



US00D975894S

(12) **United States Design Patent**
Bian et al.

(10) **Patent No.:** **US D975,894 S**
(45) **Date of Patent:** **** Jan. 17, 2023**

(54) **WORK LIGHT**

(71) Applicant: **AEC Lighting Solutions Co., Ltd,**
Shanghai (CN)

(72) Inventors: **Aixia Bian,** Shanghai (CN); **Xun Zhang,** Shanghai (CN)

(73) Assignee: **AEC Lighting Solutions Co., Ltd,**
Shanghai (CN)

(**) Term: **15 Years**

(21) Appl. No.: **29/760,380**

(22) Filed: **Dec. 1, 2020**

(30) **Foreign Application Priority Data**

Jun. 2, 2020 (CN) 202030268434.6

(51) **LOC (14) Cl.** **26-02**

(52) **U.S. Cl.**
USPC **D26/37**

(58) **Field of Classification Search**

USPC D26/24, 37-52, 60-61, 113, 138

CPC F21Y 2115/10; F21Y 2103/10; F21Y

2105/10; F21Y 2101/00; F21Y 2113/00;

F21V 21/08; F21V 21/406; F21V

21/0965; F21V 21/0885; F21V 27/005;

F21V 21/145; F21V 23/0414; F21V

15/01; F21V 14/025; F21V 5/006; F21V

14/045; F21V 21/0925; F21V 21/14;

F21V 9/083; F21L 14/023; F21L 4/00;

F21L 4/08; F21L 4/04; F21L 14/02; F21L

4/02; F21L 4/027; F21L 14/00; F21L

4/045; F21L 4/085; F21W 2111/10

See application file for complete search history.

(56) **References Cited**

U.S. PATENT DOCUMENTS

D814,679 S * 4/2018 Pan D26/63

D893,069 S * 8/2020 Bertken D26/37

D903,175 S * 11/2020 Lei D26/63

D919,144 S * 5/2021 Gao D26/39

D930,201 S * 9/2021 Shang D26/37

D930,865 S * 9/2021 Shang D26/37

D948,763 S * 4/2022 Petzl D26/39

FOREIGN PATENT DOCUMENTS

CN 304994505 * 1/2019

* cited by examiner

Primary Examiner — Marissa J Cash

Assistant Examiner — William B Melliar

(74) *Attorney, Agent, or Firm* — Jade IP Consulting;
Victoria Jade Bennett

(57) **CLAIM**

The ornamental design for a work light, as shown and described.

DESCRIPTION

FIG. 1 is a perspective view of a work light showing our new design;

FIG. 2 is a right side view thereof;

FIG. 3 is a left side view thereof;

FIG. 4 is a top plan view thereof;

FIG. 5 is a bottom plan view thereof;

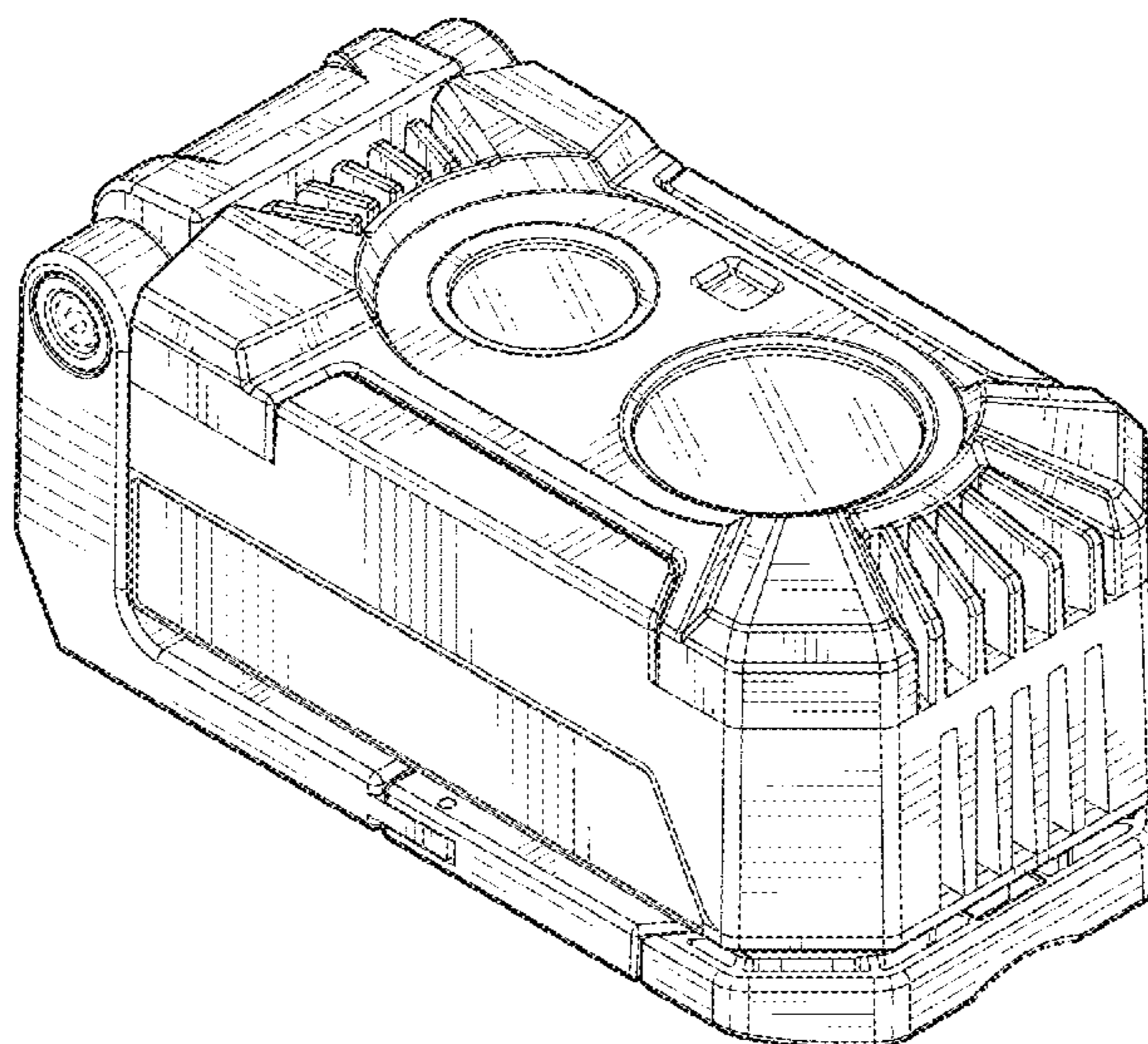
FIG. 6 is a front view thereof;

FIG. 7 is a rear view thereof; and,

FIG. 8 is a perspective view of the work light shown in an environment of use, having a light cover attached thereon.

The dashed broken lines in the figures illustrate the portions of the design that form no part of the claimed design. The additional broken lines in FIG. 8 showing the light cover depict environment and form no part thereof.

1 Claim, 5 Drawing Sheets



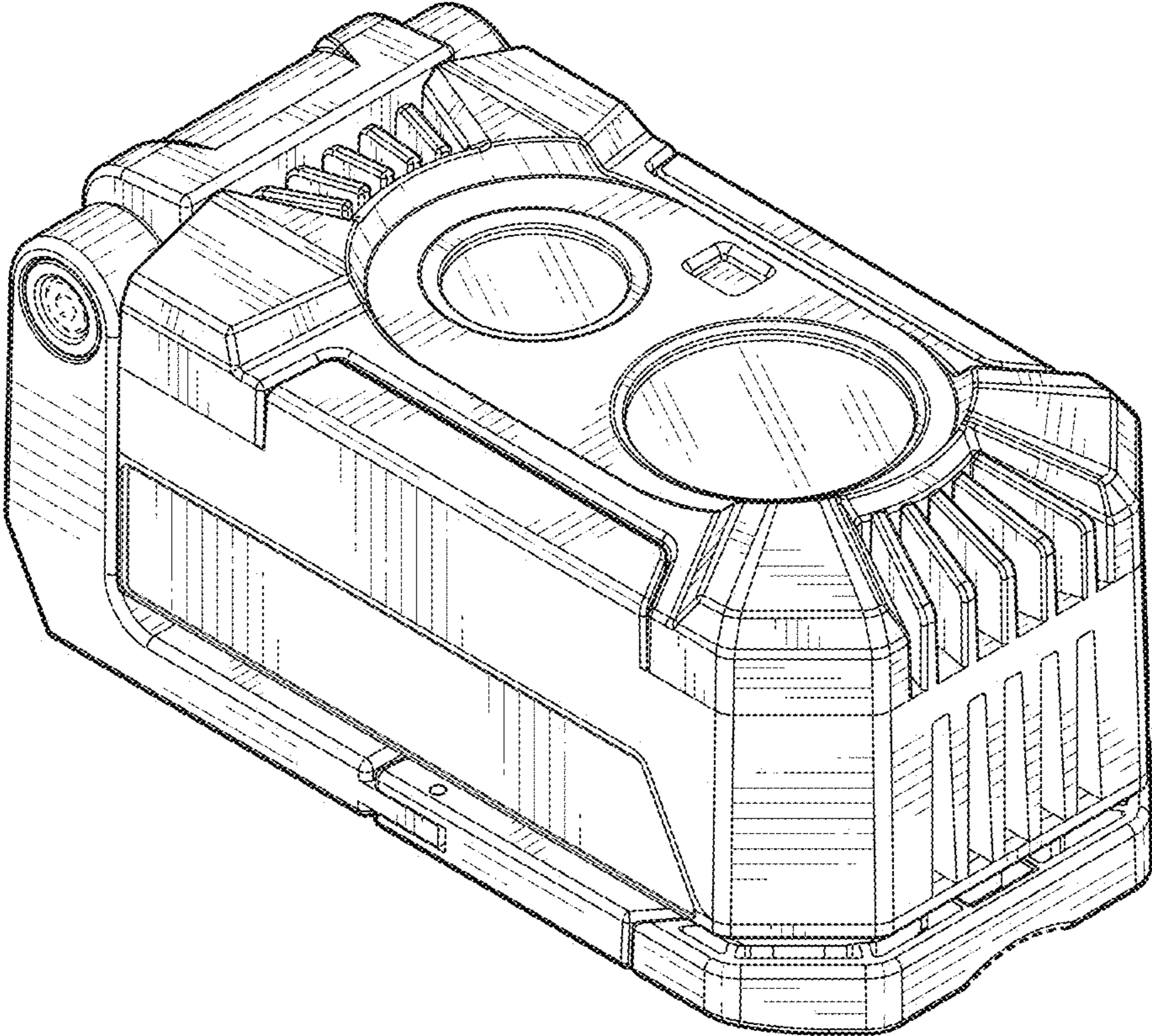


FIG. 1

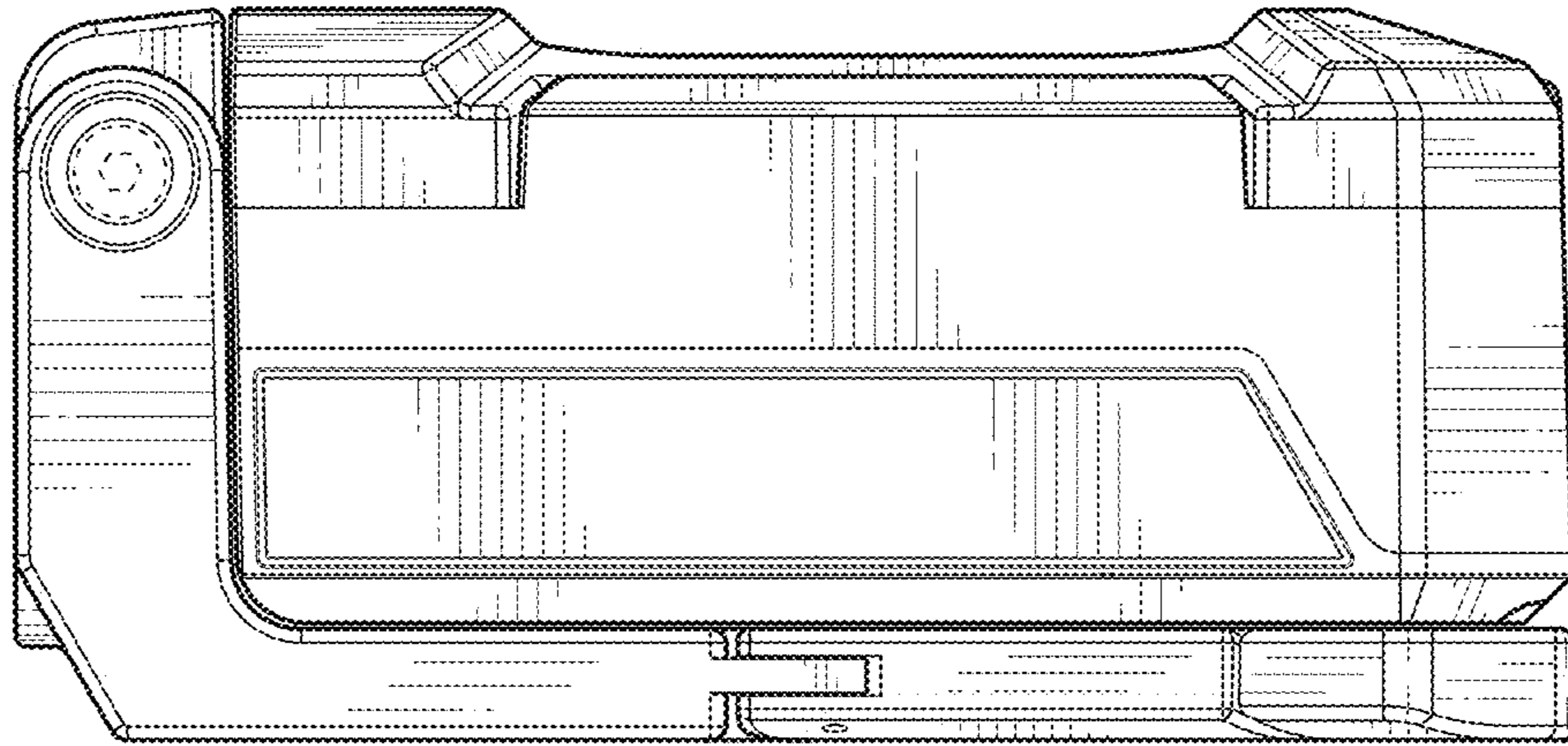


FIG. 2

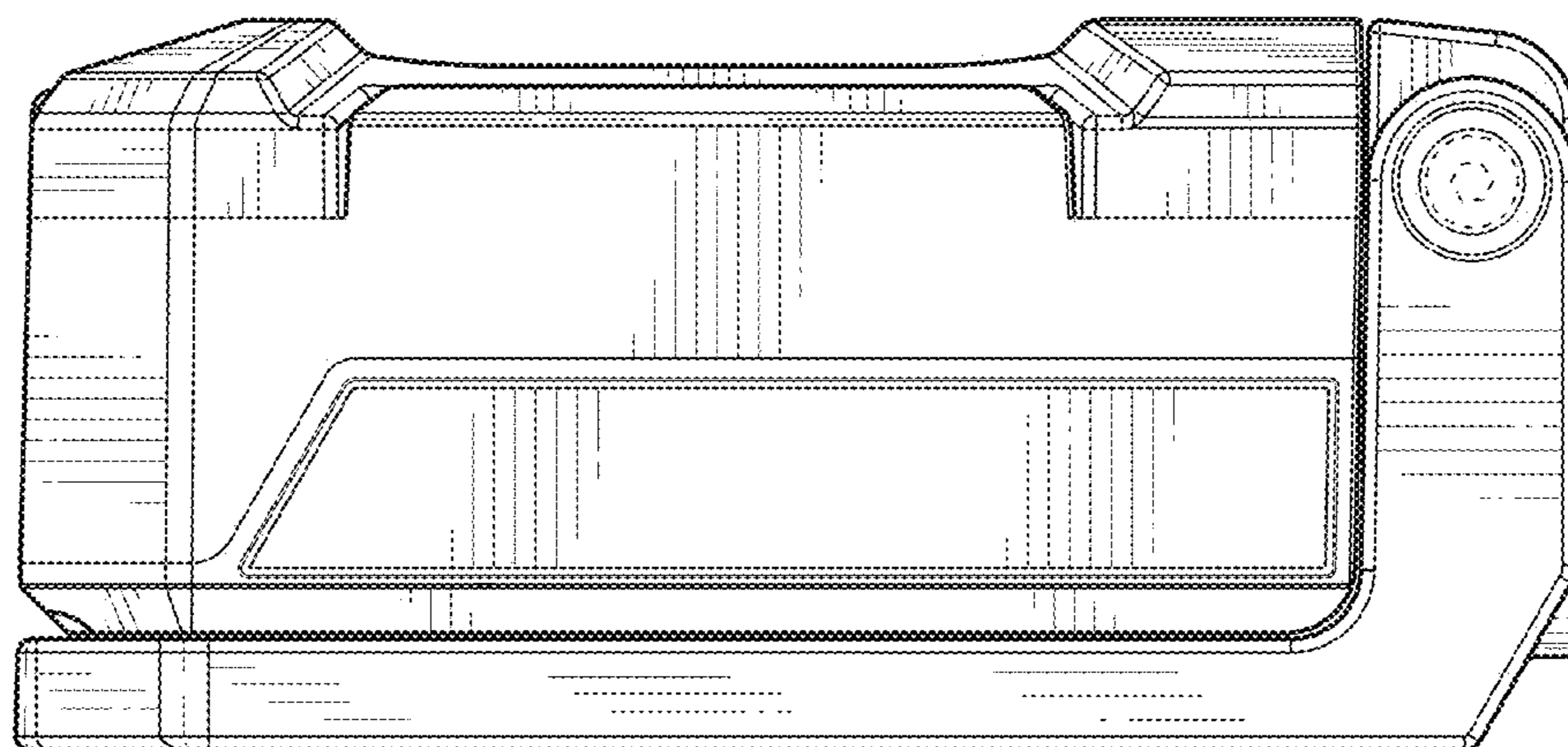


FIG. 3

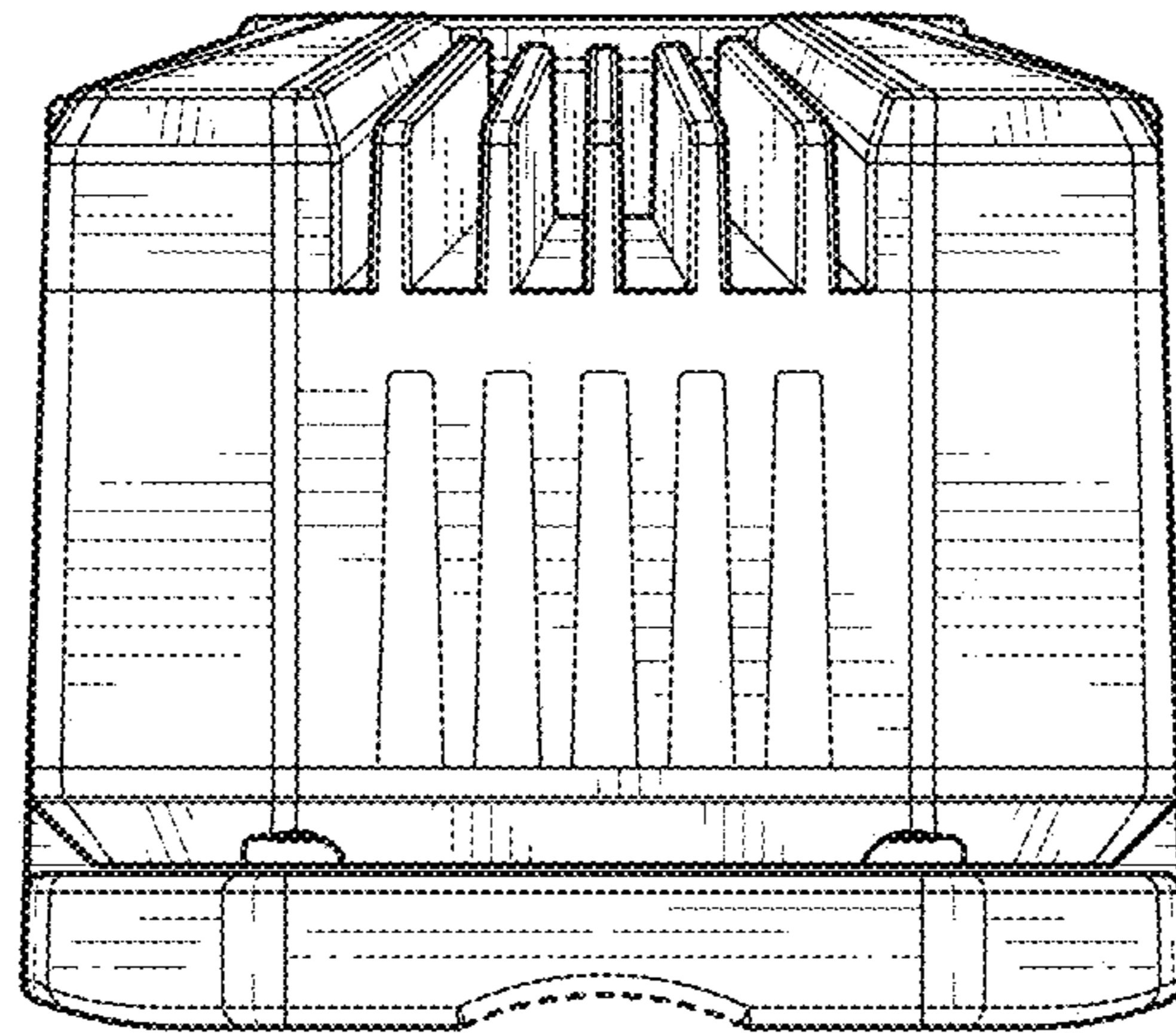


FIG. 4

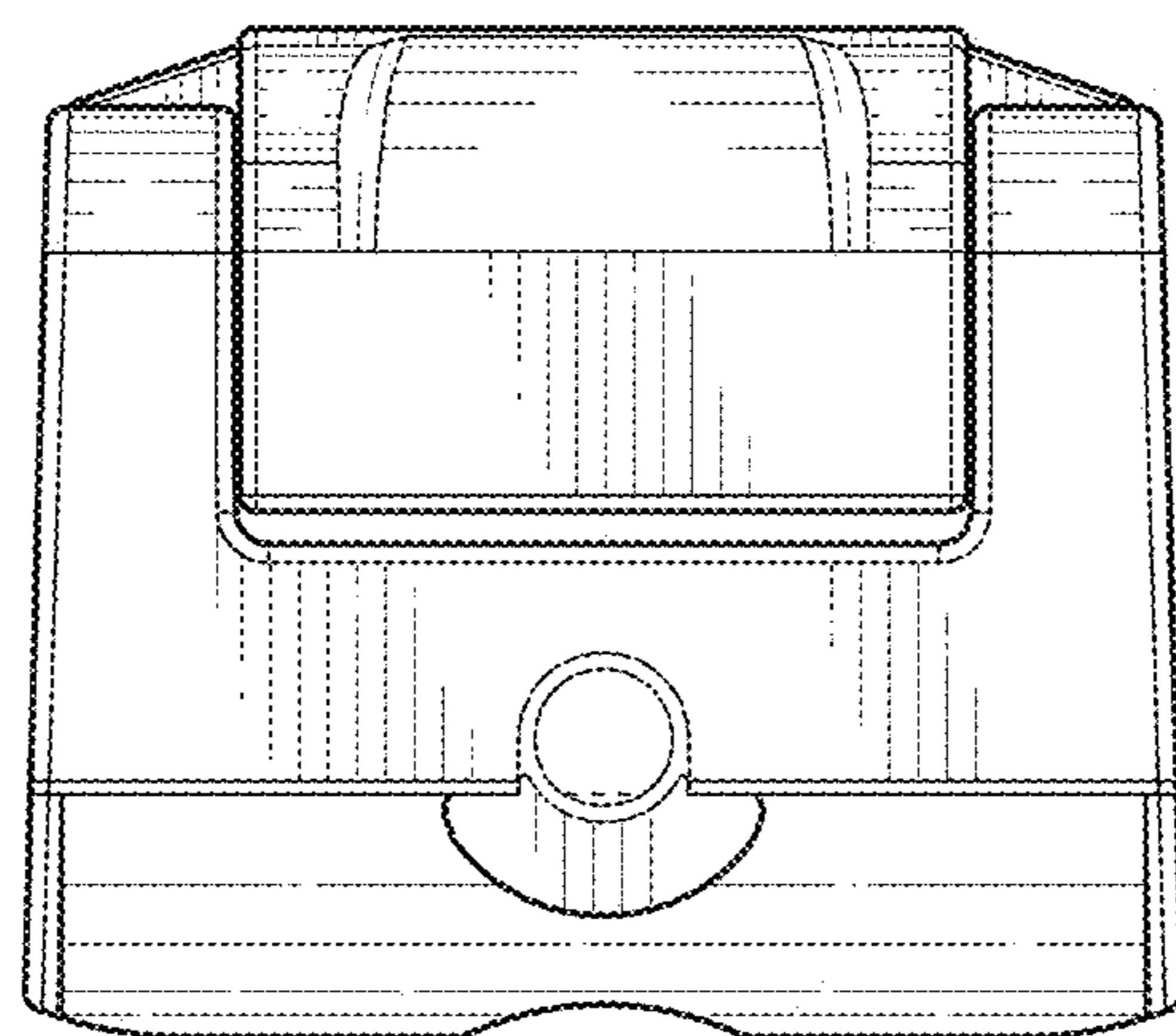


FIG. 5

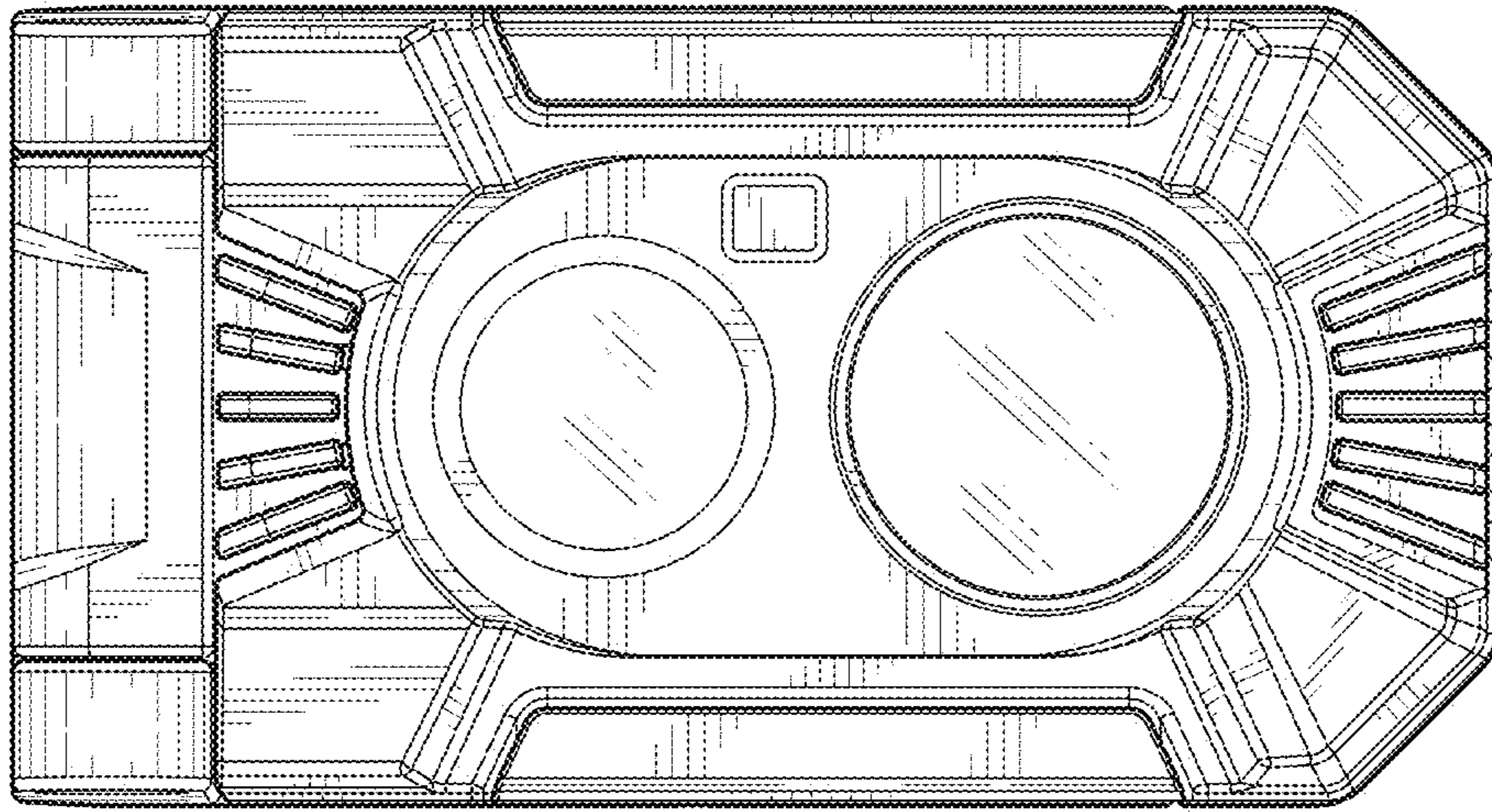


FIG. 6

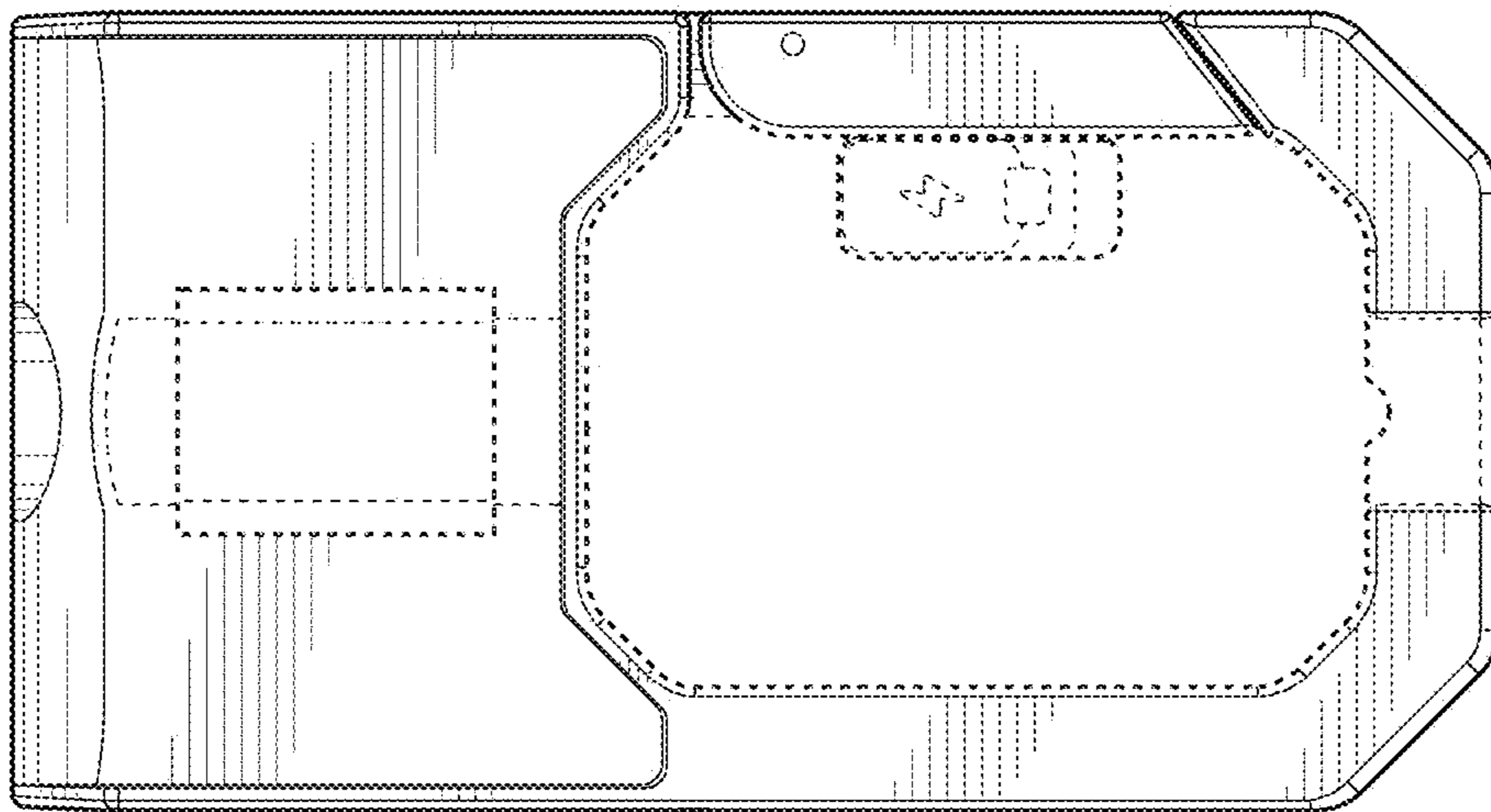


FIG. 7

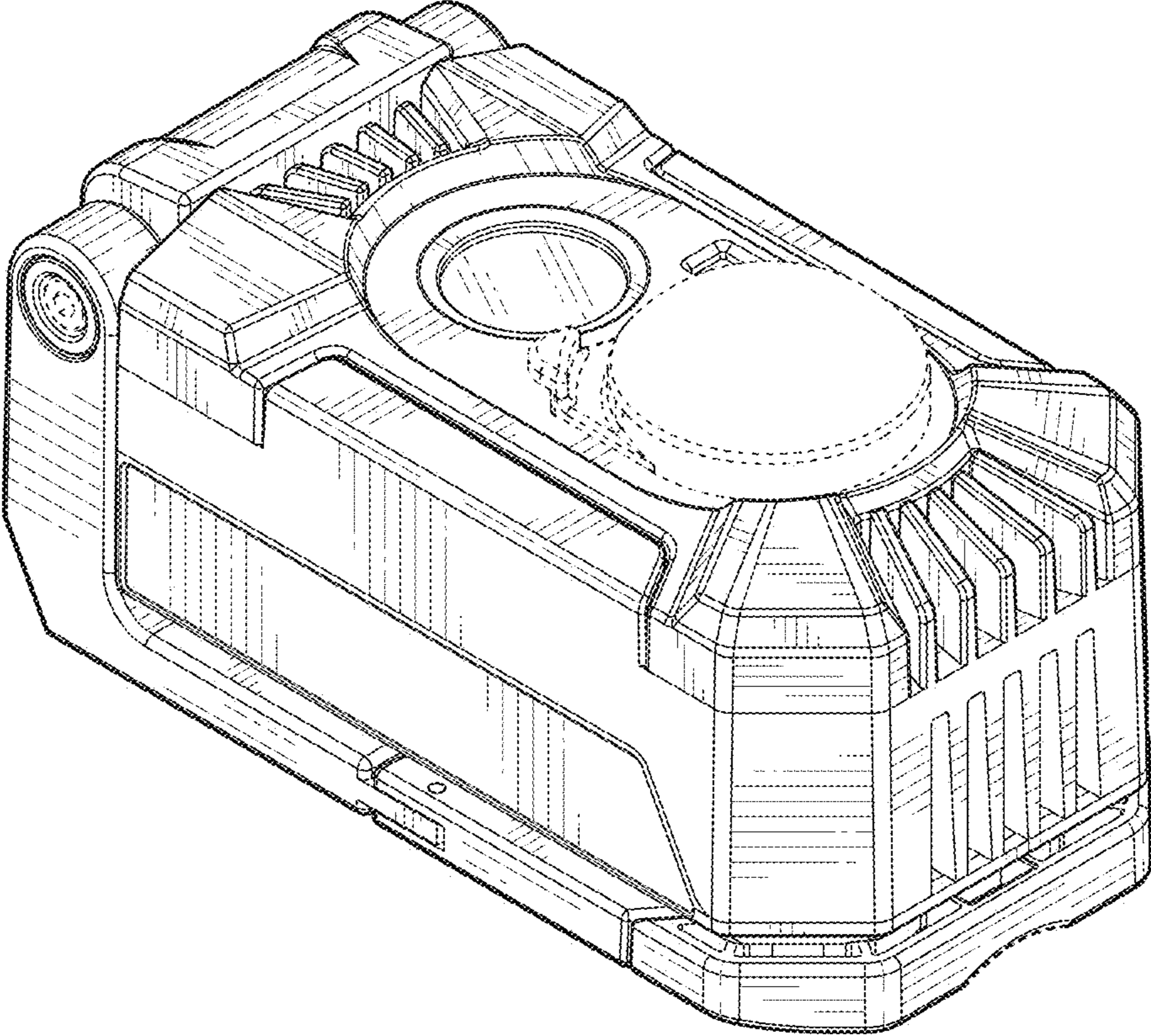


FIG. 8