



US00D975892S

(12) **United States Design Patent** (10) **Patent No.:** **US D975,892 S**
Wu (45) **Date of Patent:** **** Jan. 17, 2023**

(54) **VEHICLE LIGHT**
(71) Applicant: **COPLUS INC.**, Tainan (TW)
(72) Inventor: **Po-Hua Wu**, Tainan (TW)
(73) Assignee: **COPLUS INC.**, Tainan (TW)
(**) Term: **15 Years**
(21) Appl. No.: **29/758,110**
(22) Filed: **Nov. 12, 2020**

D735,916 S * 8/2015 Grake D26/28
D761,981 S 7/2016 Tsutamori
D796,709 S 9/2017 Lai
D797,332 S 9/2017 Lin
D830,591 S 10/2018 Lai
D838,019 S 1/2019 Lin
D838,020 S 1/2019 Lin
D853,000 S * 7/2019 Lin D26/28
D854,202 S * 7/2019 Lin D26/28
D862,752 S * 10/2019 Lai D26/28
D870,936 S 12/2019 Wu
D875,975 S * 2/2020 Lin D26/28
D882,134 S * 4/2020 Wu D26/28
D887,050 S 6/2020 Lin
D893,776 S * 8/2020 Lin D26/28
D912,859 S * 3/2021 Wu D26/28

(Continued)

Related U.S. Application Data

(63) Continuation of application No. 29/666,678, filed on Oct. 15, 2018, now Pat. No. Des. 912,859.

Foreign Application Priority Data

(30) Apr. 30, 2018 (TW) 107302411

(51) **LOC (14) Cl.** **26-06**

(52) **U.S. Cl.**
USPC **D26/28**

(58) **Field of Classification Search**
USPC D26/28, 29, 30, 31, 32, 33, 34, 35, 36
CPC F21W 2103/35; F21W 2103/40; F21W 2102/17; F21W 2102/30; F21W 2103/00; F21W 2103/55; F21W 2104/00; F21W 2107/17; F21W 2107/13; F21V 21/04; F21S 41/00; F21S 41/141; F21S 41/162; F21S 41/18; F21S 41/20; F21S 41/33; F21S 41/36; F21S 41/60; F21S 43/00
See application file for complete search history.

References Cited

U.S. PATENT DOCUMENTS

D691,755 S 10/2013 Lai
D691,756 S 10/2013 Lai
D691,757 S 10/2013 Lai

FOREIGN PATENT DOCUMENTS

TW 196002-0001 * 2/2019

Primary Examiner — Angela J Lee

(74) *Attorney, Agent, or Firm* — Lewis Roca Rothgerber Christie LLP

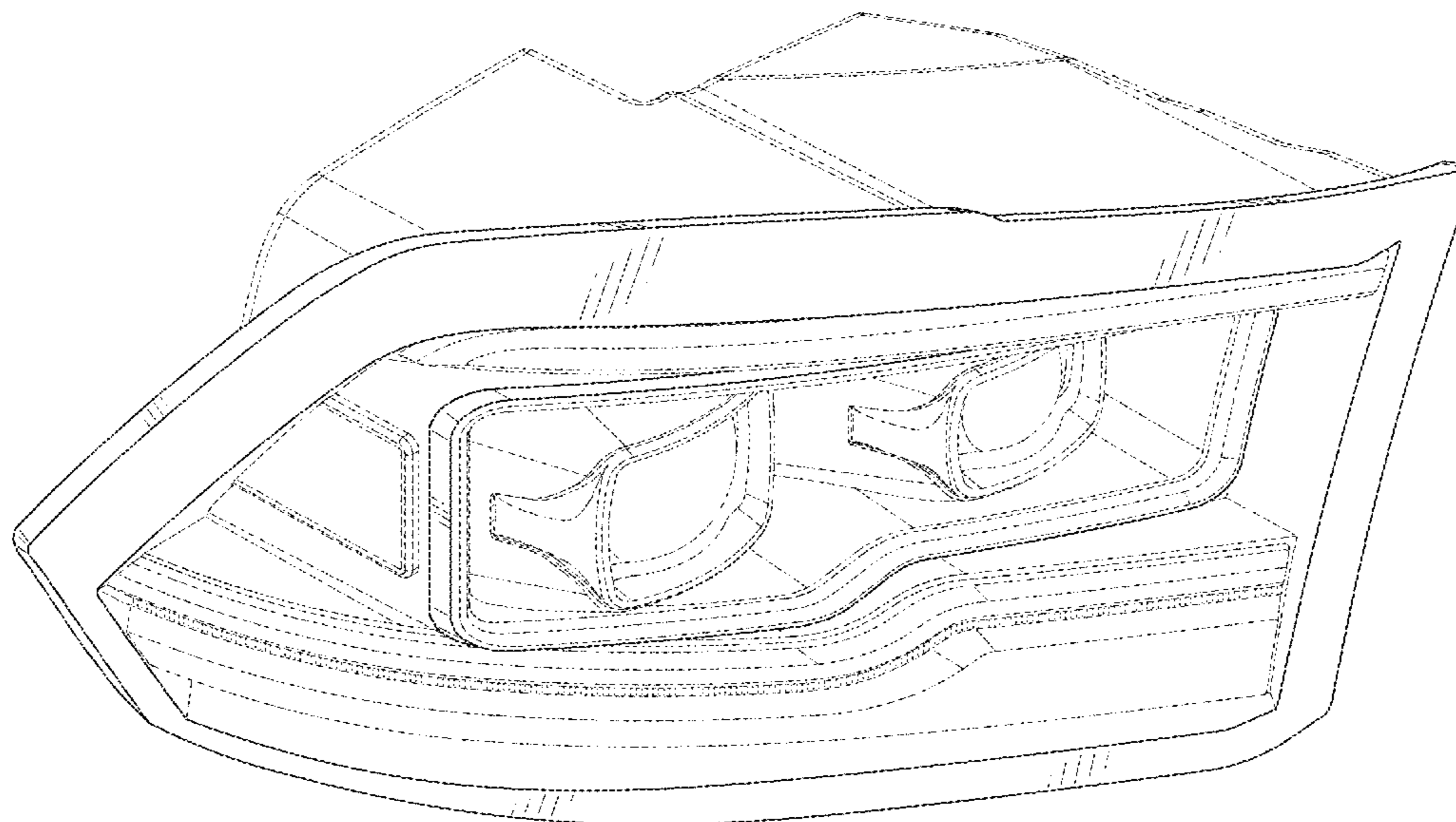
(57) **CLAIM**

The ornamental design for vehicle light, as shown and described.

DESCRIPTION

FIG. 1 is a perspective view of a vehicle light showing my new design;
FIG. 2 is a front elevational view thereof;
FIG. 3 is a rear elevational view thereof;
FIG. 4 is a left side elevational view thereof;
FIG. 5 is a right side elevational view thereof;
FIG. 6 is a top plan view thereof; and,
FIG. 7 is a bottom plan view thereof.
The broken lines depict portions of the vehicle light in which the design is embodied that form no part of the claimed design.

1 Claim, 7 Drawing Sheets



(56)

References Cited

U.S. PATENT DOCUMENTS

D921,941 S	*	6/2021	Lin	D26/28
D921,942 S	*	6/2021	Lin	D26/28
D935,650 S	*	11/2021	Wu	D26/28
D943,124 S	*	2/2022	Lin	D26/28

* cited by examiner

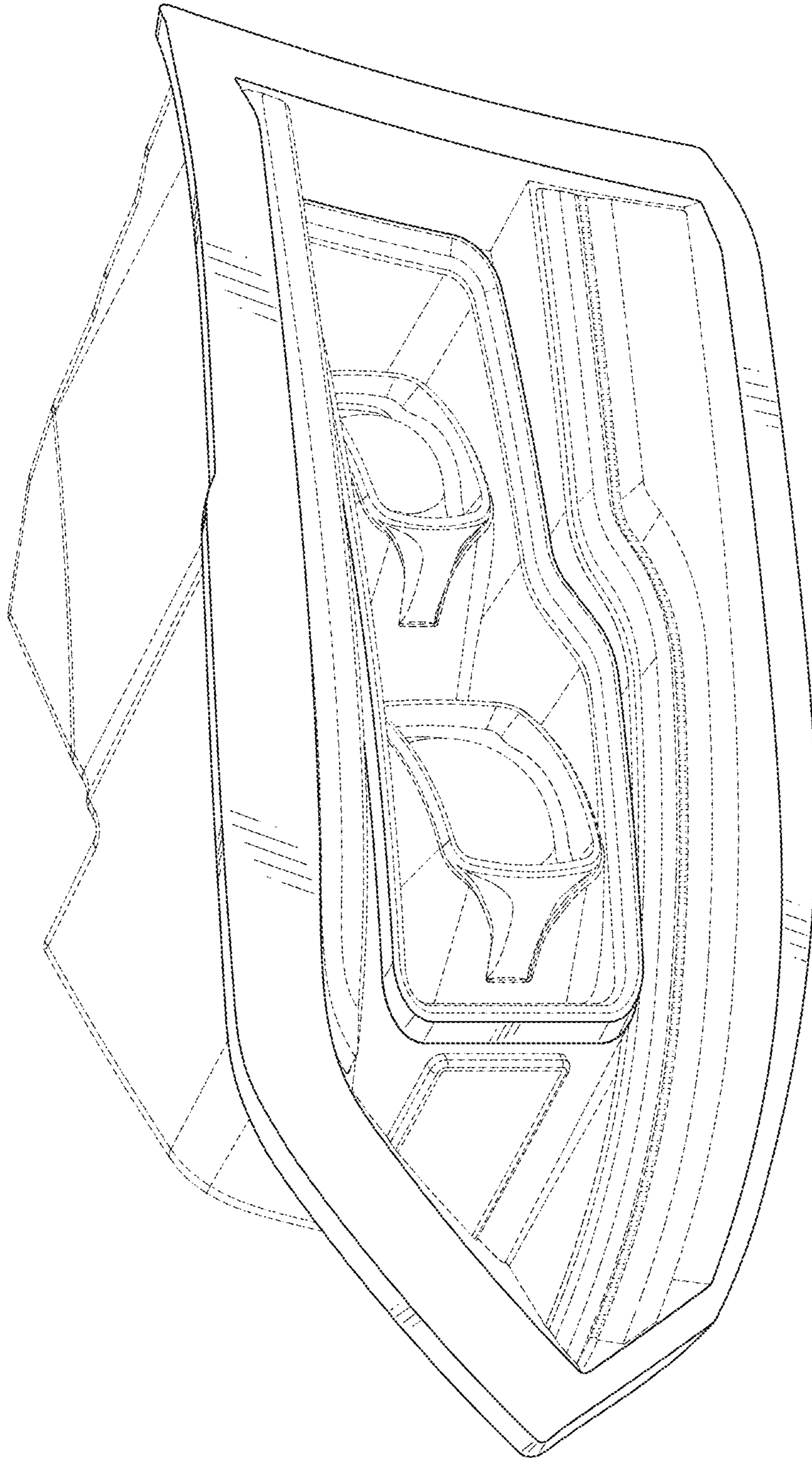


FIG. 1

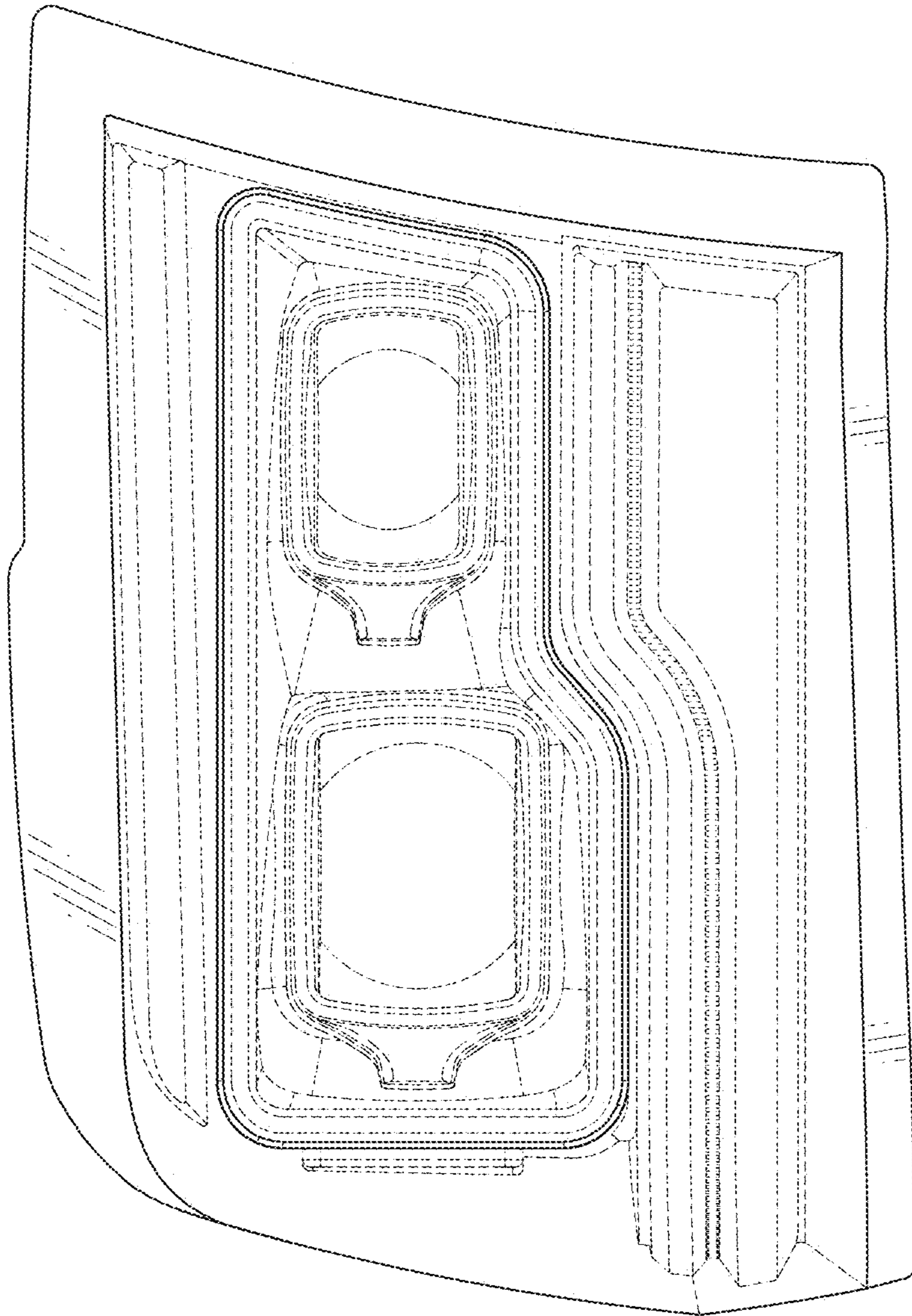


FIG.2

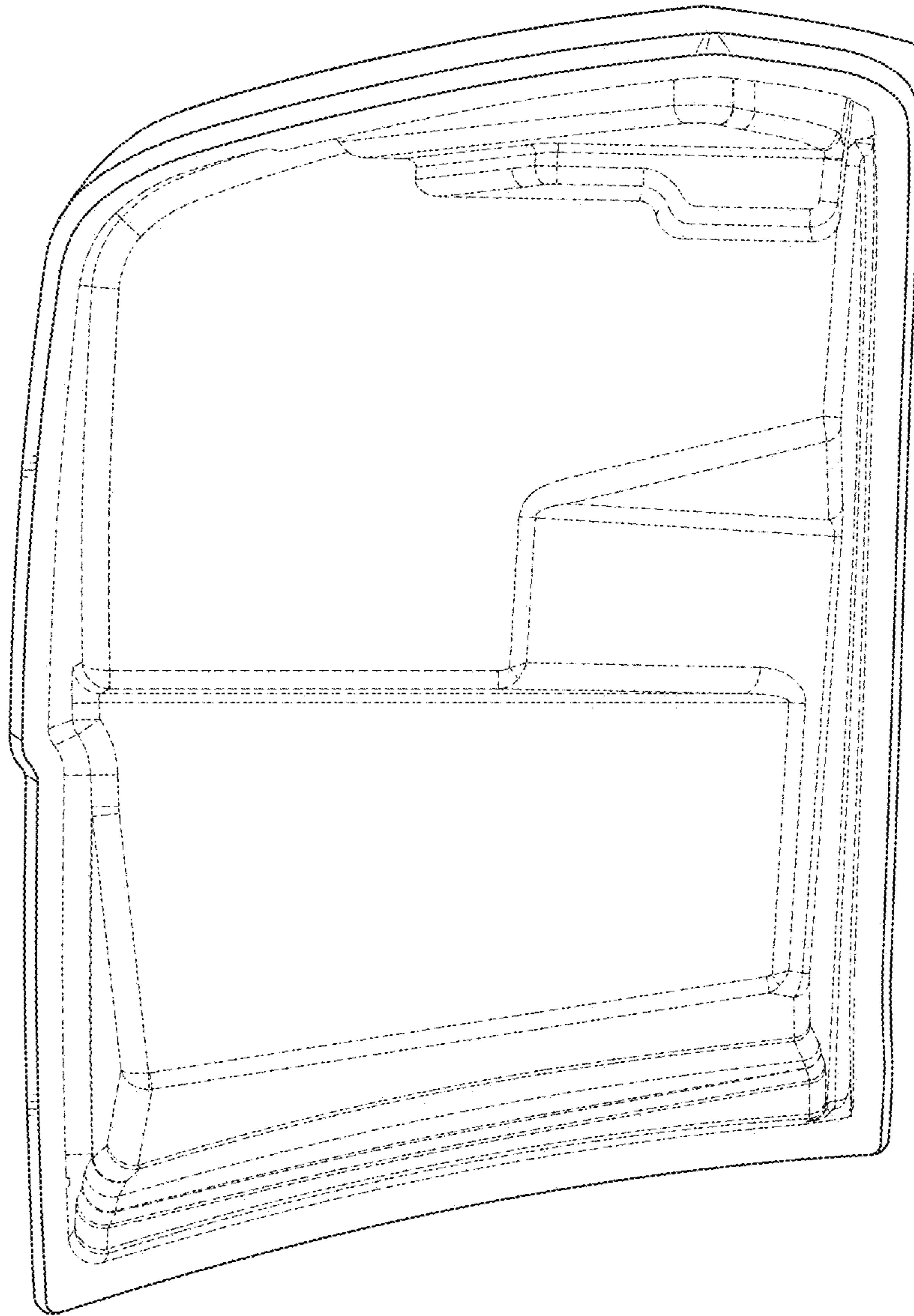


FIG.3

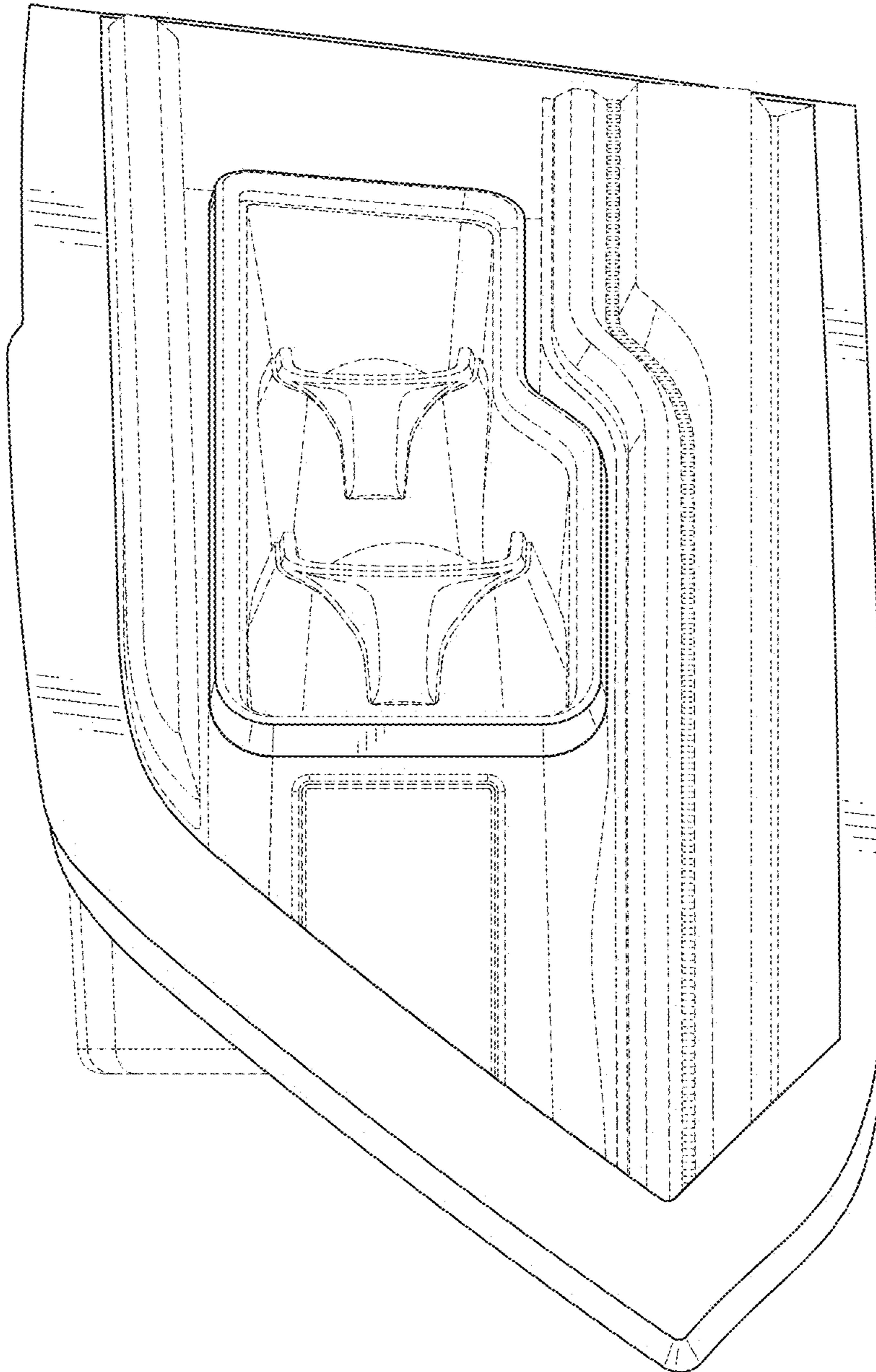


FIG.4

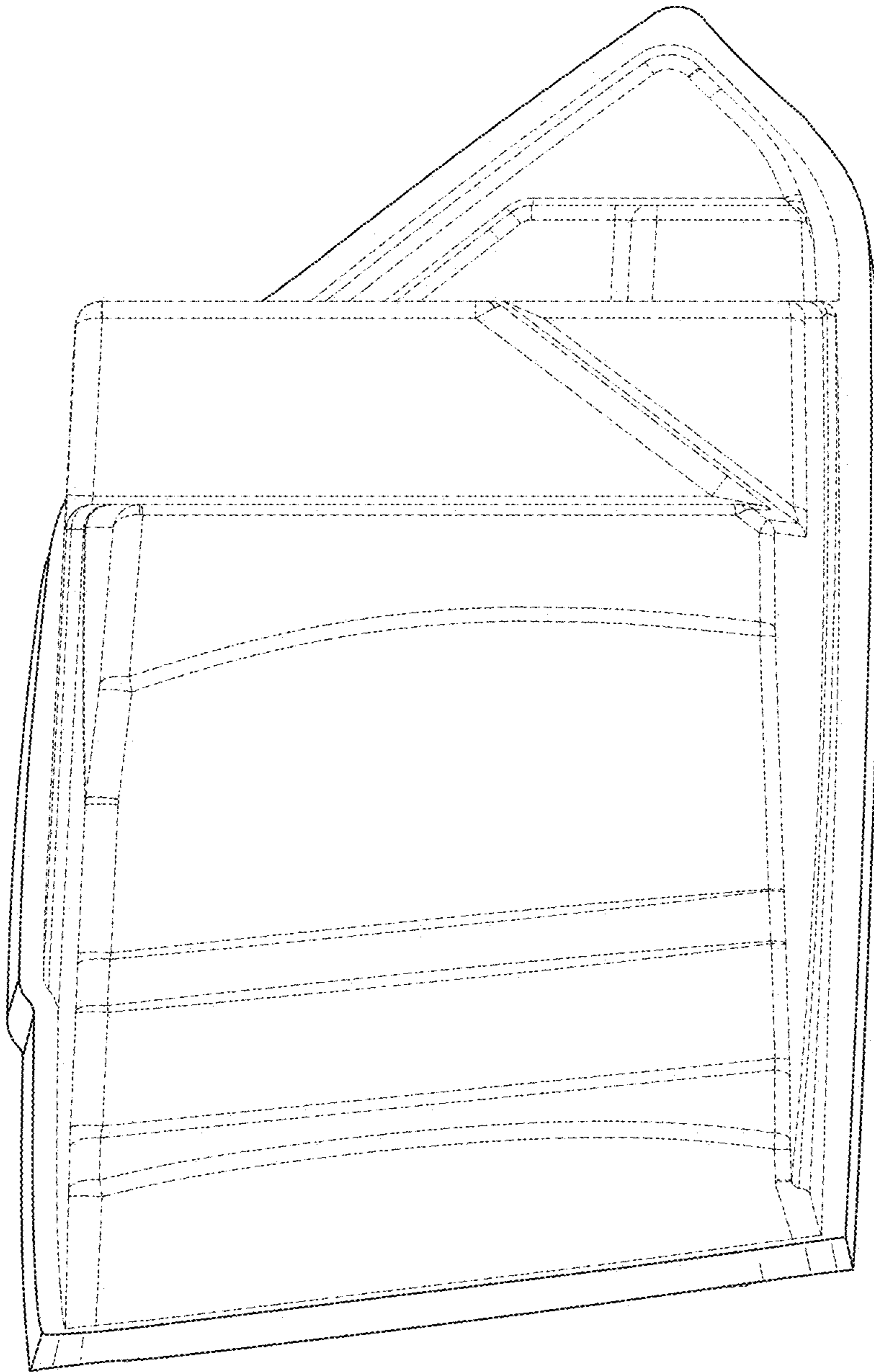


FIG. 5

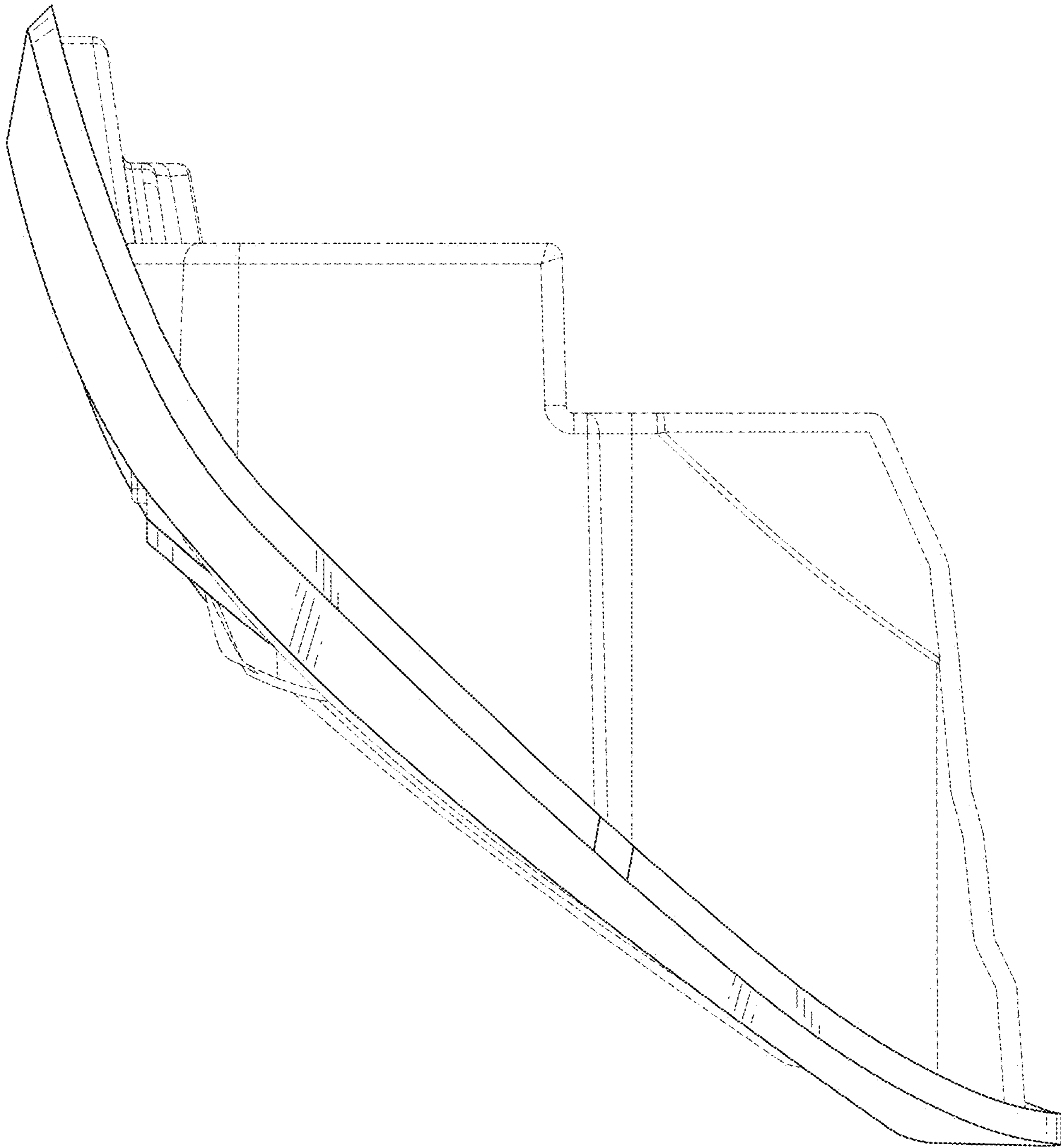


FIG.6

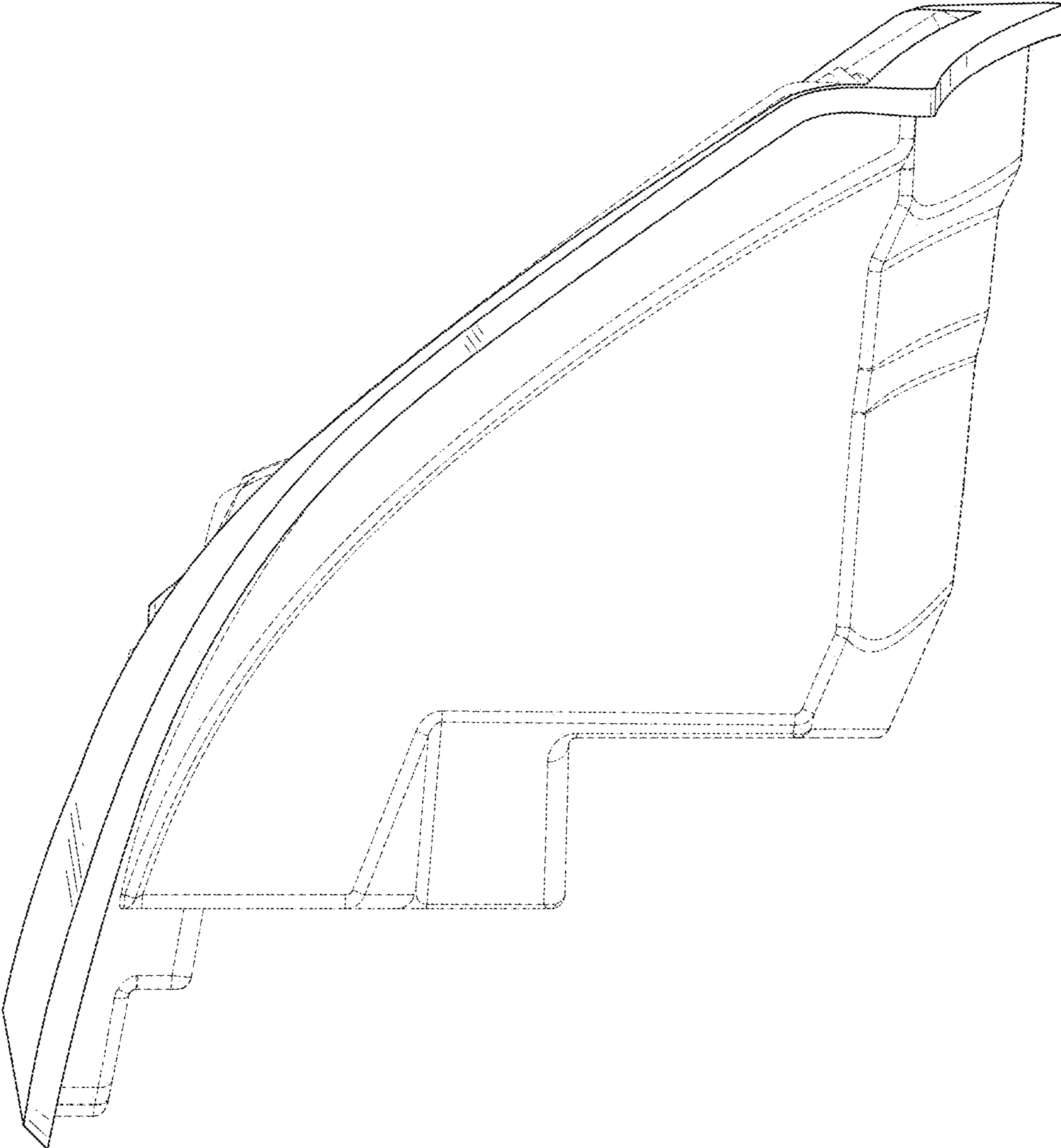


FIG. 7