



US00D975890S

(12) **United States Design Patent**
Chen

(10) **Patent No.:** **US D975,890 S**

(45) **Date of Patent:** **** *Jan. 17, 2023**

(54) **3D NIGHT LIGHT**

(71) Applicant: **Jianjun Chen**, Hubei (CN)

(72) Inventor: **Jianjun Chen**, Hubei (CN)

(*) Notice: This patent is subject to a terminal disclaimer.

(**) Term: **15 Years**

(21) Appl. No.: **29/735,280**

(22) Filed: **May 20, 2020**

(51) **LOC (14) Cl.** **26-05**

(52) **U.S. Cl.**
USPC **D26/26**

(58) **Field of Classification Search**
USPC D26/26, 24, 113, 118, 119, 120, 37, 49;
D23/366, 367, 369; 362/640, 641, 642,
362/643, 644, 650, 651, 652, 653, 659
CPC F21S 8/035; F21V 23/06; F21V 23/0442;
F21W 2121/00; H01R 2103/00
See application file for complete search history.

(56) **References Cited**

U.S. PATENT DOCUMENTS

D270,095 S * 8/1983 Palmer D26/26
D417,022 S * 11/1999 Chiu D26/49

D574,528 S * 8/2008 Witte D26/37
D578,687 S * 10/2008 Hong D26/37
D602,615 S * 10/2009 Liu D26/37
D642,301 S * 7/2011 Rothman D26/26
D647,227 S * 10/2011 Kaule D26/24
D716,982 S * 11/2014 Corey D26/49
D810,970 S * 2/2018 Thompson D26/26
D882,135 S * 4/2020 Cheng D26/37
D882,840 S * 4/2020 Liu D26/49
D933,274 S * 10/2021 Davidson D26/49

* cited by examiner

Primary Examiner — Angela J Lee

(74) *Attorney, Agent, or Firm* — Justin Lampel

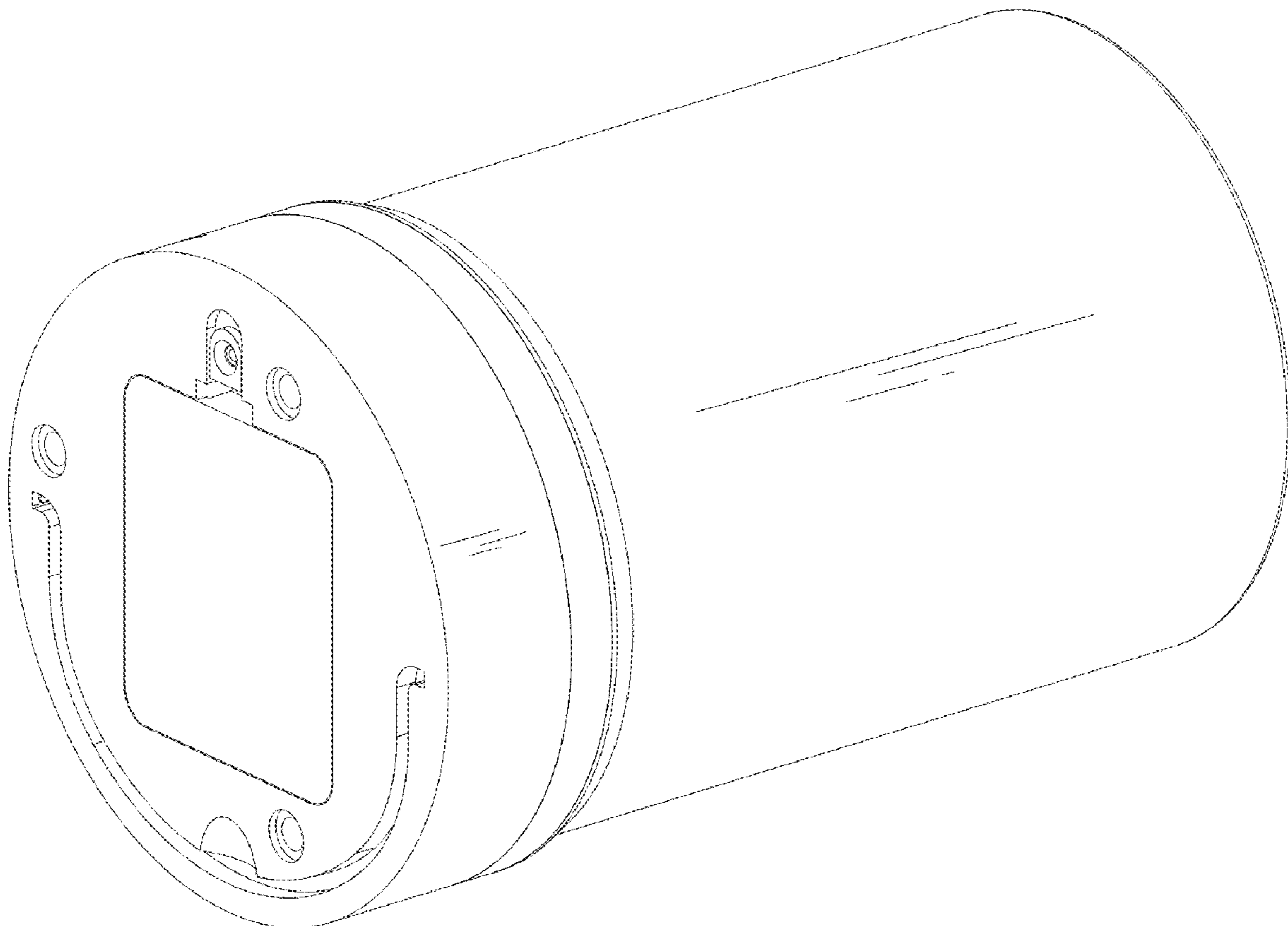
(57) **CLAIM**

The ornamental design for a 3D night light, as shown and described.

DESCRIPTION

FIG. 1 is a perspective view of a 3D night light showing the claimed design;
FIG. 2 is a top plan view thereof;
FIG. 3 is a rear elevational view thereof;
FIG. 4 is a left side view thereof;
FIG. 5 is a front elevational view thereof;
FIG. 6 is a right side view thereof; and,
FIG. 7 is a bottom plan view thereof.
The broken lines illustrate portions of the 3D night light that form no part of the claimed design.

1 Claim, 7 Drawing Sheets



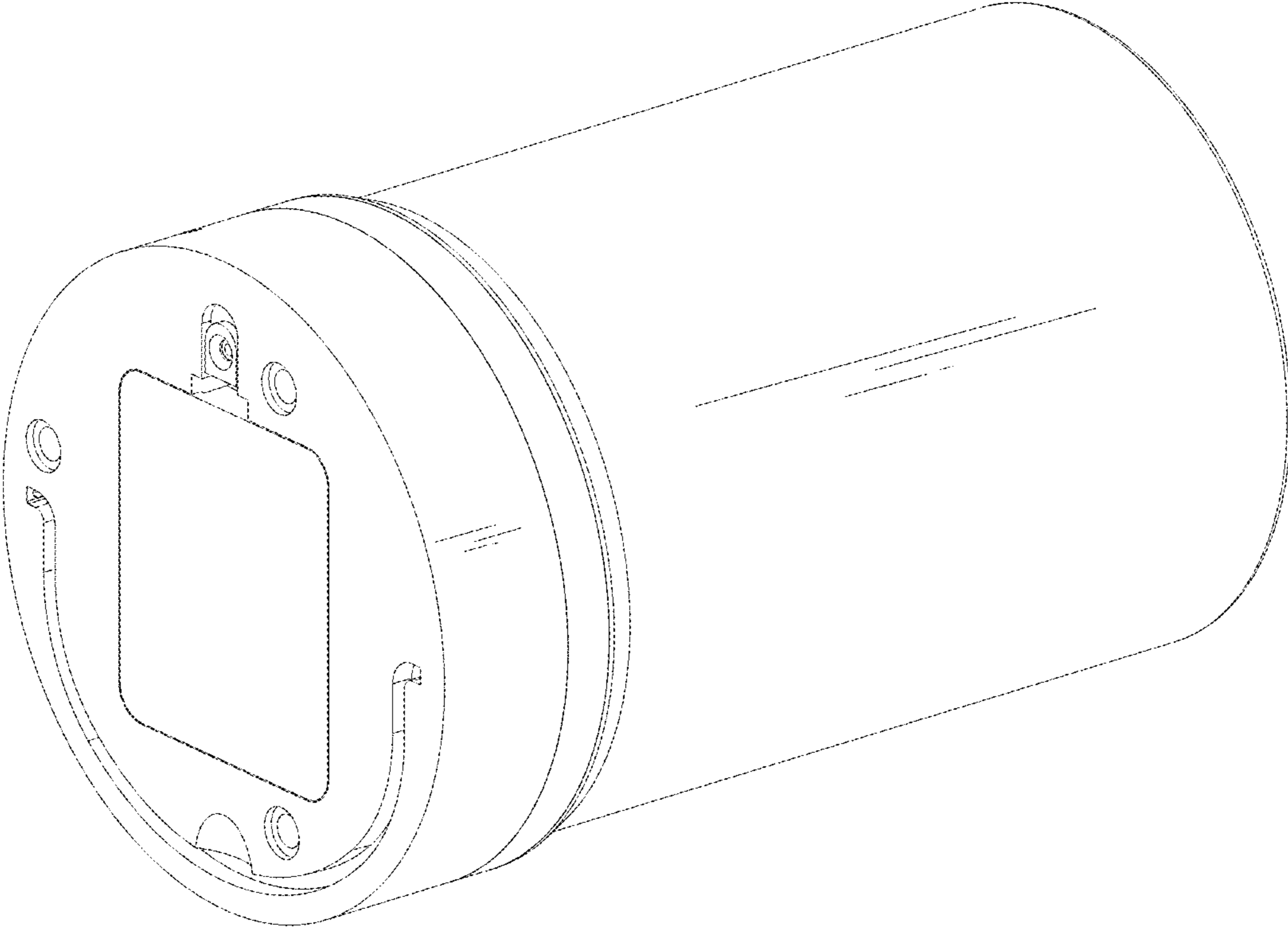


FIG.1

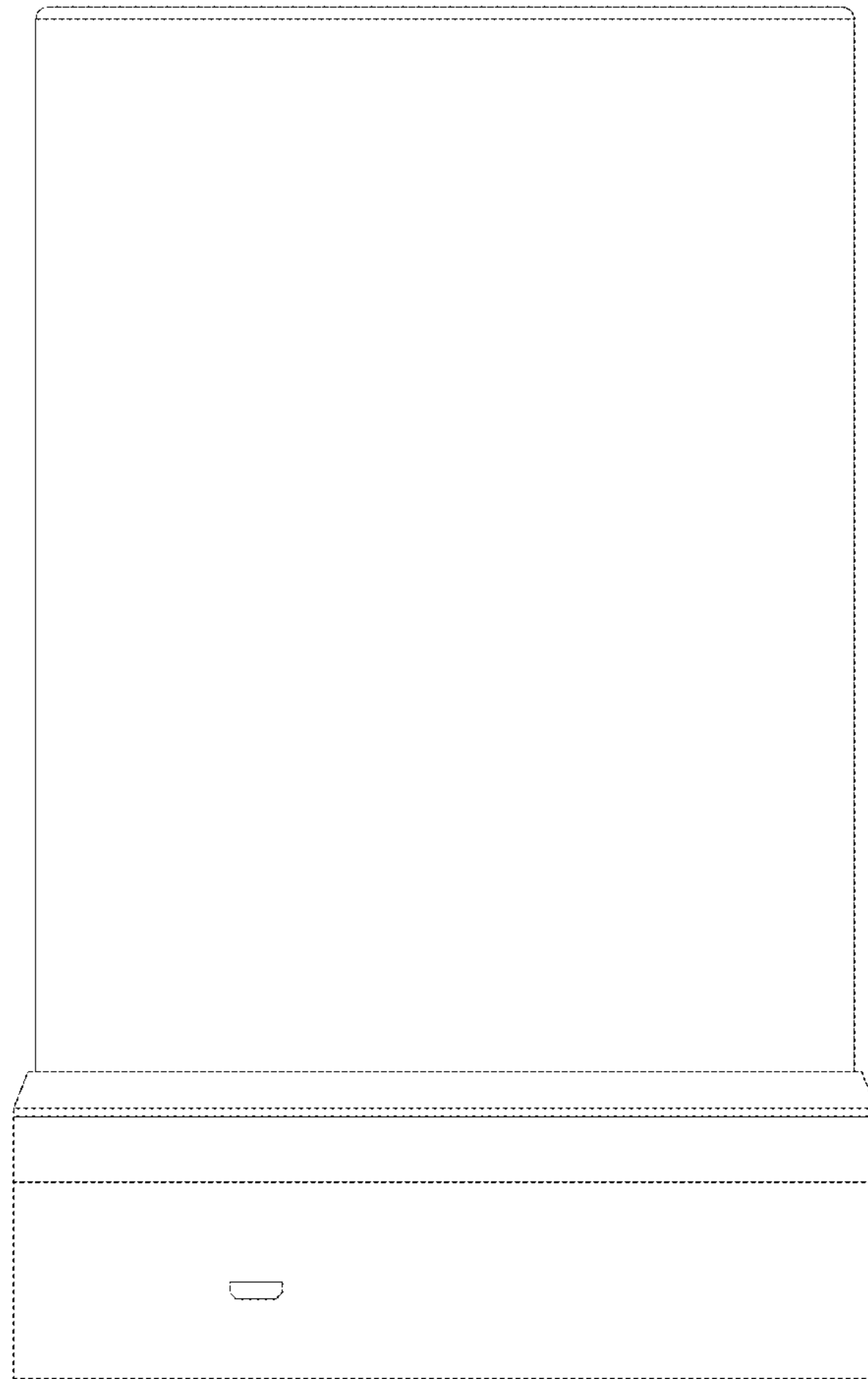


FIG. 2

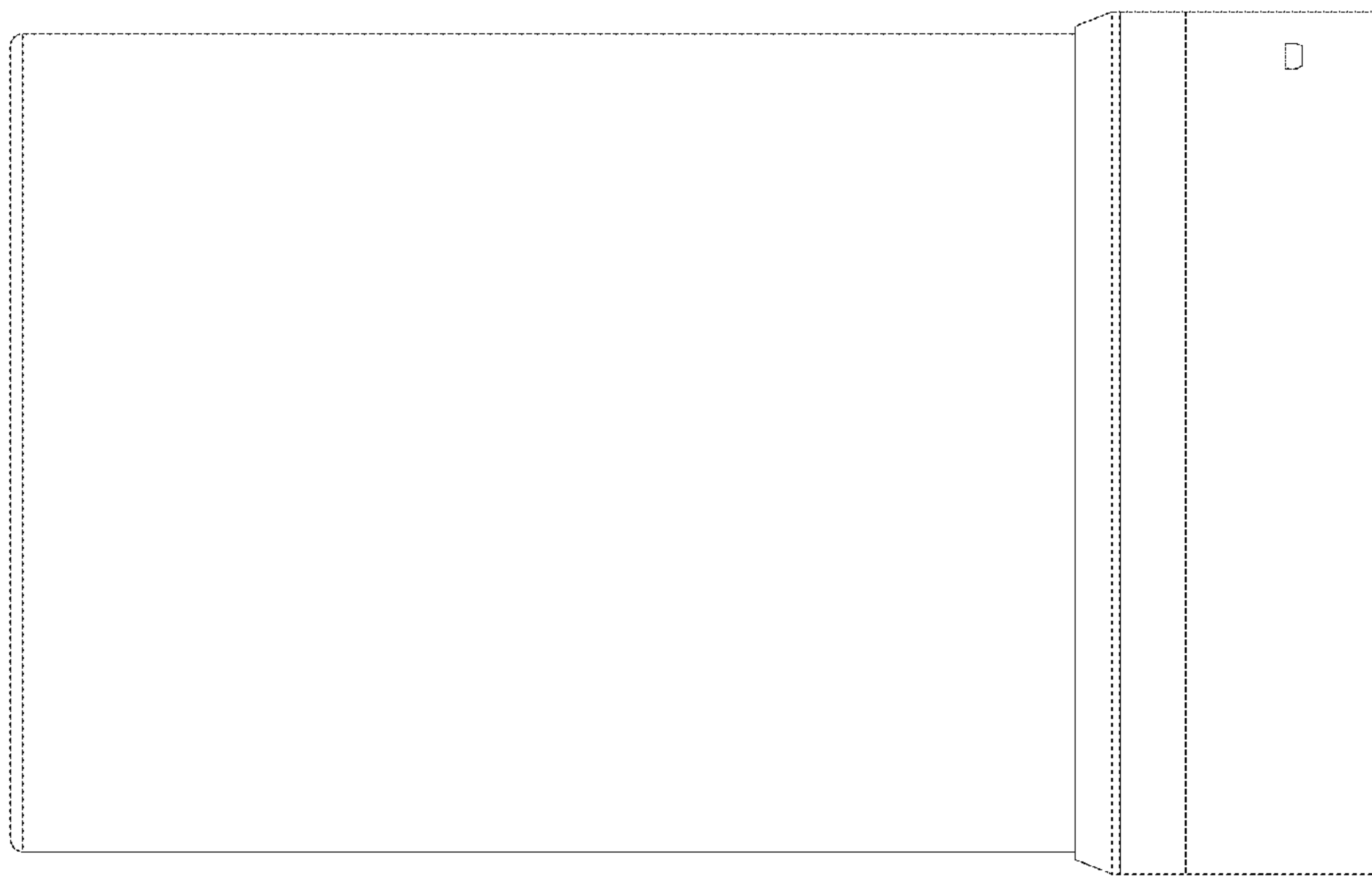


FIG. 3

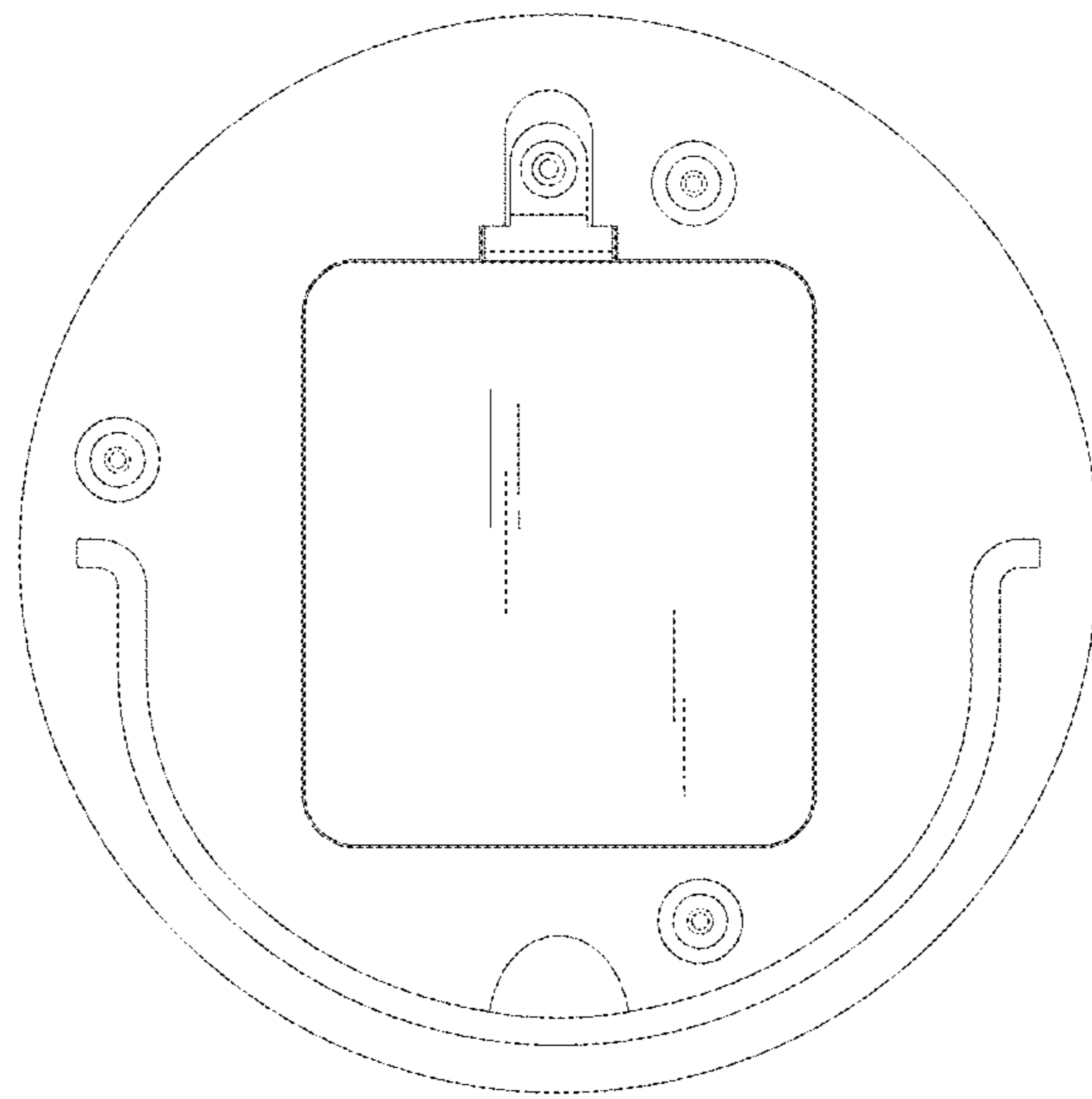


FIG. 4

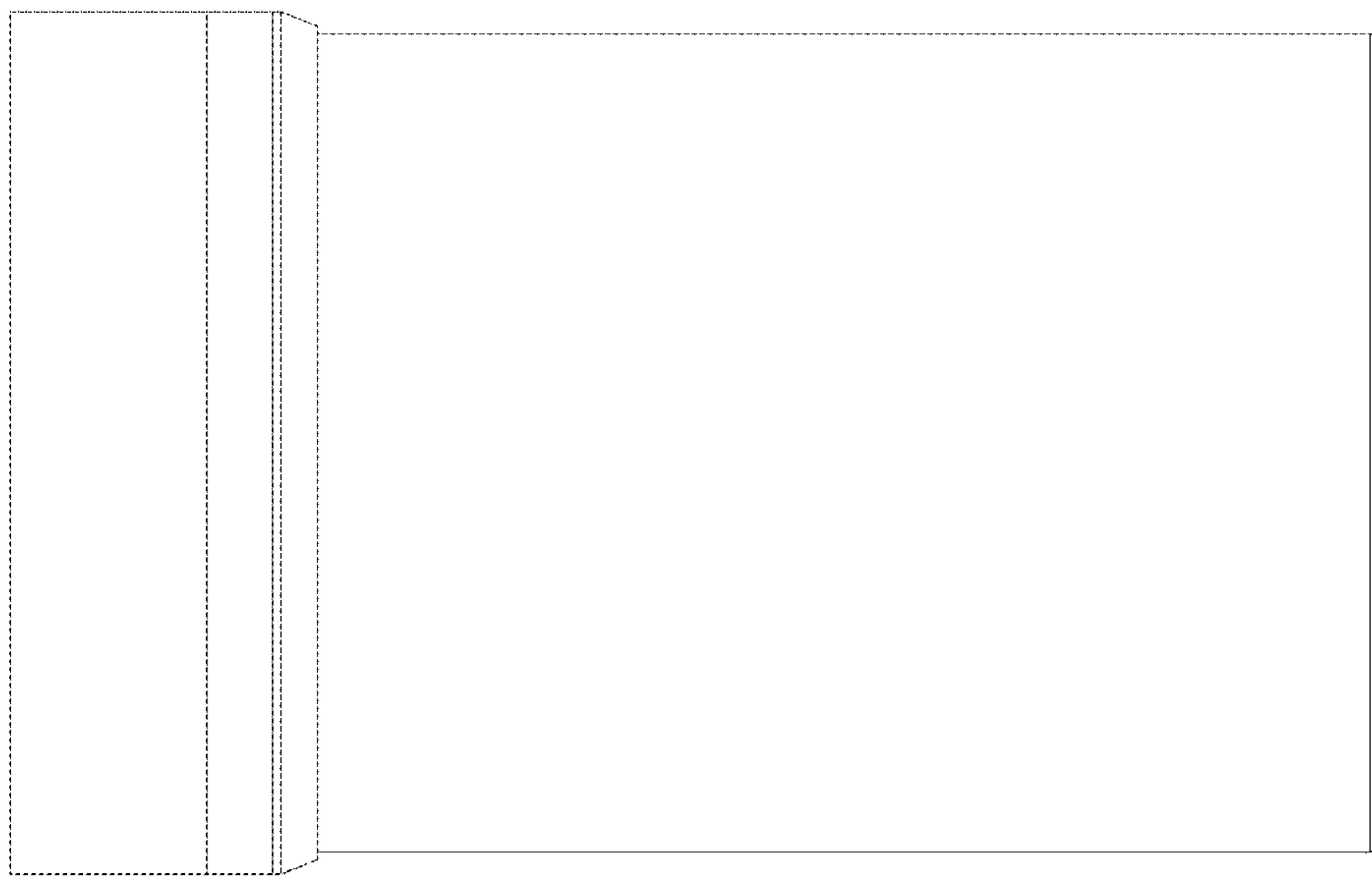


FIG. 5

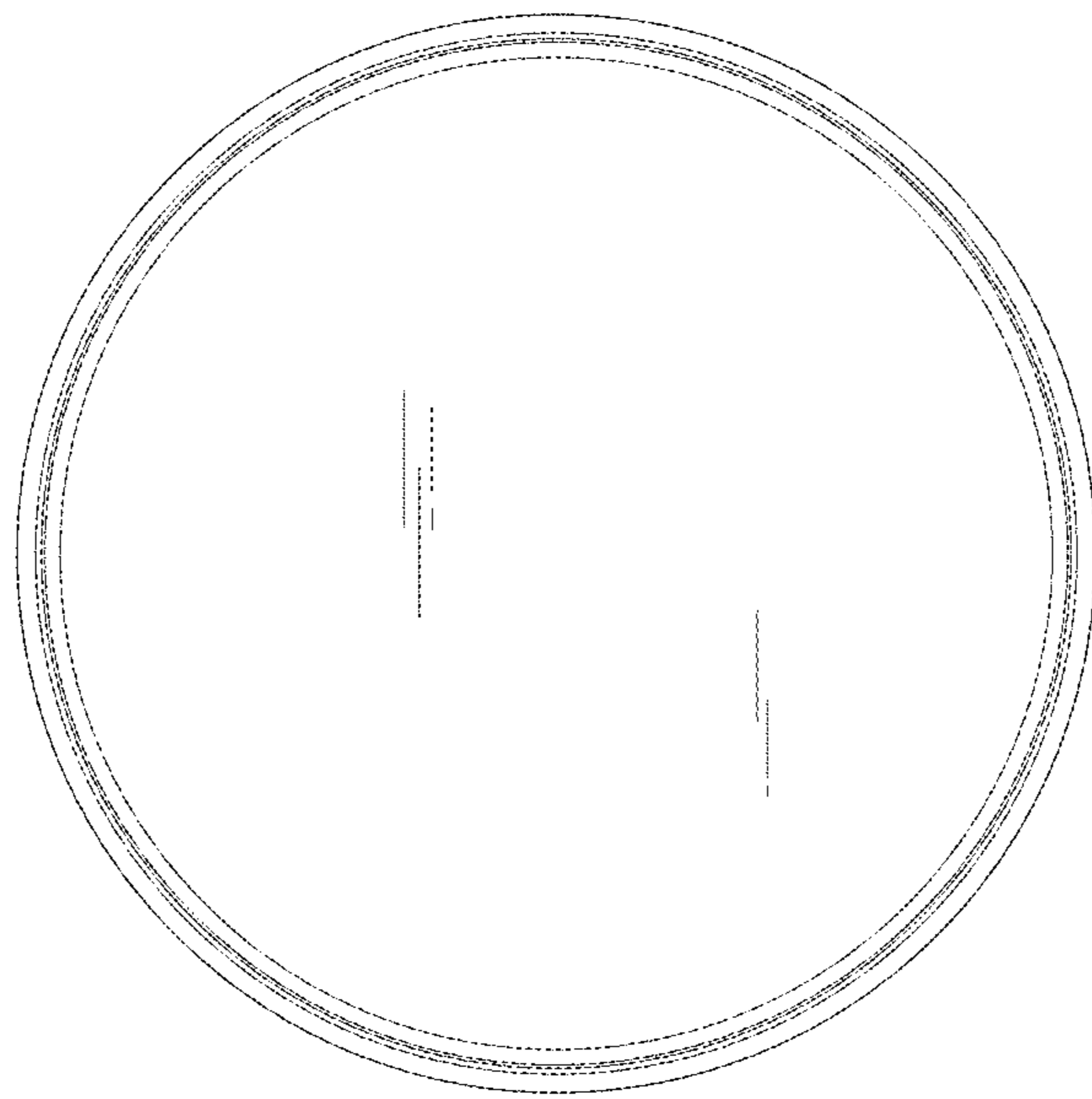


FIG. 6

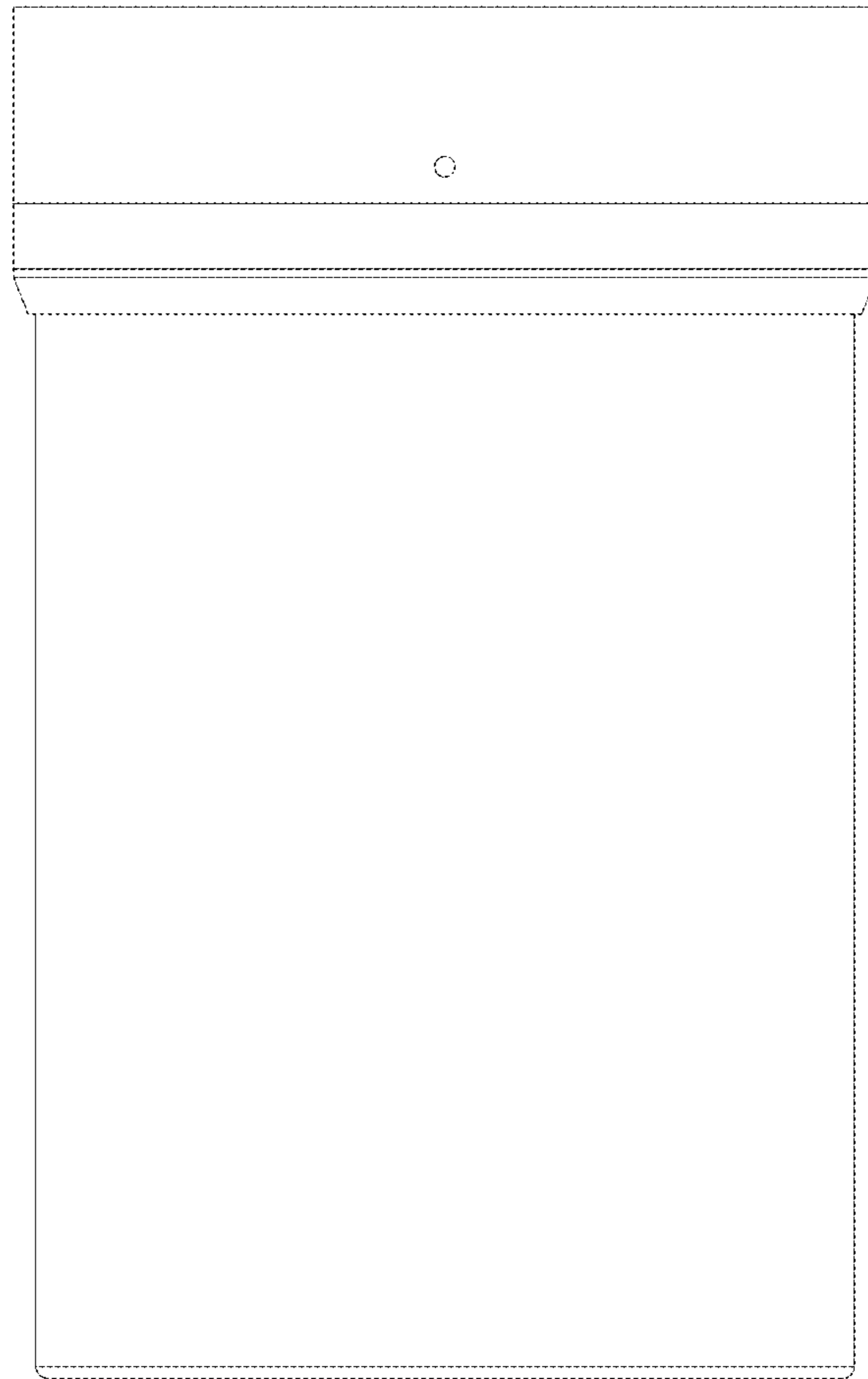


FIG. 7