

US00D975889S

(12) **United States Design Patent**  
**Herrmann**

(10) **Patent No.:** **US D975,889 S**  
(45) **Date of Patent:** **\*\* Jan. 17, 2023**

- (54) **LAMP**
- (71) Applicant: **Glatz AG**, Frauenfeld (CH)
- (72) Inventor: **Denis Herrmann**, Winterthur (CH)
- (\*\*) Term: **15 Years**
- (21) Appl. No.: **35/513,394**
- (22) Filed: **Jul. 19, 2021**
- (80) **Hague Agreement Data**  
 Int. Filing Date: **Jul. 19, 2021**  
 Int. Reg. No.: **DM/215603**  
 Int. Reg. Date: **Jul. 19, 2021**  
 Int. Reg. Pub. Date: **Jan. 21, 2022**
- (51) **LOC (14) Cl.** ..... **26-03**
- (52) **U.S. Cl.**  
USPC ..... **D26/24**
- (58) **Field of Classification Search**  
USPC ..... D26/24, 60, 67-70, 72, 80, 104, 118;  
D10/106.6, 106.8  
CPC ..... F21S 8/032; F21S 9/02; F21V 21/088;  
F21V 21/0885; F21V 21/096; F21V  
21/0965; F21W 33/0028  
See application file for complete search history.

- (56) **References Cited**  
**U.S. PATENT DOCUMENTS**  
 D327,690 S \* 7/1992 Ogawa ..... D14/230  
 D371,857 S \* 7/1996 Gismondi ..... D26/37  
 D542,454 S \* 5/2007 Chan ..... D26/60  
 D563,017 S \* 2/2008 Waedeled ..... D26/70  
 D585,580 S \* 1/2009 Riffel ..... D26/85  
 D633,231 S \* 2/2011 Morrison ..... D26/24  
 D694,463 S \* 11/2013 Sieczkowski ..... D26/124  
 D742,041 S \* 10/2015 Garcia ..... D26/110  
 D747,984 S \* 1/2016 Zhao ..... D10/53  
 D776,820 S \* 1/2017 Rouillac ..... D24/167  
 D788,475 S \* 6/2017 Kiyohara ..... D6/309

- D798,490 S \* 9/2017 Haines ..... D26/104
- D803,410 S \* 11/2017 Im ..... D24/169
- D813,437 S \* 3/2018 Verelst ..... D26/72
- D820,238 S \* 6/2018 Boshernitzan ..... D14/218
- D840,582 S \* 2/2019 Liu ..... D26/104
- D852,402 S \* 6/2019 Zhu ..... D26/89
- D855,193 S \* 7/2019 Levi ..... D24/200
- D860,026 S \* 9/2019 Siminoff ..... D10/106.3
- D866,815 S \* 11/2019 Wang ..... D26/24
- D870,325 S \* 12/2019 Zheng ..... D26/24
- D891,675 S \* 7/2020 Liu ..... D26/85
- D903,927 S \* 12/2020 Johnson ..... D26/89
- D920,493 S \* 5/2021 Alexander ..... D23/366
- D936,265 S \* 11/2021 Johnson ..... D26/67
- D940,890 S \* 1/2022 Cartledge ..... D24/200
- D948,101 S \* 4/2022 Shen ..... D26/89

(Continued)

**OTHER PUBLICATIONS**

Bluu, Patio Umbrella Light. First available Nov. 5, 2020. Searched on Nov. 9, 2022. [<https://www.amazon.com/Umbrella-Lights-Colorful-Brightness-Outdoor/dp/B08MSXQWV8/>] (Year: 2020).\*

(Continued)

*Primary Examiner* — W. A. Teddy Falloway  
*Assistant Examiner* — Melissa Adriane Santos

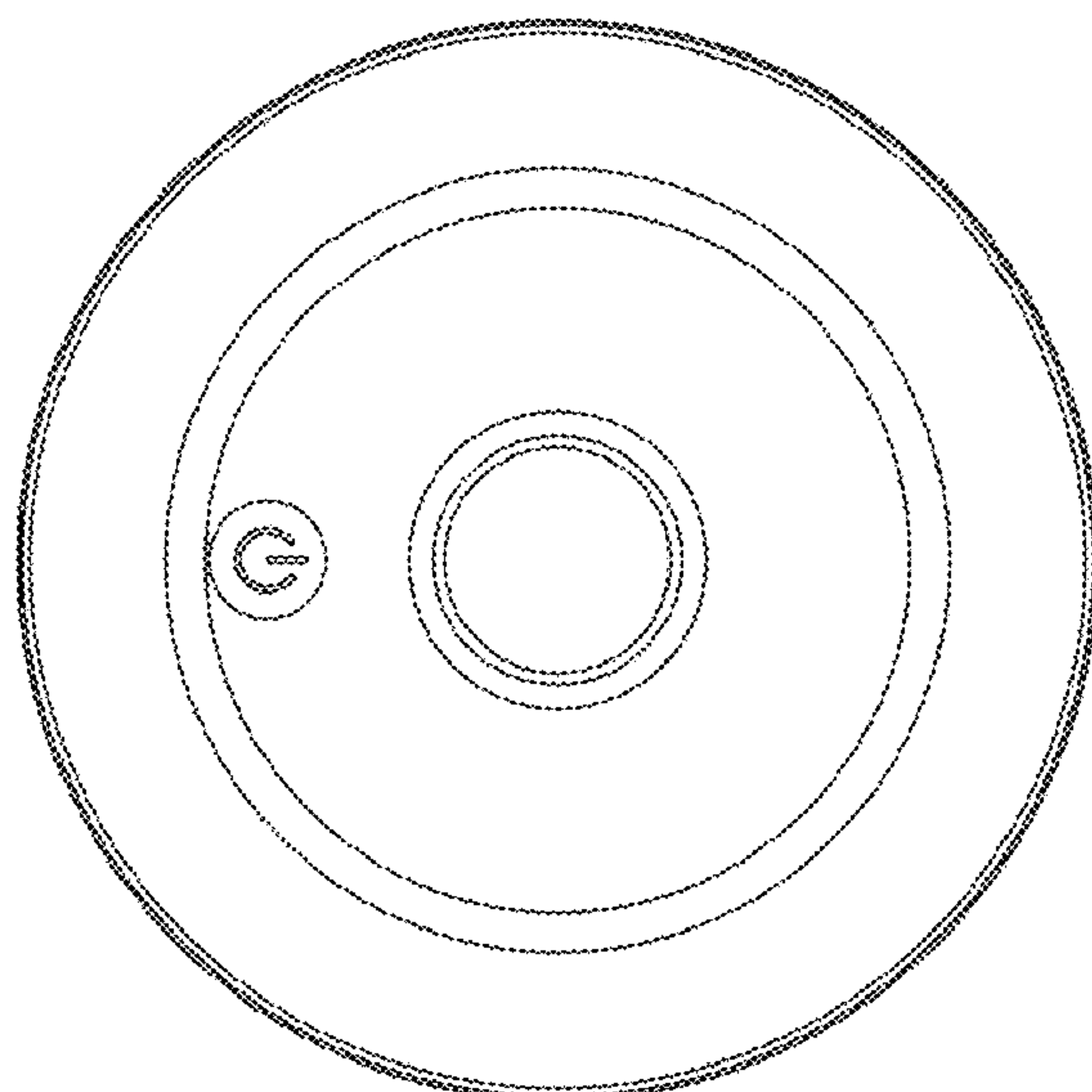
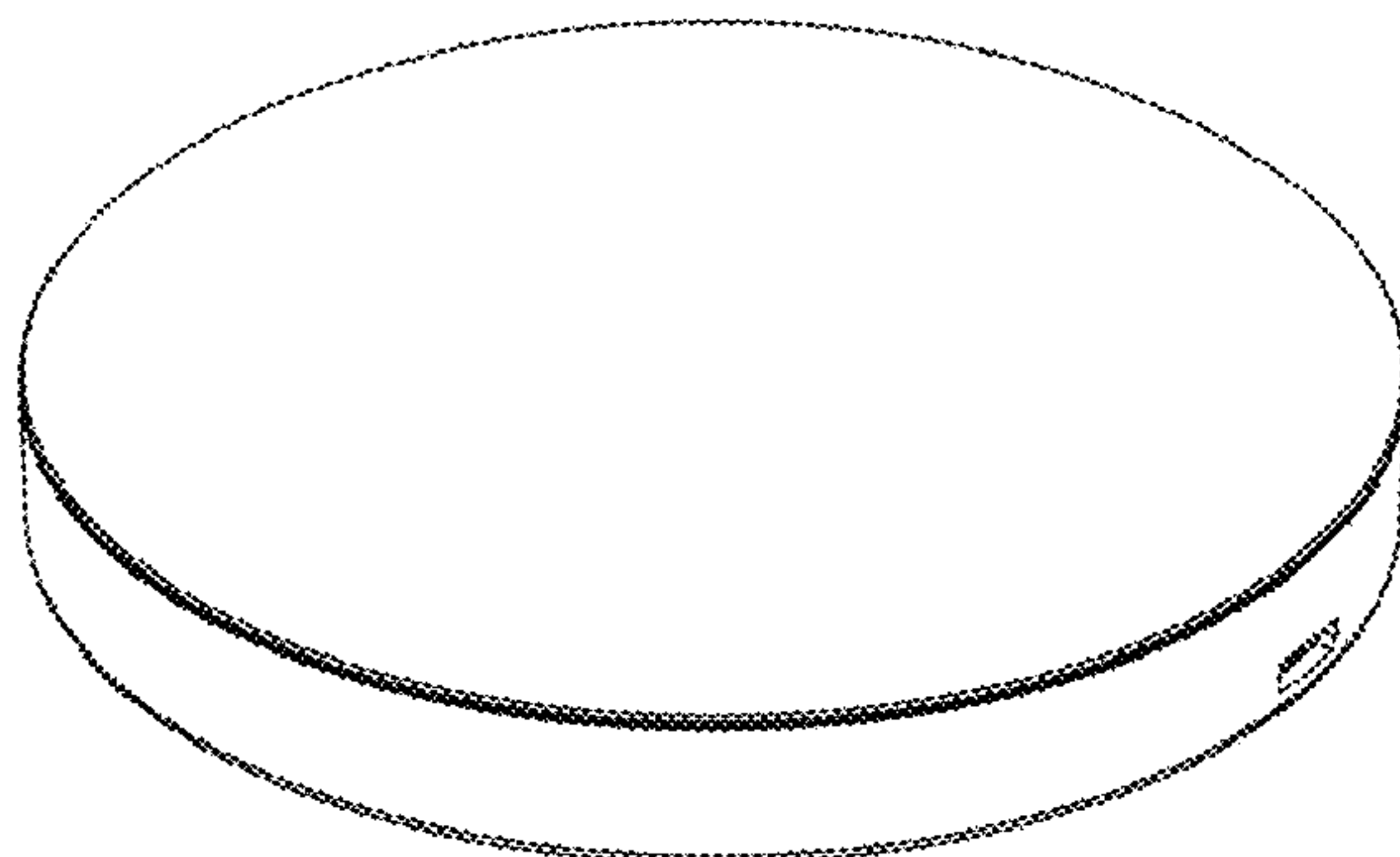
(57) **CLAIM**

The ornamental design for a lamp, as shown and described.

**DESCRIPTION**

- 1. Lamp
- 1.1 : Front
- 1.2 : Back
- 1.3 : Left
- 1.4 : Right
- 1.5 : Top
- 1.6 : Bottom
- 1.7 : Perspective
- 1.8 : Perspective

**1 Claim, 8 Drawing Sheets**



(56)

**References Cited**

## U.S. PATENT DOCUMENTS

D958,677 S \* 7/2022 Akana ..... D10/70  
D959,726 S \* 8/2022 Chen ..... D26/104  
D962,519 S \* 8/2022 Diez ..... 26/24  
D967,499 S \* 10/2022 Yi ..... D26/104  
2013/0028457 A1 \* 1/2013 Yeh ..... H04R 1/10  
381/334

## OTHER PUBLICATIONS

Happetite, Umbrella Light. First available Jun. 8, 2021. Searched on Nov. 9, 2022. [<https://www.amazon.com/happetite-Umbrella-Rechargeable-Cantilever-Brightness/dp/B096RGJFQN>] (Year: 2021).\*

Atdoall, LED Puck Light. First available Nov. 24, 2020. Searched on Nov. 9, 2022. [<https://www.amazon.com/Rechargeable-Dimmable-Controls-Lighting-Bookcase/dp/B08P35848M/>] (Year: 2020).\*

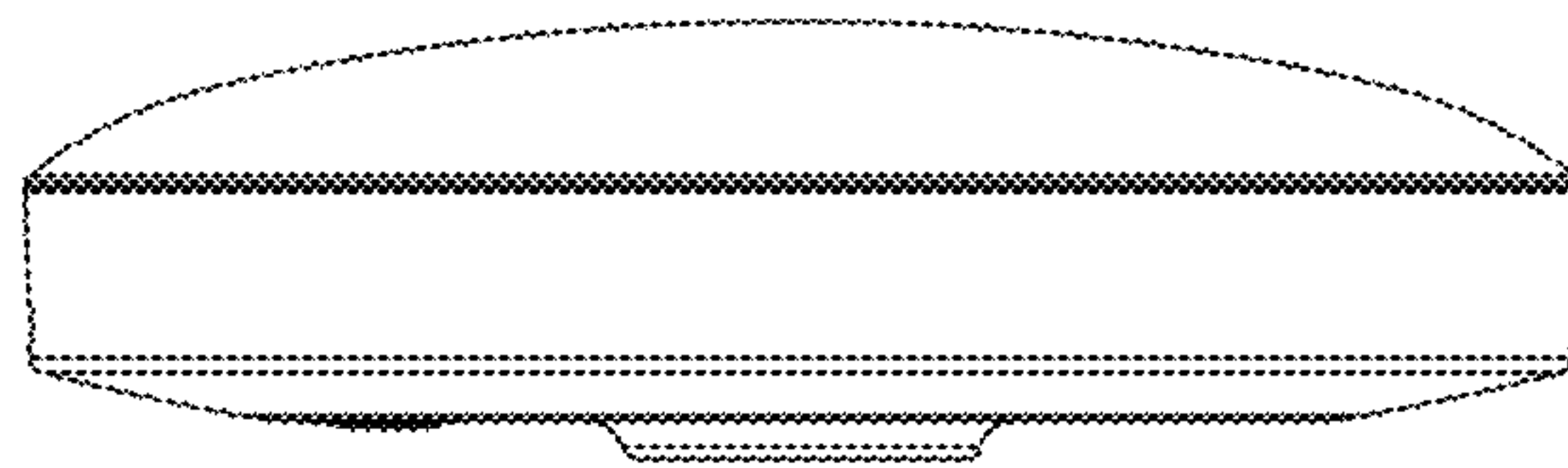
Shade Specialists, Lou Lamp. First available unknown. Searched on Nov. 9, 2022. [<https://shadespecialists.co.uk/outdoor-waterproof-led-light-lou/>] (Year: 2022).\*

Iodoo, Portable Lantern. First available Mar. 15, 2021. Searched on Nov. 9, 2022. [<https://www.amazon.com/10000mAh-Flashlight-Rechargeable-Waterproof-Emergency/dp/B08YY4S4PJ/>] (Year: 2021).\*

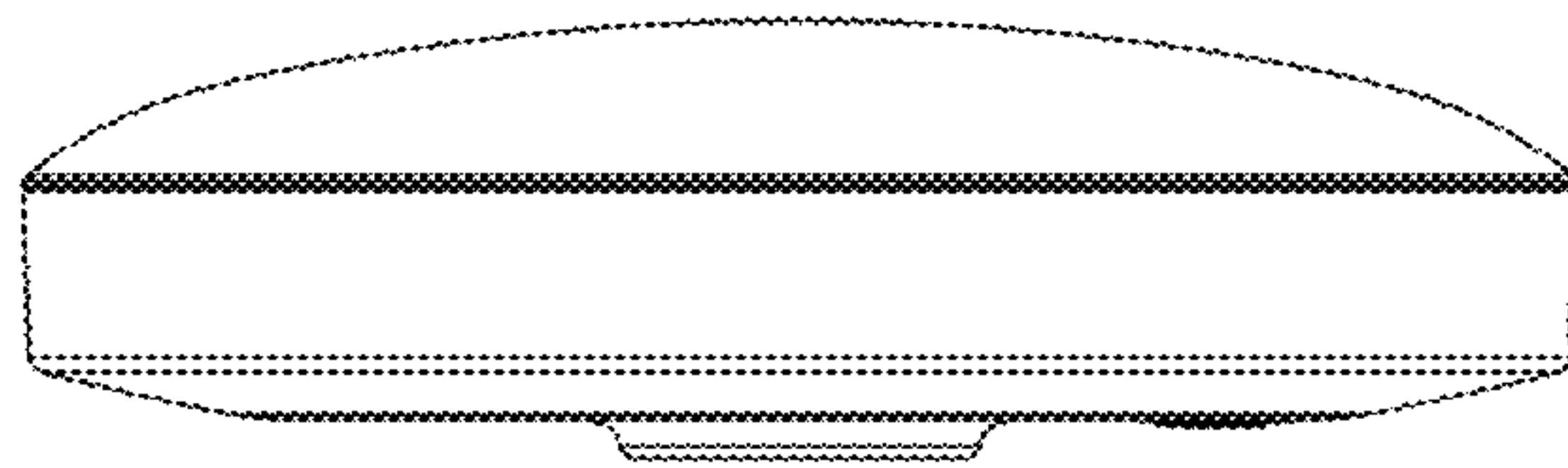
Wobsion Puck Light. First available Apr. 10, 2020. Searched on Nov. 9, 2022. [<https://www.amazon.com/wobsion-Changing-Lighting-Wireless-Rechargeable/dp/B086TSKZ66/>] (Year: 2020).\*

\* cited by examiner

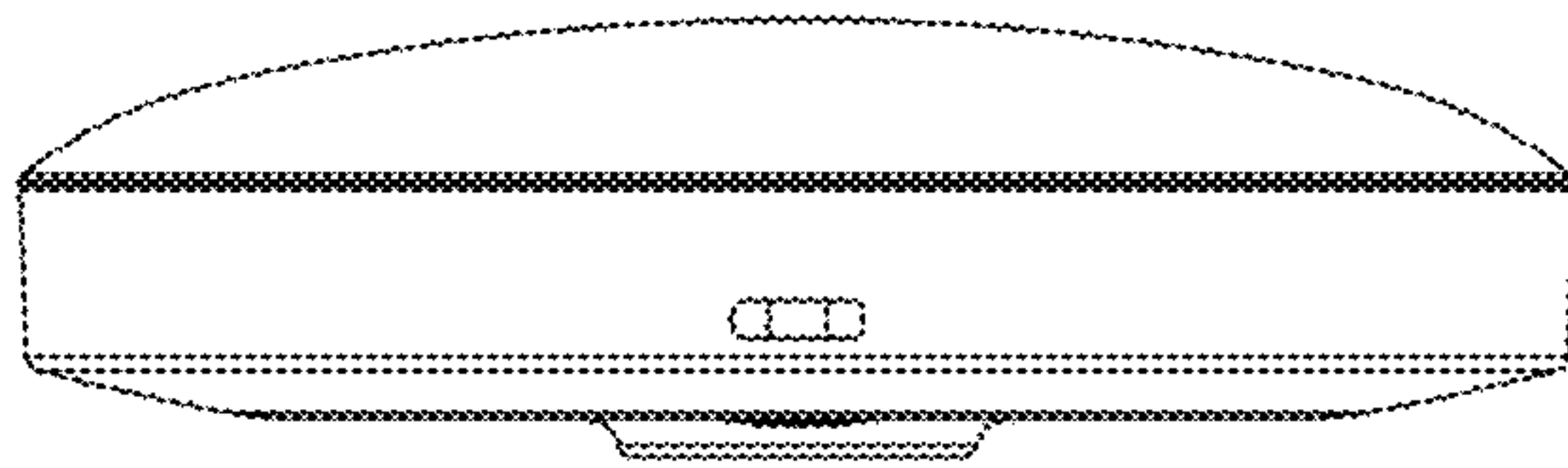
1.1



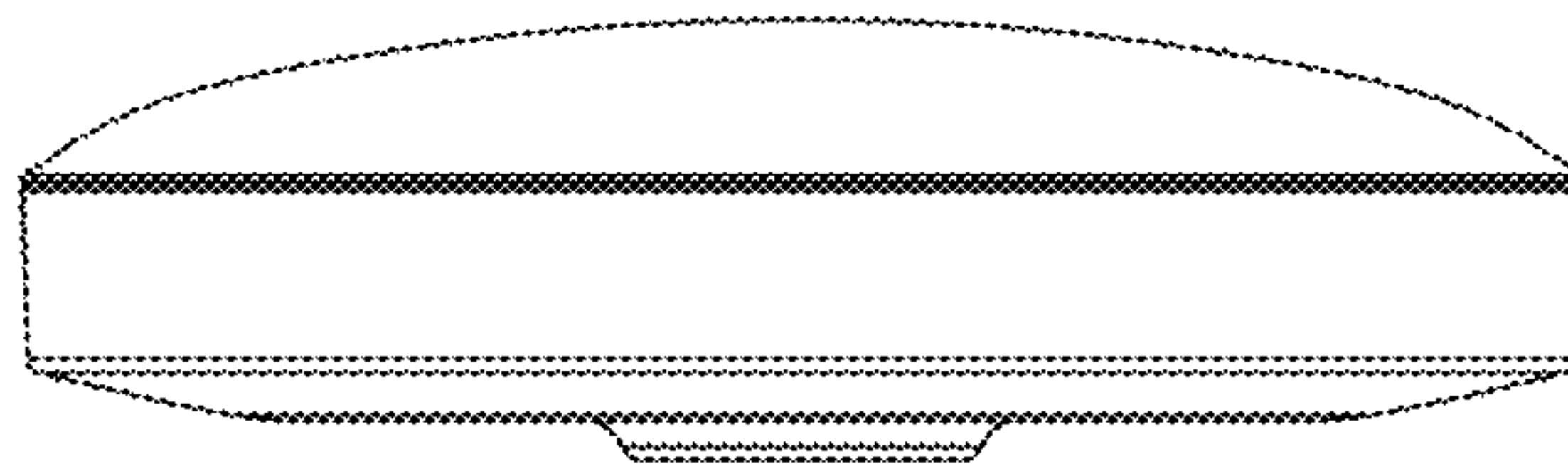
1.2



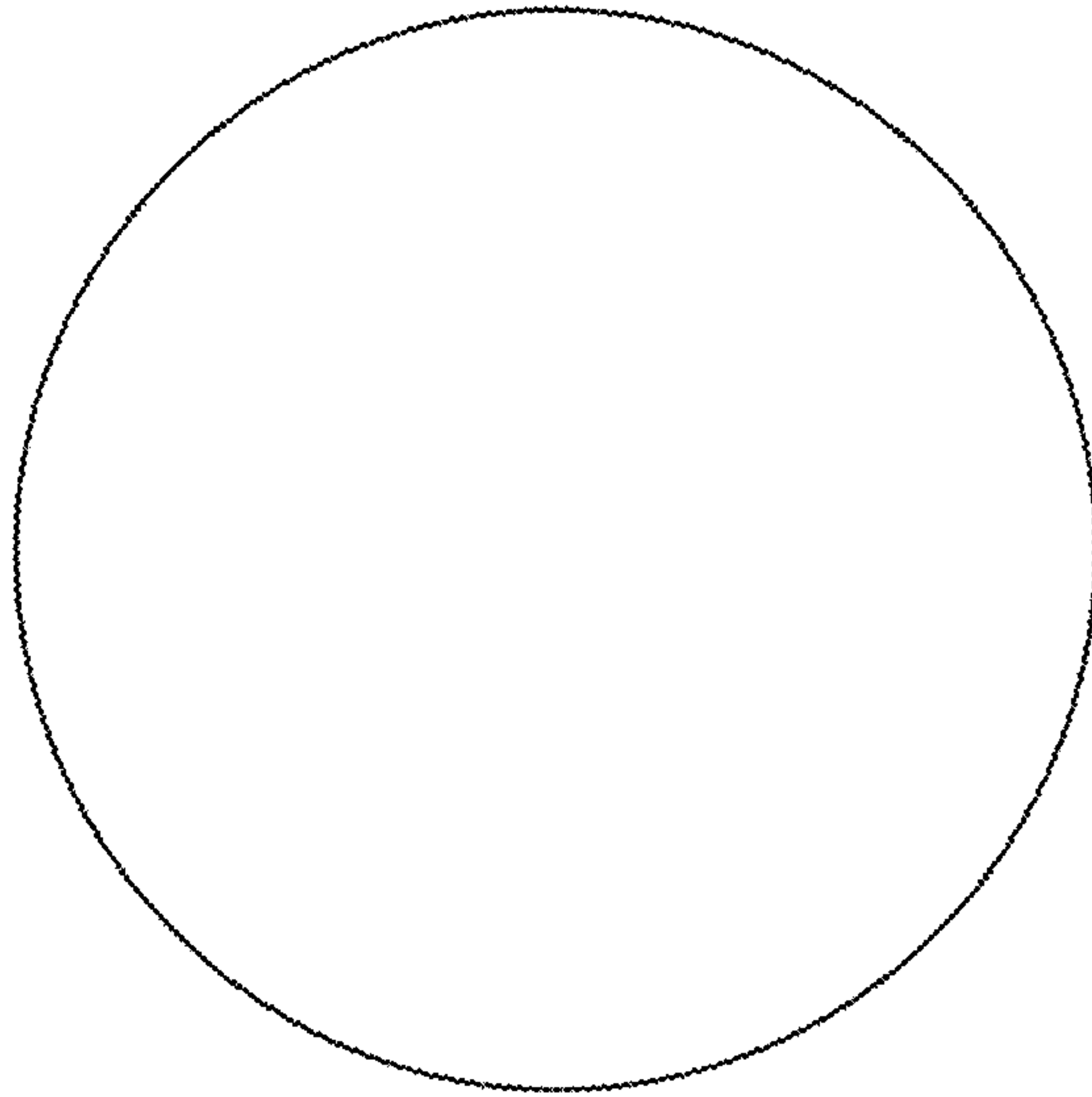
1.3



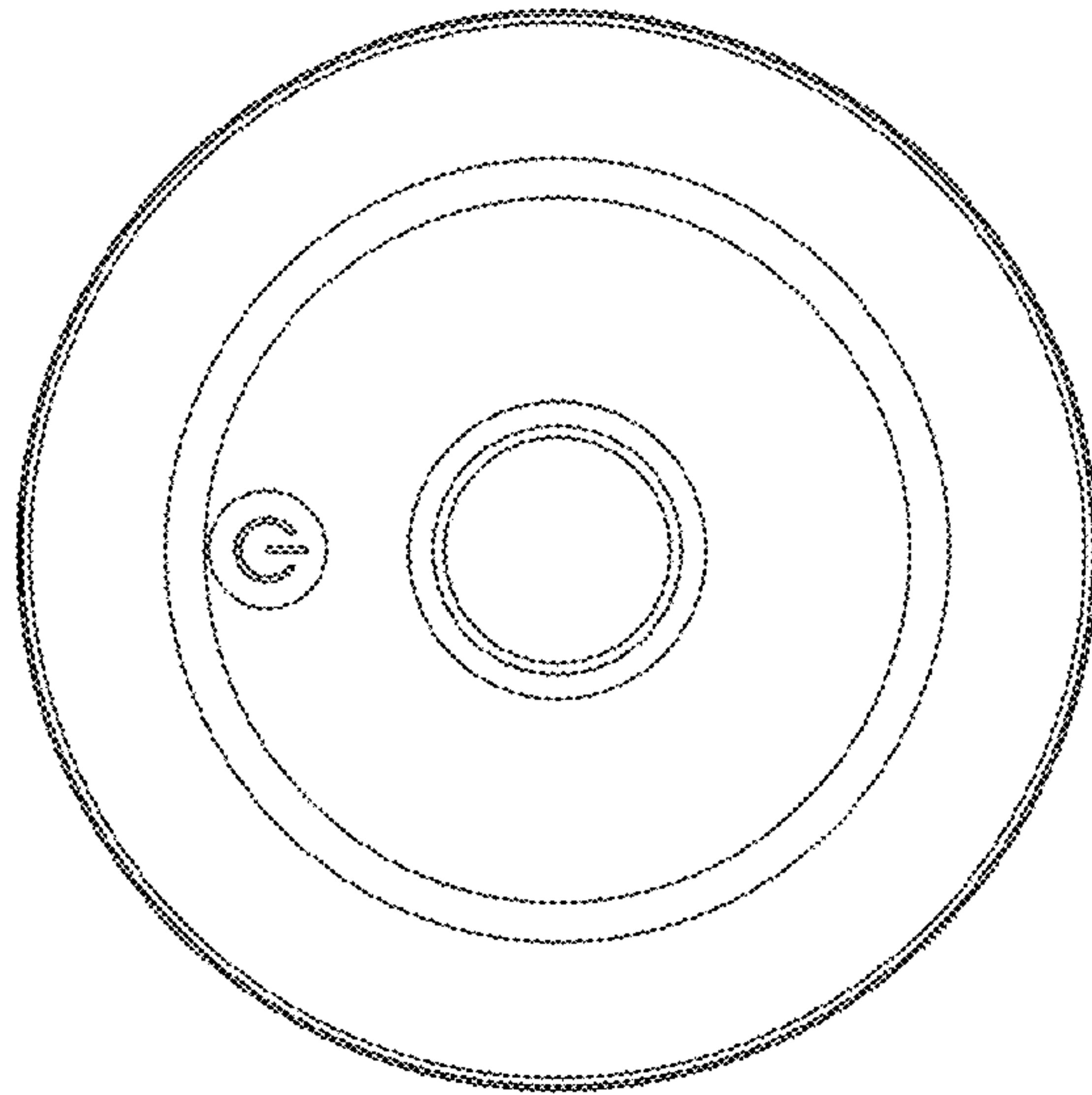
1.4



**1.5**

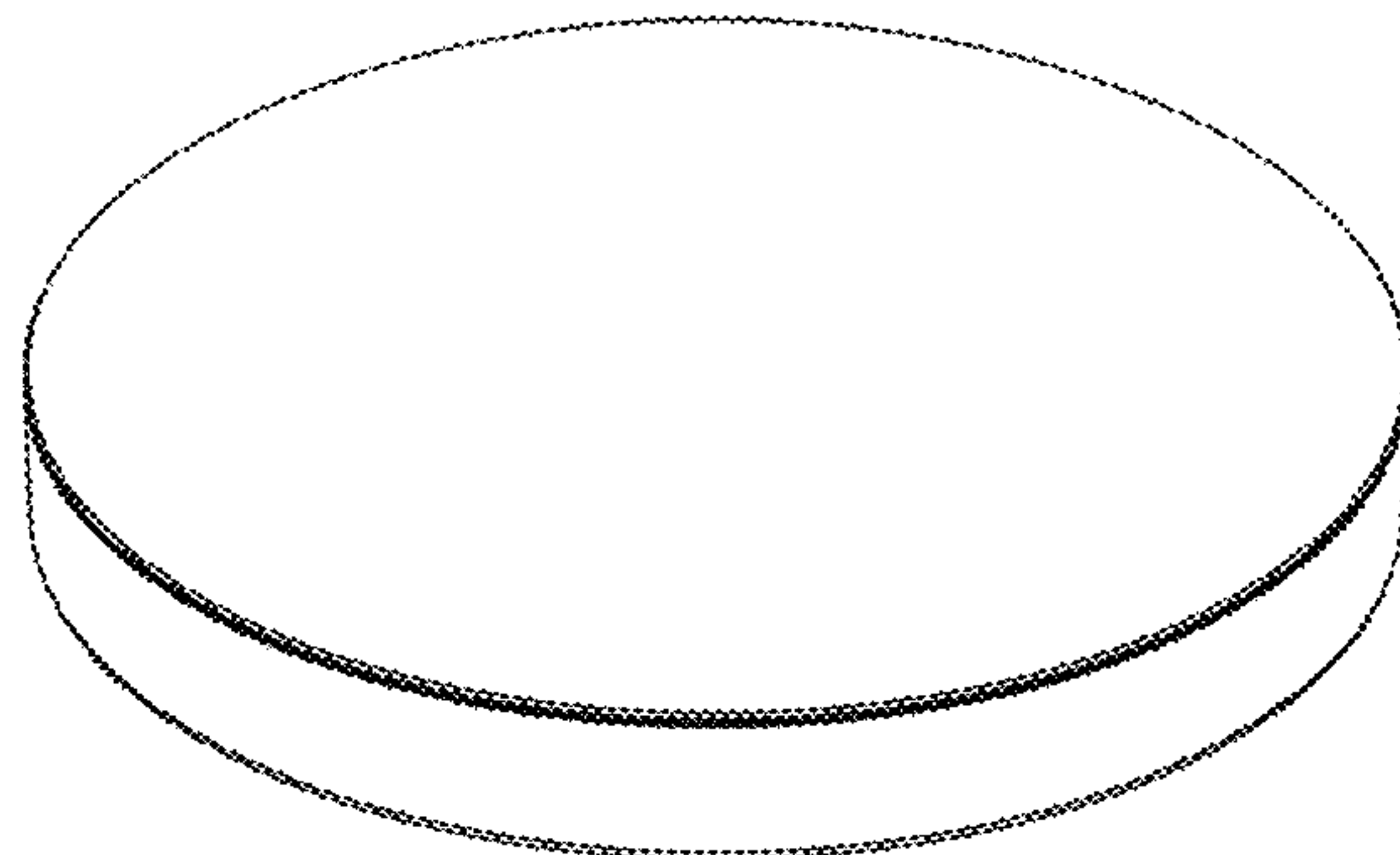


1.6





1.7



1.8

