



US00D975888S

(12) **United States Design Patent**  
**Legard**

(10) **Patent No.:** **US D975,888 S**  
(45) **Date of Patent:** **\*\* Jan. 17, 2023**

(54) **COMBINATION CANDLE HOLDER AND DRINK COASTER**

6,629,836 B2 \* 10/2003 Campbell ..... F21V 35/00  
6,695,272 B1 2/2004 Bomgaars et al.  
D489,143 S 4/2004 Clarkson

(71) Applicant: **Gertrude M. Legard**, Conyers, GA (US)

(Continued)

(72) Inventor: **Gertrude M. Legard**, Conyers, GA (US)

OTHER PUBLICATIONS

(\*\*) Term: **15 Years**

“Nero Small Glass Hurricane” by Allmodern, Allmodern, site visited Sep. 2, 2021: Available from Internet, URL: <https://www.allmodern.com/decor-pillows/pdp/blomus-nero-small-glass-hurricane-ry10185.html>? (Year: Unknown).\*

(21) Appl. No.: **29/718,909**

(Continued)

(22) Filed: **Dec. 30, 2019**

*Primary Examiner* — Richard E Chilcot

(51) **LOC (14) Cl.** ..... **26-01**

(74) *Attorney, Agent, or Firm* — Suzanne Kikel, Patent Agent

(52) **U.S. Cl.**

USPC ..... **D26/22**

CPC ..... **F21V 35/00** (2013.01)

(58) **Field of Classification Search**

USPC ..... D26/6, 9, 10, 12, 22, 23; D23/366, 355; D7/542

CPC ..... F21V 35/00; F21V 14/01; A47G 23/03; F23D 3/16

See application file for complete search history.

(57) **CLAIM**

The ornamental design for a combination candle holder and drink coaster, as shown and described.

**DESCRIPTION**

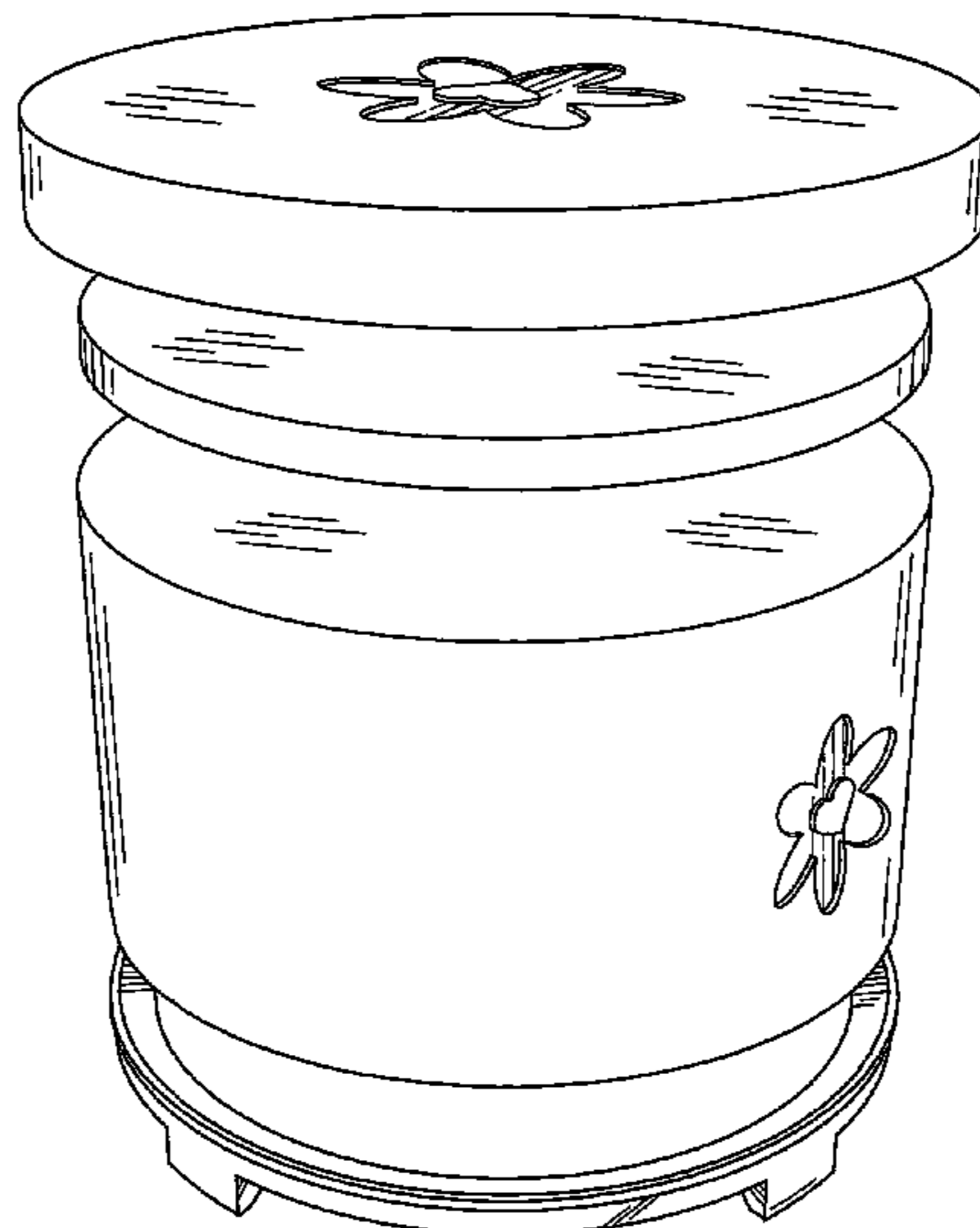
(56) **References Cited**

U.S. PATENT DOCUMENTS

D158,613 S	5/1950	Potts	
3,574,498 A	4/1971	Zarinsky	
3,606,074 A *	9/1971	Hayes	..... B65D 25/24 220/212
D226,240 S *	1/1973	Twedt	..... D26/6
D243,379 S *	2/1977	Meeks	..... D7/624.1
4,061,244 A *	12/1977	Tucker	..... B65D 43/0233 220/212
4,261,026 A	4/1981	Bolha	
4,336,574 A	6/1982	Goodman	
D269,638 S	7/1983	Frye, Jr. et al.	
D313,479 S	1/1991	Goldberg	
D369,871 S	5/1996	Lui	
5,533,697 A	7/1996	Fletcher et al.	
D391,195 S	2/1998	Weder et al.	
6,214,063 B1 *	4/2001	DeStefano	..... C10L 5/40 44/275

FIG. 1 is a front perspective view of a combination candle holder and drink coaster, showing my new design.  
 FIG. 2 is a perspective view of the combination candle holder and drink coaster thereof, shown in an alternate configuration of use, with the lid removed and showing the drink coaster within the lid.  
 FIG. 3 is an exploded left side view of the combination candle holder and drink coaster shown in FIG. 1.  
 FIG. 4 is a front elevational view of FIG. 1.  
 FIG. 5 is a rear elevational view thereof.  
 FIG. 6 is a right side view thereof.  
 FIG. 7 is a left side view thereof.  
 FIG. 8 is a top plan view thereof; and,  
 FIG. 9 is a bottom plan view thereof.  
 The broken lines in the figures depict portions of the combination candle holder and drink coaster that forms no part of the claim.

**1 Claim, 9 Drawing Sheets**



(56)

**References Cited**

U.S. PATENT DOCUMENTS

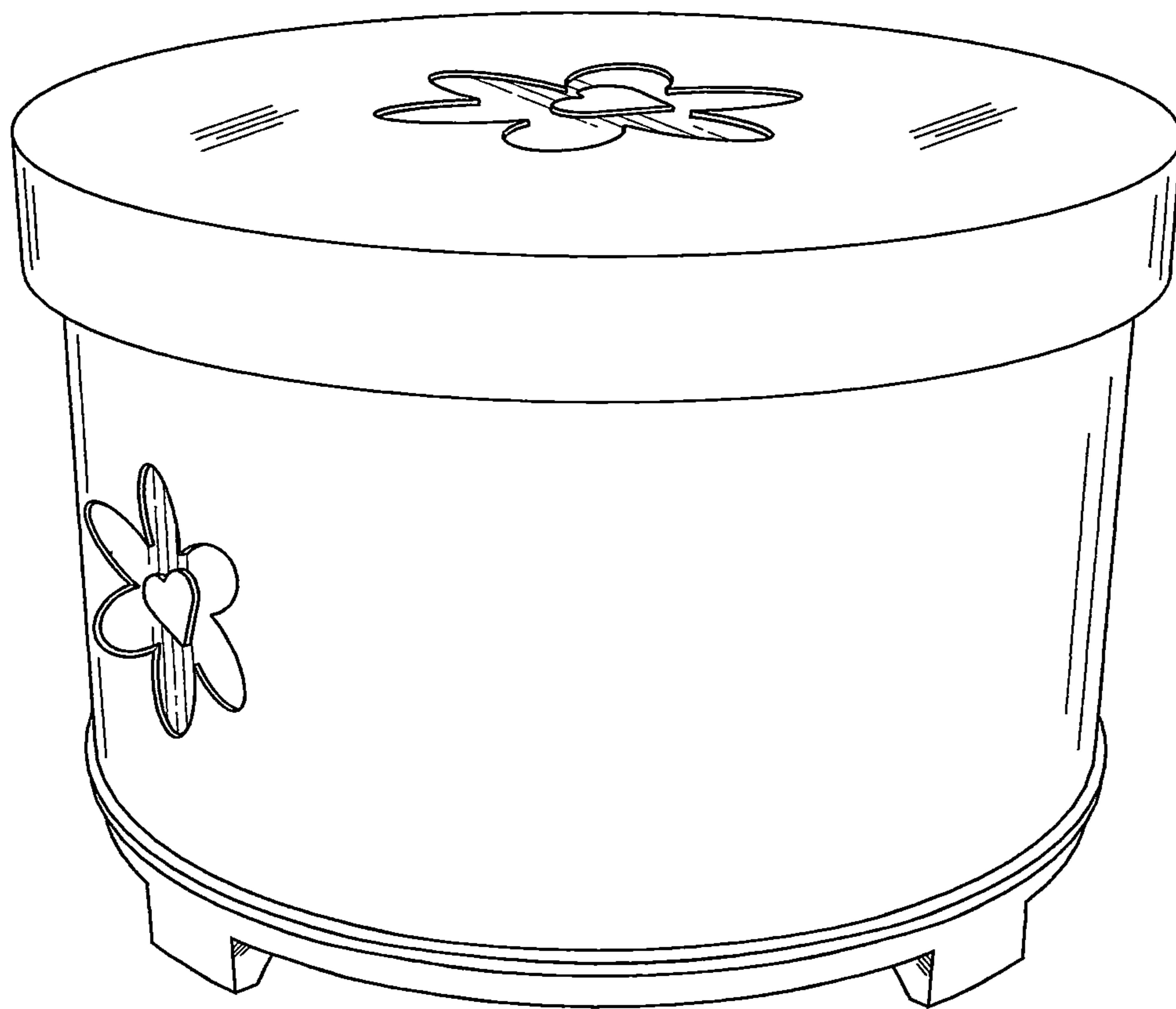
D489,604 S 5/2004 Turner  
D660,996 S 5/2012 Rein  
D733,943 S 7/2015 Singer  
D867,624 S \* 11/2019 Morris ..... D26/6  
D871,619 S \* 12/2019 Wrobel ..... D26/9  
D929,232 S \* 8/2021 Walters ..... D9/503  
2002/0066687 A1 \* 6/2002 Mikus ..... A61K 47/59  
206/457  
2009/0029304 A1 1/2009 Steinmann et al.

OTHER PUBLICATIONS

“Lulu Candles | Fresh Linen | Proudly Made in The USA | Highly Scented & Long Lasting Soy Jar Candle—6 Oz. w/lid” by Amazon, Apr. 2, 2018, Amazon, site visited Sep. 2, 2021: <https://www.amzn.com/B07CKPSH95//> (Year: 2018).\*

“Yankee Candle 1630747 White Gardenia Signature Small Tumbler Candle” by Amazon, dated Apr. 2, 2018, Amazon, site visited Sep. 2, 2021: Available from Internet, URL: <https://www.amzn.com/B08TZJC61Z> (Year: 2021).\*

\* cited by examiner



**FIG. 1**

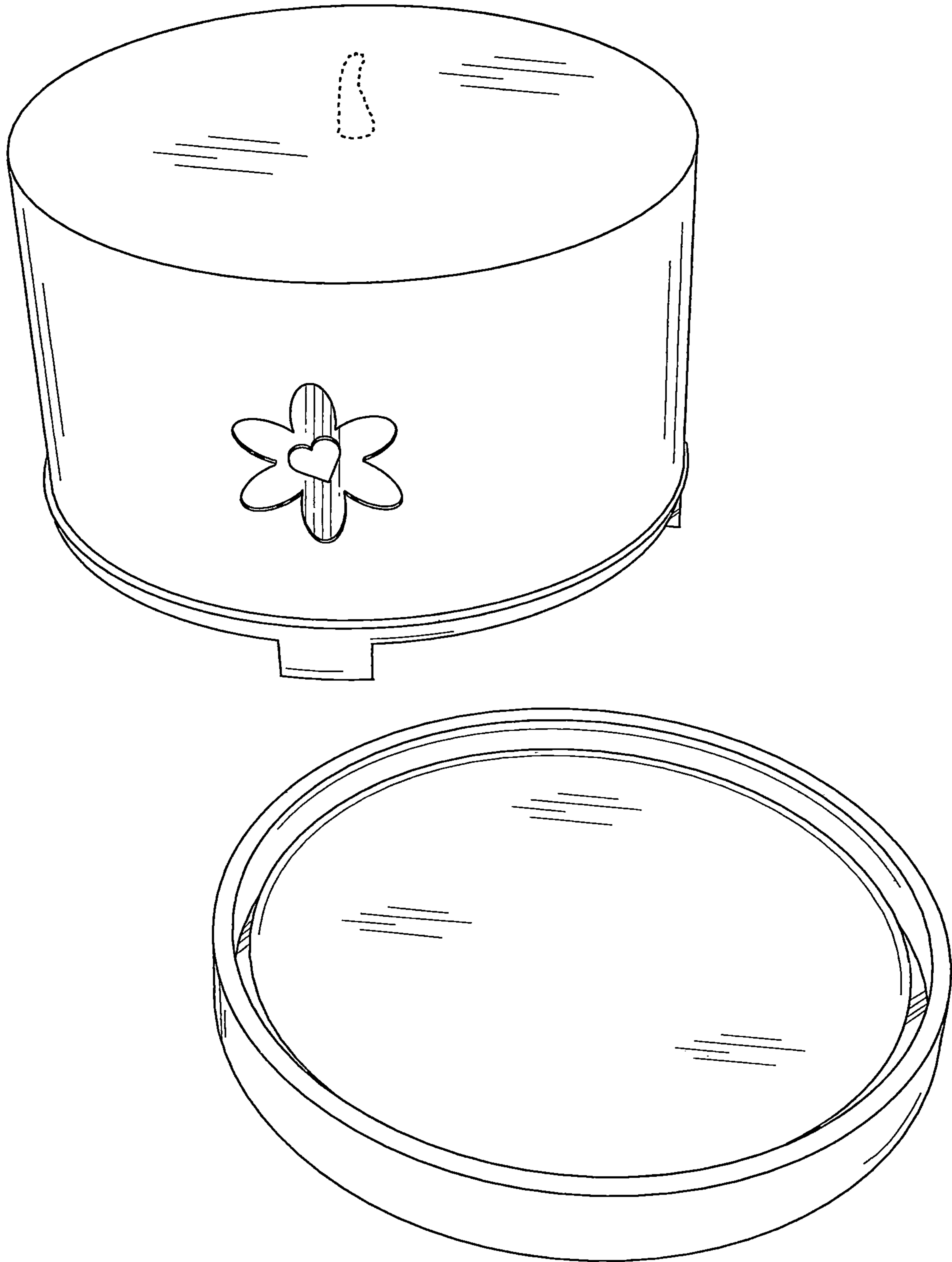


FIG. 2

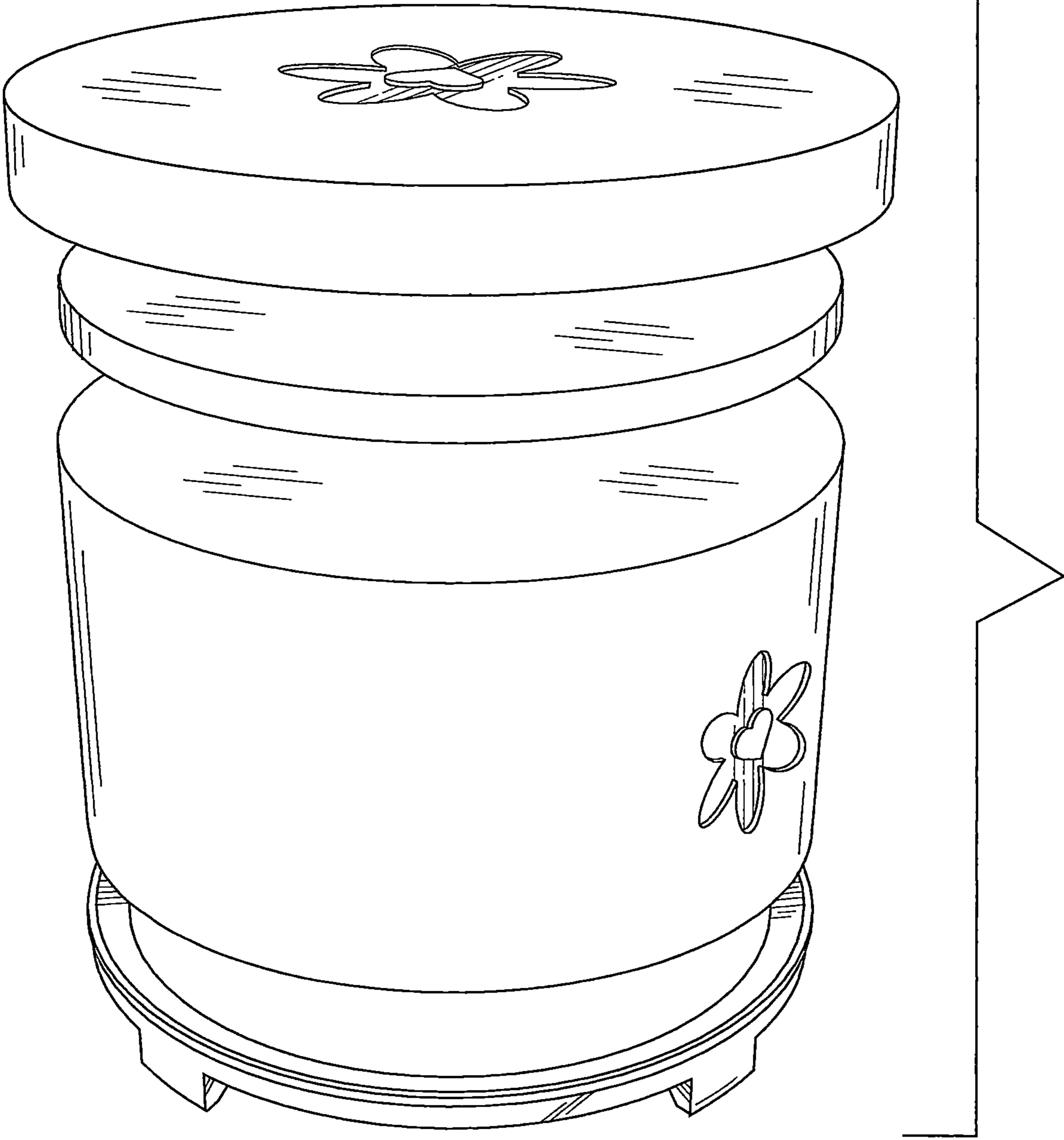
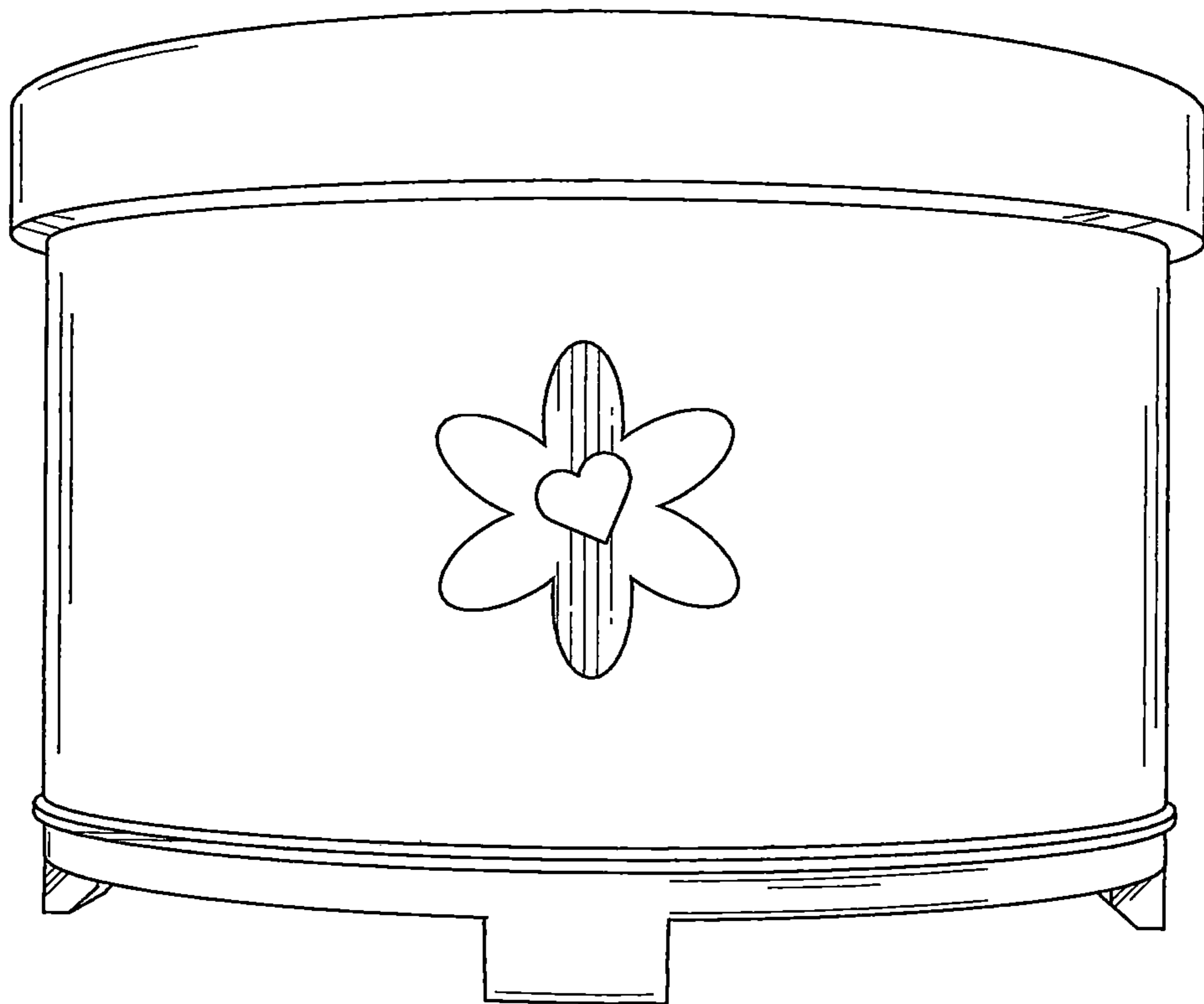
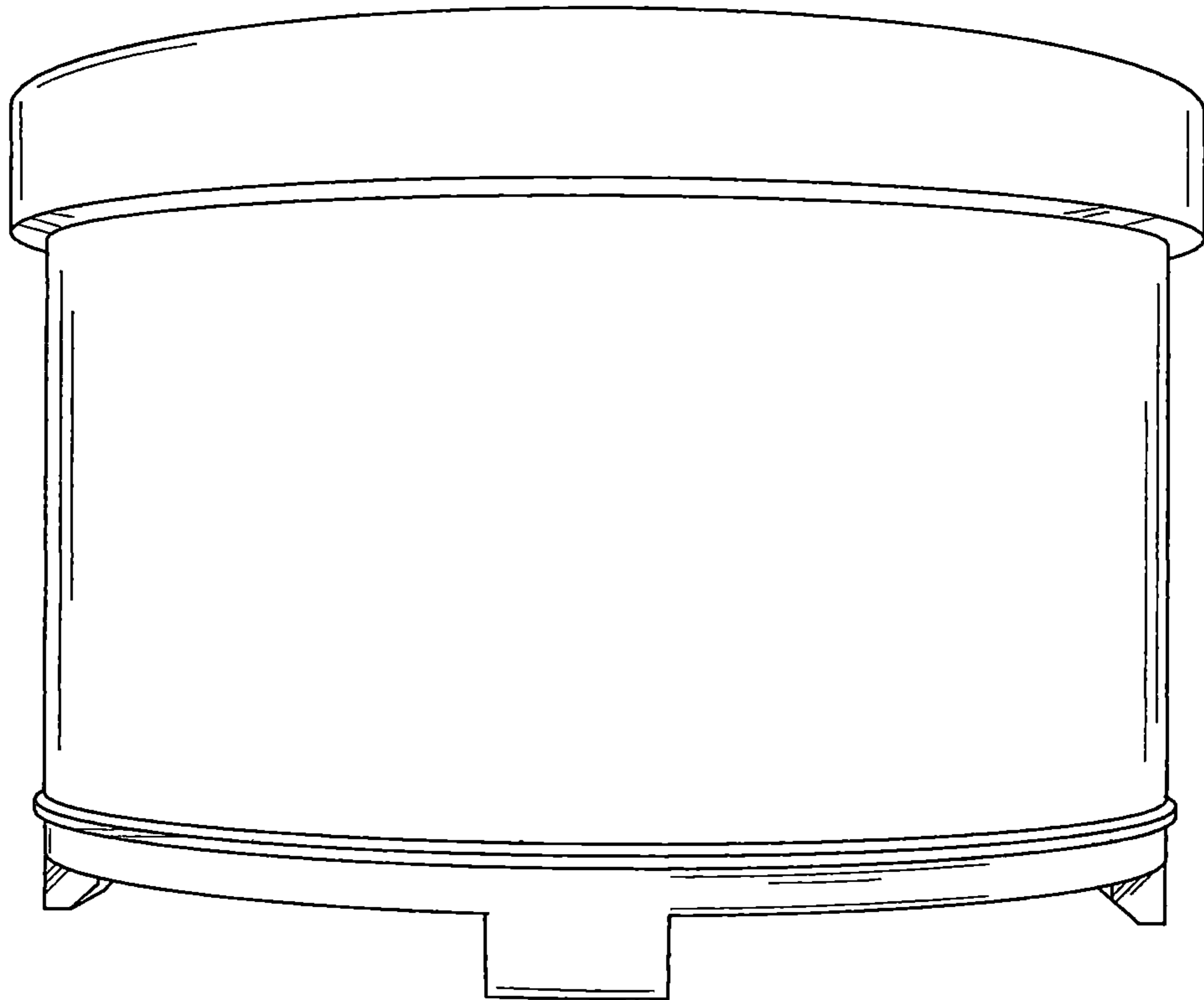


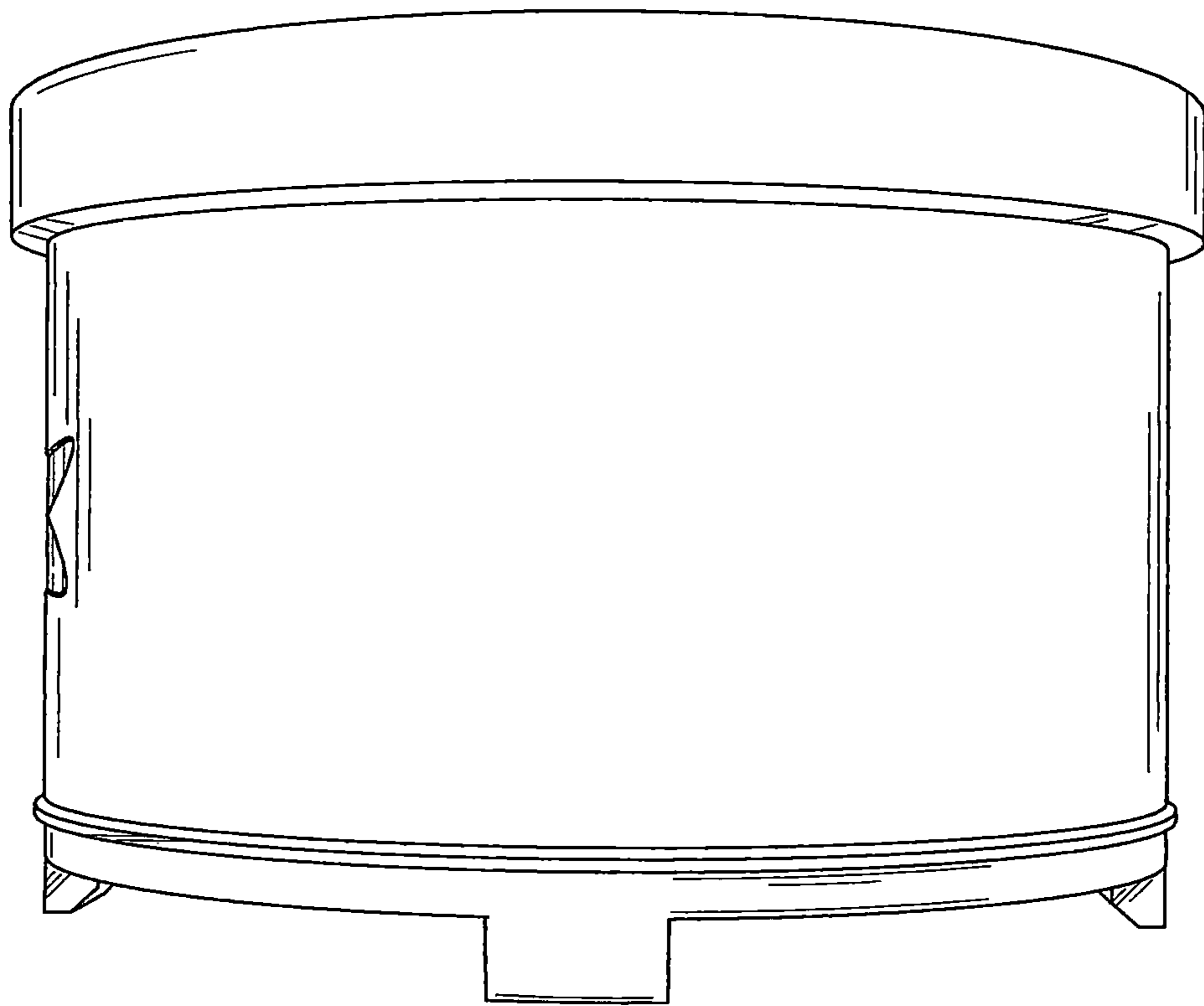
FIG. 3



**FIG. 4**



**FIG. 5**



**FIG. 6**



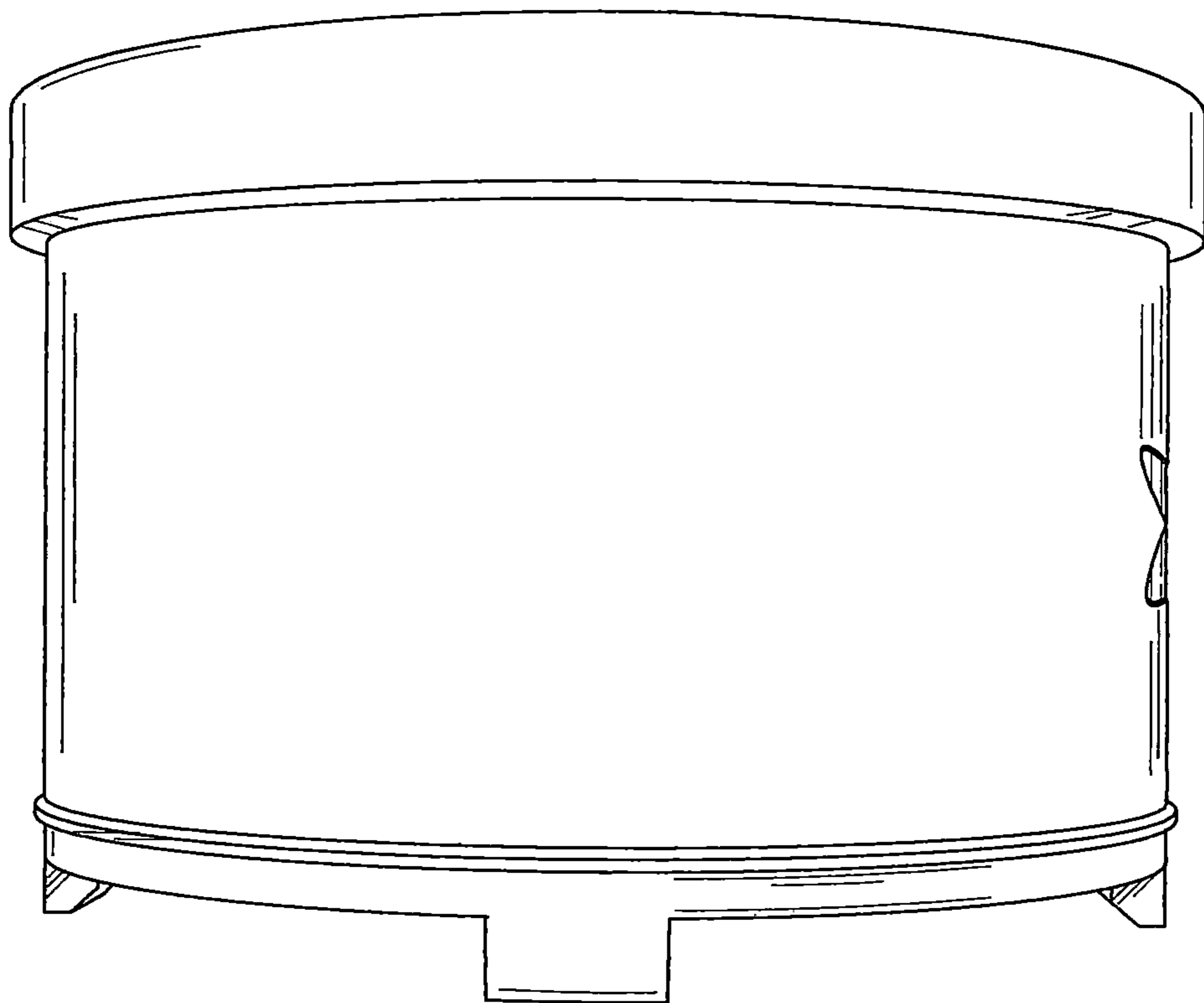


FIG. 7

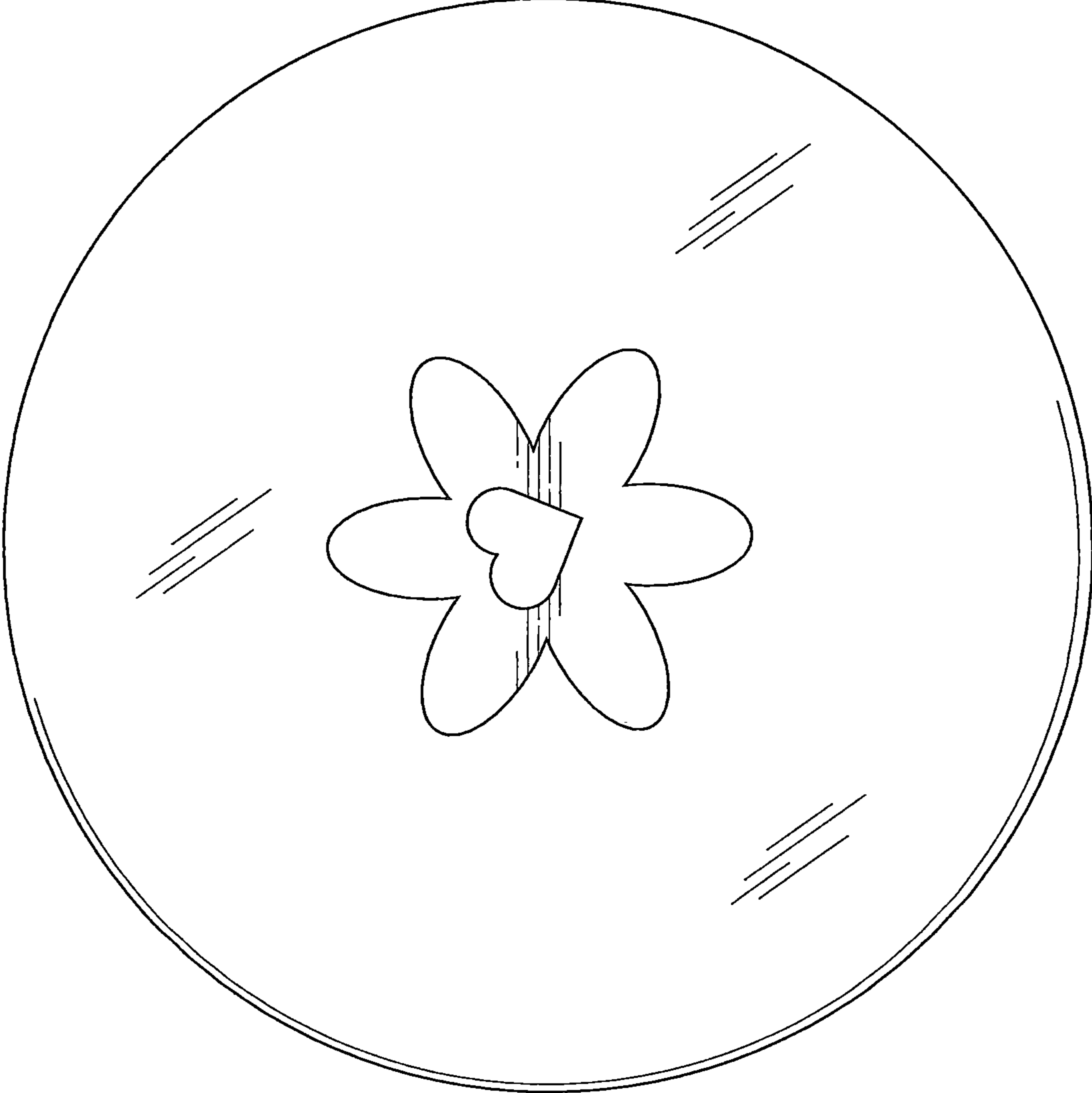


FIG. 8

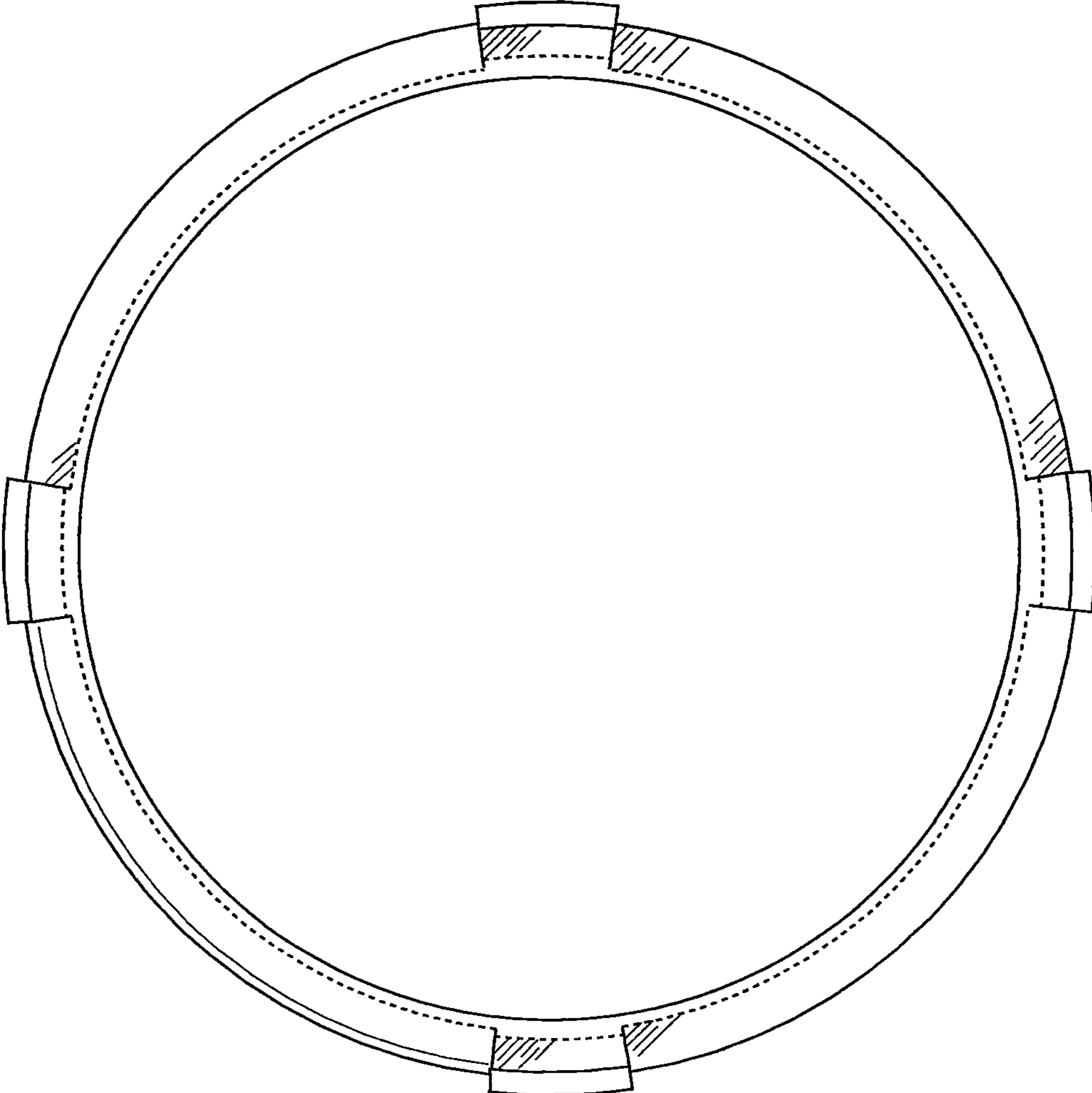


FIG. 9