



US00D975883S

(12) **United States Design Patent** (10) **Patent No.:** **US D975,883 S**
Welch (45) **Date of Patent:** **** Jan. 17, 2023**

- (54) **PICKET CAP**
- (71) Applicant: **Hunter Welch**, North Salt Lake, UT (US)
- (72) Inventor: **Hunter Welch**, North Salt Lake, UT (US)
- (**) Term: **15 Years**
- (21) Appl. No.: **29/759,065**
- (22) Filed: **Nov. 19, 2020**
- (51) **LOC (14) Cl.** **25-01**
- (52) **U.S. Cl.**
USPC **D25/135**
- (58) **Field of Classification Search**
USPC D25/125, 126, 127, 128, 129, 130, 131, D25/132, 133, 134, 135, 136, 60, 61, 119, D25/121, 124, 138, 164; D8/363, 364, D8/381
CPC E04C 2003/0482; E04C 2003/0434; E04H 17/1413; E04H 17/063; E04H 14/16; E04H 17/20; E04B 2/7881
See application file for complete search history.

D928,987 S * 8/2021 Stegeman D25/126
 D954,149 S * 6/2022 Hochman D25/138
 D955,003 S * 6/2022 Palazzo D25/126

OTHER PUBLICATIONS

Gothic Vinyl Picket Fence Caps https://www.amazon.com/Gothic-Vinyl-Picket-Fence-White/dp/B08KTMQLTS/ref=asc_df_B08KTMQLTS/?tag=hyprod-20&linkCode=df0&hvadid=475788616966&hvpos=&hvnetw=g&hvrnd=12029634682343268211&hvpone=&hvptwo=&hvqmt=&hvdev=c&hvdvcmld=&hvlocint=&hvlocphy=1027019&hvtargid=pla-1027957547208&psc=1 Oct. 7, 2020 (Year: 2020).*

* cited by examiner

Primary Examiner — Samantha Q Lawrence
 (74) *Attorney, Agent, or Firm* — Kirton McConkie; Brian Tucker

(57) **CLAIM**

The ornamental design for a picket cap, as shown and described.

DESCRIPTION

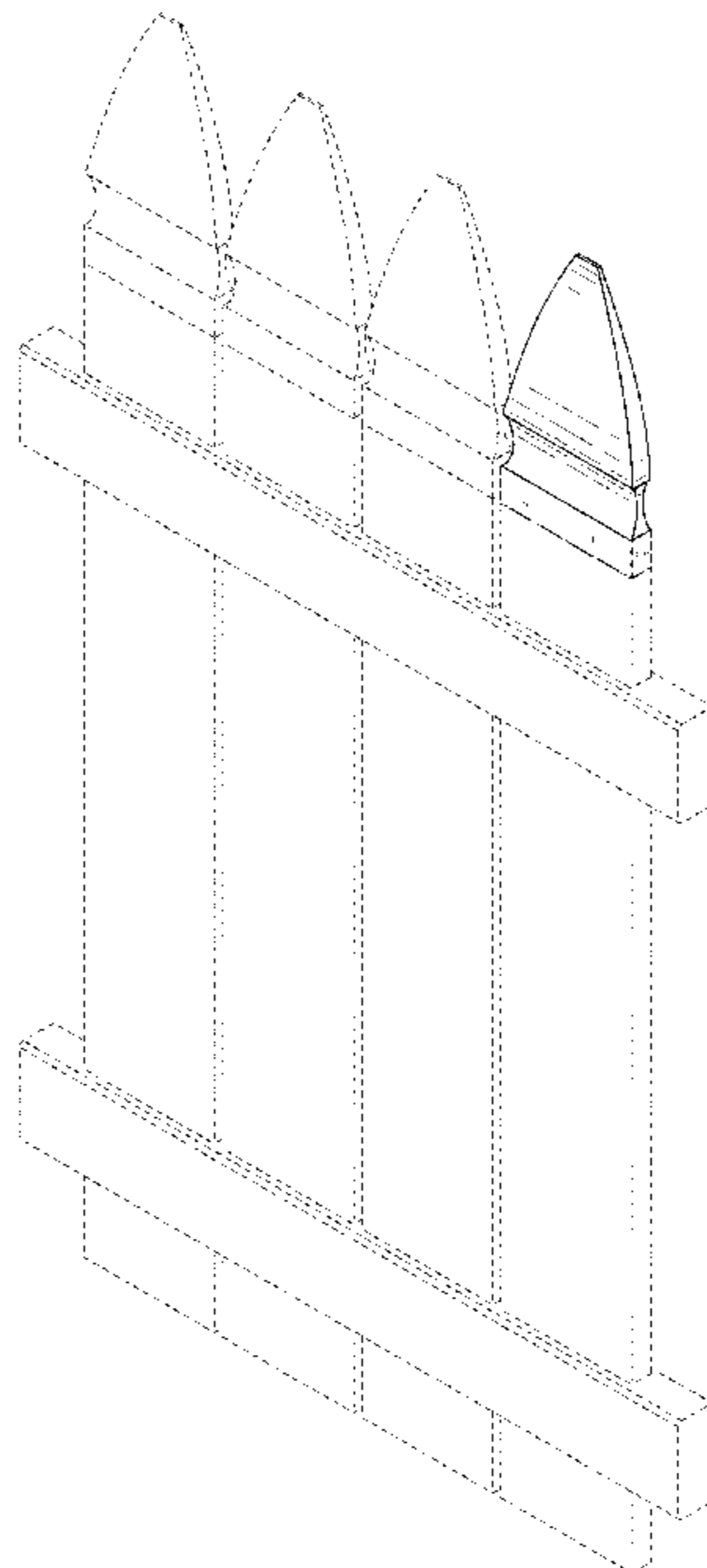
FIG. 1 is a top left isometric view of a picket cap showing the claimed design;
 FIG. 2 is another top left isometric view thereof;
 FIG. 3 is a bottom right isometric view thereof;
 FIG. 4 is a front elevation view thereof with the rear elevation view being identical thereto;
 FIG. 5 is a right-side elevation view thereof with the left-side elevation view being identical thereto;
 FIG. 6 is a top plan view thereof; and,
 FIG. 7 is a bottom plan view thereof.
 The broken lines in FIG. 1 represent a fence and form no part of the claimed design.

1 Claim, 3 Drawing Sheets

(56) **References Cited**

U.S. PATENT DOCUMENTS

- D451,212 S * 11/2001 Merrick D25/135
- D454,404 S * 3/2002 Merrick D25/135
- D458,390 S * 6/2002 Ohanesian D25/135
- D547,464 S * 7/2007 Petta D25/135
- D567,392 S * 4/2008 Fears D25/42
- D619,738 S * 7/2010 Mannhart D25/126
- D726,343 S * 4/2015 Knudsen D25/135
- D775,742 S * 1/2017 Kobelt D25/135
- D807,533 S * 1/2018 Ray D25/135



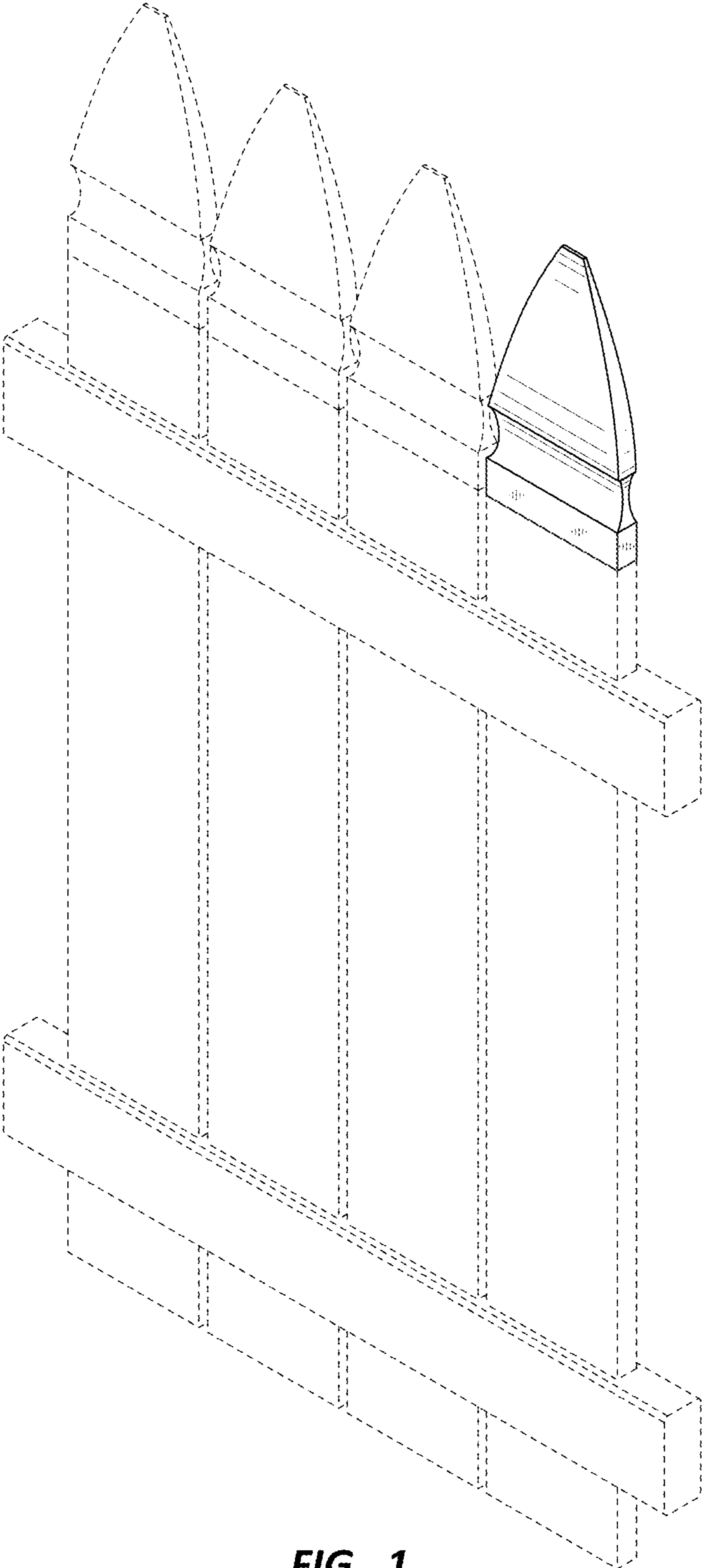


FIG. 1

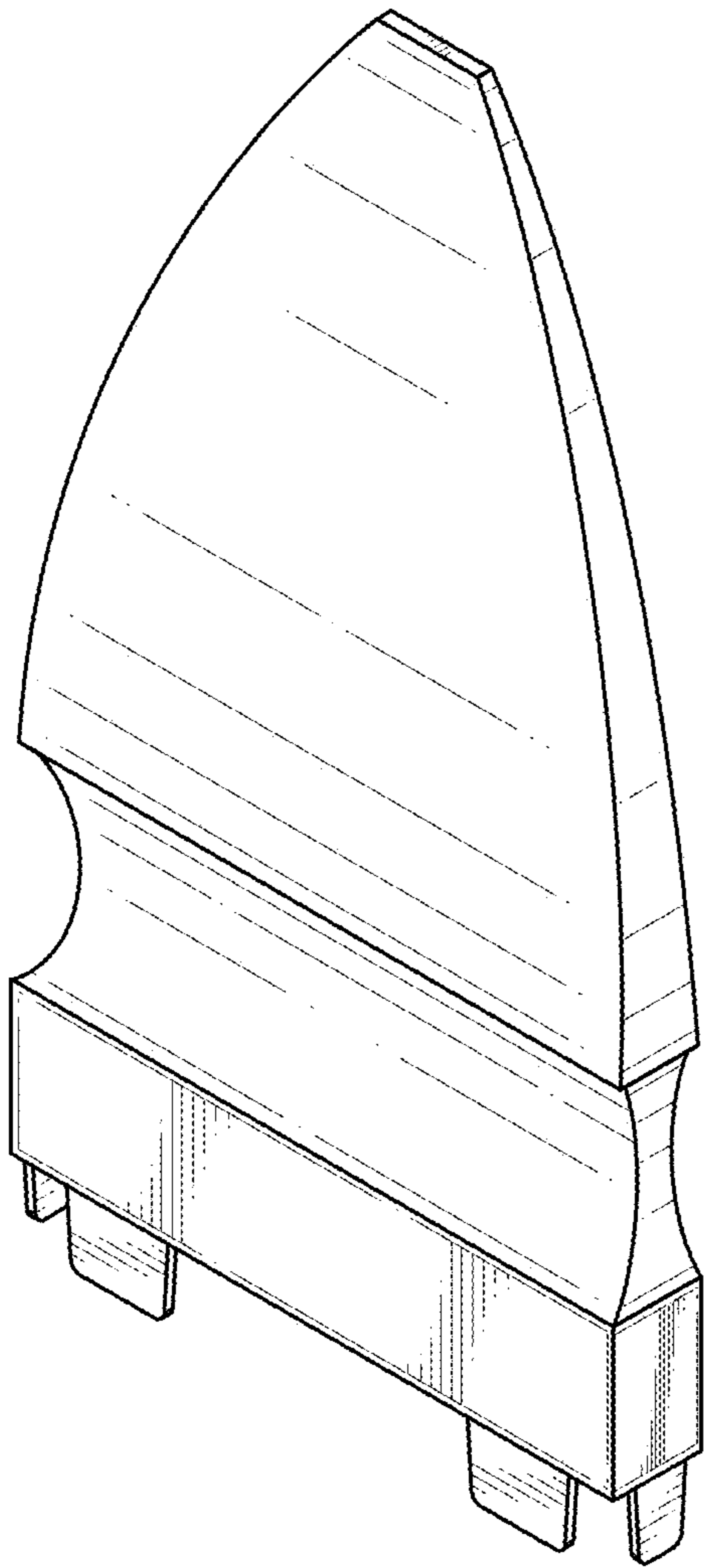


FIG. 2

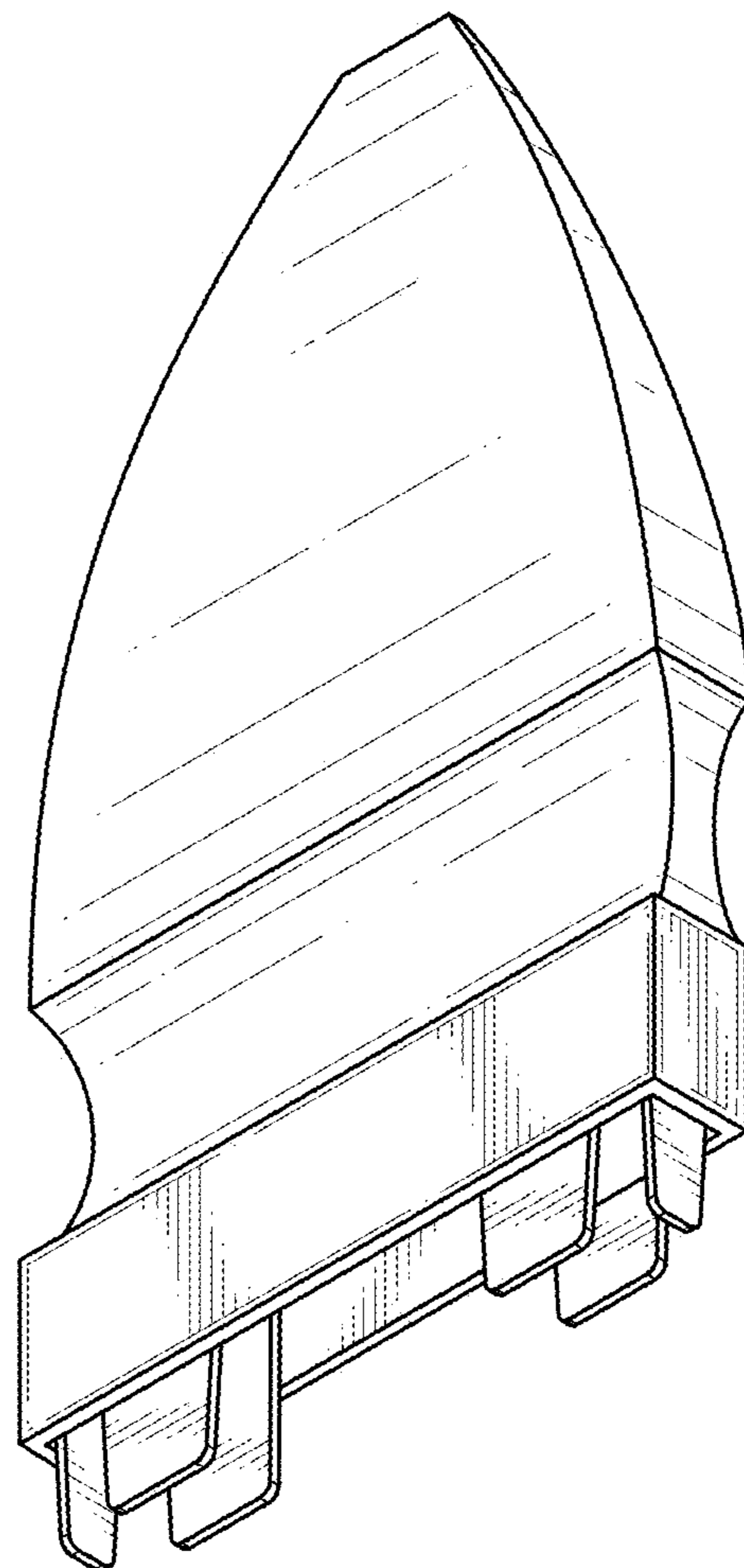


FIG. 3

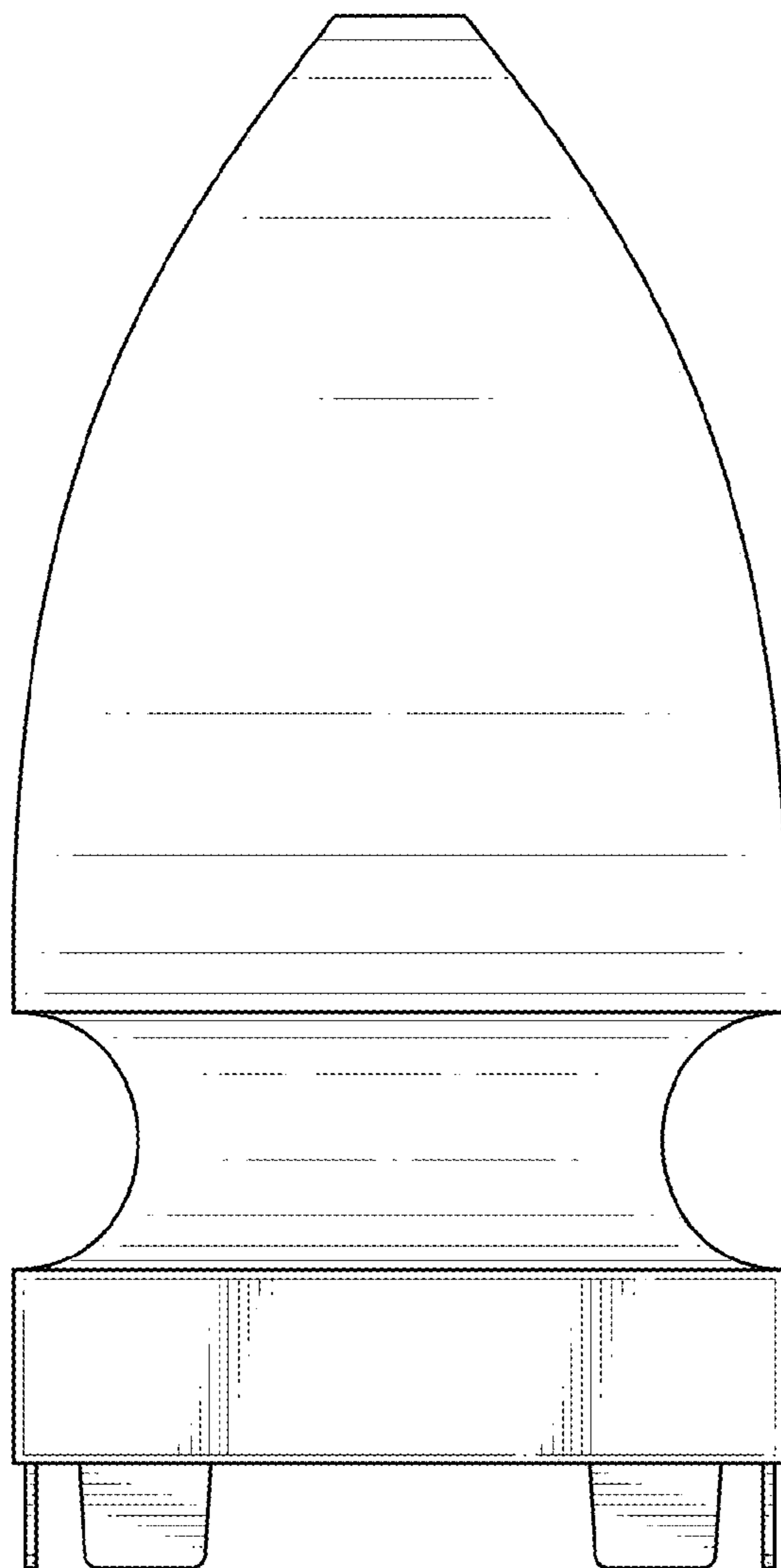


FIG. 4

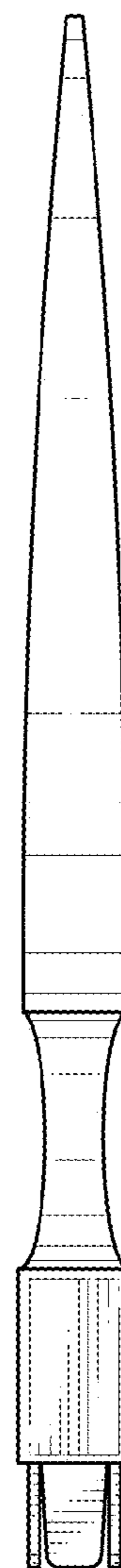


FIG. 5

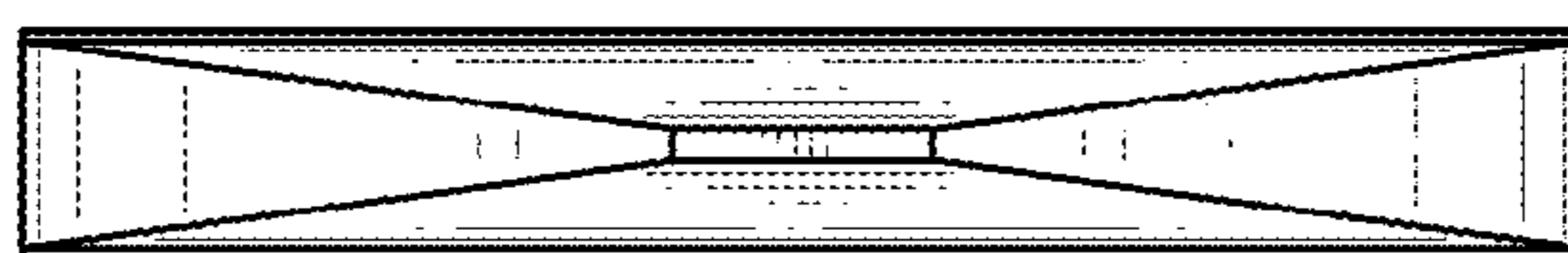


FIG. 6

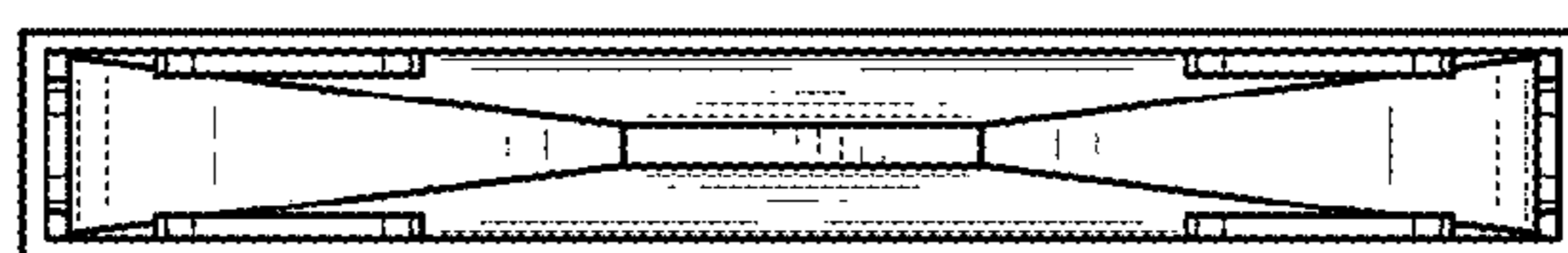


FIG. 7