



US00D975882S

(12) **United States Design Patent**  
**Welch**

(10) **Patent No.:** **US D975,882 S**  
(45) **Date of Patent:** **\*\* Jan. 17, 2023**

(54) **PICKET CAP**

D928,987 S \* 8/2021 Stegeman ..... D25/126  
D954,149 S \* 6/2022 Hochman ..... D25/138  
D955,003 S \* 6/2022 Palazzo ..... D25/126

(71) Applicant: **Hunter Welch**, North Salt Lake, UT  
(US)

(72) Inventor: **Hunter Welch**, North Salt Lake, UT  
(US)

(\*\*) Term: **15 Years**

(21) Appl. No.: **29/759,064**

(22) Filed: **Nov. 19, 2020**

(51) **LOC (14) Cl.** ..... **25-01**

(52) **U.S. Cl.**  
USPC ..... **D25/135**

(58) **Field of Classification Search**  
USPC ..... D25/125, 126, 127, 128, 129, 130, 131,  
D25/132, 133, 134, 135, 136, 60, 61, 119,  
D25/121, 124, 138, 164; D8/363, 364,  
D8/381

CPC ..... E04C 2003/0482; E04C 2003/0434; E04H  
17/1413; E04H 17/063; E04H 14/16;  
E04H 17/20; E04B 2/7881

See application file for complete search history.

(56) **References Cited**

**U.S. PATENT DOCUMENTS**

D451,212 S \* 11/2001 Merrick ..... D25/135  
D454,404 S \* 3/2002 Merrick ..... D25/135  
D458,390 S \* 6/2002 Ohanesian ..... D25/135  
D547,464 S \* 7/2007 Petta ..... D25/135  
D567,392 S \* 4/2008 Fears ..... D25/42  
D619,738 S \* 7/2010 Mannhart ..... D25/126  
D726,343 S \* 4/2015 Knudsen ..... D25/135  
D775,742 S \* 1/2017 Kobelt ..... D25/135  
D807,533 S \* 1/2018 Ray ..... D25/135

**OTHER PUBLICATIONS**

Gothic Vinyl Picket Fence Caps [https://www.amazon.com/Gothic-Vinyl-Picket-Fence-White/dp/B08KTMQLTS/ref=asc\\_df\\_B08KTMQLTS/?tag=hyprod-20&linkCode=df0&hvadid=475788616966&hvpos=&hvnetw=g&hvrnd=12029634682343268211&hvppone=&hvptwo=&hvqmt=Oct.7,2020&hvdev=c&hvdvcmdl=&hvlocint=&hvlocphy=1027019&hvtargid=pla-1027957547208&pssc=1](https://www.amazon.com/Gothic-Vinyl-Picket-Fence-White/dp/B08KTMQLTS/ref=asc_df_B08KTMQLTS/?tag=hyprod-20&linkCode=df0&hvadid=475788616966&hvpos=&hvnetw=g&hvrnd=12029634682343268211&hvppone=&hvptwo=&hvqmt=Oct.7,2020&hvdev=c&hvdvcmdl=&hvlocint=&hvlocphy=1027019&hvtargid=pla-1027957547208&pssc=1) (Year: 2020).\*

\* cited by examiner

*Primary Examiner* — Samantha Q Lawrence

(74) *Attorney, Agent, or Firm* — Kirton McConkie; Brian Tucker

(57) **CLAIM**

The ornamental design for a picket cap, as shown and described.

**DESCRIPTION**

FIG. 1 is a top left isometric view of a picket cap showing the claimed design;

FIG. 2 is another top left isometric view thereof;

FIG. 3 is a bottom right isometric view thereof;

FIG. 4 is a front elevation view thereof with the rear elevation view being identical thereto;

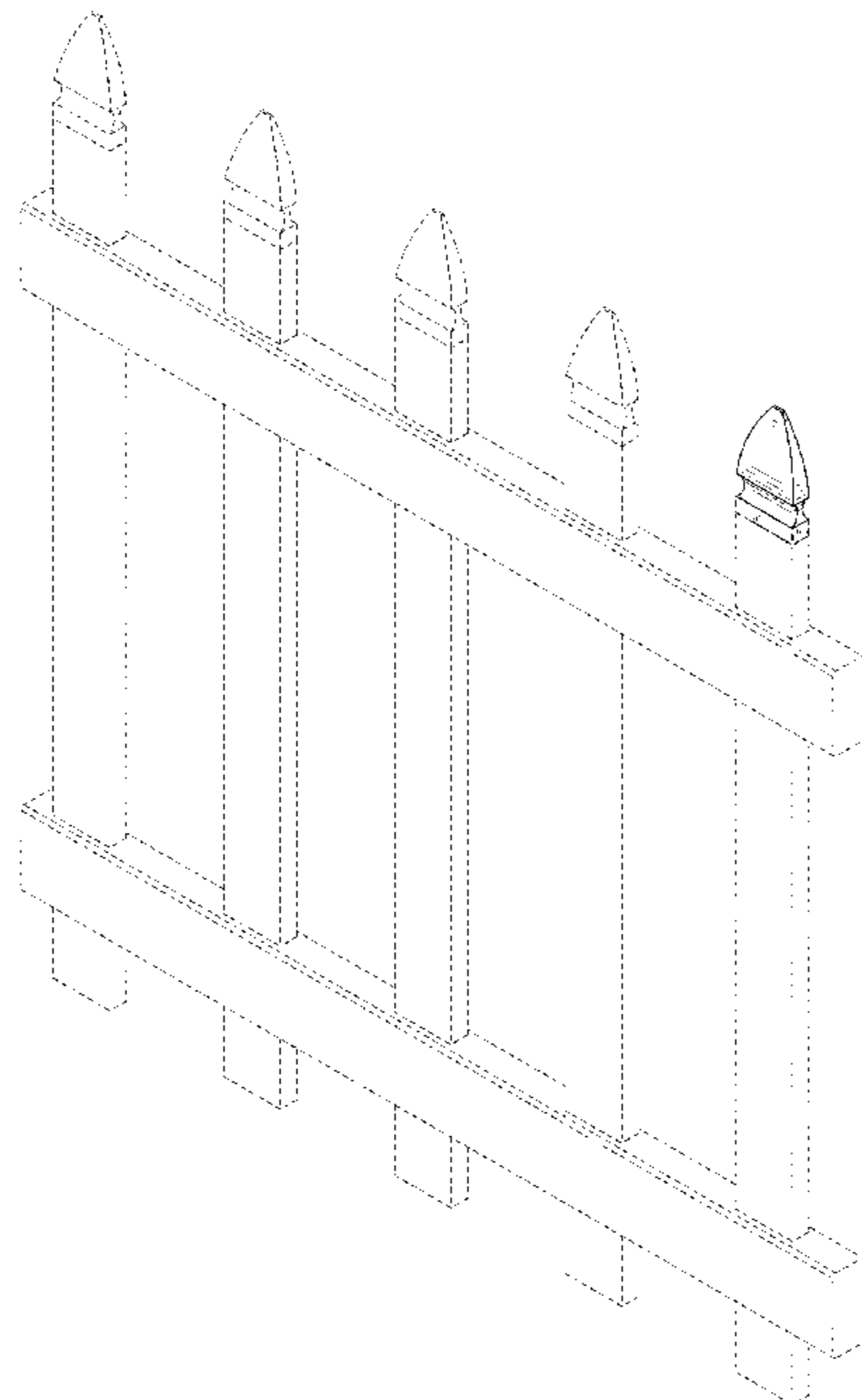
FIG. 5 is a right-side elevation view thereof with the left-side elevation view being identical thereto;

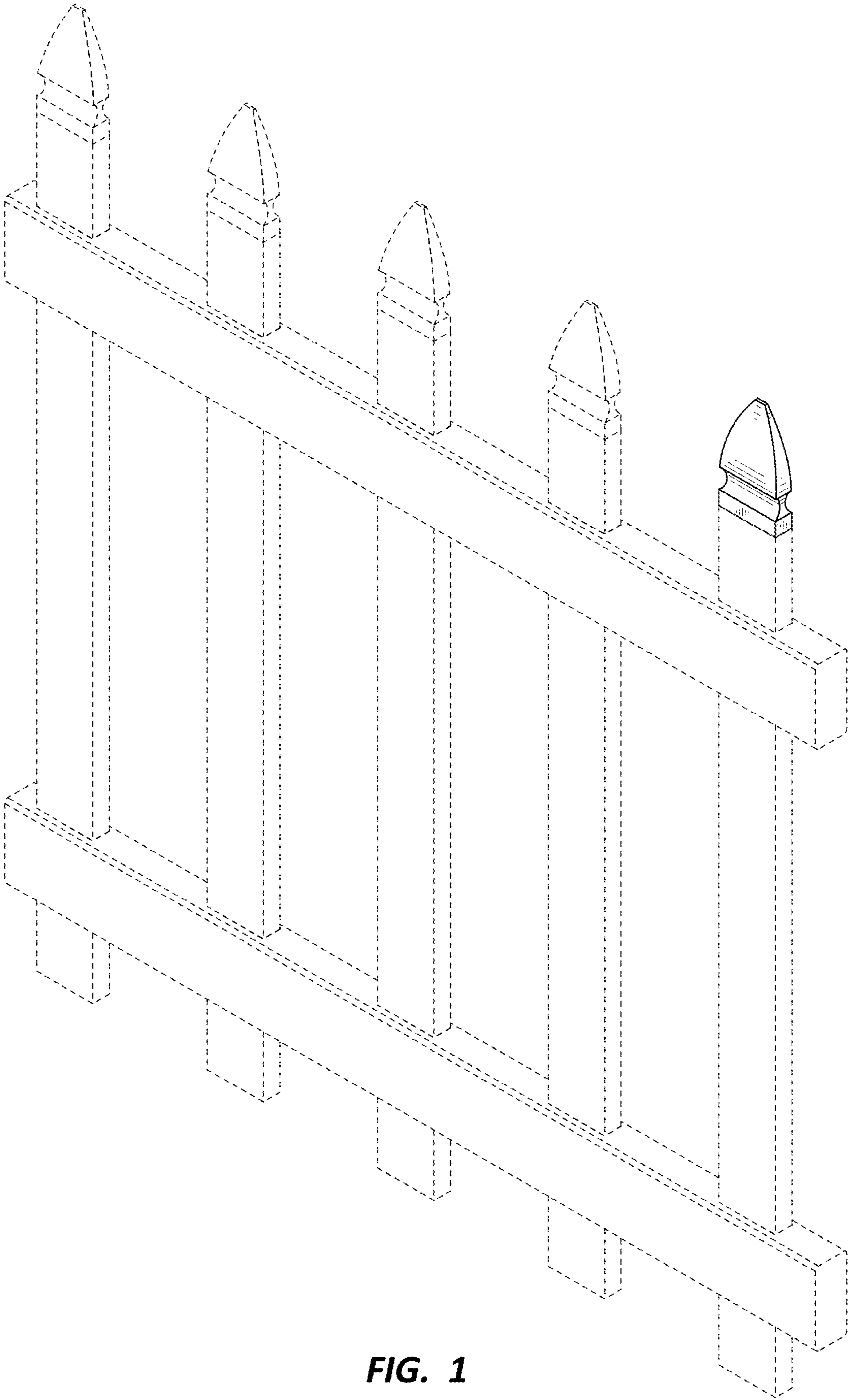
FIG. 6 is a top plan view thereof; and,

FIG. 7 is a bottom plan view thereof.

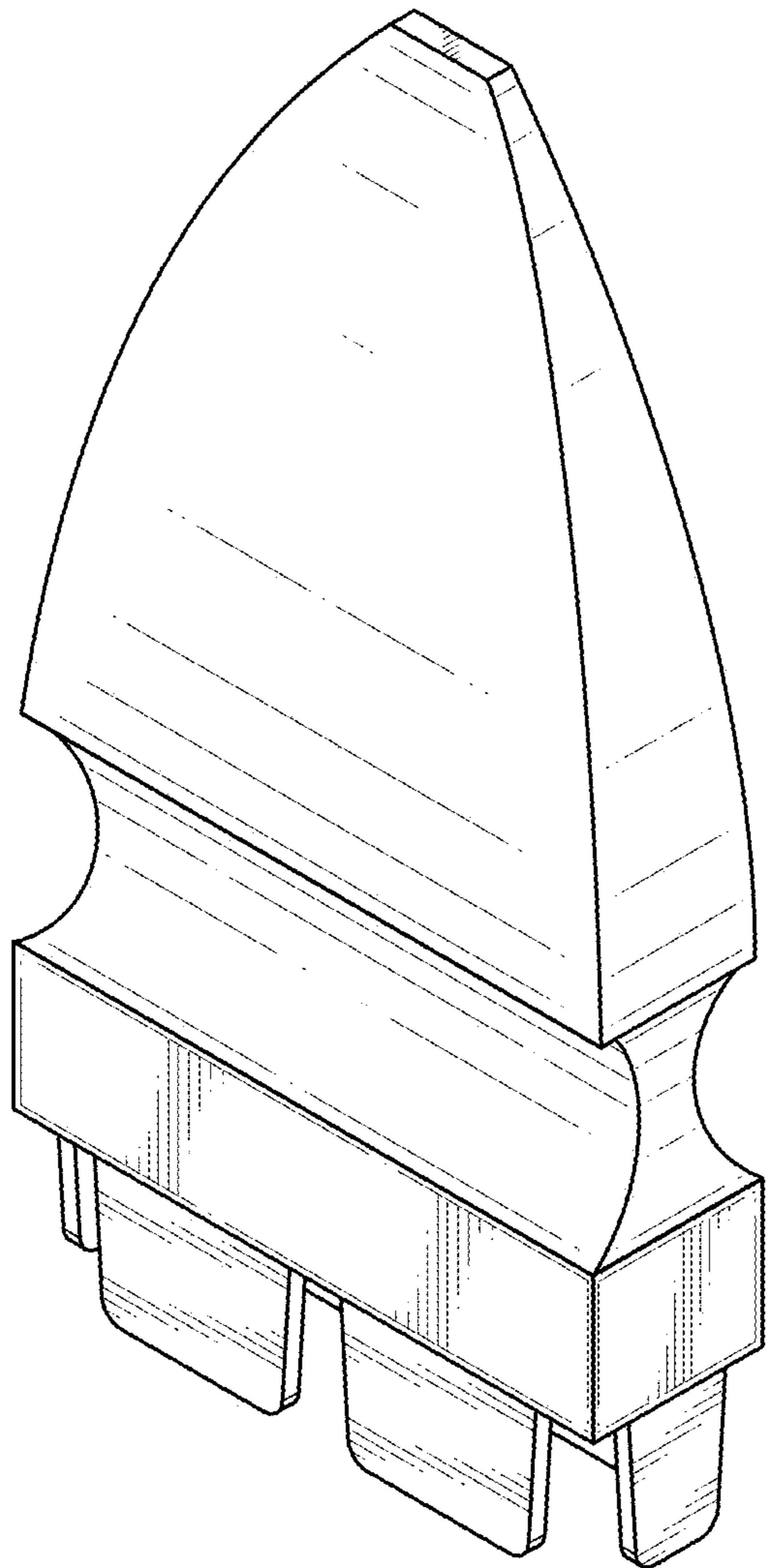
The broken lines in FIG. 1 represent a fence and form no part of the claimed design.

**1 Claim, 3 Drawing Sheets**

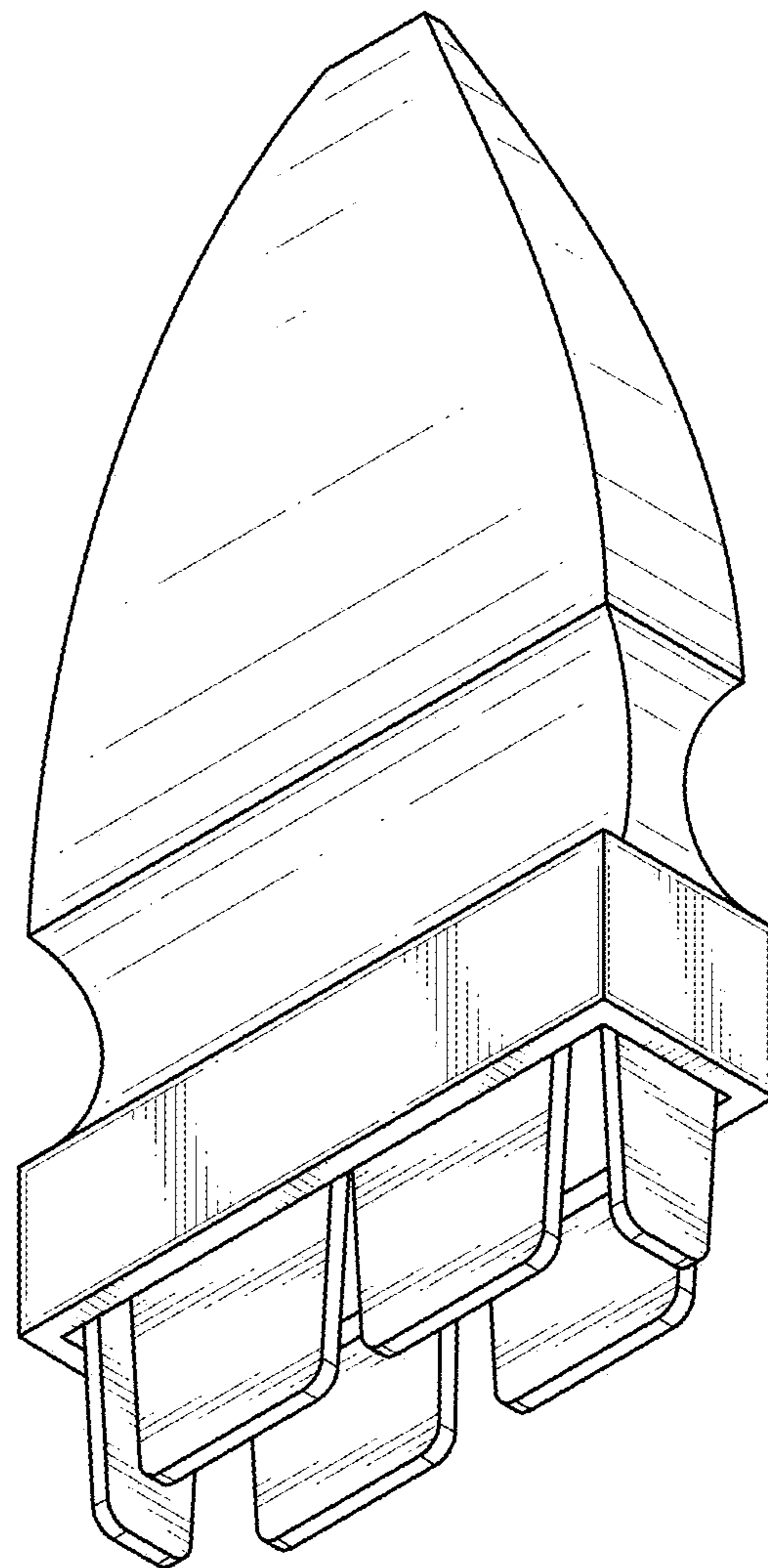




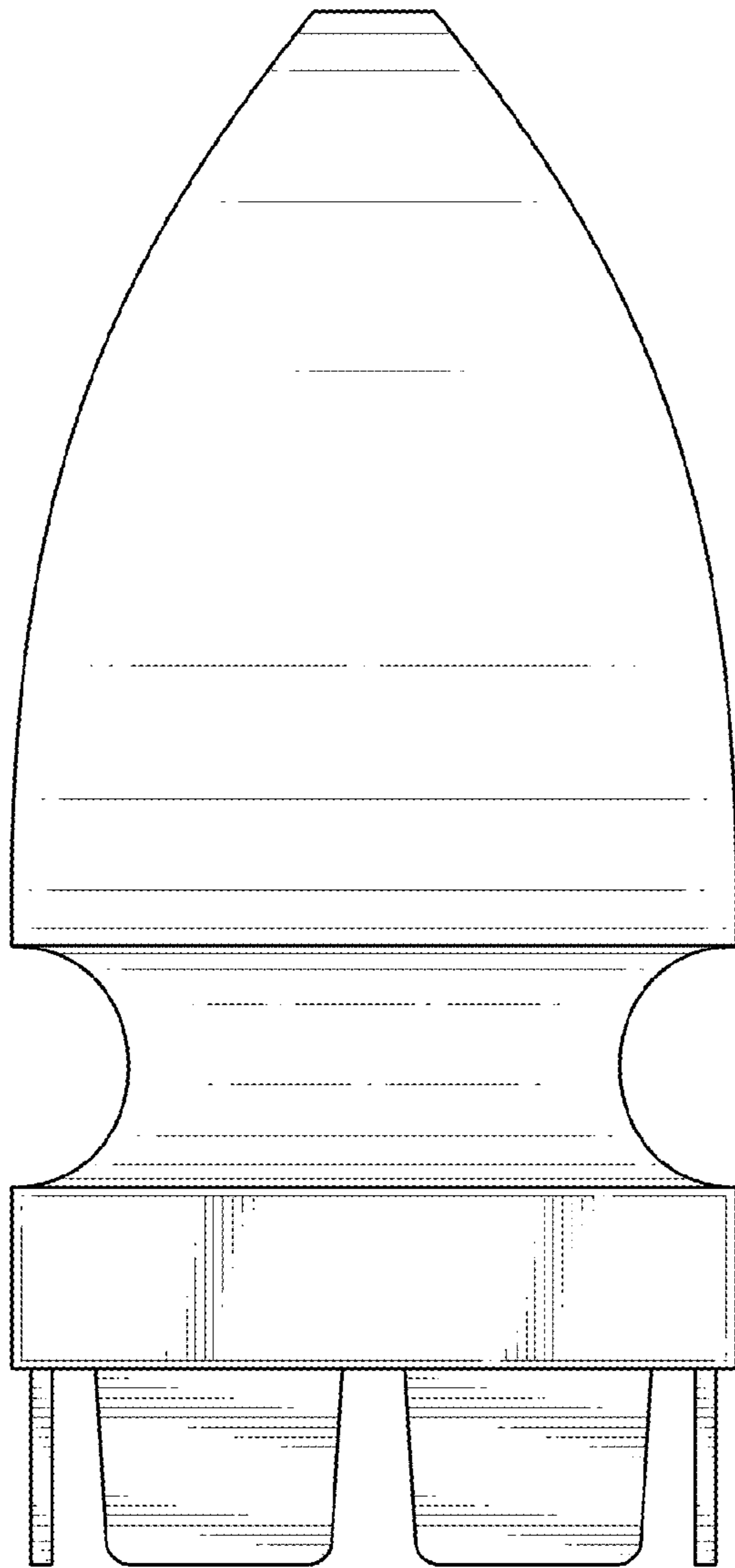
**FIG. 1**



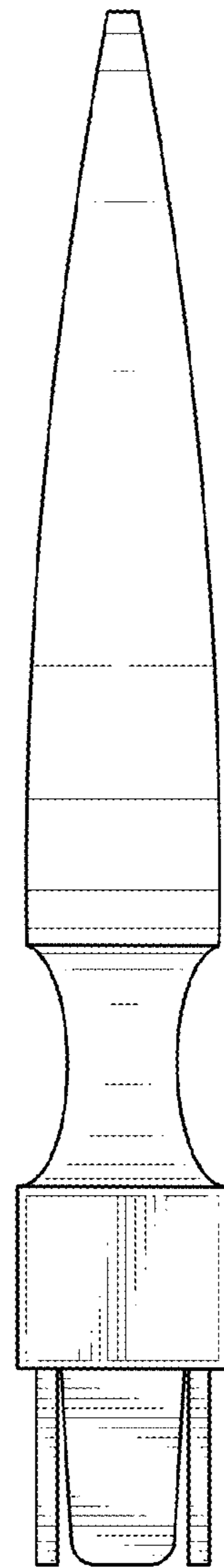
**FIG. 2**



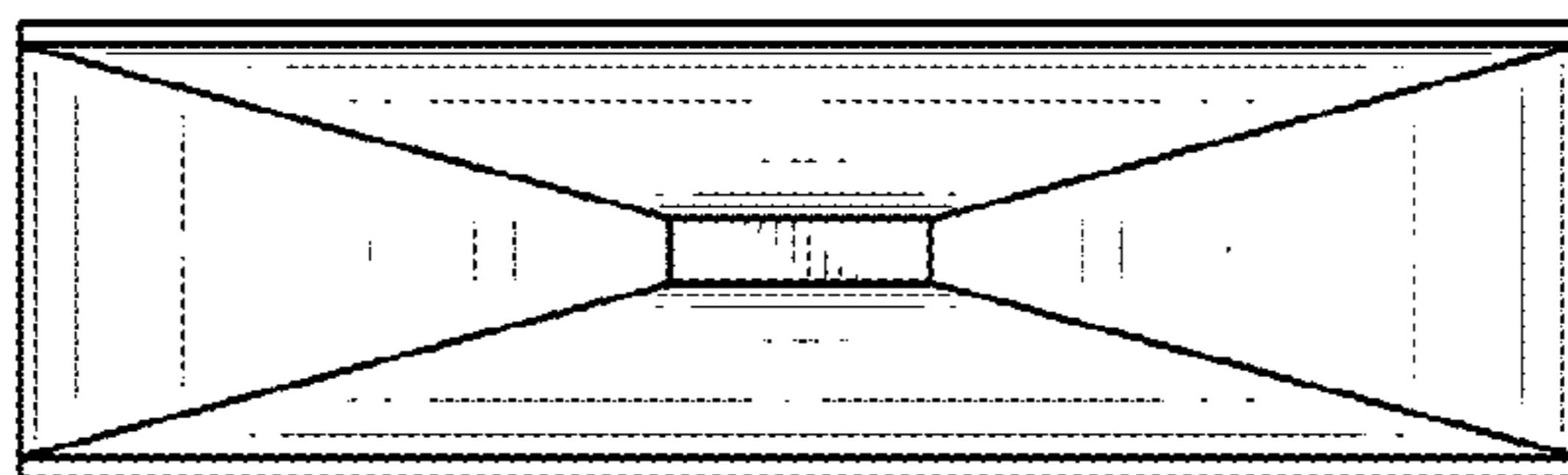
**FIG. 3**



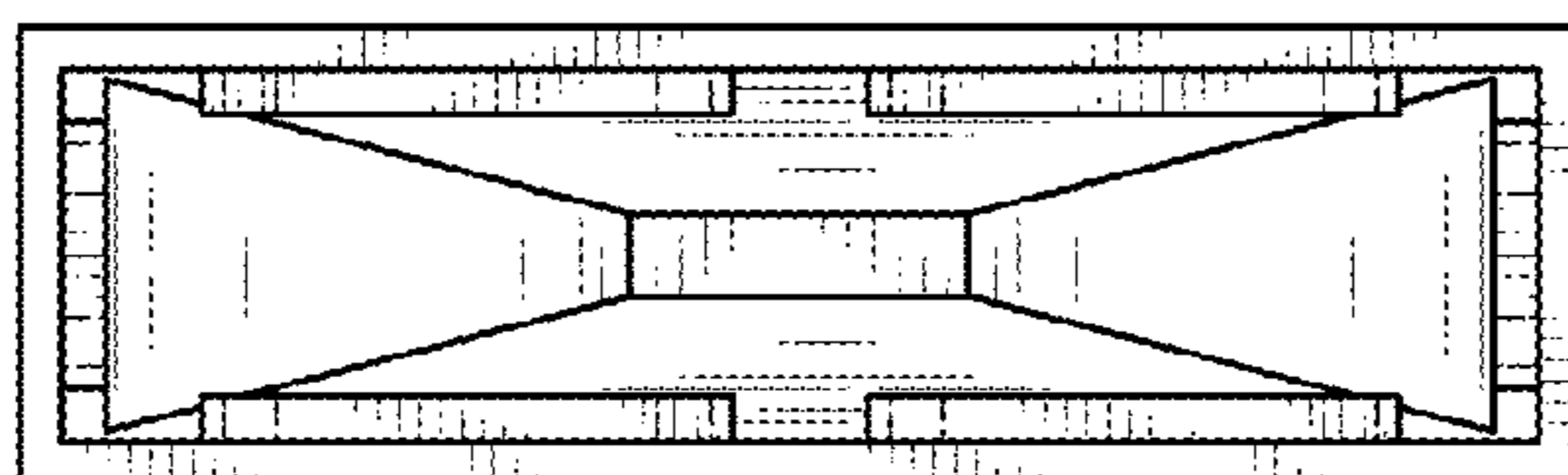
**FIG. 4**



**FIG. 5**



**FIG. 6**



**FIG. 7**