



US00D975880S

(12) **United States Design Patent**
Mumford, Sr.

(10) **Patent No.:** **US D975,880 S**
(45) **Date of Patent:** **** Jan. 17, 2023**

- (54) **TILE TRIM**
- (71) Applicant: **COLUMBIA ALUMINUM PRODUCTS, LLC**, City of Commerce, CA (US)
- (72) Inventor: **Drew Donald Mumford, Sr.**, Newport Coast, CA (US)
- (73) Assignee: **COLUMBIA ALUMINUM PRODUCTS, LLC**, City of Commerce, CA (US)
- (**) Term: **15 Years**
- (21) Appl. No.: **29/732,271**
- (22) Filed: **Apr. 23, 2020**
- (51) **LOC (14) Cl.** **25-01**
- (52) **U.S. Cl.**
USPC **D25/123**
- (58) **Field of Classification Search**
USPC D25/102, 119–123, 136, 137, 164, 199;
D8/403
CPC E04F 19/02; E04F 19/022; E04F 19/06;
E04F 19/061; E04F 19/062; E04F 19/063;
E04F 19/064; E04F 19/065; E04F 19/066;
E04F 19/067; E04F 11/16; E04F 11/163;
E04F 11/166
See application file for complete search history.

- 1,681,073 A * 8/1928 Harold E04F 11/166
280/169
- RE17,205 E * 2/1929 Loehr E04F 11/163
D25/164
- 1,743,982 A * 1/1930 Scott E04F 11/163
52/717.06
- 1,767,782 A * 6/1930 Awbrey E04F 11/163
280/169
- 1,936,224 A * 11/1933 Awbrey E04F 11/163
D25/136
- 1,940,744 A * 12/1933 Dillig E04F 11/163
52/179

(Continued)

Primary Examiner — Llorelys Martinez
(74) *Attorney, Agent, or Firm* — Kevin Schraven; Anooj Patel; Hankin Patent Law, APC

(57) **CLAIM**

The ornamental design for a tile trim, as shown and described.

DESCRIPTION

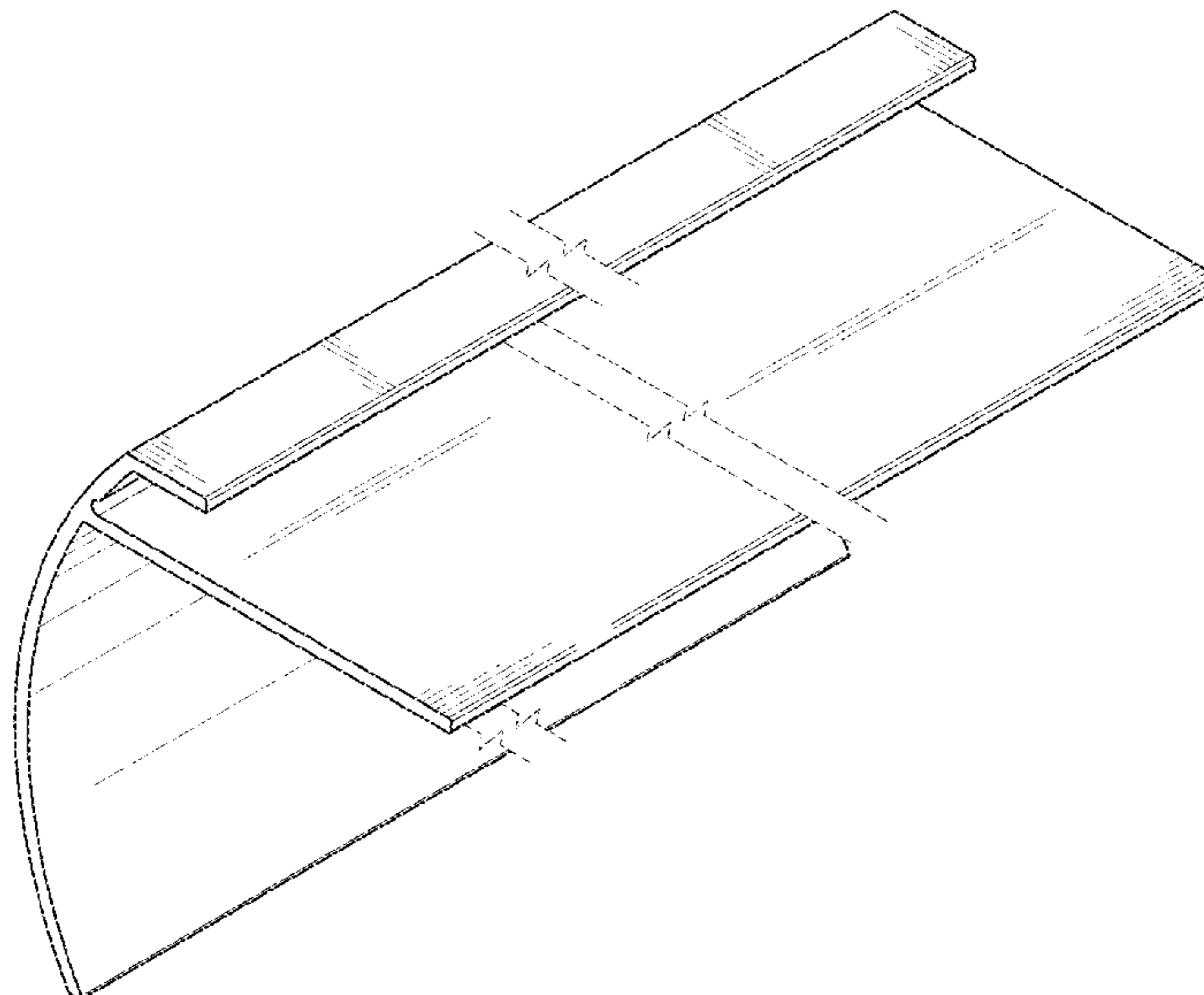
FIG. 1 is an inside perspective view of a tile trim, showing a first embodiment of my new design.
FIG. 2 is an end elevational view thereof.
FIG. 3 is an inner plan view thereof.
FIG. 4 is an outer plan view thereof.
FIG. 5 is a front elevational view thereof.
FIG. 6 is a rear elevational view thereof.
FIG. 7 is an inside perspective view of a tile trim, showing a second embodiment of my new design.
FIG. 8 is an end elevational view thereof.
FIG. 9 is an inner plan view thereof.
FIG. 10 is an outer plan view thereof.
FIG. 11 is a front elevational view thereof; and,
FIG. 12 is a rear elevational view thereof.
The tile trim is shown with a symbolic break in its length. The appearance of any portion of the tile trim between the break lines forms no part of the claimed design.

1 Claim, 12 Drawing Sheets

(56) **References Cited**

U.S. PATENT DOCUMENTS

- 718,821 A * 1/1903 Cooper E04F 11/163
52/717.06
- 973,346 A * 10/1910 Davis E04F 11/166
280/169
- 1,611,211 A * 12/1926 Charles E04F 11/163
52/717.06
- 1,675,198 A * 6/1928 Scott E04F 11/166
52/717.06



(56)

References Cited

U.S. PATENT DOCUMENTS

2,835,937 A * 5/1958 Hobbs E04F 11/166
52/181
3,287,867 A * 11/1966 Aton E04F 11/163
52/287.1
D288,369 S * 2/1987 Lynch D25/119
D300,565 S * 4/1989 Meshulam D25/119
D302,858 S * 8/1989 Dunnick D25/119
4,905,431 A * 3/1990 Davis E04F 11/16
52/177
D408,559 S * 4/1999 Rekret D25/119
D428,160 S * 7/2000 Ginzel D25/119
D573,267 S * 7/2008 Brinton D25/119
2016/0138284 A1 * 5/2016 Murphy E04F 11/163
52/741.3
2018/0010346 A1 * 1/2018 Moore E04F 11/163
2020/0299970 A1 * 9/2020 Raine E04F 11/166

* cited by examiner

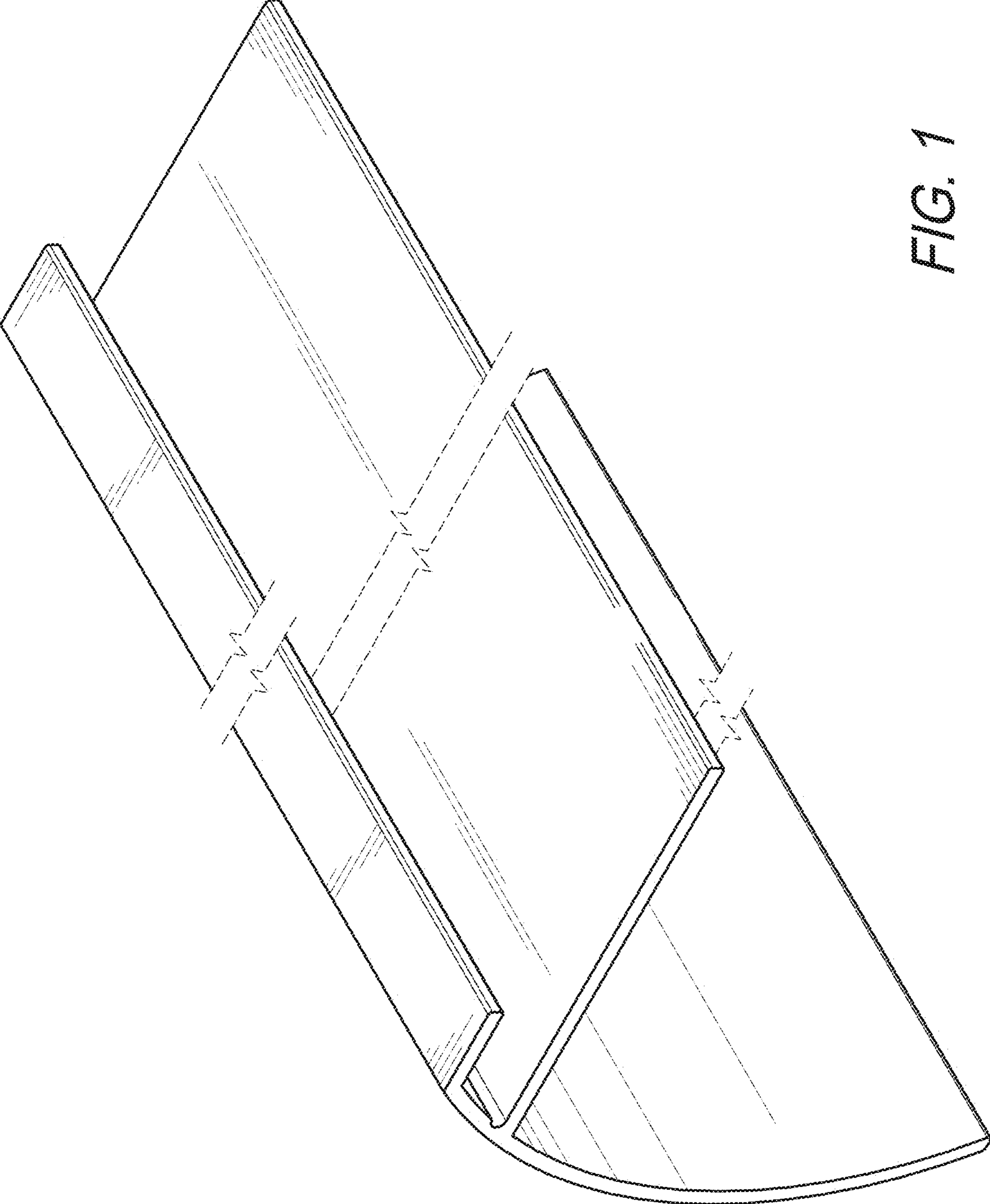


FIG. 1

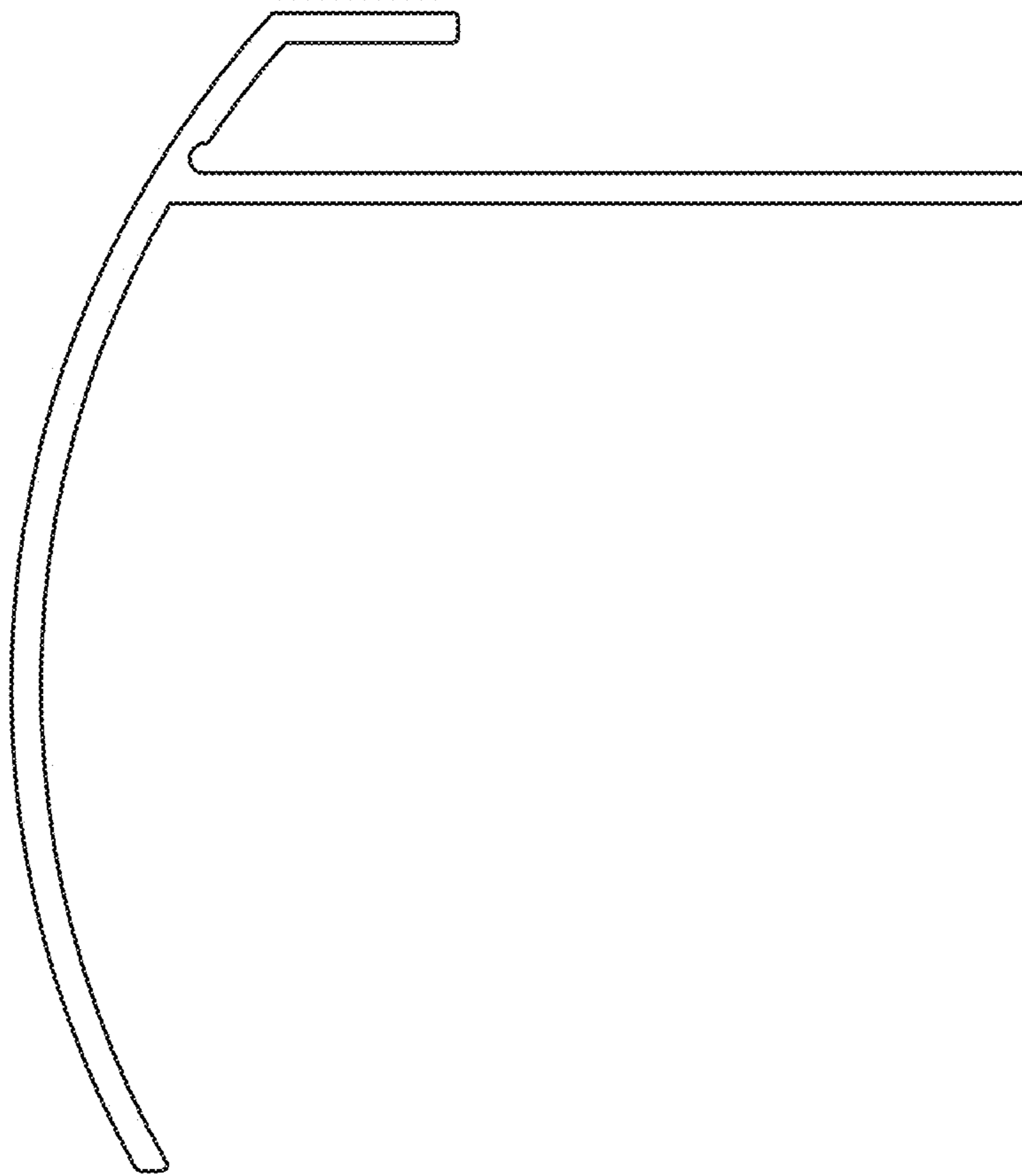


FIG. 2

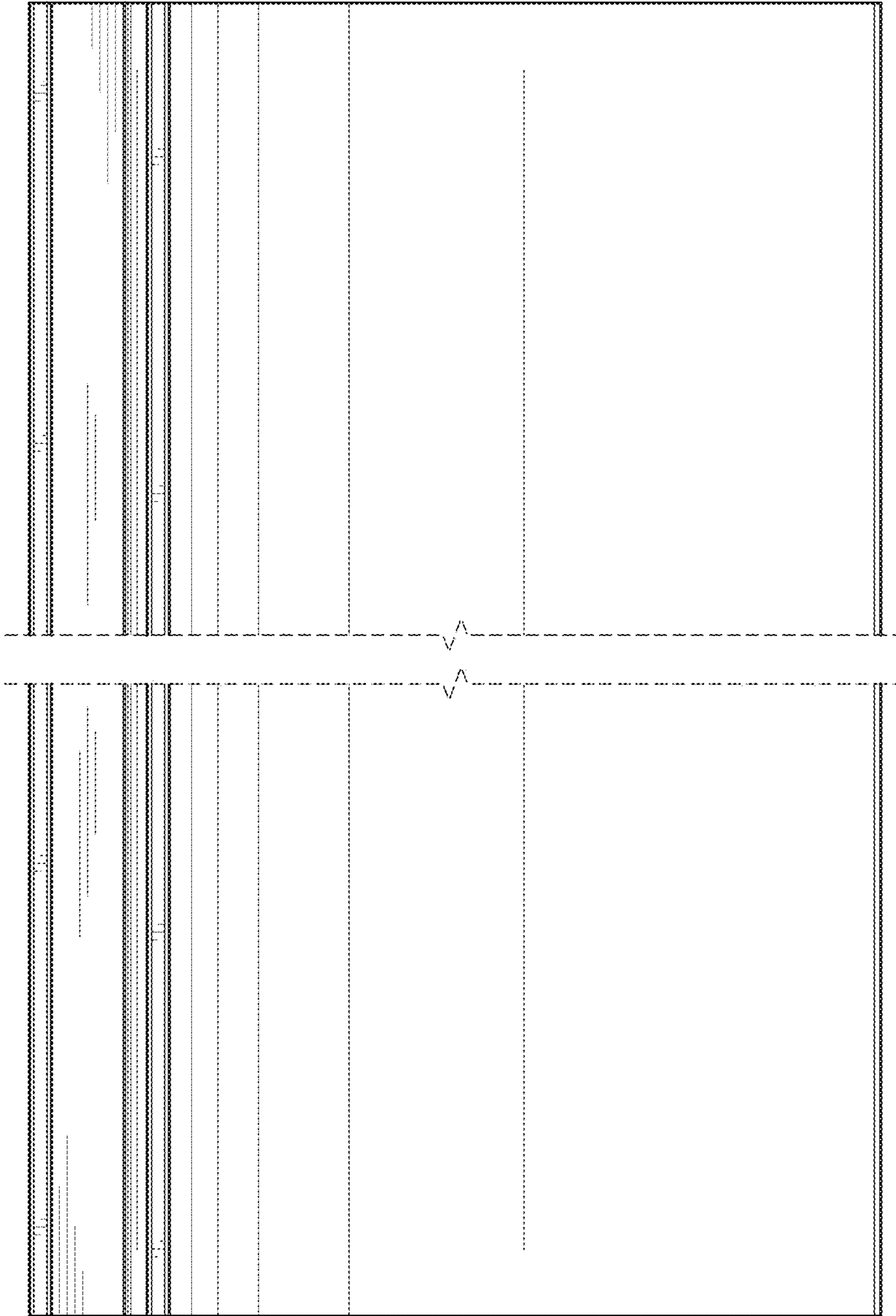


FIG. 3

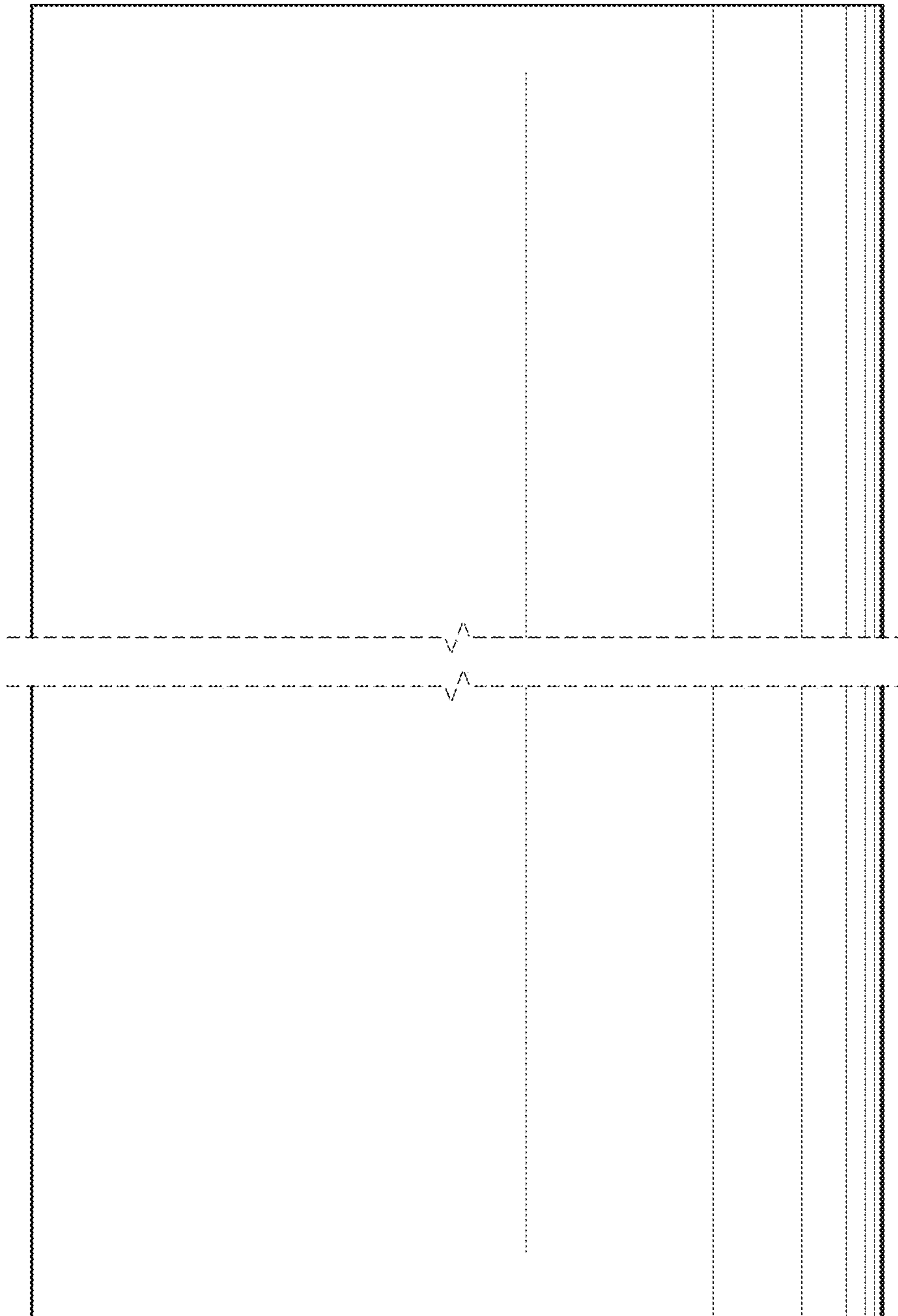


FIG. 4

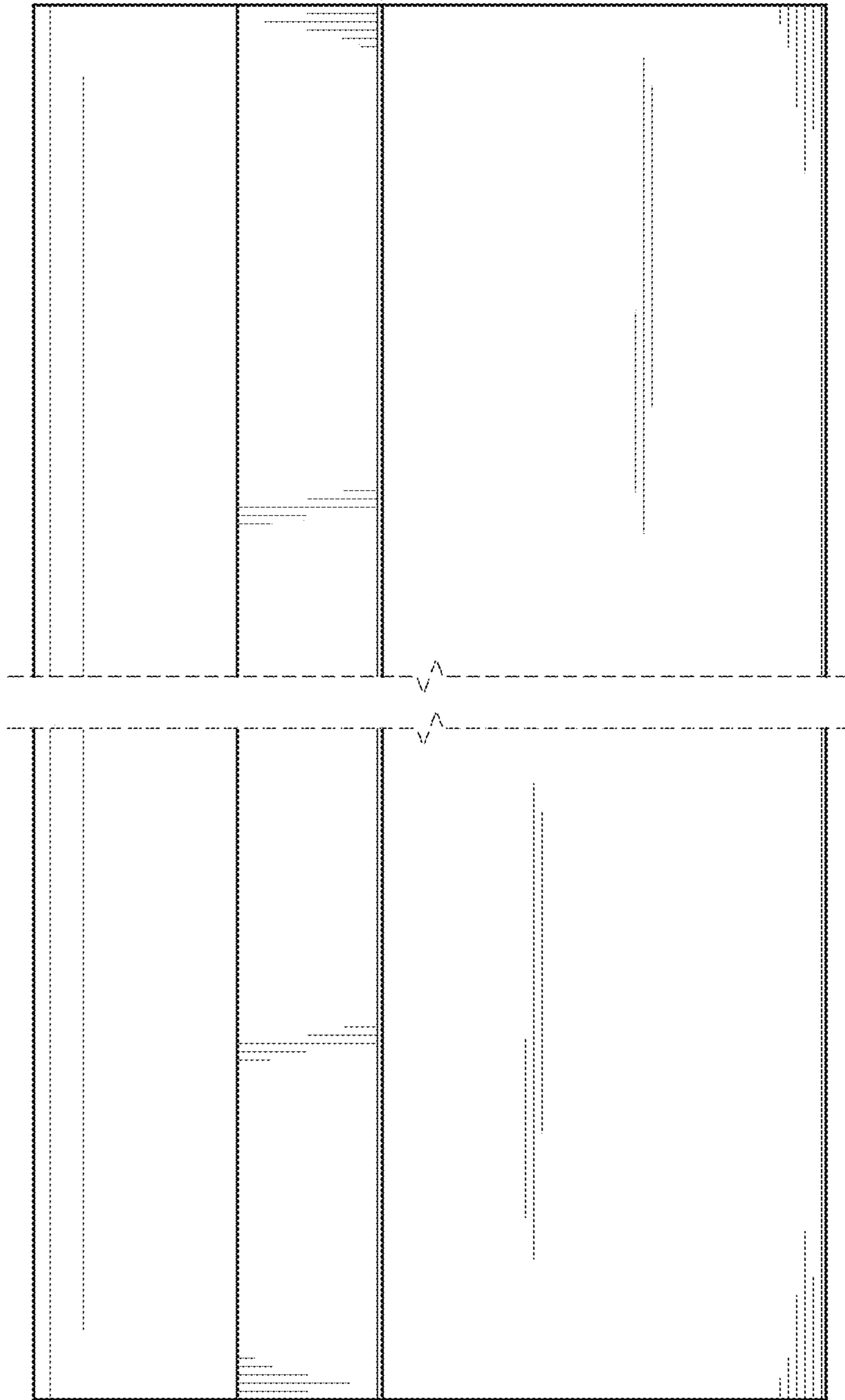


FIG. 5

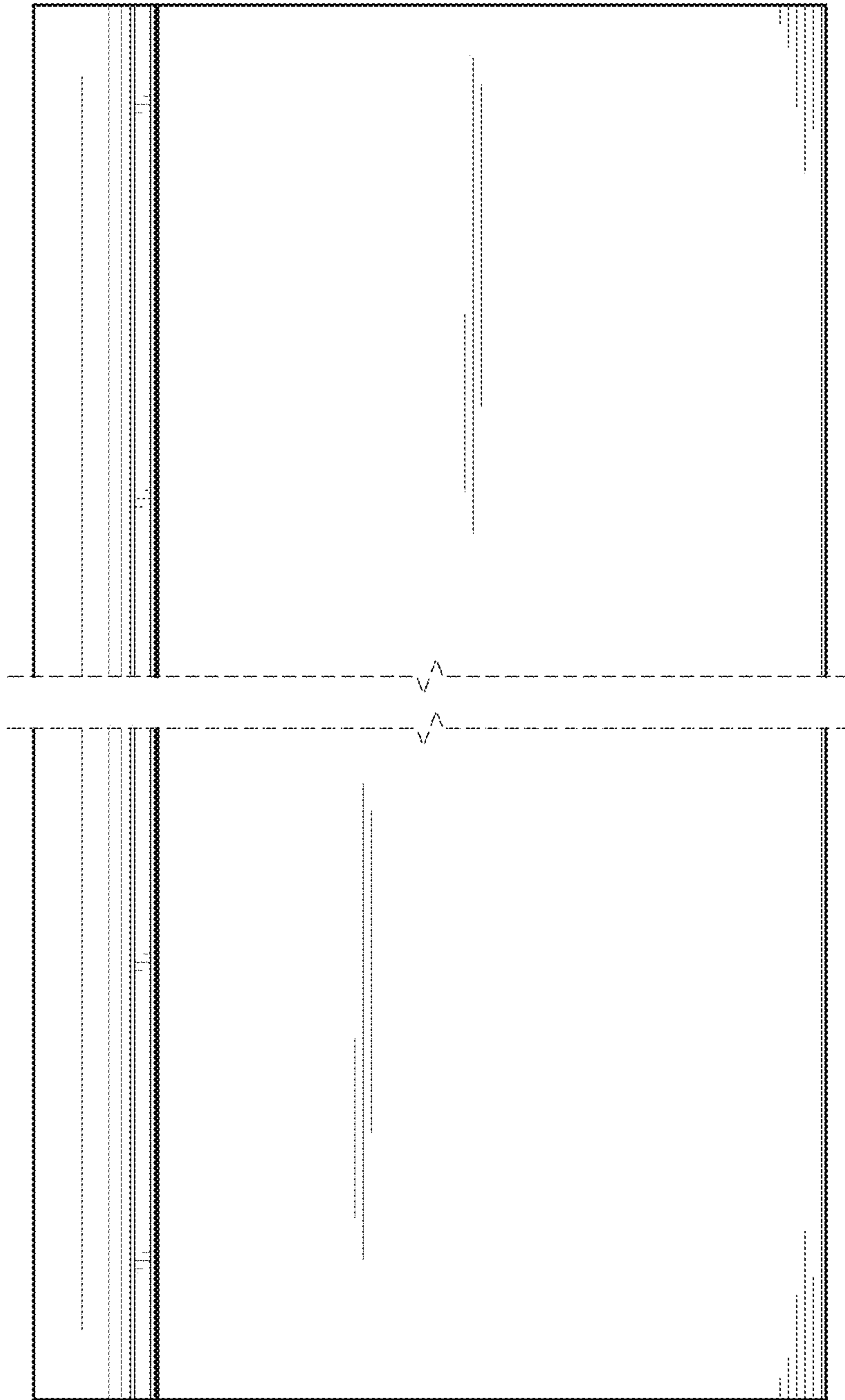


FIG. 6

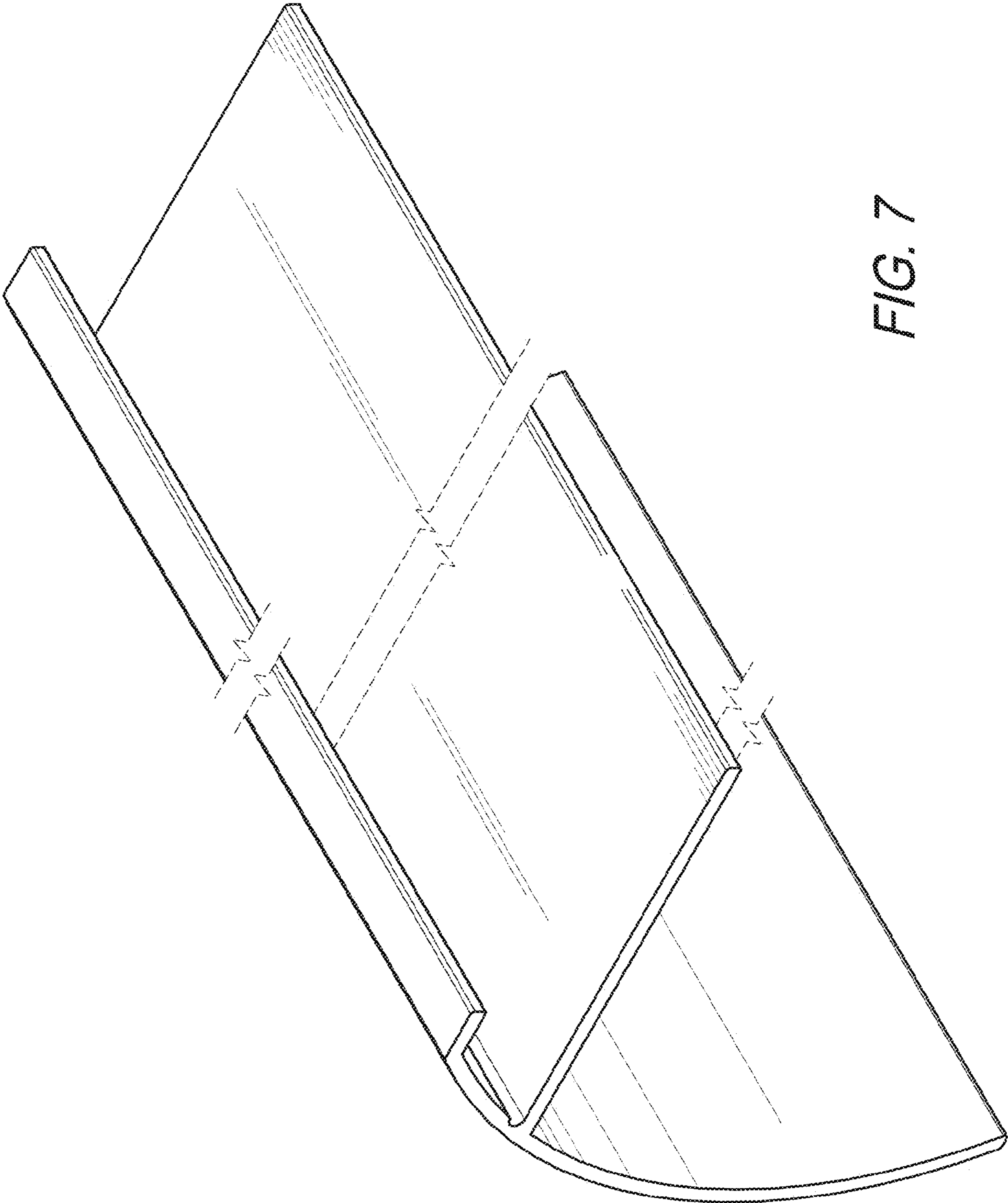


FIG. 7

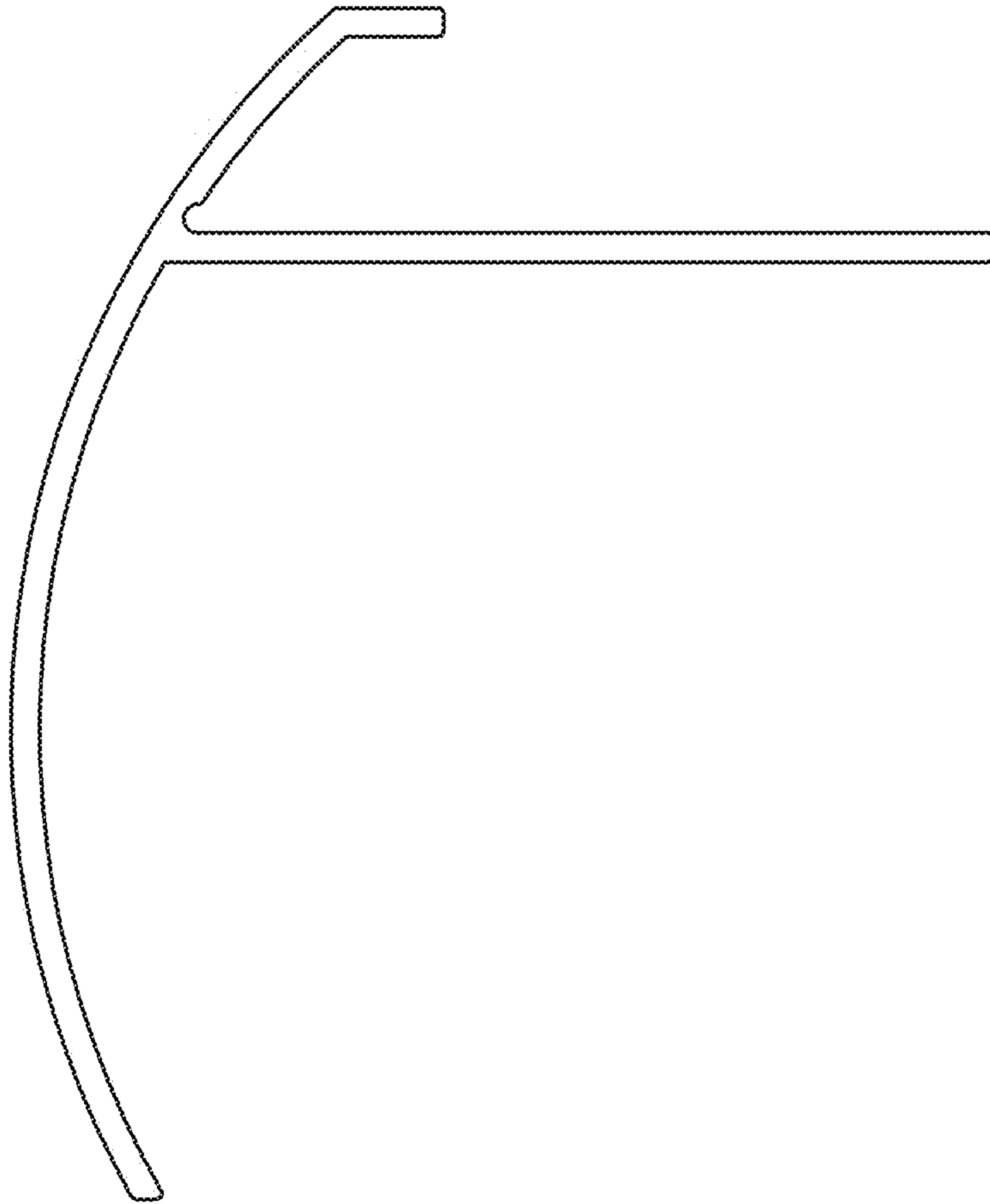


FIG. 8

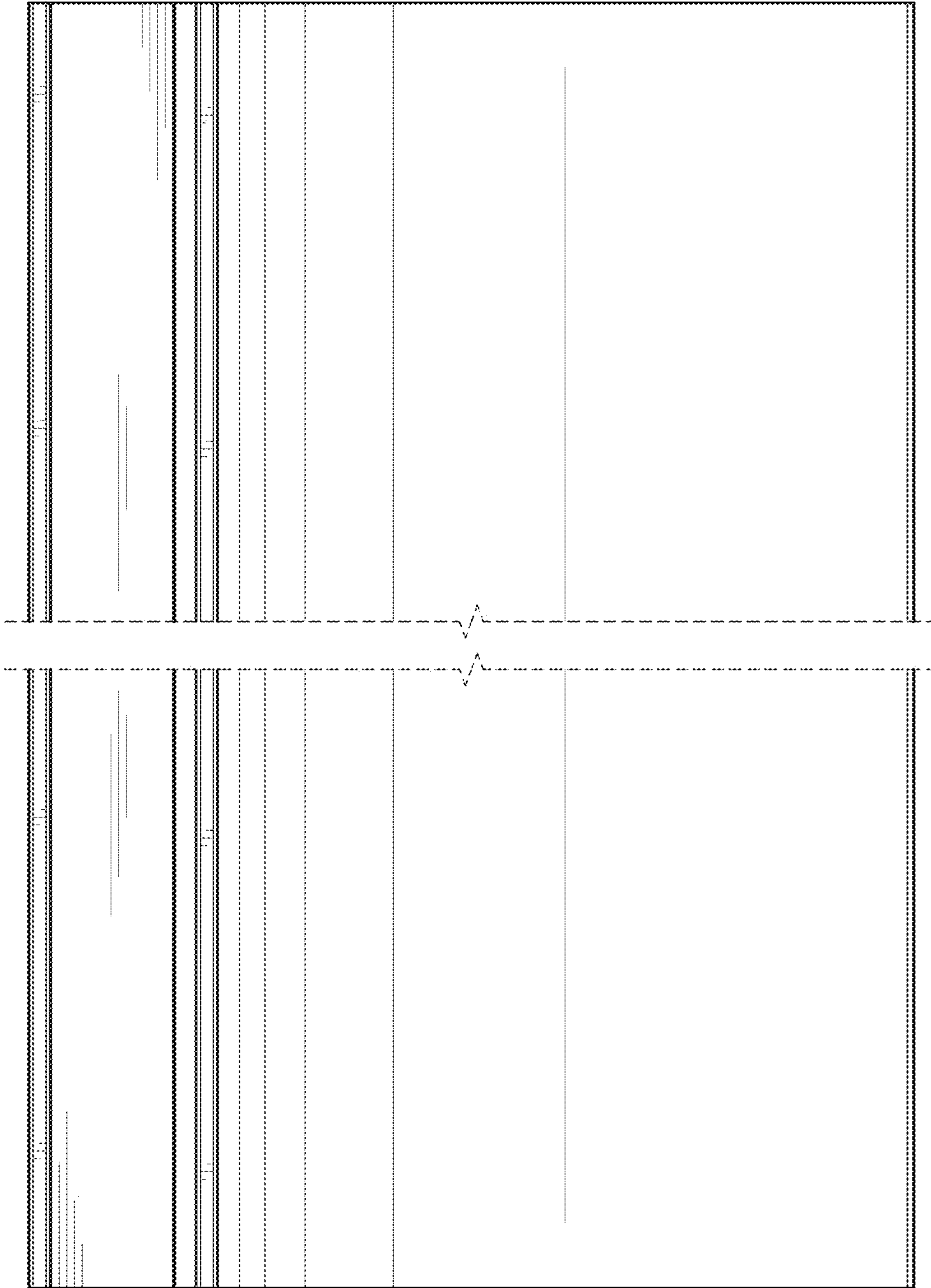


FIG. 9

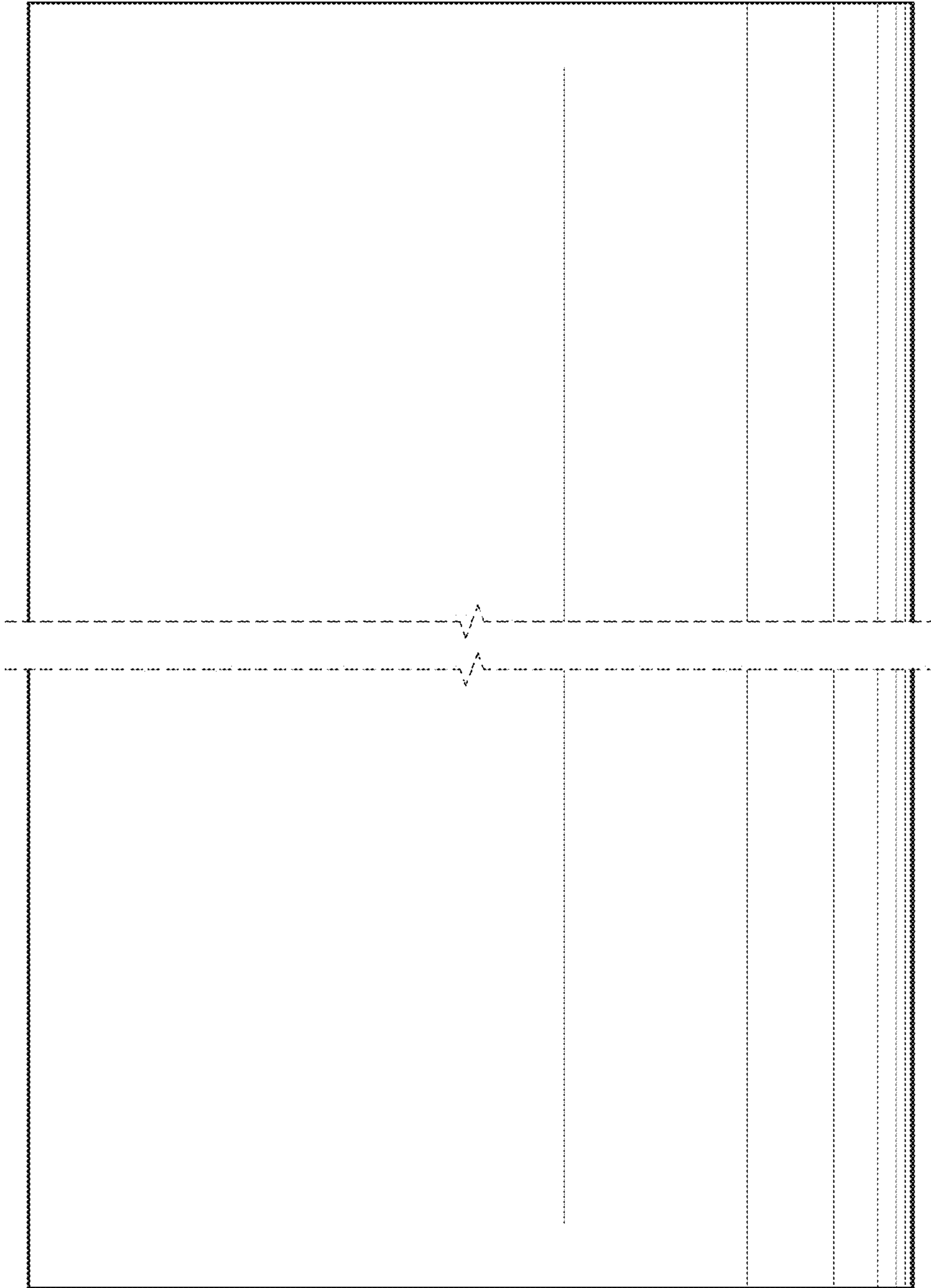


FIG. 10

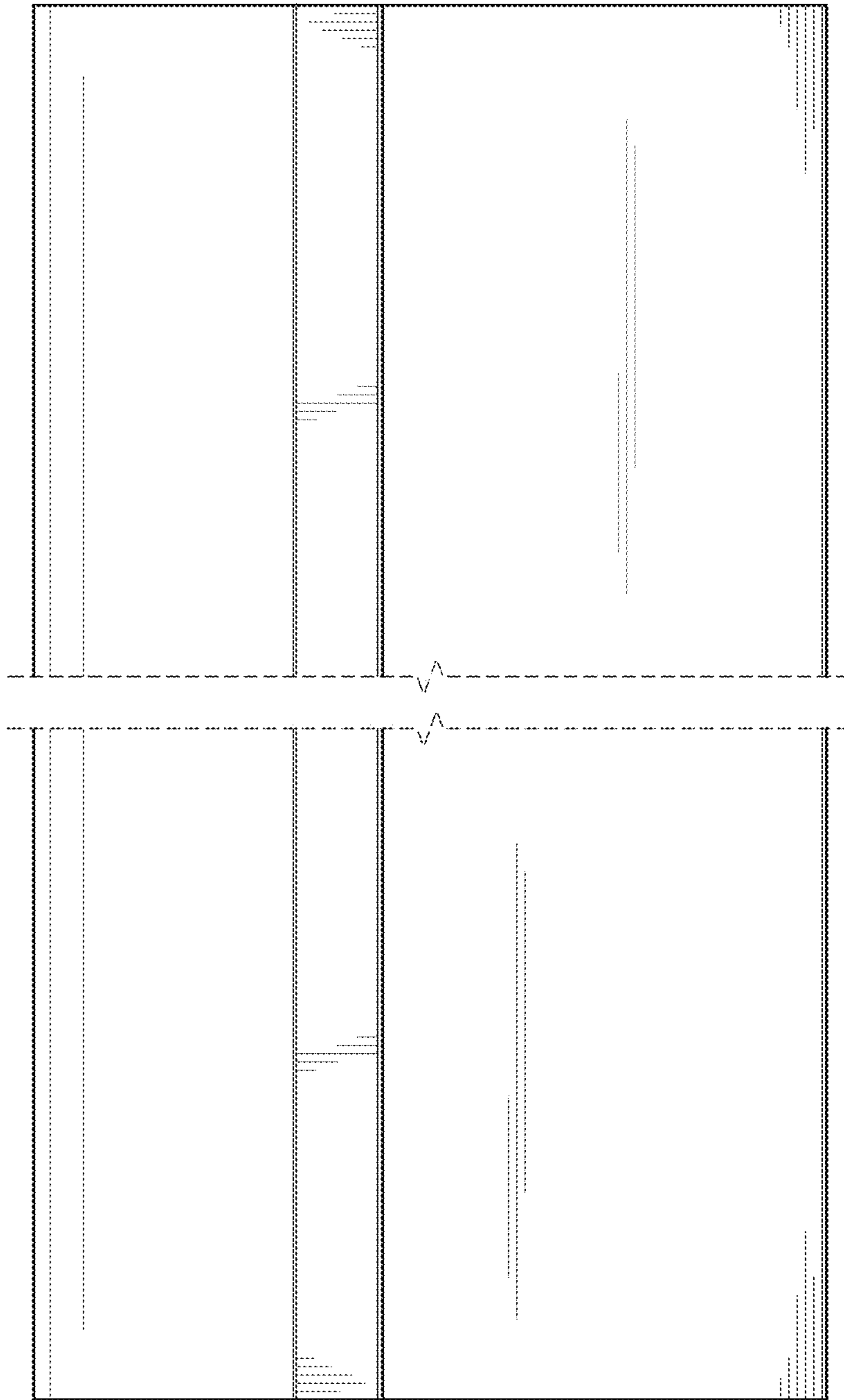


FIG. 11

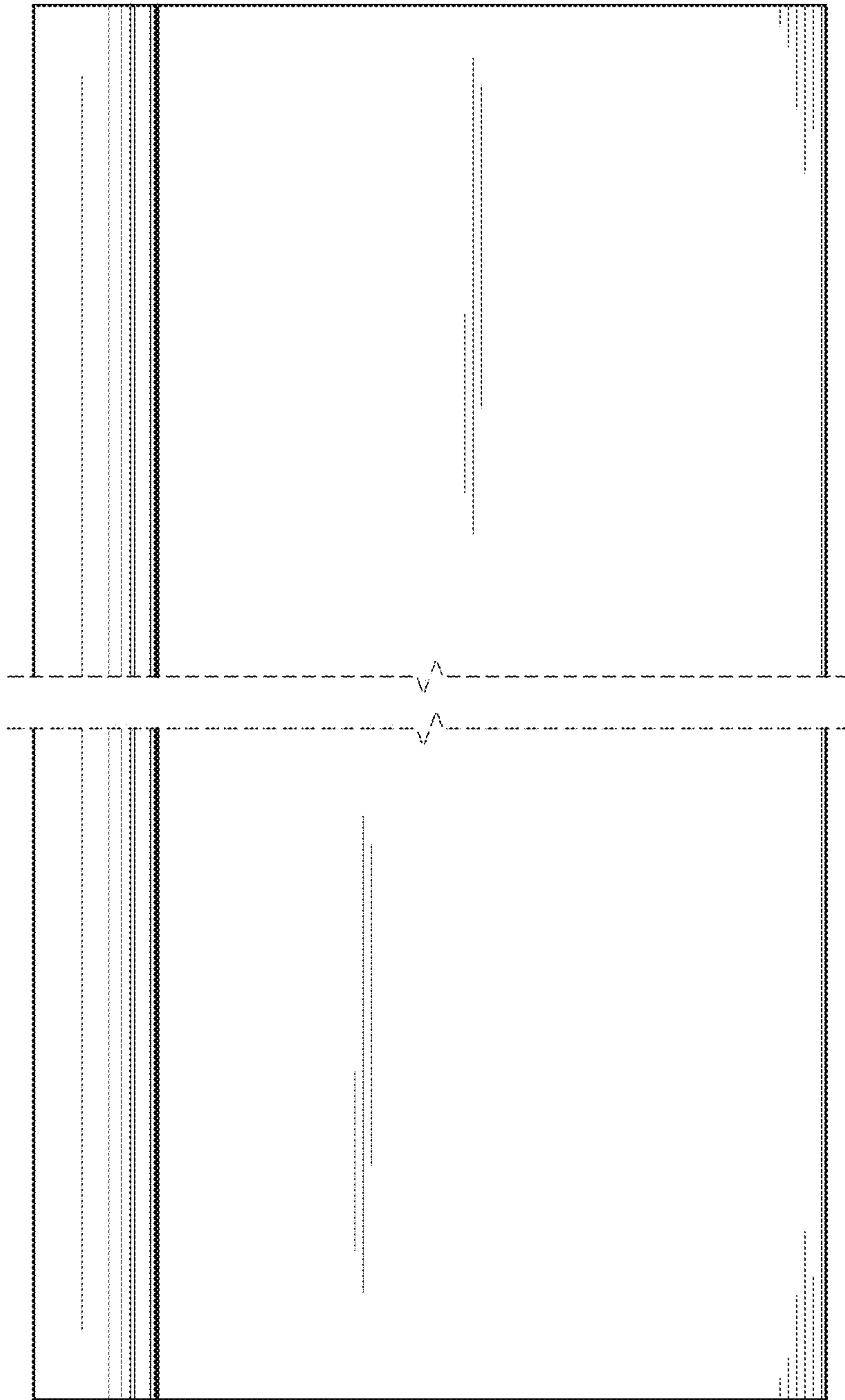


FIG. 12