



US00D975878S

(12) **United States Design Patent**
Mumford, Sr.

(10) **Patent No.:** **US D975,878 S**

(45) **Date of Patent:** **** Jan. 17, 2023**

(54) **TILE TRIM**

(71) Applicant: **COLUMBIA ALUMINUM PRODUCTS, LLC**, City of Commerce, CA (US)

(72) Inventor: **Drew Donald Mumford, Sr.**, Newport Coast, CA (US)

(73) Assignee: **COLUMBIA ALUMINUM PRODUCTS, LLC**, City of Commerce, CA (US)

(**) Term: **15 Years**

(21) Appl. No.: **29/732,269**

(22) Filed: **Apr. 22, 2020**

(51) **LOC (14) Cl.** **25-01**

(52) **U.S. Cl.**
USPC **D25/119**

(58) **Field of Classification Search**
USPC D25/102, 119-123, 136, 137, 164, 199; D8/403
CPC E04F 19/02; E04F 19/022; E04F 19/06; E04F 19/061; E04F 19/062; E04F 19/063; E04F 19/064; E04F 19/065; E04F 19/066; E04F 19/067; E04F 11/16; E04F 11/163; E04F 11/166

See application file for complete search history.

(56) **References Cited**

U.S. PATENT DOCUMENTS

D275,036 S *	8/1984	Lloyd-Jones	D25/119
D352,362 S *	11/1994	Anderson	D25/136
D360,038 S *	7/1995	Bancroft	D25/119
D364,233 S *	11/1995	Caley	D25/119
D364,234 S *	11/1995	Caley	D25/119
D382,977 S *	8/1997	Gearing	D25/119
D404,806 S *	1/1999	Callahan	D25/119

D405,194 S *	2/1999	Kenkel	D25/119
D462,787 S *	9/2002	Scalzott	D25/119
6,474,032 B1 *	11/2002	Wynn	E04F 19/02 52/60
D711,556 S *	8/2014	Singh	D25/119
D734,871 S *	7/2015	Wright	D25/119
D768,877 S *	10/2016	Mumford, Sr.	D25/119
D768,879 S *	10/2016	Mumford, Sr.	D25/119
D769,459 S *	10/2016	Mumford, Sr.	D25/119
D769,461 S *	10/2016	Mumford, Sr.	D25/119
D790,080 S *	6/2017	Mumford, Sr.	D25/119
D791,349 S *	7/2017	Singh	D25/119

(Continued)

Primary Examiner — Llorellys Martinez

(74) *Attorney, Agent, or Firm* — Kevin Schraven; Anooj Patel; Hankin Patent Law, APC

(57) **CLAIM**

The ornamental design for a tile trim, as shown and described.

DESCRIPTION

FIG. 1 is a top perspective view of a tile trim, showing a first embodiment of my new design.

FIG. 2 is an end elevational view thereof.

FIG. 3 is a front side elevational view thereof.

FIG. 4 is a rear side elevational view thereof.

FIG. 5 is a top plan view thereof.

FIG. 6 is a bottom plan view thereof.

FIG. 7 is a top perspective view of a tile trim, showing a second embodiment of my new design.

FIG. 8 is an end elevational view thereof.

FIG. 9 is a front side elevational view thereof.

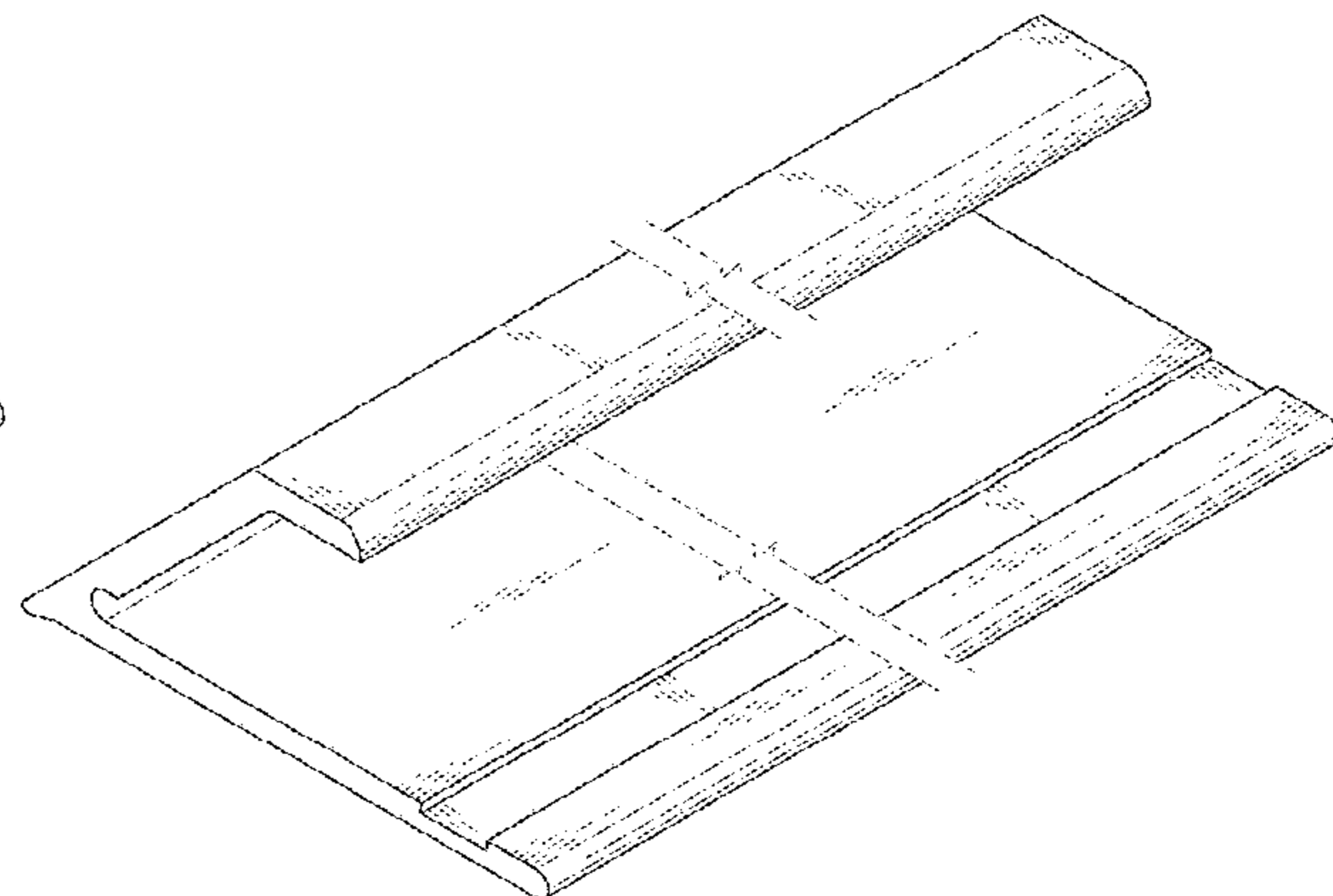
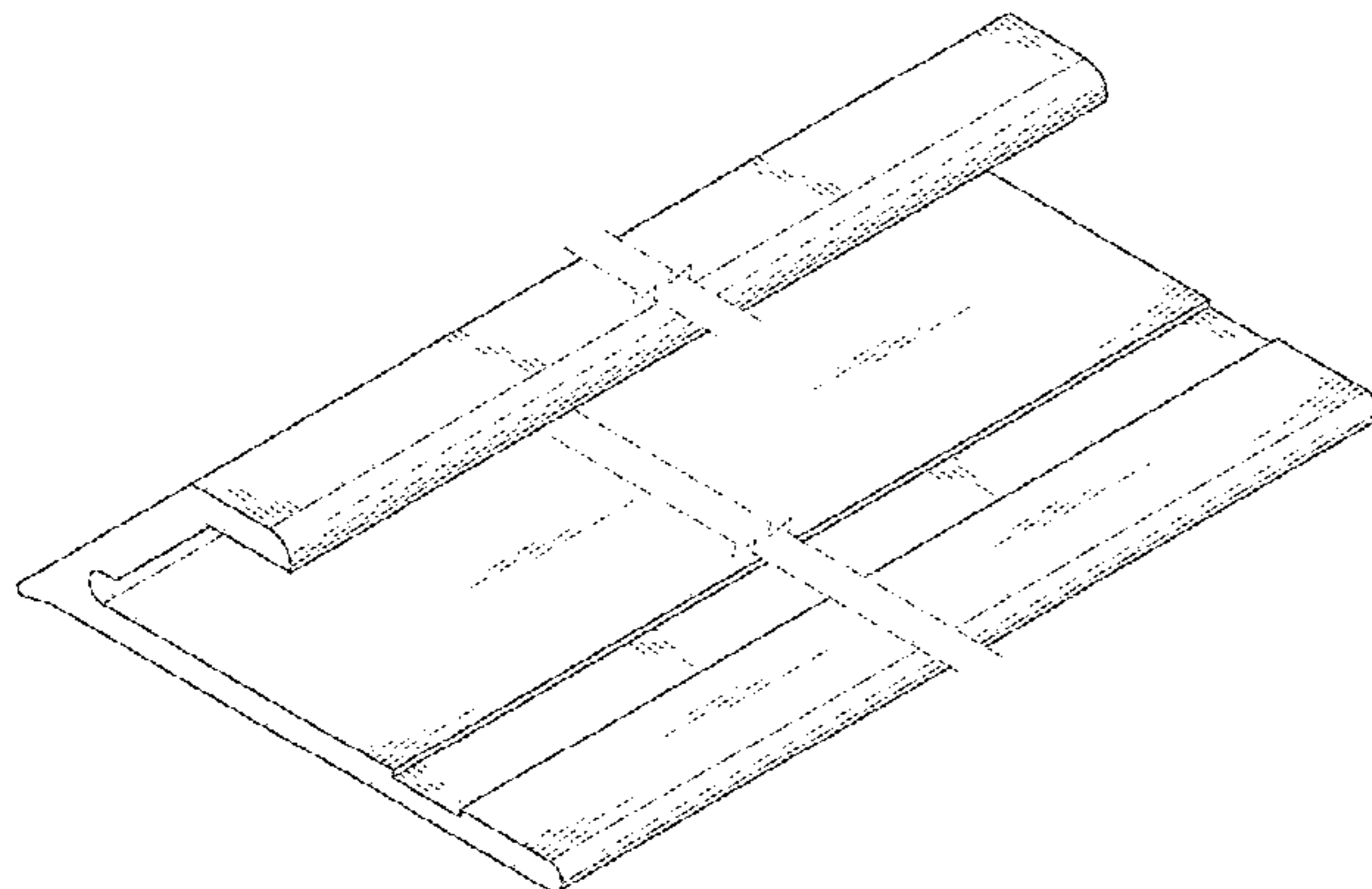
FIG. 10 is a rear side elevational view thereof.

FIG. 11 is a top plan view thereof; and,

FIG. 12 is a bottom plan view thereof.

The tile trim is shown with a symbolic break in its length. The appearance of any portion of the tile trim between the break lines forms no part of the claimed design.

1 Claim, 10 Drawing Sheets



(56)

References Cited

U.S. PATENT DOCUMENTS

D859,611 S * 9/2019 Gori D25/119
2021/0010278 A1* 1/2021 Erickson E04F 11/163

* cited by examiner

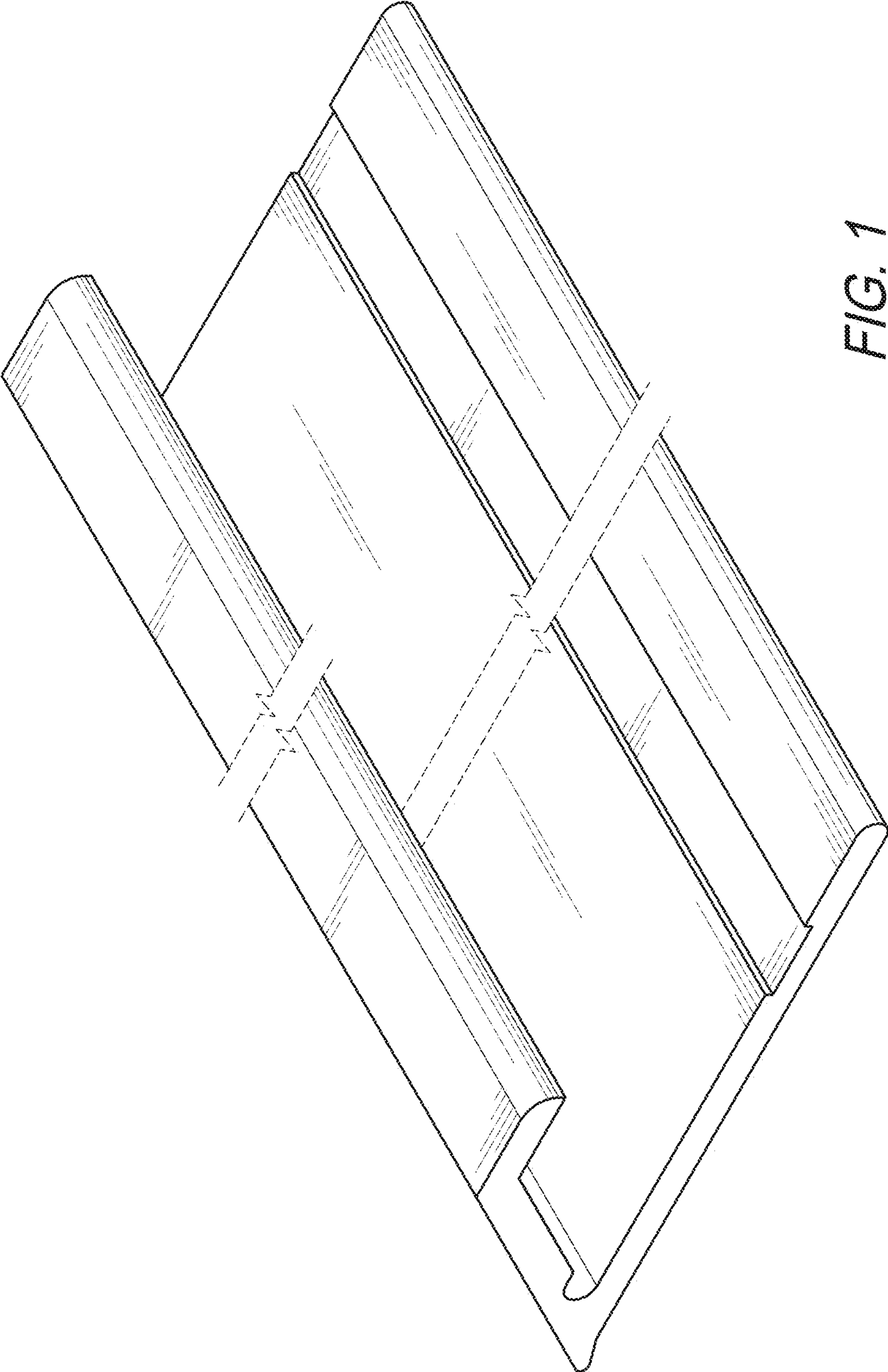


FIG. 1

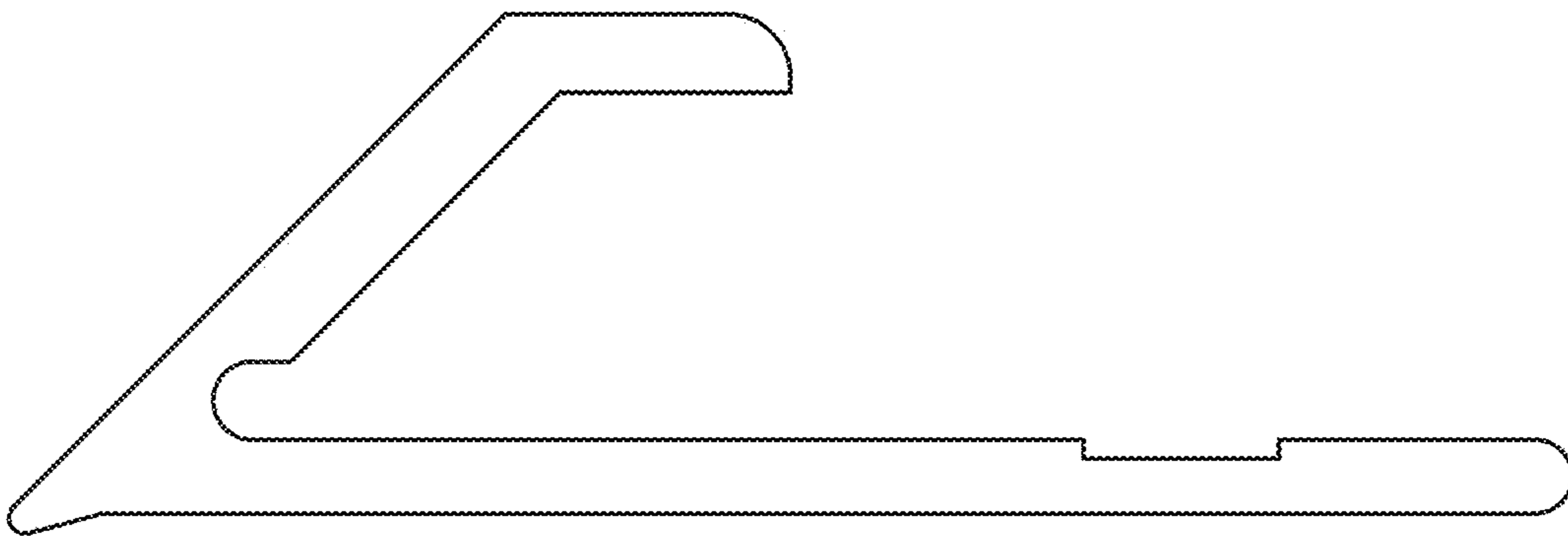


FIG. 2

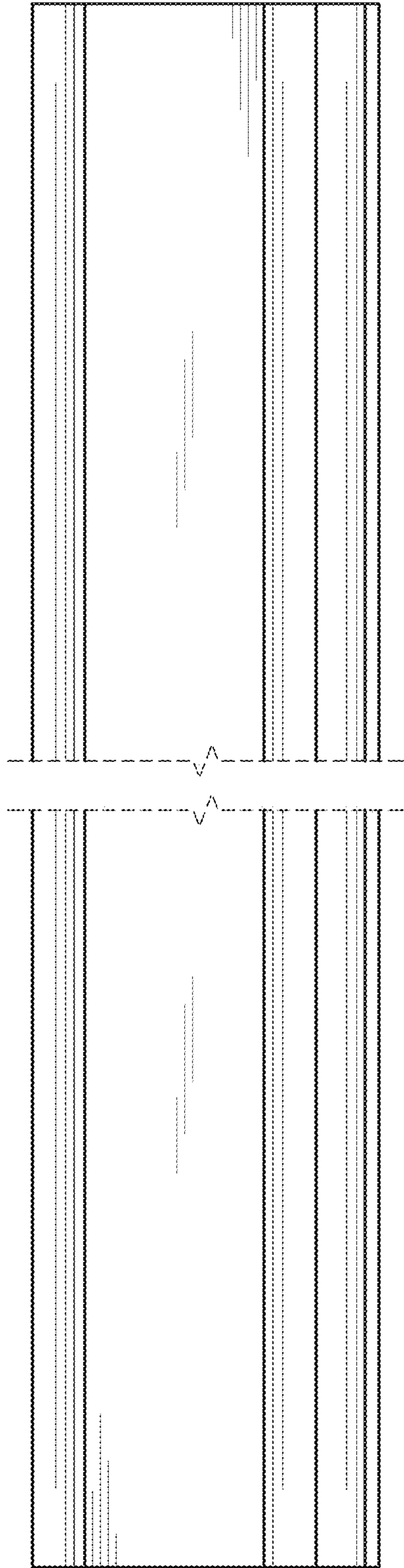


FIG. 3

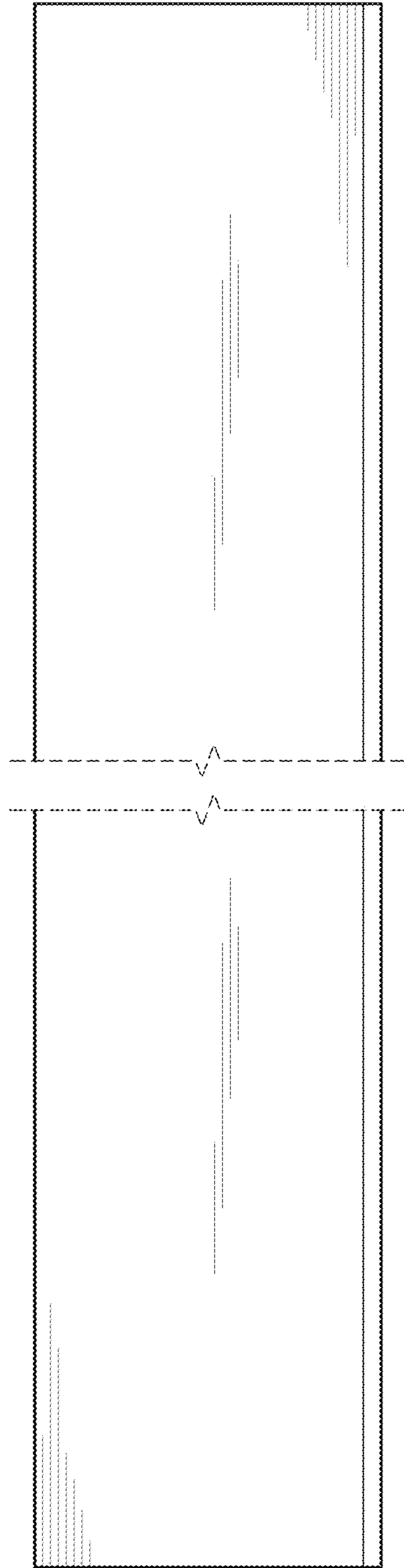


FIG. 4

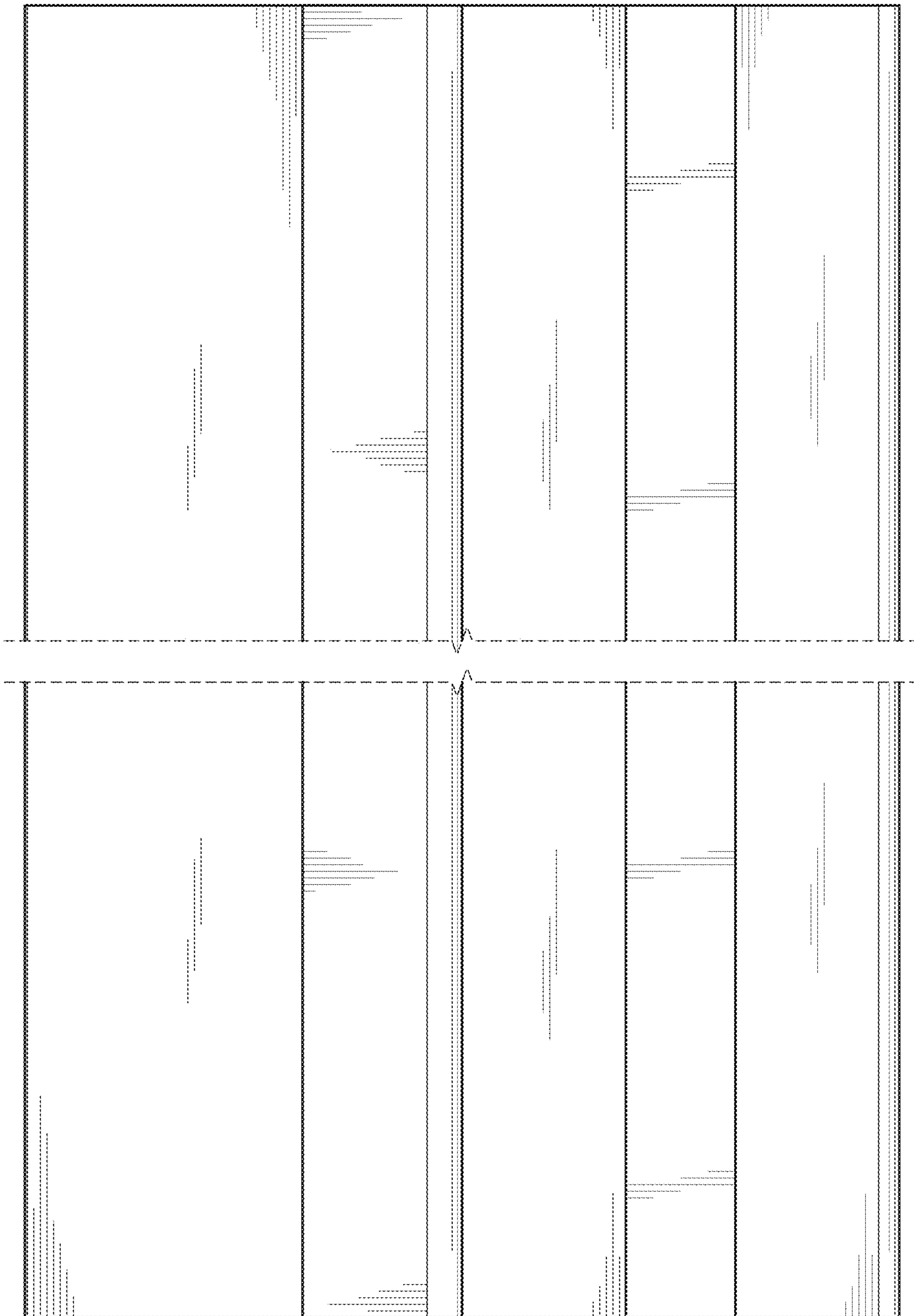


FIG. 5

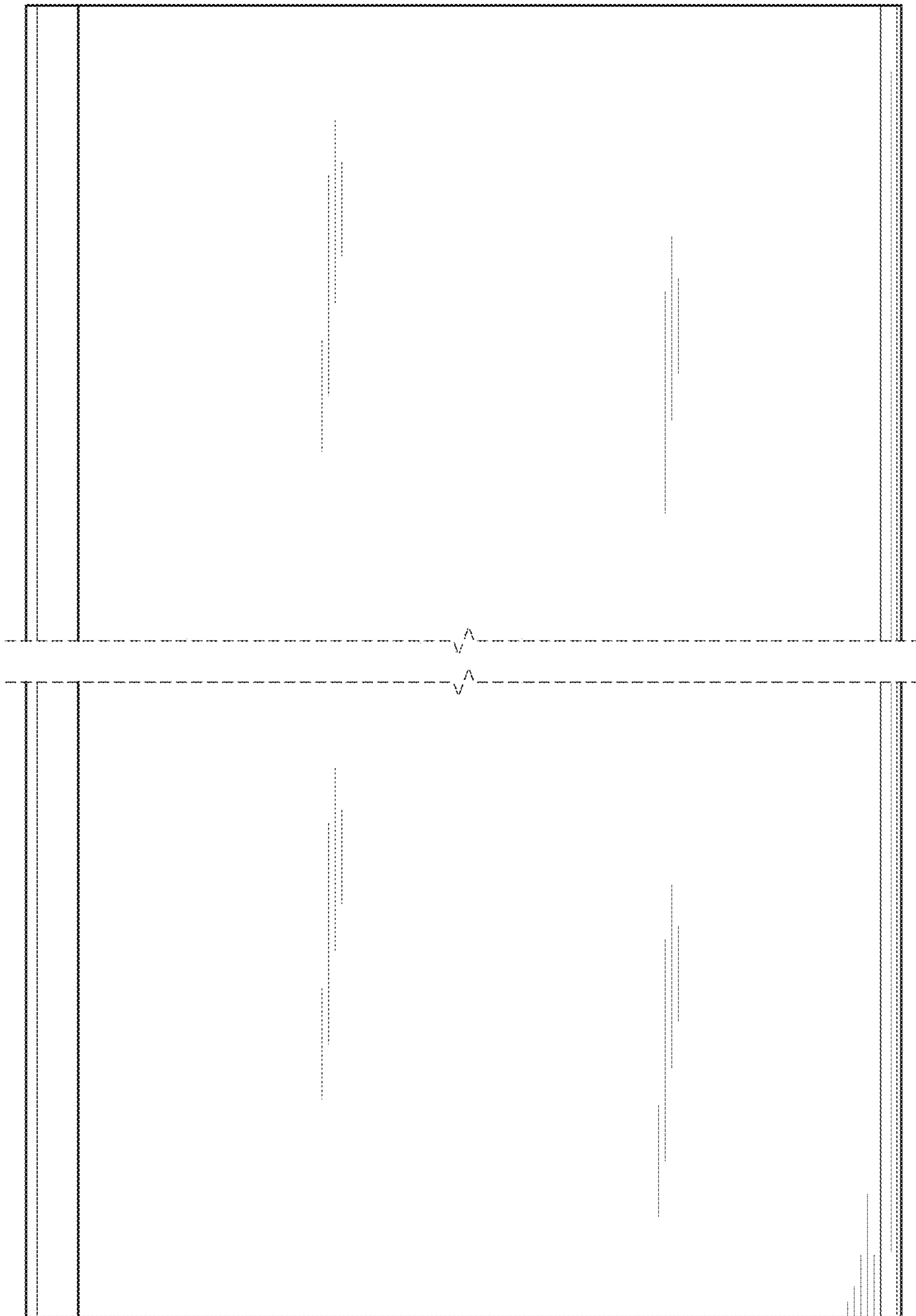


FIG. 6

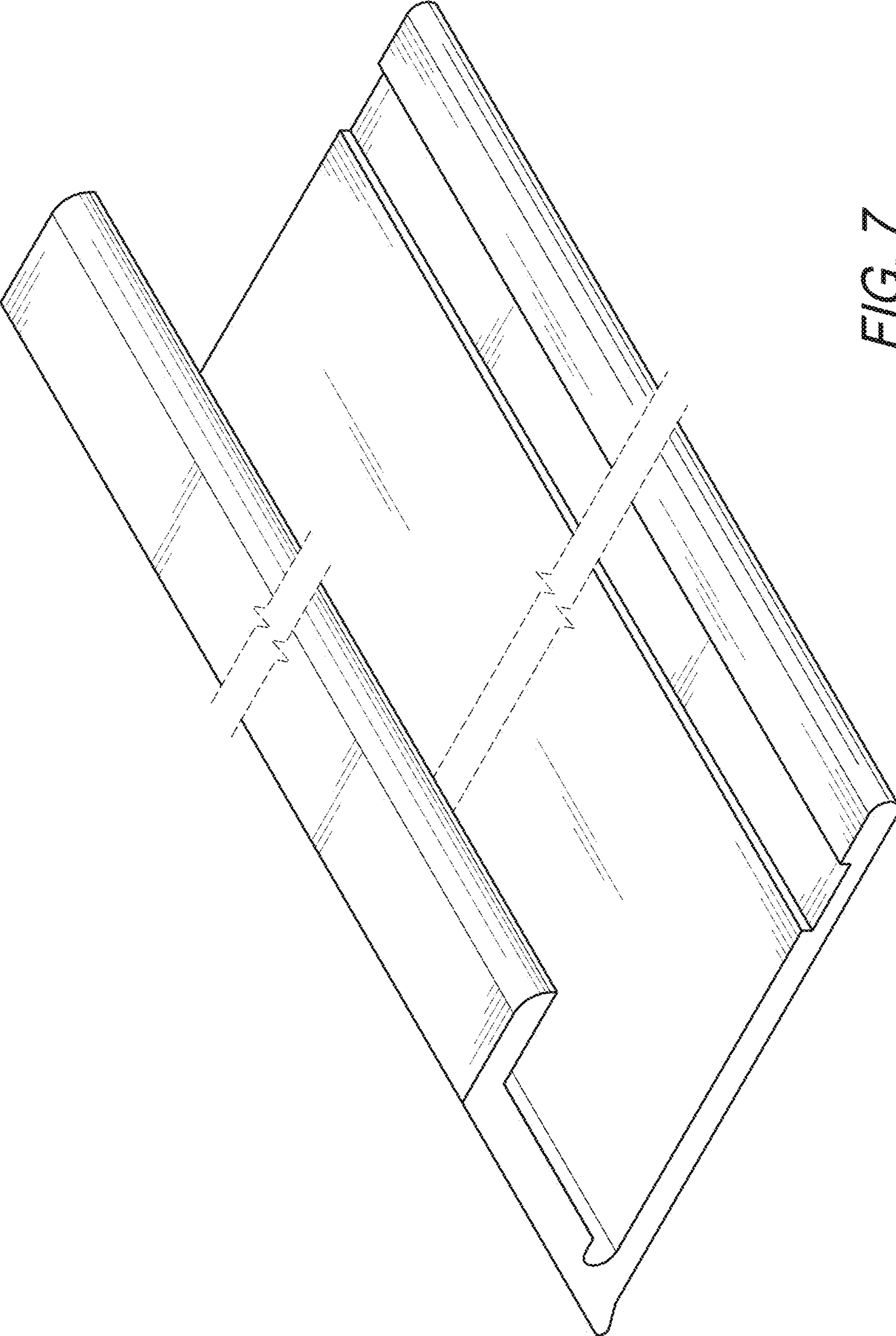


FIG. 7

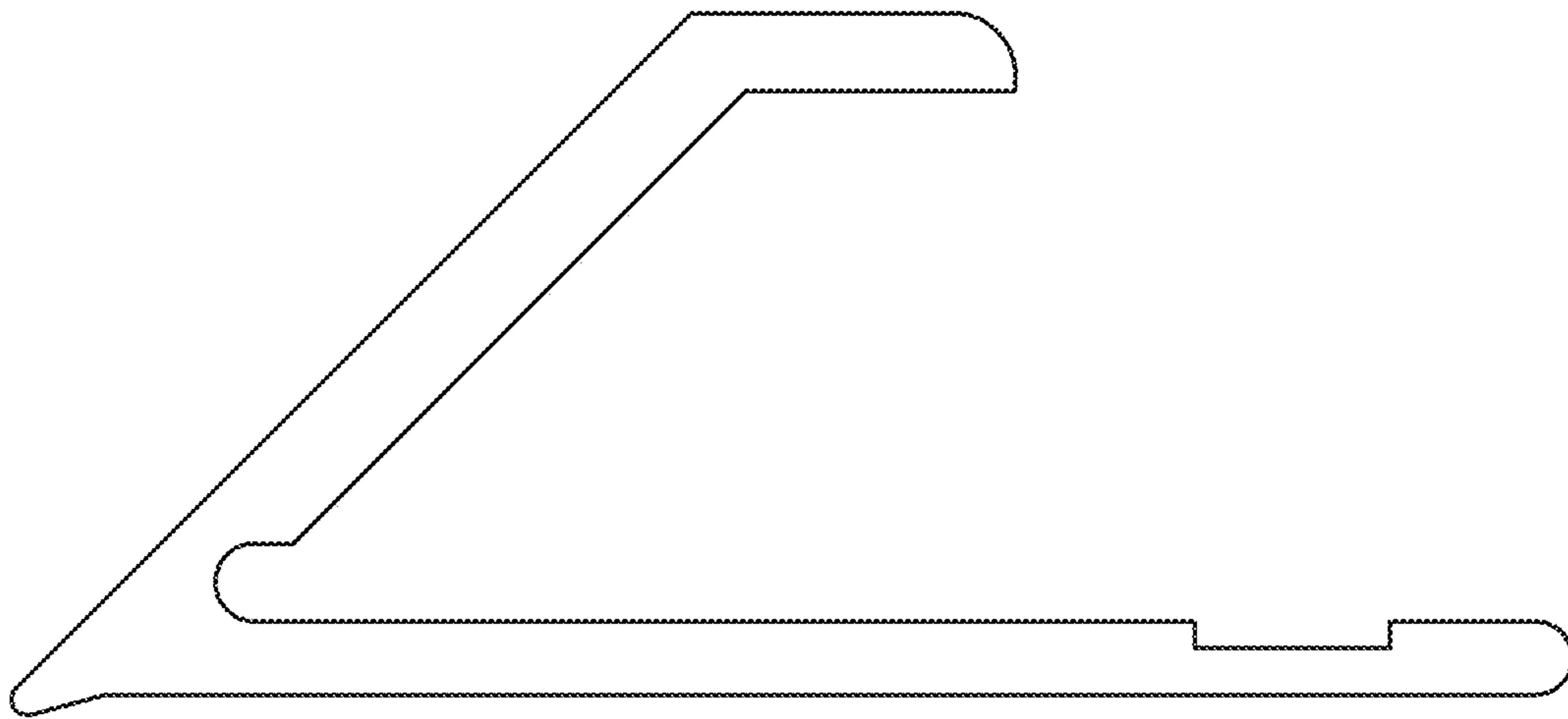


FIG. 8

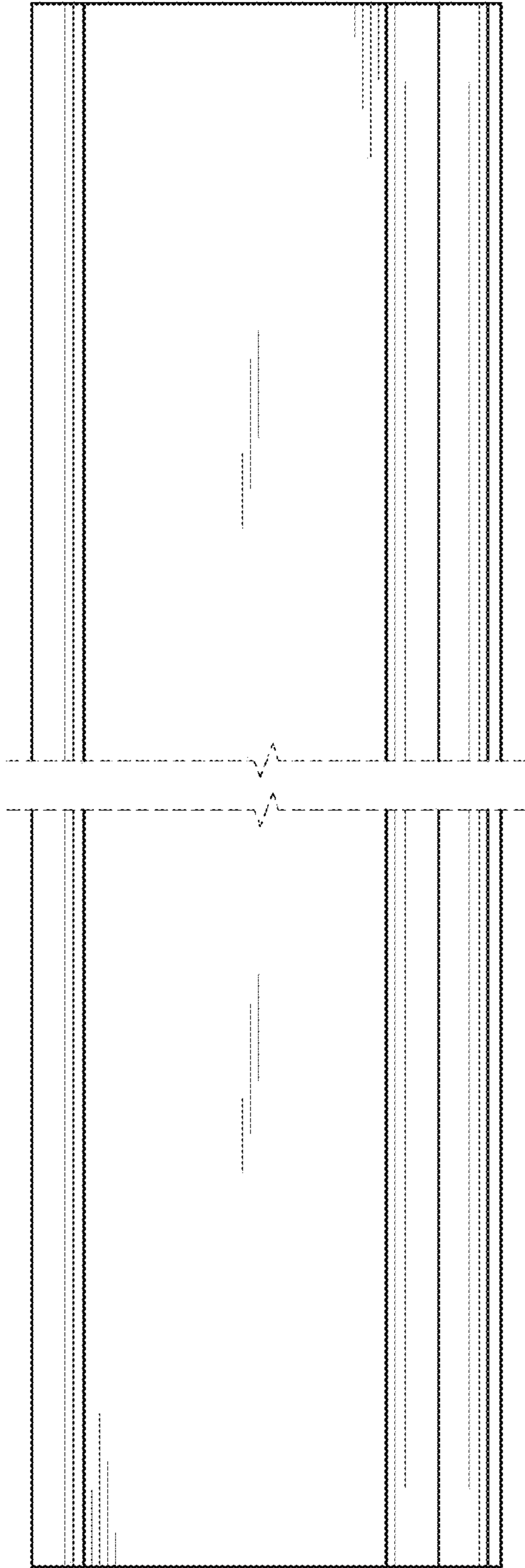


FIG. 9

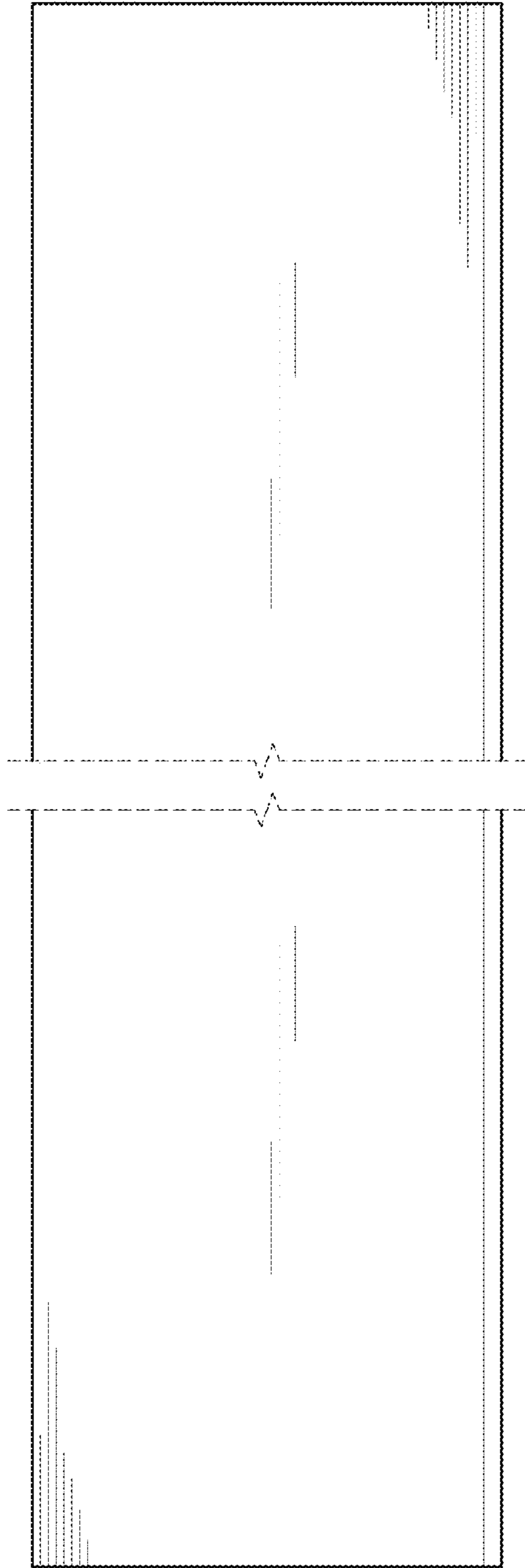


FIG. 10

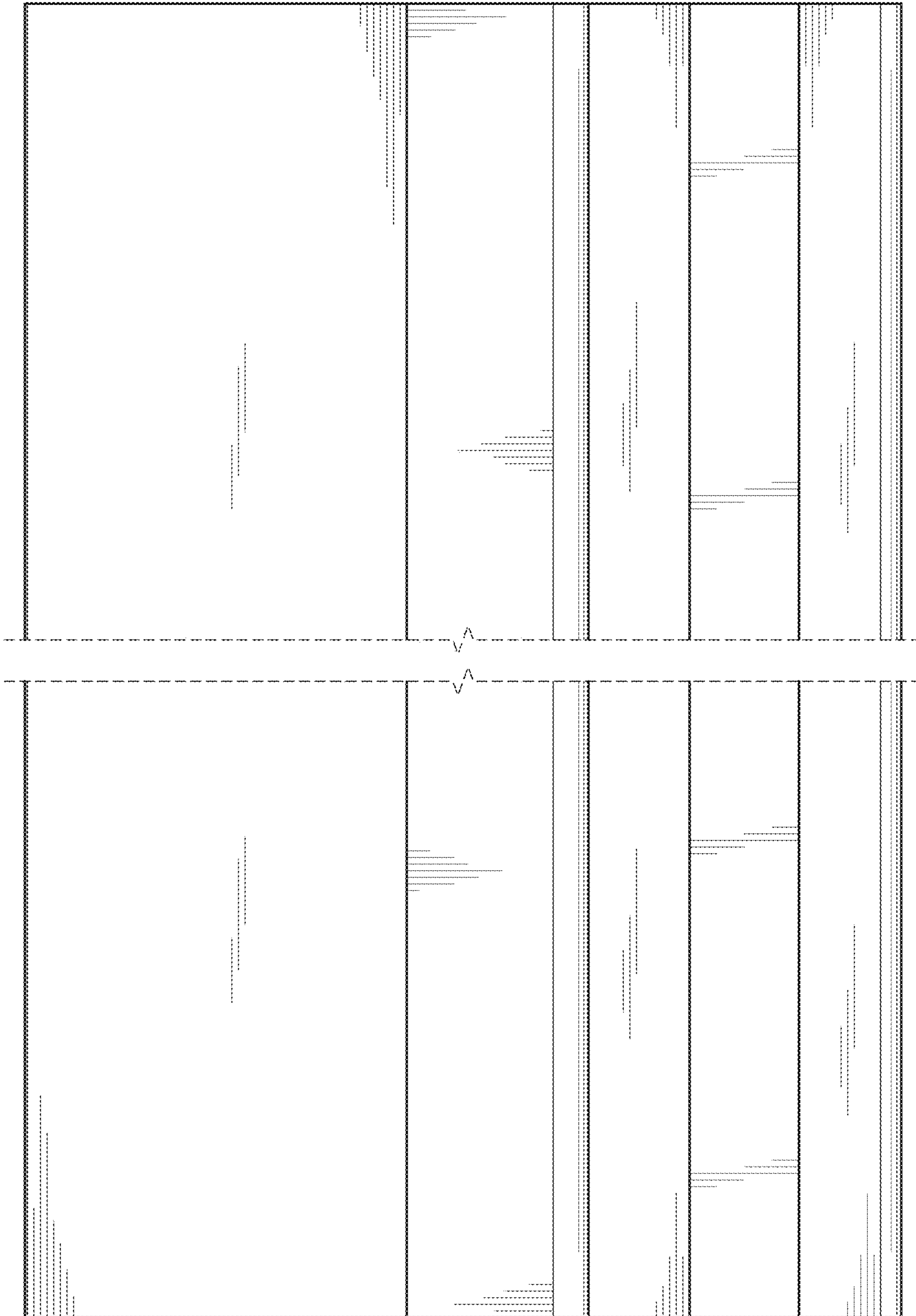


FIG. 11

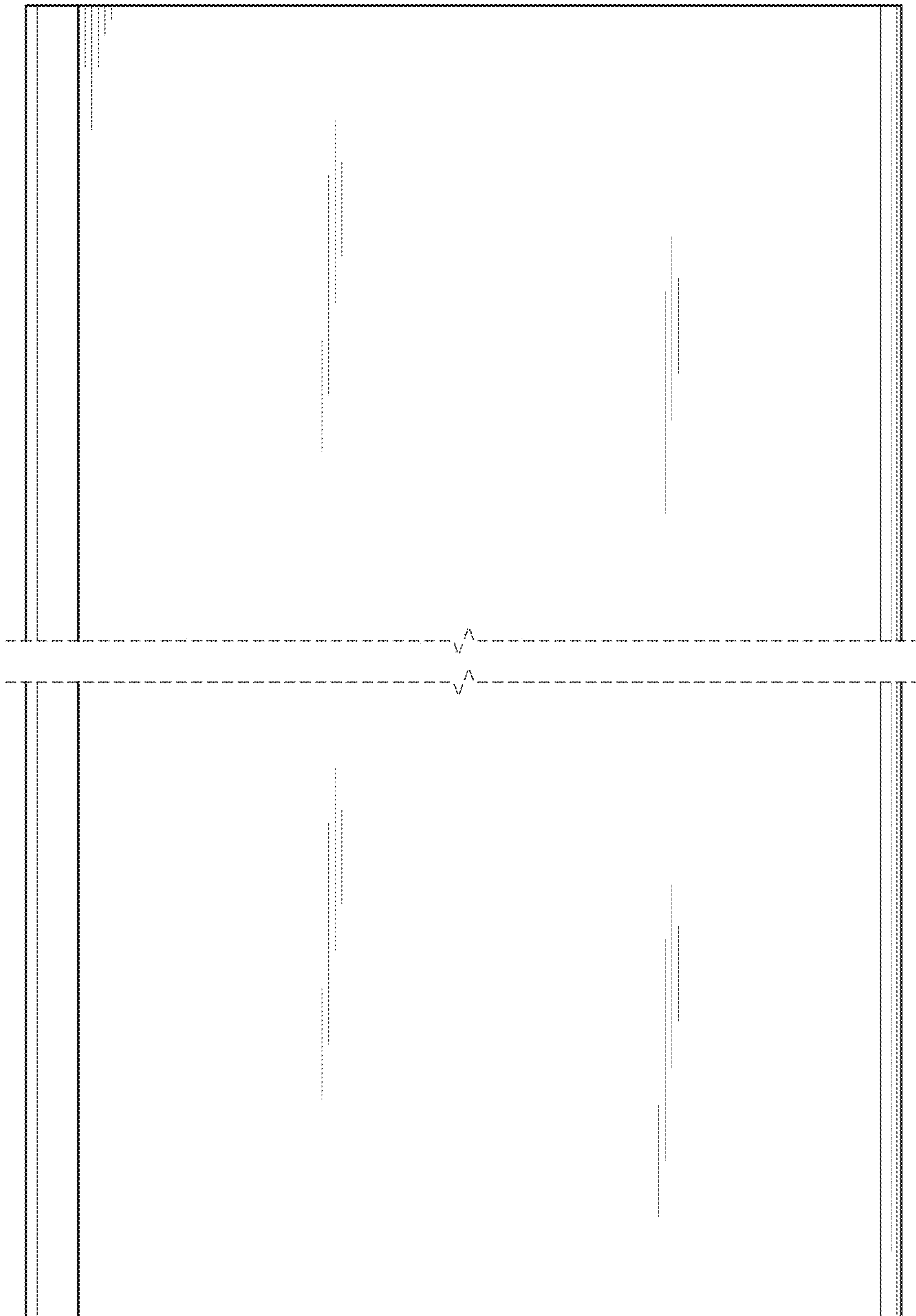


FIG. 12