



US00D975874S

(12) **United States Design Patent**  
**Painter et al.**

(10) **Patent No.:** **US D975,874 S**  
(45) **Date of Patent:** **\*\* Jan. 17, 2023**

- (54) **CONTAINER POOL SUPPORT FRAME—CRADLE AND FRAME**
- (71) Applicant: **CP-IP Limited**, Hellensville (NZ)
- (72) Inventors: **Michael Henry Painter**, Auckland (NZ); **Joel Michael Painter**, Auckland (NZ)
- (73) Assignee: **CP-IP LIMITED**
- (\*\*) Term: **15 Years**

3,555,575	A *	1/1971	Schwarz	.....	E04H 4/0043
					D25/41.1
3,616,649	A *	11/1971	Laing	.....	E04H 4/0081
					405/268
3,638,245	A *	2/1972	Birkemeier	.....	E04H 4/00
					D25/2
3,675,253	A *	7/1972	Danzker	.....	E04H 4/0043
					52/284
3,739,539	A *	6/1973	Posnick	.....	E04H 4/0043
					52/169.8
3,789,435	A *	2/1974	Heisner	.....	E04H 4/0043
					52/693
4,115,977	A *	9/1978	Bertsch	.....	E04H 4/0043
					52/169.8

- (21) Appl. No.: **29/746,521**
- (22) Filed: **Aug. 14, 2020**

(Continued)

**FOREIGN PATENT DOCUMENTS**

- (30) **Foreign Application Priority Data**
- Feb. 14, 2020 (NZ) ..... 427133
- (51) **LOC (14) Cl.** ..... **25-03**
- (52) **U.S. Cl.**
- USPC ..... **D25/2**
- (58) **Field of Classification Search**
- USPC ..... D25/2; 4/506; 405/302; 52/149, 155, 52/300, 169.8, 265
- CPC ..... E04H 4/14; E04H 4/00; E04H 4/0018; E04H 4/144; A61H 33/00
- See application file for complete search history.

CA	30075	*	12/1967
CN	305126139	*	4/2019
KR	3020190046284	*	3/2020

*Primary Examiner* — Brett Miller  
*Assistant Examiner* — Jasmine L. Comedy  
 (74) *Attorney, Agent, or Firm* — Young Basile Hanlon & MacFarlane, P.C.

(57) **CLAIM**

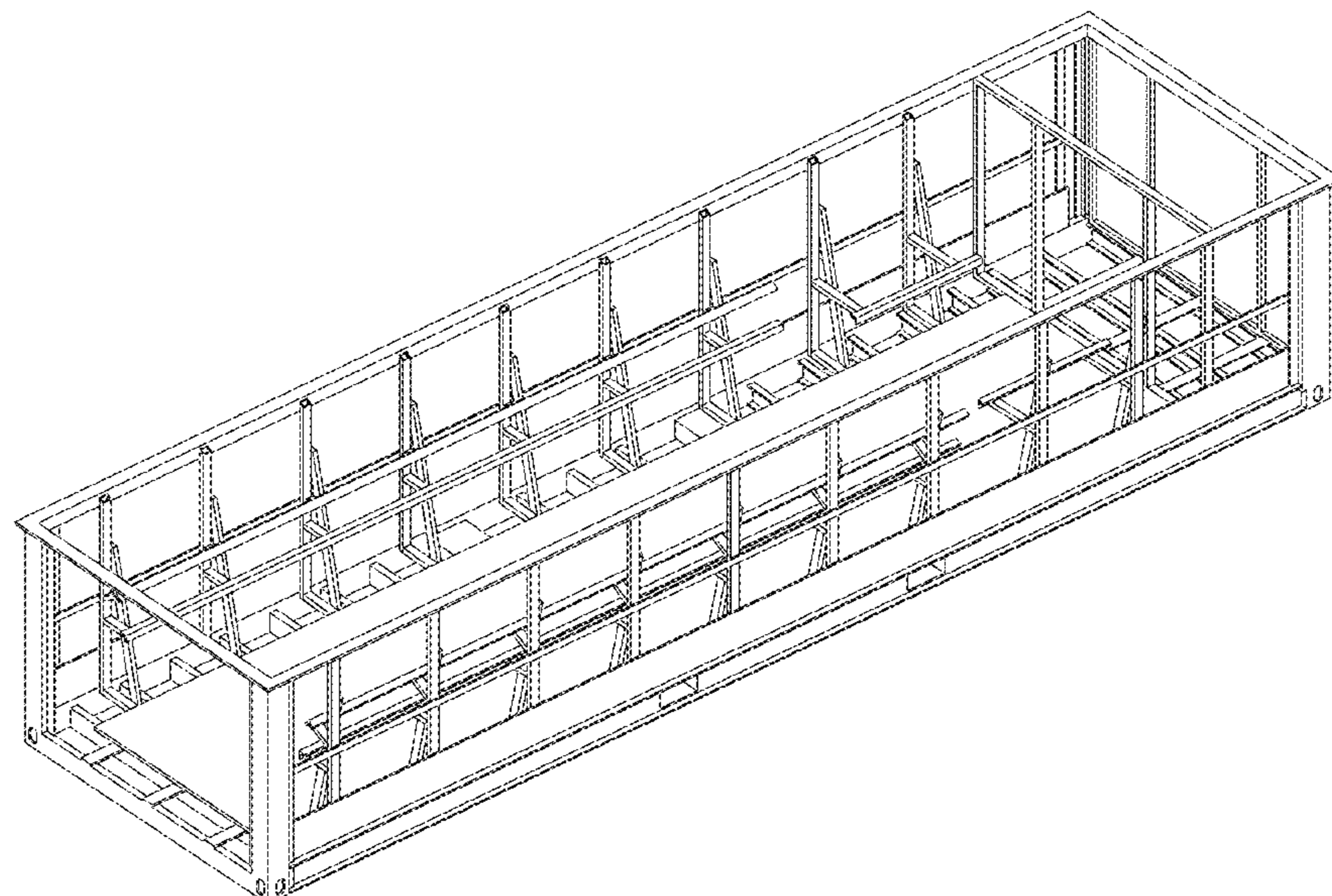
The ornamental design for a container pool support frame-cradle and frame, as shown and described.

**DESCRIPTION**

FIG. 1 is a front, upper, left perspective view of container pool support frame-cradle and frame of our new design; FIG. 2 is a front view thereof; FIG. 3 is a rear view thereof; FIG. 4 is a left view thereof; FIG. 5 is a right view thereof; FIG. 6 is a top view thereof; FIG. 7 is a bottom view thereof; and, FIG. 8 is a front, upper, right perspective view thereof.

- (56) **References Cited**
- U.S. PATENT DOCUMENTS**
- 3,016,546 A \* 1/1962 Lerner ..... E04H 4/0043 52/169.7
- 3,335,430 A \* 8/1967 Schwarz ..... E04H 4/0018 52/249
- 3,444,659 A \* 5/1969 Shanni ..... E04H 4/142 52/169.8
- 3,551,920 A \* 1/1971 Greene ..... E04H 4/0062 52/169.8

**1 Claim, 5 Drawing Sheets**



(56)

**References Cited**

U.S. PATENT DOCUMENTS

5,488,745 A \* 2/1996 Barrera ..... E04H 4/0056  
4/506  
5,555,574 A \* 9/1996 Wason ..... E04H 4/101  
4/502  
D851,781 S \* 6/2019 Khamis ..... D25/2  
D882,822 S \* 4/2020 Painter ..... D25/2  
D918,420 S \* 5/2021 Pain ..... D24/201  
2009/0188034 A1 \* 7/2009 Gardenier ..... E04H 4/0018  
29/428  
2015/0089732 A1 \* 4/2015 Khamis ..... H04L 45/14  
405/302.7  
2022/0136267 A1 \* 5/2022 Cross ..... E04H 4/0037  
4/488

\* cited by examiner

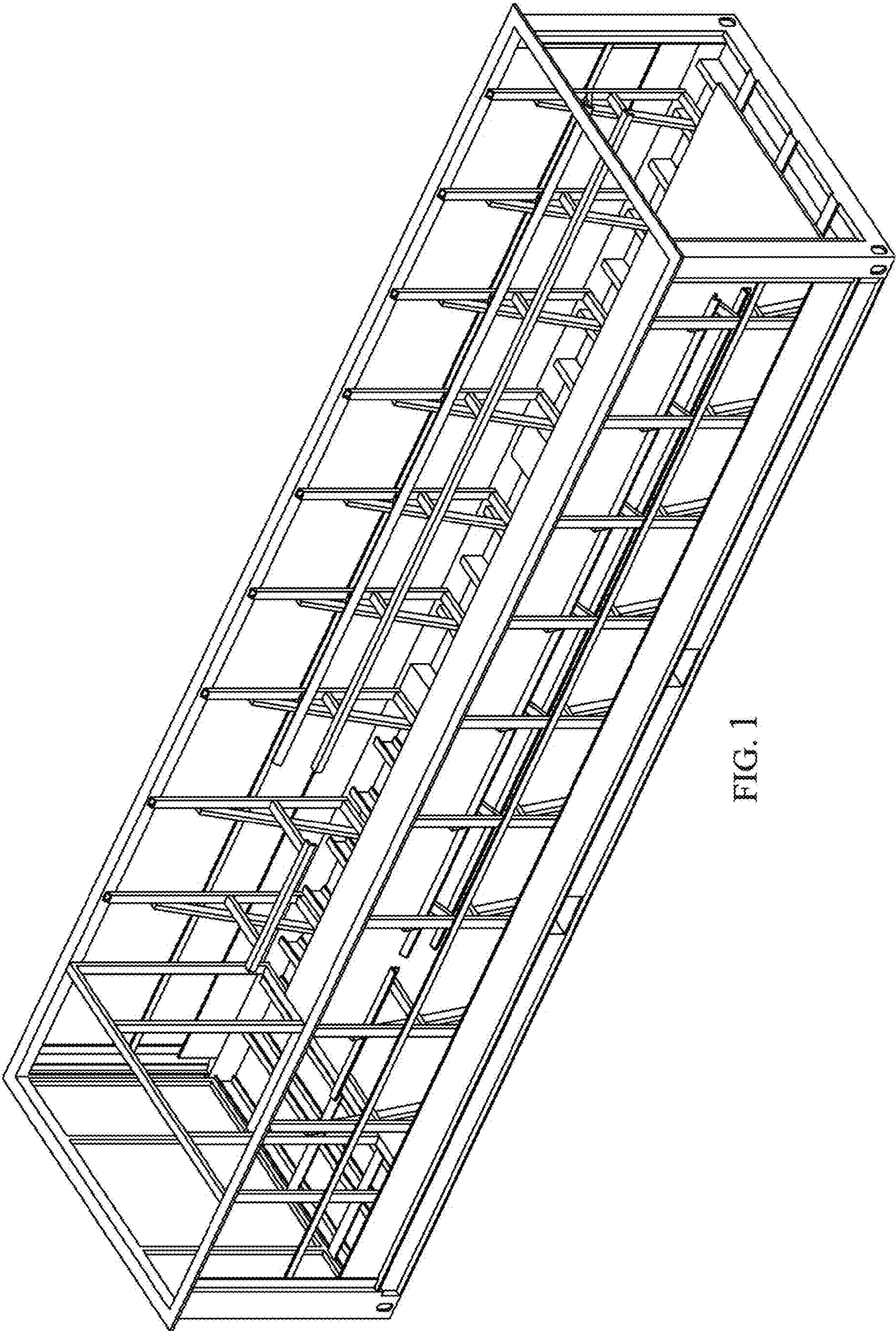


FIG. 1

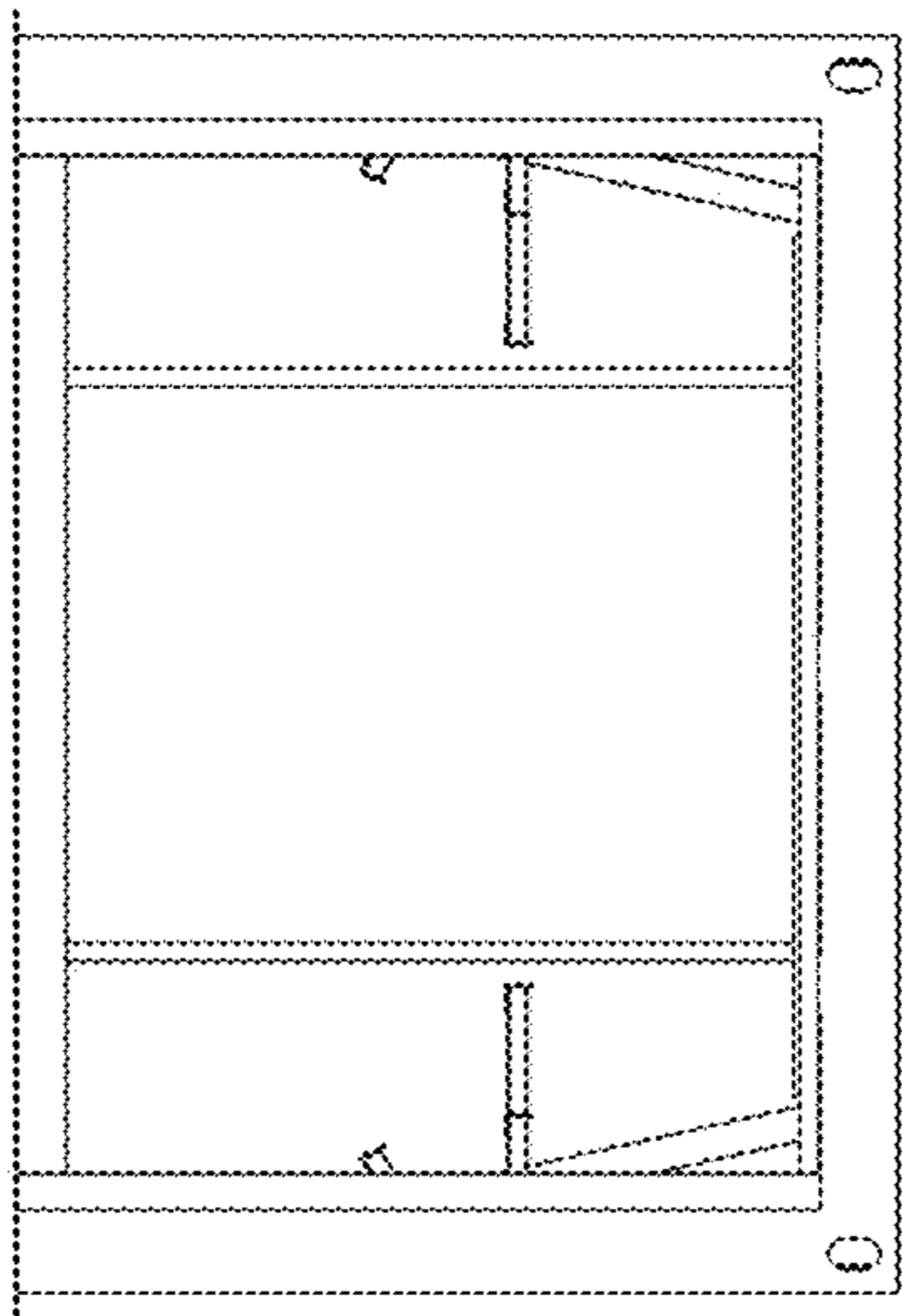


FIG. 2

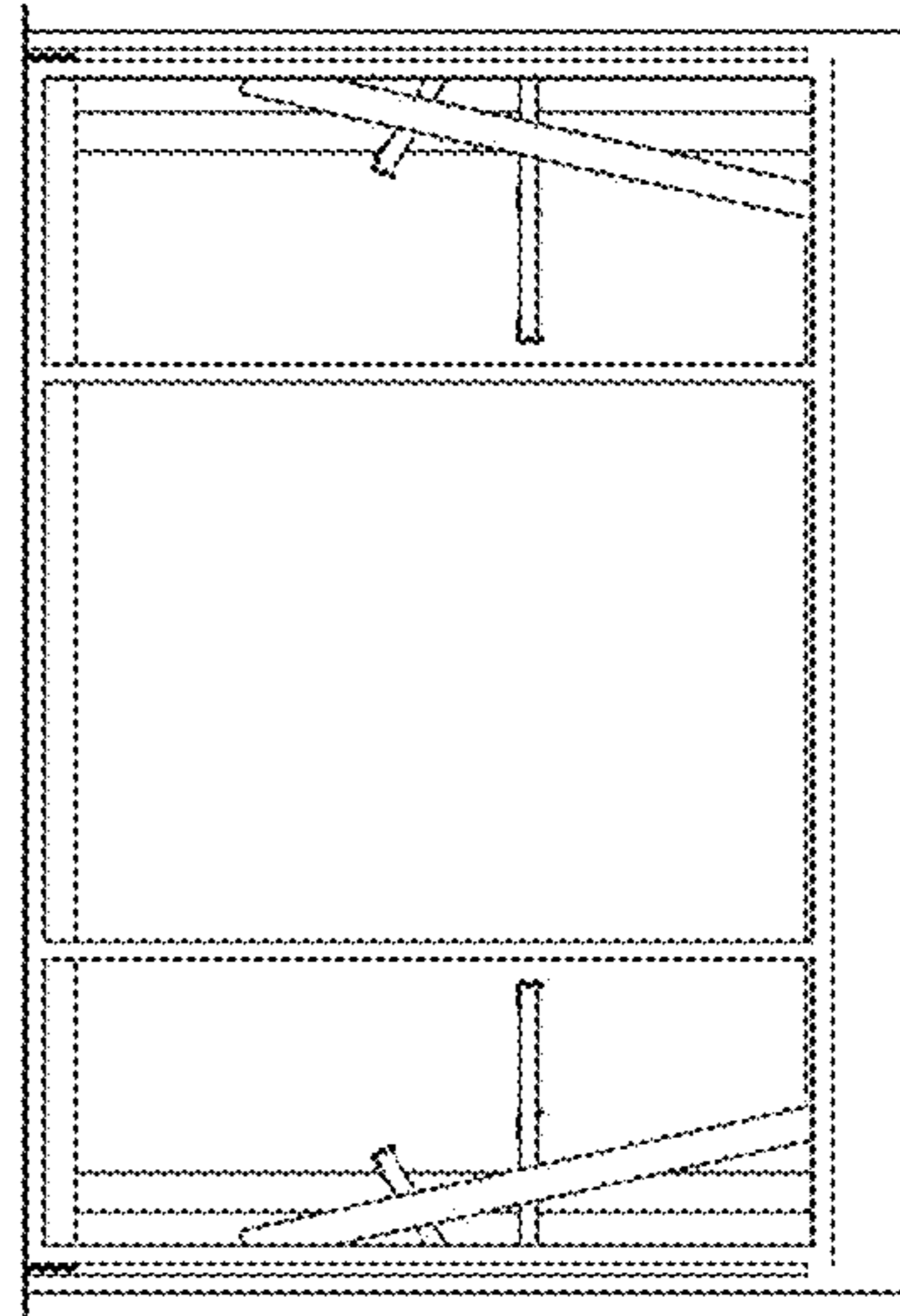


FIG. 3

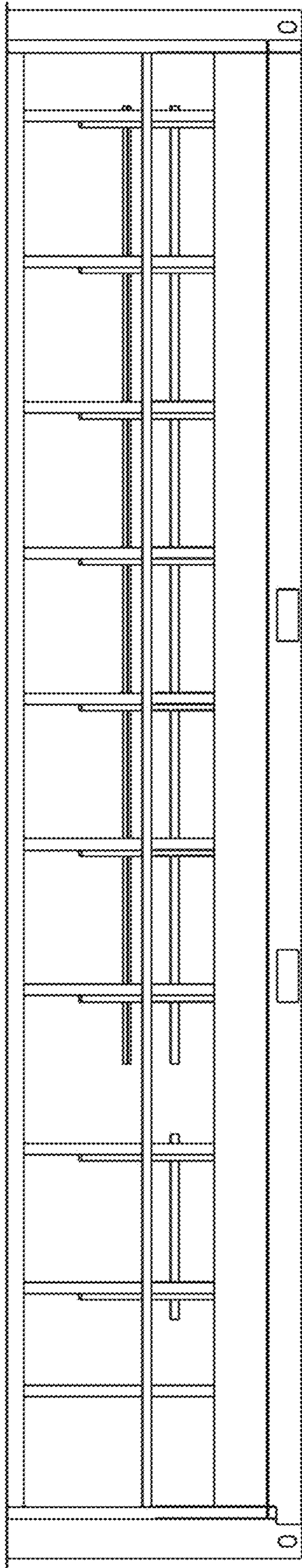


FIG. 4

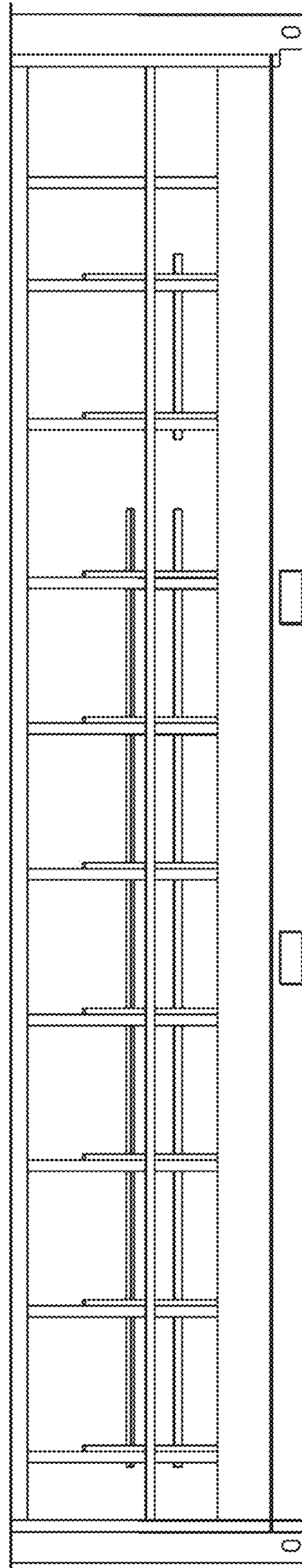


FIG. 5

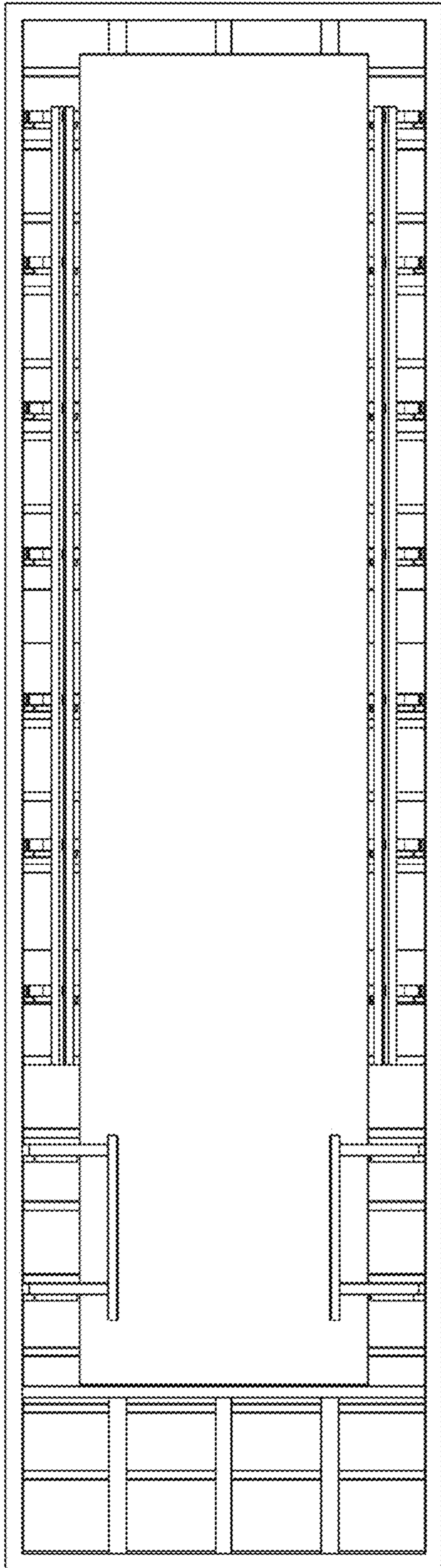


FIG. 6

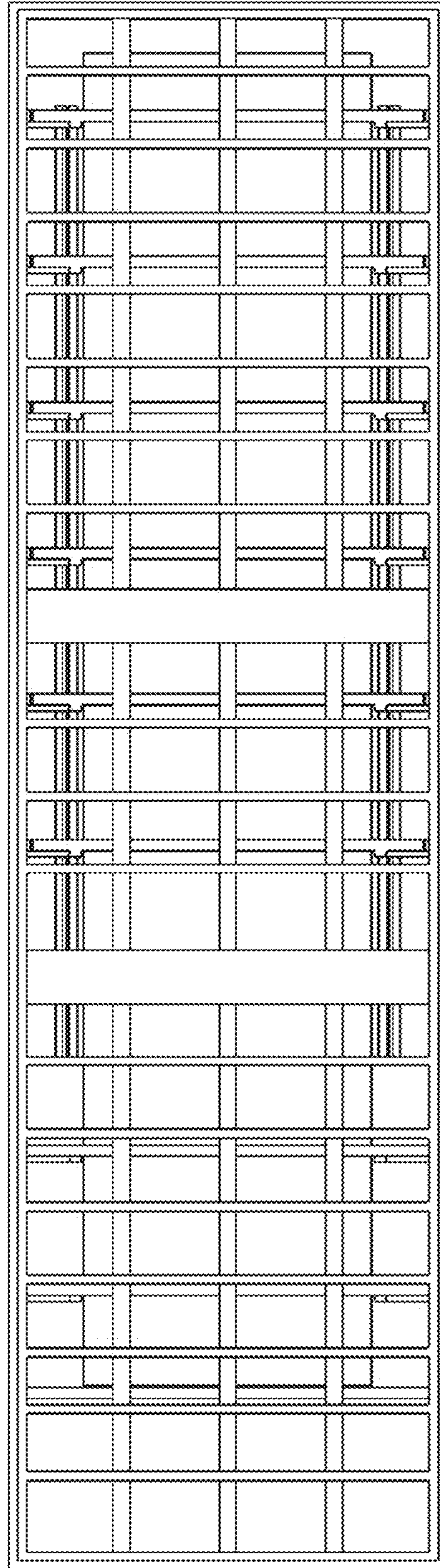


FIG. 7

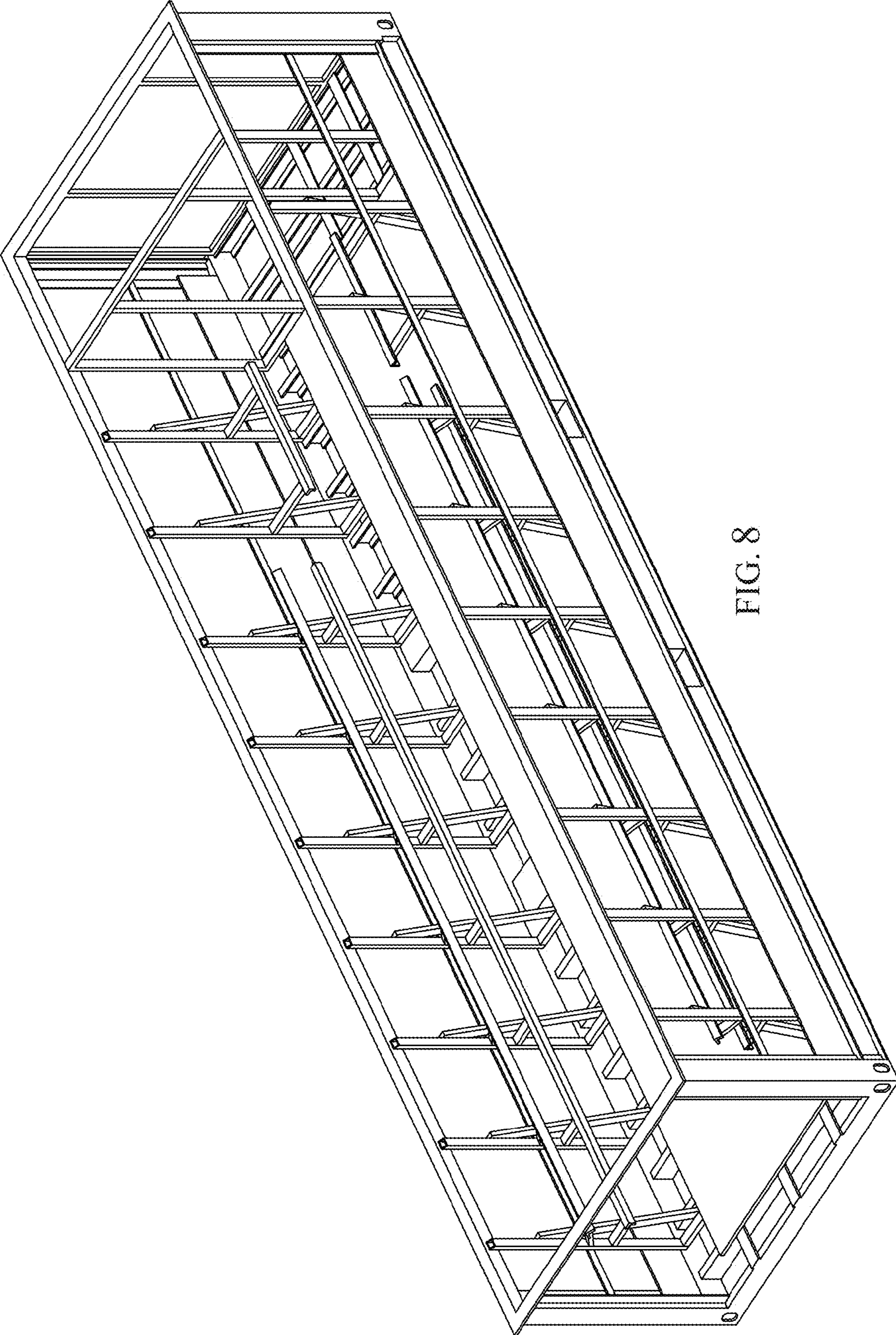


FIG. 8