



US00D975873S

(12) **United States Design Patent** (10) **Patent No.:** **US D975,873 S**
Murakami et al. (45) **Date of Patent:** **** Jan. 17, 2023**

(54) **ELECTROPHORESIS AND ELECTROTRANSFER DEVICE**

5,433,837 A 7/1995 Brunk et al.
6,001,233 A 12/1999 Levy
6,110,340 A 8/2000 Lau et al.
6,193,868 B1 2/2001 Hsu

(71) Applicants: **LIFE TECHNOLOGIES CORPORATION**, Carlsbad, CA (US); **LIFE TECHNOLOGIES HOLDINGS PTE LIMITED**, Singapore (SG)

(Continued)

FOREIGN PATENT DOCUMENTS

(72) Inventors: **Marie Murakami**, Carlsbad, CA (US); **Kyle Bulloch**, Rancho Santa Fe, CA (US); **Neil Olson**, San Diego, CA (US); **Joshua Mead**, San Diego, CA (US); **Ross Winnick**, Carlsbad, CA (US); **Wei Fuh Teo**, Johor (MY); **Michael Thacker**, San Diego, CA (US)

CN 102711904 A 10/2012
CN 209513819 U 10/2019

(Continued)

OTHER PUBLICATIONS

ThermoFisher: "Mini Blot Module: For transfer of proteins using the Mini Gel Tank", Catalog No. B1000, Online manual, Sep. 15, 2014, 30 pages.

(Continued)

(**) Term: **15 Years**

Primary Examiner — Anhdao Doan
(74) *Attorney, Agent, or Firm* — Workman Nydegger; Logan Christenson; John Guynn

(21) Appl. No.: **29/741,481**

(22) Filed: **Jul. 13, 2020**

(51) **LOC (14) Cl.** **24-01**

(52) **U.S. Cl.**
USPC **D24/233**

(58) **Field of Classification Search**
USPC D24/216, 219, 223–227, 231, 232, 233, D24/234, 121; D10/81
CPC B01D 57/02; G01N 27/44704; G01N 27/447369; G01N 27/44756; G01N 27/44782; G01N 27/44786
See application file for complete search history.

(57) **CLAIM**

The ornamental design for an electrophoresis & electrotransfer device, as shown and described.

DESCRIPTION

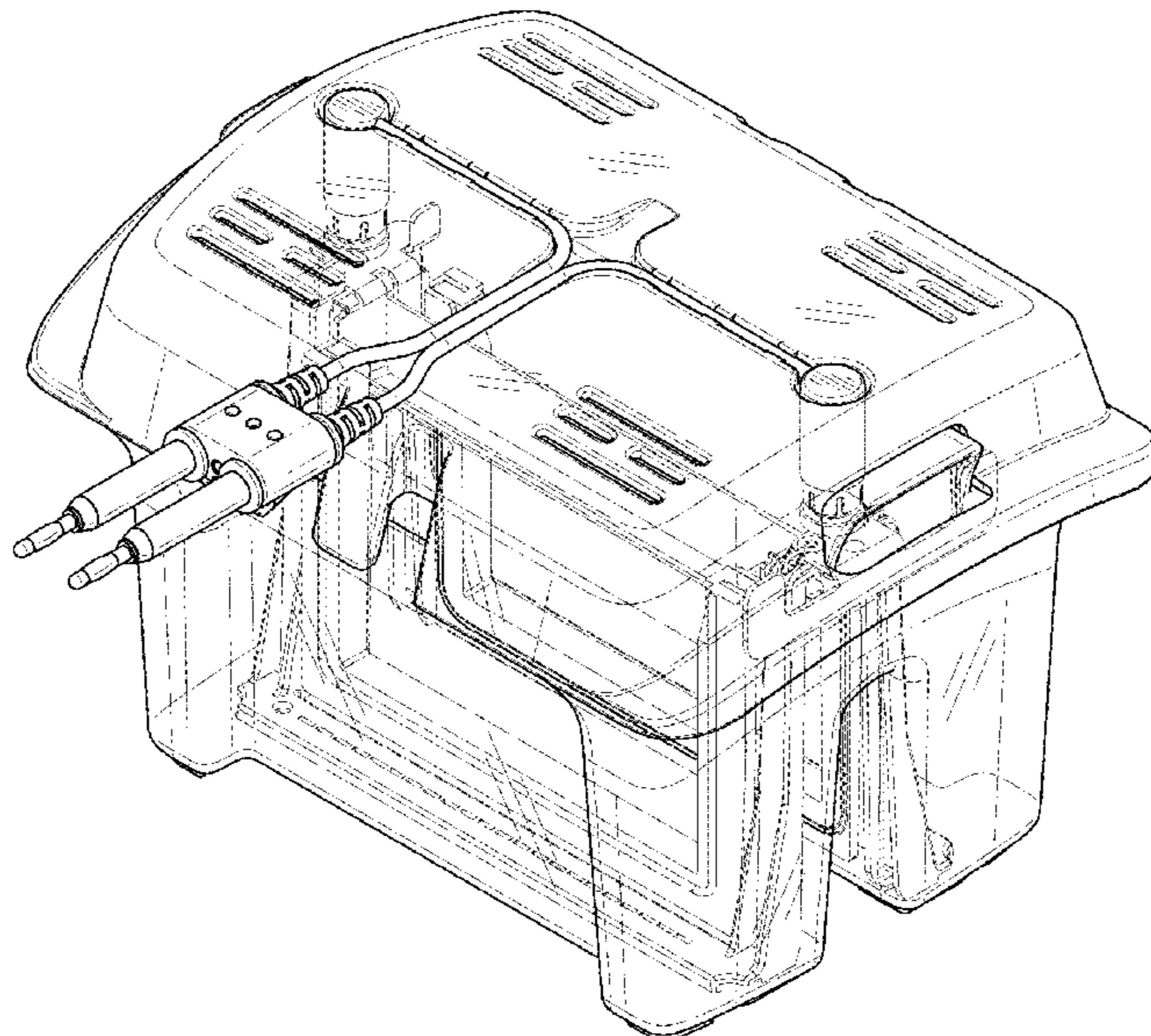
FIG. 1 is a front perspective view of an electrophoresis & electrotransfer device, according to an embodiment; FIG. 2 is a front perspective view of FIG. 1 WITH LID ON; FIG. 3 is a front view of FIG. 1; FIG. 4 is a back view of FIG. 1; FIG. 5 is a right side view of FIG. 1; FIG. 6 is a left side view of FIG. 1; FIG. 7 is a top view of FIG. 1; and, FIG. 8 is a bottom view of FIG. 1. The broken lines in FIG. 8 depict portions of the electrophoresis and electrotransfer device that form no part of the claimed design.

(56) **References Cited**

U.S. PATENT DOCUMENTS

D269,123 S * 5/1983 Hoefler D24/233
4,574,040 A * 3/1986 Delony G01N 27/44756
204/606
4,773,984 A * 9/1988 Flesher G01N 27/44704
204/618
D303,007 S * 8/1989 Flesher D24/233

1 Claim, 8 Drawing Sheets



(56)

References Cited

U.S. PATENT DOCUMENTS

D443,068 S * 5/2001 Manusu D24/233
 6,436,262 B1 8/2002 Perez
 6,451,193 B1 9/2002 Fernwood et al.
 6,942,775 B1 9/2005 Fox
 7,749,367 B2 7/2010 Zhou
 7,867,372 B2 1/2011 Cheung et al.
 8,192,601 B2 6/2012 Latham
 8,357,278 B2 1/2013 Latham
 D698,037 S * 1/2014 Nelson D24/233
 8,715,476 B2 5/2014 Latham et al.
 9,205,379 B2 12/2015 Latham et al.
 D748,815 S * 2/2016 Murray D24/233
 D749,235 S * 2/2016 Murray D24/233
 D757,958 S * 5/2016 Murray D24/233
 D794,823 S * 8/2017 Nelson D24/233
 9,945,808 B2 4/2018 Latham et al.
 9,945,809 B2 4/2018 Mckee et al.
 9,945,810 B2 4/2018 Jonsson et al.
 10,041,906 B2 8/2018 Ran
 D832,458 S * 10/2018 Nelson D24/233
 10,145,817 B2 12/2018 Zhou
 D851,779 S * 6/2019 Bulloch D24/233
 D890,363 S * 7/2020 Nelson D24/233
 D954,984 S * 6/2022 Bonnoitt, Jr. D24/224

2006/0254918 A1* 11/2006 Jackson G01N 27/44704
 204/606
 2016/0011147 A1 1/2016 Jackson
 2016/0299099 A1 10/2016 Uri et al.
 2017/0153204 A1 6/2017 Bulloch et al.
 2018/0348163 A1 12/2018 Wu et al.
 2022/0011264 A1* 1/2022 Murakami G01N 27/44713

FOREIGN PATENT DOCUMENTS

IN	35/2019	8/2019
IN	13/2020	3/2020
KR	101964614	4/2019
KR	101977839	5/2019
WO	2002/077630 A1	10/2002
WO	2005/098408 A1	10/2005
WO	2006/047885 A2	5/2006
WO	2015/079048 A1	6/2015
WO	WO-2018228447	12/2018

OTHER PUBLICATIONS

Thermofisher: "Mini Gel Tank", Invitrogen, Catalog No. A25977, Online manual, Dec. 12, 2015, 2 pages.
 PCT/US2021/041312, International Search Report and Written Opinion, dated Mar. 2, 2022, 24 pages.

* cited by examiner

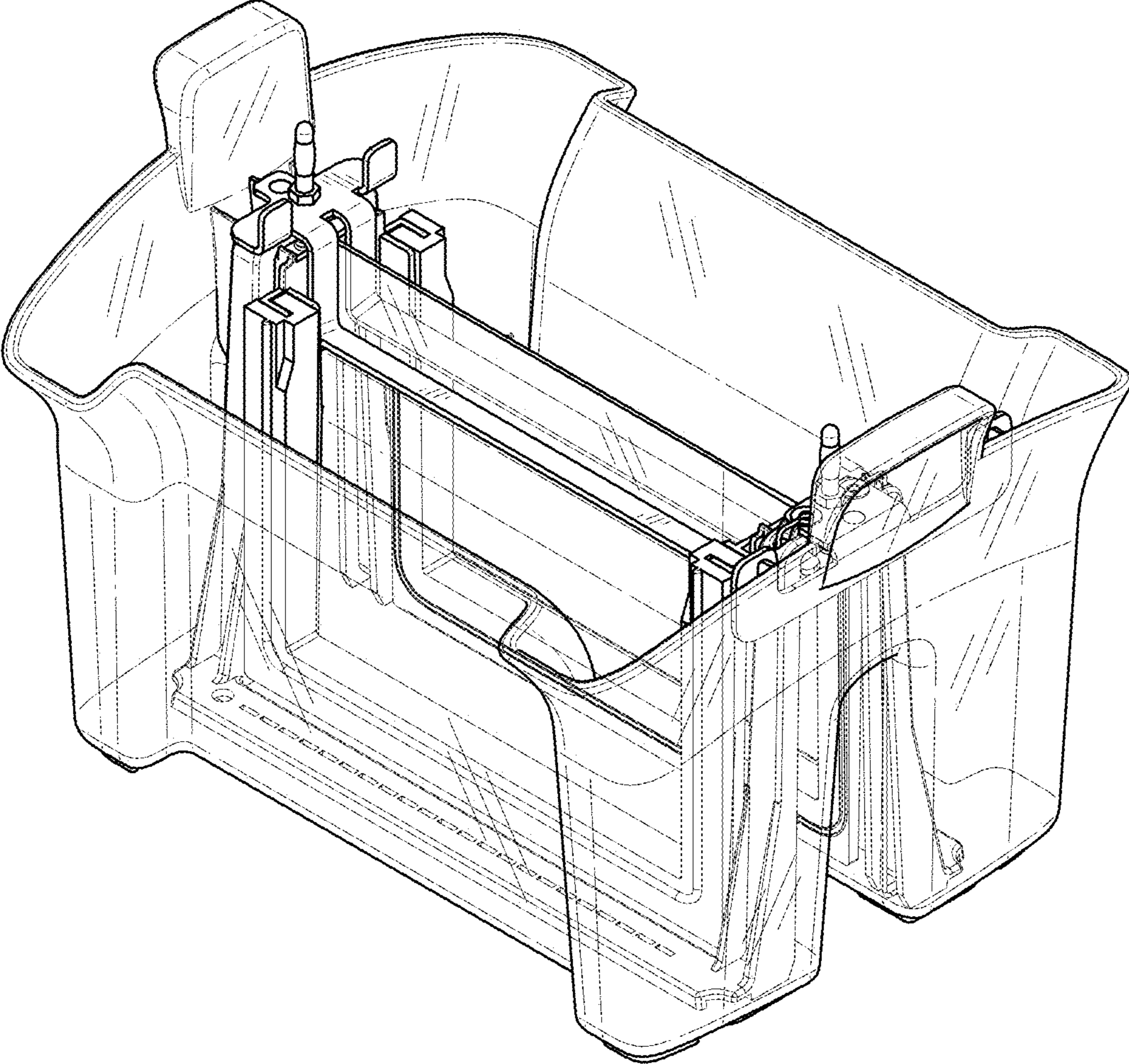


FIG. 1

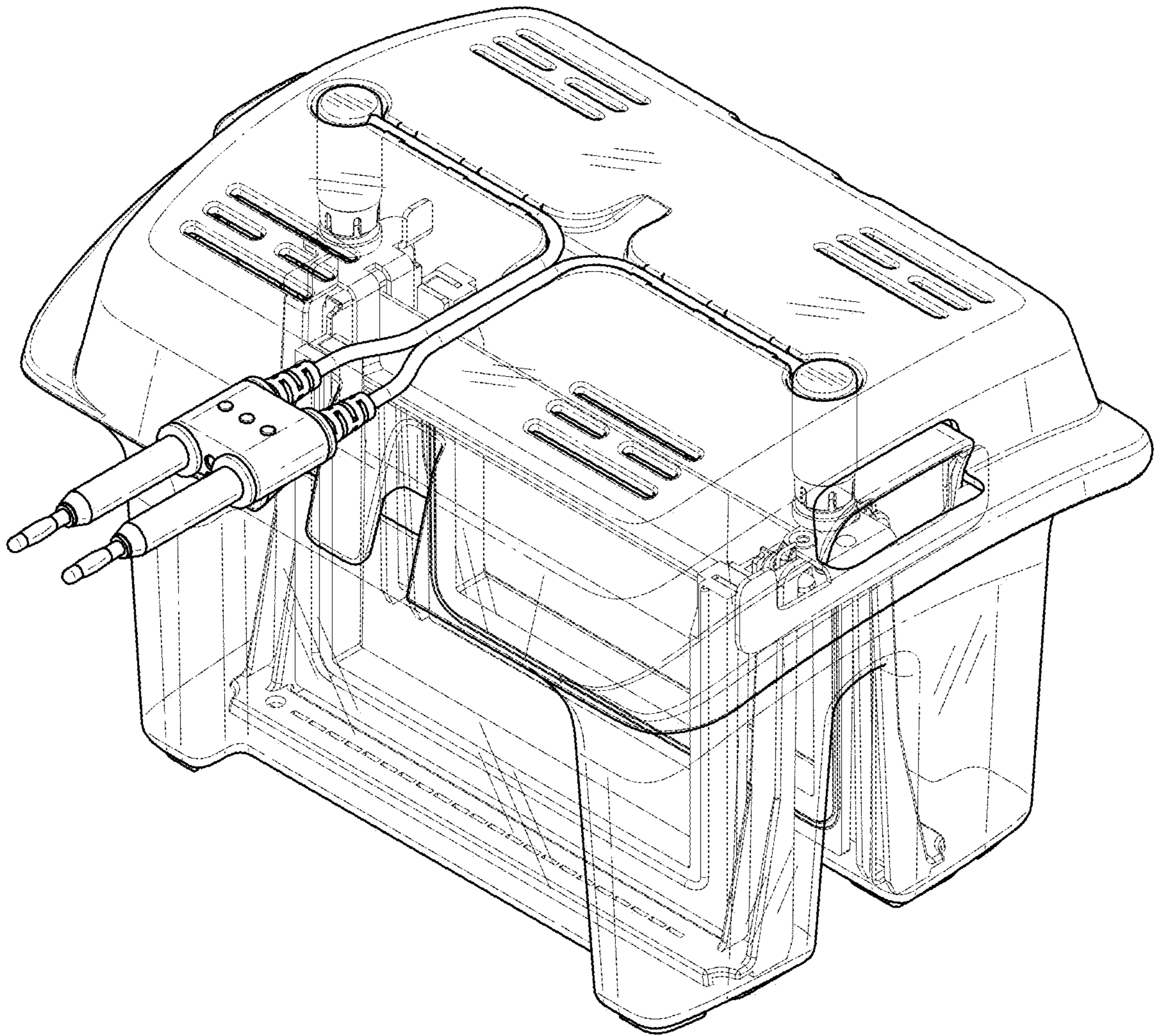


FIG. 2

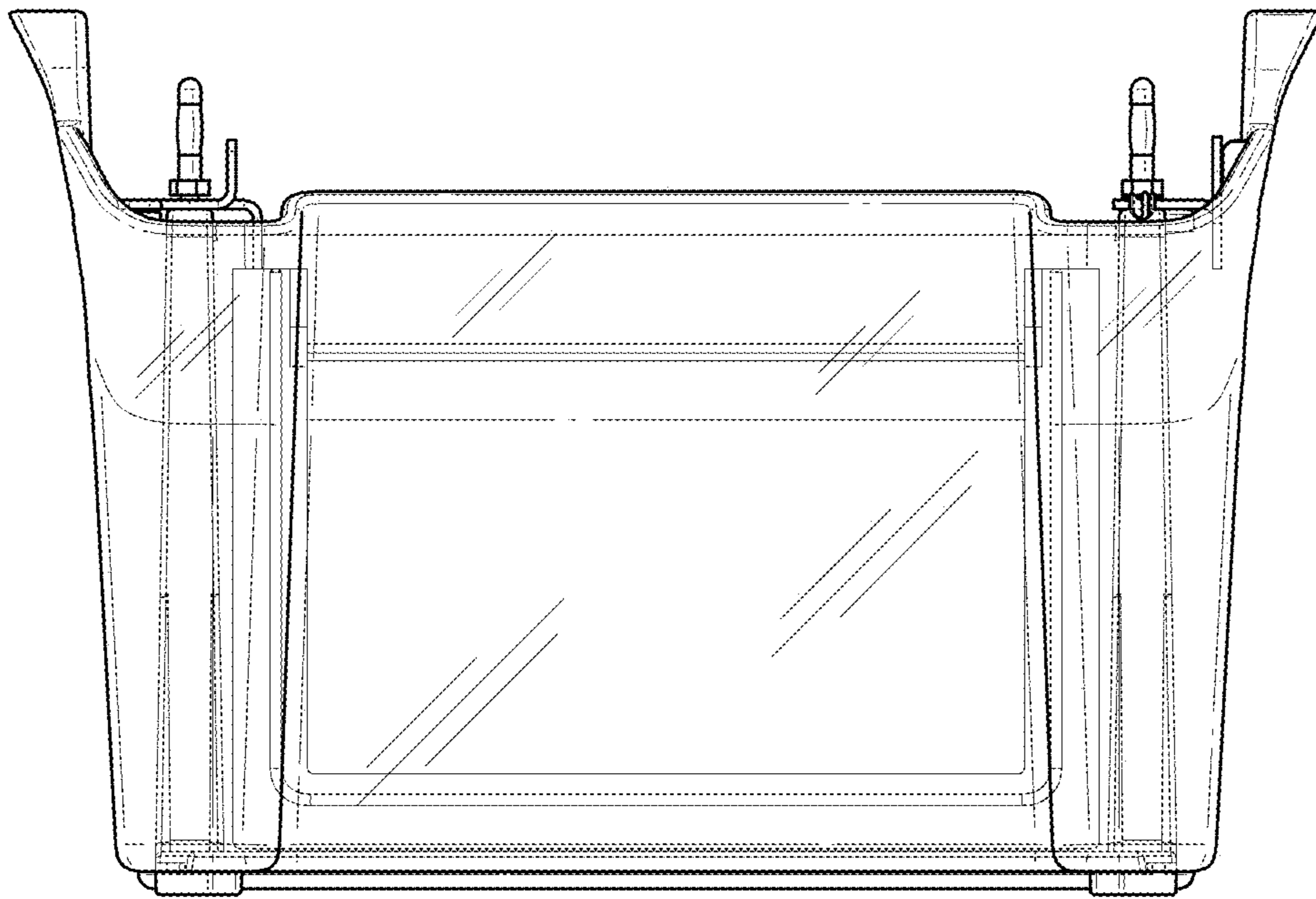


FIG. 3

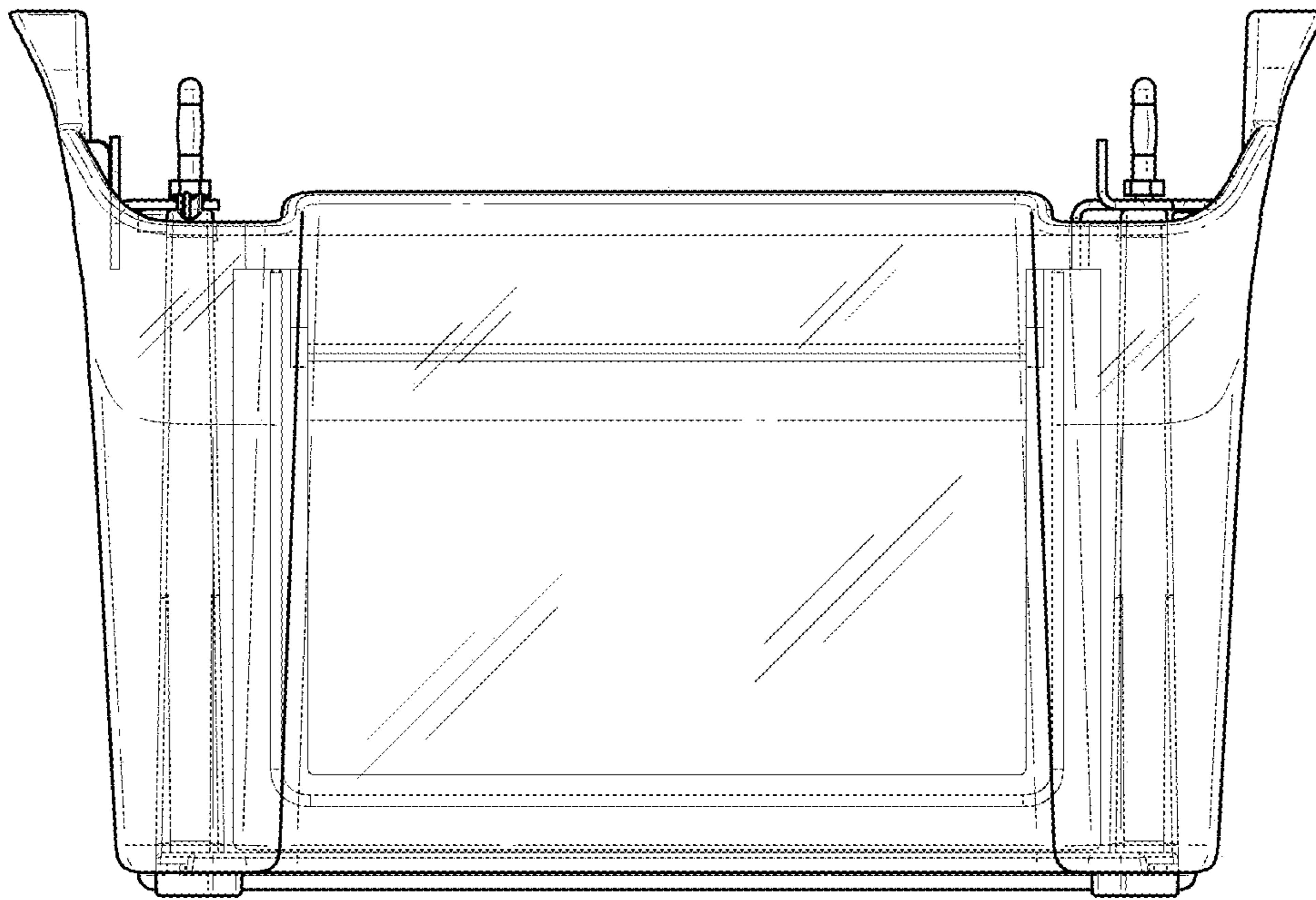


FIG. 4

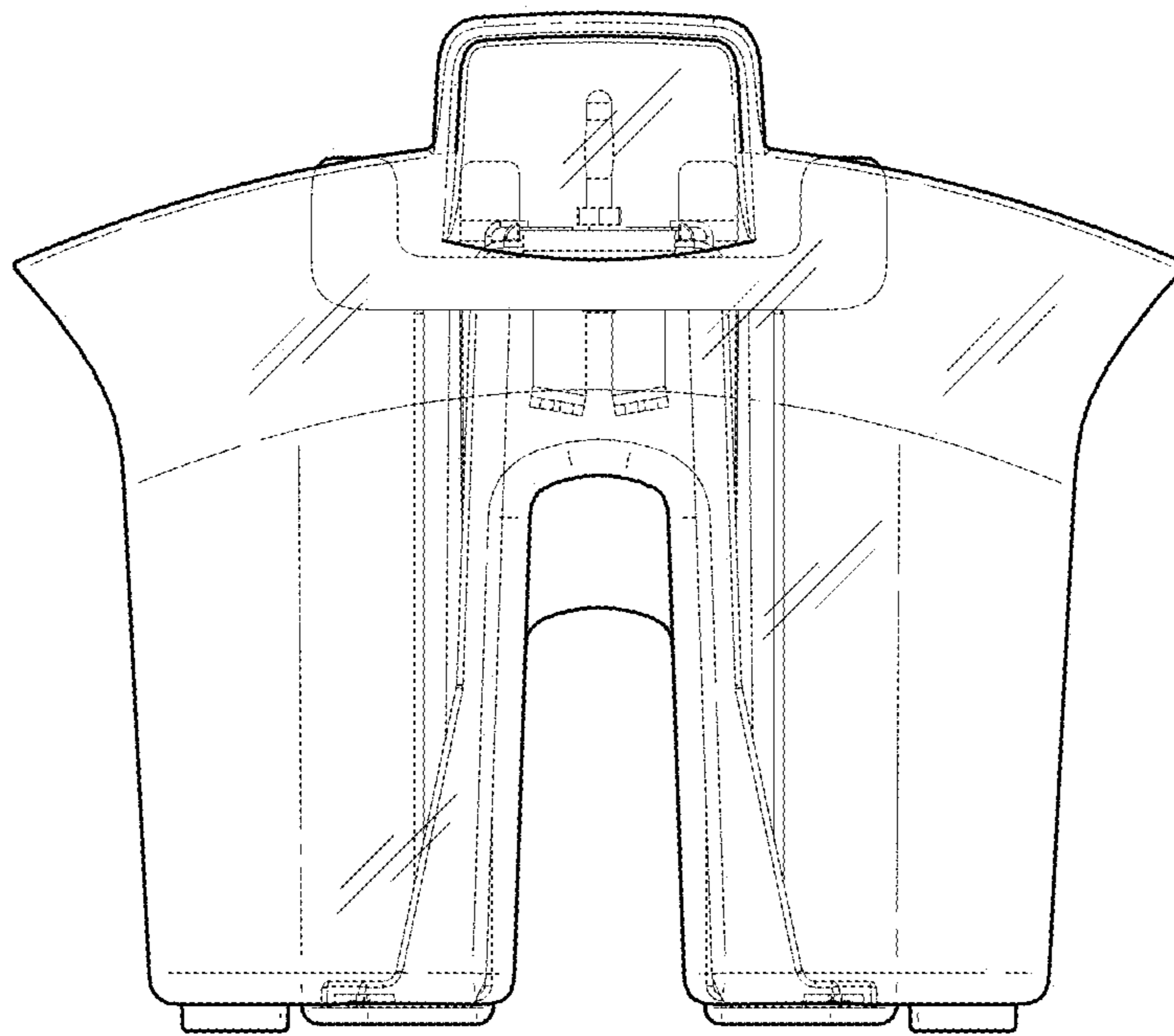


FIG. 5

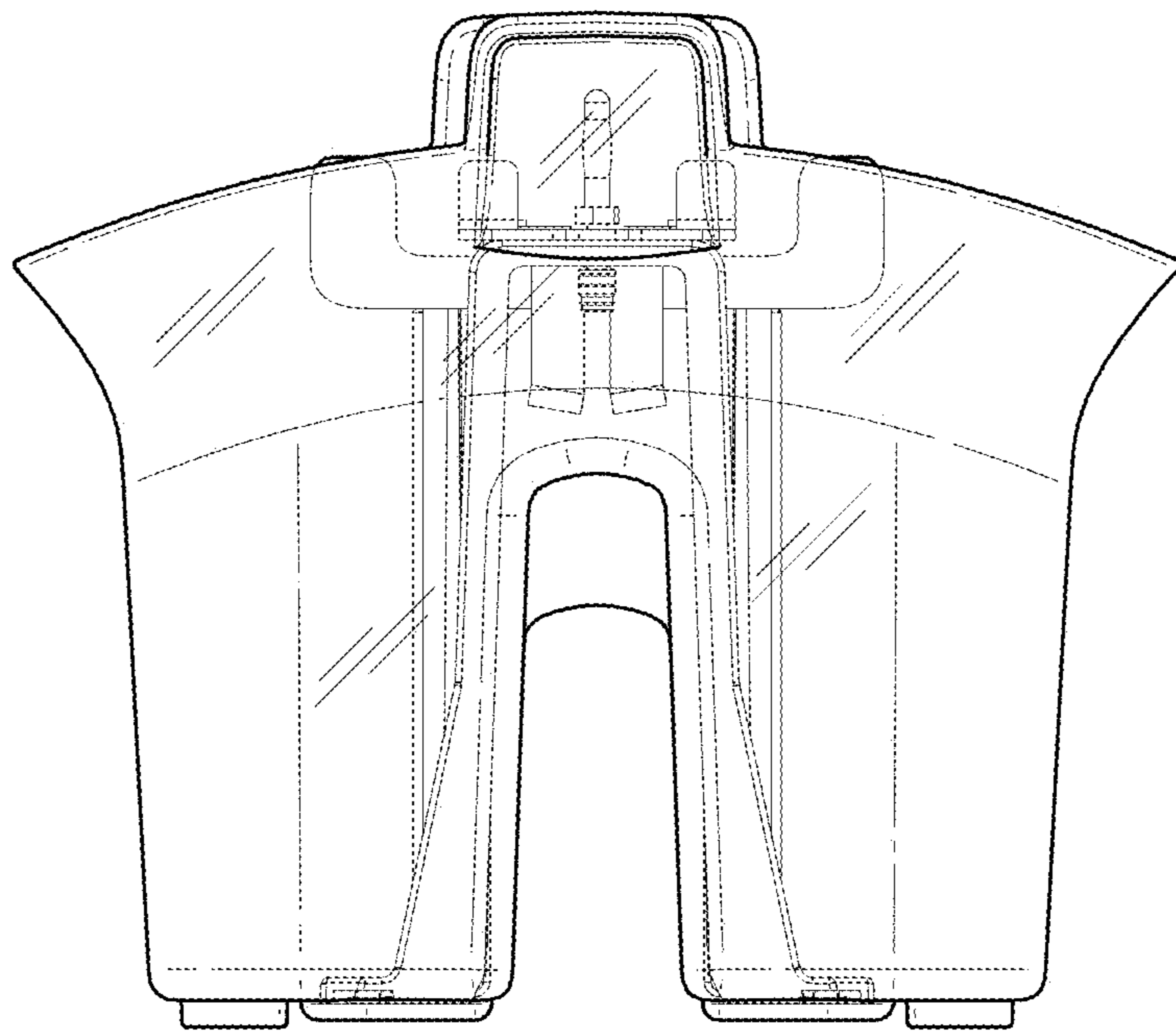


FIG. 6

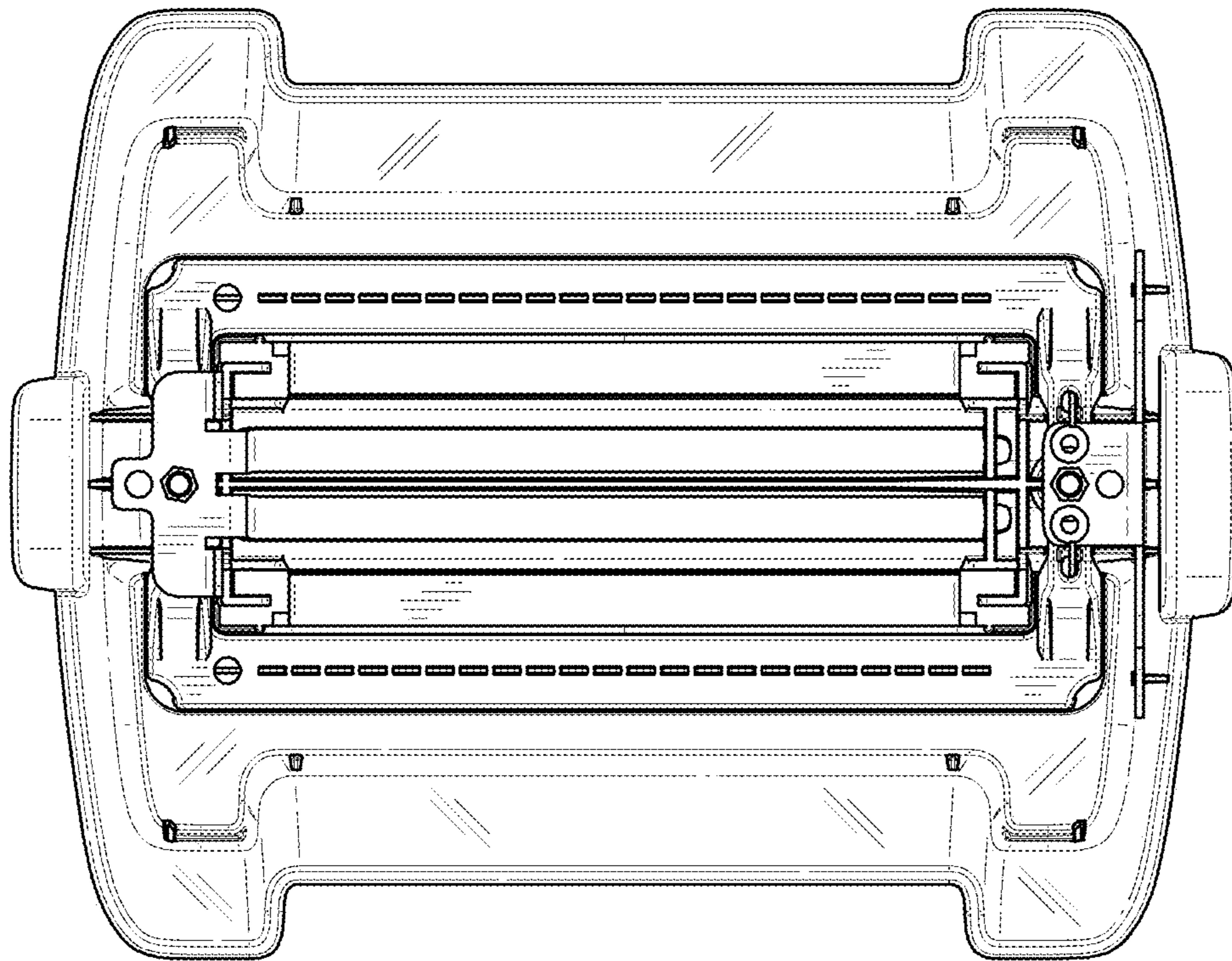


FIG. 7

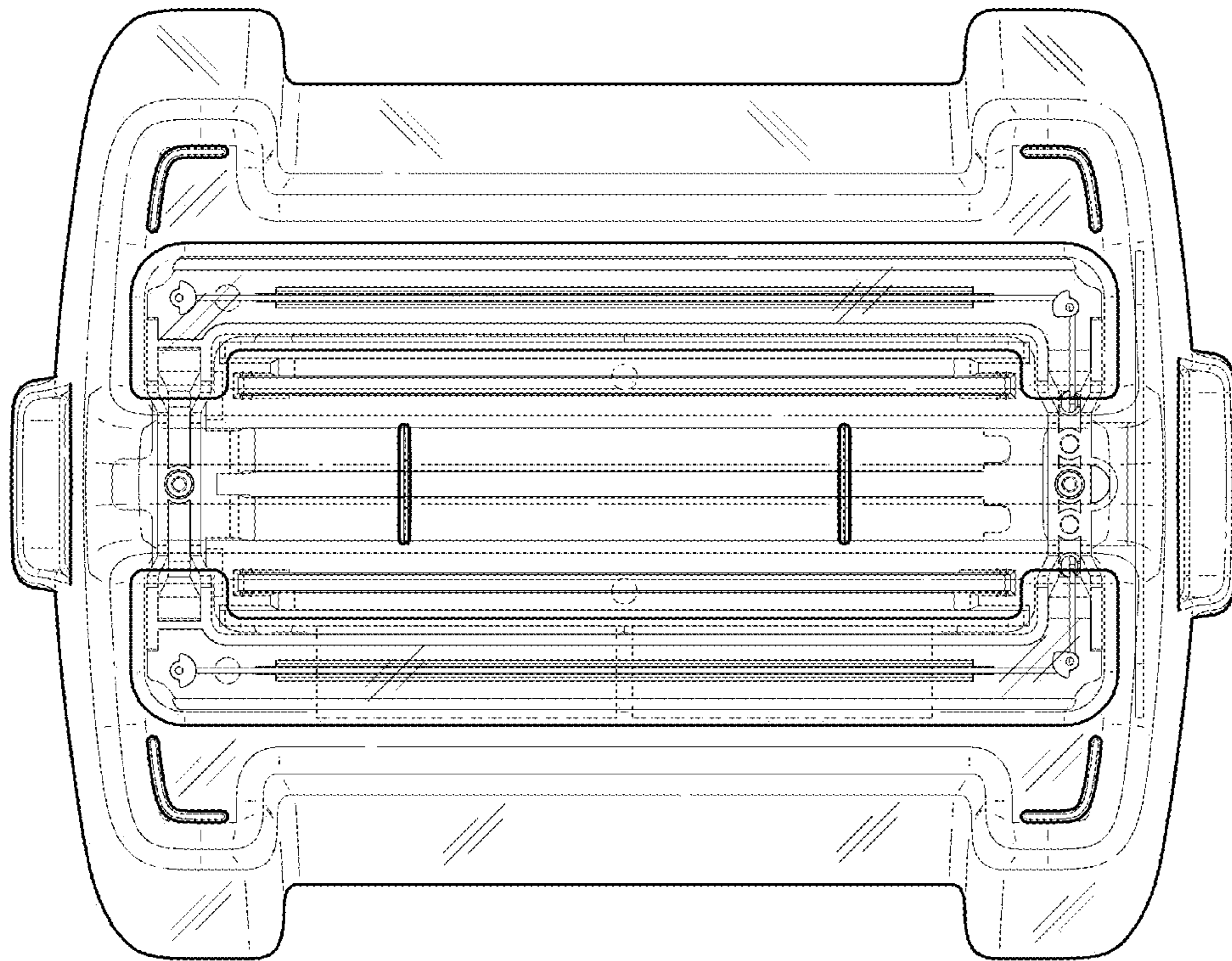


FIG. 8