



US00D975871S

(12) **United States Design Patent**
Liu

(10) **Patent No.:** **US D975,871 S**
(45) **Date of Patent:** **** Jan. 17, 2023**

(54) **BACK COVER OF MASSAGE GUN**

OTHER PUBLICATIONS

(71) Applicant: **Suying Liu**, Jiangxi (CN)

Amazon, "Massage Gun Deep Tissue", Date First Available: Jul. 6, 2021. https://www.amazon.com/Athletes-Handheld-Percussion-Portable-Stiffness/dp/B098Q46T1V/ref=cm_cr_arp_d_product_top?ie=UTF8 (Year: 2021).*

(72) Inventor: **Suying Liu**, Jiangxi (CN)

Amazon, Percussion Back Massager Gun, Date First Available: Nov. 3, 2021. https://www.amazon.com/Percussion-Massager-Athletes-Cordless-Rechargeable/dp/B09KXS8M2T/ref=cm_cr_arp_d_product_top?ie=UTF8 (Year: 2021).*

(**) Term: **15 Years**

(21) Appl. No.: **29/854,640**

(22) Filed: **Sep. 27, 2022**

* cited by examiner

(51) **LOC (14) Cl.** **24-01**

Primary Examiner — Michael A Maharajh

(52) **U.S. Cl.**

(74) *Attorney, Agent, or Firm* — ScienBiziP, P.C.

USPC **D24/215**

(58) **Field of Classification Search**

USPC D24/200, 211, 212, 213, 214, 215;
D8/14.1; D28/13

(57) **CLAIM**

CPC A61H 23/006; A61H 23/02; A61H 9/00;
A61H 7/003; A61H 7/007; A61H
15/0085; A61H 7/005; A61H 2205/062;
A61H 23/00

The ornamental design for a back cover of massage gun, as shown and described.

See application file for complete search history.

DESCRIPTION

(56) **References Cited**

FIG. 1 is a rear, right and top perspective view of a back cover of massage gun, showing my design.

U.S. PATENT DOCUMENTS

FIG. 2 is a front elevation view thereof.

| | | | | |
|--------------|---------|--------|-------|---------|
| D884,207 S * | 5/2020 | Ma | | D24/215 |
| D893,738 S * | 8/2020 | Zhuang | | D24/215 |
| D912,267 S * | 3/2021 | Tang | | D24/215 |
| D926,338 S | 7/2021 | Xu | | |
| D929,601 S | 8/2021 | Lin | | |
| D938,056 S * | 12/2021 | Wu | | D24/215 |
| D949,379 S * | 4/2022 | Xu | | D24/215 |
| D949,384 S * | 4/2022 | Liang | | D24/215 |
| D949,385 S * | 4/2022 | Zang | | D24/215 |
| D952,940 S * | 5/2022 | Mo | | D28/13 |
| D956,259 S * | 6/2022 | Xu | | D24/215 |

FIG. 3 is a rear elevation view thereof.

FIG. 4 is a left side elevation view thereof.

FIG. 5 is a right side elevation view thereof.

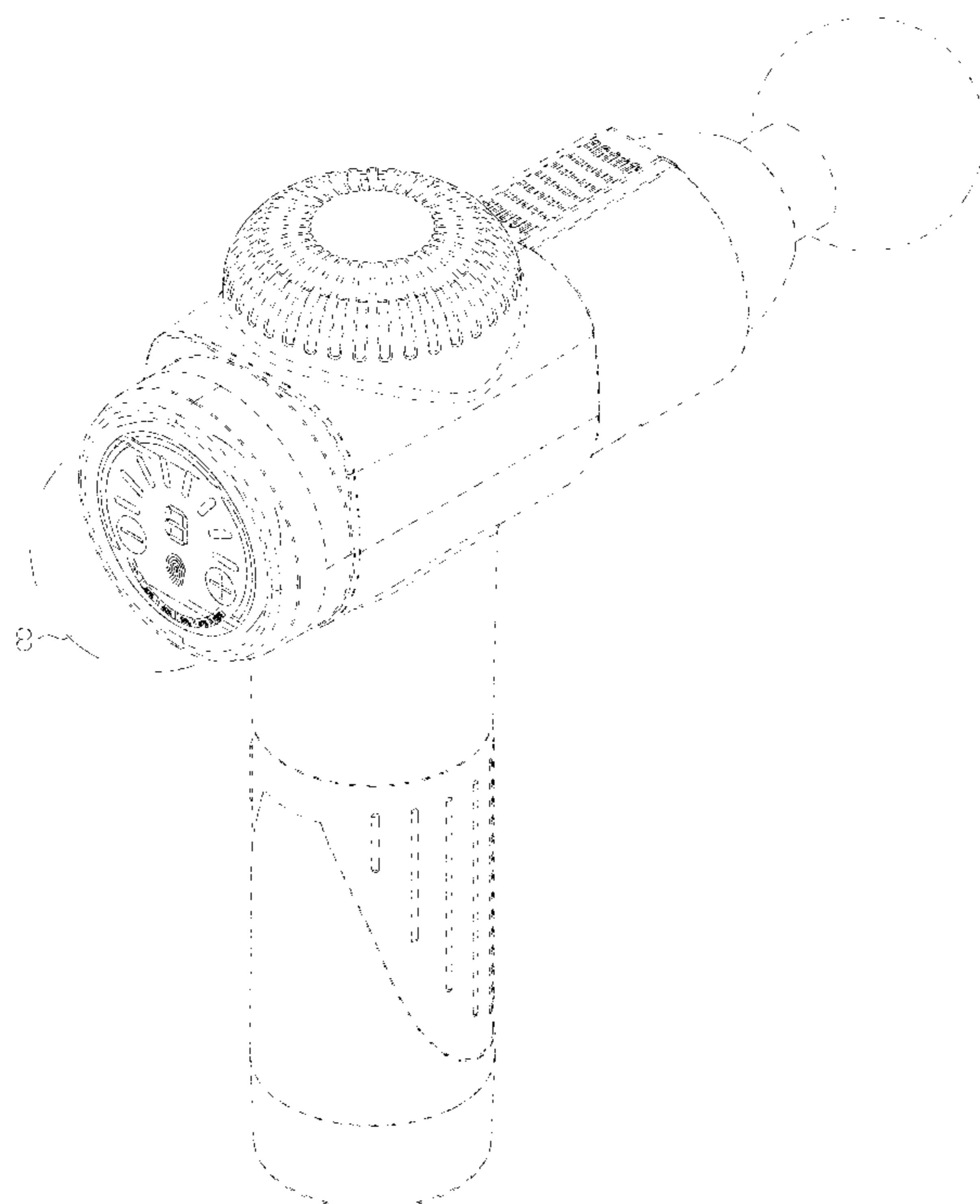
FIG. 6 is a top plan view thereof.

FIG. 7 is a bottom plan view thereof; and,

FIG. 8 is an enlarged view of an area labeled 8 in FIG. 1.

The broken lines depict environmental structure of the back cover of massage gun that form no part of the claimed design.

1 Claim, 8 Drawing Sheets



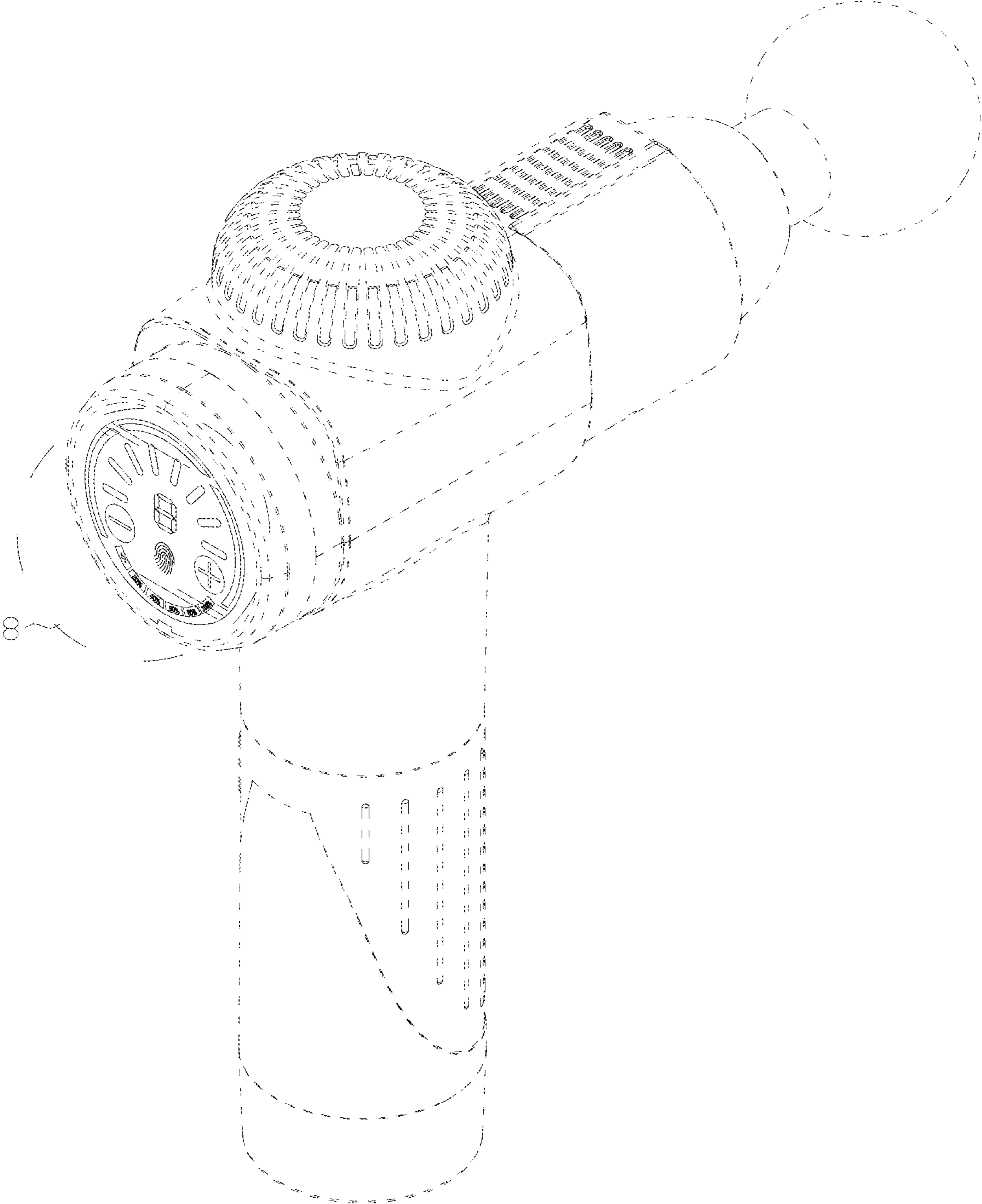


FIG.1

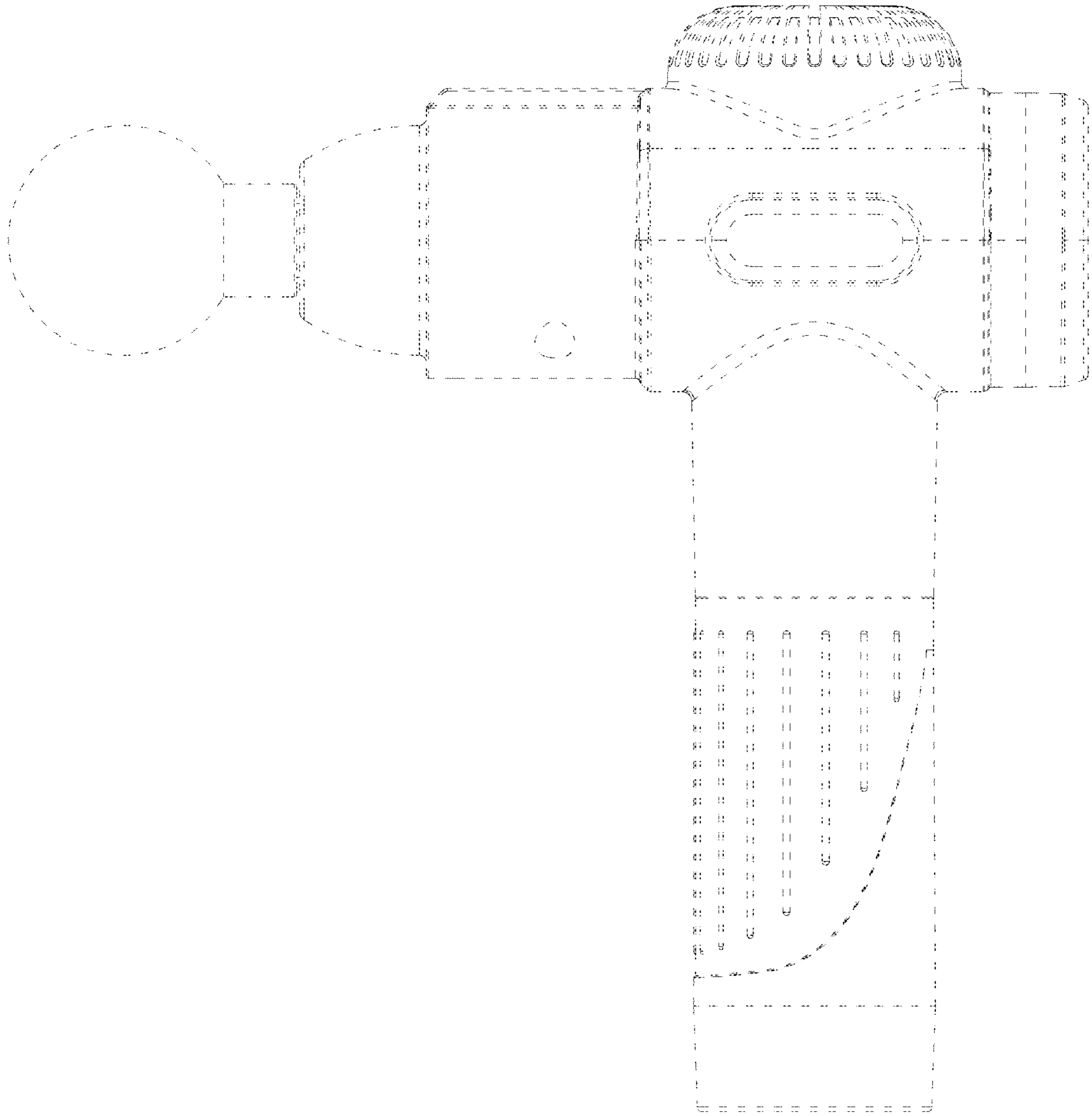


FIG. 2

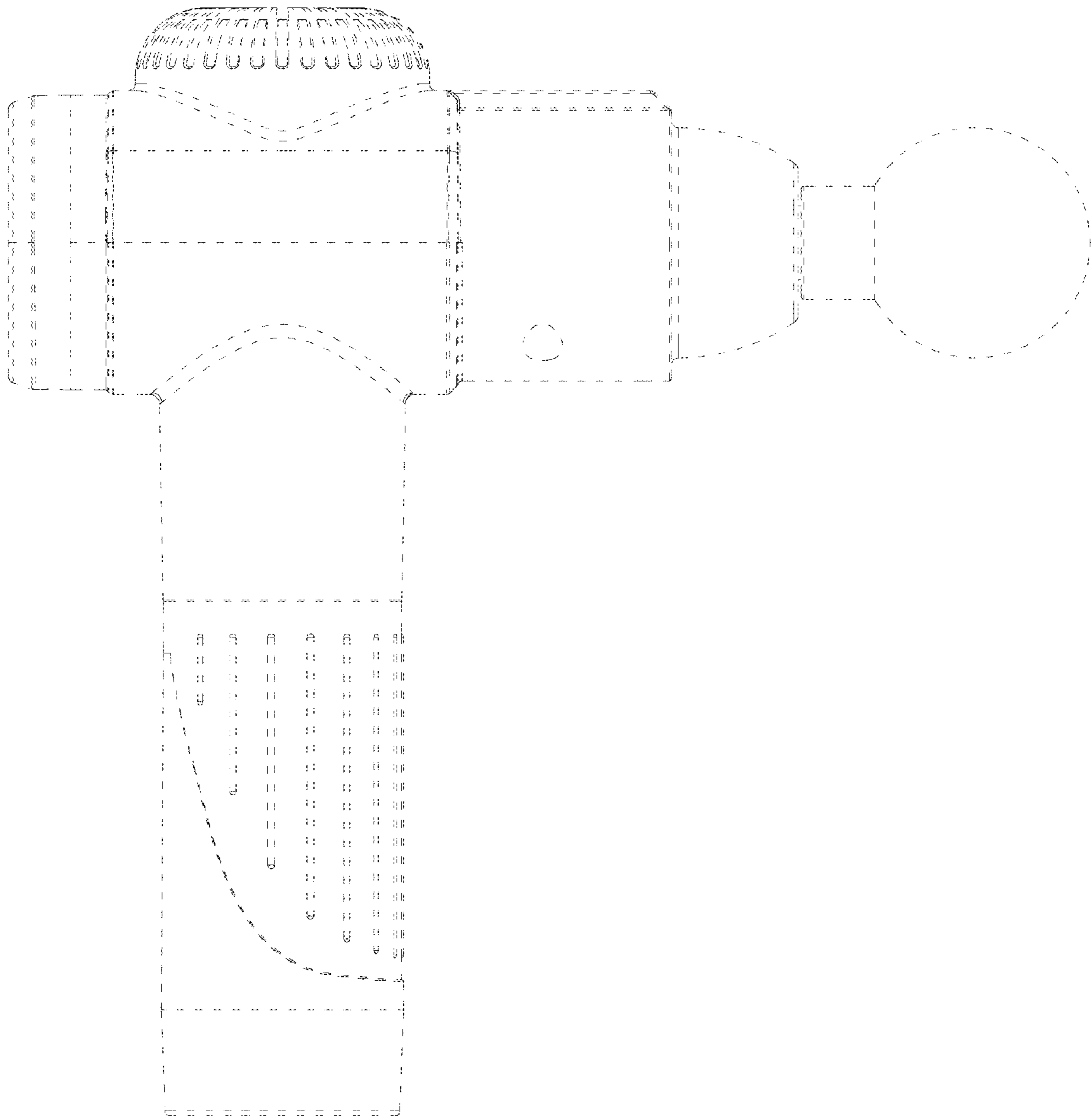


FIG.3

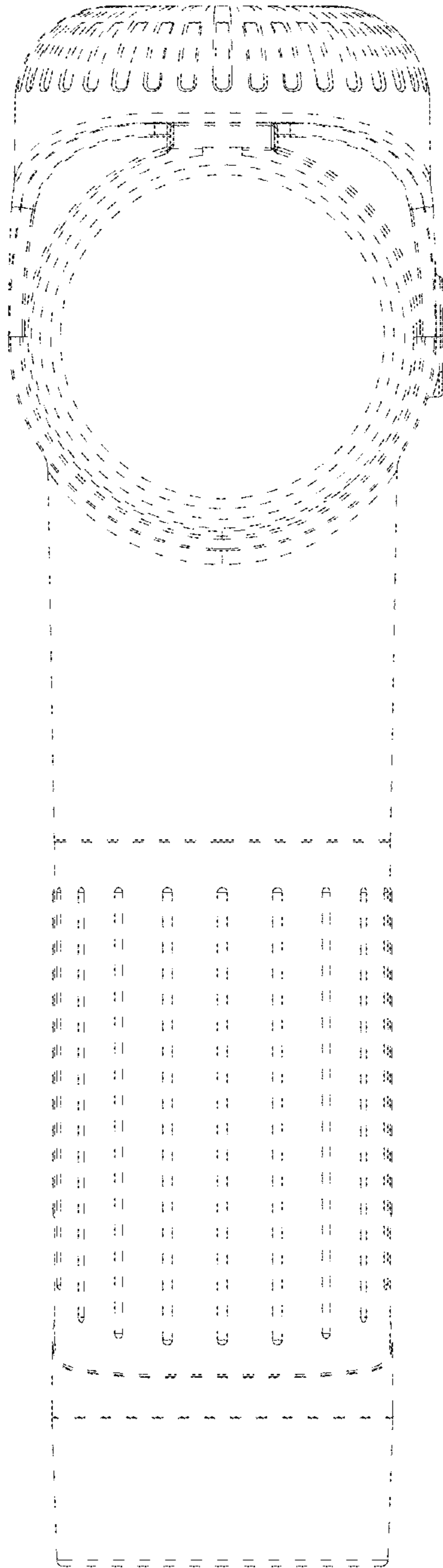


FIG.4

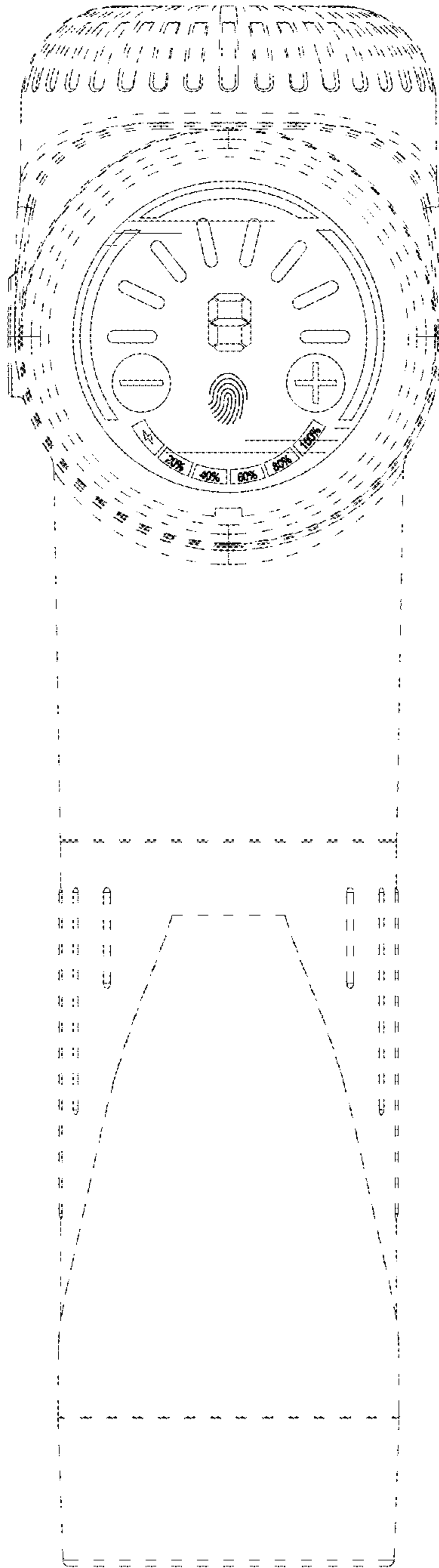


FIG. 5

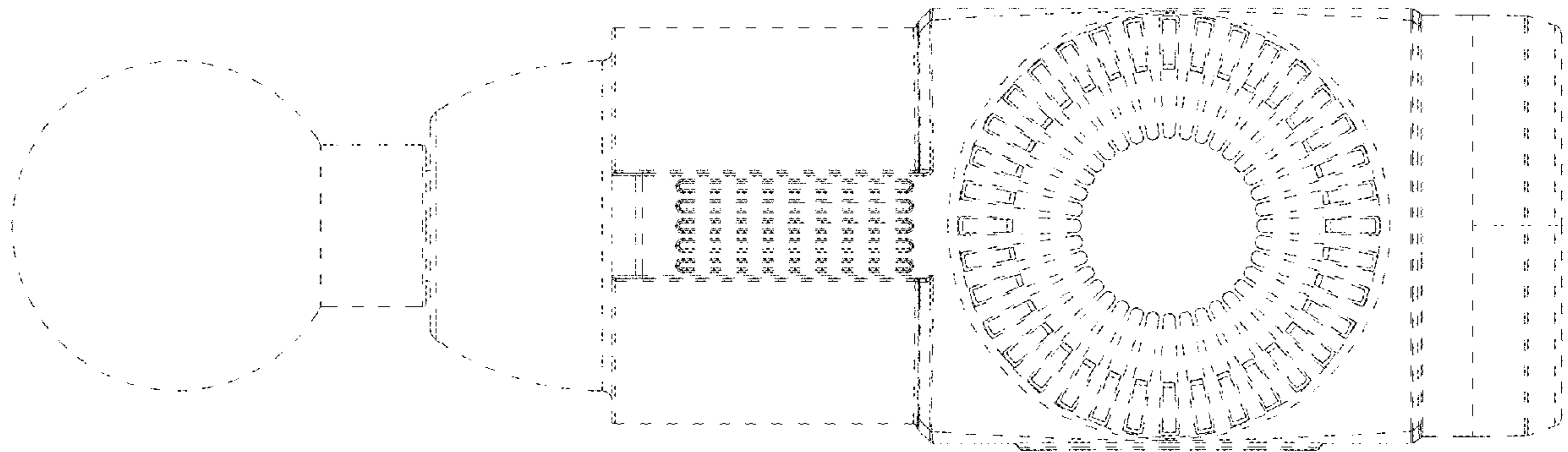


FIG.6

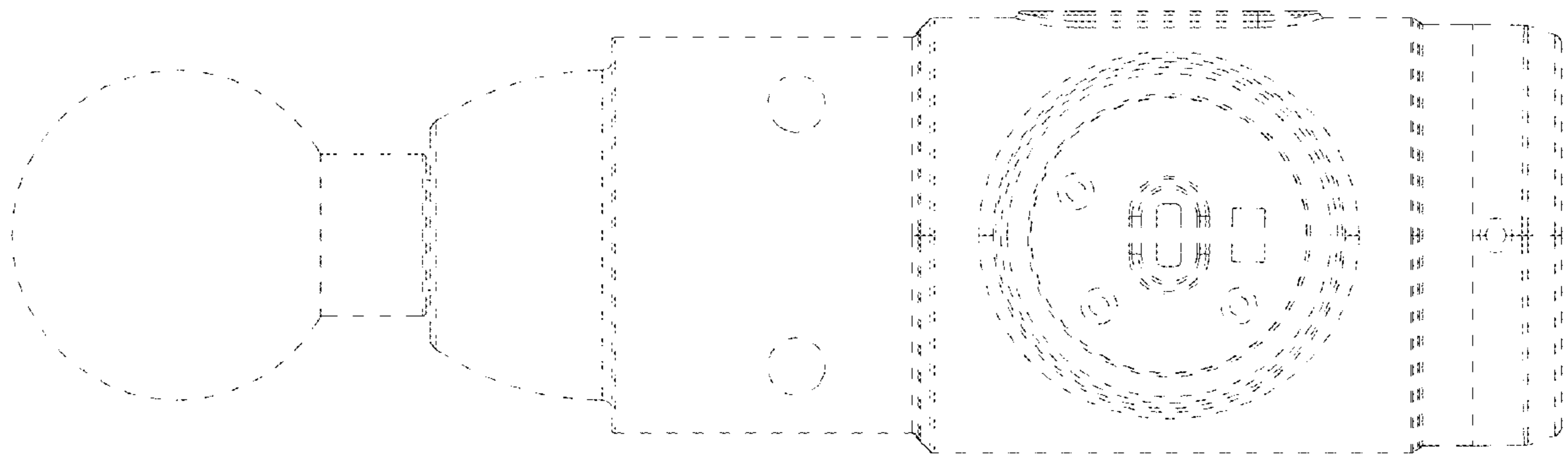


FIG. 7



FIG. 8