



US00D975866S

(12) **United States Design Patent**
Marton et al.

(10) **Patent No.:** **US D975,866 S**
(45) **Date of Patent:** **** Jan. 17, 2023**

(54) **TRANSPARENT APPLICATOR HEAD FOR PERCUSSIVE MASSAGE DEVICE**

(71) Applicant: **Hyper Ice, Inc.**, Irvine, CA (US)

(72) Inventors: **Robert Marton**, Yorba Linda, CA (US); **Anthony Katz**, Laguna Niguel, CA (US); **Eli A. Guerron**, Redwood City, CA (US)

(73) Assignee: **Hyper Ice, Inc.**, Irvine, CA (US)

(**) Term: **15 Years**

(21) Appl. No.: **29/777,205**

(22) Filed: **Apr. 4, 2021**

(51) **LOC (14) Cl.** **28-03**

(52) **U.S. Cl.**
USPC **D24/215**

(58) **Field of Classification Search**
USPC D24/200, 211, 212, 213, 214, 215;
D26/113, 154; D8/300; D9/434, 443;
D11/181
CPC A61H 2015/0014; A61H 7/007; A61H
23/006; A61H 2015/0042; A61H 33/6089
See application file for complete search history.

(56) **References Cited**

U.S. PATENT DOCUMENTS

D408,543 S	4/1999	Back	
D715,955 S *	10/2014	Hsu	A61H 19/00 D24/215
D837,395 S *	1/2019	Gan	D24/214
D847,364 S	4/2019	Lee et al.	
10,314,762 B1	6/2019	Marton et al.	
D855,822 S	8/2019	Marton et al.	
D863,571 S	10/2019	Yang	
D866,790 S	11/2019	Lee et al.	
D873,432 S	1/2020	Dunn	
D874,015 S	1/2020	Marton et al.	

D875,961 S	2/2020	Li
D884,205 S	5/2020	Zhuang
D884,207 S	5/2020	Ma
D886,317 S	6/2020	Marton et al.
D895,829 S	9/2020	Hu
D910,870 S	2/2021	Marton et al.

(Continued)

FOREIGN PATENT DOCUMENTS

CN	3108457	4/1999
CN	3155803	8/2000

(Continued)

OTHER PUBLICATIONS

Amazon, "Hypervolt Go 2", Date First Available: Apr. 4, 2022.
https://www.amazon.com/Hypervolt-Featuring-Technology-Percussion-Interchangeable/dp/B09W737GFR?ref_ast_sto_dp (Year: 2022).*

(Continued)

Primary Examiner — Michael A Maharajh
(74) *Attorney, Agent, or Firm* — Patterson Intellectual Property Law, P.C.; Jerry Turner Sewell

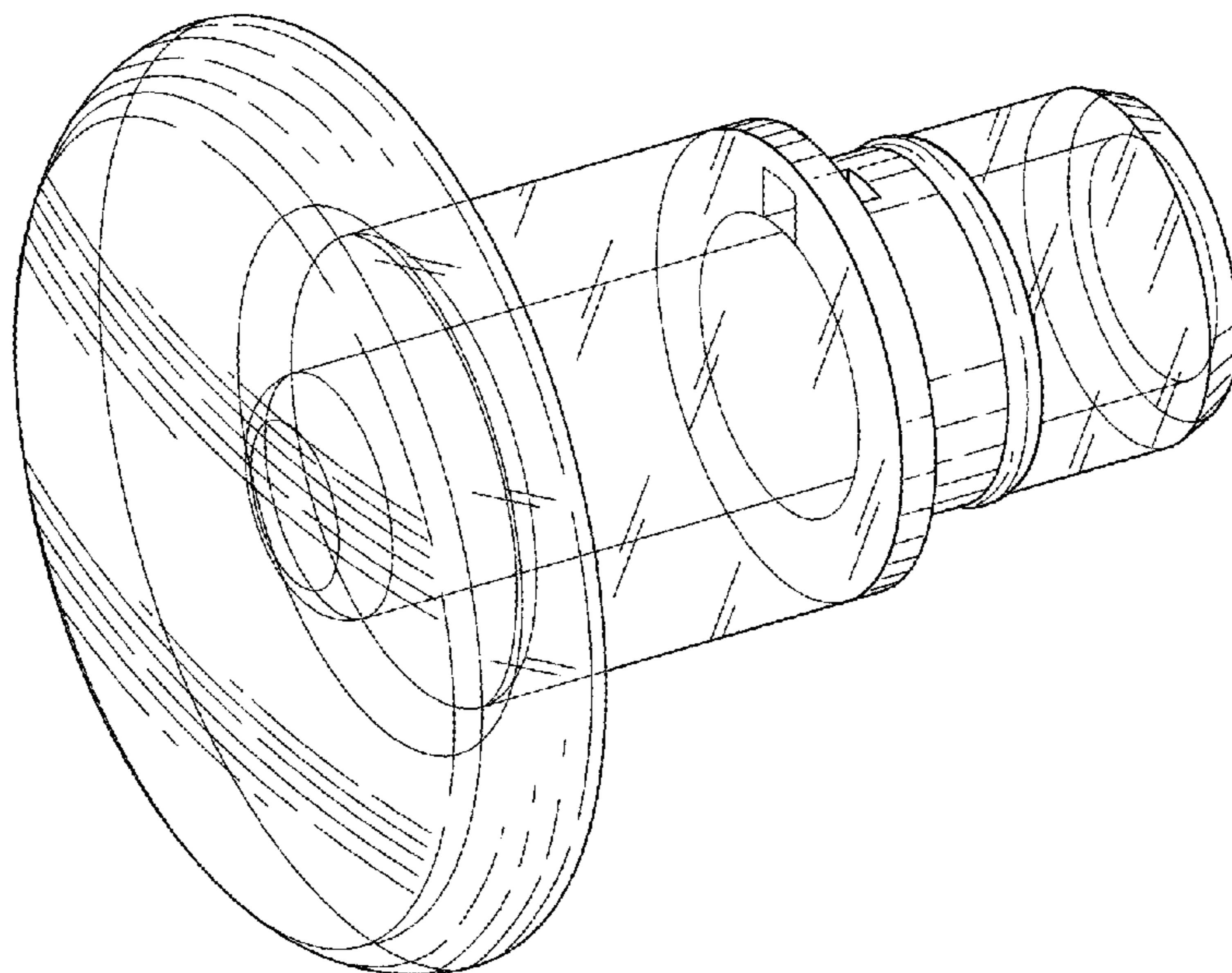
(57) **CLAIM**

The ornamental design for a transparent applicator head for percussive massage device, as shown and described.

DESCRIPTION

FIG. 1 is a front perspective view of a transparent applicator head for percussive massage device of the present design; FIG. 2 is a rear perspective view thereof; FIG. 3 is a top plan view thereof; FIG. 4 is a bottom plan view thereof; FIG. 5 is a left side view thereof; FIG. 6 is a right side view thereof; FIG. 7 is a front view thereof; and, FIG. 8 is a rear view thereof.

1 Claim, 4 Drawing Sheets



(56)

References Cited

U.S. PATENT DOCUMENTS

D914,477 S * 3/2021 Watson D8/310
D918,405 S * 5/2021 Wersland D24/211
D949,366 S * 4/2022 Li D24/215
D949,418 S * 4/2022 Khubani D24/215
D952,878 S * 5/2022 Lin D24/215
2004/0260213 A1* 12/2004 Szczepanski A61H 15/0085
601/87
2019/0254921 A1 8/2019 Marton et al.

FOREIGN PATENT DOCUMENTS

CN 3202355 9/2001
CN 3209707 11/2001
CN 3249359 7/2002
CN 3337572 11/2003
CN 3395112 9/2004
CN 3488401 11/2005
CN 302319938 S 2/2013
CN 303389916 S 9/2015
CN 303457647 S 11/2015
CN 305167898 S 5/2019
CN 305313554 S 8/2019
CN 305571224 S 1/2020
CN 305628440 S 2/2020
CN 305651652 S 3/2020
CN 305747546 S 4/2020
CN 305795992 S 5/2020
CN 305863004 S 6/2020
CN 306219678 S 12/2020

OTHER PUBLICATIONS

Hyper Ice, Inc., Advertisement for "Hypervolt," Mar. 28, 2018, 1 page.

* cited by examiner

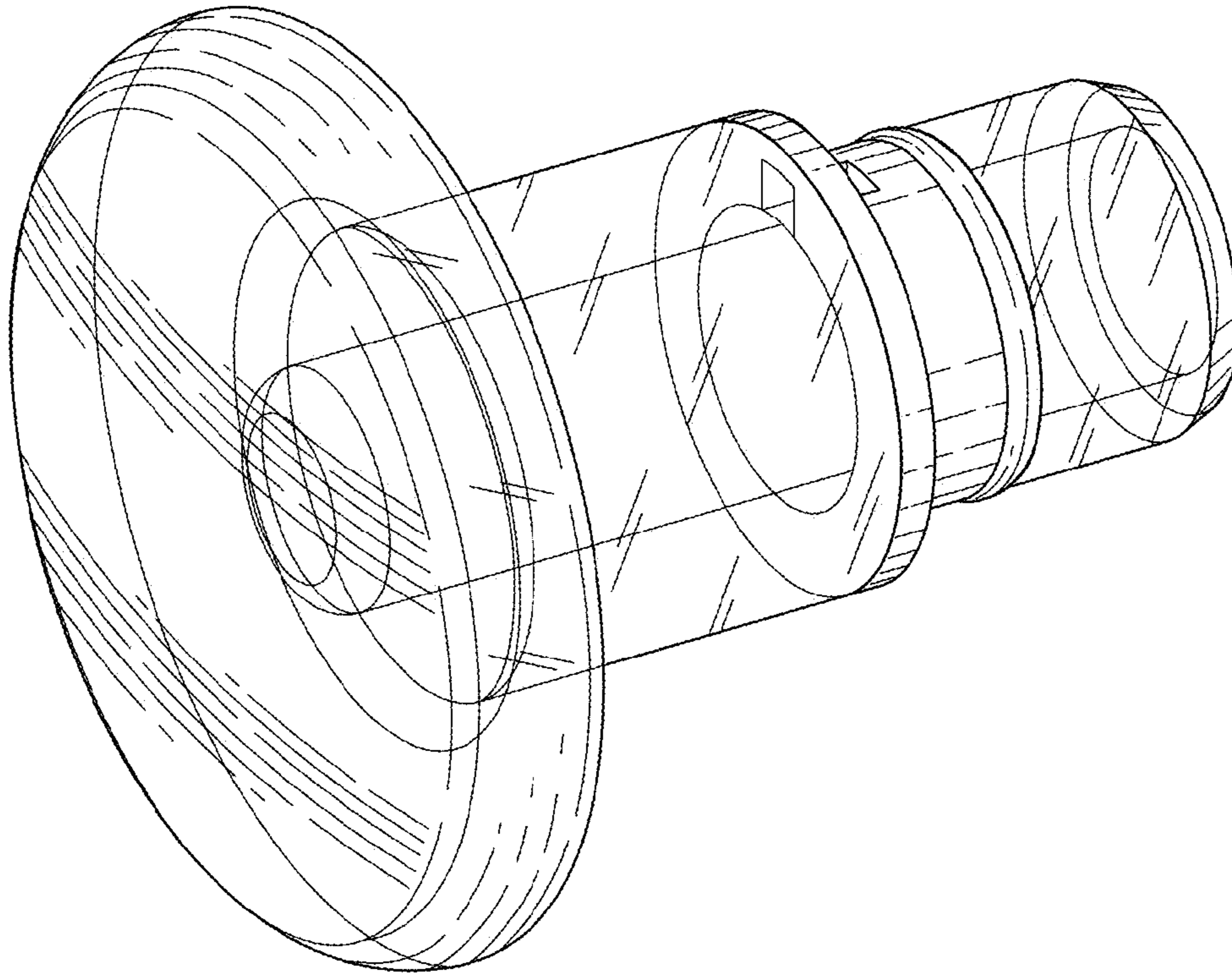


FIG. 1

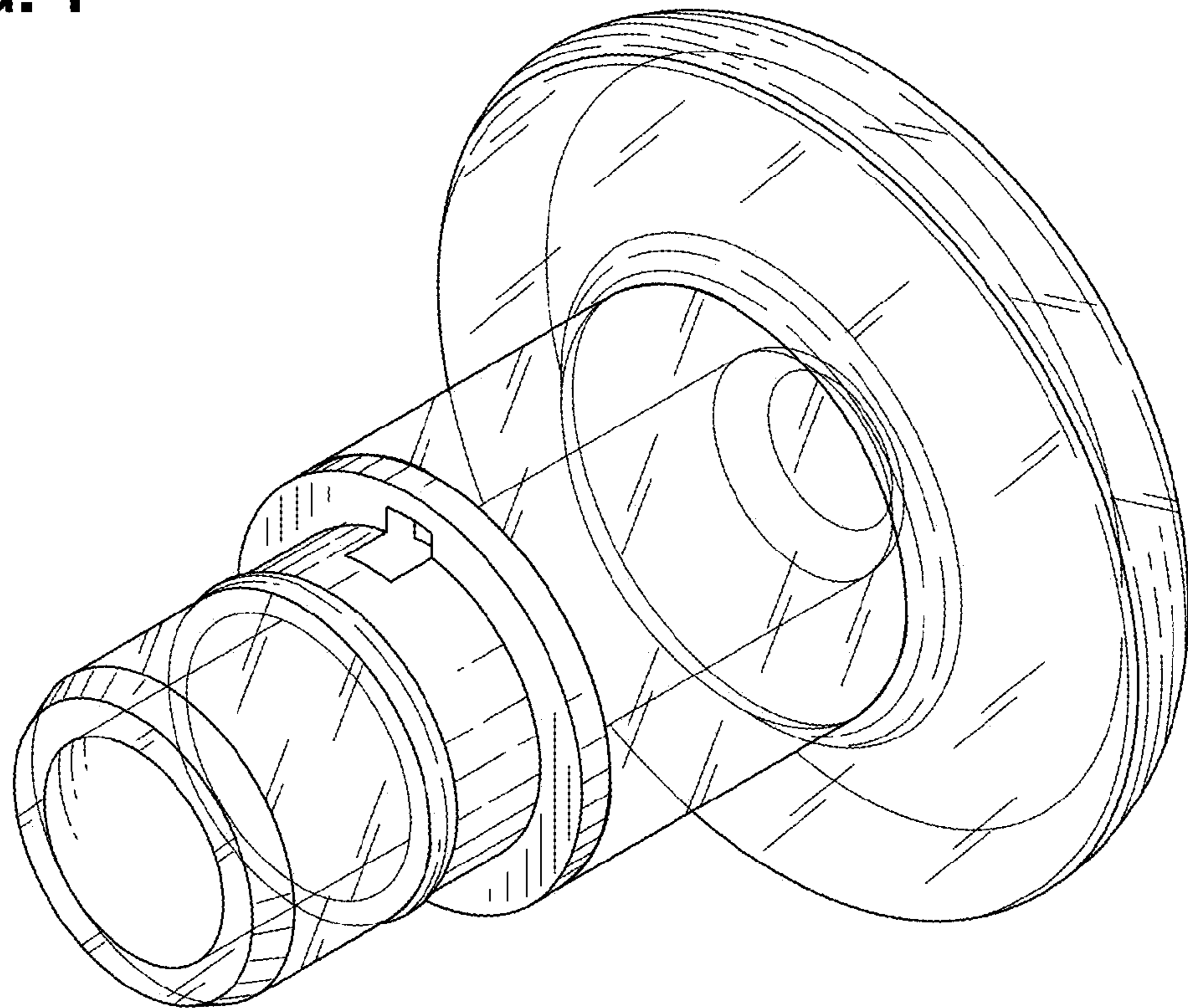


FIG. 2

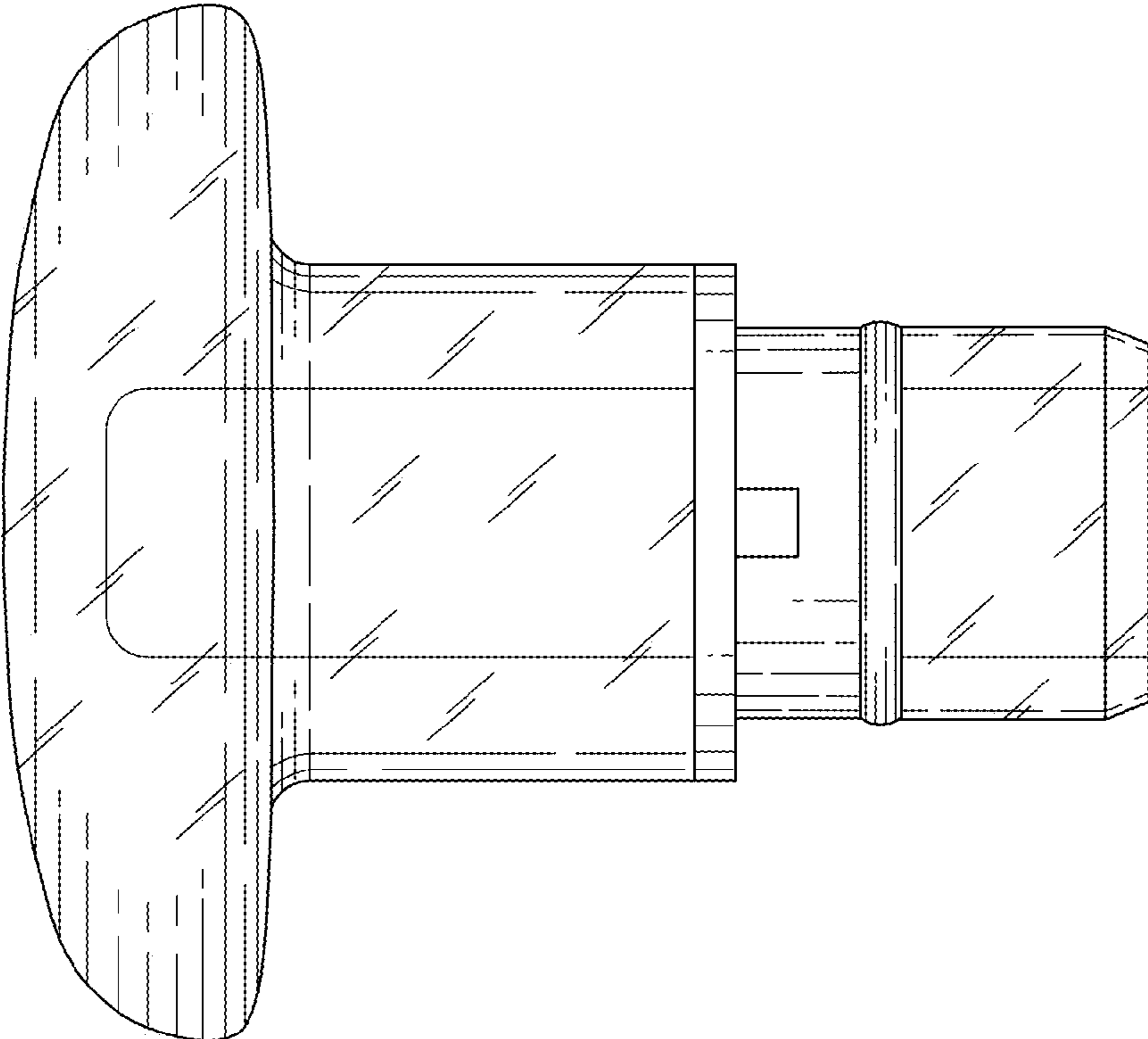


FIG. 3

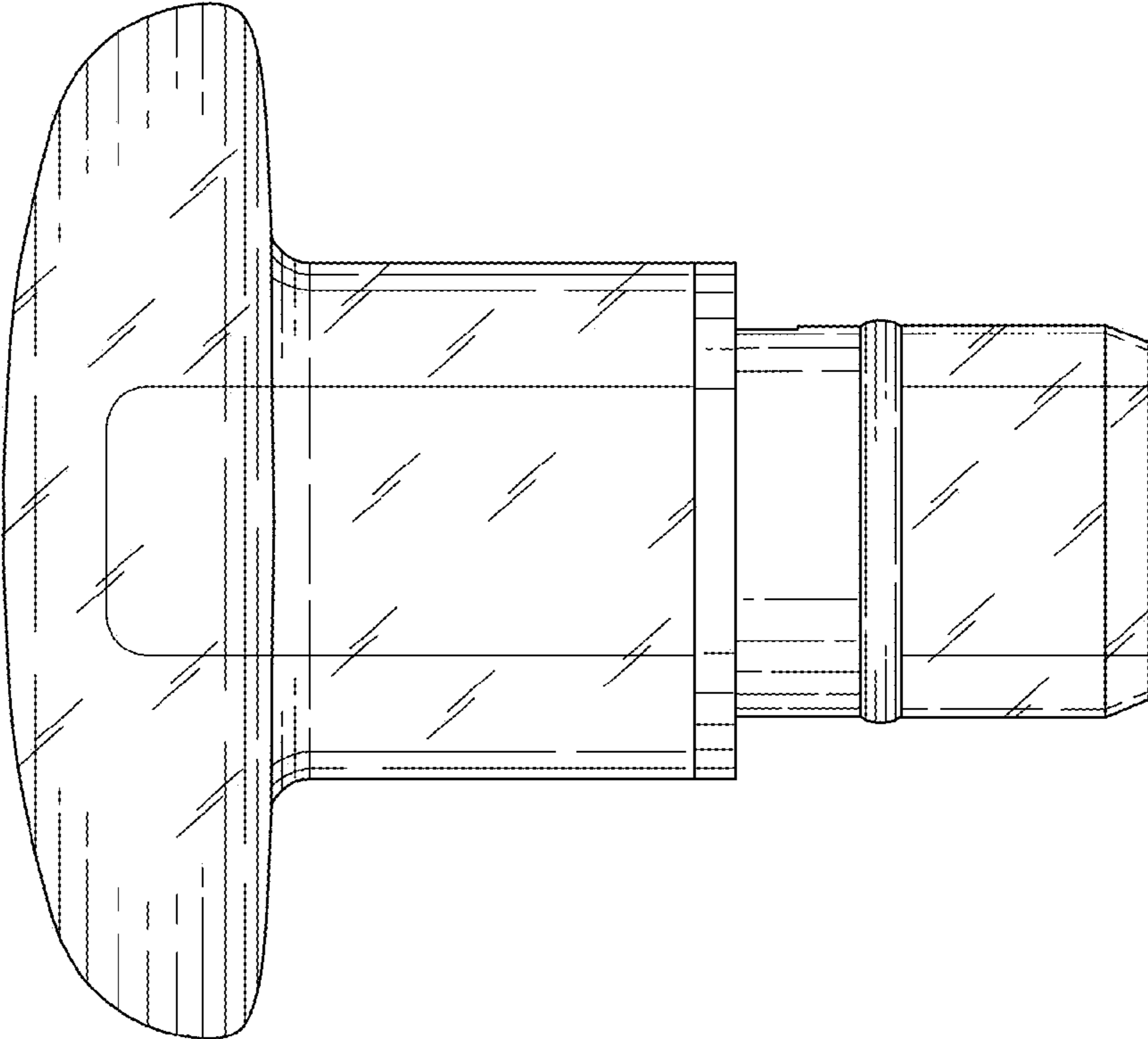


FIG. 4

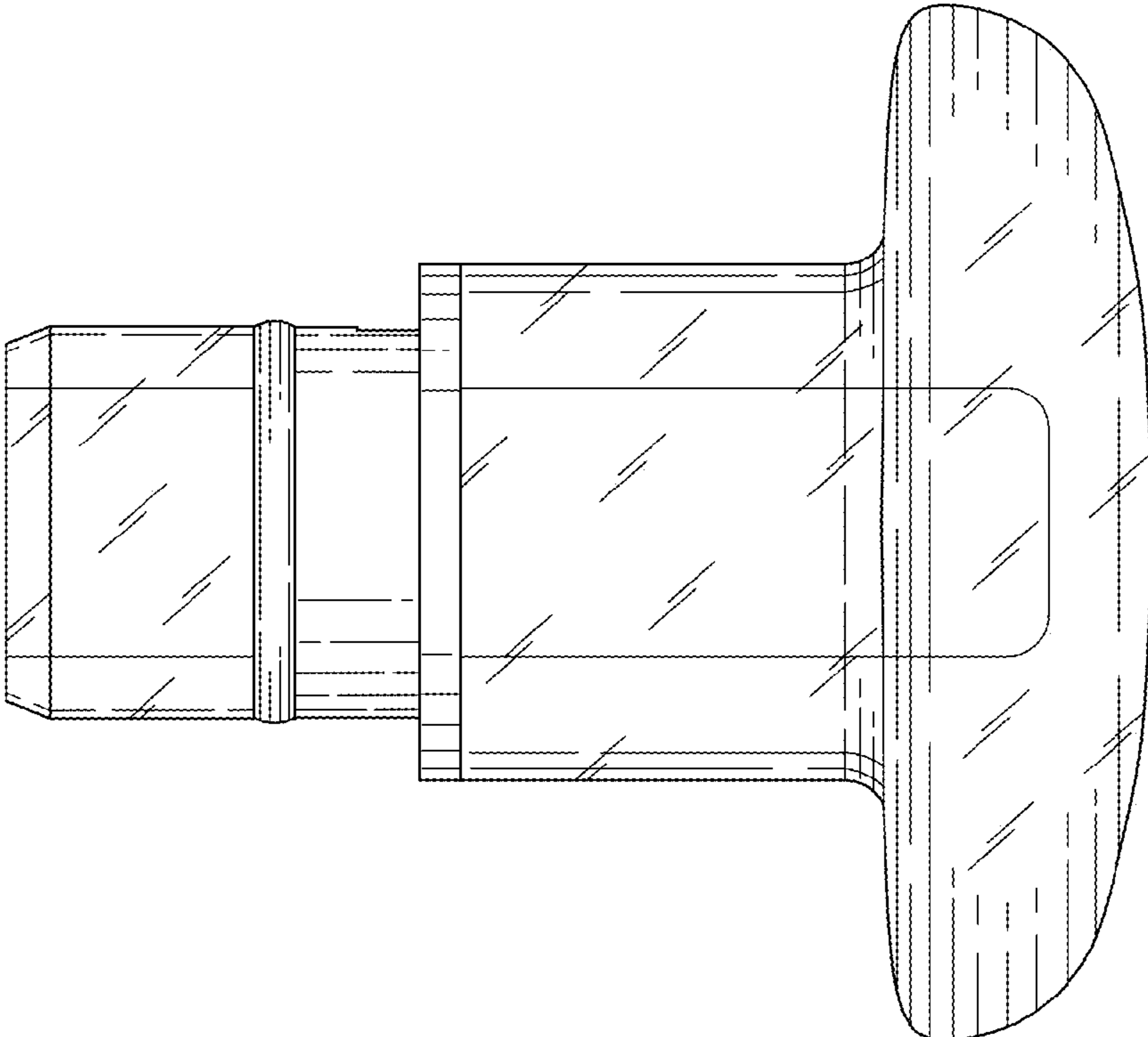


FIG. 5

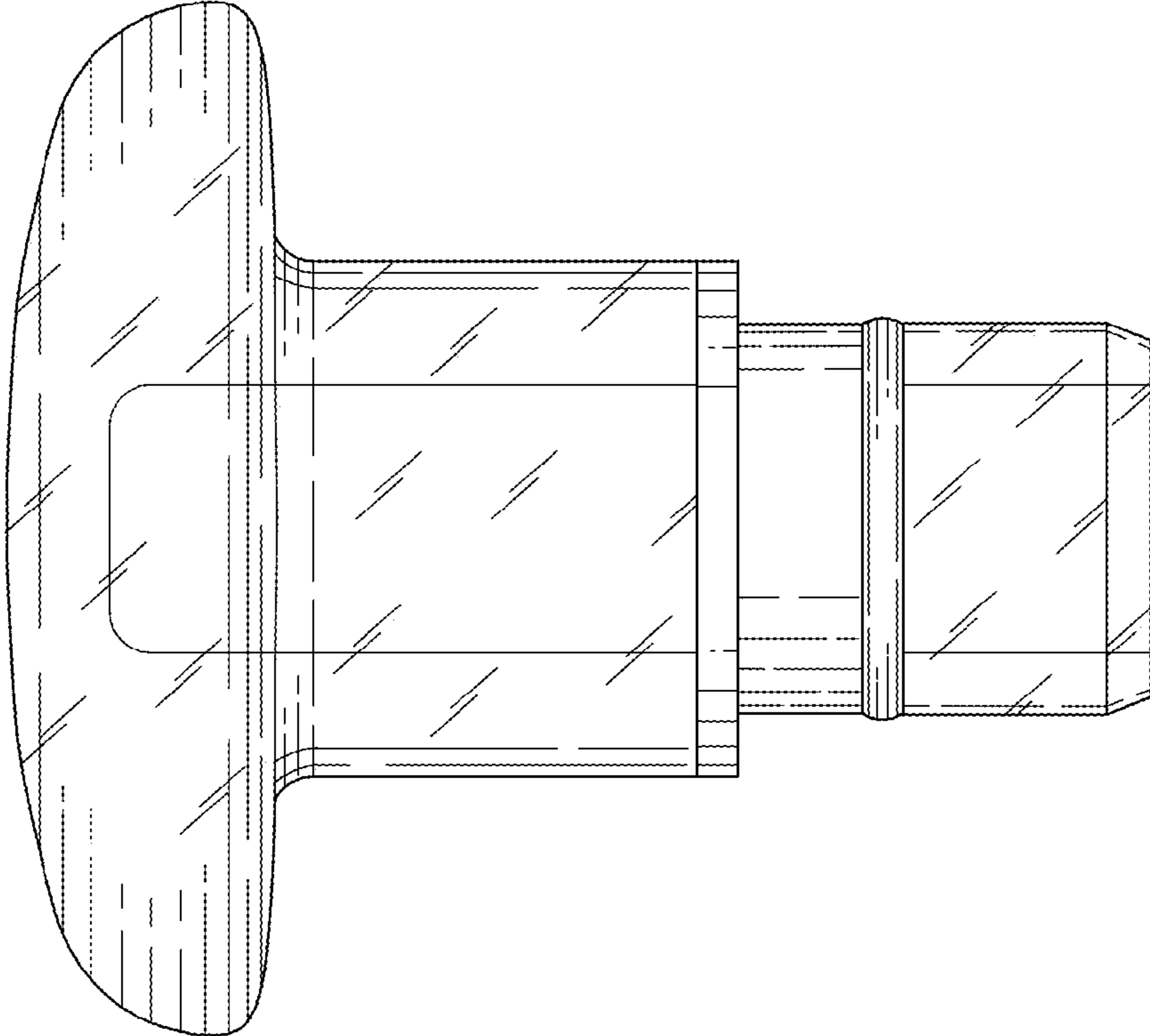


FIG. 6

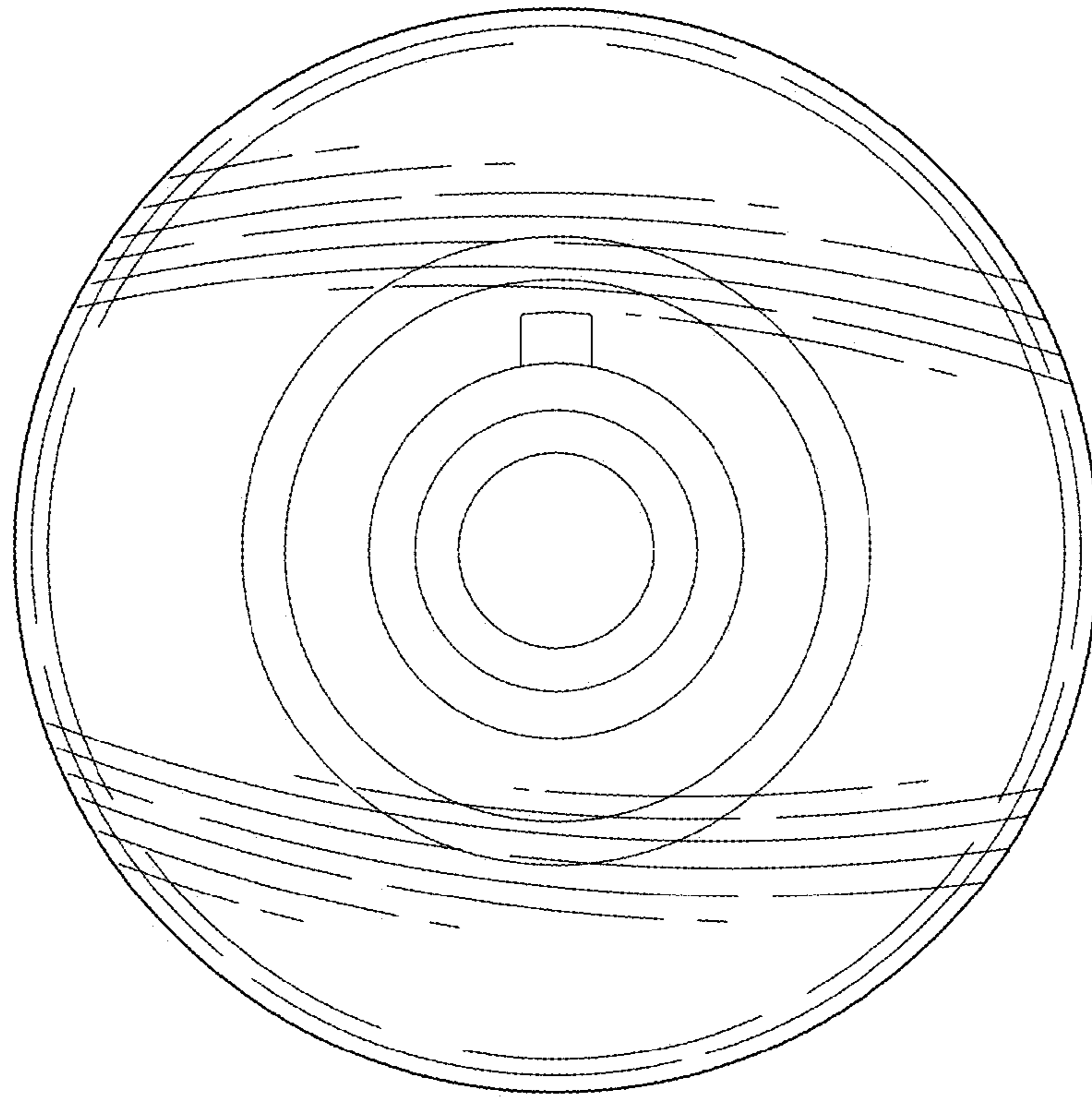


FIG. 7

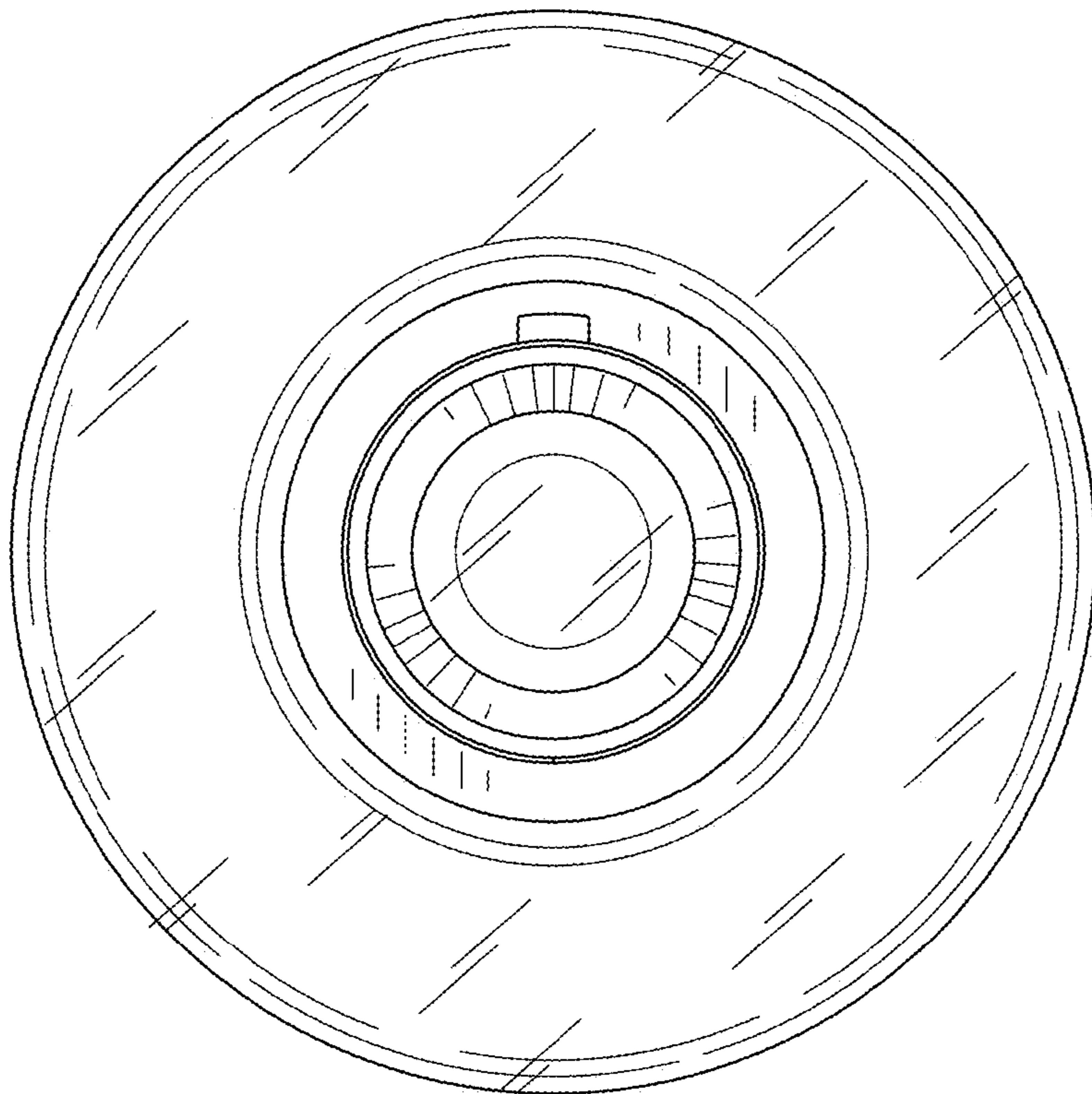


FIG. 8