



US00D975863S

(12) **United States Design Patent**
Zhang

(10) **Patent No.:** **US D975,863 S**
(45) **Date of Patent:** **** Jan. 17, 2023**

(54) **MESSAGE HEAD OF MESSAGE APPARATUS**

(71) Applicant: **Sichuan Qianli-beoka Medical Technology Inc., Sichuan (CN)**

(72) Inventor: **Wen Zhang, Chengdu (CN)**

(73) Assignee: **Sichuan Qianli-beoka Medical Technology Inc.**

(**) Term: **15 Years**

(21) Appl. No.: **29/771,213**

(22) Filed: **Feb. 21, 2021**

(30) **Foreign Application Priority Data**

Aug. 21, 2020 (CN) 202030484399.1

(51) **LOC (14) Cl.** **24-01**

(52) **U.S. Cl.**
USPC **D24/215**

(58) **Field of Classification Search**
USPC D24/200, 211, 212, 213, 214, 215;
D26/113, 154; D8/300; D9/434, 443;
D11/181

CPC A61H 2015/0014; A61H 7/007; A61H
23/006; A61H 2015/0042; A61H 33/6089
See application file for complete search history.

(56) **References Cited**

U.S. PATENT DOCUMENTS

D725,790 S * 3/2015 Givord D24/214
D849,260 S * 5/2019 Wersland D24/211
D850,640 S * 6/2019 Wersland D24/211
D890,942 S * 7/2020 Wersland D24/211
D910,870 S * 2/2021 Marton D24/215
D918,404 S * 5/2021 Wersland D24/211

D918,405 S * 5/2021 Wersland D24/211
D928,334 S * 8/2021 Chou D24/215
D931,492 S * 9/2021 Li D24/215
D949,418 S * 4/2022 Khubani D24/215
D952,878 S * 5/2022 Lin D24/211

OTHER PUBLICATIONS

Amazon, "Bob and Brad Mini Massage Gun", First Available Date Oct. 30, 2020. <https://www.amazon.com/BOB-BRAD-Pocket-Sized-Massager-Percussion/dp/B08M8YSFC7> (Year: 2020).*

* cited by examiner

Primary Examiner — Michael A Maharajh
(74) *Attorney, Agent, or Firm* — Timothy T. Wang; Ni, Wang & Massand, PLLC

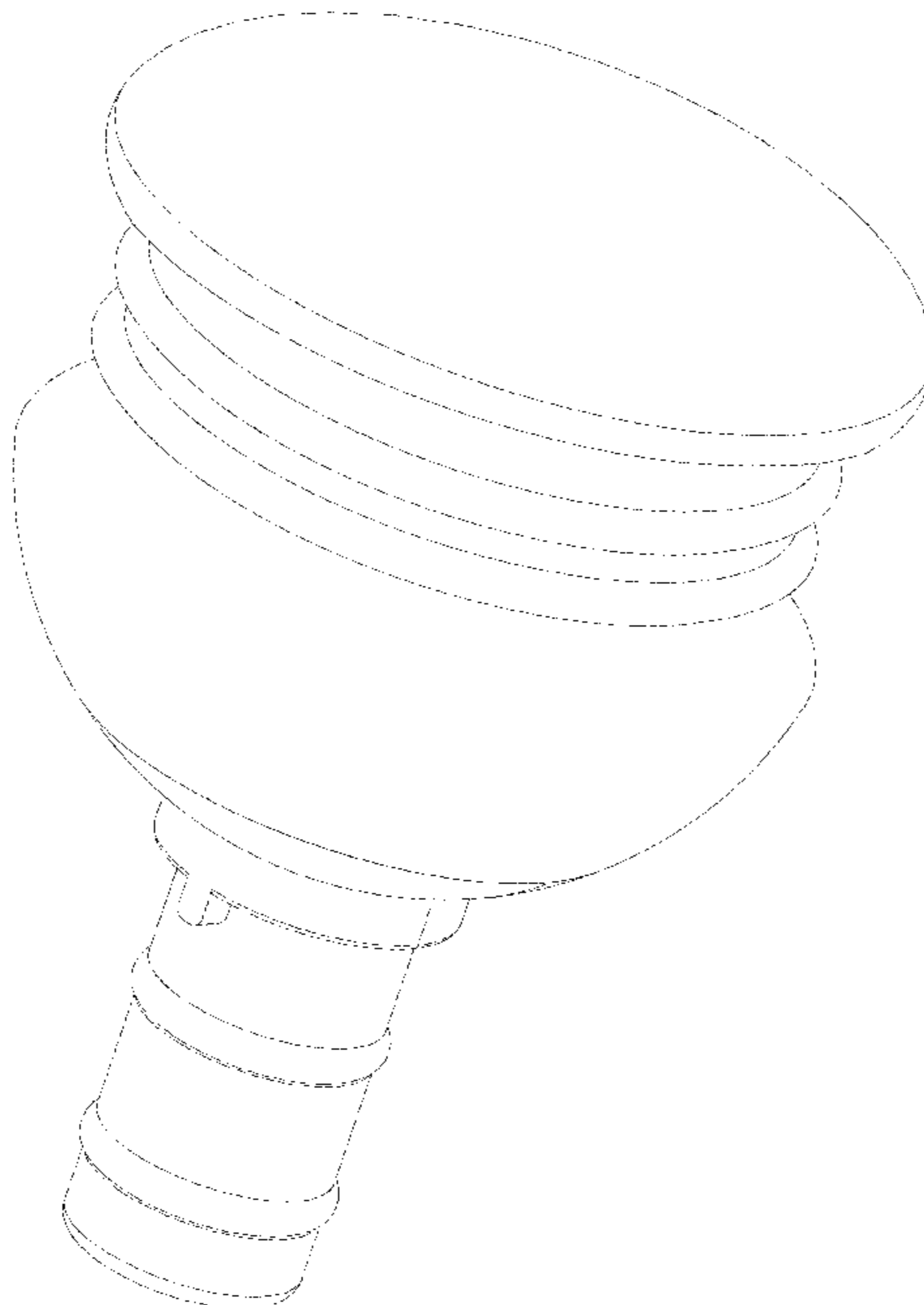
(57) **CLAIM**

The ornamental design for a massage head of message apparatus, as shown and described.

DESCRIPTION

FIG. 1 is a front perspective view of a massage head of message apparatus showing my new design; FIG. 2 is a back elevational view thereof; FIG. 3 is a front elevational view thereof; FIG. 4 is a right-side elevational view thereof; FIG. 5 is a left-side elevational view thereof; FIG. 6 is a top plan view thereof; and, FIG. 7 is a bottom plan view thereof. The broken lines shown in the figures are for the purpose of illustrating portions of the massage head of message apparatus, which form no part of the claimed design.

1 Claim, 7 Drawing Sheets



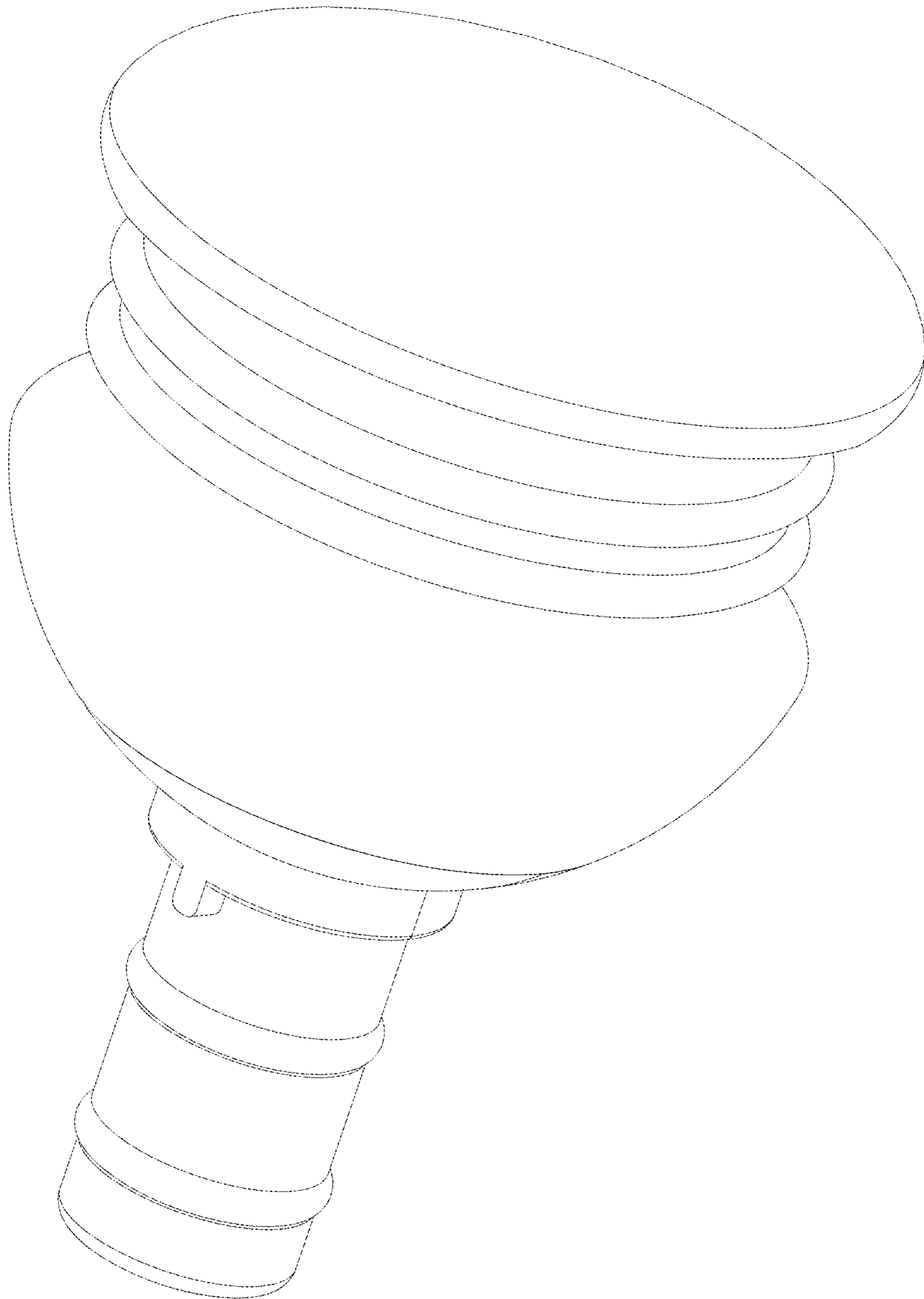


FIG. 1

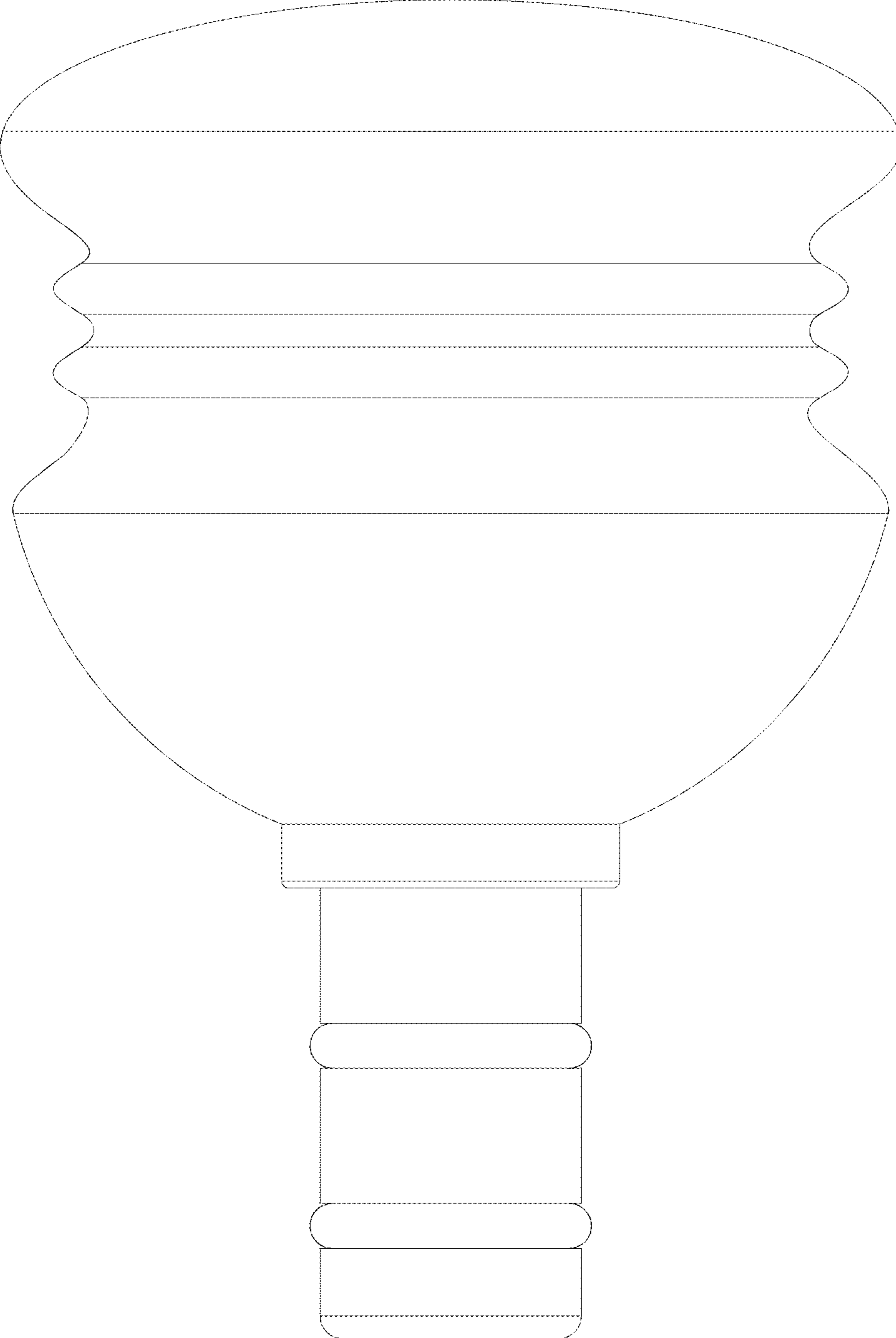


FIG. 2

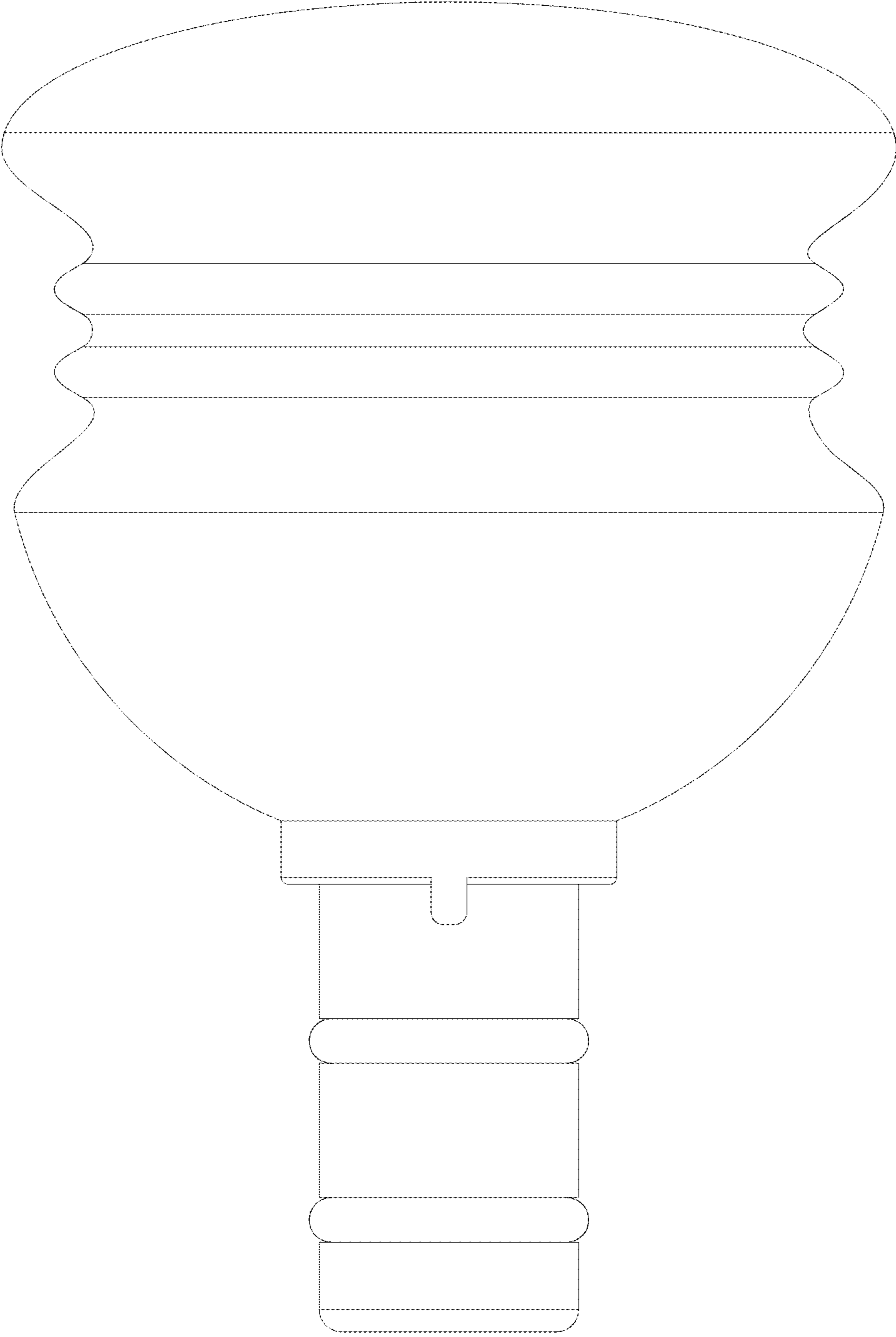


FIG. 3

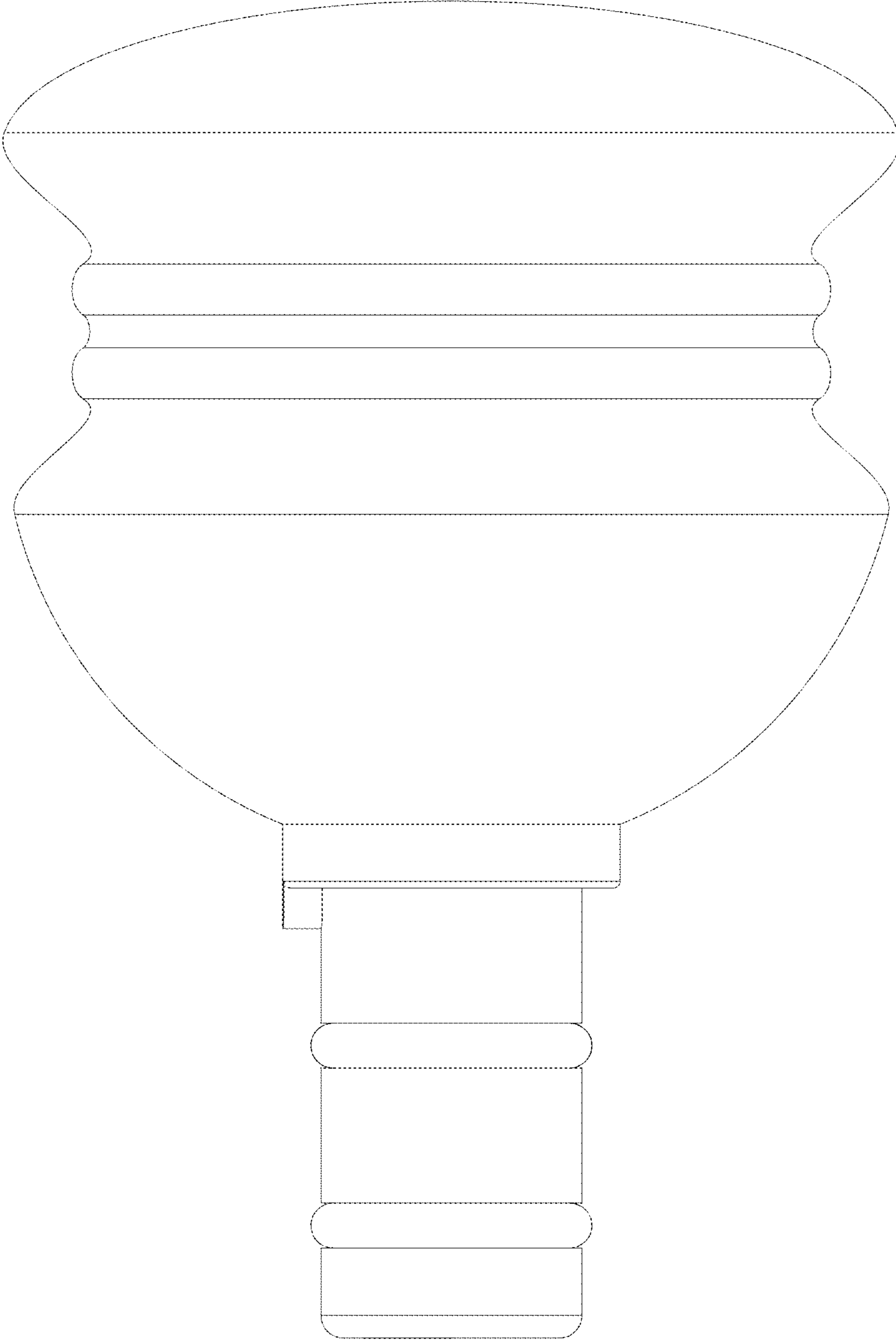


FIG. 4

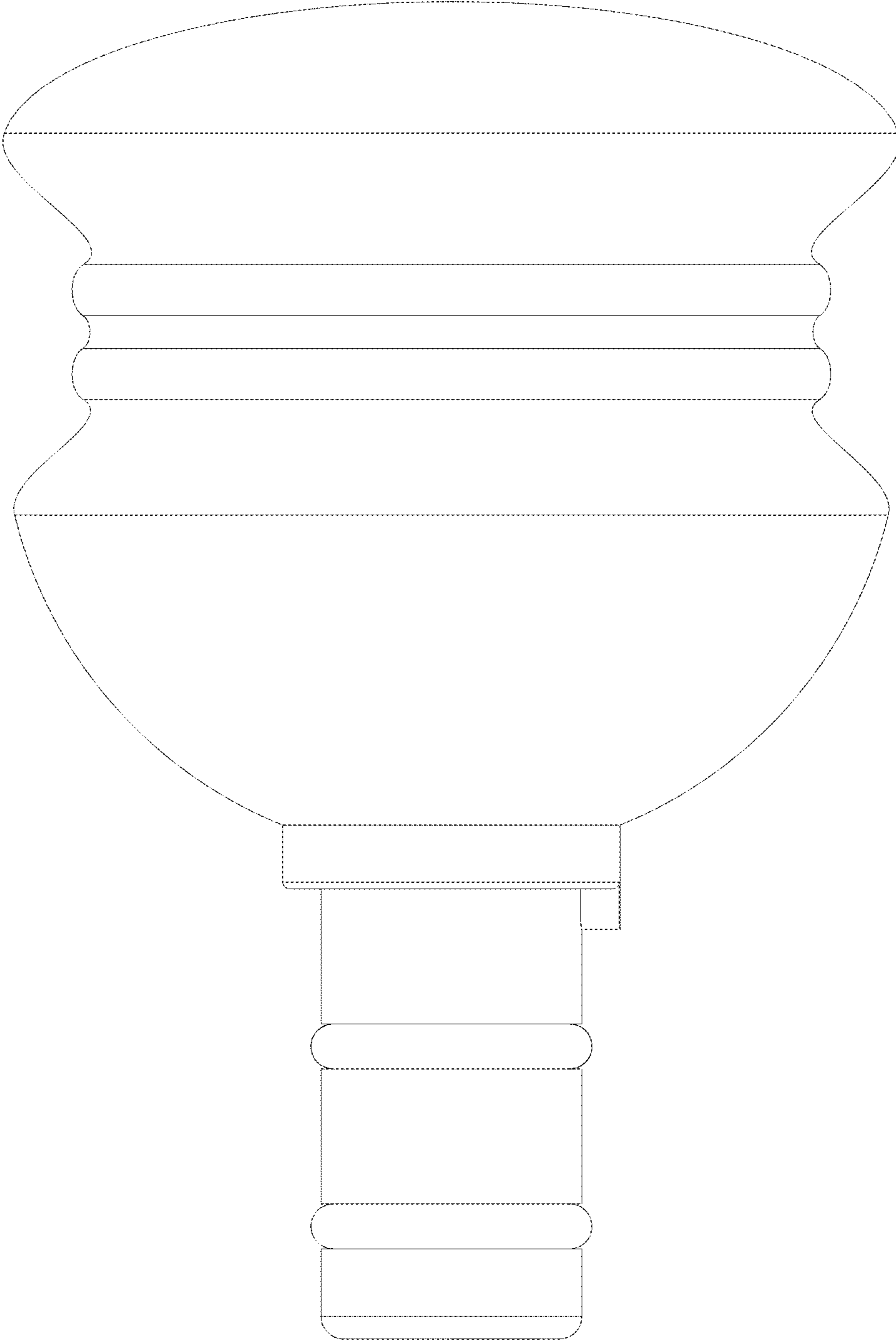


FIG. 5

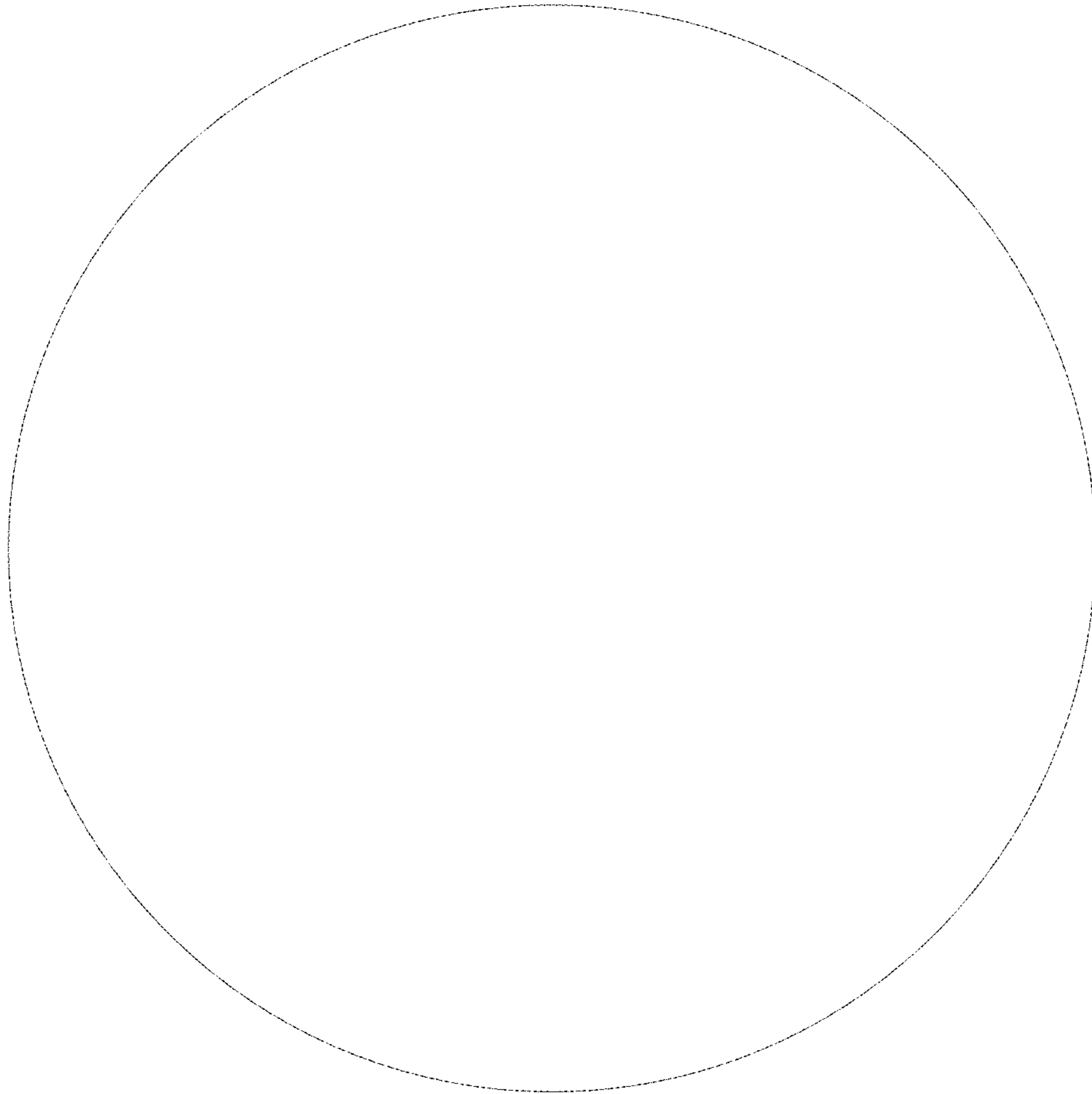


FIG. 6

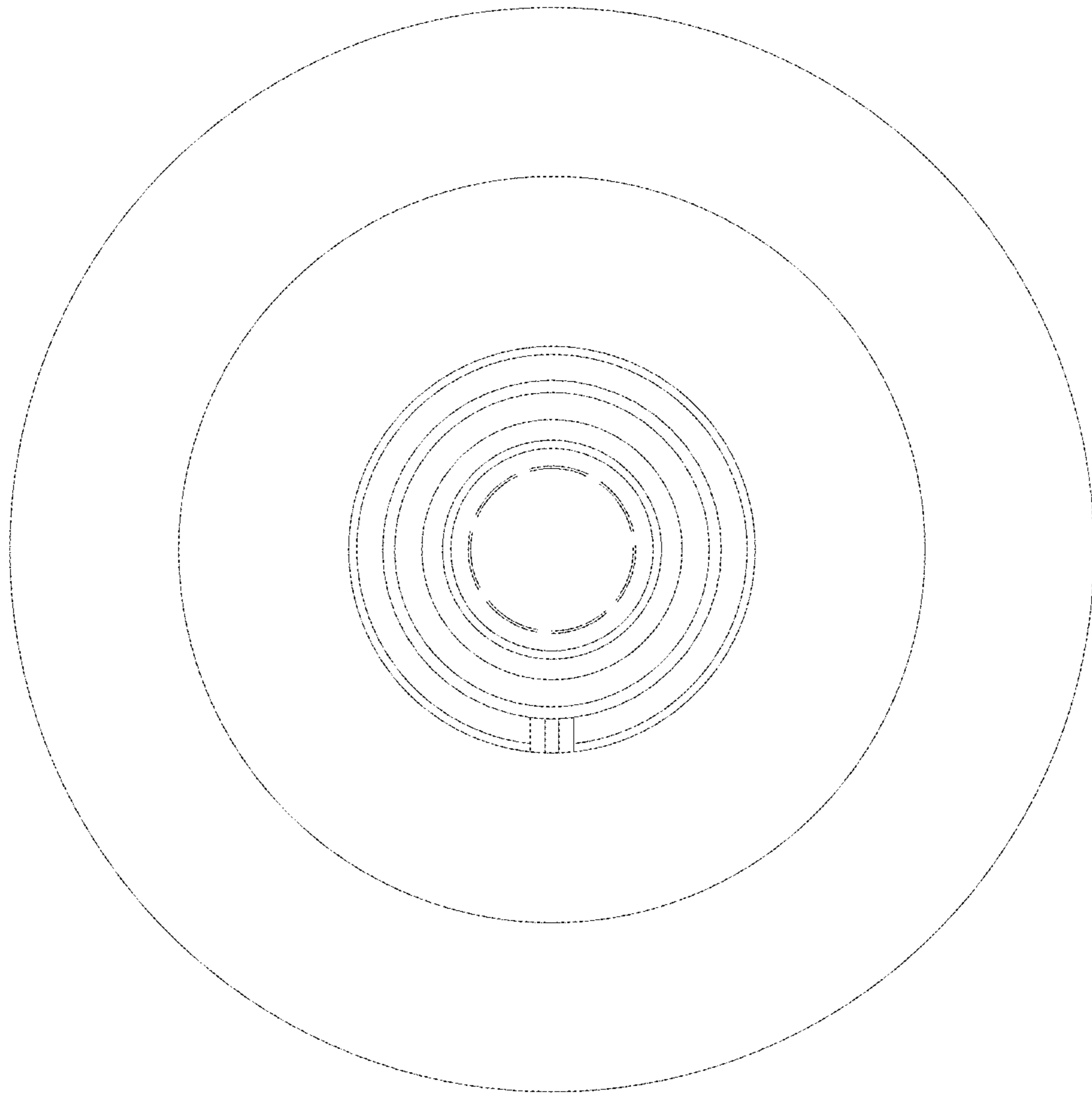


FIG. 7