



US00D975859S

(12) **United States Design Patent**  
**Jiang**

(10) **Patent No.:** **US D975,859 S**  
(45) **Date of Patent:** **\*\* Jan. 17, 2023**

- (54) **VIBRATOR**
- (71) Applicant: **Dongguan Youjie Electronic Co., Ltd.**,  
Dongguan (CN)
- (72) Inventor: **Yongyou Jiang**, Dongguan (CN)
- (73) Assignee: **DONGGUAN YOUJIE ELECTRONIC CO., LTD.**, Dongguan (CN)

(\*\*) Term: **15 Years**  
(21) Appl. No.: **29/754,134**

- (22) Filed: **Oct. 7, 2020**
- (51) **LOC (14) Cl.** ..... **28-03**
- (52) **U.S. Cl.**  
USPC ..... **D24/215**
- (58) **Field of Classification Search**  
USPC ..... D24/215, 200, 211, 212, 213, 214, 133,  
D24/107, 231, 184, 141; D3/207, 203.2,  
D3/203.3; D14/480.5  
CPC ..... A61H 19/00; A61H 19/30; A61H 19/32;  
A61H 19/34; A61H 19/40; A61H 19/44;  
A61H 19/50; A61H 21/00; A61H 23/00;  
A61H 7/00; A61H 7/003; A61H 7/004;  
A61H 9/00; A61H 2205/087

See application file for complete search history.

(56) **References Cited**

**U.S. PATENT DOCUMENTS**

- D426,311 S \* 6/2000 Horowitz ..... D27/101
- D506,550 S \* 6/2005 Greenberg ..... D24/146
- D536,700 S \* 2/2007 Landau ..... D14/480.5
- D547,878 S \* 7/2007 Lai ..... D24/214
- D585,997 S \* 2/2009 Adam ..... D24/107
- D592,313 S \* 5/2009 Levine ..... D24/214
- D606,206 S \* 12/2009 Nan ..... D24/215
- D648,862 S \* 11/2011 Yen ..... D24/215

- D666,732 S \* 9/2012 Caggiano ..... D24/214
- D685,105 S \* 6/2013 Marshall ..... D24/215
- D741,479 S \* 10/2015 Agrawal ..... D24/141
- D821,600 S \* 6/2018 Chang ..... D24/215
- D895,828 S \* 9/2020 Marshall ..... D24/215
- D924,421 S \* 7/2021 Luo ..... D24/215
- 2013/0253386 A1 \* 9/2013 Nan ..... A61H 23/0263  
29/428
- 2020/0155411 A1 \* 5/2020 Lee ..... B06B 1/045

**OTHER PUBLICATIONS**

Screaming O Charged Positive Rechargeable Vibrator. Date: Jan. 27, 2017. [online]. [Site visited Jun. 23, 2022]. Available from Internet URL: <https://www.amazon.co.uk/dp/B01N0VM49X/> (Year: 2017).\*

Rechargeable power bullet. Date: Apr. 15, 2020. [online]. [Site visited Jun. 29, 2022]. Available from Internet URL: [adameve.com/adult-sex-toys/vibrators/bullet-eggs/sp-rechargeable-power-bullet-107445.aspx](http://adameve.com/adult-sex-toys/vibrators/bullet-eggs/sp-rechargeable-power-bullet-107445.aspx) (Year: 2020).\*

(Continued)

*Primary Examiner* — Susan Bennett Hattan  
*Assistant Examiner* — Landon Thomas Cassell  
(74) *Attorney, Agent, or Firm* — Leong C. Lei

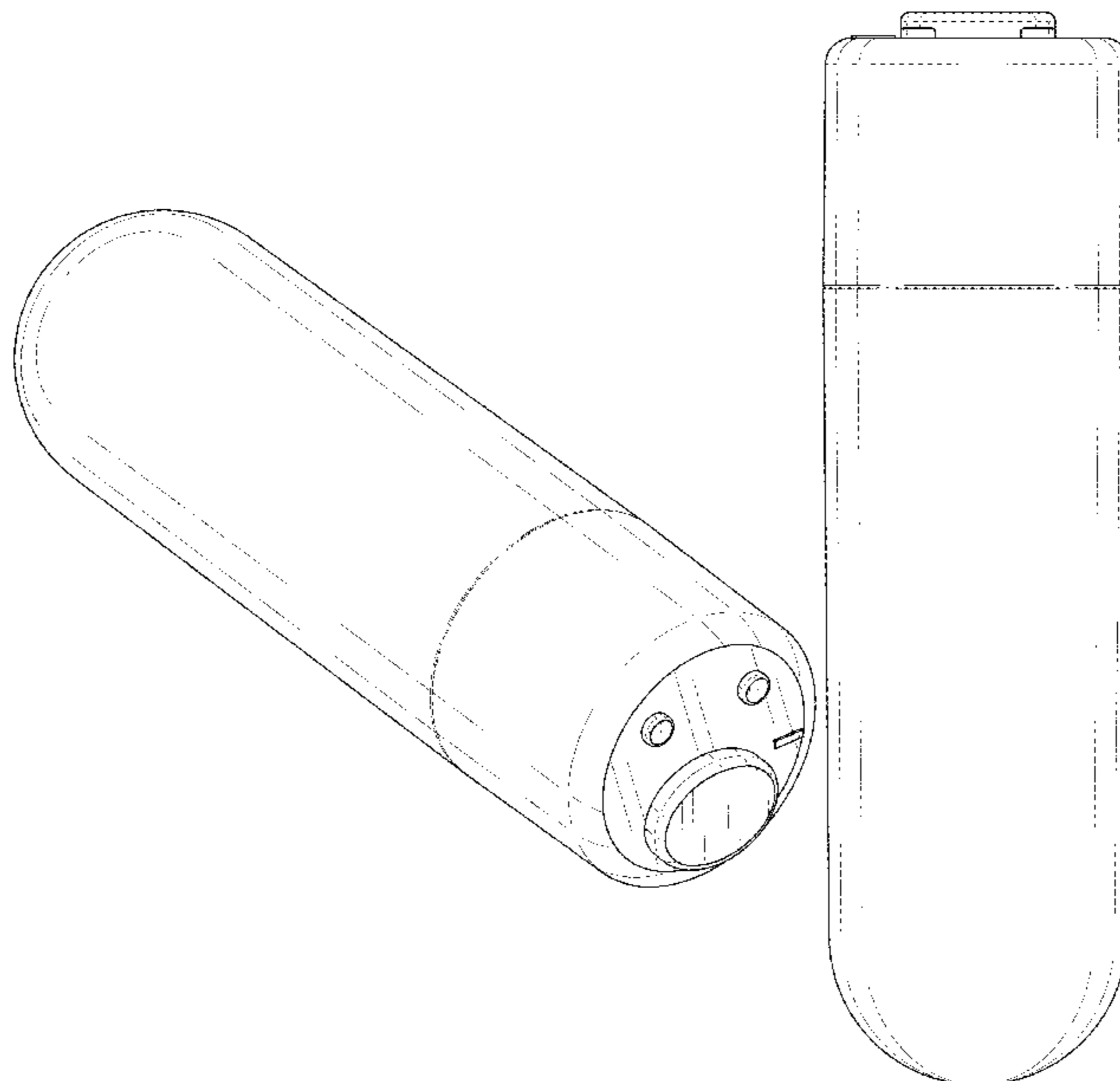
(57) **CLAIM**

The ornamental design for a vibrator, as shown and described.

**DESCRIPTION**

FIG. 1 is a perspective view of a vibrator showing my present design;  
FIG. 2 is a front view thereof;  
FIG. 3 is a rear view thereof;  
FIG. 4 is a left side view thereof;  
FIG. 5 is a right side view thereof;  
FIG. 6 is a top view thereof; and,  
FIG. 7 is a bottom view thereof.

**1 Claim, 7 Drawing Sheets**



(56)

**References Cited**

OTHER PUBLICATIONS

Crystal—high intensity bullet. Date: Jul. 27, 2018. [online]. [Site visited Jun. 29, 2022]. Available from Internet URL: pinkcherry.com/collections/vibrators/products/crystal-high-bullet-2-vibe-in-purple (Year: 2018).\*

Vibrators. (Design—© Questel) orbit.com. [Online PDF compilation of references] 52 pgs. Print Dates Range Apr. 27, 2016-Apr. 6, 2021 [Retrieved Jul. 6, 2022] <https://www.orbit.com/export/UCZAH96B/pdf4/bbafb546-96d9-489d-9b10-e51d4f8fadec-195456.pdf> (Year: 2022).\*

\* cited by examiner

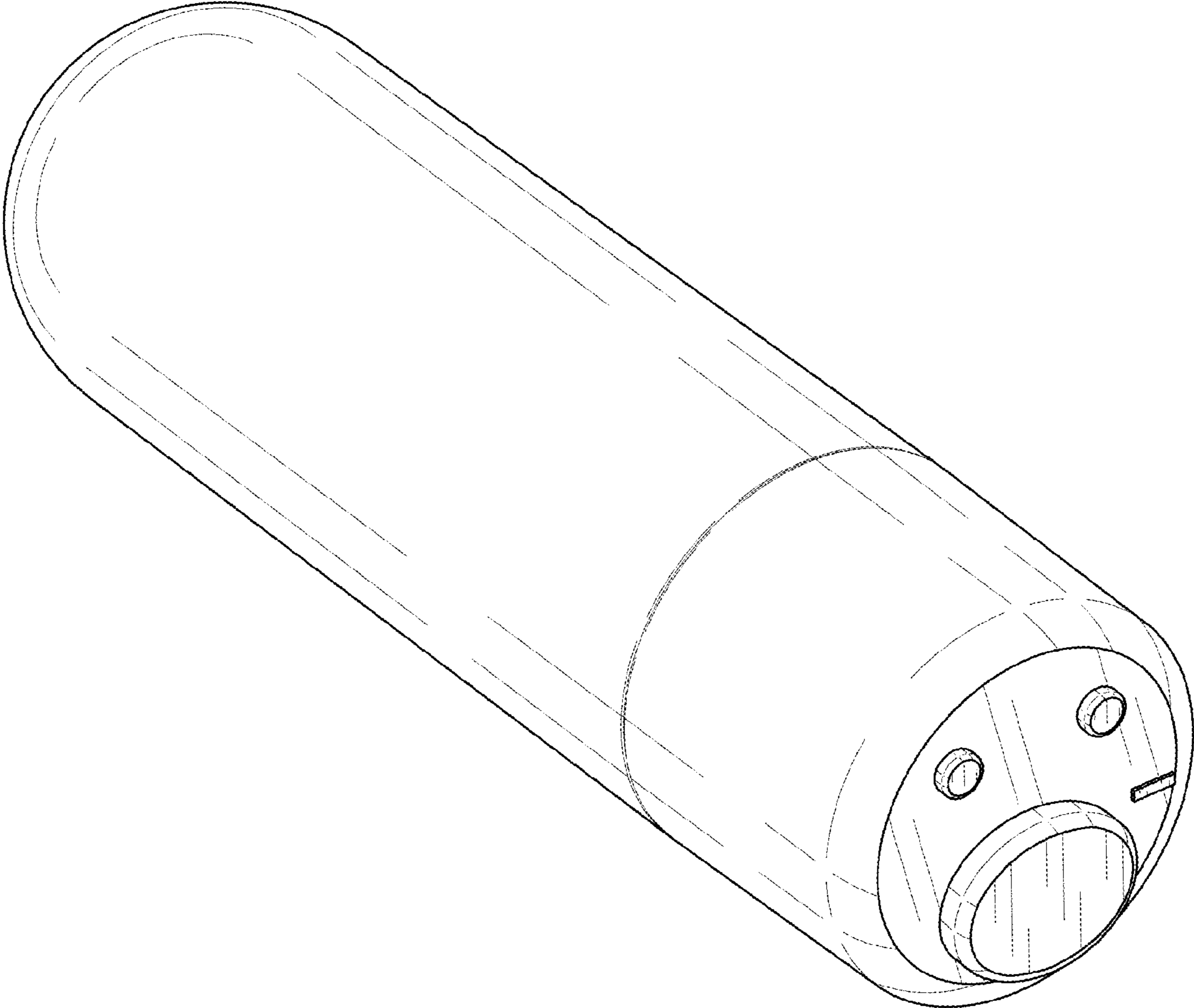
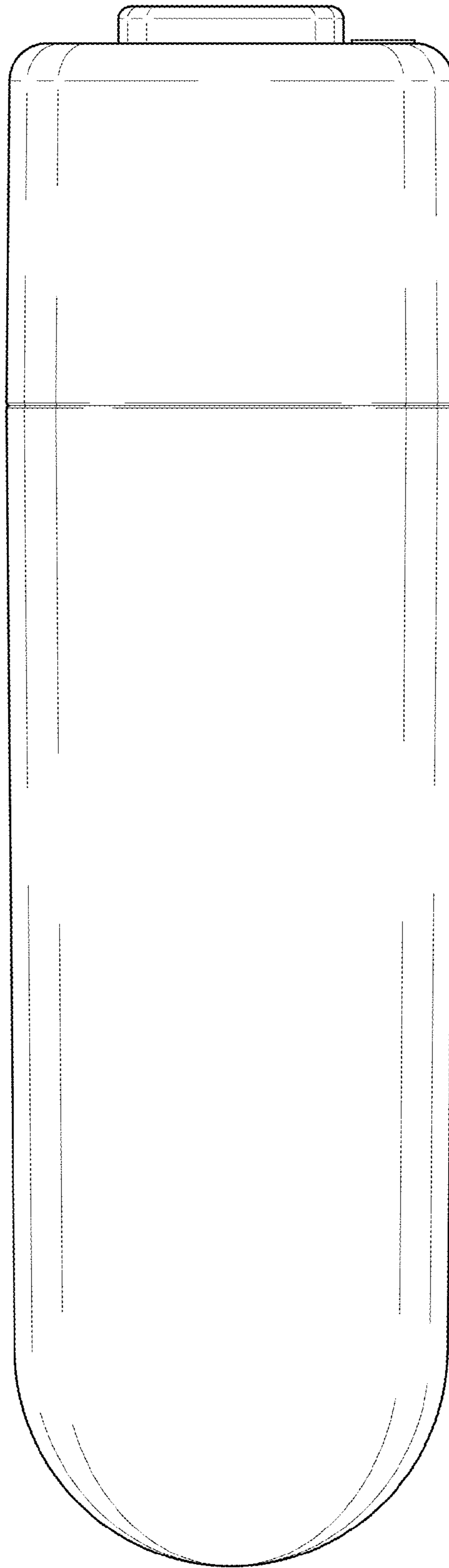
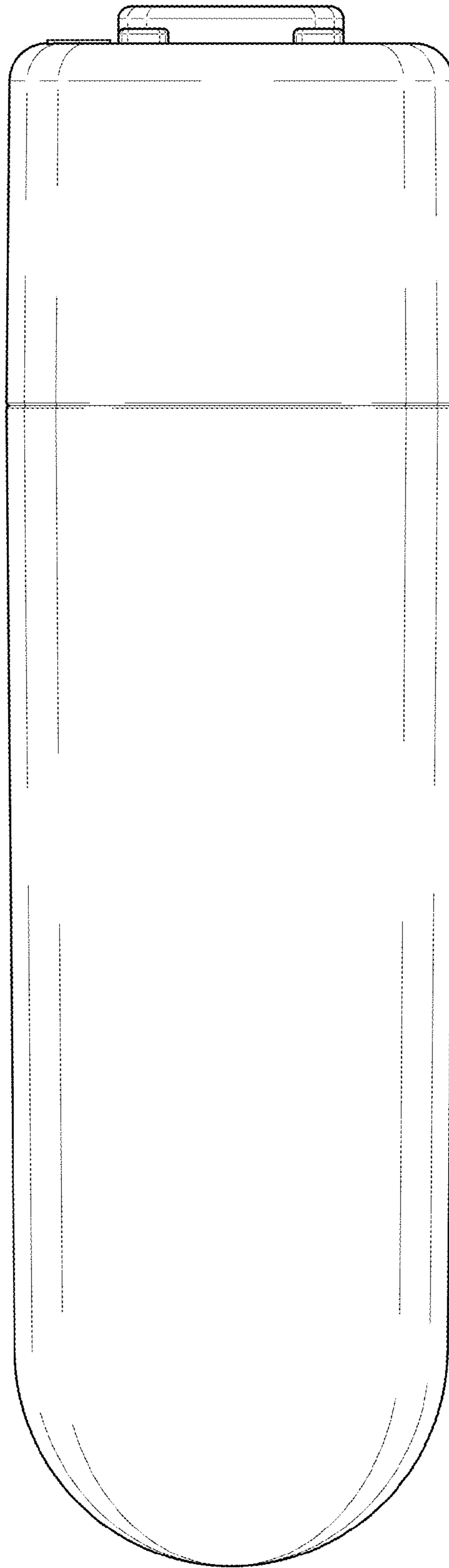


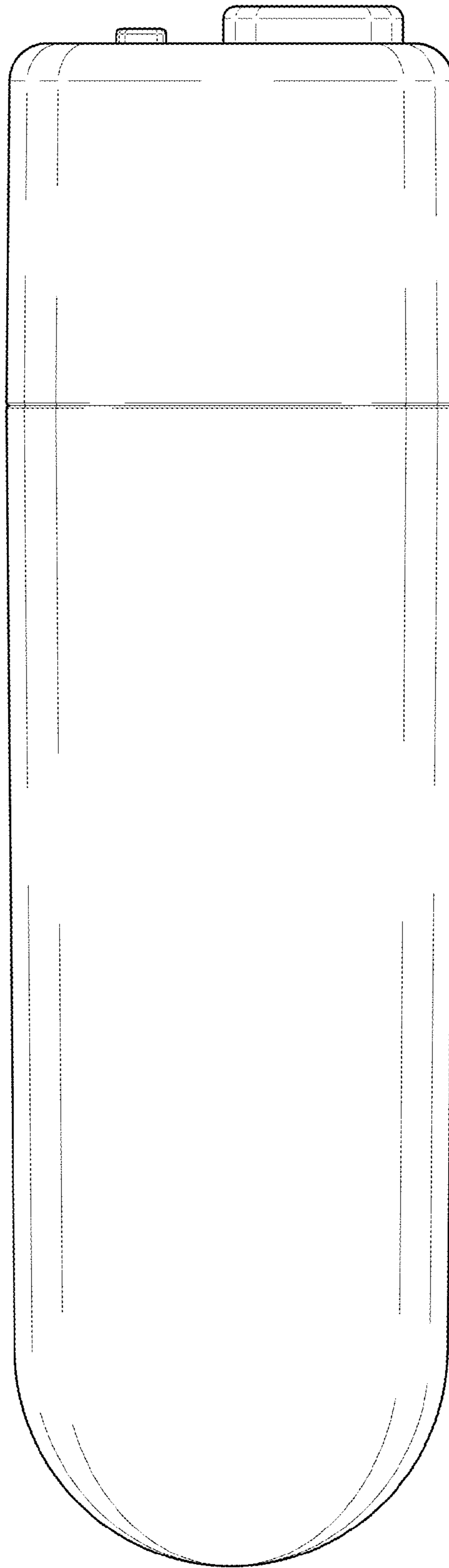
FIG. 1



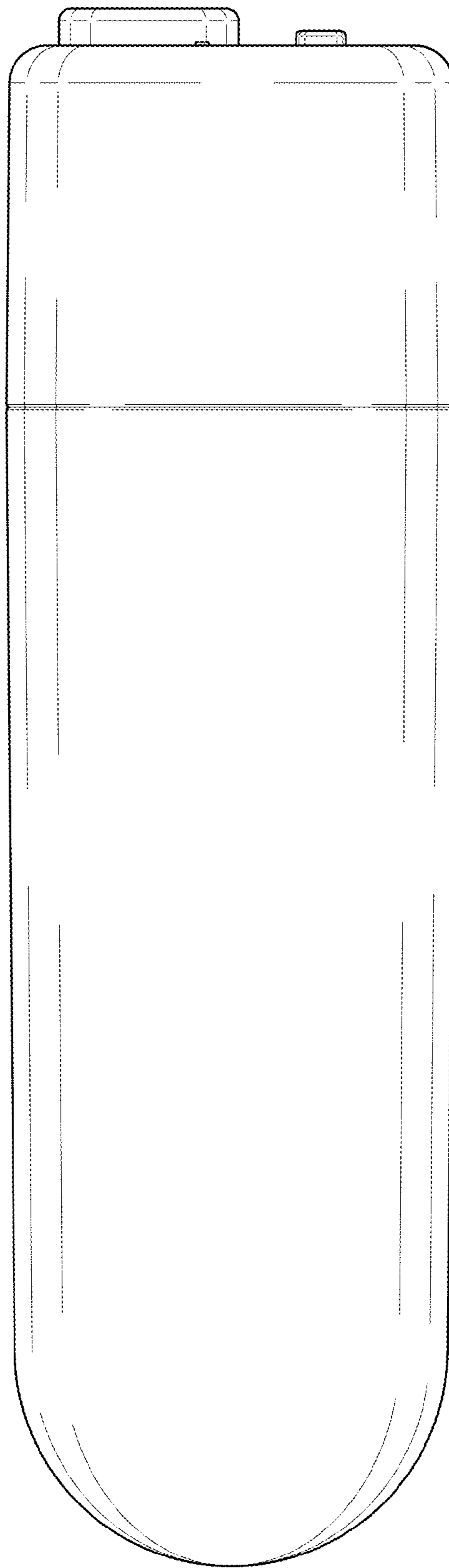
**F I G. 2**



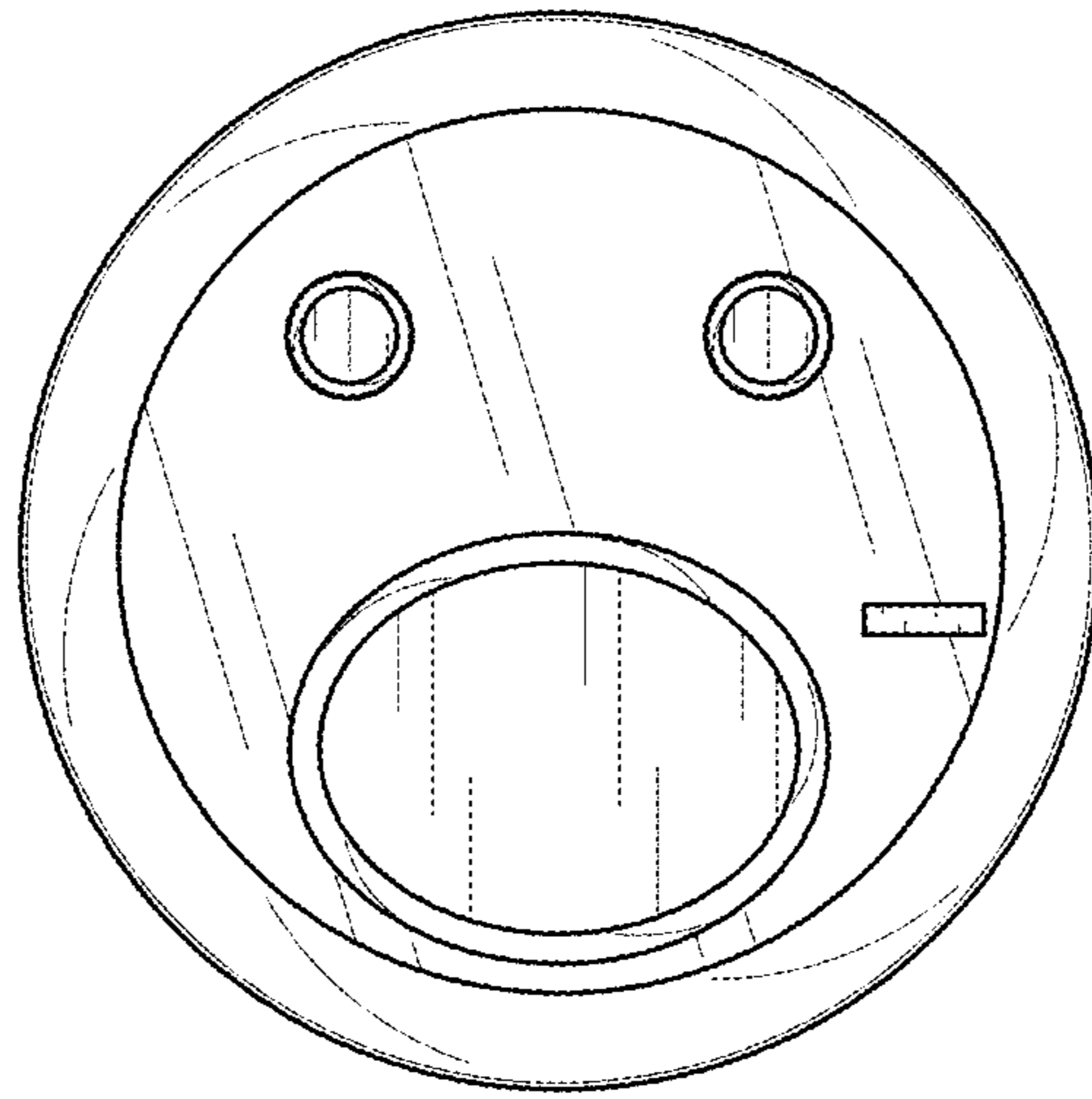
**F I G. 3**



**FIG. 4**

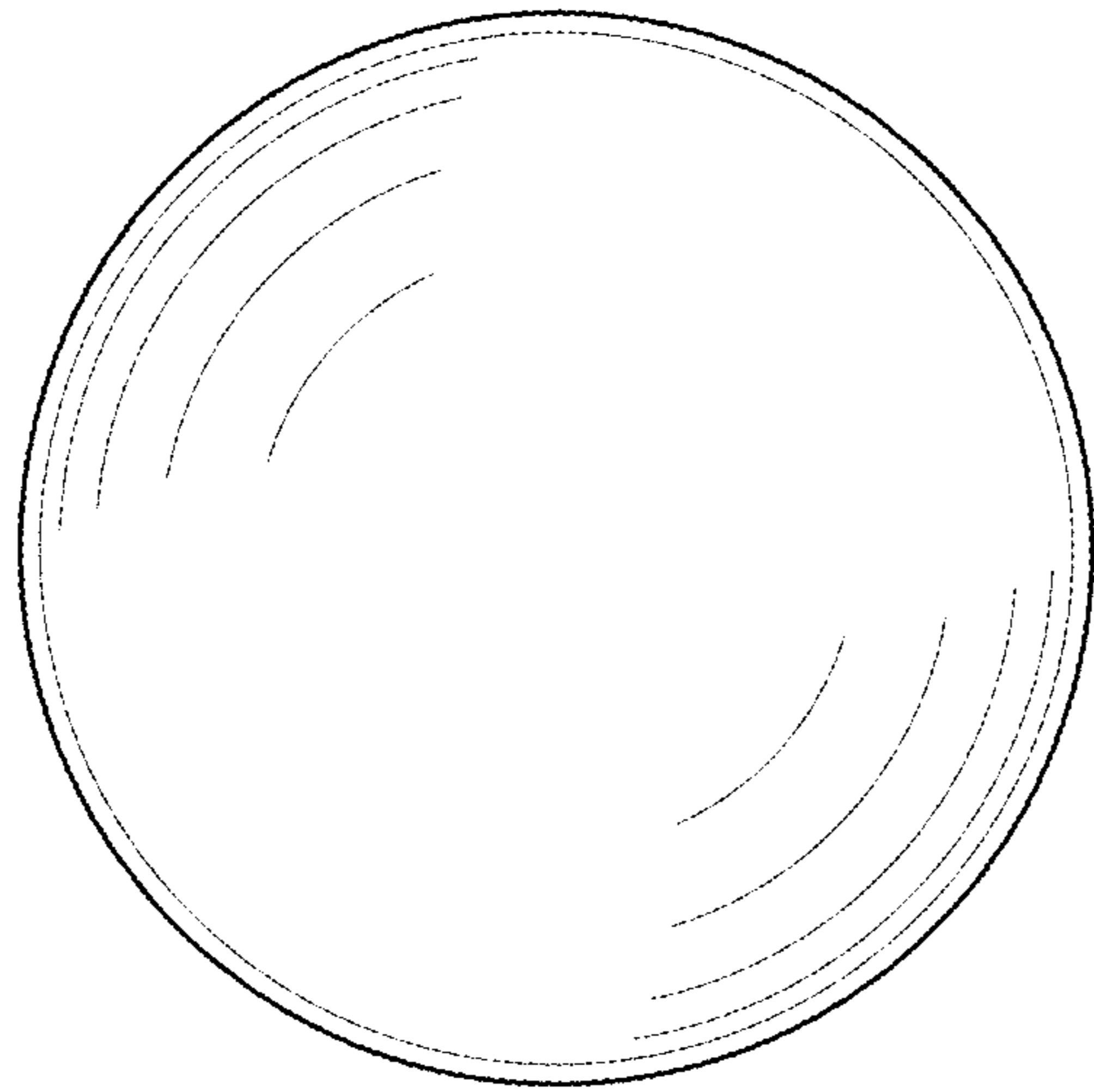


**FIG. 5**



**F I G. 6**





**FIG. 7**