



US00D975857S

(12) **United States Design Patent**
Weisman

(10) **Patent No.:** **US D975,857 S**
(45) **Date of Patent:** **** Jan. 17, 2023**

(54) **ADULT TOY CUSHION**

(71) Applicant: **Nancy Weisman**, East Haven, CT (US)

(72) Inventor: **Nancy Weisman**, East Haven, CT (US)

(**) Term: **15 Years**

(21) Appl. No.: **29/777,127**

(22) Filed: **Apr. 2, 2021**

(51) **LOC (14) Cl.** **24-01**

(52) **U.S. Cl.**
USPC **D24/200; D24/215**

(58) **Field of Classification Search**
USPC D24/200, 214–215

CPC A61H 19/00; A61H 19/30; A61H 19/32;
A61H 19/34; A61H 19/40; A61H 19/44;
A61H 2201/0119; A61H 2201/0134

See application file for complete search history.

(56) **References Cited**

U.S. PATENT DOCUMENTS

| | | | | | |
|--------------|------|---------|--------------|-------|----------------------|
| D347,283 | S * | 5/1994 | Von Winckler | | D24/200 |
| D545,444 | S * | 6/2007 | Cianfrani | | D24/200 |
| D615,662 | S * | 5/2010 | Turner | | D24/200 |
| D633,216 | S * | 2/2011 | Stevens | | D24/215 |
| 9,132,058 | B2 * | 9/2015 | Imboden | | A61H 19/00 |
| D827,853 | S * | 9/2018 | Pounders | | D24/215 |
| D870,903 | S * | 12/2019 | Weisman | | D24/200 |
| D898,211 | S * | 10/2020 | Lampert | | D24/215 |
| D928,337 | S * | 8/2021 | Mollohan | | D24/215 |
| 2015/0351999 | A1 * | 12/2015 | Brouse | | A61H 19/34 601/74 |
| 2017/0027811 | A1 * | 2/2017 | Thomas | | A61H 19/44 |
| 2019/0045932 | A1 * | 2/2019 | Turner | | A61H 19/44 |

OTHER PUBLICATIONS

Honeybunch by Banana Pants has a Contoured Mound of Round, Plump, protruding nubs to rub and The Option for a Bullet Vibe Should You Want a Little Buzz (Yellow). Retrieved on Oct. 25, 2022. Retrieved from Internet: <<https://www.amazon.com/Honeybunch-Banana-Pants-Contoured-protruding/dp/B0B7KBVN53?th=1>>. Date first available Jul. 26, 2022.*

* cited by examiner

Primary Examiner — Wan Laymon

(74) *Attorney, Agent, or Firm* — Nicholas R. Lewis, P.A.

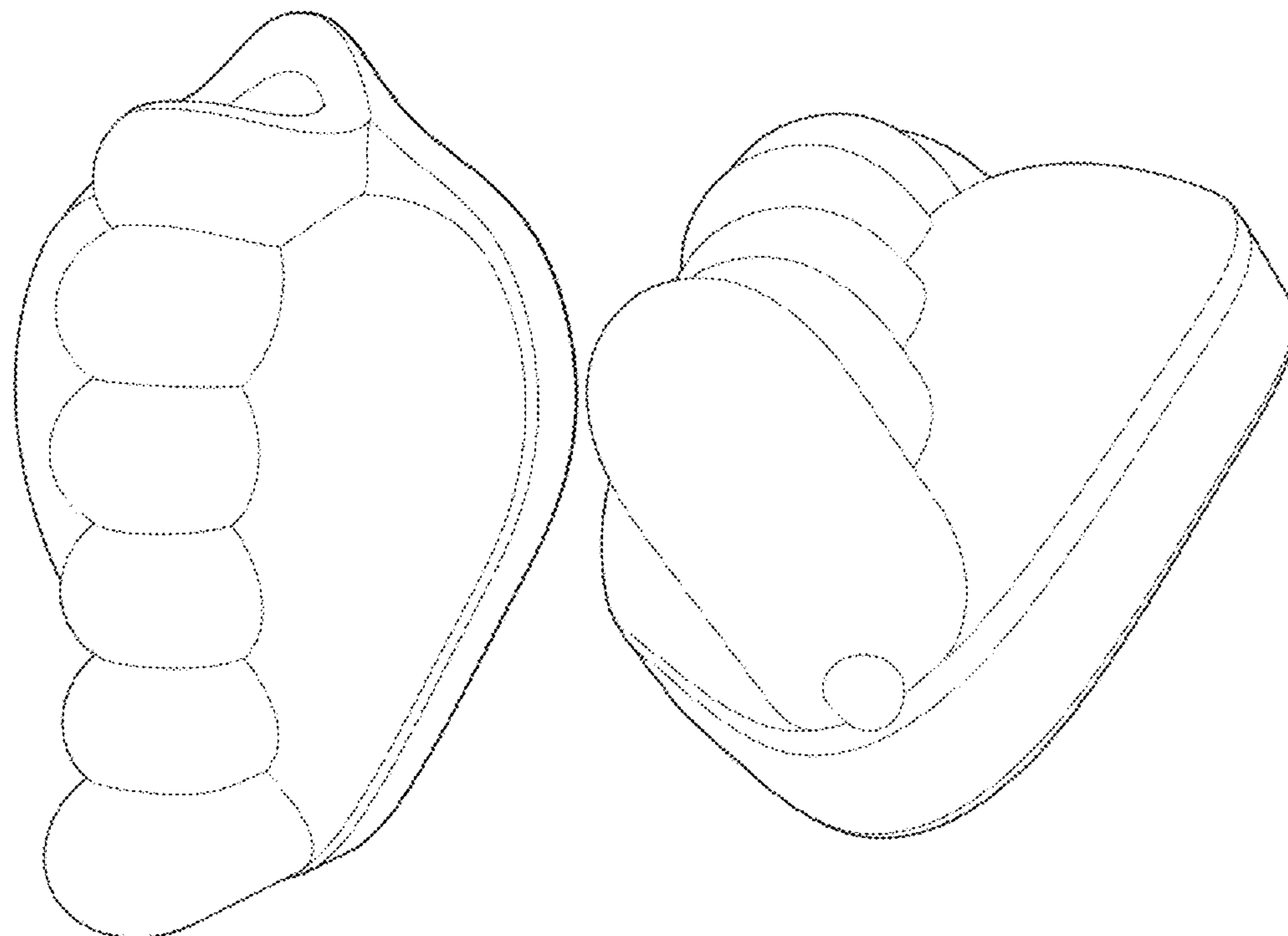
(57) **CLAIM**

The ornamental design for an adult toy cushion, as shown and described.

DESCRIPTION

FIG. 1 is a front perspective view of an example of the adult toy cushion;
FIG. 2 is a rear perspective view thereof;
FIG. 3 is a top perspective view thereof;
FIG. 4 is a bottom perspective view thereof;
FIG. 5 is a front view thereof;
FIG. 6 is a side view thereof;
FIG. 7 is a rear view thereof;
FIG. 8 is a top view thereof; and,
FIG. 9 is a bottom view thereof.

1 Claim, 8 Drawing Sheets



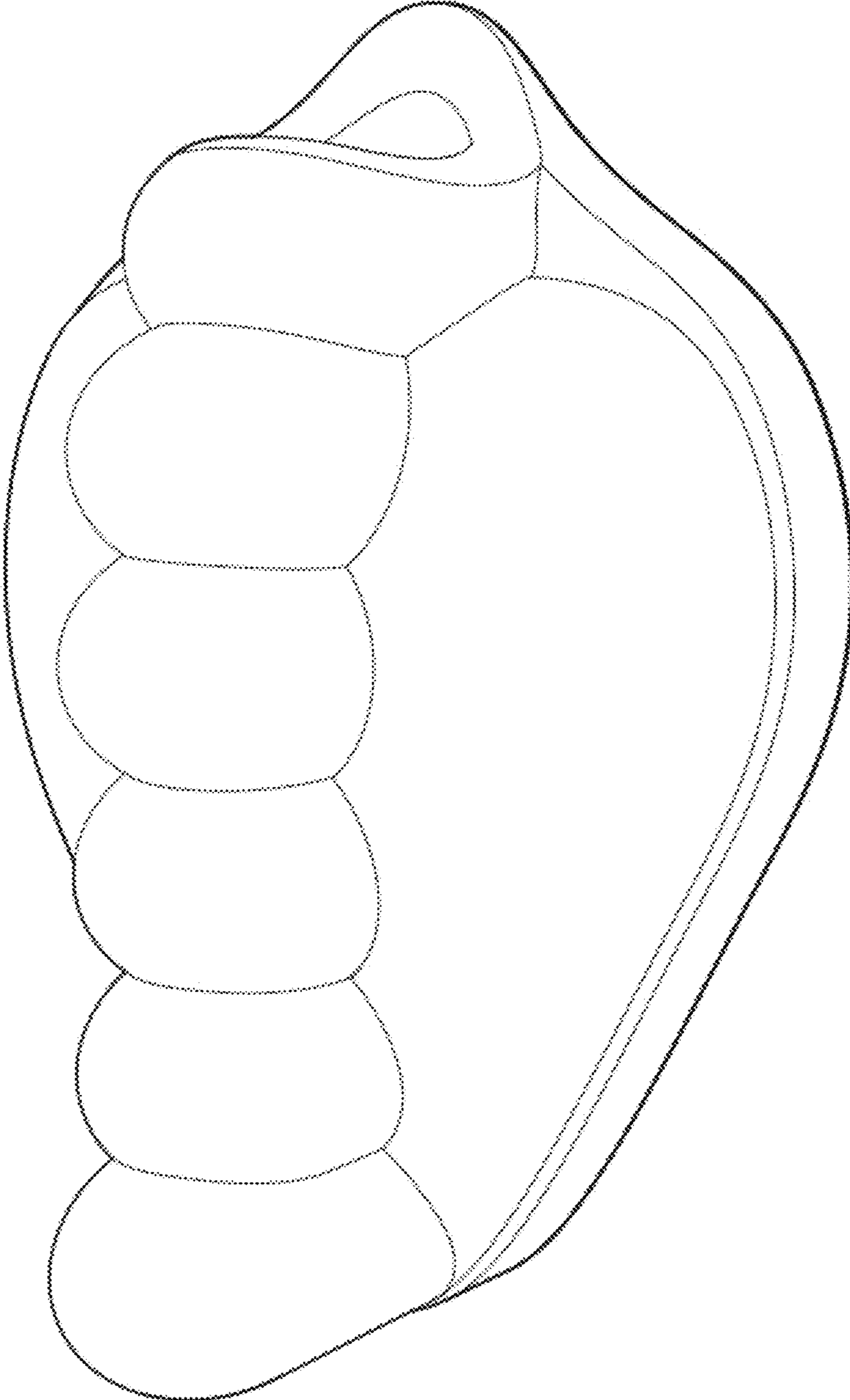


FIG. 1



FIG. 2

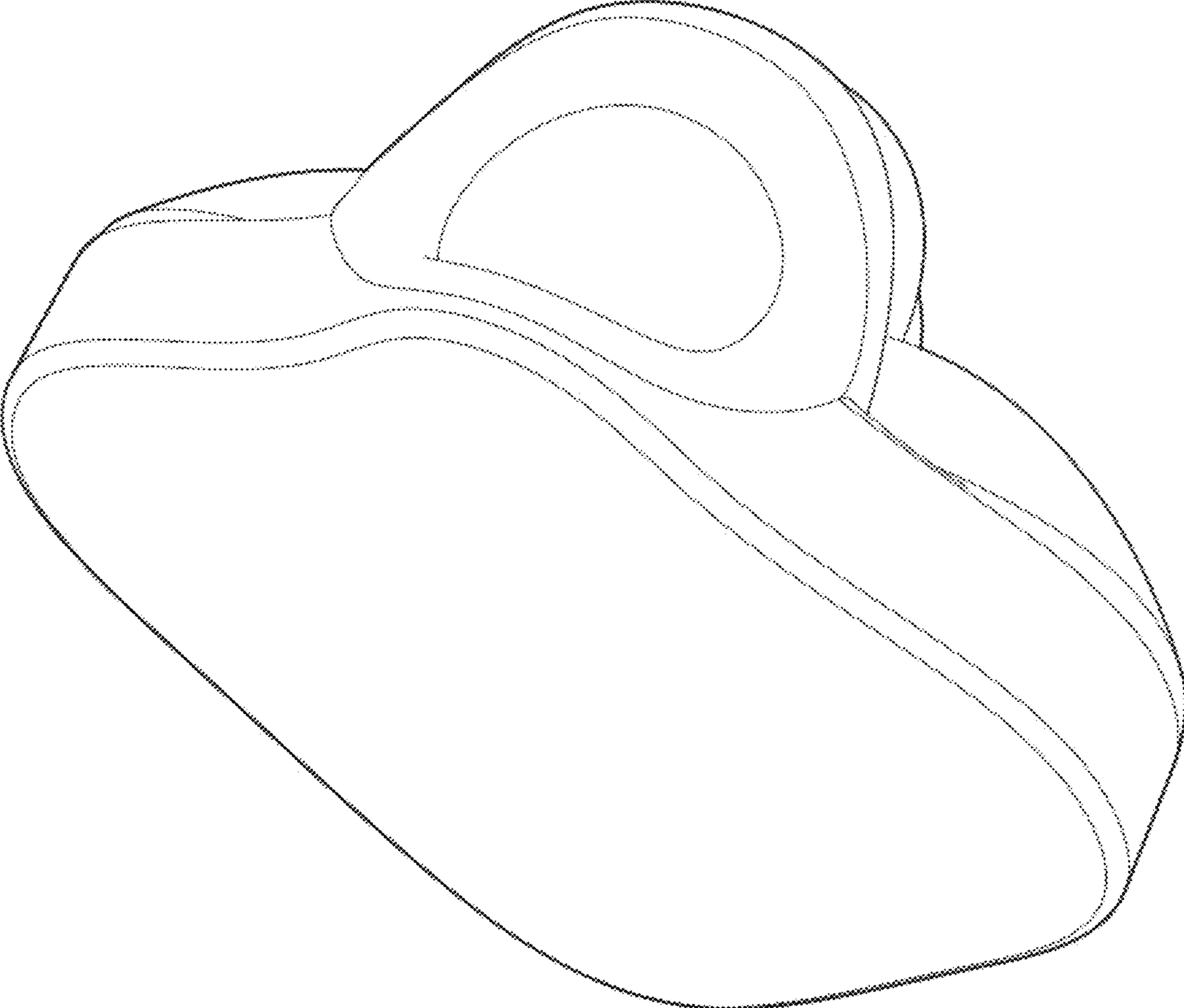


FIG. 3

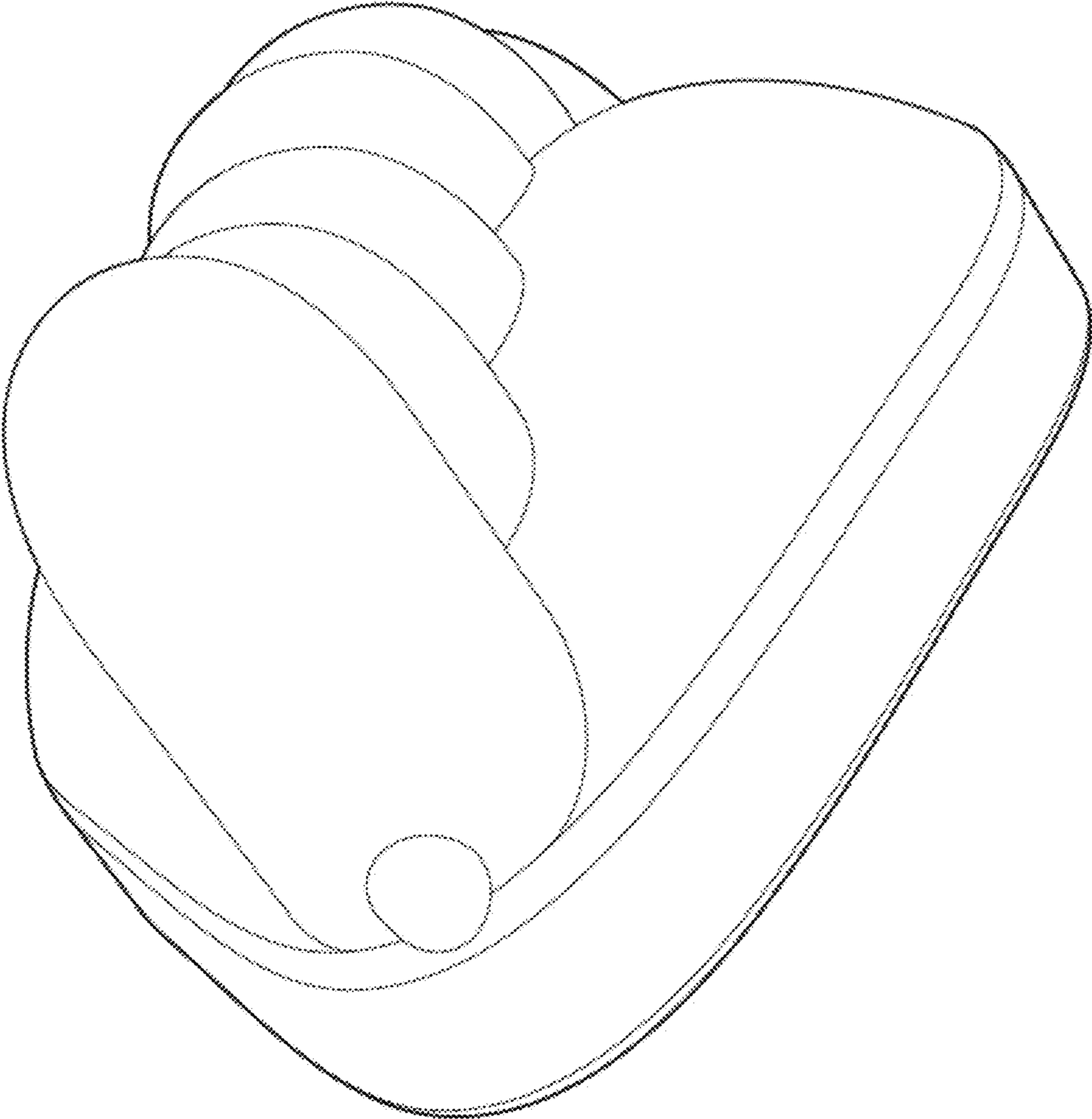


FIG. 4

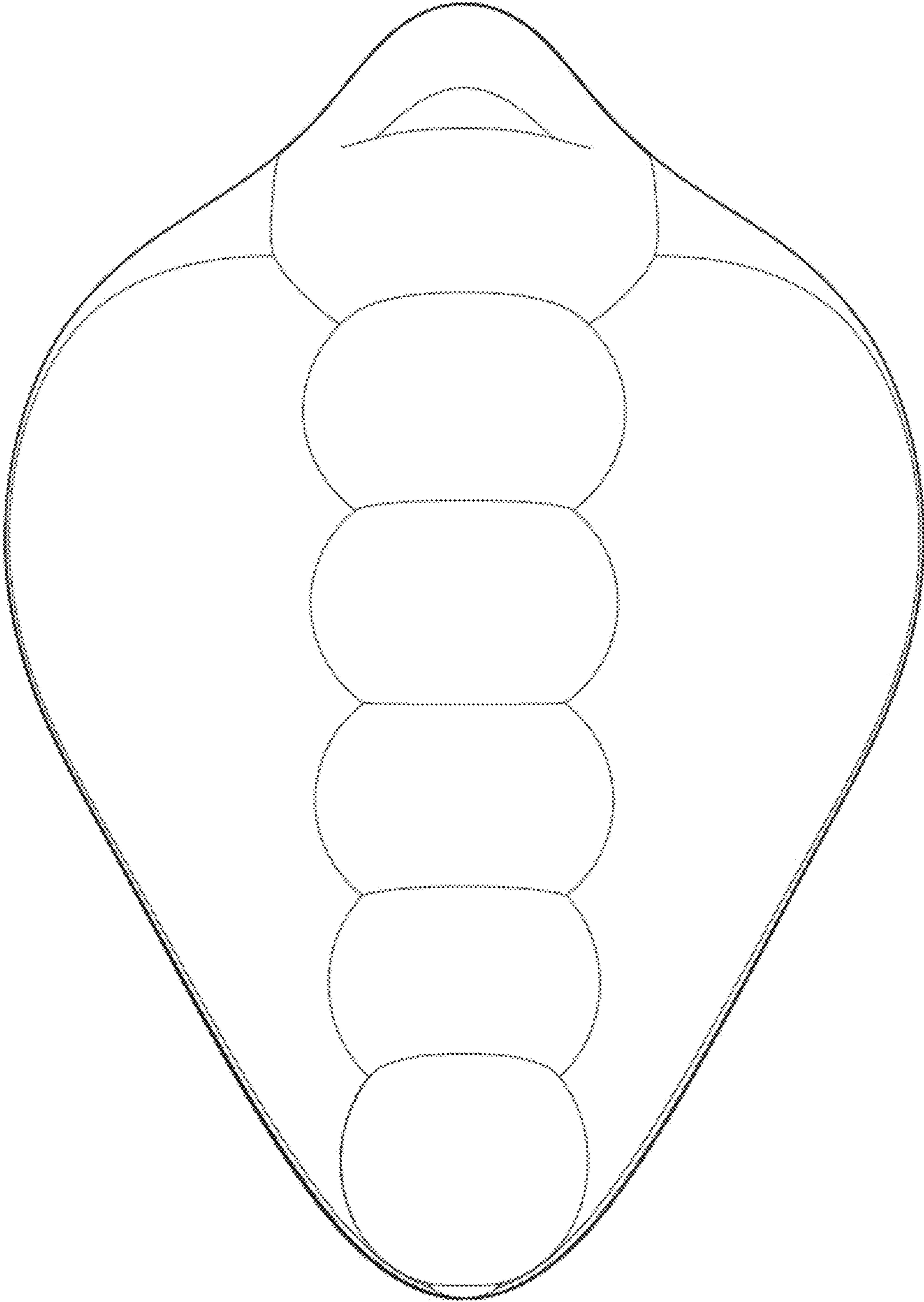


FIG. 5

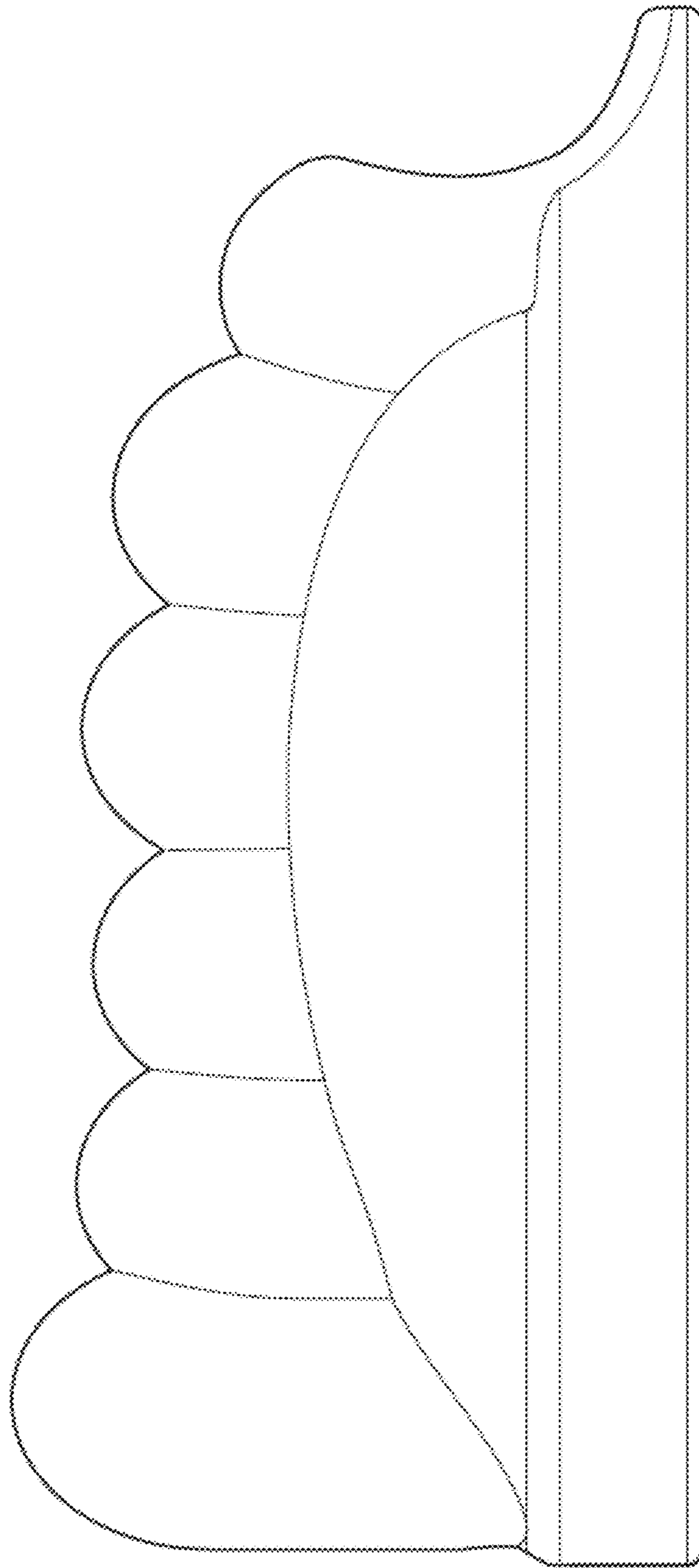


FIG. 6

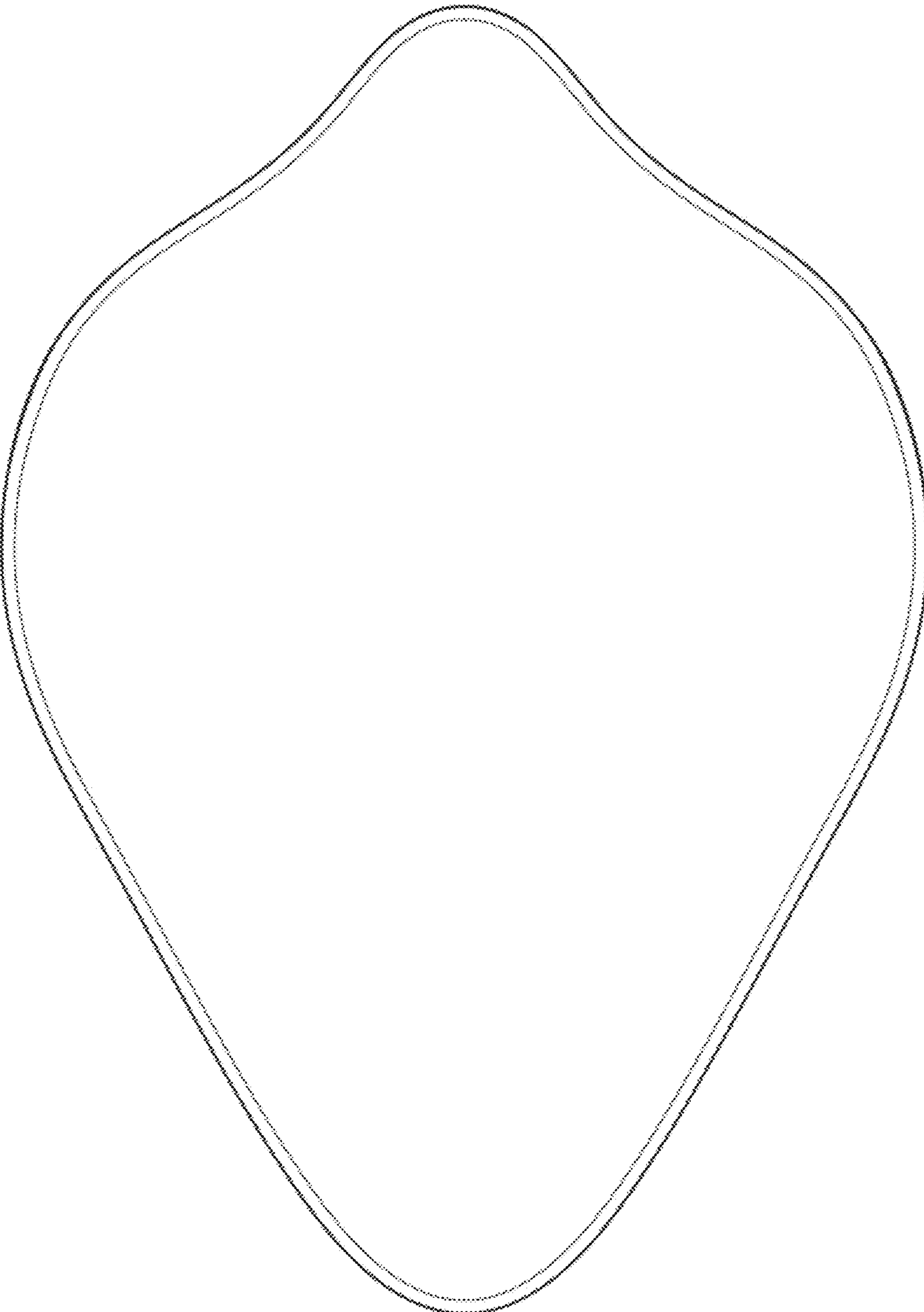


FIG. 7

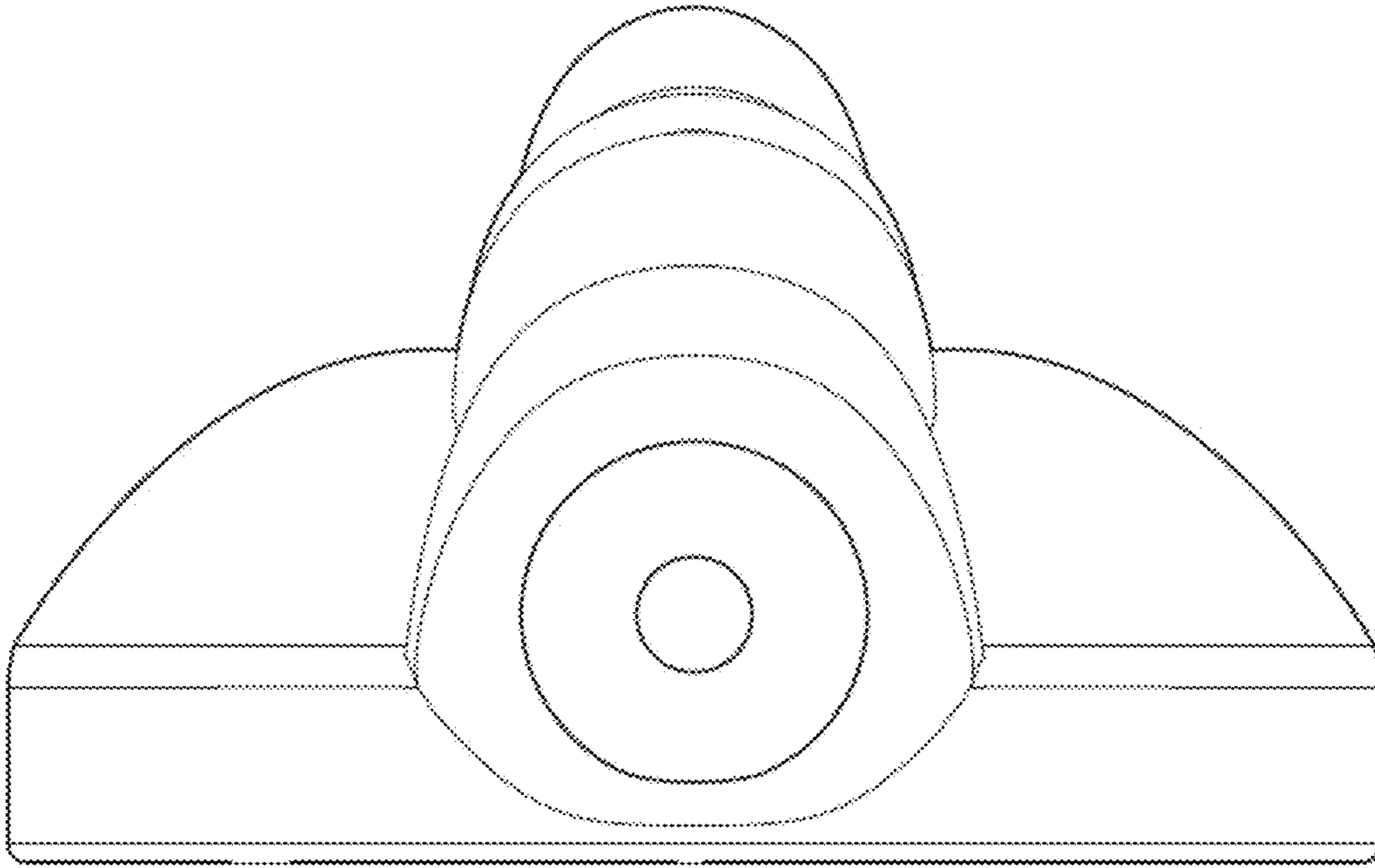


FIG. 8

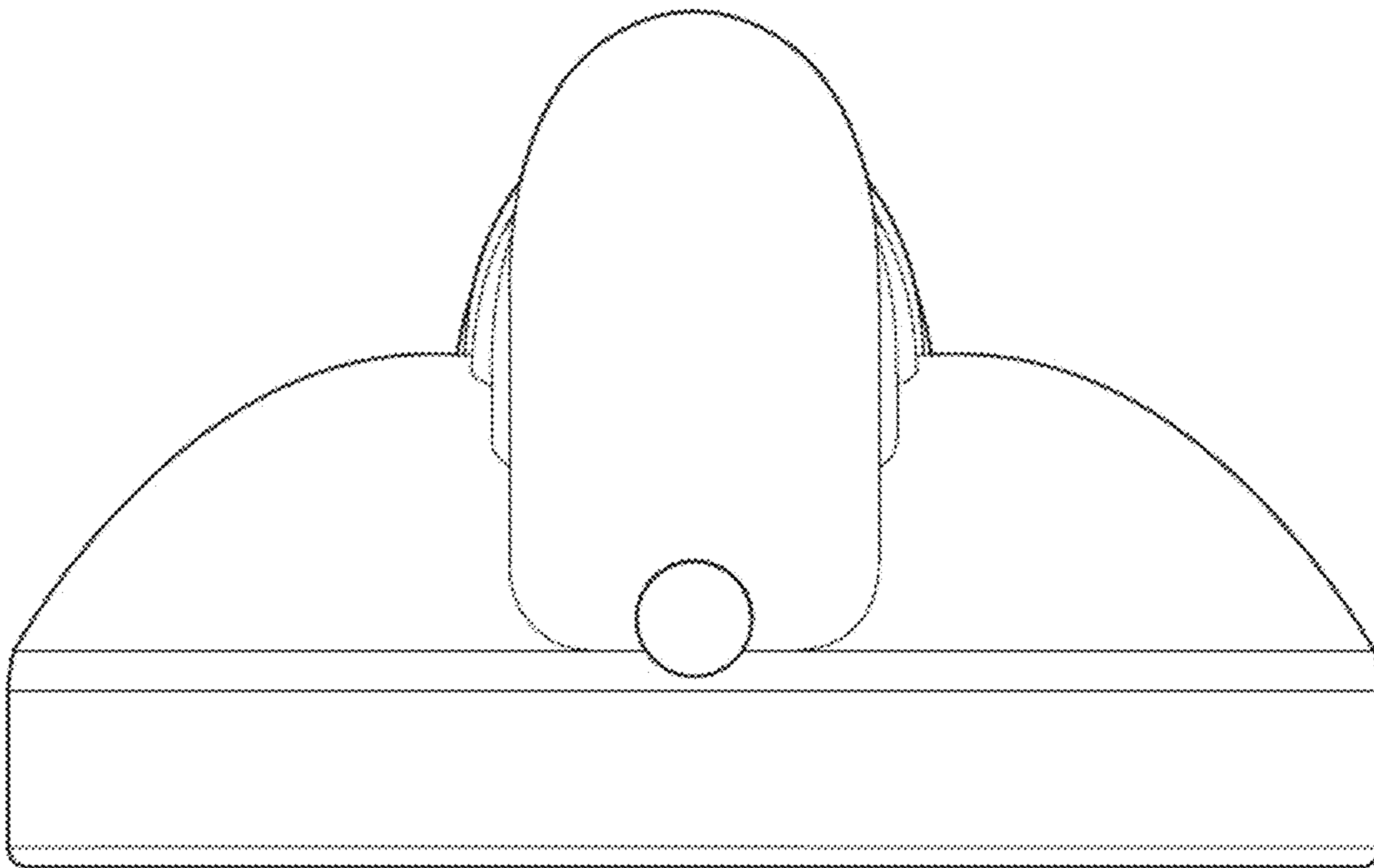


FIG. 9