



US00D975856S

(12) **United States Design Patent** (10) **Patent No.:** **US D975,856 S**
Kersen et al. (45) **Date of Patent:** **** Jan. 17, 2023**

(54) **ADJUSTABLE LOOP CUSTOMIZABLE TOE CREST**
(71) Applicants: **Lawrence Kersen**, Boonton, NJ (US); **Marty Vogel**, Flushing, NY (US)
(72) Inventors: **Lawrence Kersen**, Boonton, NJ (US); **Marty Vogel**, Flushing, NY (US)
(73) Assignee: **Poly-Gel L.L.C.**, Whippany, NJ (US)
(**) Term: **15 Years**
(21) Appl. No.: **29/752,868**
(22) Filed: **Sep. 29, 2020**
(51) **LOC (14) Cl.** **24-02**
(52) **U.S. Cl.**
USPC **D24/192**
(58) **Field of Classification Search**
USPC D24/188-192, 200, 206, 214, 215
CPC A61F 13/00021; A61F 13/0203; A61F 13/066
See application file for complete search history.

(56) **References Cited**
U.S. PATENT DOCUMENTS
2,163,012 A * 6/1939 Schenk A61F 13/063 63/15
3,049,120 A * 8/1962 Marcus A61F 5/019 602/30
9,066,790 B1 * 6/2015 Fisher A61F 5/019
D734,547 S * 7/2015 Nadjarian D28/57
D922,590 S * 6/2021 Kersen D24/192
D931,475 S * 9/2021 Kersen D24/192
D938,599 S * 12/2021 Kersen D24/192
D938,600 S * 12/2021 Kersen D24/192

OTHER PUBLICATIONS
PediFix Hammer Toe, posted at amazon.com, first available Dec. 13, 2010, retrieved Aug. 9, 2022, online, URL: <https://www.amazon.com/PediFix-Hammer-Toe>

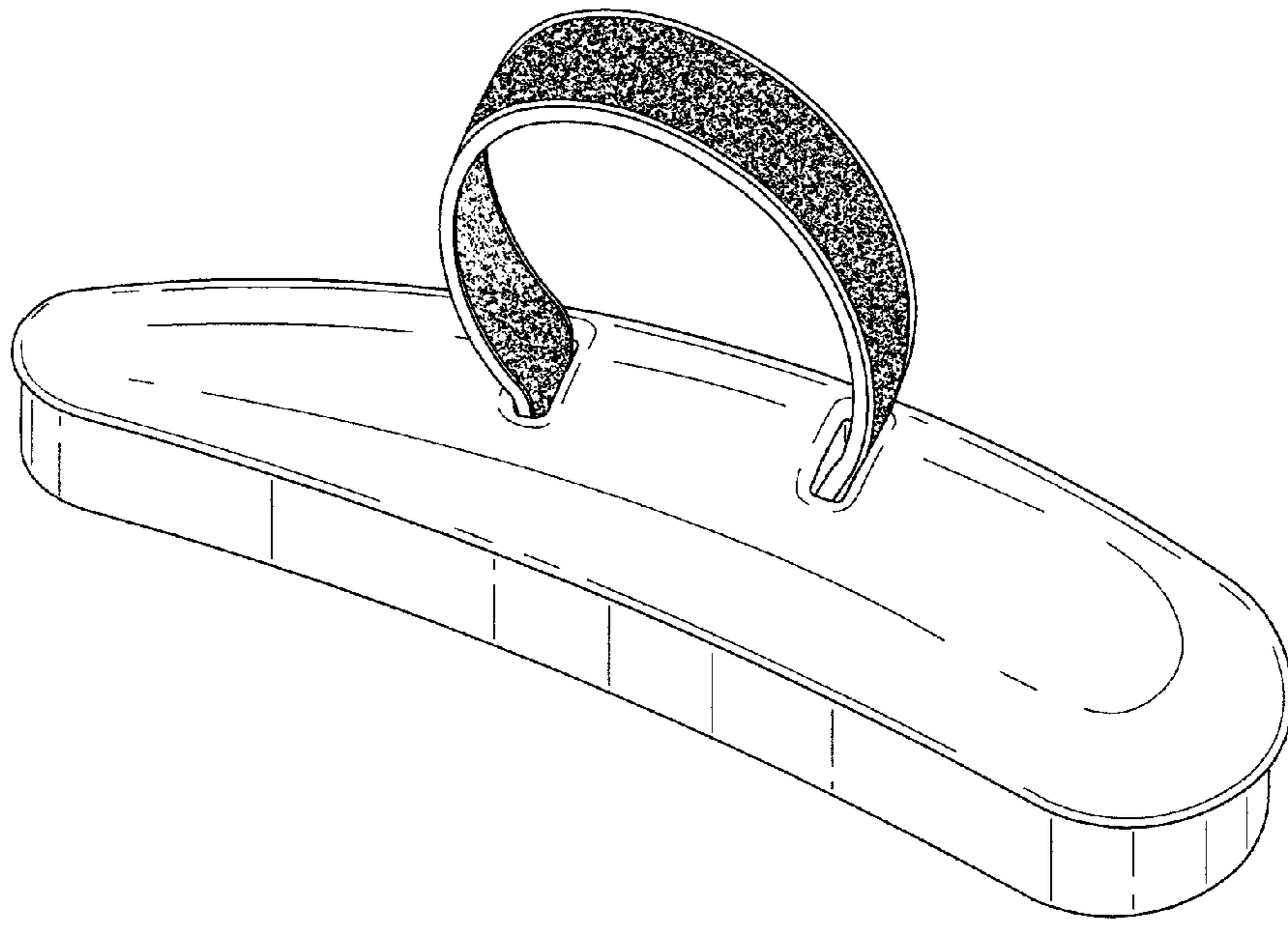
com/PediFix-Hammer-Cushion-Large-Right/dp/B004G8L2SQ/ref=asc_df_B004G8L2SQ/?tag=hyprod-20&linkCode=df0&hvadid%E2%80%A6 (Year: 2010).*
PediFix Hammer Toe Crest Bottom, posted at amazon.com, first available Dec. 5, 2019, retrieved Aug. 9, 2022, online, URL: https://www.amazon.ca/PediFix-Hammer-Crest-Suede-Small/dp/B0015TD9EO/ref=cm_cr_ar_p_d_bdcrb_top?ie=UTF8 (Year: 2019).*
Dr Jills Adjustable Cushion, posted at amazon.com, first available Nov. 20, 2013, retrieved Aug. 9, 2022, online, URL: <https://www.badbacks.com.au/dr-jill-s-adjustable-hammertoe-cushion-right-foot> (Year: 2013).*

* cited by examiner
Primary Examiner — Sheryl Lane
Assistant Examiner — Michelle Marquart Christeon
(74) *Attorney, Agent, or Firm* — Edwin D. Schindler

(57) **CLAIM**
The ornamental design for an adjustable loop customizable toe crest, as shown and described.

DESCRIPTION
FIG. 1 is a front top perspective view of the present design for an adjustable loop customizable toe crest;
FIG. 2 is a left side view of the adjustable loop customizable toe crest of the design of FIG. 1;
FIG. 3 is a right side view of the adjustable loop customizable toe crest of the design of FIG. 1;
FIG. 4 is a top view of the adjustable loop customizable toe crest of the design of FIG. 1;
FIG. 5 is a bottom view of the adjustable loop customizable toe crest of the design of FIG. 1;
FIG. 6 is a front view of the adjustable loop customizable toe crest of the design of FIG. 1; and,
FIG. 7 is a back view of the adjustable loop customizable toe crest of the design of FIG. 1.

1 Claim, 3 Drawing Sheets



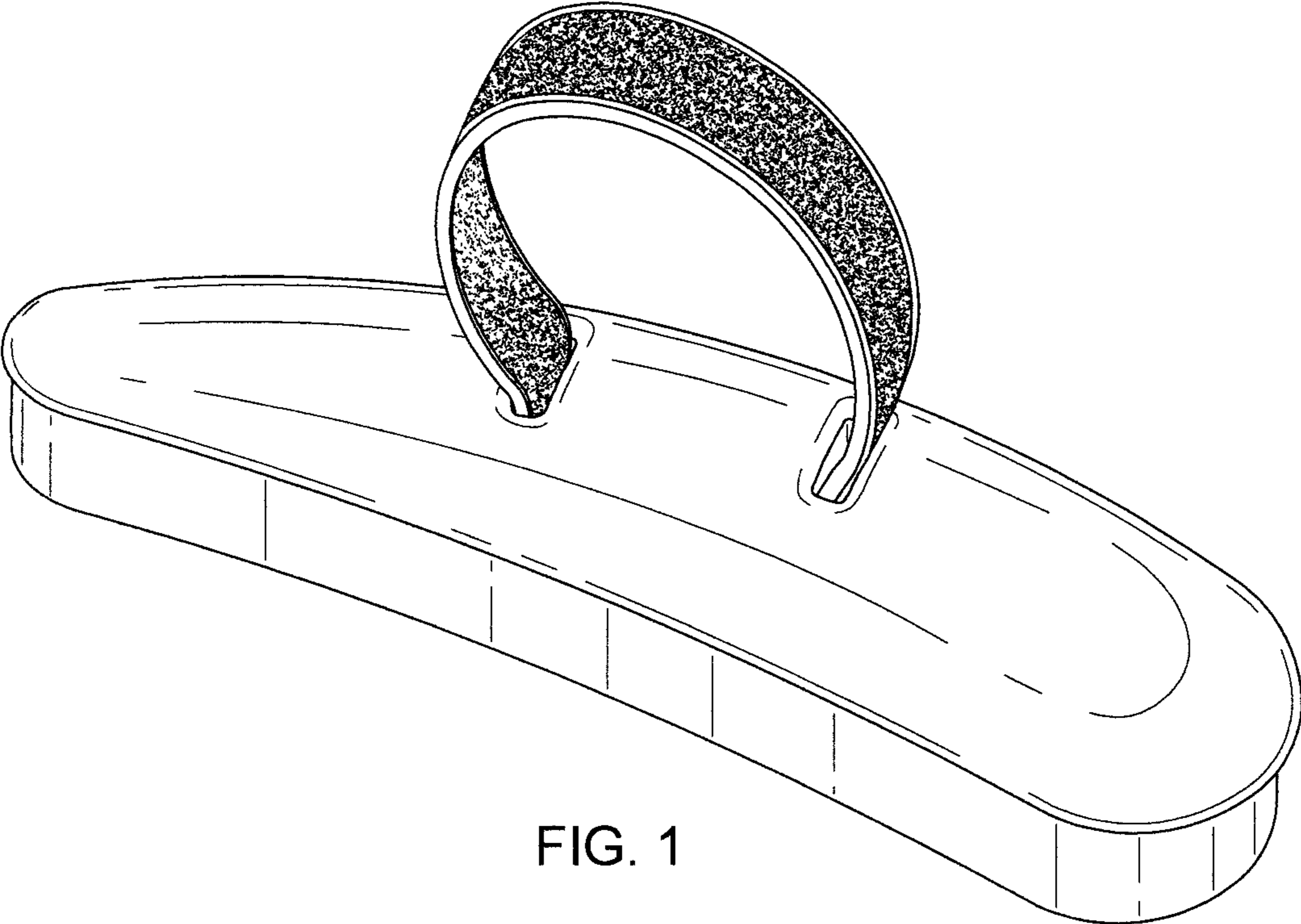


FIG. 1

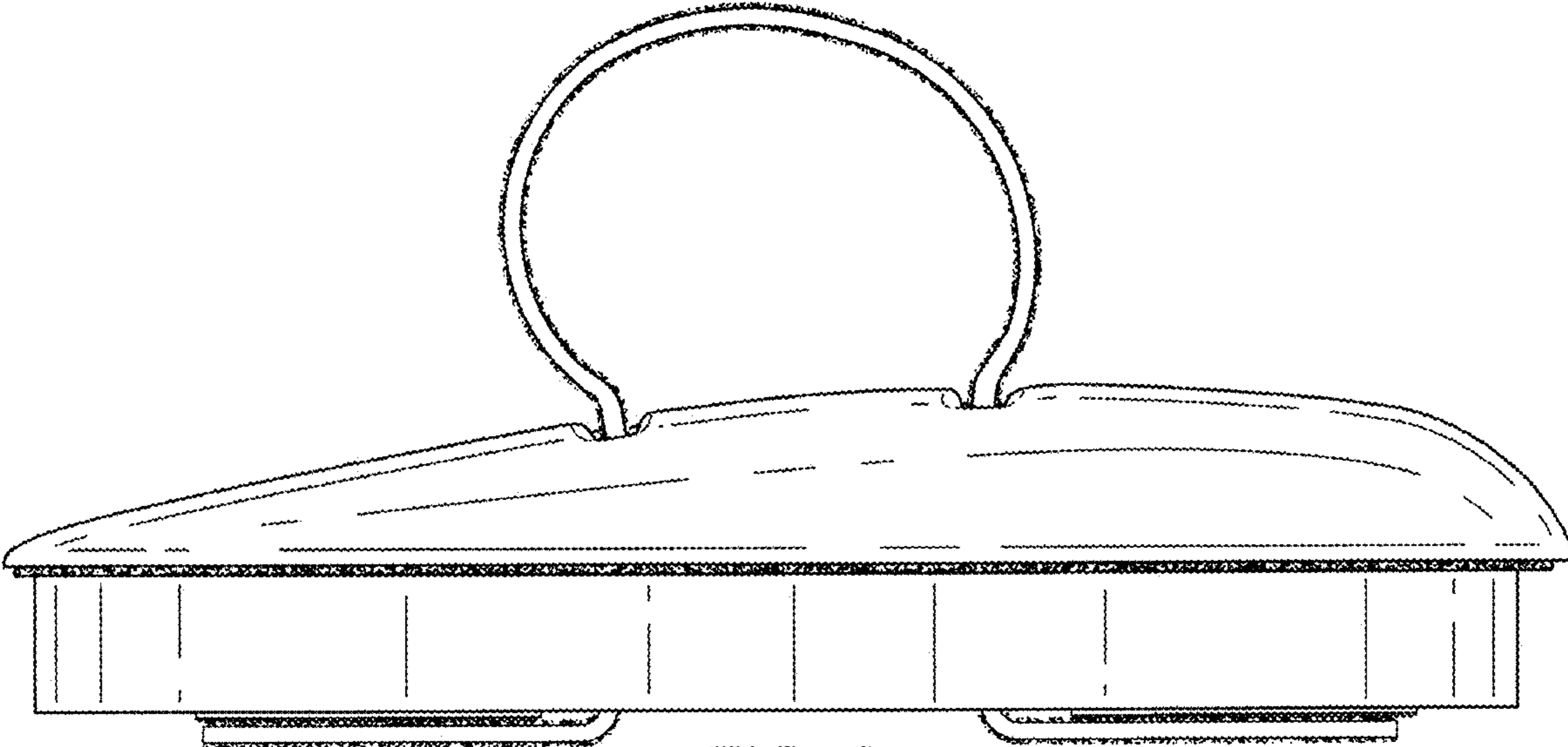


FIG. 2

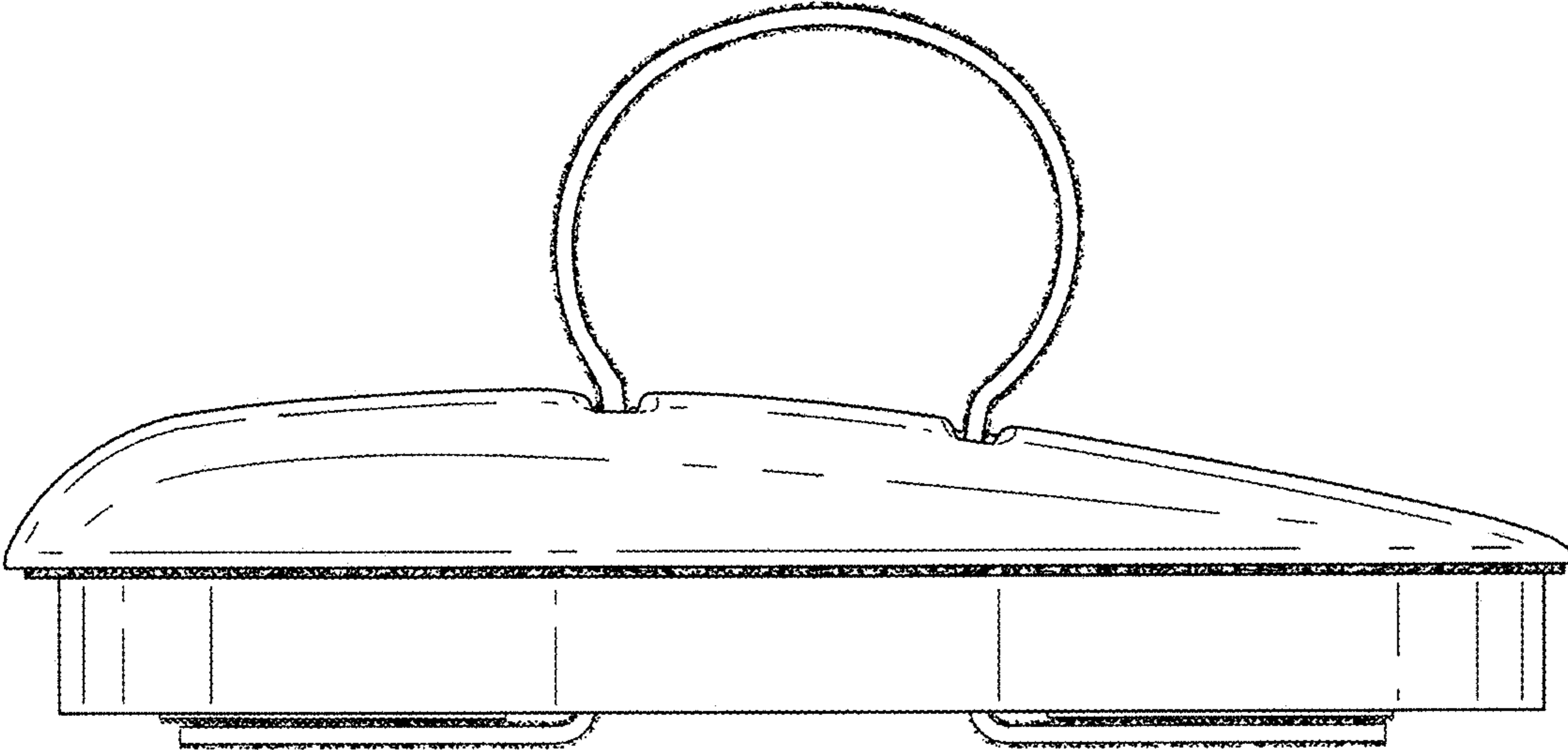


FIG. 3

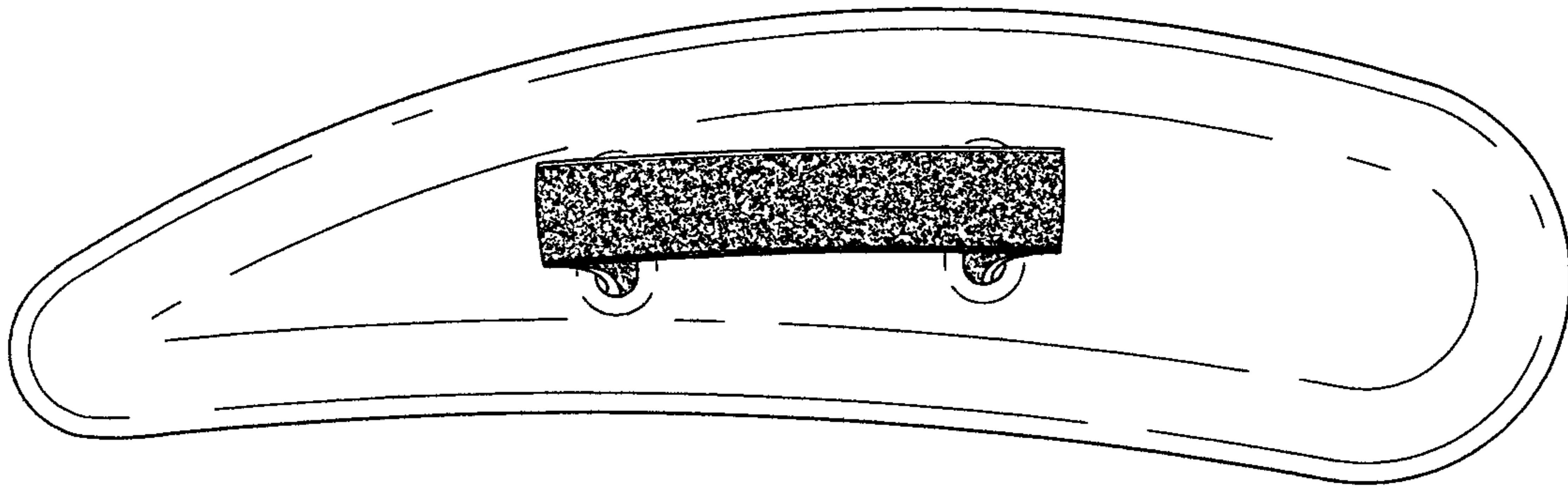


FIG. 4

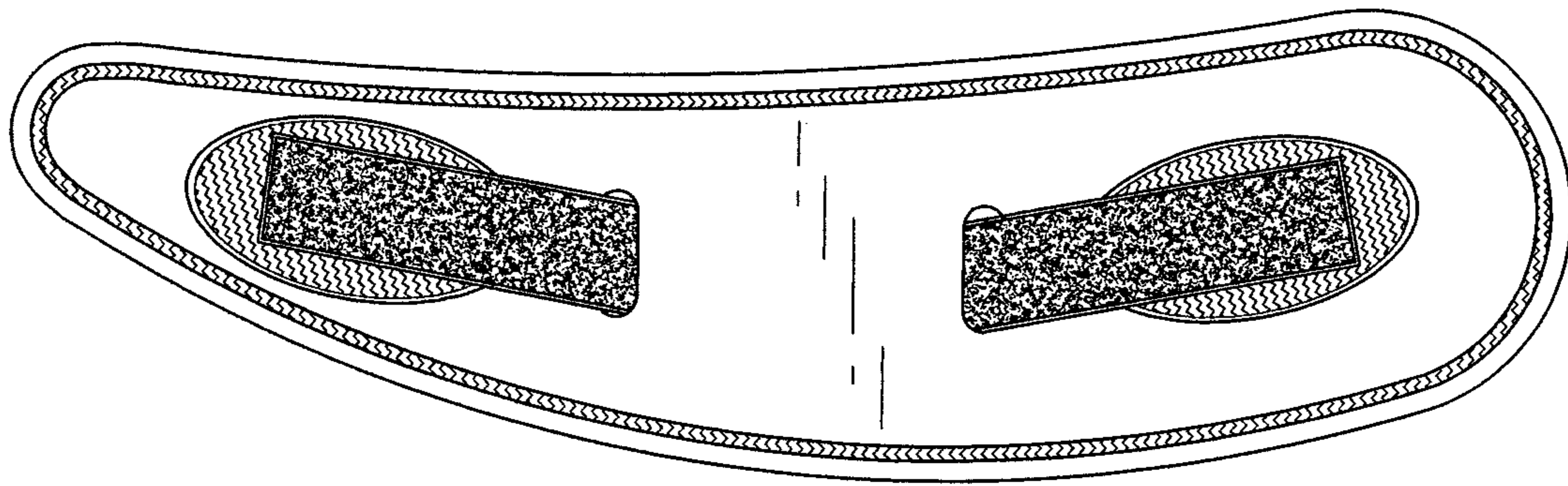


FIG. 5

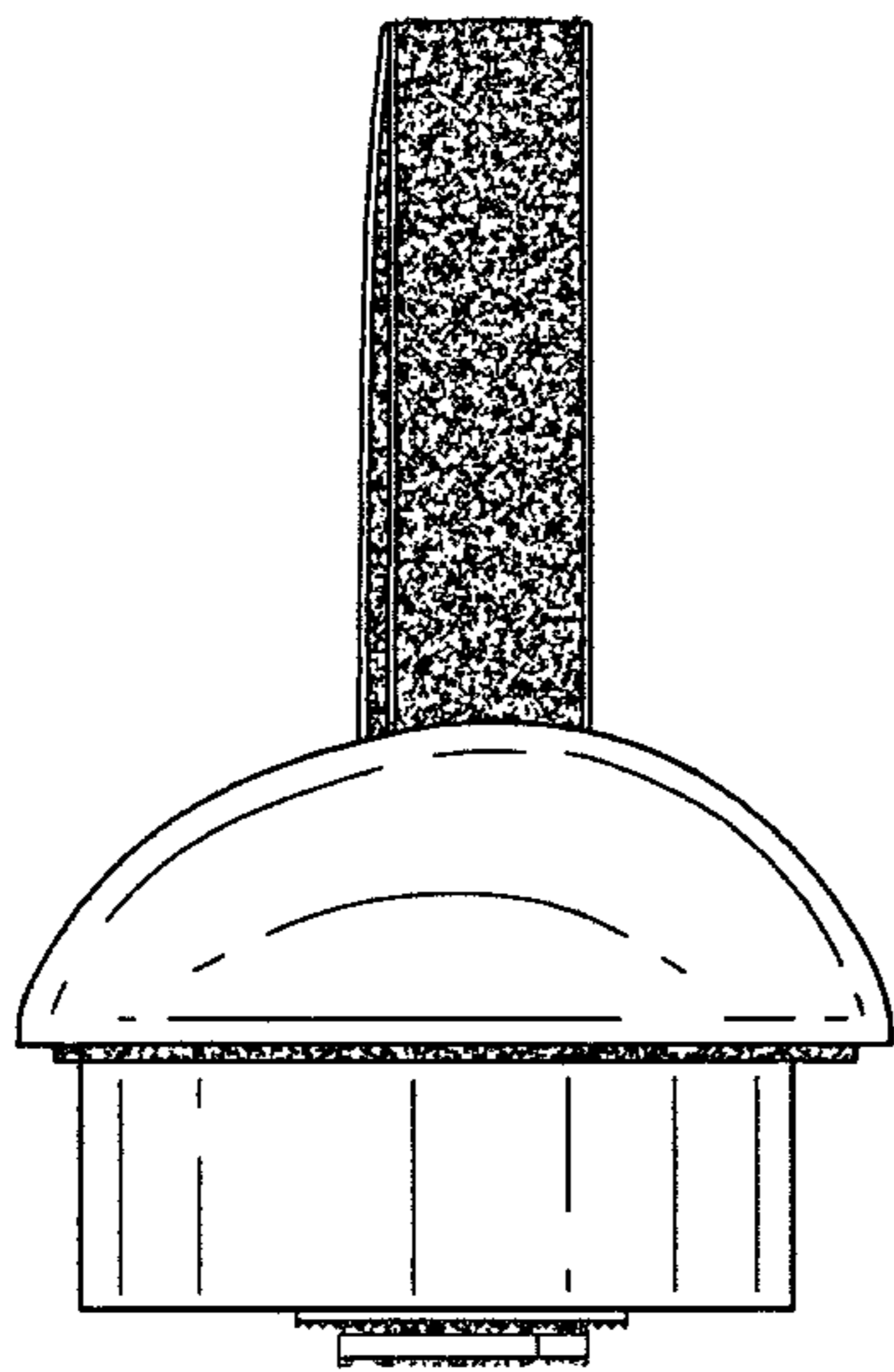


FIG. 6

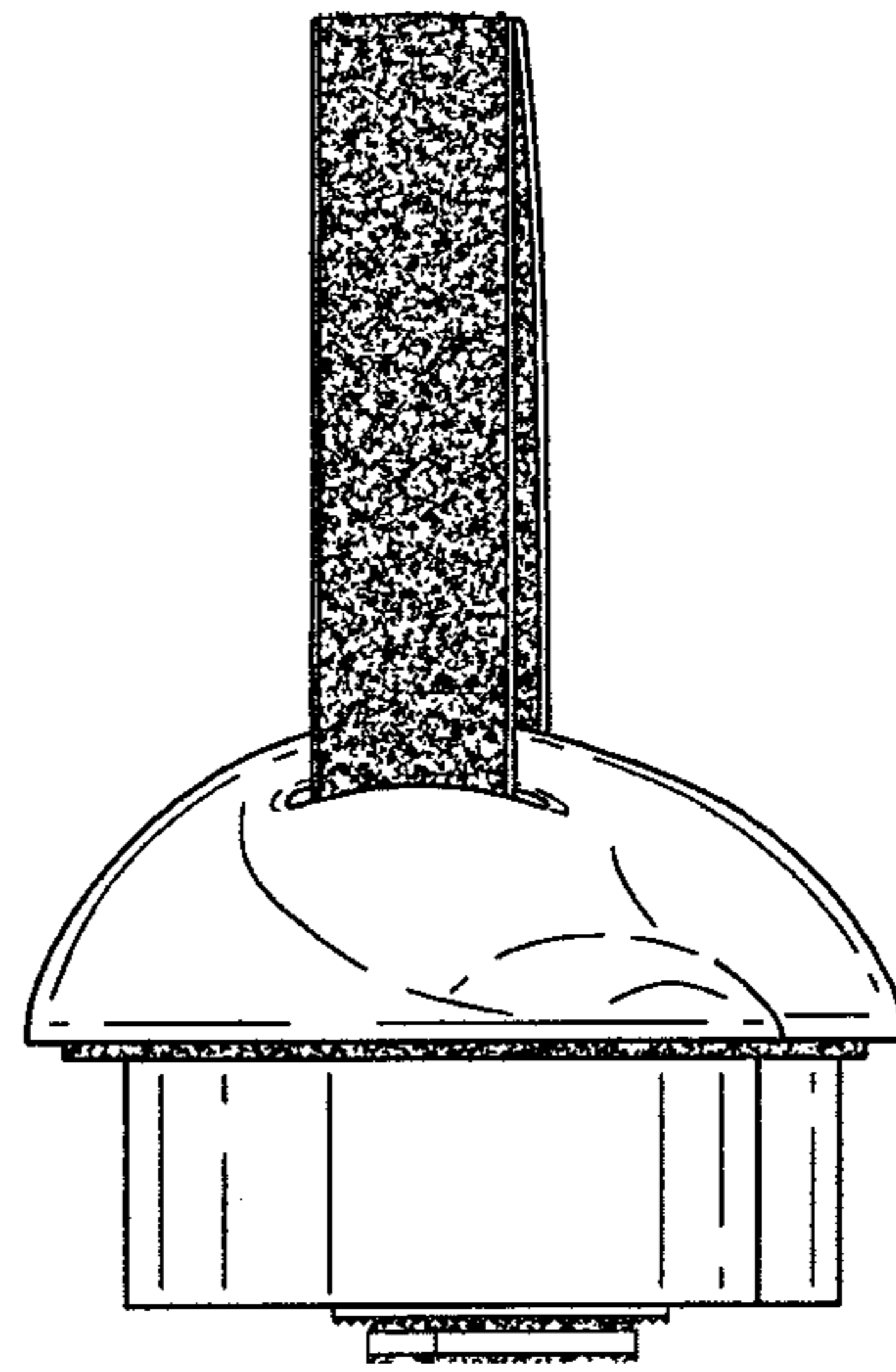


FIG. 7