



US00D975854S

(12) **United States Design Patent** (10) **Patent No.:** **US D975,854 S**  
**Xu** (45) **Date of Patent:** **\*\* Jan. 17, 2023**

(54) **MEDICAL TRANSFER PAD**  
(71) Applicant: **KEASY (XIAMEN) TECHNOLOGY CO., LTD**, Xiamen (CN)  
(72) Inventor: **Zhiyong Xu**, Putian (CN)  
(73) Assignee: **KEASY (XIAMEN) TECHNOLOGY CO., LTD**, Xiamen (CN)

2005/0246834 A1\* 11/2005 Weedling ..... A61G 7/103  
5/81.1 R  
2009/0004452 A1 1/2009 Assink  
2011/0056017 A1\* 3/2011 Schreiber ..... A61G 7/1028  
5/709  
2012/0210511 A1\* 8/2012 Davis ..... A61G 7/1051  
5/81.1 R

(Continued)

(\*\*) Term: **15 Years**

(21) Appl. No.: **29/808,370**

(22) Filed: **Sep. 18, 2021**

(51) **LOC (14) Cl.** ..... **24-02**

(52) **U.S. Cl.**  
USPC ..... **D24/183**; D12/128

(58) **Field of Classification Search**  
USPC ..... D24/107, 158–161, 171, 183–184, 188,  
D24/190–191, 200, 201, 211, 215;  
D6/336–337, 382, 383, 384, 392, 393,  
D6/595–603, 606; D12/128, 133;  
D29/100, 101, 101.1, 102, 124  
CPC .... A61G 7/1028; A61G 1/048; A61G 7/1021;  
A61G 7/1026; A61B 46/00  
See application file for complete search history.

(56) **References Cited**

**U.S. PATENT DOCUMENTS**

3,283,755 A \* 11/1966 Harden ..... A45D 44/22  
27/25.1  
D284,326 S \* 6/1986 Roney ..... D29/101.1  
D425,455 S \* 5/2000 Vann ..... D12/128  
D486,287 S \* 2/2004 Liljedahl ..... D34/28  
D712,796 S \* 9/2014 Calkin ..... D12/128  
D727,450 S \* 4/2015 Norris ..... D21/805  
11,253,412 B1 \* 2/2022 Xu ..... B32B 5/26  
D952,161 S \* 5/2022 Xu ..... D24/188  
D959,671 S \* 8/2022 Xu ..... D24/183  
D961,780 S \* 8/2022 Wagner ..... D24/191  
2004/0088794 A1\* 5/2004 Calkin ..... A61G 1/01  
5/628

**OTHER PUBLICATIONS**

Positioning, Turning and Lifting Pad Online, published date unknown.  
Retrieved on Sep. 21, 2022 from URL: <https://www.cresthealthcare.com/mobility-transfer/transfer-products/positioning-turning-and-lifting-pad-115556>.\*

(Continued)

*Primary Examiner* — Omeed Agilee

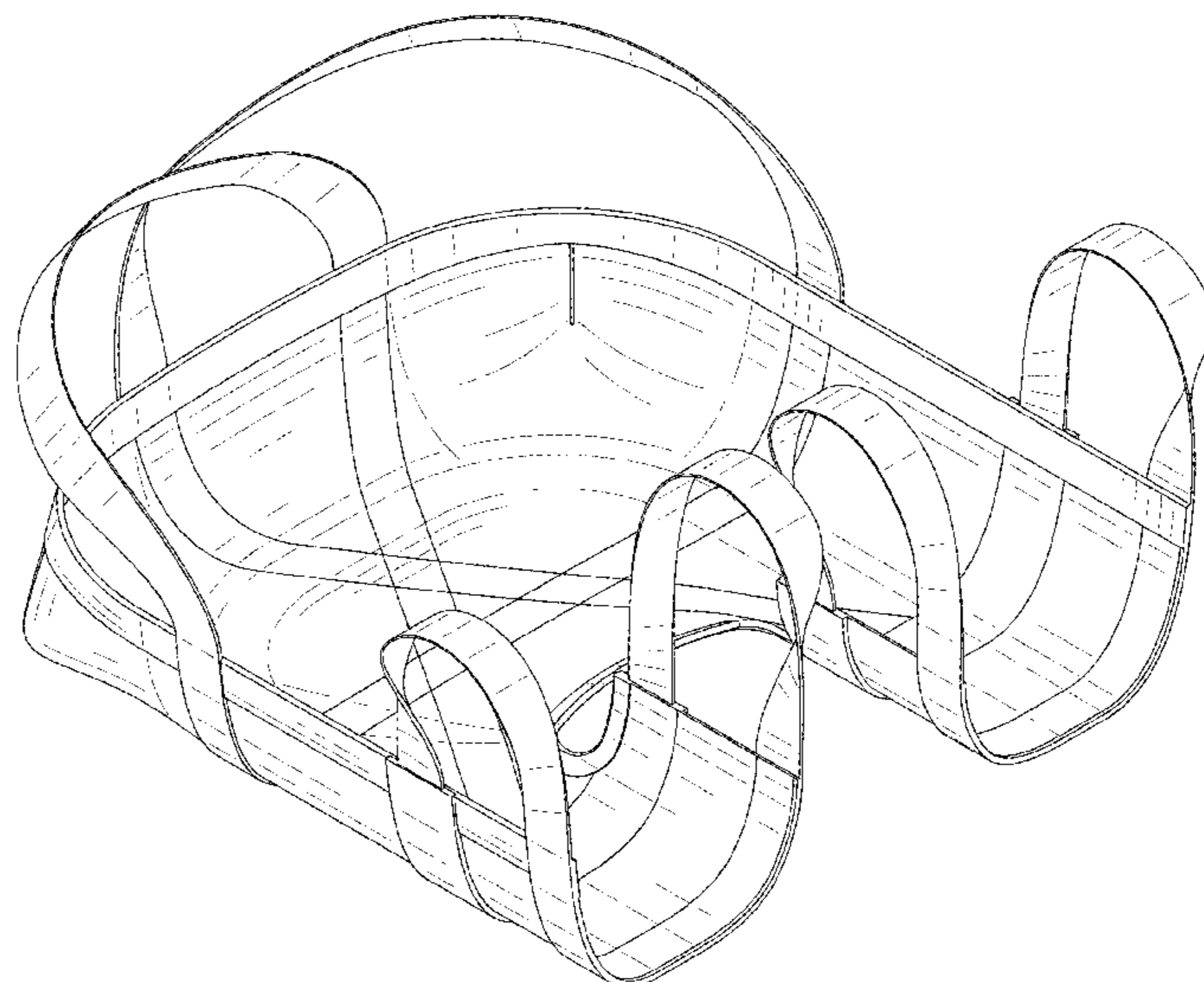
(57) **CLAIM**

The ornamental design for a medical transfer pad, as shown and described.

**DESCRIPTION**

FIG. 1 is a perspective view of a medical transfer pad showing my new design;  
FIG. 2 is another perspective view thereof;  
FIG. 3 is a front elevational view thereof;  
FIG. 4 is a rear elevational view thereof;  
FIG. 5 is a left side elevational view thereof;  
FIG. 6 is a right side elevational view thereof;  
FIG. 7 is a top plan view thereof;  
FIG. 8 is a bottom plan view thereof;  
FIG. 9 is a perspective view of the medical transfer pad where the medical transfer pad is in a first configuration of use; and,  
FIG. 10 is a perspective view of the medical transfer pad where the medical transfer pad is in a second configuration of use.

**1 Claim, 10 Drawing Sheets**



(56)

**References Cited**

U.S. PATENT DOCUMENTS

2016/0242973 A1\* 8/2016 Delaney ..... A61G 1/01  
2019/0110603 A1\* 4/2019 Lunsford ..... A47C 16/00

OTHER PUBLICATIONS

Patient Carrier Seat. Online, published date unknown. Retrieved on  
Sep. 21, 2022 from URL: <https://haloevacuation.com/product/patient-carrier-seat/>.\*

\* cited by examiner

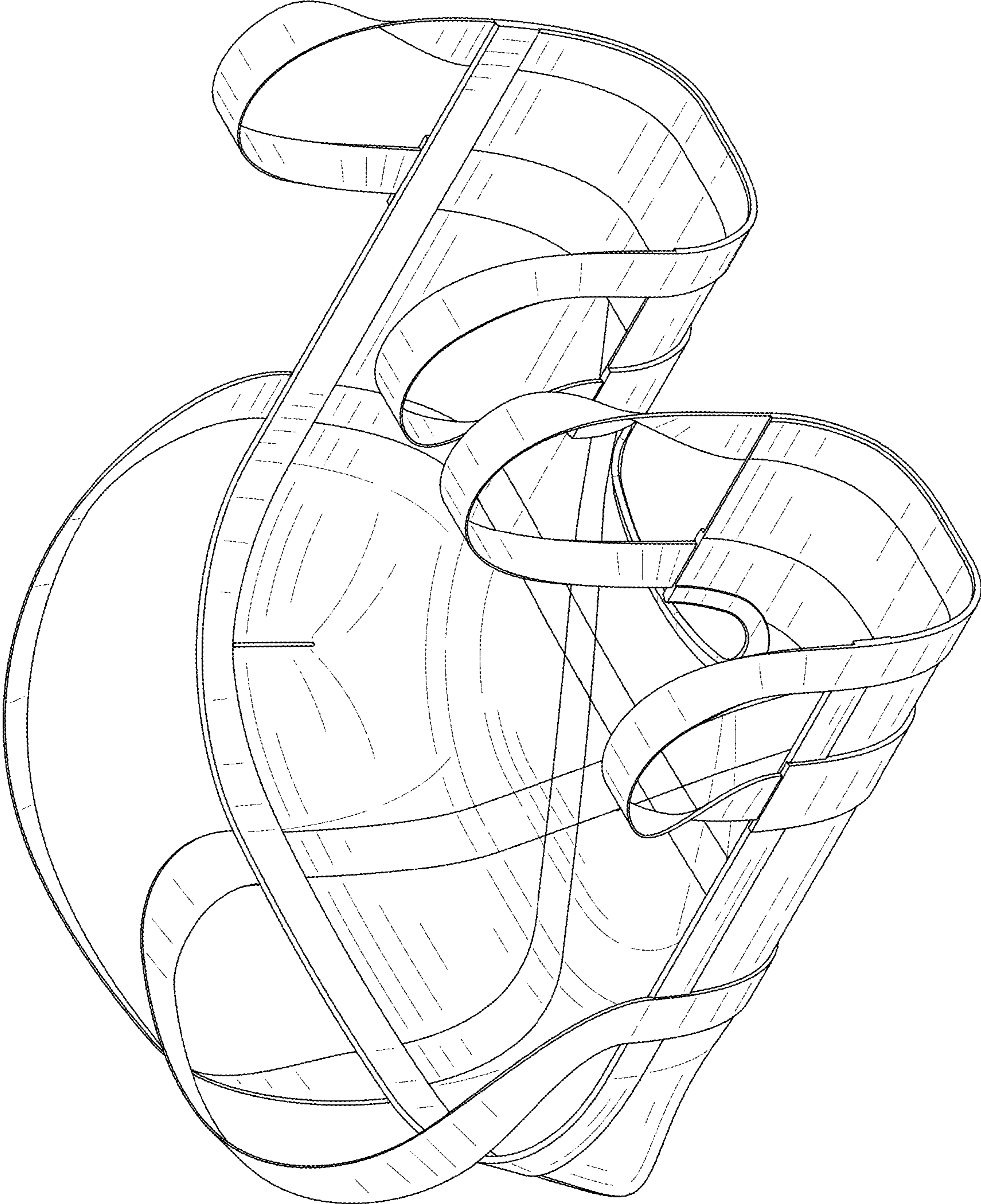


FIG. 1



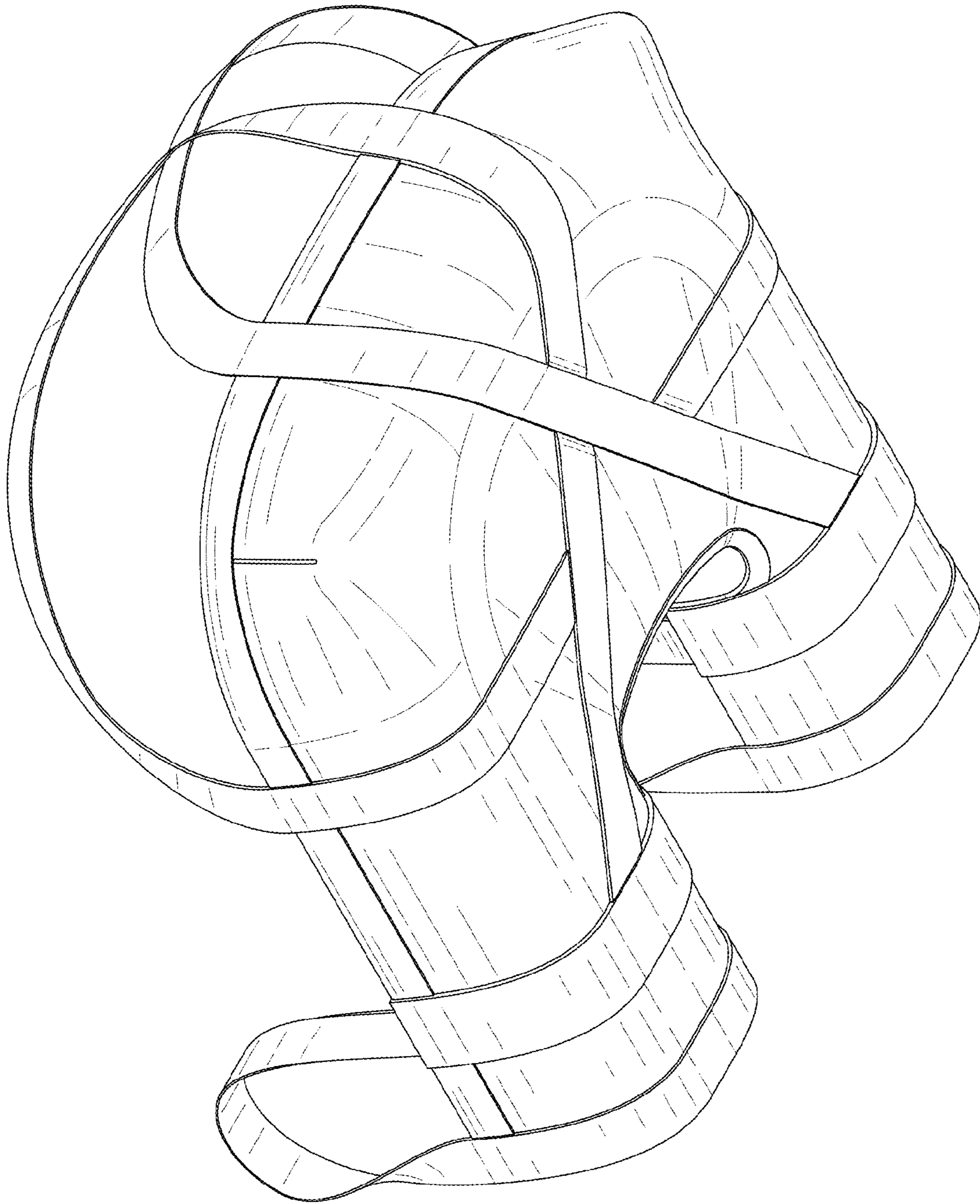


FIG. 2

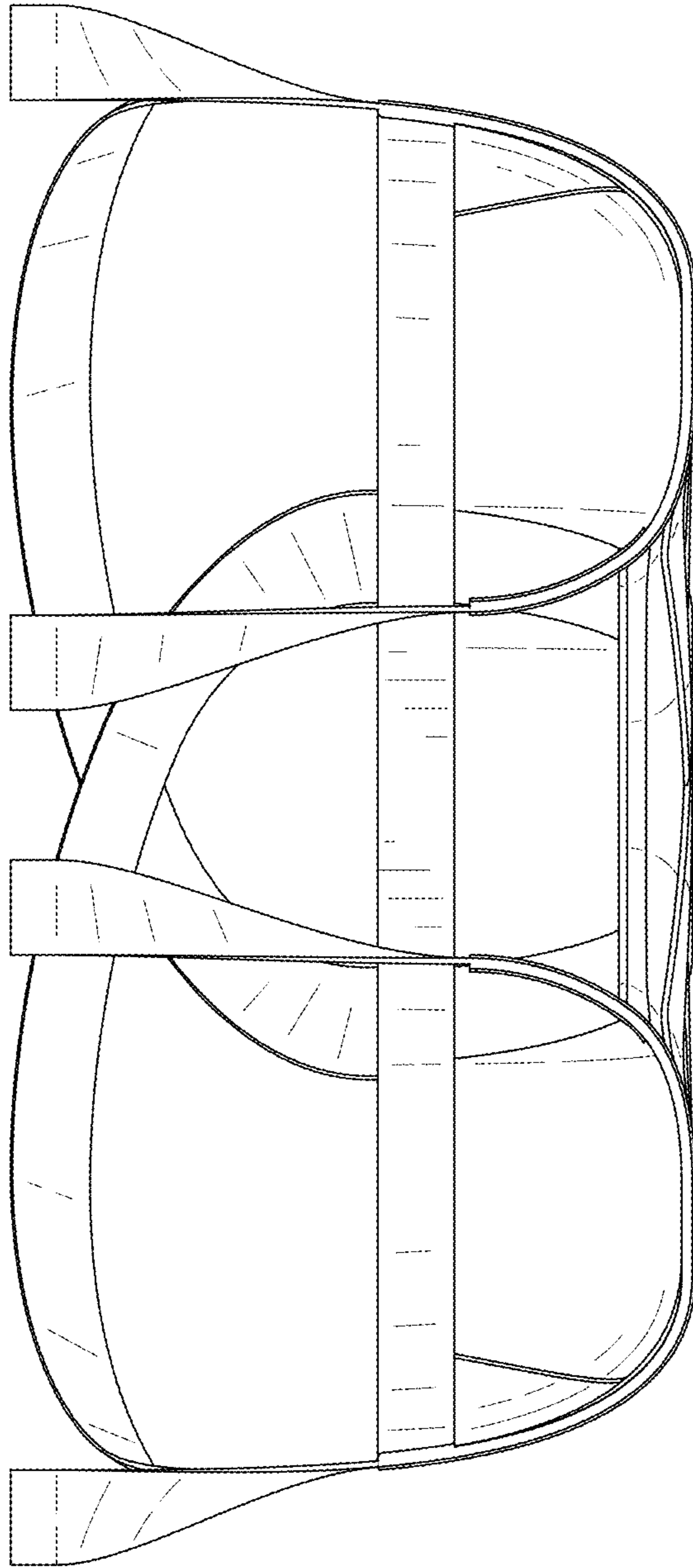


FIG. 3

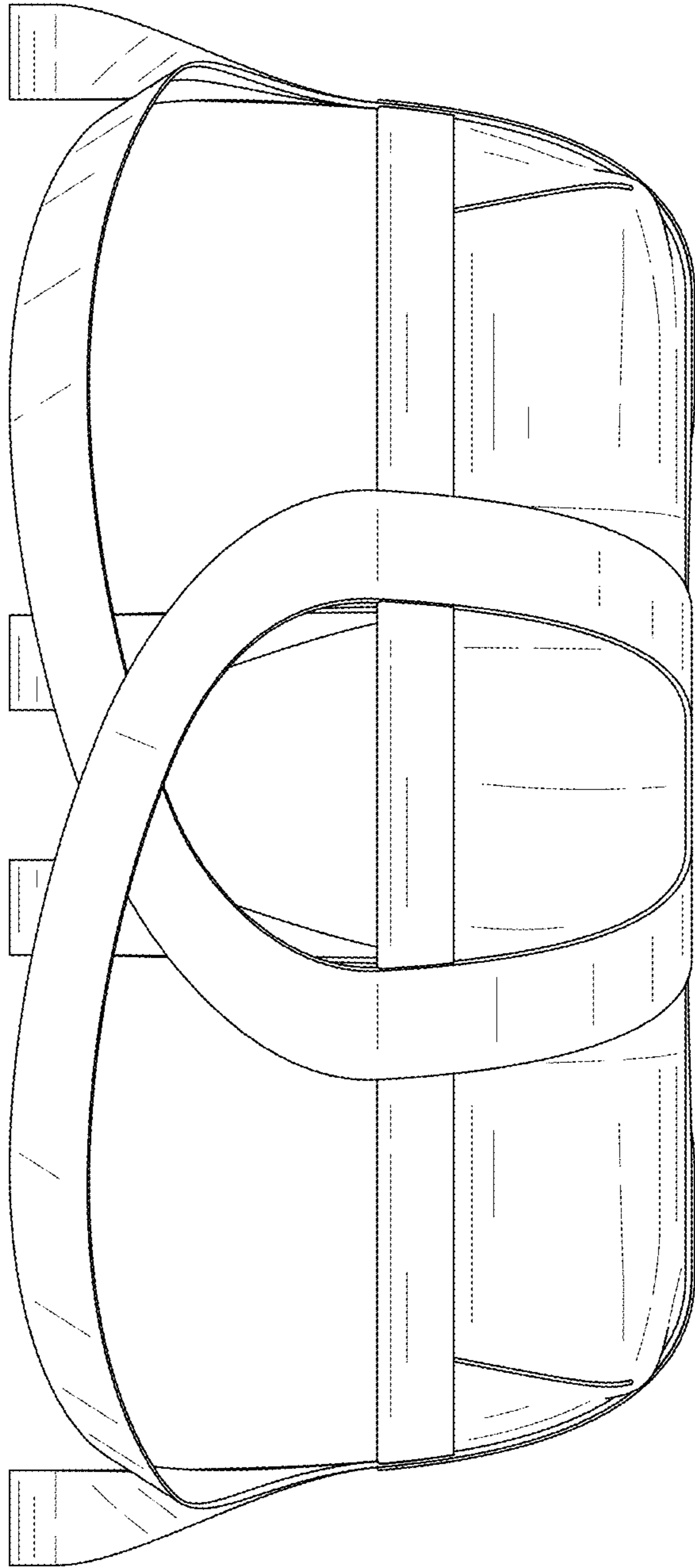


FIG. 4

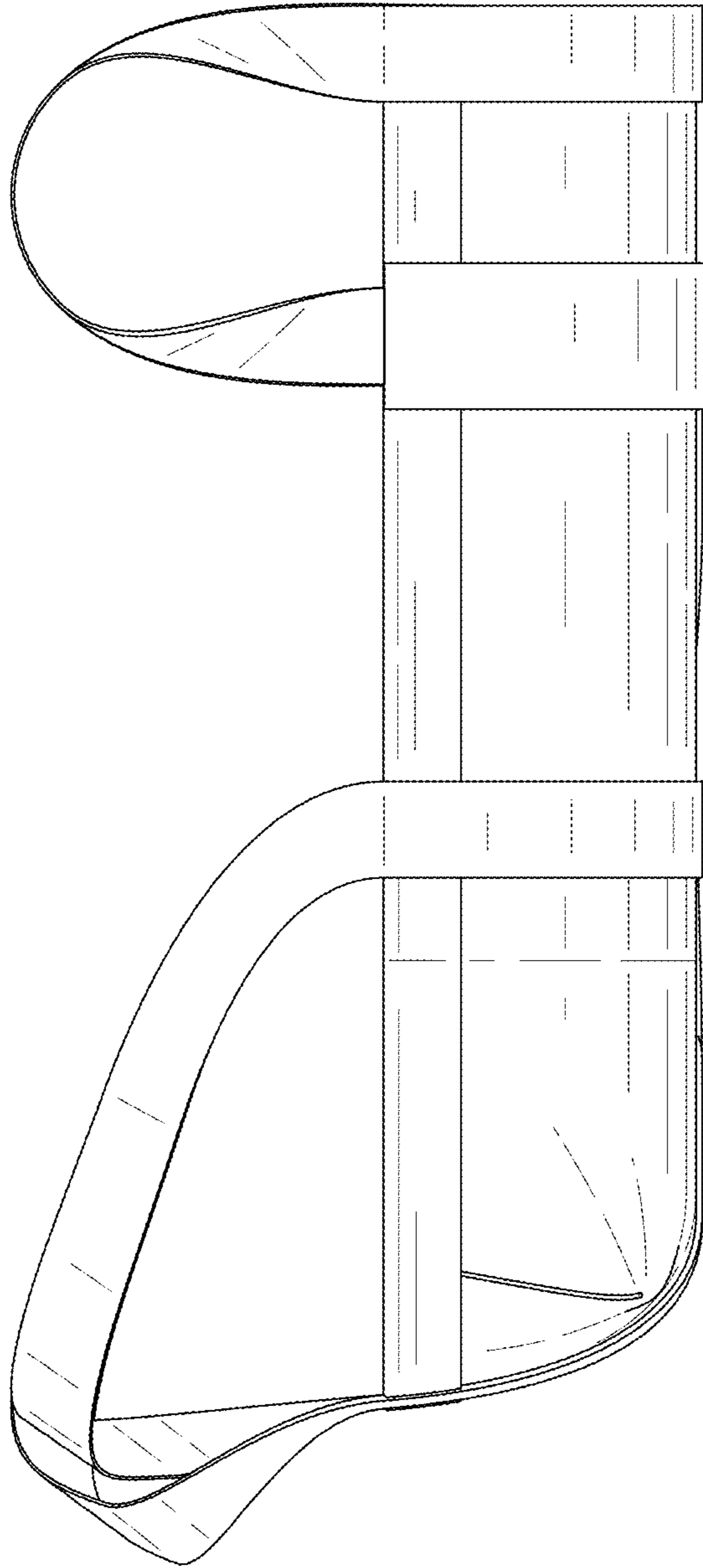


FIG. 5

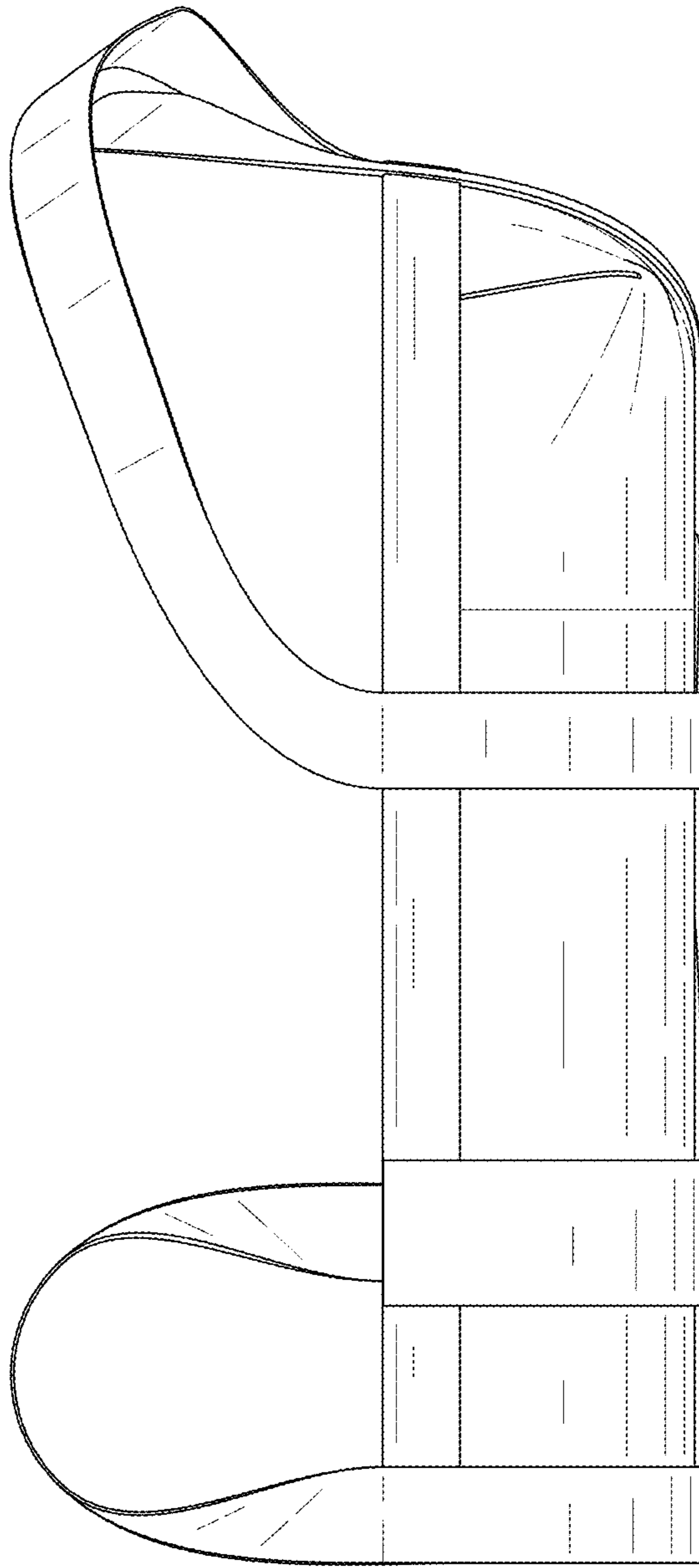


FIG. 6



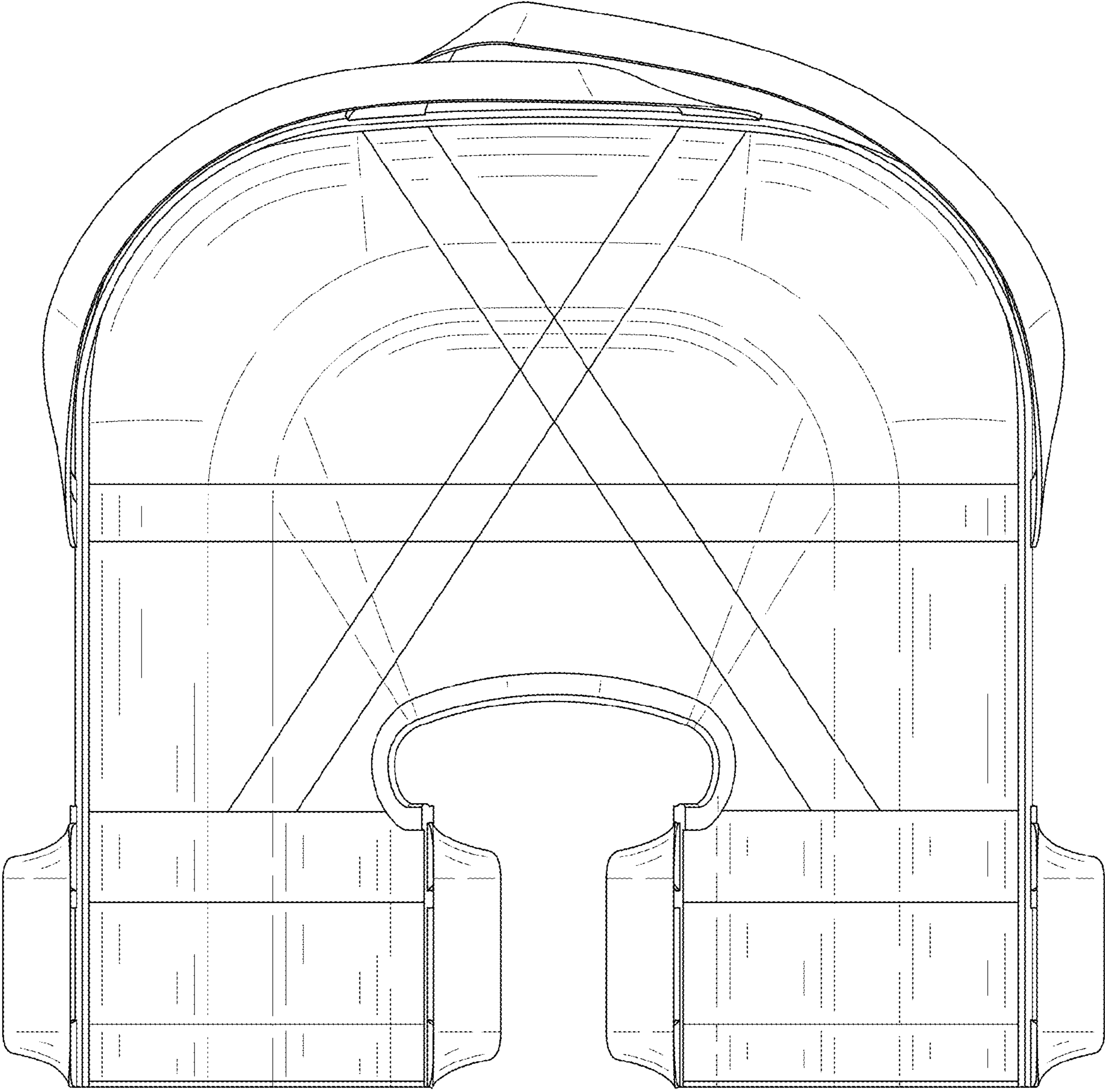


FIG. 7

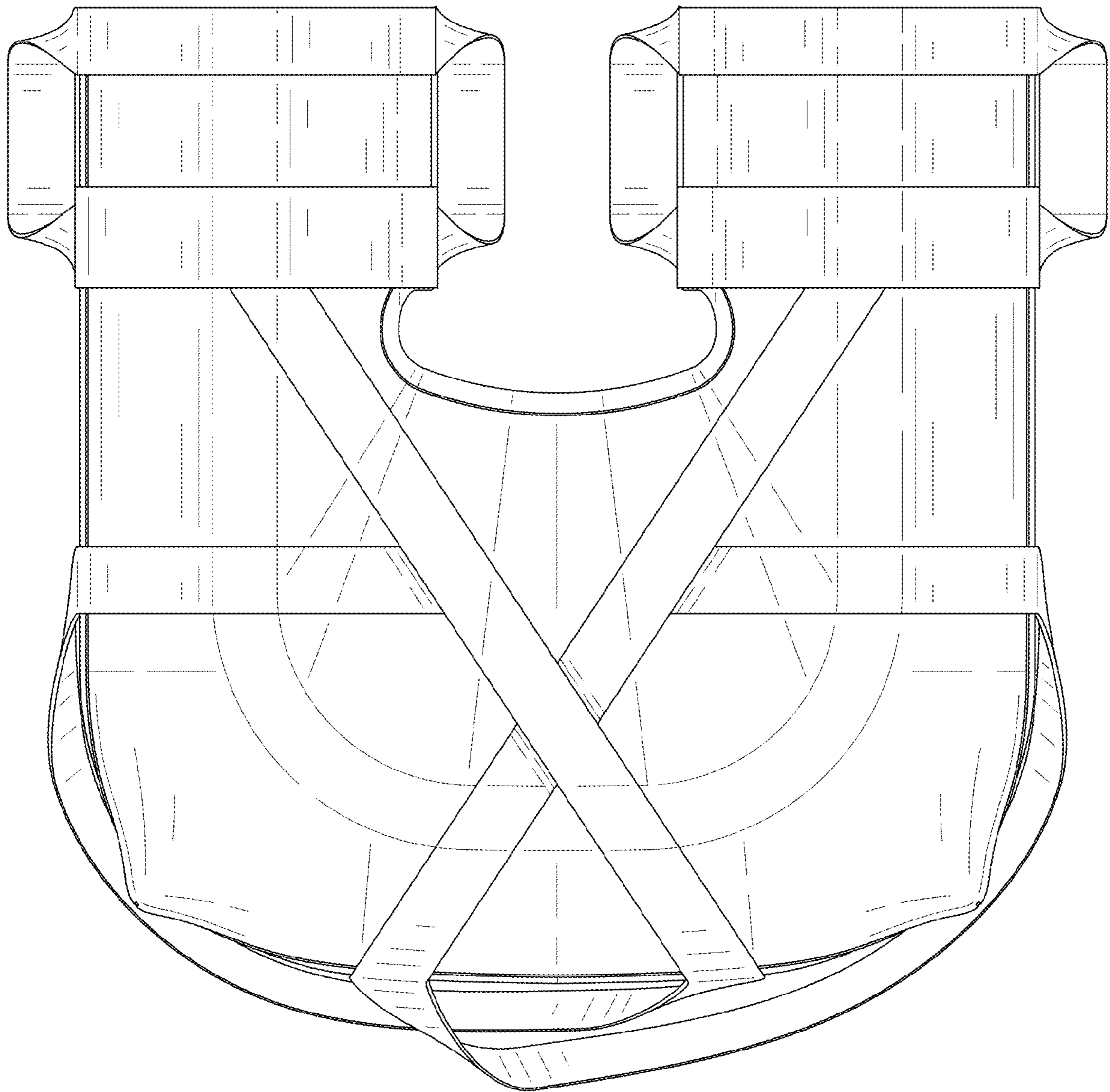


FIG. 8

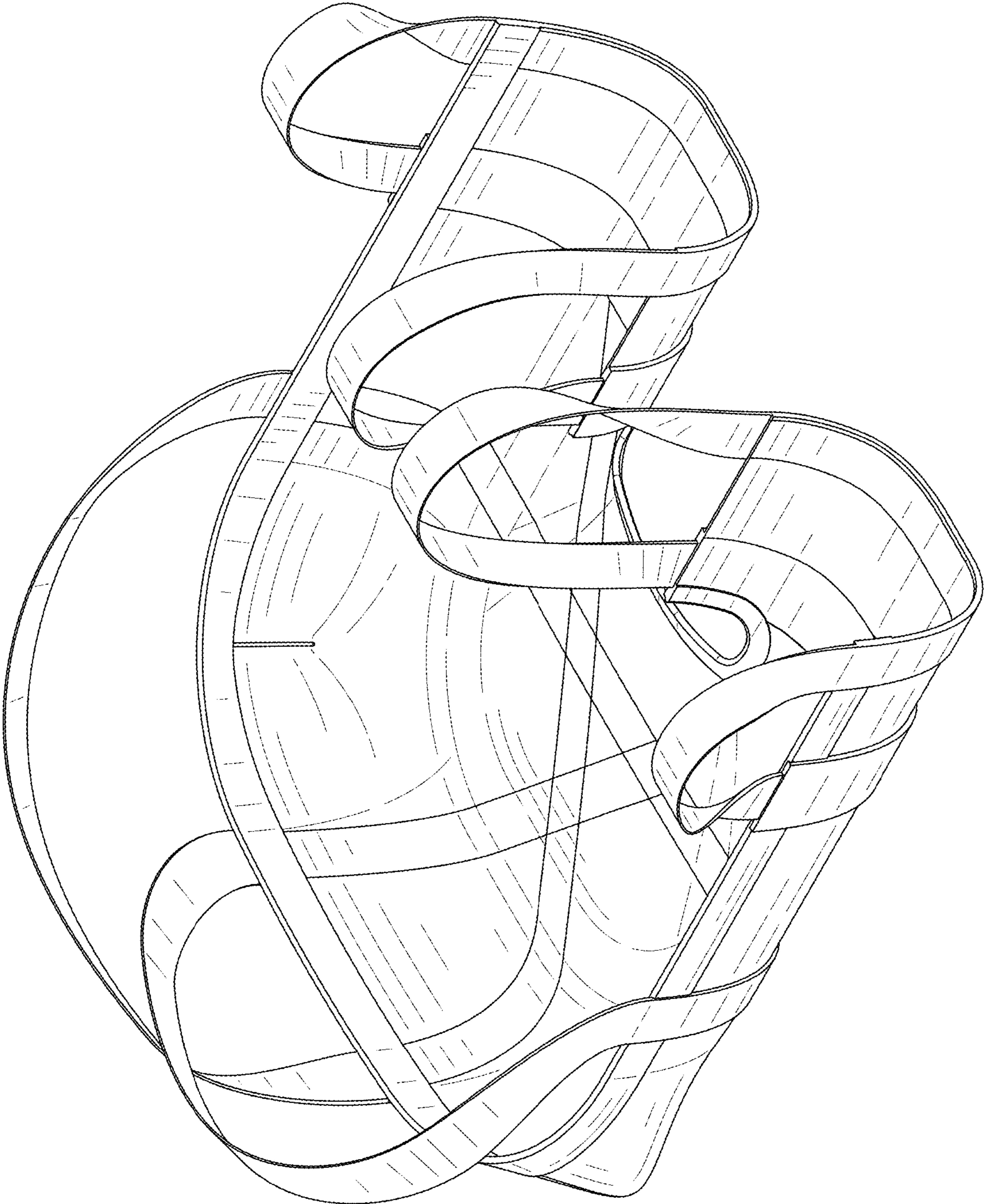


FIG. 9



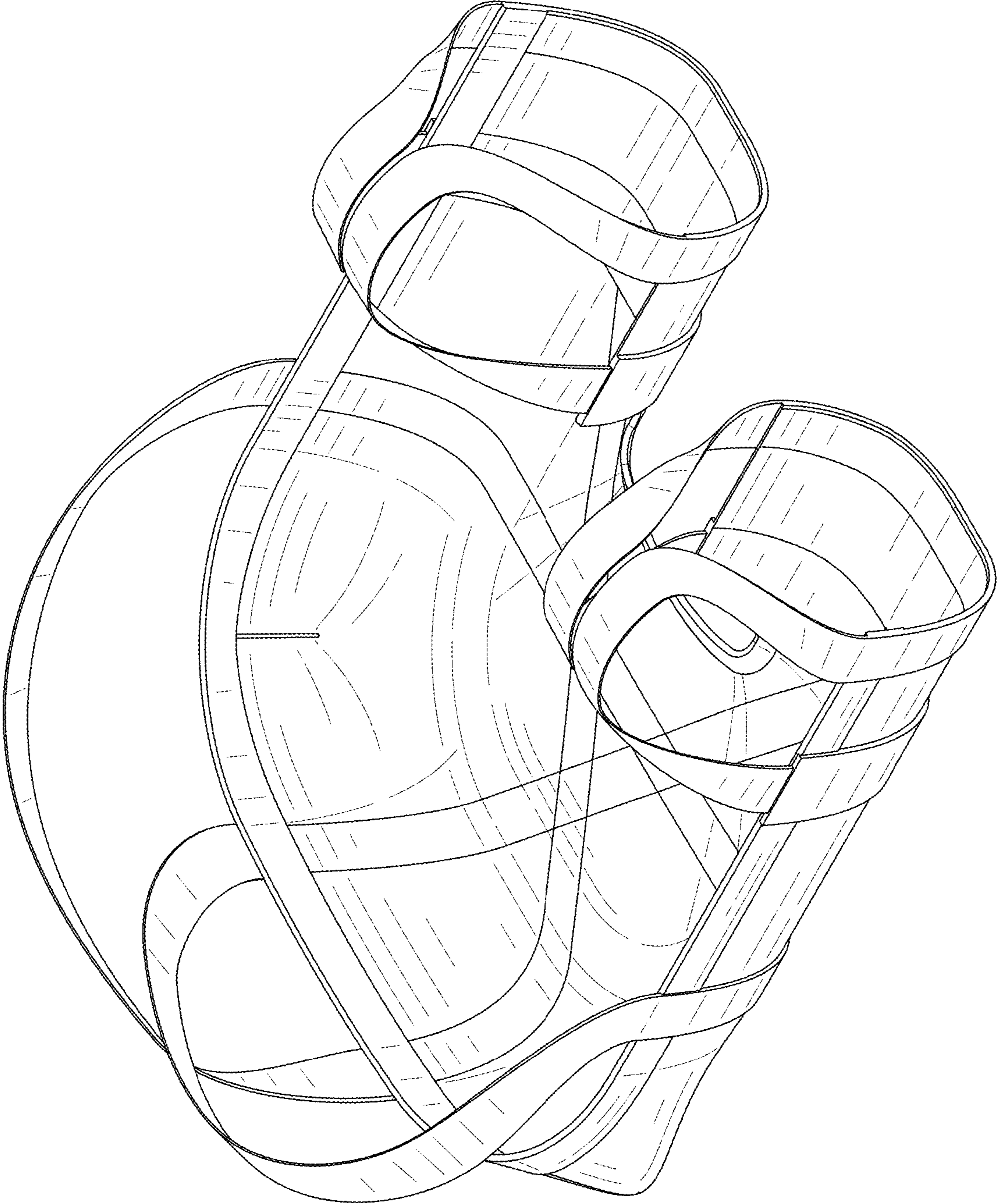


FIG. 10