



US00D975852S

(12) **United States Design Patent** (10) **Patent No.:** **US D975,852 S**  
**Kim** (45) **Date of Patent:** **\*\* Jan. 17, 2023**

(54) **TORQUE WRENCH MEDICAL INSTRUMENT**

(71) Applicant: **Denflex Co., Ltd.**, Seoul (KR)

(72) Inventor: **Hyung Woo Kim**, Gyeonggi-do (KR)

(\*\*) Term: **15 Years**

(21) Appl. No.: **35/513,516**

(22) Filed: **Jul. 30, 2021**

(80) **Hague Agreement Data**

Int. Filing Date: **Jul. 30, 2021**

Int. Reg. No.: **DM/217081**

Int. Reg. Date: **Jul. 30, 2021**

Int. Reg. Pub. Date: **Feb. 4, 2022**

(51) **LOC (14) Cl.** ..... **24-02**

(52) **U.S. Cl.**  
USPC ..... **D24/152**

(58) **Field of Classification Search**  
USPC ..... D8/16, 17, 19, 33, 45, 366, 371;  
D24/152, 133, 176, 182, 180  
CPC . B25B 13/463; B25B 23/1427; A61C 8/0089;  
A61B 17/8875

See application file for complete search history.

(56) **References Cited**

**U.S. PATENT DOCUMENTS**

D354,352 S \* 1/1995 Selman ..... D8/21  
D362,909 S \* 10/1995 Warner ..... D24/147

5,734,113 A \* 3/1998 Vogt ..... A61C 8/0089  
73/862.21  
D947,629 S \* 4/2022 Blay ..... D24/152  
D964,128 S \* 9/2022 Nucini ..... D24/152  
2010/0233653 A1 \* 9/2010 Yeh ..... A61C 8/0089  
433/141  
2010/0304330 A1 \* 12/2010 Rasmussen ..... B25B 13/462  
81/177.1  
2019/0160635 A1 \* 5/2019 Hsieh ..... B25B 13/462

\* cited by examiner

*Primary Examiner* — Eliza Z Harvey

(57) **CLAIM**

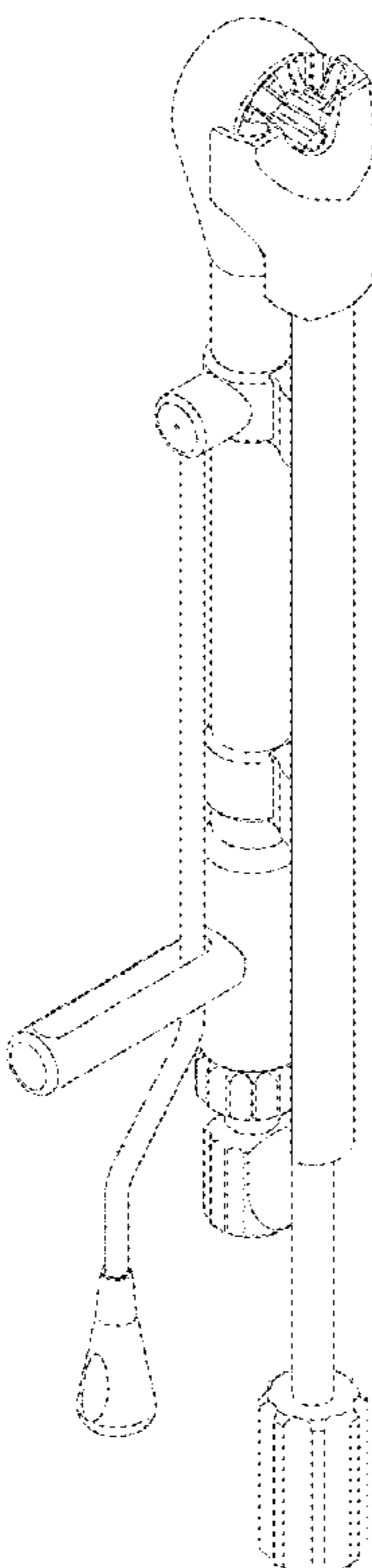
The ornamental design for a torque wrench medical instrument, as shown and described.

**DESCRIPTION**

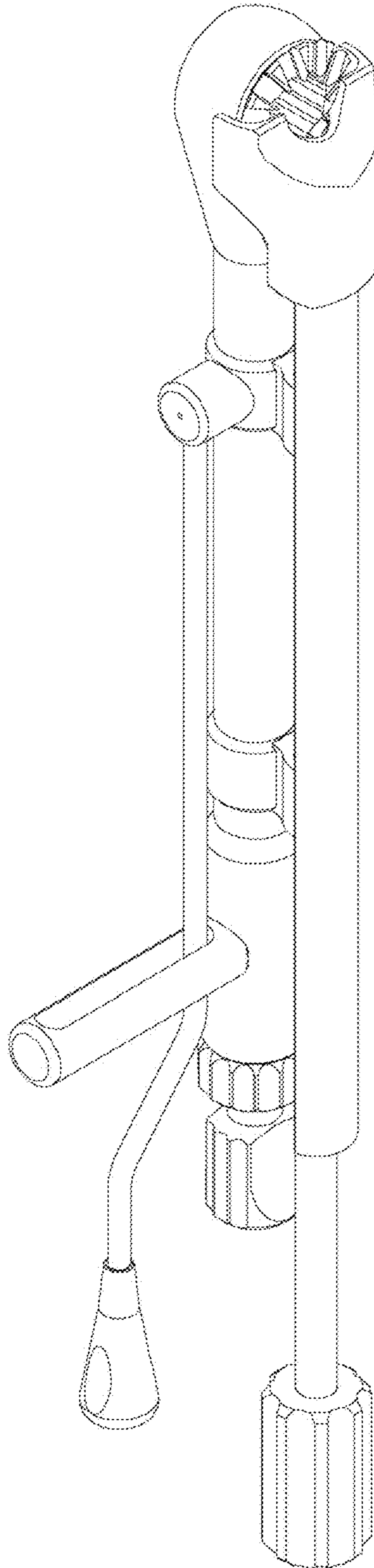
- 1. Torque wrench medical instrument
- 1.1 : Perspective
- 1.2 : Front
- 1.3 : Back
- 1.4 : Left
- 1.5 : Right
- 1.6 : Top
- 1.7 : Bottom

The claimed design is a torque wrench which can be used to tighten or loosen fasteners such as bolts for medical purposes.

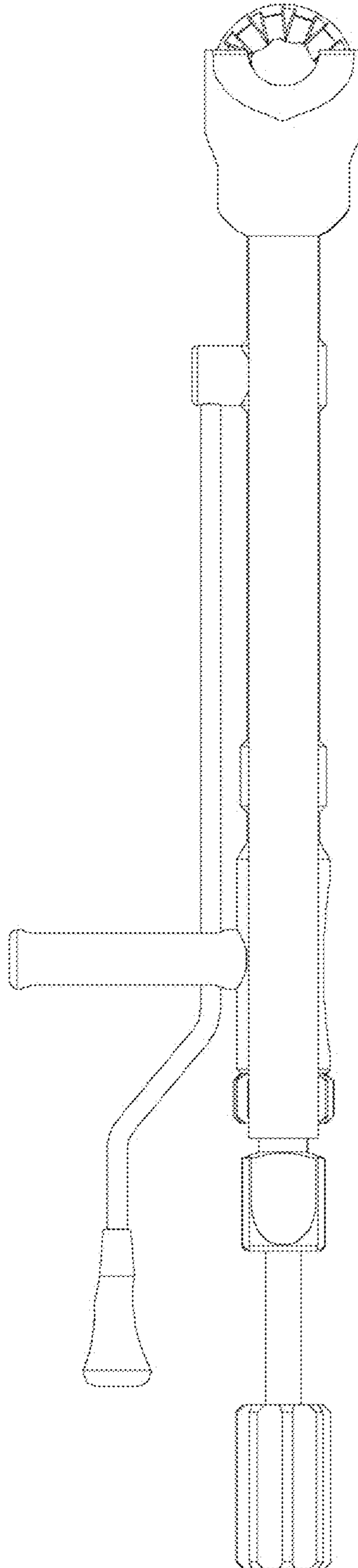
**1 Claim, 7 Drawing Sheets**



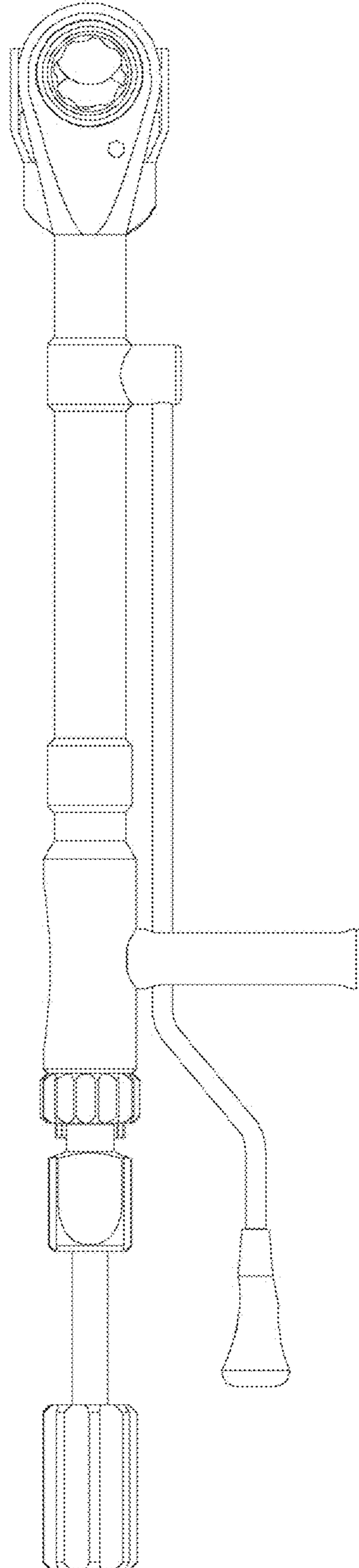
1.1



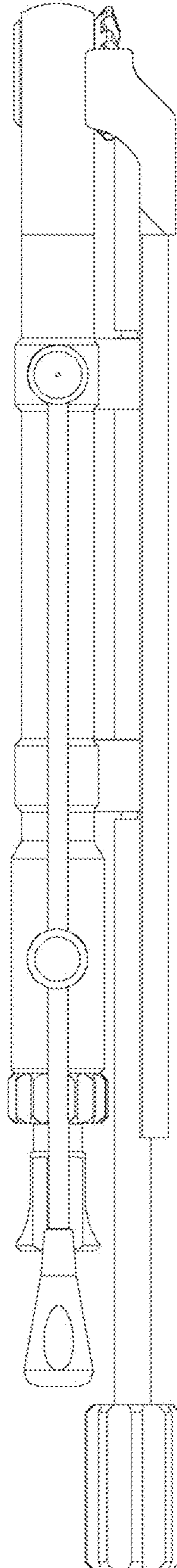
1.2



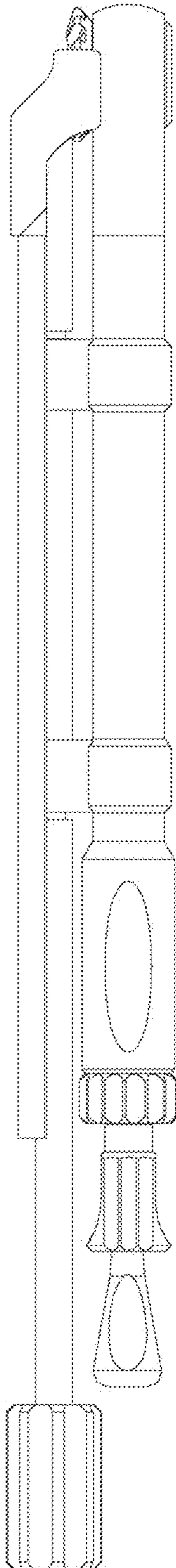
1.3



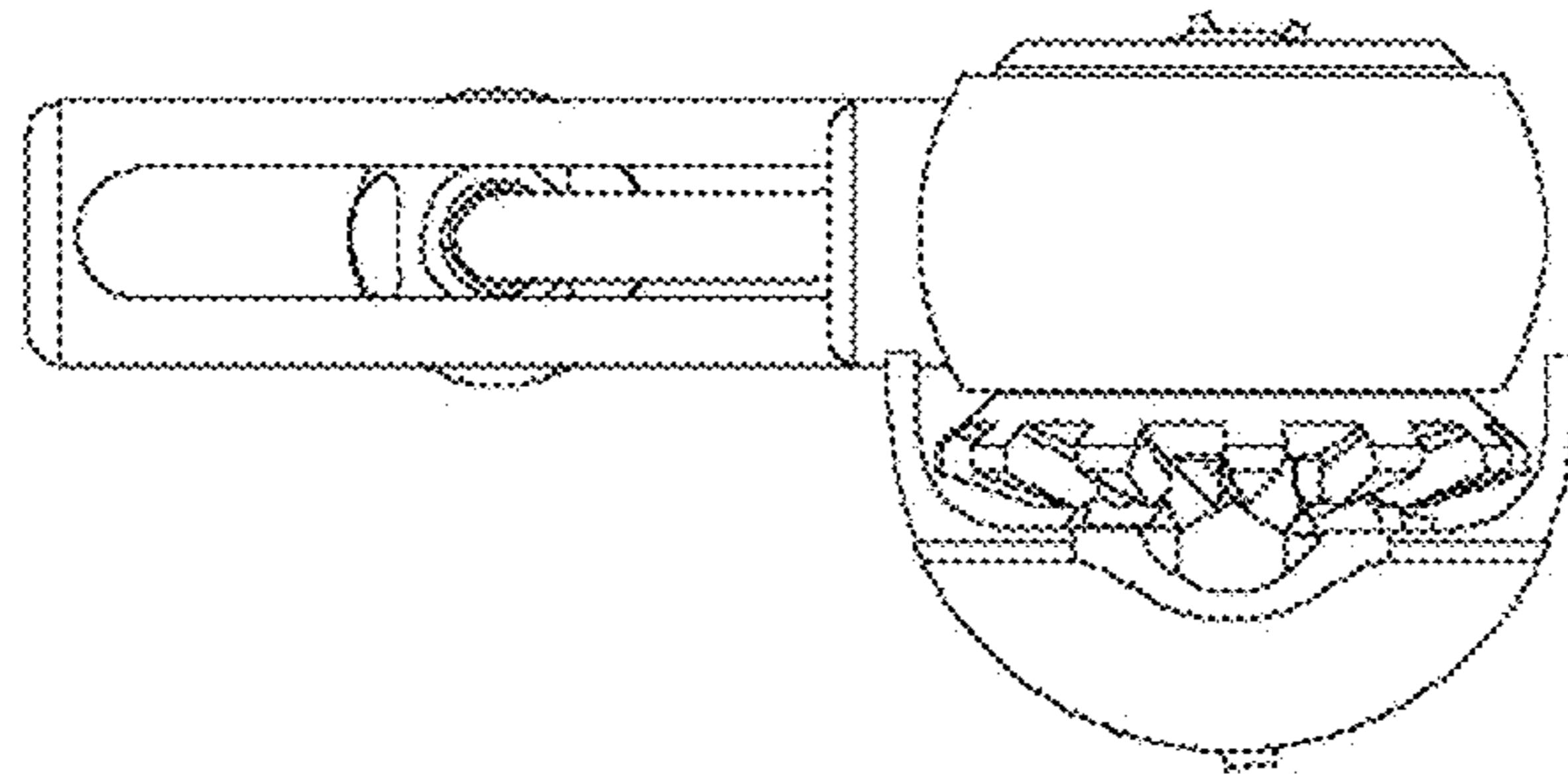
1.4



1.5



1.6



1.7

