

US00D975851S

(12) **United States Design Patent**  
**Shelton, IV et al.**

(10) **Patent No.: US D975,851 S**

(45) **Date of Patent: \*\* \*Jan. 17, 2023**

(54) **STAPLE CARTRIDGE**

(71) Applicant: **Cilag GmbH International**, Zug (CH)

(72) Inventors: **Frederick E. Shelton, IV**, Hillsboro, OH (US); **Jason L. Harris**, Lebanon, OH (US)

(73) Assignee: **Cilag GmbH International**, Zug (CH)

(\*) Notice: This patent is subject to a terminal disclaimer.

(\*\*) Term: **15 Years**

(21) Appl. No.: **29/736,654**

(22) Filed: **Jun. 2, 2020**

(51) **LOC (14) Cl. .... 24-02**

(52) **U.S. Cl.**

USPC ..... **D24/145**

(58) **Field of Classification Search**

USPC .... D6/522, 523, 525, 526, 553, 566; D8/49, D8/51, 52, 59, 60, 64, 82, 85, 86, 95, 97, D8/300, 303, 349, 499; D14/372; D15/138, 139; D16/100, 130, 309; D24/108, 112, 113, 114, 115, 119, 127, D24/128, 129, 130, 133, 137, 142, 144, D24/145, 146, 147, 148, 150, 155, 158, D24/160, 170, 171, 172, 173, 181, 185, D24/186, 188, 200, 215, 216, 222, 231, D24/232; D25/38.1, 41.1; D10/57; D28/7

CPC ..... A61B 3/00; A61B 3/0016; A61B 3/0025; A61B 3/0033; A61B 3/0041; A61B 3/0075; A61B 3/0083; A61B 3/0091; A61B 3/02; A61B 3/10; A61B 3/1005; A61B 3/12; A61B 3/13; A61B 3/18; A61B 17/00; A61B 2017/00349; A61B 2017/00455; A61B 2017/00464; A61B 2017/00473; A61B 2017/0053; A61B 17/0057; A61B 17/0231; A61B 17/04; A61B 17/064; A61B 17/0642; A61B 17/0643; A61B 17/0644; A61B

2017/0688; A61B 17/14; A61B 17/142; A61B 17/15; A61B 17/151; A61B 17/154; A61B 17/155; A61B 17/157; A61B 17/158; A61B 17/16; A61B 17/1613; A61B 17/1615; A61B 17/1617; A61B 2090/0817; A61B 2017/00663; A61B 17/0401; A61B 2017/0404; A61B 10/00; A61B 10/02; A61B 2010/0208; A61B 10/04; A61B 2010/045; A61B 17/221; A61B 17/34; A61B 17/3415; B23D 51/025; A61F 9/00; A61F 9/007; A61F 9/0133; A61F 2210/0004; A61H 5/00; A61H 5/005; A61H 2205/022; E21B 10/00; B28B 7/00; B28B 7/0002; B28B 7/0032; B28B 7/0094; B28B 7/16; B28B 7/18

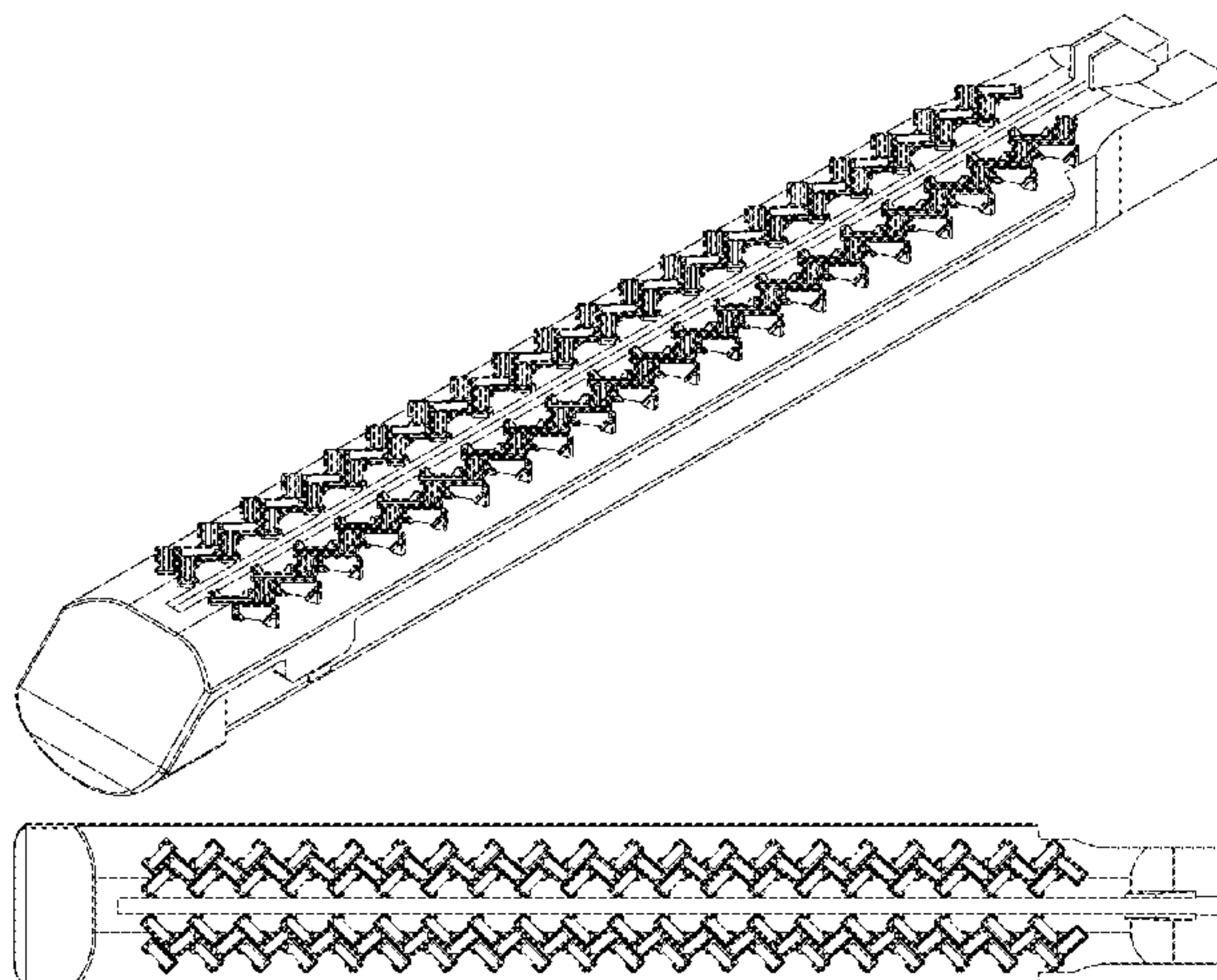
See application file for complete search history.

(56)

**References Cited**

**U.S. PATENT DOCUMENTS**

66,052 A	6/1867	Smith
662,587 A	11/1900	Blake
670,748 A	3/1901	Weddeler
719,487 A	2/1903	Minor
804,229 A	11/1905	Hutchinson
903,739 A	11/1908	Lesemann
951,393 A	3/1910	Hahn
1,075,556 A	10/1913	Fenoughty
1,082,105 A	12/1913	Anderson
1,188,721 A	6/1916	Bittner
1,306,107 A	6/1919	Elliott
1,314,601 A	9/1919	McCaskey
1,466,128 A	8/1923	Hallenbeck
1,677,337 A	7/1928	Grove
1,794,907 A	3/1931	Kelly
1,849,427 A	3/1932	Hook
1,912,783 A	6/1933	Meyer
1,944,116 A	1/1934	Stratman
1,954,048 A	4/1934	Jeffrey et al.
2,028,635 A	1/1936	Wappler
2,037,727 A	4/1936	La Chapelle
2,120,951 A	6/1938	Hodgman
2,132,295 A	10/1938	Hawkins
2,161,632 A	6/1939	Nattenheimer
D120,434 S	5/1940	Gold
2,211,117 A	8/1940	Hess
2,214,870 A	9/1940	West



# US D975,851 S

Page 2

2,224,108 A	12/1940	Ridgway	3,695,646 A	10/1972	Mommsen
2,224,882 A	12/1940	Peck	3,709,221 A	1/1973	Riely
2,256,295 A	9/1941	Schmid	3,717,294 A	2/1973	Green
2,318,379 A	5/1943	Davis et al.	3,724,237 A	4/1973	Wood
2,329,440 A	9/1943	La Place	3,726,755 A	4/1973	Shannon
2,377,581 A	6/1945	Shaffrey	3,727,904 A	4/1973	Gabbey
2,406,389 A	8/1946	Lee	3,734,207 A	5/1973	Fishbein
2,420,552 A	5/1947	Morrill	3,740,994 A	6/1973	De Carlo, Jr.
2,441,096 A	5/1948	Happe	3,744,495 A	7/1973	Johnson
2,448,741 A	9/1948	Scott et al.	3,746,002 A	7/1973	Haller
2,450,527 A	10/1948	Smith	3,747,603 A	7/1973	Adler
2,491,872 A	12/1949	Neuman	3,747,692 A	7/1973	Davidson
2,507,872 A	5/1950	Unsinger	3,751,902 A	8/1973	Kingsbury et al.
2,526,902 A	10/1950	Rublee	3,752,161 A	8/1973	Bent
2,527,256 A	10/1950	Jackson	3,799,151 A	3/1974	Fukaumi et al.
2,578,686 A	12/1951	Fish	3,808,452 A	4/1974	Hutchinson
2,638,901 A	5/1953	Sugarbaker	3,815,476 A	6/1974	Green et al.
2,674,149 A	4/1954	Benson	3,819,100 A	6/1974	Noiles et al.
2,701,489 A	2/1955	Osborn	3,821,919 A	7/1974	Knohl
2,711,461 A	6/1955	Happe	3,822,818 A	7/1974	Strekopytov et al.
2,724,289 A	11/1955	Wight	3,826,978 A	7/1974	Kelly
2,742,955 A	4/1956	Dominguez	3,836,171 A	9/1974	Hayashi et al.
2,804,848 A	9/1957	O'Farrell et al.	3,837,555 A	9/1974	Green
2,808,482 A	10/1957	Zanichkowsky et al.	3,841,474 A	10/1974	Maier
2,825,178 A	3/1958	Hawkins	3,851,196 A	11/1974	Hinds
2,853,074 A	9/1958	Olson	3,863,639 A	2/1975	Kleaveland
2,856,192 A	10/1958	Schuster	3,863,940 A	2/1975	Cummings
2,887,004 A	5/1959	Stewart	3,883,624 A	5/1975	McKenzie et al.
2,957,353 A	10/1960	Lewis	3,885,491 A	5/1975	Curtis
2,959,974 A	11/1960	Emrick	3,887,393 A	6/1975	La Rue, Jr.
3,026,744 A	3/1962	Rouse	3,892,228 A	7/1975	Mitsui
3,032,769 A	5/1962	Palmer	3,894,174 A	7/1975	Cartun
3,035,256 A	5/1962	Egbert	3,899,829 A	8/1975	Storm et al.
3,060,972 A	10/1962	Sheldon	3,902,247 A	9/1975	Fleer et al.
3,075,062 A	1/1963	Iaccarino	3,940,844 A	3/1976	Colby et al.
3,078,465 A	2/1963	Bobrov	3,944,163 A	3/1976	Hayashi et al.
3,079,606 A	3/1963	Bobrov et al.	3,950,686 A	4/1976	Randall
3,080,564 A	3/1963	Strekopitov et al.	3,952,747 A	4/1976	Kimmell, Jr.
3,166,072 A	1/1965	Sullivan, Jr.	3,955,581 A	5/1976	Spasiano et al.
3,180,236 A	4/1965	Beckett	3,959,879 A	6/1976	Sellers
3,196,869 A	7/1965	Scholl	RE28,932 E	8/1976	Noiles et al.
3,204,731 A	9/1965	Bent et al.	3,972,734 A	8/1976	King
3,252,643 A	5/1966	Strekopytov et al.	3,973,179 A	8/1976	Weber et al.
3,266,494 A	8/1966	Brownrigg et al.	3,981,051 A	9/1976	Brumlik
3,269,630 A	8/1966	Fleischer	3,999,110 A	12/1976	Ramstrom et al.
3,269,631 A	8/1966	Takaro	4,025,216 A	5/1977	Hives
3,275,211 A	9/1966	Hirsch et al.	4,027,746 A	6/1977	Kine
3,315,863 A	4/1967	O'Dea	4,034,143 A	7/1977	Sweet
3,317,103 A	5/1967	Cullen et al.	4,038,987 A	8/1977	Komiya
3,317,105 A	5/1967	Astafjev et al.	4,047,654 A	9/1977	Alvarado
3,357,296 A	12/1967	Lefever	4,054,108 A	10/1977	Gill
3,359,978 A	12/1967	Smith, Jr.	4,060,089 A	11/1977	Noiles
3,377,893 A	4/1968	Shorb	4,066,133 A	1/1978	Voss
3,480,193 A	11/1969	Ralston	4,085,337 A	4/1978	Moeller
3,490,675 A	1/1970	Green et al.	4,100,820 A	7/1978	Evet
3,494,533 A	2/1970	Green et al.	4,106,446 A	8/1978	Yamada et al.
3,499,591 A	3/1970	Green	4,106,620 A	8/1978	Brimmer et al.
3,503,396 A	3/1970	Pierie et al.	4,108,211 A	8/1978	Tanaka
3,509,629 A	5/1970	Kidokoro	4,111,206 A	9/1978	Vishnevsky et al.
3,551,987 A	1/1971	Wilkinson	4,127,227 A	11/1978	Green
3,568,675 A	3/1971	Harvey	4,129,059 A	12/1978	Van Eck
3,572,159 A	3/1971	Tschanz	4,132,146 A	1/1979	Uhlig
3,583,393 A	6/1971	Takahashi	4,135,517 A	1/1979	Reale
3,589,589 A	6/1971	Akopov	4,149,461 A	4/1979	Simeth
3,598,943 A	8/1971	Barrett	4,154,122 A	5/1979	Severin
3,604,561 A	9/1971	Mallina et al.	4,160,857 A	7/1979	Nardella et al.
3,608,549 A	9/1971	Merrill	4,169,990 A	10/1979	Lerdman
3,618,842 A	11/1971	Bryan	4,180,285 A	12/1979	Reneau
3,635,394 A	1/1972	Natelson	4,185,701 A	1/1980	Boys
3,638,652 A	2/1972	Kelley	4,190,042 A	2/1980	Sinnreich
3,640,317 A	2/1972	Panfil	4,198,734 A	4/1980	Brumlik
3,643,851 A	2/1972	Green et al.	4,198,982 A	4/1980	Fortner et al.
3,650,453 A	3/1972	Smith, Jr.	4,203,444 A	5/1980	Bonnell et al.
3,661,339 A	5/1972	Shimizu	4,207,898 A	6/1980	Becht
3,661,666 A	5/1972	Foster et al.	4,213,562 A	7/1980	Garrett et al.
3,662,939 A	5/1972	Bryan	4,226,242 A	10/1980	Jarvik
3,685,250 A	8/1972	Henry et al.	4,239,431 A	12/1980	Davini
3,688,966 A	9/1972	Perkins et al.	4,241,861 A	12/1980	Fleischer
3,692,224 A	9/1972	Astafiev et al.	4,244,372 A	1/1981	Kapitanov et al.



# US D975,851 S

4,250,436 A	2/1981	Weissman	4,478,220 A	10/1984	Di Giovanni et al.
4,250,817 A	2/1981	Michel	4,480,641 A	11/1984	Failla et al.
4,261,244 A	4/1981	Becht et al.	4,481,458 A	11/1984	Lane
4,272,002 A	6/1981	Moshofsky	4,483,562 A	11/1984	Schoolman
4,272,662 A	6/1981	Simpson	4,485,816 A	12/1984	Krumme
4,274,304 A	6/1981	Curtiss	4,485,817 A	12/1984	Swiggett
4,274,398 A	6/1981	Scott, Jr.	4,486,928 A	12/1984	Tucker et al.
4,275,813 A	6/1981	Noiles	4,488,523 A	12/1984	Shichman
4,278,091 A	7/1981	Borzzone	4,489,875 A	12/1984	Crawford et al.
4,282,573 A	8/1981	Imai et al.	4,493,983 A	1/1985	Taggart
4,289,131 A	9/1981	Mueller	4,494,057 A	1/1985	Hotta
4,289,133 A	9/1981	Rothfuss	4,499,895 A	2/1985	Takayama
4,290,542 A	9/1981	Fedotov et al.	4,500,024 A	2/1985	DiGiovanni et al.
D261,356 S	10/1981	Robinson	D278,081 S	3/1985	Green
4,293,604 A	10/1981	Campbell	4,503,842 A	3/1985	Takayama
4,296,654 A	10/1981	Mercer	4,505,272 A	3/1985	Utyamyshev et al.
4,296,881 A	10/1981	Lee	4,505,273 A	3/1985	Braun et al.
4,304,236 A	12/1981	Conta et al.	4,505,414 A	3/1985	Filipi
4,305,539 A	12/1981	Korolkov et al.	4,506,671 A	3/1985	Green
4,312,363 A	1/1982	Rothfuss et al.	4,512,038 A	4/1985	Alexander et al.
4,312,685 A	1/1982	Riedl	4,514,477 A	4/1985	Kobayashi
4,317,451 A	3/1982	Cerwin et al.	4,520,817 A	6/1985	Green
4,319,576 A	3/1982	Rothfuss	4,522,327 A	6/1985	Korthoff et al.
4,321,002 A	3/1982	Froehlich	4,526,174 A	7/1985	Froehlich
4,321,746 A	3/1982	Grinage	4,527,724 A	7/1985	Chow et al.
4,328,839 A	5/1982	Lyons et al.	4,530,357 A	7/1985	Pawloski et al.
4,331,277 A	5/1982	Green	4,530,453 A	7/1985	Green
4,340,331 A	7/1982	Savino	4,531,522 A	7/1985	Bedi et al.
4,347,450 A	8/1982	Colligan	4,532,927 A	8/1985	Miksza, Jr.
4,348,603 A	9/1982	Huber	4,540,202 A	9/1985	Amphoux et al.
4,349,028 A	9/1982	Green	4,548,202 A	10/1985	Duncan
4,350,151 A	9/1982	Scott	4,556,058 A	12/1985	Green
4,353,371 A	10/1982	Cosman	4,560,915 A	12/1985	Soultanian
4,357,940 A	11/1982	Muller	4,565,109 A	1/1986	Tsay
4,361,057 A	11/1982	Kochera	4,565,189 A	1/1986	Mabuchi
4,366,544 A	12/1982	Shima et al.	4,566,620 A	1/1986	Green et al.
4,369,013 A	1/1983	Abildgaard et al.	4,569,346 A	2/1986	Poirier
4,373,147 A	2/1983	Carlson, Jr.	4,569,469 A	2/1986	Mongeon et al.
4,376,380 A	3/1983	Burgess	4,571,213 A	2/1986	Ishimoto
4,379,457 A	4/1983	Gravener et al.	4,573,468 A	3/1986	Conta et al.
4,380,312 A	4/1983	Landrus	4,573,469 A	3/1986	Golden et al.
4,382,326 A	5/1983	Rabuse	4,573,622 A	3/1986	Green et al.
4,383,634 A	5/1983	Green	4,576,165 A	3/1986	Green et al.
4,389,963 A	6/1983	Pearson	4,576,167 A	3/1986	Noiles
4,393,728 A	7/1983	Larson et al.	4,580,712 A	4/1986	Green
4,394,613 A	7/1983	Cole	4,585,153 A	4/1986	Failla et al.
4,396,139 A	8/1983	Hall et al.	4,586,501 A	5/1986	Claracq
4,397,311 A	8/1983	Kanshin et al.	4,586,502 A	5/1986	Bedi et al.
4,402,445 A	9/1983	Green	4,589,416 A	5/1986	Green
4,406,621 A	9/1983	Bailey	4,589,582 A	5/1986	Bilotti
4,408,692 A	10/1983	Sigel et al.	4,589,870 A	5/1986	Citrin et al.
4,409,057 A	10/1983	Molenda et al.	4,591,085 A	5/1986	Di Giovanni
4,415,112 A	11/1983	Green	RE32,214 E	7/1986	Schramm
4,416,276 A	11/1983	Newton et al.	4,597,753 A	7/1986	Turley
4,417,890 A	11/1983	Dennehey et al.	4,600,037 A	7/1986	Hatten
4,421,264 A	12/1983	Arter et al.	4,604,786 A	8/1986	Howie, Jr.
4,423,456 A	12/1983	Zaidenweber	4,605,001 A	8/1986	Rothfuss et al.
4,425,915 A	1/1984	Ivanov	4,605,004 A	8/1986	Di Giovanni et al.
4,428,376 A	1/1984	Mericle	4,606,343 A	8/1986	Conta et al.
4,429,695 A	2/1984	Green	4,607,636 A	8/1986	Kula et al.
4,430,997 A	2/1984	DiGiovanni et al.	4,607,638 A	8/1986	Crainich
4,434,796 A	3/1984	Karapetian et al.	4,608,980 A	9/1986	Aihara
4,438,659 A	3/1984	Desplats	4,608,981 A	9/1986	Rothfuss et al.
4,442,964 A	4/1984	Becht	4,610,250 A	9/1986	Green
4,448,194 A	5/1984	DiGiovanni et al.	4,610,383 A	9/1986	Rothfuss et al.
4,451,743 A	5/1984	Suzuki et al.	4,612,933 A	9/1986	Brinkerhoff et al.
4,452,376 A	6/1984	Klieman et al.	D286,180 S	10/1986	Korthoff
4,454,887 A	6/1984	Kruger	D286,442 S	10/1986	Korthoff et al.
4,459,519 A	7/1984	Erdman	4,617,893 A	10/1986	Donner et al.
4,461,305 A	7/1984	Cibley	4,617,914 A	10/1986	Ueda
4,467,805 A	8/1984	Fukuda	4,619,262 A	10/1986	Taylor
4,468,597 A	8/1984	Baumard et al.	4,619,391 A	10/1986	Sharkany et al.
4,469,481 A	9/1984	Kobayashi	4,624,401 A	11/1986	Gassner et al.
4,470,414 A	9/1984	Imagawa et al.	D287,278 S	12/1986	Spreckelmeier
4,471,780 A	9/1984	Menges et al.	4,628,459 A	12/1986	Shinohara et al.
4,471,781 A	9/1984	Di Giovanni et al.	4,628,636 A	12/1986	Folger
4,473,077 A	9/1984	Noiles et al.	4,629,107 A	12/1986	Fedotov et al.
4,475,679 A	10/1984	Fleury, Jr.	4,632,290 A	12/1986	Green et al.
4,476,864 A	10/1984	Tezel	4,633,861 A	1/1987	Chow et al.



# US D975,851 S

Page 4

4,633,874 A	1/1987	Chow et al.	4,827,911 A	5/1989	Broadwin et al.
4,634,419 A	1/1987	Kreizman et al.	4,828,542 A	5/1989	Hermann
4,635,638 A	1/1987	Weintraub et al.	4,828,944 A	5/1989	Yabe et al.
4,641,076 A	2/1987	Linden	4,830,855 A	5/1989	Stewart
4,642,618 A	2/1987	Johnson et al.	4,832,158 A	5/1989	Farrar et al.
4,642,738 A	2/1987	Meller	4,833,937 A	5/1989	Nagano
4,643,173 A	2/1987	Bell et al.	4,834,096 A	5/1989	Oh et al.
4,643,731 A	2/1987	Eckenhoff	4,834,720 A	5/1989	Blinkhorn
4,646,722 A	3/1987	Silverstein et al.	4,838,859 A	6/1989	Strassmann
4,646,745 A	3/1987	Noiles	4,844,068 A	7/1989	Arata et al.
4,651,734 A	3/1987	Doss et al.	4,848,637 A	7/1989	Pruitt
4,652,820 A	3/1987	Maresca	4,856,078 A	8/1989	Konopka
4,654,028 A	3/1987	Suma	4,860,644 A	8/1989	Kohl et al.
4,655,222 A	4/1987	Florez et al.	4,862,891 A	9/1989	Smith
4,662,555 A	5/1987	Thornton	4,863,423 A	9/1989	Wallace
4,663,874 A	5/1987	Sano et al.	4,865,030 A	9/1989	Polyak
4,664,305 A	5/1987	Blake, III et al.	4,868,530 A	9/1989	Ahs
4,665,916 A	5/1987	Green	4,868,958 A	9/1989	Suzuki et al.
4,667,674 A	5/1987	Korthoff et al.	4,869,414 A	9/1989	Green et al.
4,669,647 A	6/1987	Storace	4,869,415 A	9/1989	Fox
4,671,278 A	6/1987	Chin	4,873,977 A	10/1989	Avant et al.
4,671,280 A	6/1987	Dorband et al.	4,875,486 A	10/1989	Rapoport et al.
4,671,445 A	6/1987	Barker et al.	4,880,015 A	11/1989	Nierman
4,672,964 A	6/1987	Dee et al.	4,890,613 A	1/1990	Golden et al.
4,675,944 A	6/1987	Wells	4,892,244 A	1/1990	Fox et al.
4,676,245 A	6/1987	Fukuda	4,893,622 A	1/1990	Green et al.
4,679,460 A	7/1987	Yoshigai	4,894,051 A	1/1990	Shiber
4,679,719 A	7/1987	Kramer	4,896,584 A	1/1990	Stoll et al.
4,684,051 A	8/1987	Akopov et al.	4,896,678 A	1/1990	Ogawa
4,688,555 A	8/1987	Wardle	4,900,303 A	2/1990	Lemelson
4,691,703 A	9/1987	Auth et al.	4,903,697 A	2/1990	Resnick et al.
4,693,248 A	9/1987	Failla	4,909,789 A	3/1990	Taguchi et al.
4,698,579 A	10/1987	Richter et al.	4,915,100 A	4/1990	Green
4,700,703 A	10/1987	Resnick et al.	4,919,679 A	4/1990	Averill et al.
4,705,038 A	11/1987	Sjostrom et al.	4,921,479 A	5/1990	Grayzel
4,708,141 A	11/1987	Inoue et al.	4,925,082 A	5/1990	Kim
4,709,120 A	11/1987	Pearson	4,928,699 A	5/1990	Sasai
4,715,520 A	12/1987	Roehr, Jr. et al.	4,930,503 A	6/1990	Pruitt
4,719,917 A	1/1988	Barrows et al.	4,930,674 A	6/1990	Barak
4,721,099 A	1/1988	Chikama	4,931,047 A	6/1990	Broadwin et al.
4,722,340 A	2/1988	Takayama et al.	4,931,737 A	6/1990	Hishiki
4,724,840 A	2/1988	McVay et al.	4,932,960 A	6/1990	Green et al.
4,727,308 A	2/1988	Huljak et al.	4,933,800 A	6/1990	Yang
4,728,020 A	3/1988	Green et al.	4,933,843 A	6/1990	Scheller et al.
4,728,876 A	3/1988	Mongeon et al.	D309,350 S	7/1990	Sutherland et al.
4,729,260 A	3/1988	Dudden	4,938,408 A	7/1990	Bedi et al.
4,730,726 A	3/1988	Holzwarth	4,941,623 A	7/1990	Pruitt
4,741,336 A	5/1988	Failla et al.	4,943,182 A	7/1990	Hoblingre
4,743,214 A	5/1988	Tai-Cheng	4,944,443 A	7/1990	Odds et al.
4,744,363 A	5/1988	Hasson	4,946,067 A	8/1990	Kelsall
4,747,820 A	5/1988	Hornlein et al.	4,948,327 A	8/1990	Crupi, Jr.
4,750,902 A	6/1988	Wuchinich et al.	4,949,707 A	8/1990	LeVahn et al.
4,752,024 A	6/1988	Green et al.	4,950,268 A	8/1990	Rink
4,754,909 A	7/1988	Barker et al.	4,951,860 A	8/1990	Peters et al.
4,755,070 A	7/1988	Cerutti	4,951,861 A	8/1990	Schulze et al.
4,761,326 A	8/1988	Barnes et al.	4,954,960 A	9/1990	Lo et al.
4,763,669 A	8/1988	Jaeger	4,955,959 A	9/1990	Tompkins et al.
4,767,044 A	8/1988	Green	4,957,212 A	9/1990	Duck et al.
D297,764 S	9/1988	Hunt et al.	4,962,681 A	10/1990	Yang
4,773,420 A	9/1988	Green	4,962,877 A	10/1990	Hervas
4,777,780 A	10/1988	Holzwarth	4,964,559 A	10/1990	Deniega et al.
4,781,186 A	11/1988	Simpson et al.	4,964,863 A	10/1990	Kanshin et al.
4,784,137 A	11/1988	Kulik et al.	4,965,709 A	10/1990	Ngo
4,787,387 A	11/1988	Burbank, III et al.	4,970,656 A	11/1990	Lo et al.
4,788,485 A	11/1988	Kawagishi et al.	4,973,274 A	11/1990	Hirukawa
D298,967 S	12/1988	Hunt	4,973,302 A	11/1990	Armour et al.
4,788,978 A	12/1988	Strekopytov et al.	4,976,173 A	12/1990	Yang
4,790,225 A	12/1988	Moody et al.	4,978,049 A	12/1990	Green
4,790,314 A	12/1988	Weaver	4,978,333 A	12/1990	Broadwin et al.
4,805,617 A	2/1989	Bedi et al.	4,979,952 A	12/1990	Kubota et al.
4,805,823 A	2/1989	Rothfuss	4,984,564 A	1/1991	Yuen
4,807,628 A	2/1989	Peters et al.	4,986,808 A	1/1991	Broadwin et al.
4,809,695 A	3/1989	Gwathmey et al.	4,987,049 A	1/1991	Komamura et al.
4,815,460 A	3/1989	Porat et al.	4,988,334 A	1/1991	Hornlein et al.
4,817,643 A	4/1989	Olson	4,995,877 A	2/1991	Ams et al.
4,817,847 A	4/1989	Redtenbacher et al.	4,995,959 A	2/1991	Metzner
4,819,853 A	4/1989	Green	4,996,975 A	3/1991	Nakamura
4,821,939 A	4/1989	Green	5,001,649 A	3/1991	Lo et al.
4,827,552 A	5/1989	Bojar et al.	5,002,543 A	3/1991	Bradshaw et al.



# US D975,851 S

5,002,553 A	3/1991	Shiber	5,173,133 A	12/1992	Morin et al.
5,005,754 A	4/1991	Van Overloop	5,176,677 A	1/1993	Wuchinich
5,009,222 A	4/1991	Her	5,176,688 A	1/1993	Narayan et al.
5,009,661 A	4/1991	Michelson	5,181,514 A	1/1993	Solomon et al.
5,012,411 A	4/1991	Policastro et al.	5,187,422 A	2/1993	Izenbaard et al.
5,014,898 A	5/1991	Heidrich	5,188,102 A	2/1993	Idemoto et al.
5,014,899 A	5/1991	Presty et al.	5,188,111 A	2/1993	Yates et al.
5,015,227 A	5/1991	Broadwin et al.	5,188,126 A	2/1993	Fabian et al.
5,018,515 A	5/1991	Gilman	5,190,517 A	3/1993	Zieve et al.
5,018,657 A	5/1991	Pedlick et al.	5,190,544 A	3/1993	Chapman et al.
5,024,652 A	6/1991	Dumenek et al.	5,190,560 A	3/1993	Woods et al.
5,024,671 A	6/1991	Tu et al.	5,190,657 A	3/1993	Heagle et al.
5,025,559 A	6/1991	McCullough	5,192,288 A	3/1993	Thompson et al.
5,027,834 A	7/1991	Pruitt	5,193,731 A	3/1993	Aranyi
5,030,226 A	7/1991	Green et al.	5,195,505 A	3/1993	Josefsen
5,031,814 A	7/1991	Tompkins et al.	5,195,968 A	3/1993	Lundquist et al.
5,033,552 A	7/1991	Hu	5,197,648 A	3/1993	Gingold
5,035,040 A	7/1991	Kerrigan et al.	5,197,649 A	3/1993	Bessler et al.
5,037,018 A	8/1991	Matsuda et al.	5,197,966 A	3/1993	Sommerkamp
5,038,109 A	8/1991	Goble et al.	5,197,970 A	3/1993	Green et al.
5,038,247 A	8/1991	Kelley et al.	5,200,280 A	4/1993	Karasa
5,040,715 A	8/1991	Green et al.	5,201,750 A	4/1993	Hocherl et al.
5,042,707 A	8/1991	Taheri	5,205,459 A	4/1993	Brinkerhoff et al.
5,056,953 A	10/1991	Marot et al.	5,207,672 A	5/1993	Roth et al.
5,060,658 A	10/1991	Dejter, Jr. et al.	5,207,697 A	5/1993	Carusillo et al.
5,061,269 A	10/1991	Muller	5,209,747 A	5/1993	Knoepfler
5,062,491 A	11/1991	Takeshima et al.	5,209,756 A	5/1993	Seedhom et al.
5,062,563 A	11/1991	Green et al.	5,211,649 A	5/1993	Kohler et al.
5,065,929 A	11/1991	Schulze et al.	5,211,655 A	5/1993	Hasson
5,071,052 A	12/1991	Rodak et al.	5,217,457 A	6/1993	Delahuerga et al.
5,071,430 A	12/1991	de Salis et al.	5,217,478 A	6/1993	Rexroth
5,074,454 A	12/1991	Peters	5,219,111 A	6/1993	Bilotti et al.
5,077,506 A	12/1991	Krause	5,220,269 A	6/1993	Chen et al.
5,079,006 A	1/1992	Urquhart	5,221,036 A	6/1993	Takase
5,080,556 A	1/1992	Carreno	5,221,281 A	6/1993	Klicek
5,083,695 A	1/1992	Foslien et al.	5,222,945 A	6/1993	Basnight
5,084,057 A	1/1992	Green et al.	5,222,963 A	6/1993	Brinkerhoff et al.
5,088,979 A	2/1992	Filipi et al.	5,222,975 A	6/1993	Crainich
5,088,997 A	2/1992	Delahuerga et al.	5,222,976 A	6/1993	Yoon
5,089,606 A	2/1992	Cole et al.	5,223,675 A	6/1993	Taft
5,094,247 A	3/1992	Hernandez et al.	D338,729 S	8/1993	Sprecklemeier et al.
5,098,004 A	3/1992	Kerrigan	5,234,447 A	8/1993	Kaster et al.
5,098,360 A	3/1992	Hirota	5,236,269 A	8/1993	Handy
5,100,042 A	3/1992	Gravener et al.	5,236,424 A	8/1993	Imran
5,100,420 A	3/1992	Green et al.	5,236,440 A	8/1993	Hlavacek
5,100,422 A	3/1992	Berguer et al.	5,236,629 A	8/1993	Mahabadi et al.
5,104,025 A	4/1992	Main et al.	5,239,981 A	8/1993	Anapliotis
5,104,397 A	4/1992	Vasconcelos et al.	5,240,163 A	8/1993	Stein et al.
5,104,400 A	4/1992	Berguer et al.	5,242,456 A	9/1993	Nash et al.
5,106,008 A	4/1992	Tompkins et al.	5,242,457 A	9/1993	Akopov et al.
5,108,368 A	4/1992	Hammerslag et al.	5,244,462 A	9/1993	Delahuerga et al.
5,109,722 A	5/1992	Hufnagle et al.	5,246,156 A	9/1993	Rothfuss et al.
5,111,987 A	5/1992	Moeinzadeh et al.	5,246,443 A	9/1993	Mai
5,116,349 A	5/1992	Aranyi	5,251,801 A	10/1993	Ruckdeschel et al.
D327,323 S	6/1992	Hunt	5,253,793 A	10/1993	Green et al.
5,119,009 A	6/1992	McCaleb et al.	5,258,007 A	11/1993	Spetzler et al.
5,122,156 A	6/1992	Granger et al.	5,258,008 A	11/1993	Wilk
5,124,990 A	6/1992	Williamson	5,258,009 A	11/1993	Connors
5,129,570 A	7/1992	Schulze et al.	5,258,010 A	11/1993	Green et al.
5,137,198 A	8/1992	Nobis et al.	5,258,012 A	11/1993	Luscombe et al.
5,139,513 A	8/1992	Segato	5,259,366 A	11/1993	Reydel et al.
5,141,144 A	8/1992	Foslien et al.	5,259,835 A	11/1993	Clark et al.
5,142,932 A	9/1992	Moya et al.	5,260,637 A	11/1993	Pizzi
5,151,102 A	9/1992	Kamiyama et al.	5,261,135 A	11/1993	Mitchell
5,155,941 A	10/1992	Takahashi et al.	5,261,877 A	11/1993	Fine et al.
5,156,315 A	10/1992	Green et al.	5,261,922 A	11/1993	Hood
5,156,609 A	10/1992	Nakao et al.	5,263,629 A	11/1993	Trumbull et al.
5,156,614 A	10/1992	Green et al.	5,263,937 A	11/1993	Shipp
5,158,222 A	10/1992	Green et al.	5,263,973 A	11/1993	Cook
5,158,567 A	10/1992	Green	5,264,218 A	11/1993	Rogozinski
D330,699 S	11/1992	Gill	5,268,622 A	12/1993	Philipp
5,163,598 A	11/1992	Peters et al.	5,269,794 A	12/1993	Rexroth
5,164,652 A	11/1992	Johnson et al.	5,271,543 A	12/1993	Grant et al.
5,168,605 A	12/1992	Bartlett	5,271,544 A	12/1993	Fox et al.
5,170,925 A	12/1992	Madden et al.	RE34,519 E	1/1994	Fox et al.
5,171,247 A	12/1992	Hughett et al.	5,275,322 A	1/1994	Brinkerhoff et al.
5,171,249 A	12/1992	Stefanchik et al.	5,275,323 A	1/1994	Schulze et al.
5,171,253 A	12/1992	Klieman	5,275,608 A	1/1994	Forman et al.
5,173,053 A	12/1992	Swanson et al.	5,279,416 A	1/1994	Malec et al.



# US D975,851 S

Page 6

5,281,216 A	1/1994	Klicek	5,355,897 A	10/1994	Pietrafitta et al.
5,281,400 A	1/1994	Berry, Jr.	5,356,006 A	10/1994	Alpern et al.
5,282,806 A	2/1994	Haber et al.	5,356,064 A	10/1994	Green et al.
5,282,826 A	2/1994	Quadri	5,358,506 A	10/1994	Green et al.
5,282,829 A	2/1994	Hermes	5,358,510 A	10/1994	Luscombe et al.
5,284,128 A	2/1994	Hart	5,359,231 A	10/1994	Flowers et al.
5,285,381 A	2/1994	Iskarous et al.	D352,780 S	11/1994	Glaeser et al.
5,285,945 A	2/1994	Brinkerhoff et al.	5,359,993 A	11/1994	Slater et al.
5,286,253 A	2/1994	Fucci	5,360,305 A	11/1994	Kerrigan
5,289,963 A	3/1994	McGarry et al.	5,360,428 A	11/1994	Hutchinson, Jr.
5,290,271 A	3/1994	Jernberg	5,361,902 A	11/1994	Abidin et al.
5,290,310 A	3/1994	Makower et al.	5,364,001 A	11/1994	Bryan
5,291,133 A	3/1994	Gokhale et al.	5,364,002 A	11/1994	Green et al.
5,292,053 A	3/1994	Bilotti et al.	5,364,003 A	11/1994	Williamson, IV
5,293,024 A	3/1994	Sugahara et al.	5,366,133 A	11/1994	Geiste
5,297,714 A	3/1994	Kramer	5,366,134 A	11/1994	Green et al.
5,302,148 A	4/1994	Heinz	5,366,479 A	11/1994	McGarry et al.
5,303,606 A	4/1994	Kokinda	5,368,015 A	11/1994	Wilk
5,304,204 A	4/1994	Bregen	5,368,592 A	11/1994	Stern et al.
D347,474 S	5/1994	Olson	5,368,599 A	11/1994	Hirsch et al.
5,307,976 A	5/1994	Olson et al.	5,369,565 A	11/1994	Chen et al.
5,308,353 A	5/1994	Beurrier	5,370,645 A	12/1994	Klicek et al.
5,308,358 A	5/1994	Bond et al.	5,372,124 A	12/1994	Takayama et al.
5,308,576 A	5/1994	Green et al.	5,372,596 A	12/1994	Klicek et al.
5,309,387 A	5/1994	Mori et al.	5,372,602 A	12/1994	Burke
5,309,927 A	5/1994	Welch	5,374,277 A	12/1994	Hassler
5,312,023 A	5/1994	Green et al.	5,375,588 A	12/1994	Yoon
5,312,024 A	5/1994	Grant et al.	5,376,095 A	12/1994	Ortiz
5,312,329 A	5/1994	Beaty et al.	5,379,933 A	1/1995	Green et al.
5,313,935 A	5/1994	Kortenbach et al.	5,381,649 A	1/1995	Webb
5,313,967 A	5/1994	Lieber et al.	5,381,782 A	1/1995	DeLaRama et al.
5,314,424 A	5/1994	Nicholas	5,381,943 A	1/1995	Allen et al.
5,314,445 A	5/1994	Heidmueller nee Degwitz et al.	5,382,247 A	1/1995	Cimino et al.
5,314,466 A	5/1994	Stern et al.	5,383,460 A	1/1995	Jang et al.
5,318,221 A	6/1994	Green et al.	5,383,874 A	1/1995	Jackson et al.
5,320,627 A	6/1994	Sorensen et al.	5,383,880 A	1/1995	Hooven
D348,930 S	7/1994	Olson	5,383,881 A	1/1995	Green et al.
5,326,013 A	7/1994	Green et al.	5,383,882 A	1/1995	Buess et al.
5,329,923 A	7/1994	Lundquist	5,383,888 A	1/1995	Zvenyatsky et al.
5,330,486 A	7/1994	Wilk	5,383,895 A	1/1995	Holmes et al.
5,330,487 A	7/1994	Thornton et al.	5,388,568 A	2/1995	van der Heide
5,330,502 A	7/1994	Hassler et al.	5,389,072 A	2/1995	Imran
5,331,971 A	7/1994	Bales et al.	5,389,098 A	2/1995	Tsuruta et al.
5,332,142 A	7/1994	Robinson et al.	5,389,102 A	2/1995	Green et al.
5,333,422 A	8/1994	Warren et al.	5,389,104 A	2/1995	Hahnen et al.
5,333,772 A	8/1994	Rothfuss et al.	5,391,180 A	2/1995	Tovey et al.
5,333,773 A	8/1994	Main et al.	5,392,979 A	2/1995	Green et al.
5,334,183 A	8/1994	Wuchinich	5,395,030 A	3/1995	Kuramoto et al.
5,336,130 A	8/1994	Ray	5,395,033 A	3/1995	Byrne et al.
5,336,229 A	8/1994	Noda	5,395,034 A	3/1995	Allen et al.
5,336,232 A	8/1994	Green et al.	5,395,312 A	3/1995	Desai
5,338,317 A	8/1994	Hasson et al.	5,395,384 A	3/1995	Duthoit et al.
5,339,799 A	8/1994	Kami et al.	5,397,046 A	3/1995	Savage et al.
5,341,724 A	8/1994	Vatel	5,397,324 A	3/1995	Carroll et al.
5,341,807 A	8/1994	Nardella	5,400,267 A	3/1995	Denen et al.
5,341,810 A	8/1994	Dardel	5,403,276 A	4/1995	Schechter et al.
5,342,380 A	8/1994	Hood	5,403,312 A	4/1995	Yates et al.
5,342,381 A	8/1994	Tidemand	5,404,106 A	4/1995	Matsuda
5,342,385 A	8/1994	Norelli et al.	5,404,870 A	4/1995	Brinkerhoff et al.
5,342,395 A	8/1994	Jarrett et al.	5,404,960 A	4/1995	Wada et al.
5,342,396 A	8/1994	Cook	5,405,072 A	4/1995	Zlock et al.
5,343,382 A	8/1994	Hale et al.	5,405,073 A	4/1995	Porter
5,343,391 A	8/1994	Mushabac	5,405,344 A	4/1995	Williamson et al.
5,344,059 A	9/1994	Green et al.	5,405,360 A	4/1995	Tovey
5,344,060 A	9/1994	Gravener et al.	5,407,293 A	4/1995	Crainich
5,344,454 A	9/1994	Clarke et al.	5,408,409 A	4/1995	Glassman et al.
5,346,504 A	9/1994	Ortiz et al.	5,409,498 A	4/1995	Braddock et al.
5,348,259 A	9/1994	Blanco et al.	5,409,703 A	4/1995	McAnalley et al.
5,350,104 A	9/1994	Main et al.	D357,981 S	5/1995	Green et al.
5,350,355 A	9/1994	Sklar	5,411,481 A	5/1995	Allen et al.
5,350,388 A	9/1994	Epstein	5,411,508 A	5/1995	Bessler et al.
5,350,391 A	9/1994	Iacovelli	5,413,107 A	5/1995	Oakley et al.
5,350,400 A	9/1994	Esposito et al.	5,413,267 A	5/1995	Solyntjes et al.
5,352,229 A	10/1994	Goble et al.	5,413,268 A	5/1995	Green et al.
5,352,235 A	10/1994	Koros et al.	5,413,272 A	5/1995	Green et al.
5,352,238 A	10/1994	Green et al.	5,413,573 A	5/1995	Koivukangas
5,353,798 A	10/1994	Sieben	5,415,334 A	5/1995	Williamson et al.
5,354,250 A	10/1994	Christensen	5,415,335 A	5/1995	Knodell, Jr.
5,354,303 A	10/1994	Spaeth et al.	5,417,203 A	5/1995	Tovey et al.



# US D975,851 S

5,417,361 A	5/1995	Williamson, IV	5,476,479 A	12/1995	Green et al.
5,419,766 A	5/1995	Chang et al.	5,476,481 A	12/1995	Schondorf
5,421,829 A	6/1995	Olichney et al.	5,478,003 A	12/1995	Green et al.
5,422,567 A	6/1995	Matsunaga	5,478,308 A	12/1995	Cartmell et al.
5,423,471 A	6/1995	Mastri et al.	5,478,354 A	12/1995	Tovey et al.
5,423,809 A	6/1995	Kliccek	5,480,089 A	1/1996	Blewett
5,423,835 A	6/1995	Green et al.	5,480,409 A	1/1996	Riza
5,425,355 A	6/1995	Kulick	5,482,197 A	1/1996	Green et al.
5,425,745 A	6/1995	Green et al.	5,483,952 A	1/1996	Aranyi
5,427,298 A	6/1995	Tegtmeier	5,484,095 A	1/1996	Green et al.
5,431,322 A	7/1995	Green et al.	5,484,398 A	1/1996	Stoddard
5,431,323 A	7/1995	Smith et al.	5,484,451 A	1/1996	Akopov et al.
5,431,645 A	7/1995	Smith et al.	5,485,947 A	1/1996	Olson et al.
5,431,654 A	7/1995	Nic	5,485,952 A	1/1996	Fontayne
5,431,666 A	7/1995	Sauer et al.	5,487,377 A	1/1996	Smith et al.
5,431,668 A	7/1995	Burbank, III et al.	5,487,499 A	1/1996	Sorrentino et al.
5,433,721 A	7/1995	Hooven et al.	5,487,500 A	1/1996	Knodel et al.
5,437,681 A	8/1995	Meade et al.	5,489,058 A	2/1996	Plyley et al.
5,438,302 A	8/1995	Goble	5,489,256 A	2/1996	Adair
5,438,997 A	8/1995	Sieben et al.	5,489,290 A	2/1996	Furnish
5,439,155 A	8/1995	Viola	5,490,819 A	2/1996	Nicholas et al.
5,439,156 A	8/1995	Grant et al.	5,492,671 A	2/1996	Krafft
5,439,479 A	8/1995	Shichman et al.	5,496,312 A	3/1996	Kliccek
5,441,191 A	8/1995	Linden	5,496,317 A	3/1996	Goble et al.
5,441,193 A	8/1995	Gravener	5,497,933 A	3/1996	DeFonzo et al.
5,441,483 A	8/1995	Avitall	5,498,164 A	3/1996	Ward et al.
5,441,494 A	8/1995	Ortiz	5,498,838 A	3/1996	Furman
5,441,499 A	8/1995	Fritzsich	5,501,654 A	3/1996	Failla et al.
5,443,197 A	8/1995	Malis et al.	5,503,320 A	4/1996	Webster et al.
5,443,198 A	8/1995	Viola et al.	5,503,635 A	4/1996	Sauer et al.
5,443,463 A	8/1995	Stern et al.	5,503,638 A	4/1996	Cooper et al.
5,444,113 A	8/1995	Sinclair et al.	5,505,363 A	4/1996	Green et al.
5,445,155 A	8/1995	Sieben	5,507,425 A	4/1996	Ziglioli
5,445,304 A	8/1995	Plyley et al.	5,507,426 A	4/1996	Young et al.
5,445,604 A	8/1995	Lang	5,507,773 A	4/1996	Huitema et al.
5,445,644 A	8/1995	Pietrafitta et al.	5,509,596 A	4/1996	Green et al.
5,446,646 A	8/1995	Miyazaki	5,509,916 A	4/1996	Taylor
5,447,265 A	9/1995	Vidal et al.	5,509,918 A	4/1996	Romano
5,447,417 A	9/1995	Kuhl et al.	5,511,564 A	4/1996	Wilk
5,447,513 A	9/1995	Davison et al.	5,514,129 A	5/1996	Smith
5,449,355 A	9/1995	Rhum et al.	5,514,149 A	5/1996	Green et al.
5,449,365 A	9/1995	Green et al.	5,514,157 A	5/1996	Nicholas et al.
5,449,370 A	9/1995	Vaitekunas	5,518,163 A	5/1996	Hooven
5,452,836 A	9/1995	Huitema et al.	5,518,164 A	5/1996	Hooven
5,452,837 A	9/1995	Williamson, IV et al.	5,520,609 A	5/1996	Moll et al.
5,454,378 A	10/1995	Palmer et al.	5,520,634 A	5/1996	Fox et al.
5,454,822 A	10/1995	Schob et al.	5,520,678 A	5/1996	Heckele et al.
5,454,824 A	10/1995	Fontayne et al.	5,520,700 A	5/1996	Beyar et al.
5,454,827 A	10/1995	Aust et al.	5,522,817 A	6/1996	Sander et al.
5,456,401 A	10/1995	Green et al.	5,522,831 A	6/1996	Sleister et al.
5,456,917 A	10/1995	Wise et al.	5,527,264 A	6/1996	Moll et al.
5,458,279 A	10/1995	Plyley	5,527,320 A	6/1996	Carruthers et al.
5,458,579 A	10/1995	Chodorow et al.	5,529,235 A	6/1996	Boiarski et al.
5,462,215 A	10/1995	Viola et al.	D372,086 S	7/1996	Grasso et al.
5,464,013 A	11/1995	Lemelson	5,531,305 A	7/1996	Roberts et al.
5,464,144 A	11/1995	Guy et al.	5,531,744 A	7/1996	Nardella et al.
5,464,300 A	11/1995	Crainich	5,531,856 A	7/1996	Moll et al.
5,465,819 A	11/1995	Weilant et al.	5,533,521 A	7/1996	Granger
5,465,894 A	11/1995	Clark et al.	5,533,581 A	7/1996	Barth et al.
5,465,895 A	11/1995	Knodel et al.	5,533,661 A	7/1996	Main et al.
5,465,896 A	11/1995	Allen et al.	5,535,934 A	7/1996	Boiarski et al.
5,466,020 A	11/1995	Page et al.	5,535,935 A	7/1996	Vidal et al.
5,467,911 A	11/1995	Tsuruta et al.	5,535,937 A	7/1996	Boiarski et al.
5,468,253 A	11/1995	Bezwada et al.	5,540,375 A	7/1996	Bolanos et al.
5,470,006 A	11/1995	Rodak	5,540,705 A	7/1996	Meade et al.
5,470,007 A	11/1995	Plyley et al.	5,541,376 A	7/1996	Ladtkow et al.
5,470,008 A	11/1995	Rodak	5,541,489 A	7/1996	Dunstan
5,470,009 A	11/1995	Rodak	5,542,594 A	8/1996	McKean et al.
5,470,010 A	11/1995	Rothfuss et al.	5,542,945 A	8/1996	Fritzsich
5,471,129 A	11/1995	Mann	5,542,949 A	8/1996	Yoon
5,472,132 A	12/1995	Savage et al.	5,543,119 A	8/1996	Sutter et al.
5,472,442 A	12/1995	Kliccek	5,543,695 A	8/1996	Culp et al.
5,473,204 A	12/1995	Temple	5,544,802 A	8/1996	Crainich
5,474,057 A	12/1995	Makower et al.	5,547,117 A	8/1996	Hamblin et al.
5,474,223 A	12/1995	Viola et al.	5,549,583 A	8/1996	Sanford et al.
5,474,566 A	12/1995	Alesi et al.	5,549,621 A	8/1996	Bessler et al.
5,474,570 A	12/1995	Kockerling et al.	5,549,627 A	8/1996	Kieturakis
5,474,738 A	12/1995	Nichols et al.	5,549,628 A	8/1996	Cooper et al.
5,476,206 A	12/1995	Green et al.	5,549,637 A	8/1996	Crainich



# US D975,851 S

5,551,622 A	9/1996	Yoon	5,614,887 A	3/1997	Buchbinder
5,553,624 A	9/1996	Francese et al.	5,615,820 A	4/1997	Viola
5,553,675 A	9/1996	Pitzen et al.	5,618,294 A	4/1997	Aust et al.
5,553,765 A	9/1996	Knodel et al.	5,618,303 A	4/1997	Marlow et al.
5,554,148 A	9/1996	Aebischer et al.	5,618,307 A	4/1997	Donlon et al.
5,554,169 A	9/1996	Green et al.	5,619,992 A	4/1997	Guthrie et al.
5,556,020 A	9/1996	Hou	5,620,289 A	4/1997	Curry
5,556,416 A	9/1996	Clark et al.	5,620,326 A	4/1997	Younker
5,558,533 A	9/1996	Hashizawa et al.	5,620,452 A	4/1997	Yoon
5,558,665 A	9/1996	Kieturakis	5,624,398 A	4/1997	Smith et al.
5,558,671 A	9/1996	Yates	5,624,452 A	4/1997	Yates
5,560,530 A	10/1996	Bolanos et al.	5,626,587 A	5/1997	Bishop et al.
5,560,532 A	10/1996	DeFonzo et al.	5,626,595 A	5/1997	Sklar et al.
5,561,881 A	10/1996	Klinger et al.	5,626,979 A	5/1997	Mitsui et al.
5,562,239 A	10/1996	Boiarski et al.	5,628,446 A	5/1997	Geiste et al.
5,562,241 A	10/1996	Knodel et al.	5,628,743 A	5/1997	Cimino
5,562,682 A	10/1996	Oberlin et al.	5,628,745 A	5/1997	Bek
5,562,690 A	10/1996	Green et al.	5,630,539 A	5/1997	Plyley et al.
5,562,694 A	10/1996	Sauer et al.	5,630,540 A	5/1997	Blewett
5,562,701 A	10/1996	Huitema et al.	5,630,541 A	5/1997	Williamson, IV et al.
5,562,702 A	10/1996	Huitema et al.	5,630,782 A	5/1997	Adair
5,563,481 A	10/1996	Krause	5,631,973 A	5/1997	Green
5,564,615 A	10/1996	Bishop et al.	5,632,432 A	5/1997	Schulze et al.
5,569,161 A	10/1996	Ebling et al.	5,632,433 A	5/1997	Grant et al.
5,569,270 A	10/1996	Weng	5,633,374 A	5/1997	Humphrey et al.
5,569,284 A	10/1996	Young et al.	5,634,584 A	6/1997	Okorochoa et al.
5,571,090 A	11/1996	Sherts	5,636,779 A	6/1997	Palmer
5,571,100 A	11/1996	Goble et al.	5,636,780 A	6/1997	Green et al.
5,571,116 A	11/1996	Bolanos et al.	5,637,110 A	6/1997	Pennybacker et al.
5,571,285 A	11/1996	Chow et al.	5,638,582 A	6/1997	Klatt et al.
5,571,488 A	11/1996	Beerstecher et al.	5,639,008 A	6/1997	Gallagher et al.
5,573,169 A	11/1996	Green et al.	D381,077 S	7/1997	Hunt
5,573,543 A	11/1996	Akopov et al.	5,643,291 A	7/1997	Pier et al.
5,574,431 A	11/1996	McKeown et al.	5,643,293 A	7/1997	Kogasaka et al.
5,575,054 A	11/1996	Klinzing et al.	5,643,294 A	7/1997	Tovey et al.
5,575,789 A	11/1996	Bell et al.	5,643,319 A	7/1997	Green et al.
5,575,799 A	11/1996	Bolanos et al.	5,645,209 A	7/1997	Green et al.
5,575,803 A	11/1996	Cooper et al.	5,647,526 A	7/1997	Green et al.
5,575,805 A	11/1996	Li	5,647,869 A	7/1997	Goble et al.
5,577,654 A	11/1996	Bishop	5,649,937 A	7/1997	Bito et al.
5,578,052 A	11/1996	Koros et al.	5,649,956 A	7/1997	Jensen et al.
5,579,978 A	12/1996	Green et al.	5,651,491 A	7/1997	Heaton et al.
5,580,067 A	12/1996	Hamblin et al.	5,651,762 A	7/1997	Bridges
5,582,611 A	12/1996	Tsuruta et al.	5,651,821 A	7/1997	Uchida
5,582,617 A	12/1996	Klieman et al.	5,653,373 A	8/1997	Green et al.
5,582,907 A	12/1996	Pall	5,653,374 A	8/1997	Young et al.
5,583,114 A	12/1996	Barrows et al.	5,653,677 A	8/1997	Okada et al.
5,584,425 A	12/1996	Savage et al.	5,653,721 A	8/1997	Knodel et al.
5,586,711 A	12/1996	Plyley et al.	5,653,748 A	8/1997	Strecker
5,588,579 A	12/1996	Schnut et al.	5,655,698 A	8/1997	Yoon
5,588,580 A	12/1996	Paul et al.	5,656,917 A	8/1997	Theobald
5,588,581 A	12/1996	Conlon et al.	5,657,417 A	8/1997	Di Troia
5,591,170 A	1/1997	Spievack et al.	5,657,429 A	8/1997	Wang et al.
5,591,187 A	1/1997	Dekel	5,657,921 A	8/1997	Young et al.
5,597,107 A	1/1997	Knodel et al.	5,658,238 A	8/1997	Suzuki et al.
5,599,151 A	2/1997	Daum et al.	5,658,281 A	8/1997	Heard
5,599,279 A	2/1997	Slotman et al.	5,658,298 A	8/1997	Vincent et al.
5,599,344 A	2/1997	Paterson	5,658,300 A	8/1997	Bito et al.
5,599,350 A	2/1997	Schulze et al.	5,658,307 A	8/1997	Exconde
5,599,852 A	2/1997	Scopelianos et al.	5,662,258 A	9/1997	Knodel et al.
5,601,224 A	2/1997	Bishop et al.	5,662,260 A	9/1997	Yoon
5,601,573 A	2/1997	Fogelberg et al.	5,662,662 A	9/1997	Bishop et al.
5,601,604 A	2/1997	Vincent	5,662,667 A	9/1997	Knodel
5,602,449 A	2/1997	Krause et al.	5,664,404 A	9/1997	Ivanov et al.
5,603,443 A	2/1997	Clark et al.	5,665,085 A	9/1997	Nardella
5,605,272 A	2/1997	Witt et al.	5,667,517 A	9/1997	Hooven
5,605,273 A	2/1997	Hamblin et al.	5,667,526 A	9/1997	Levin
5,607,094 A	3/1997	Clark et al.	5,667,527 A	9/1997	Cook
5,607,095 A	3/1997	Smith et al.	5,667,864 A	9/1997	Landoll
5,607,433 A	3/1997	Polla et al.	5,669,544 A	9/1997	Schulze et al.
5,607,436 A	3/1997	Pratt et al.	5,669,904 A	9/1997	Platt, Jr. et al.
5,607,450 A	3/1997	Zvenyatsky et al.	5,669,907 A	9/1997	Platt, Jr. et al.
5,607,474 A	3/1997	Athanasidou et al.	5,669,918 A	9/1997	Balazs et al.
5,609,285 A	3/1997	Grant et al.	5,672,945 A	9/1997	Krause
5,609,601 A	3/1997	Kolesa et al.	5,673,840 A	10/1997	Schulze et al.
5,611,709 A	3/1997	McAnulty	5,673,841 A	10/1997	Schulze et al.
5,613,499 A	3/1997	Palmer et al.	5,673,842 A	10/1997	Bittner et al.
5,613,937 A	3/1997	Garrison et al.	5,674,184 A	10/1997	Hassler, Jr.
5,613,966 A	3/1997	Makower et al.	5,674,286 A	10/1997	D'Alessio et al.



# US D975,851 S

Page 9

5,678,748 A	10/1997	Plyley et al.	5,749,889 A	5/1998	Bacich et al.
5,680,981 A	10/1997	Mililli et al.	5,749,893 A	5/1998	Vidal et al.
5,680,982 A	10/1997	Schulze et al.	5,749,896 A	5/1998	Cook
5,680,983 A	10/1997	Plyley et al.	5,749,968 A	5/1998	Melanson et al.
5,681,341 A	10/1997	Lunsford et al.	5,752,644 A	5/1998	Bolanos et al.
5,683,349 A	11/1997	Makower et al.	5,752,965 A	5/1998	Francis et al.
5,685,474 A	11/1997	Seeber	5,752,970 A	5/1998	Yoon
5,686,090 A	11/1997	Schilder et al.	5,752,973 A	5/1998	Kieturakis
5,688,270 A	11/1997	Yates et al.	5,755,717 A	5/1998	Yates et al.
5,690,269 A	11/1997	Bolanos et al.	5,755,726 A	5/1998	Pratt et al.
5,690,675 A	11/1997	Sawyer et al.	5,758,814 A	6/1998	Gallagher et al.
5,692,668 A	12/1997	Schulze et al.	5,762,255 A	6/1998	Chrisman et al.
5,693,020 A	12/1997	Rauh	5,762,256 A	6/1998	Mastri et al.
5,693,042 A	12/1997	Boiarski et al.	5,762,458 A	6/1998	Wang et al.
5,693,051 A	12/1997	Schulze et al.	5,765,565 A	6/1998	Adair
5,695,494 A	12/1997	Becker	5,766,186 A	6/1998	Faraz et al.
5,695,502 A	12/1997	Pier et al.	5,766,188 A	6/1998	Igaki
5,695,504 A	12/1997	Gifford, III et al.	5,766,205 A	6/1998	Zvenyatsky et al.
5,695,524 A	12/1997	Kelley et al.	5,769,303 A	6/1998	Knodel et al.
5,697,542 A	12/1997	Knodel et al.	5,769,640 A	6/1998	Jacobus et al.
5,697,543 A	12/1997	Burdorff	5,769,748 A	6/1998	Eyerly et al.
5,697,909 A	12/1997	Eggers et al.	5,769,791 A	6/1998	Benaron et al.
5,697,943 A	12/1997	Sauer et al.	5,769,892 A	6/1998	Kingwell
5,700,270 A	12/1997	Peysen et al.	5,772,099 A	6/1998	Gravener
5,700,276 A	12/1997	Benecke	5,772,379 A	6/1998	Evensen
5,702,387 A	12/1997	Arts et al.	5,772,578 A	6/1998	Heimberger et al.
5,702,408 A	12/1997	Wales et al.	5,772,659 A	6/1998	Becker et al.
5,702,409 A	12/1997	Rayburn et al.	5,773,991 A	6/1998	Chen
5,704,087 A	1/1998	Strub	5,776,130 A	7/1998	Buysse et al.
5,704,534 A	1/1998	Huitema et al.	5,778,939 A	7/1998	Hok-Yin
5,706,997 A	1/1998	Green et al.	5,779,130 A	7/1998	Alesi et al.
5,706,998 A	1/1998	Plyley et al.	5,779,131 A	7/1998	Knodel et al.
5,707,392 A	1/1998	Kortenbach	5,779,132 A	7/1998	Knodel et al.
5,709,334 A	1/1998	Sorrentino et al.	5,782,396 A	7/1998	Mastri et al.
5,709,335 A	1/1998	Heck	5,782,397 A	7/1998	Koukline
5,709,680 A	1/1998	Yates et al.	5,782,748 A	7/1998	Palmer et al.
5,709,706 A	1/1998	Kienzle et al.	5,782,749 A	7/1998	Riza
5,711,472 A	1/1998	Bryan	5,782,859 A	7/1998	Nicholas et al.
5,711,960 A	1/1998	Shikinami	5,784,934 A	7/1998	Izumisawa
5,712,460 A	1/1998	Carr et al.	5,785,232 A	7/1998	Vidal et al.
5,713,128 A	2/1998	Schrenk et al.	5,785,647 A	7/1998	Tompkins et al.
5,713,505 A	2/1998	Huitema	5,787,897 A	8/1998	Kieturakis
5,713,895 A	2/1998	Lontine et al.	5,791,231 A	8/1998	Cohn et al.
5,713,896 A	2/1998	Nardella	5,792,135 A	8/1998	Madhani et al.
5,713,920 A	2/1998	Bezwada et al.	5,792,162 A	8/1998	Jolly et al.
5,715,604 A	2/1998	Lanzoni	5,792,165 A	8/1998	Klieman et al.
5,715,836 A	2/1998	Kliegis et al.	5,792,573 A	8/1998	Pitzen et al.
5,715,987 A	2/1998	Kelley et al.	5,794,834 A	8/1998	Hamblin et al.
5,715,988 A	2/1998	Palmer	5,796,188 A	8/1998	Bays
5,716,352 A	2/1998	Viola et al.	5,797,536 A	8/1998	Smith et al.
5,716,366 A	2/1998	Yates	5,797,537 A	8/1998	Oberlin et al.
5,718,359 A	2/1998	Palmer et al.	5,797,538 A	8/1998	Heaton et al.
5,718,360 A	2/1998	Green et al.	5,797,637 A	8/1998	Ervin
5,718,548 A	2/1998	Cotellessa	5,797,900 A	8/1998	Madhani et al.
5,718,714 A	2/1998	Livneh	5,797,906 A	8/1998	Rhum et al.
5,720,744 A	2/1998	Eggleston et al.	5,797,927 A	8/1998	Yoon
D393,067 S	3/1998	Geary et al.	5,797,941 A	8/1998	Schulze et al.
5,724,025 A	3/1998	Tavori	5,797,959 A	8/1998	Castro et al.
5,725,536 A	3/1998	Oberlin et al.	5,799,857 A	9/1998	Robertson et al.
5,725,554 A	3/1998	Simon et al.	5,800,379 A	9/1998	Edwards
5,728,110 A	3/1998	Vidal et al.	5,800,423 A	9/1998	Jensen
5,728,113 A	3/1998	Sherts	5,804,726 A	9/1998	Geib et al.
5,728,121 A	3/1998	Bimbo et al.	5,804,936 A	9/1998	Brodsky et al.
5,730,758 A	3/1998	Allgeyer	5,806,676 A	9/1998	Wasgien
5,732,712 A	3/1998	Adair	5,807,241 A	9/1998	Heimberger
5,732,821 A	3/1998	Stone et al.	5,807,376 A	9/1998	Viola et al.
5,732,871 A	3/1998	Clark et al.	5,807,378 A	9/1998	Jensen et al.
5,732,872 A	3/1998	Bolduc et al.	5,807,393 A	9/1998	Williamson, IV et al.
5,733,308 A	3/1998	Daugherty et al.	5,809,441 A	9/1998	McKee
5,735,445 A	4/1998	Vidal et al.	5,810,240 A	9/1998	Robertson
5,735,848 A	4/1998	Yates et al.	5,810,721 A	9/1998	Mueller et al.
5,735,874 A	4/1998	Measamer et al.	5,810,811 A	9/1998	Yates et al.
5,736,271 A	4/1998	Cisar et al.	5,810,846 A	9/1998	Virnich et al.
5,738,474 A	4/1998	Blewett	5,810,855 A	9/1998	Rayburn et al.
5,738,629 A	4/1998	Moll et al.	5,812,188 A	9/1998	Adair
5,738,648 A	4/1998	Lands et al.	5,813,813 A	9/1998	Daum et al.
5,741,271 A	4/1998	Nakao et al.	5,814,055 A	9/1998	Knodel et al.
5,743,456 A	4/1998	Jones et al.	5,814,057 A	9/1998	Oi et al.
5,747,953 A	5/1998	Philipp	5,816,471 A	10/1998	Plyley et al.



# US D975,851 S

5,817,084 A	10/1998	Jensen	5,911,353 A	6/1999	Bolanos et al.
5,817,091 A	10/1998	Nardella et al.	5,915,616 A	6/1999	Viola et al.
5,817,093 A	10/1998	Williamson, IV et al.	5,916,225 A	6/1999	Kugel
5,817,109 A	10/1998	McGarry et al.	5,918,791 A	7/1999	Sorrentino et al.
5,817,119 A	10/1998	Klieman et al.	5,919,198 A	7/1999	Graves, Jr. et al.
5,820,009 A	10/1998	Melling et al.	5,921,956 A	7/1999	Grinberg et al.
5,823,066 A	10/1998	Huitema et al.	5,924,864 A	7/1999	Loge et al.
5,824,333 A	10/1998	Scopelianos et al.	5,928,137 A	7/1999	Green
5,826,776 A	10/1998	Schulze et al.	5,928,256 A	7/1999	Riza
5,827,271 A	10/1998	Buysse et al.	5,931,847 A	8/1999	Bittner et al.
5,827,298 A	10/1998	Hart et al.	5,931,853 A	8/1999	McEwen et al.
5,827,323 A	10/1998	Klieman et al.	5,937,951 A	8/1999	Izuchukwu et al.
5,829,662 A	11/1998	Allen et al.	5,938,667 A	8/1999	Peysen et al.
5,830,598 A	11/1998	Patterson	5,941,442 A	8/1999	Geiste et al.
5,833,690 A	11/1998	Yates et al.	5,941,890 A	8/1999	Voegele et al.
5,833,695 A	11/1998	Yoon	5,944,172 A	8/1999	Hannula
5,833,696 A	11/1998	Whitfield et al.	5,944,715 A	8/1999	Goble et al.
5,836,503 A	11/1998	Ehrenfels et al.	5,946,978 A	9/1999	Yamashita
5,836,960 A	11/1998	Kolesa et al.	5,947,984 A	9/1999	Whipple
5,839,369 A	11/1998	Chatterjee et al.	5,947,996 A	9/1999	Logeman
5,839,639 A	11/1998	Sauer et al.	5,948,030 A	9/1999	Miller et al.
5,841,284 A	11/1998	Takahashi	5,948,429 A	9/1999	Bell et al.
5,843,021 A	12/1998	Edwards et al.	5,951,301 A	9/1999	Younker
5,843,096 A	12/1998	Igaki et al.	5,951,516 A	9/1999	Bunyan
5,843,097 A	12/1998	Mayenberger et al.	5,951,552 A	9/1999	Long et al.
5,843,122 A	12/1998	Riza	5,951,574 A	9/1999	Stefanchik et al.
5,843,132 A	12/1998	Ilvento	5,951,575 A	9/1999	Bolduc et al.
5,843,169 A	12/1998	Taheri	5,951,581 A	9/1999	Saadat et al.
5,846,254 A	12/1998	Schulze et al.	5,954,259 A	9/1999	Viola et al.
5,847,566 A	12/1998	Marritt et al.	5,957,831 A	9/1999	Adair
5,849,011 A	12/1998	Jones et al.	5,964,394 A	10/1999	Robertson
5,849,020 A	12/1998	Long et al.	5,964,774 A	10/1999	McKean et al.
5,849,023 A	12/1998	Mericle	5,966,126 A	10/1999	Szabo
5,851,179 A	12/1998	Ritson et al.	5,971,916 A	10/1999	Koren
5,851,212 A	12/1998	Zirps et al.	5,973,221 A	10/1999	Collyer et al.
5,853,366 A	12/1998	Dowlatshahi	D416,089 S	11/1999	Barton et al.
5,855,311 A	1/1999	Hamblin et al.	5,976,122 A	11/1999	Madhani et al.
5,855,583 A	1/1999	Wang et al.	5,977,746 A	11/1999	Hershberger et al.
5,860,581 A	1/1999	Robertson et al.	5,980,248 A	11/1999	Kusakabe et al.
5,860,975 A	1/1999	Goble et al.	5,984,949 A	11/1999	Levin
5,865,361 A	2/1999	Milliman et al.	5,988,479 A	11/1999	Palmer
5,865,638 A	2/1999	Trafton	5,990,379 A	11/1999	Gregory
5,868,361 A	2/1999	Rinderer	5,993,466 A	11/1999	Yoon
5,868,664 A	2/1999	Speier et al.	5,997,528 A	12/1999	Bisch et al.
5,868,760 A	2/1999	McGuckin, Jr.	5,997,552 A	12/1999	Person et al.
5,868,790 A	2/1999	Vincent et al.	6,001,108 A	12/1999	Wang et al.
5,871,135 A	2/1999	Williamson, IV et al.	6,003,517 A	12/1999	Sheffield et al.
5,873,885 A	2/1999	Weidenbenner	6,004,319 A	12/1999	Goble et al.
5,876,401 A	3/1999	Schulze et al.	6,004,335 A	12/1999	Vaitekunas et al.
5,878,193 A	3/1999	Wang et al.	6,007,521 A	12/1999	Bidwell et al.
5,878,607 A	3/1999	Nunes et al.	6,010,054 A	1/2000	Johnson et al.
5,878,937 A	3/1999	Green et al.	6,010,513 A	1/2000	Tormala et al.
5,878,938 A	3/1999	Bittner et al.	6,010,520 A	1/2000	Pattison
5,881,777 A	3/1999	Bassi et al.	6,012,494 A	1/2000	Balazs
5,881,943 A	3/1999	Heck et al.	6,013,076 A	1/2000	Goble et al.
5,891,094 A	4/1999	Masterson et al.	6,013,991 A	1/2000	Philipp
5,891,160 A	4/1999	Williamson, IV et al.	6,015,406 A	1/2000	Goble et al.
5,891,558 A	4/1999	Bell et al.	6,015,417 A	1/2000	Reynolds, Jr.
5,893,506 A	4/1999	Powell	6,017,322 A	1/2000	Snoke et al.
5,893,835 A	4/1999	Witt et al.	6,017,354 A	1/2000	Culp et al.
5,893,878 A	4/1999	Pierce	6,017,356 A	1/2000	Frederick et al.
5,894,979 A	4/1999	Powell	6,018,227 A	1/2000	Kumar et al.
5,897,552 A	4/1999	Edwards et al.	6,019,745 A	2/2000	Gray
5,897,562 A	4/1999	Bolanos et al.	6,019,780 A	2/2000	Lombardo et al.
5,899,824 A	5/1999	Kurtz et al.	6,022,352 A	2/2000	Vandewalle
5,899,914 A	5/1999	Zirps et al.	6,023,641 A	2/2000	Thompson
5,901,895 A	5/1999	Heaton et al.	6,024,708 A	2/2000	Bales et al.
5,902,312 A	5/1999	Frater et al.	6,024,741 A	2/2000	Williamson, IV et al.
5,903,117 A	5/1999	Gregory	6,024,748 A	2/2000	Manzo et al.
5,904,647 A	5/1999	Ouchi	6,024,750 A	2/2000	Mastri et al.
5,904,693 A	5/1999	Dicesare et al.	6,024,764 A	2/2000	Schroepel
5,904,702 A	5/1999	Ek et al.	6,027,501 A	2/2000	Goble et al.
5,906,577 A	5/1999	Beane et al.	6,030,384 A	2/2000	Nezhat
5,906,625 A	5/1999	Bito et al.	6,032,849 A	3/2000	Mastri et al.
5,907,211 A	5/1999	Hall et al.	6,033,105 A	3/2000	Barker et al.
5,907,664 A	5/1999	Wang et al.	6,033,378 A	3/2000	Lundquist et al.
5,908,402 A	6/1999	Blythe	6,033,399 A	3/2000	Gines
5,908,427 A	6/1999	McKean et al.	6,033,427 A	3/2000	Lee
5,909,062 A	6/1999	Krietzman	6,036,641 A	3/2000	Taylor et al.



# US D975,851 S

Page 11

6,036,667 A	3/2000	Manna et al.	6,126,058 A	10/2000	Adams et al.
6,037,724 A	3/2000	Buss et al.	6,126,359 A	10/2000	Dittrich et al.
6,037,927 A	3/2000	Rosenberg	6,126,670 A	10/2000	Walker et al.
6,039,126 A	3/2000	Hsieh	6,131,789 A	10/2000	Schulze et al.
6,039,733 A	3/2000	Buysse et al.	6,131,790 A	10/2000	Piraka
6,039,734 A	3/2000	Goble	6,132,368 A	10/2000	Cooper
6,042,601 A	3/2000	Smith	6,134,962 A	10/2000	Sugitani
6,042,607 A	3/2000	Williamson, IV et al.	6,139,546 A	10/2000	Koenig et al.
6,043,626 A	3/2000	Snyder et al.	6,142,149 A	11/2000	Steen
6,045,560 A	4/2000	McKean et al.	6,142,933 A	11/2000	Longo et al.
6,047,861 A	4/2000	Vidal et al.	6,147,135 A	11/2000	Yuan et al.
6,049,145 A	4/2000	Austin et al.	6,149,660 A	11/2000	Laufer et al.
6,050,172 A	4/2000	Corves et al.	6,151,323 A	11/2000	O'Connell et al.
6,050,472 A	4/2000	Shibata	6,152,935 A	11/2000	Kammerer et al.
6,050,989 A	4/2000	Fox et al.	6,155,473 A	12/2000	Tompkins et al.
6,050,990 A	4/2000	Tankovich et al.	6,156,056 A	12/2000	Kearns et al.
6,050,996 A	4/2000	Schmaltz et al.	6,157,169 A	12/2000	Lee
6,053,390 A	4/2000	Green et al.	6,159,146 A	12/2000	El Gazayerli
6,053,899 A	4/2000	Slanda et al.	6,159,200 A	12/2000	Verdura et al.
6,053,922 A	4/2000	Krause et al.	6,159,224 A	12/2000	Yoon
6,054,142 A	4/2000	Li et al.	6,162,208 A	12/2000	Hipps
6,055,062 A	4/2000	Dina et al.	6,162,220 A	12/2000	Nezhat
RE36,720 E	5/2000	Green et al.	6,162,537 A	12/2000	Martin et al.
6,056,735 A	5/2000	Okada et al.	6,165,175 A	12/2000	Wampler et al.
6,056,746 A	5/2000	Goble et al.	6,165,184 A	12/2000	Verdura et al.
6,059,806 A	5/2000	Hoegerle	6,165,188 A	12/2000	Saadat et al.
6,062,360 A	5/2000	Shields	6,167,185 A	12/2000	Smiley et al.
6,063,020 A	5/2000	Jones et al.	6,168,605 B1	1/2001	Measamer et al.
6,063,025 A	5/2000	Bridges et al.	6,171,305 B1	1/2001	Sherman
6,063,050 A	5/2000	Manna et al.	6,171,316 B1	1/2001	Kovac et al.
6,063,095 A	5/2000	Wang et al.	6,171,330 B1	1/2001	Benchetrit
6,063,097 A	5/2000	Oi et al.	6,173,074 B1	1/2001	Russo
6,063,098 A	5/2000	Houser et al.	6,174,308 B1	1/2001	Goble et al.
6,065,679 A	5/2000	Levie et al.	6,174,309 B1	1/2001	Wrublewski et al.
6,065,919 A	5/2000	Peck	6,174,318 B1	1/2001	Bates et al.
6,066,132 A	5/2000	Chen et al.	6,175,290 B1	1/2001	Forsythe et al.
6,066,151 A	5/2000	Miyawaki et al.	6,179,195 B1	1/2001	Adams et al.
6,068,627 A	5/2000	Orszulak et al.	6,179,776 B1	1/2001	Adams et al.
6,071,233 A	6/2000	Ishikawa et al.	6,181,105 B1	1/2001	Cutolo et al.
6,072,299 A	6/2000	Kurle et al.	6,182,673 B1	2/2001	Kindermann et al.
6,074,386 A	6/2000	Goble et al.	6,185,356 B1	2/2001	Parker et al.
6,074,401 A	6/2000	Gardiner et al.	6,186,142 B1	2/2001	Schmidt et al.
6,075,441 A	6/2000	Maloney	6,186,957 B1	2/2001	Milam
6,077,280 A	6/2000	Fossum	6,187,003 B1	2/2001	Buysse et al.
6,077,286 A	6/2000	Cuschieri et al.	6,190,386 B1	2/2001	Rydell
6,077,290 A	6/2000	Marini	6,193,129 B1	2/2001	Bittner et al.
6,079,606 A	6/2000	Milliman et al.	6,197,042 B1	3/2001	Ginn et al.
6,080,181 A	6/2000	Jensen et al.	6,200,311 B1	3/2001	Danek et al.
6,082,577 A	7/2000	Coates et al.	6,200,330 B1	3/2001	Benderev et al.
6,083,191 A	7/2000	Rose	6,202,914 B1	3/2001	Geiste et al.
6,083,223 A	7/2000	Baker	6,206,894 B1	3/2001	Thompson et al.
6,083,234 A	7/2000	Nicholas et al.	6,206,897 B1	3/2001	Jamiolkowski et al.
6,083,242 A	7/2000	Cook	6,206,903 B1	3/2001	Ramans
6,086,544 A	7/2000	Hibner et al.	6,206,904 B1	3/2001	Ouchi
6,086,600 A	7/2000	Kortenbach	6,209,414 B1	4/2001	Uneme
6,090,106 A	7/2000	Goble et al.	6,210,403 B1	4/2001	Klicek
6,090,123 A	7/2000	Culp et al.	6,211,626 B1	4/2001	Lys et al.
6,093,186 A	7/2000	Goble	6,213,999 B1	4/2001	Platt, Jr. et al.
6,094,021 A	7/2000	Noro et al.	6,214,028 B1	4/2001	Yoon et al.
D429,252 S	8/2000	Haitani et al.	6,220,368 B1	4/2001	Ark et al.
6,099,537 A	8/2000	Sugai et al.	6,221,007 B1	4/2001	Green
6,099,551 A	8/2000	Gabbay	6,221,023 B1	4/2001	Matsuba et al.
6,102,271 A	8/2000	Longo et al.	6,223,100 B1	4/2001	Green
6,102,926 A	8/2000	Tartaglia et al.	6,223,835 B1	5/2001	Habedank et al.
6,104,162 A	8/2000	Sainsbury et al.	6,224,617 B1	5/2001	Saadat et al.
6,104,304 A	8/2000	Clark et al.	6,228,080 B1	5/2001	Gines
6,106,511 A	8/2000	Jensen	6,228,081 B1	5/2001	Goble
6,109,500 A	8/2000	Alli et al.	6,228,083 B1	5/2001	Lands et al.
6,110,187 A	8/2000	Donlon	6,228,084 B1	5/2001	Kirwan, Jr.
6,113,618 A	9/2000	Nic	6,228,089 B1	5/2001	Wahrburg
6,117,148 A	9/2000	Ravo et al.	6,228,098 B1	5/2001	Kayan et al.
6,117,158 A	9/2000	Measamer et al.	6,231,565 B1	5/2001	Tovey et al.
6,119,913 A	9/2000	Adams et al.	6,234,178 B1	5/2001	Goble et al.
6,120,433 A	9/2000	Mizuno et al.	6,235,036 B1	5/2001	Gardner et al.
6,120,462 A	9/2000	Hibner et al.	6,237,604 B1	5/2001	Burnside et al.
6,123,241 A	9/2000	Walter et al.	6,238,384 B1	5/2001	Peer
6,123,701 A	9/2000	Nezhat	6,241,139 B1	6/2001	Milliman et al.
H1904 H	10/2000	Yates et al.	6,241,140 B1	6/2001	Adams et al.
RE36,923 E	10/2000	Hiroi et al.	6,241,723 B1	6/2001	Heim et al.



# US D975,851 S

6,245,084 B1	6/2001	Mark et al.	6,383,201 B1	5/2002	Dong
6,248,116 B1	6/2001	Chevillon et al.	6,387,092 B1	5/2002	Burnside et al.
6,248,117 B1	6/2001	Blatter	6,387,113 B1	5/2002	Hawkins et al.
6,249,076 B1	6/2001	Madden et al.	6,387,114 B2	5/2002	Adams
6,249,105 B1	6/2001	Andrews et al.	6,391,038 B2	5/2002	Vargas et al.
6,250,532 B1	6/2001	Green et al.	6,392,854 B1	5/2002	O'Gorman
6,251,485 B1	6/2001	Harris et al.	6,394,998 B1	5/2002	Wallace et al.
D445,745 S	7/2001	Norman	6,398,779 B1	6/2002	Buysse et al.
6,254,534 B1	7/2001	Butler et al.	6,398,781 B1	6/2002	Goble et al.
6,254,619 B1	7/2001	Garabet et al.	6,398,797 B2	6/2002	Bombard et al.
6,254,642 B1	7/2001	Taylor	6,402,766 B2	6/2002	Bowman et al.
6,258,107 B1	7/2001	Balazs et al.	6,402,780 B2	6/2002	Williamson, IV et al.
6,261,246 B1	7/2001	Pantages et al.	6,406,440 B1	6/2002	Stefanchik
6,261,286 B1	7/2001	Goble et al.	6,406,472 B1	6/2002	Jensen
6,261,679 B1	7/2001	Chen et al.	6,409,724 B1	6/2002	Penny et al.
6,264,086 B1	7/2001	McGuckin, Jr.	H2037 H	7/2002	Yates et al.
6,264,087 B1	7/2001	Whitman	6,412,639 B1	7/2002	Hickey
6,264,617 B1	7/2001	Bales et al.	6,413,274 B1	7/2002	Pedros
6,269,997 B1	8/2001	Balazs et al.	6,415,542 B1	7/2002	Bates et al.
6,270,508 B1	8/2001	Klieman et al.	6,416,486 B1	7/2002	Wampler
6,270,916 B1	8/2001	Sink et al.	6,416,509 B1	7/2002	Goble et al.
6,273,252 B1	8/2001	Mitchell	6,419,695 B1	7/2002	Gabbay
6,273,876 B1	8/2001	Klima et al.	6,423,079 B1	7/2002	Blake, III
6,273,897 B1	8/2001	Dalessandro et al.	6,424,885 B1	7/2002	Niemeyer et al.
6,277,114 B1	8/2001	Bullivant et al.	RE37,814 E	8/2002	Allgeyer
6,280,407 B1	8/2001	Manna et al.	6,428,070 B1	8/2002	Takanashi et al.
6,283,981 B1	9/2001	Beaupre	6,428,487 B1	8/2002	Burdorff et al.
6,293,927 B1	9/2001	McGuckin, Jr.	6,429,611 B1	8/2002	Li
6,293,942 B1	9/2001	Goble et al.	6,430,298 B1	8/2002	Kettl et al.
6,296,640 B1	10/2001	Wampler et al.	6,432,065 B1	8/2002	Burdorff et al.
6,302,311 B1	10/2001	Adams et al.	6,436,097 B1	8/2002	Nardella
6,302,743 B1	10/2001	Chiu et al.	6,436,107 B1	8/2002	Wang et al.
6,305,891 B1	10/2001	Burlingame	6,436,110 B2	8/2002	Bowman et al.
6,306,134 B1	10/2001	Goble et al.	6,436,115 B1	8/2002	Beaupre
6,306,149 B1	10/2001	Meade	6,436,122 B1	8/2002	Frank et al.
6,306,424 B1	10/2001	Vyakarnam et al.	6,439,439 B1	8/2002	Rickard et al.
6,309,397 B1	10/2001	Julian et al.	6,439,446 B1	8/2002	Perry et al.
6,309,400 B2	10/2001	Beaupre	6,440,146 B2	8/2002	Nicholas et al.
6,309,403 B1	10/2001	Minor et al.	6,441,577 B2	8/2002	Blumenkranz et al.
6,312,435 B1	11/2001	Wallace et al.	D462,758 S	9/2002	Epstein et al.
6,315,184 B1	11/2001	Whitman	6,443,973 B1	9/2002	Whitman
6,317,616 B1	11/2001	Glossop	6,445,530 B1	9/2002	Baker
6,319,510 B1	11/2001	Yates	6,447,518 B1	9/2002	Krause et al.
6,320,123 B1	11/2001	Reimers	6,447,523 B1	9/2002	Middleman et al.
6,322,494 B1	11/2001	Bullivant et al.	6,447,799 B1	9/2002	Ullman
6,324,339 B1	11/2001	Hudson et al.	6,447,864 B2	9/2002	Johnson et al.
6,325,799 B1	12/2001	Goble	6,450,391 B1	9/2002	Kayan et al.
6,325,805 B1	12/2001	Ogilvie et al.	6,450,989 B2	9/2002	Dubrul et al.
6,325,810 B1	12/2001	Hamilton et al.	6,454,781 B1	9/2002	Witt et al.
6,328,498 B1	12/2001	Mersch	6,457,338 B1	10/2002	Frenken
6,330,965 B1	12/2001	Milliman et al.	6,457,625 B1	10/2002	Tormala et al.
6,331,181 B1	12/2001	Tierney et al.	6,458,077 B1	10/2002	Boebel et al.
6,331,761 B1	12/2001	Kumar et al.	6,458,142 B1	10/2002	Faller et al.
6,333,029 B1	12/2001	Vyakarnam et al.	6,458,147 B1	10/2002	Cruise et al.
6,334,860 B1	1/2002	Dorn	6,460,627 B1	10/2002	Below et al.
6,334,861 B1	1/2002	Chandler et al.	6,468,275 B1	10/2002	Wampler et al.
6,336,926 B1	1/2002	Goble	6,468,286 B2	10/2002	Mastri et al.
6,338,737 B1	1/2002	Toledano	6,471,106 B1	10/2002	Reining
6,343,731 B1	2/2002	Adams et al.	6,471,659 B2	10/2002	Eggers et al.
6,346,077 B1	2/2002	Taylor et al.	6,478,210 B2	11/2002	Adams et al.
6,348,061 B1	2/2002	Whitman	6,482,063 B1	11/2002	Frigard
6,349,868 B1	2/2002	Mattingly et al.	6,482,200 B2	11/2002	Shippert
D454,951 S	3/2002	Bon	6,482,217 B1	11/2002	Pintor et al.
6,352,503 B1	3/2002	Matsui et al.	6,485,490 B2	11/2002	Wampler et al.
6,352,532 B1	3/2002	Kramer et al.	6,485,503 B2	11/2002	Jacobs et al.
6,355,699 B1	3/2002	Vyakarnam et al.	6,485,667 B1	11/2002	Tan
6,356,072 B1	3/2002	Chass	6,486,286 B1	11/2002	McGall et al.
6,358,224 B1	3/2002	Tims et al.	6,488,196 B1	12/2002	Fenton, Jr.
6,358,263 B2	3/2002	Mark et al.	6,488,197 B1	12/2002	Whitman
6,358,459 B1	3/2002	Ziegler et al.	6,488,659 B1	12/2002	Rosenman
6,361,542 B1	3/2002	Dimitriu et al.	6,491,201 B1	12/2002	Whitman
6,364,828 B1	4/2002	Yeung et al.	6,491,690 B1	12/2002	Goble et al.
6,364,877 B1	4/2002	Goble et al.	6,491,701 B2	12/2002	Tierney et al.
6,364,888 B1	4/2002	Niemeyer et al.	6,491,702 B2	12/2002	Heilbrun et al.
6,366,441 B1	4/2002	Ozawa et al.	6,492,785 B1	12/2002	Kasten et al.
6,370,981 B2	4/2002	Watarai	6,494,882 B1	12/2002	Lebouitz et al.
6,371,114 B1	4/2002	Schmidt et al.	6,494,885 B1	12/2002	Dhindsa
6,373,152 B1	4/2002	Wang et al.	6,494,888 B1	12/2002	Laufer et al.
6,377,011 B1	4/2002	Ben-Ur	6,494,896 B1	12/2002	D'Alessio et al.



# US D975,851 S

6,498,480	B1	12/2002	Manara	6,599,323	B2	7/2003	Melican et al.
6,500,176	B1	12/2002	Truckai et al.	D478,665	S	8/2003	Isaacs et al.
6,500,189	B1	12/2002	Lang et al.	D478,986	S	8/2003	Johnston et al.
6,500,194	B2	12/2002	Benderev et al.	6,601,749	B2	8/2003	Sullivan et al.
D468,749	S	1/2003	Friedman	6,602,252	B2	8/2003	Mollenauer
6,503,139	B2	1/2003	Coral	6,602,262	B2	8/2003	Griego et al.
6,503,257	B2	1/2003	Grant et al.	6,603,050	B2	8/2003	Heaton
6,503,259	B2	1/2003	Huxel et al.	6,605,078	B2	8/2003	Adams
6,505,768	B2	1/2003	Whitman	6,605,669	B2	8/2003	Awokola et al.
6,506,197	B1	1/2003	Rollero et al.	6,605,911	B1	8/2003	Klesing
6,506,399	B2	1/2003	Donovan	6,607,475	B2	8/2003	Doyle et al.
6,510,854	B2	1/2003	Goble	6,611,793	B1	8/2003	Burnside et al.
6,511,468	B1	1/2003	Cragg et al.	6,613,069	B2	9/2003	Boyd et al.
6,512,360	B1	1/2003	Goto et al.	6,616,686	B2	9/2003	Coleman et al.
6,514,252	B2	2/2003	Nezhat et al.	6,619,529	B2	9/2003	Green et al.
6,516,073	B1	2/2003	Schulz et al.	6,620,111	B2	9/2003	Stephens et al.
6,517,528	B1	2/2003	Pantages et al.	6,620,161	B2	9/2003	Schulze et al.
6,517,535	B2	2/2003	Edwards	6,620,166	B1	9/2003	Wenstrom, Jr. et al.
6,517,565	B1	2/2003	Whitman et al.	6,625,517	B1	9/2003	Bogdanov et al.
6,517,566	B1	2/2003	Hovland et al.	6,626,834	B2	9/2003	Dunne et al.
6,520,971	B1	2/2003	Perry et al.	6,626,938	B1	9/2003	Butaric et al.
6,520,972	B2	2/2003	Peters	H2086	H	10/2003	Amsler
6,522,101	B2	2/2003	Malackowski	6,629,630	B2	10/2003	Adams
6,524,180	B1	2/2003	Simms et al.	6,629,974	B2	10/2003	Penny et al.
6,525,499	B2	2/2003	Naganuma	6,629,988	B2	10/2003	Weadock
D471,206	S	3/2003	Buzzard et al.	6,635,838	B1	10/2003	Kornelson
6,527,782	B2	3/2003	Hogg et al.	6,636,412	B2	10/2003	Smith
6,527,785	B2	3/2003	Sancoff et al.	6,638,108	B2	10/2003	Tachi
6,530,942	B2	3/2003	Fogarty et al.	6,638,285	B2	10/2003	Gabbay
6,532,958	B1	3/2003	Buan et al.	6,638,297	B1	10/2003	Huitema
6,533,157	B1	3/2003	Whitman	RE38,335	E	11/2003	Aust et al.
6,533,723	B1	3/2003	Lockery et al.	6,641,528	B2	11/2003	Torii
6,533,784	B2	3/2003	Truckai et al.	6,644,532	B2	11/2003	Green et al.
6,535,764	B2	3/2003	Imran et al.	6,645,201	B1	11/2003	Utley et al.
6,539,297	B2	3/2003	Weiberle et al.	6,646,307	B1	11/2003	Yu et al.
D473,239	S	4/2003	Cockerill	6,648,816	B2	11/2003	Irion et al.
6,539,816	B2	4/2003	Kogiso et al.	6,648,901	B2	11/2003	Fleischman et al.
6,540,737	B2	4/2003	Bacher et al.	6,652,595	B1	11/2003	Nicolo
6,543,456	B1	4/2003	Freeman	D484,243	S	12/2003	Ryan et al.
6,545,384	B1	4/2003	Pelrine et al.	D484,595	S	12/2003	Ryan et al.
6,547,786	B1	4/2003	Goble	D484,596	S	12/2003	Ryan et al.
6,550,546	B2	4/2003	Thurler et al.	6,656,177	B2	12/2003	Truckai et al.
6,551,333	B2	4/2003	Kuhns et al.	6,656,193	B2	12/2003	Grant et al.
6,554,844	B2	4/2003	Lee et al.	6,659,940	B2	12/2003	Adler
6,554,861	B2	4/2003	Knox et al.	6,660,008	B1	12/2003	Foerster et al.
6,555,770	B2	4/2003	Kawase	6,663,623	B1	12/2003	Oyama et al.
6,558,378	B2	5/2003	Sherman et al.	6,663,641	B1	12/2003	Kovac et al.
6,558,379	B1	5/2003	Batchelor et al.	6,666,854	B1	12/2003	Lange
6,558,429	B2	5/2003	Taylor	6,666,860	B1	12/2003	Takahashi
6,561,187	B2	5/2003	Schmidt et al.	6,666,875	B1	12/2003	Sakurai et al.
6,565,560	B1	5/2003	Goble et al.	6,667,825	B2	12/2003	Lu et al.
6,566,619	B2	5/2003	Gillman et al.	6,669,073	B2	12/2003	Milliman et al.
6,569,085	B2	5/2003	Kortenbach et al.	6,670,806	B2	12/2003	Wendt et al.
6,569,171	B2	5/2003	DeGuillebon et al.	6,671,185	B2	12/2003	Duval
6,569,173	B1	5/2003	Slatter et al.	D484,977	S	1/2004	Ryan et al.
6,572,629	B2	6/2003	Kaloo et al.	6,676,660	B2	1/2004	Wampler et al.
6,578,751	B2	6/2003	Hartwick	6,677,687	B2	1/2004	Ho et al.
6,582,364	B2	6/2003	Butler et al.	6,679,269	B2	1/2004	Swanson
6,582,427	B1	6/2003	Goble et al.	6,679,410	B2	1/2004	Wursch et al.
6,582,441	B1	6/2003	He et al.	6,681,978	B2	1/2004	Geiste et al.
6,583,533	B2	6/2003	Pelrine et al.	6,681,979	B2	1/2004	Whitman
6,585,144	B2	7/2003	Adams et al.	6,682,527	B2	1/2004	Strul
6,585,664	B2	7/2003	Burdorff et al.	6,682,528	B2	1/2004	Frazier et al.
6,586,898	B2	7/2003	King et al.	6,682,544	B2	1/2004	Mastri et al.
6,587,750	B2	7/2003	Gerbi et al.	6,685,698	B2	2/2004	Morley et al.
6,588,277	B2	7/2003	Giordano et al.	6,685,727	B2	2/2004	Fisher et al.
6,588,643	B2	7/2003	Bolduc et al.	6,689,153	B1	2/2004	Skiba
6,588,931	B2	7/2003	Betzner et al.	6,692,507	B2	2/2004	Pugsley et al.
6,589,118	B1	7/2003	Soma et al.	6,692,692	B2	2/2004	Stetzel
6,589,164	B1	7/2003	Flaherty	6,695,198	B2	2/2004	Adams et al.
6,592,538	B1	7/2003	Hotchkiss et al.	6,695,199	B2	2/2004	Whitman
6,592,572	B1	7/2003	Suzuta	6,695,774	B2	2/2004	Hale et al.
6,592,597	B2	7/2003	Grant et al.	6,695,849	B2	2/2004	Michelson
6,594,552	B1	7/2003	Nowlin et al.	6,696,814	B2	2/2004	Henderson et al.
6,595,914	B2	7/2003	Kato	6,697,048	B2	2/2004	Rosenberg et al.
6,596,296	B1	7/2003	Nelson et al.	6,698,643	B2	3/2004	Whitman
6,596,304	B1	7/2003	Bayon et al.	6,699,177	B1	3/2004	Wang et al.
6,596,432	B2	7/2003	Kawakami et al.	6,699,214	B2	3/2004	Gellman
6,599,295	B1	7/2003	Tornier et al.	6,699,235	B2	3/2004	Wallace et al.



# US D975,851 S

Page 14

6,704,210 B1	3/2004	Myers	6,806,808 B1	10/2004	Watters et al.
6,705,503 B1	3/2004	Pedicini et al.	6,806,867 B1	10/2004	Arruda et al.
6,709,445 B2	3/2004	Boebel et al.	6,808,525 B2	10/2004	Latterell et al.
6,712,773 B1	3/2004	Viola	6,810,359 B2	10/2004	Sakaguchi
6,716,215 B1	4/2004	David et al.	6,814,154 B2	11/2004	Chou
6,716,223 B2	4/2004	Leopold et al.	6,814,741 B2	11/2004	Bowman et al.
6,716,232 B1	4/2004	Vidal et al.	6,817,508 B1	11/2004	Racenet et al.
6,716,233 B1	4/2004	Whitman	6,817,509 B2	11/2004	Geiste et al.
6,720,734 B2	4/2004	Norris	6,817,974 B2	11/2004	Cooper et al.
6,722,550 B1	4/2004	Ricordi et al.	6,818,018 B1	11/2004	Sawhney
6,722,552 B2	4/2004	Fenton, Jr.	6,820,791 B2	11/2004	Adams
6,723,087 B2	4/2004	O'Neill et al.	6,821,273 B2	11/2004	Mollenauer
6,723,091 B2	4/2004	Goble et al.	6,821,282 B2	11/2004	Perry et al.
6,723,106 B1	4/2004	Charles et al.	6,821,284 B2	11/2004	Sturtz et al.
6,723,109 B2	4/2004	Solingen	6,827,246 B2	12/2004	Sullivan et al.
6,726,651 B1	4/2004	Robinson et al.	6,827,712 B2	12/2004	Tovey et al.
6,726,697 B2	4/2004	Nicholas et al.	6,827,725 B2	12/2004	Batchelor et al.
6,726,705 B2	4/2004	Peterson et al.	6,828,902 B2	12/2004	Casden
6,726,706 B2	4/2004	Dominguez	6,830,174 B2	12/2004	Hillstead et al.
6,729,119 B2	5/2004	Schnipke et al.	6,831,629 B2	12/2004	Nishino et al.
6,731,976 B2	5/2004	Penn et al.	6,832,998 B2	12/2004	Goble
6,736,810 B2	5/2004	Hoey et al.	6,834,001 B2	12/2004	Myono
6,736,825 B2	5/2004	Blatter et al.	6,835,173 B2	12/2004	Couvillon, Jr.
6,736,854 B2	5/2004	Vadurro et al.	6,835,199 B2	12/2004	McGuckin, Jr. et al.
6,740,030 B2	5/2004	Martone et al.	6,835,336 B2	12/2004	Watt
6,743,230 B2	6/2004	Lutze et al.	6,836,611 B2	12/2004	Popovic et al.
6,744,385 B2	6/2004	Kazuya et al.	6,837,846 B2	1/2005	Jaffe et al.
6,747,121 B2	6/2004	Gogolewski	6,837,883 B2	1/2005	Moll et al.
6,747,300 B2	6/2004	Nadd et al.	6,838,493 B2	1/2005	Williams et al.
6,749,560 B1	6/2004	Konstorum et al.	6,840,423 B2	1/2005	Adams et al.
6,749,600 B1	6/2004	Levy	6,840,938 B1	1/2005	Morley et al.
6,752,768 B2	6/2004	Burdorff et al.	6,841,967 B2	1/2005	Kim et al.
6,752,816 B2	6/2004	Culp et al.	6,843,403 B2	1/2005	Whitman
6,754,959 B1	6/2004	Guiette, III et al.	6,843,789 B2	1/2005	Goble
6,755,195 B1	6/2004	Lemke et al.	6,843,793 B2	1/2005	Brock et al.
6,755,338 B2	6/2004	Hahnen et al.	6,846,307 B2	1/2005	Whitman et al.
6,755,825 B2	6/2004	Shoenman et al.	6,846,308 B2	1/2005	Whitman et al.
6,755,843 B2	6/2004	Chung et al.	6,846,309 B2	1/2005	Whitman et al.
6,756,705 B2	6/2004	Pulford, Jr.	6,847,190 B2	1/2005	Schaefer et al.
6,758,846 B2	7/2004	Goble et al.	6,849,071 B2	2/2005	Whitman et al.
6,761,685 B2	7/2004	Adams et al.	6,850,817 B1	2/2005	Green
6,762,339 B1	7/2004	Klun et al.	6,852,122 B2	2/2005	Rush
6,763,307 B2	7/2004	Berg et al.	6,852,330 B2	2/2005	Bowman et al.
6,764,445 B2	7/2004	Ramans et al.	6,853,879 B2	2/2005	Sunaoshi
6,766,957 B2	7/2004	Matsuura et al.	6,858,005 B2	2/2005	Ohline et al.
6,767,352 B2	7/2004	Field et al.	6,859,882 B2	2/2005	Fung
6,767,356 B2	7/2004	Kanner et al.	RE38,708 E	3/2005	Bolanos et al.
6,769,590 B2	8/2004	Vresh et al.	D502,994 S	3/2005	Blake, III
6,769,594 B2	8/2004	Orban, III	6,861,142 B1	3/2005	Wilkie et al.
6,770,027 B2	8/2004	Banik et al.	6,861,954 B2	3/2005	Levin
6,770,070 B1	8/2004	Balbierz	6,863,668 B2	3/2005	Gillespie et al.
6,770,072 B1	8/2004	Truckai et al.	6,863,694 B1	3/2005	Boyce et al.
6,770,078 B2	8/2004	Bonutti	6,863,924 B2	3/2005	Ranganathan et al.
6,773,409 B2	8/2004	Truckai et al.	6,866,178 B2	3/2005	Adams et al.
6,773,437 B2	8/2004	Ogilvie et al.	6,866,668 B2	3/2005	Giannetti et al.
6,773,438 B1	8/2004	Knodel et al.	6,866,671 B2	3/2005	Tierney et al.
6,775,575 B2	8/2004	Bommannan et al.	6,867,248 B1	3/2005	Martin et al.
6,777,838 B2	8/2004	Miekka et al.	6,869,430 B2	3/2005	Balbierz et al.
6,778,846 B1	8/2004	Martinez et al.	6,869,435 B2	3/2005	Blake, III
6,780,151 B2	8/2004	Grabover et al.	6,872,214 B2	3/2005	Sonnenschein et al.
6,780,180 B1	8/2004	Goble et al.	6,874,669 B2	4/2005	Adams et al.
6,783,524 B2	8/2004	Anderson et al.	6,876,850 B2	4/2005	Maeshima et al.
6,784,775 B2	8/2004	Mandell et al.	6,877,647 B2	4/2005	Green et al.
6,786,382 B1	9/2004	Hoffman	6,878,106 B1	4/2005	Herrmann
6,786,864 B2	9/2004	Matsuura et al.	6,882,127 B2	4/2005	Konigbauer
6,786,896 B1	9/2004	Madhani et al.	6,883,199 B1	4/2005	Lundell et al.
6,788,018 B1	9/2004	Blumenkranz	6,884,392 B2	4/2005	Malkin et al.
6,790,173 B2	9/2004	Saadat et al.	6,884,428 B2	4/2005	Binette et al.
6,793,652 B1	9/2004	Whitman et al.	6,886,730 B2	5/2005	Fujisawa et al.
6,793,661 B2	9/2004	Hamilton et al.	6,887,244 B1	5/2005	Walker et al.
6,793,663 B2	9/2004	Kneifel et al.	6,887,710 B2	5/2005	Call et al.
6,793,669 B2	9/2004	Nakamura et al.	6,889,116 B2	5/2005	Jinno
6,796,921 B1	9/2004	Buck et al.	6,893,435 B2	5/2005	Goble
6,799,669 B2	10/2004	Fukumura et al.	6,894,140 B2	5/2005	Roby
6,801,009 B2	10/2004	Makaran et al.	6,895,176 B2	5/2005	Archer et al.
6,802,822 B1	10/2004	Dodge	6,899,538 B2	5/2005	Matoba
6,802,843 B2	10/2004	Truckai et al.	6,899,593 B1	5/2005	Moeller et al.
6,802,844 B2	10/2004	Ferree	6,899,705 B2	5/2005	Niemeyer
6,805,273 B2	10/2004	Bilotti et al.	6,899,915 B2	5/2005	Yelick et al.



# US D975,851 S

6,905,057 B2	6/2005	Swayze et al.	6,998,736 B2	2/2006	Lee et al.
6,905,497 B2	6/2005	Truckai et al.	6,998,816 B2	2/2006	Wieck et al.
6,905,498 B2	6/2005	Hooven	6,999,821 B2	2/2006	Jenney et al.
6,908,472 B2	6/2005	Wiener et al.	7,000,818 B2	2/2006	Shelton, IV et al.
6,911,033 B2	6/2005	de Guillebon et al.	7,000,819 B2	2/2006	Swayze et al.
6,911,916 B1	6/2005	Wang et al.	7,000,911 B2	2/2006	McCormick et al.
6,913,579 B2	7/2005	Truckai et al.	7,001,380 B2	2/2006	Goble
6,913,608 B2	7/2005	Liddicoat et al.	7,001,408 B2	2/2006	Knodel et al.
6,913,613 B2	7/2005	Schwarz et al.	7,004,174 B2	2/2006	Eggers et al.
6,921,397 B2	7/2005	Corcoran et al.	7,005,828 B2	2/2006	Karikomi
6,921,412 B1	7/2005	Black et al.	7,007,176 B2	2/2006	Goodfellow et al.
6,923,093 B2	8/2005	Ullah	7,008,433 B2	3/2006	Voellmicke et al.
6,923,803 B2	8/2005	Goble	7,008,435 B2	3/2006	Cummins
6,923,819 B2	8/2005	Meade et al.	7,009,039 B2	3/2006	Yayon et al.
6,925,849 B2	8/2005	Jairam	7,011,213 B2	3/2006	Clark et al.
6,926,716 B2	8/2005	Baker et al.	7,011,657 B2	3/2006	Truckai et al.
6,927,315 B1	8/2005	Heinecke et al.	7,014,640 B2	3/2006	Kemppainen et al.
6,928,902 B1	8/2005	Eyssallenne	7,018,357 B2	3/2006	Emmons
6,929,641 B2	8/2005	Goble et al.	7,018,390 B2	3/2006	Turovskiy et al.
6,929,644 B2	8/2005	Truckai et al.	7,021,399 B2	4/2006	Driessen
6,931,830 B2	8/2005	Liao	7,021,669 B1	4/2006	Lindermeir et al.
6,932,218 B2	8/2005	Kosann et al.	7,022,131 B1	4/2006	Derowe et al.
6,932,810 B2	8/2005	Ryan	7,023,159 B2	4/2006	Gorti et al.
6,936,042 B2	8/2005	Wallace et al.	7,025,064 B2	4/2006	Wang et al.
6,936,948 B2	8/2005	Bell et al.	7,025,732 B2	4/2006	Thompson et al.
D509,297 S	9/2005	Wells	7,025,743 B2	4/2006	Mann et al.
D509,589 S	9/2005	Wells	7,025,774 B2	4/2006	Freeman et al.
6,938,706 B2	9/2005	Ng	7,025,775 B2	4/2006	Gadberry et al.
6,939,358 B2	9/2005	Palacios et al.	7,028,570 B2	4/2006	Ohta et al.
6,942,662 B2	9/2005	Goble et al.	7,029,435 B2	4/2006	Nakao
6,942,674 B2	9/2005	Belef et al.	7,029,439 B2	4/2006	Roberts et al.
6,945,444 B2	9/2005	Gresham et al.	7,030,904 B2	4/2006	Adair et al.
6,945,981 B2	9/2005	Donofrio et al.	7,032,798 B2	4/2006	Whitman et al.
6,949,196 B2	9/2005	Schmitz et al.	7,032,799 B2	4/2006	Viola et al.
6,951,562 B2	10/2005	Zwirnmann	7,033,356 B2	4/2006	Latterell et al.
6,953,138 B1	10/2005	Dworak et al.	7,033,378 B2	4/2006	Smith et al.
6,953,139 B2	10/2005	Milliman et al.	7,035,716 B2	4/2006	Harris et al.
6,953,461 B2	10/2005	McClurken et al.	7,035,762 B2	4/2006	Menard et al.
6,957,758 B2	10/2005	Aranyi	7,036,680 B1	5/2006	Flannery
6,958,035 B2	10/2005	Friedman et al.	7,037,314 B2	5/2006	Armstrong
D511,525 S	11/2005	Hernandez et al.	7,037,344 B2	5/2006	Kagan et al.
6,959,851 B2	11/2005	Heinrich	7,038,421 B2	5/2006	Trifilo
6,959,852 B2	11/2005	Shelton, IV et al.	7,041,088 B2	5/2006	Nawrocki et al.
6,960,107 B1	11/2005	Schaub et al.	7,041,102 B2	5/2006	Truckai et al.
6,960,163 B2	11/2005	Ewers et al.	7,041,868 B2	5/2006	Greene et al.
6,960,220 B2	11/2005	Marino et al.	7,043,852 B2	5/2006	Hayashida et al.
6,962,587 B2	11/2005	Johnson et al.	7,044,350 B2	5/2006	Kameyama et al.
6,963,792 B1	11/2005	Green	7,044,352 B2	5/2006	Shelton, IV et al.
6,964,363 B2	11/2005	Wales et al.	7,044,353 B2	5/2006	Mastri et al.
6,966,907 B2	11/2005	Goble	7,046,082 B2	5/2006	Komiya et al.
6,966,909 B2	11/2005	Marshall et al.	7,048,165 B2	5/2006	Haramiishi
6,968,908 B2	11/2005	Tokunaga et al.	7,048,687 B1	5/2006	Reuss et al.
6,969,385 B2	11/2005	Moreyra	7,048,716 B1	5/2006	Kucharczyk et al.
6,969,395 B2	11/2005	Eskuri	7,048,745 B2	5/2006	Tierney et al.
6,971,988 B2	12/2005	Orban, III	7,052,454 B2	5/2006	Taylor
6,972,199 B2	12/2005	Lebouitz et al.	7,052,494 B2	5/2006	Goble et al.
6,974,435 B2	12/2005	Daw et al.	7,052,499 B2	5/2006	Steger et al.
6,974,462 B2	12/2005	Sater	7,055,730 B2	6/2006	Ehrenfels et al.
6,978,921 B2	12/2005	Shelton, IV et al.	7,055,731 B2	6/2006	Shelton, IV et al.
6,978,922 B2	12/2005	Bilotti et al.	7,056,123 B2	6/2006	Gregorio et al.
6,981,628 B2	1/2006	Wales	7,056,284 B2	6/2006	Martone et al.
6,981,941 B2	1/2006	Whitman et al.	7,056,330 B2	6/2006	Gayton
6,981,978 B2	1/2006	Gannoe	7,059,331 B2	6/2006	Adams et al.
6,984,203 B2	1/2006	Tartaglia et al.	7,059,508 B2	6/2006	Shelton, IV et al.
6,984,231 B2	1/2006	Goble et al.	7,063,671 B2	6/2006	Couvillon, Jr.
6,986,451 B1	1/2006	Mastri et al.	7,063,712 B2	6/2006	Vargas et al.
6,988,649 B2	1/2006	Shelton, IV et al.	7,064,509 B1	6/2006	Fu et al.
6,988,650 B2	1/2006	Schwemberger et al.	7,066,879 B2	6/2006	Fowler et al.
6,989,034 B2	1/2006	Hammer et al.	7,066,944 B2	6/2006	Laufer et al.
6,990,731 B2	1/2006	Haytayan	7,067,038 B2	6/2006	Trokhon et al.
6,990,796 B2	1/2006	Schnipke et al.	7,070,083 B2	7/2006	Jankowski
6,991,146 B2	1/2006	Sinisi et al.	7,070,559 B2	7/2006	Adams et al.
6,993,200 B2	1/2006	Tastl et al.	7,070,597 B2	7/2006	Truckai et al.
6,993,413 B2	1/2006	Sunaoshi	7,071,287 B2	7/2006	Rhine et al.
6,994,708 B2	2/2006	Manzo	7,075,412 B1	7/2006	Reynolds et al.
6,995,729 B2	2/2006	Govari et al.	7,075,770 B1	7/2006	Smith
6,996,433 B2	2/2006	Burbank et al.	7,077,856 B2	7/2006	Whitman
6,997,931 B2	2/2006	Sauer et al.	7,080,769 B2	7/2006	Vresh et al.
6,997,935 B2	2/2006	Anderson et al.	7,081,114 B2	7/2006	Rashidi



# US D975,851 S

7,081,318 B2	7/2006	Lee et al.	7,150,748 B2	12/2006	Ebbutt et al.
7,083,073 B2	8/2006	Yoshie et al.	7,153,300 B2	12/2006	Goble
7,083,075 B2	8/2006	Swayze et al.	7,153,314 B2	12/2006	Laufer et al.
7,083,571 B2	8/2006	Wang et al.	7,155,316 B2	12/2006	Sutherland et al.
7,083,615 B2	8/2006	Peterson et al.	7,156,863 B2	1/2007	Sonnenschein et al.
7,083,619 B2	8/2006	Truckai et al.	7,159,750 B2	1/2007	Racenet et al.
7,083,620 B2	8/2006	Jahns et al.	7,160,296 B2	1/2007	Pearson et al.
7,083,626 B2	8/2006	Hart et al.	7,160,299 B2	1/2007	Baily
7,086,267 B2	8/2006	Dworak et al.	7,160,311 B2	1/2007	Blatter et al.
7,087,049 B2	8/2006	Nowlin et al.	7,161,036 B2	1/2007	Oikawa et al.
7,087,054 B2	8/2006	Truckai et al.	7,161,580 B2	1/2007	Bailey et al.
7,087,071 B2	8/2006	Nicholas et al.	7,162,758 B2	1/2007	Skinner
7,090,637 B2	8/2006	Danitz et al.	7,163,563 B2	1/2007	Schwartz et al.
7,090,673 B2	8/2006	Dycus et al.	7,166,117 B2	1/2007	Hellenkamp
7,090,683 B2	8/2006	Brock et al.	7,166,133 B2	1/2007	Evans et al.
7,090,684 B2	8/2006	McGuckin, Jr. et al.	7,168,604 B2	1/2007	Milliman et al.
7,091,191 B2	8/2006	Laredo et al.	7,170,910 B2	1/2007	Chen et al.
7,091,412 B2	8/2006	Wang et al.	7,171,279 B2	1/2007	Buckingham et al.
7,093,492 B2	8/2006	Treiber et al.	7,172,104 B2	2/2007	Scirica et al.
7,094,202 B2	8/2006	Nobis et al.	7,172,593 B2	2/2007	Trieu et al.
7,094,247 B2	8/2006	Monassevitch et al.	7,172,615 B2	2/2007	Morriss et al.
7,094,916 B2	8/2006	DeLuca et al.	7,174,202 B2	2/2007	Bladen et al.
7,096,972 B2	8/2006	Orozco, Jr.	7,174,636 B2	2/2007	Lowe
7,097,089 B2	8/2006	Marczyk	7,177,533 B2	2/2007	McFarlin et al.
7,097,644 B2	8/2006	Long	7,179,223 B2	2/2007	Motoki et al.
7,097,650 B2	8/2006	Weller et al.	7,179,267 B2	2/2007	Nolan et al.
7,098,794 B2	8/2006	Lindsay et al.	7,182,239 B1	2/2007	Myers
7,100,949 B2	9/2006	Williams et al.	7,182,763 B2	2/2007	Nardella
7,101,187 B1	9/2006	Deconinck et al.	7,183,737 B2	2/2007	Kitagawa
7,101,371 B2	9/2006	Dycus et al.	7,187,960 B2	3/2007	Abreu
7,101,394 B2	9/2006	Hamm et al.	7,188,758 B2	3/2007	Viola et al.
7,104,741 B2	9/2006	Krohn	7,189,207 B2	3/2007	Viola
7,108,695 B2	9/2006	Witt et al.	7,190,147 B2	3/2007	Gileff et al.
7,108,701 B2	9/2006	Evens et al.	7,193,199 B2	3/2007	Jang
7,108,709 B2	9/2006	Cummins	7,195,627 B2	3/2007	Amoah et al.
7,111,768 B2	9/2006	Cummins et al.	7,196,911 B2	3/2007	Takano et al.
7,111,769 B2	9/2006	Wales et al.	D541,418 S	4/2007	Schechter et al.
7,112,214 B2	9/2006	Peterson et al.	7,197,965 B1	4/2007	Anderson
RE39,358 E	10/2006	Goble	7,199,537 B2	4/2007	Okamura et al.
D530,339 S	10/2006	Hernandez et al.	7,199,545 B2	4/2007	Oleynikov et al.
7,114,642 B2	10/2006	Whitman	7,202,576 B1	4/2007	Dechene et al.
7,116,100 B1	10/2006	Mock et al.	7,202,653 B2	4/2007	Pai
7,118,020 B2	10/2006	Lee et al.	7,204,404 B2	4/2007	Nguyen et al.
7,118,528 B1	10/2006	Piskun	7,204,835 B2	4/2007	Latterell et al.
7,118,563 B2	10/2006	Weckwerth et al.	7,205,959 B2	4/2007	Henriksson
7,118,582 B1	10/2006	Wang et al.	7,206,626 B2	4/2007	Quaid, III
7,119,534 B2	10/2006	Butzmann	7,207,233 B2	4/2007	Wadge
7,121,446 B2	10/2006	Arad et al.	7,207,471 B2	4/2007	Heinrich et al.
7,121,773 B2	10/2006	Mikiya et al.	7,207,472 B2	4/2007	Wukusick et al.
7,122,028 B2	10/2006	Looper et al.	7,207,556 B2	4/2007	Saitoh et al.
7,125,403 B2	10/2006	Julian et al.	7,208,005 B2	4/2007	Frecker et al.
7,125,409 B2	10/2006	Truckai et al.	7,210,609 B2	5/2007	Leiboff et al.
7,126,303 B2	10/2006	Farritor et al.	7,211,081 B2	5/2007	Goble
7,126,879 B2	10/2006	Snyder	7,211,084 B2	5/2007	Goble et al.
7,128,253 B2	10/2006	Mastri et al.	7,211,092 B2	5/2007	Hughett
7,128,254 B2	10/2006	Shelton, IV et al.	7,211,979 B2	5/2007	Khatib et al.
7,128,748 B2	10/2006	Mooradian et al.	7,213,736 B2	5/2007	Wales et al.
7,131,445 B2	11/2006	Amoah	7,214,224 B2	5/2007	Goble
7,133,601 B2	11/2006	Phillips et al.	7,215,517 B2	5/2007	Takamatsu
7,134,364 B2	11/2006	Kageler et al.	7,217,285 B2	5/2007	Vargas et al.
7,134,587 B2	11/2006	Schwemberger et al.	7,220,260 B2	5/2007	Fleming et al.
7,135,027 B2	11/2006	Delmotte	7,220,272 B2	5/2007	Weadock
7,137,980 B2	11/2006	Buysse et al.	7,225,959 B2	6/2007	Patton et al.
7,137,981 B2	11/2006	Long	7,225,963 B2	6/2007	Scirica
7,139,016 B2	11/2006	Squilla et al.	7,225,964 B2	6/2007	Mastri et al.
7,140,527 B2	11/2006	Ehrenfels et al.	7,226,450 B2	6/2007	Athanasidou et al.
7,140,528 B2	11/2006	Shelton, IV	7,226,467 B2	6/2007	Lucatero et al.
7,141,055 B2	11/2006	Abrams et al.	7,228,505 B2	6/2007	Shimazu et al.
7,143,923 B2	12/2006	Shelton, IV et al.	7,229,408 B2	6/2007	Douglas et al.
7,143,924 B2	12/2006	Scirica et al.	7,234,624 B2	6/2007	Gresham et al.
7,143,925 B2	12/2006	Shelton, IV et al.	7,235,072 B2	6/2007	Sartor et al.
7,143,926 B2	12/2006	Shelton, IV et al.	7,235,089 B1	6/2007	McGuckin, Jr.
7,146,191 B2	12/2006	Kerner et al.	7,235,302 B2	6/2007	Jing et al.
7,147,138 B2	12/2006	Shelton, IV	7,237,708 B1	7/2007	Guy et al.
7,147,139 B2	12/2006	Schwemberger et al.	7,238,195 B2	7/2007	Viola
7,147,140 B2	12/2006	Wukusick et al.	7,238,901 B2	7/2007	Kim et al.
7,147,637 B2	12/2006	Goble	7,239,657 B1	7/2007	Gunnarsson
7,147,648 B2	12/2006	Lin	7,241,288 B2	7/2007	Braun
7,147,650 B2	12/2006	Lee	7,241,289 B2	7/2007	Braun



# US D975,851 S

7,246,734 B2	7/2007	Shelton, IV	7,344,532 B2	3/2008	Goble et al.
7,247,161 B2	7/2007	Johnston et al.	7,344,533 B2	3/2008	Pearson et al.
7,249,267 B2	7/2007	Chapuis	7,346,344 B2	3/2008	Fontaine
7,252,641 B2	8/2007	Thompson et al.	7,346,406 B2	3/2008	Brotto et al.
7,252,660 B2	8/2007	Kunz	7,348,763 B1	3/2008	Reinhart et al.
7,255,012 B2	8/2007	Hedtke	7,348,875 B2	3/2008	Hughes et al.
7,255,696 B2	8/2007	Goble et al.	RE40,237 E	4/2008	Bilotti et al.
7,256,695 B2	8/2007	Hamel et al.	7,351,258 B2	4/2008	Ricotta et al.
7,258,262 B2	8/2007	Mastri et al.	7,354,398 B2	4/2008	Kanazawa
7,258,546 B2	8/2007	Beier et al.	7,354,447 B2	4/2008	Shelton, IV et al.
7,260,431 B2	8/2007	Libbus et al.	7,354,502 B2	4/2008	Polat et al.
7,265,374 B2	9/2007	Lee et al.	7,357,287 B2	4/2008	Shelton, IV et al.
7,267,677 B2	9/2007	Johnson et al.	7,357,806 B2	4/2008	Rivera et al.
7,267,679 B2	9/2007	McGuckin, Jr. et al.	7,361,168 B2	4/2008	Makower et al.
7,272,002 B2	9/2007	Drapeau	7,361,195 B2	4/2008	Schwartz et al.
7,273,483 B2	9/2007	Wiener et al.	7,362,062 B2	4/2008	Schneider et al.
7,273,488 B2	9/2007	Nakamura et al.	7,364,060 B2	4/2008	Milliman
D552,623 S	10/2007	Vong et al.	7,364,061 B2	4/2008	Swayze et al.
7,275,674 B2	10/2007	Racenet et al.	7,367,485 B2	5/2008	Shelton, IV et al.
7,276,044 B2	10/2007	Ferry et al.	7,367,973 B2	5/2008	Manzo et al.
7,276,068 B2	10/2007	Johnson et al.	7,368,124 B2	5/2008	Chun et al.
7,278,562 B2	10/2007	Mastri et al.	7,371,210 B2	5/2008	Brock et al.
7,278,563 B1	10/2007	Green	7,371,403 B2	5/2008	McCarthy et al.
7,278,949 B2	10/2007	Bader	7,375,493 B2	5/2008	Calhoon et al.
7,278,994 B2	10/2007	Goble	7,377,918 B2	5/2008	Amoah
7,282,048 B2	10/2007	Goble et al.	7,377,928 B2	5/2008	Zubik et al.
7,283,096 B2	10/2007	Geisheimer et al.	7,378,817 B2	5/2008	Calhoon et al.
7,286,850 B2	10/2007	Frieling et al.	RE40,388 E	6/2008	Gines
7,287,682 B1	10/2007	Ezzat et al.	D570,868 S	6/2008	Hosokawa et al.
7,289,139 B2	10/2007	Amling et al.	7,380,695 B2	6/2008	Doll et al.
7,293,685 B2	11/2007	Ehrenfels et al.	7,380,696 B2	6/2008	Shelton, IV et al.
7,295,893 B2	11/2007	Sunaoshi	7,384,403 B2	6/2008	Sherman
7,295,907 B2	11/2007	Lu et al.	7,384,417 B2	6/2008	Cucin
7,296,722 B2	11/2007	Ivanko	7,386,365 B2	6/2008	Nixon
7,296,724 B2	11/2007	Green et al.	7,386,730 B2	6/2008	Uchikubo
7,297,149 B2	11/2007	Vitali et al.	7,388,217 B2	6/2008	Buschbeck et al.
7,300,373 B2	11/2007	Jinno et al.	7,388,484 B2	6/2008	Hsu
7,300,431 B2	11/2007	Dubrovsky	7,391,173 B2	6/2008	Schena
7,300,450 B2	11/2007	Vleugels et al.	7,394,190 B2	7/2008	Huang
7,303,106 B2	12/2007	Milliman et al.	7,396,356 B2	7/2008	Mollenauer
7,303,107 B2	12/2007	Milliman et al.	7,397,364 B2	7/2008	Govari
7,303,108 B2	12/2007	Shelton, IV	7,398,707 B2	7/2008	Morley et al.
7,303,502 B2	12/2007	Thompson	7,398,907 B2	7/2008	Racenet et al.
7,303,556 B2	12/2007	Metzger	7,398,908 B2	7/2008	Holsten et al.
7,306,597 B2	12/2007	Manzo	7,400,107 B2	7/2008	Schneider et al.
7,308,998 B2	12/2007	Mastri et al.	7,400,752 B2	7/2008	Zacharias
7,311,238 B2	12/2007	Liu	7,401,000 B2	7/2008	Nakamura
7,313,430 B2	12/2007	Urquhart et al.	7,401,721 B2	7/2008	Holsten et al.
7,314,473 B2	1/2008	Jinno et al.	7,404,449 B2	7/2008	Birmingham et al.
7,320,704 B2	1/2008	Lashinski et al.	7,404,508 B2	7/2008	Smith et al.
7,322,859 B2	1/2008	Evans	7,404,509 B2	7/2008	Ortiz et al.
7,322,975 B2	1/2008	Goble et al.	7,404,822 B2	7/2008	Viard et al.
7,322,994 B2	1/2008	Nicholas et al.	D575,793 S	8/2008	Ording
7,324,572 B2	1/2008	Chang	7,407,074 B2	8/2008	Ortiz et al.
7,326,203 B2	2/2008	Papineau et al.	7,407,075 B2	8/2008	Holsten et al.
7,326,213 B2	2/2008	Benderev et al.	7,407,076 B2	8/2008	Racenet et al.
7,328,828 B2	2/2008	Ortiz et al.	7,407,077 B2	8/2008	Ortiz et al.
7,328,829 B2	2/2008	Arad et al.	7,407,078 B2	8/2008	Shelton, IV et al.
7,330,004 B2	2/2008	DeJonge et al.	7,408,310 B2	8/2008	Hong et al.
7,331,340 B2	2/2008	Barney	7,410,085 B2	8/2008	Wolf et al.
7,331,343 B2	2/2008	Schmidt et al.	7,410,086 B2	8/2008	Ortiz et al.
7,331,403 B2	2/2008	Berry et al.	7,410,483 B2	8/2008	Danitz et al.
7,331,406 B2	2/2008	Wottreng, Jr. et al.	7,413,563 B2	8/2008	Corcoran et al.
7,331,969 B1	2/2008	Ingnas et al.	7,416,101 B2	8/2008	Shelton, IV et al.
7,334,717 B2	2/2008	Rethy et al.	7,418,078 B2	8/2008	Blanz et al.
7,334,718 B2	2/2008	McAlister et al.	RE40,514 E	9/2008	Mastri et al.
7,335,199 B2	2/2008	Goble et al.	7,419,080 B2	9/2008	Smith et al.
7,335,401 B2	2/2008	Finke et al.	7,419,081 B2	9/2008	Ehrenfels et al.
7,336,045 B2	2/2008	Clermonts	7,419,321 B2	9/2008	Tereschouk
7,336,048 B2	2/2008	Lohr	7,419,495 B2	9/2008	Menn et al.
7,336,183 B2	2/2008	Reddy et al.	7,422,136 B1	9/2008	Marczyk
7,336,184 B2	2/2008	Smith et al.	7,422,138 B2	9/2008	Bilotti et al.
7,337,774 B2	3/2008	Webb	7,422,139 B2	9/2008	Shelton, IV et al.
7,338,505 B2	3/2008	Belson	7,424,965 B2	9/2008	Racenet et al.
7,338,513 B2	3/2008	Lee et al.	7,427,607 B2	9/2008	Suzuki
7,341,554 B2	3/2008	Sekine et al.	D578,644 S	10/2008	Shumer et al.
7,341,555 B2	3/2008	Ootawara et al.	7,430,772 B2	10/2008	Van Es
7,341,591 B2	3/2008	Grinberg	7,430,849 B1	10/2008	Coutts et al.
7,343,920 B2	3/2008	Toby et al.	7,431,188 B1	10/2008	Marczyk



# US D975,851 S

Page 18

7,431,189 B2	10/2008	Shelton, IV et al.	7,542,807 B2	6/2009	Bertolero et al.
7,431,230 B2	10/2008	McPherson et al.	7,543,730 B1	6/2009	Marczyk
7,431,694 B2	10/2008	Stefanchik et al.	7,544,197 B2	6/2009	Kelsch et al.
7,431,730 B2	10/2008	Viola	7,546,939 B2	6/2009	Adams et al.
7,434,715 B2	10/2008	Shelton, IV et al.	7,546,940 B2	6/2009	Milliman et al.
7,434,717 B2	10/2008	Shelton, IV et al.	7,547,287 B2	6/2009	Boecker et al.
7,435,249 B2	10/2008	Buysse et al.	7,547,312 B2	6/2009	Bauman et al.
7,438,209 B1	10/2008	Hess et al.	7,549,563 B2	6/2009	Mather et al.
7,438,718 B2	10/2008	Milliman et al.	7,549,564 B2	6/2009	Boudreaux
7,439,354 B2	10/2008	Lenges et al.	7,549,998 B2	6/2009	Braun
7,441,684 B2	10/2008	Shelton, IV et al.	7,552,854 B2	6/2009	Wixey et al.
7,441,685 B1	10/2008	Boudreaux	7,553,173 B2	6/2009	Kowalick
7,442,201 B2	10/2008	Pugsley et al.	7,553,275 B2	6/2009	Padget et al.
7,443,547 B2	10/2008	Moreno et al.	7,554,343 B2	6/2009	Bromfield
7,446,131 B1	11/2008	Liu et al.	7,556,185 B2	7/2009	Viola
7,448,525 B2	11/2008	Shelton, IV et al.	7,556,186 B2	7/2009	Milliman
7,450,010 B1	11/2008	Gravelle et al.	7,556,647 B2	7/2009	Drews et al.
7,450,991 B2	11/2008	Smith et al.	7,559,449 B2	7/2009	Viola
7,451,904 B2	11/2008	Shelton, IV	7,559,450 B2	7/2009	Wales et al.
7,455,208 B2	11/2008	Wales et al.	7,559,452 B2	7/2009	Wales et al.
7,455,676 B2	11/2008	Holsten et al.	7,559,937 B2	7/2009	de la Torre et al.
7,455,682 B2	11/2008	Viola	7,561,637 B2	7/2009	Jonsson et al.
7,455,687 B2	11/2008	Saunders et al.	7,562,910 B2	7/2009	Kertesz et al.
D582,934 S	12/2008	Byeon	7,563,269 B2	7/2009	Hashiguchi
7,461,767 B2	12/2008	Viola et al.	7,563,862 B2	7/2009	Sieg et al.
7,462,187 B2	12/2008	Johnston et al.	7,565,993 B2	7/2009	Milliman et al.
7,464,845 B2	12/2008	Chou	7,566,300 B2	7/2009	Devierre et al.
7,464,846 B2	12/2008	Shelton, IV et al.	7,567,045 B2	7/2009	Fristedt
7,464,847 B2	12/2008	Viola et al.	7,568,603 B2	8/2009	Shelton, IV et al.
7,464,848 B2	12/2008	Green et al.	7,568,604 B2	8/2009	Ehrenfels et al.
7,464,849 B2	12/2008	Shelton, IV et al.	7,568,619 B2	8/2009	Todd et al.
7,467,740 B2	12/2008	Shelton, IV et al.	7,572,285 B2	8/2009	Frey et al.
7,467,849 B2	12/2008	Silverbrook et al.	7,572,298 B2	8/2009	Roller et al.
7,472,814 B2	1/2009	Mastri et al.	7,575,144 B2	8/2009	Ortiz et al.
7,472,815 B2	1/2009	Shelton, IV et al.	7,578,825 B2	8/2009	Huebner
7,472,816 B2	1/2009	Holsten et al.	D600,712 S	9/2009	LaManna et al.
7,473,221 B2	1/2009	Ewers et al.	7,583,063 B2	9/2009	Dooley
7,473,253 B2	1/2009	Dycus et al.	7,584,880 B2	9/2009	Racenet et al.
7,473,263 B2	1/2009	Johnston et al.	7,586,289 B2	9/2009	Andruk et al.
7,476,237 B2	1/2009	Taniguchi et al.	7,588,174 B2	9/2009	Holsten et al.
7,479,147 B2	1/2009	Honeycutt et al.	7,588,175 B2	9/2009	Timm et al.
7,479,608 B2	1/2009	Smith	7,588,176 B2	9/2009	Timm et al.
7,481,347 B2	1/2009	Roy	7,588,177 B2	9/2009	Racenet
7,481,348 B2	1/2009	Marczyk	7,591,783 B2	9/2009	Boulais et al.
7,481,349 B2	1/2009	Holsten et al.	7,591,818 B2	9/2009	Bertolero et al.
7,481,824 B2	1/2009	Boudreaux et al.	7,593,766 B2	9/2009	Faber et al.
7,485,124 B2	2/2009	Kuhns et al.	7,595,642 B2	9/2009	Doyle
7,485,133 B2	2/2009	Cannon et al.	7,597,229 B2	10/2009	Boudreaux et al.
7,485,142 B2	2/2009	Milo	7,597,230 B2	10/2009	Racenet et al.
7,487,899 B2	2/2009	Shelton, IV et al.	7,597,693 B2	10/2009	Garrison
7,489,055 B2	2/2009	Jeong et al.	7,597,699 B2	10/2009	Rogers
7,490,749 B2	2/2009	Schall et al.	7,598,972 B2	10/2009	Tomita
7,491,232 B2	2/2009	Bolduc et al.	7,600,663 B2	10/2009	Green
7,492,261 B2	2/2009	Cambre et al.	7,604,118 B2	10/2009	Iio et al.
7,494,039 B2	2/2009	Racenet et al.	7,604,150 B2	10/2009	Boudreaux
7,494,460 B2	2/2009	Haarstad et al.	7,604,151 B2	10/2009	Hess et al.
7,494,499 B2	2/2009	Nagase et al.	7,604,668 B2	10/2009	Farnsworth et al.
7,494,501 B2	2/2009	Ahlberg et al.	7,605,826 B2	10/2009	Sauer
7,497,137 B2	3/2009	Tellenbach et al.	7,607,557 B2	10/2009	Shelton, IV et al.
7,500,979 B2	3/2009	Hueil et al.	7,608,091 B2	10/2009	Goldfarb et al.
7,501,198 B2	3/2009	Barlev et al.	D604,325 S	11/2009	Ebeling et al.
7,503,474 B2	3/2009	Hillstead et al.	7,611,038 B2	11/2009	Racenet et al.
7,506,790 B2	3/2009	Shelton, IV	7,611,474 B2	11/2009	Hibner et al.
7,506,791 B2	3/2009	Omaits et al.	7,615,003 B2	11/2009	Stefanchik et al.
7,507,202 B2	3/2009	Schoellhorn	7,615,006 B2	11/2009	Abe
7,510,107 B2	3/2009	Timm et al.	7,615,067 B2	11/2009	Lee et al.
7,510,534 B2	3/2009	Burdorff et al.	7,617,961 B2	11/2009	Viola
7,510,566 B2	3/2009	Jacobs et al.	7,618,427 B2	11/2009	Ortiz et al.
7,513,407 B1	4/2009	Chang	D605,201 S	12/2009	Lorenz et al.
7,513,408 B2	4/2009	Shelton, IV et al.	D606,992 S	12/2009	Liu et al.
7,517,356 B2	4/2009	Heinrich	D607,010 S	12/2009	Kocmick
7,524,320 B2	4/2009	Tierney et al.	7,624,902 B2	12/2009	Marczyk et al.
7,527,632 B2	5/2009	Houghton et al.	7,624,903 B2	12/2009	Green et al.
7,530,984 B2	5/2009	Sonnenschein et al.	7,625,370 B2	12/2009	Hart et al.
7,530,985 B2	5/2009	Takemoto et al.	7,625,388 B2	12/2009	Boukhny et al.
7,533,906 B2	5/2009	Luetgen et al.	7,625,662 B2	12/2009	Vaisnys et al.
7,534,259 B2	5/2009	Lashinski et al.	7,630,841 B2	12/2009	Comisky et al.
7,540,867 B2	6/2009	Jinno et al.	7,631,793 B2	12/2009	Rethy et al.
7,540,872 B2	6/2009	Schechter et al.	7,631,794 B2	12/2009	Rethy et al.



# US D975,851 S

7,635,074 B2	12/2009	Olson et al.	7,712,182 B2	5/2010	Zeiler et al.
7,635,922 B2	12/2009	Becker	7,713,190 B2	5/2010	Brock et al.
7,637,409 B2	12/2009	Marczyk	7,713,542 B2	5/2010	Xu et al.
7,637,410 B2	12/2009	Marczyk	7,714,239 B2	5/2010	Smith
7,638,958 B2	12/2009	Philipp et al.	7,714,334 B2	5/2010	Lin
7,641,091 B2	1/2010	Olson et al.	7,717,312 B2	5/2010	Beetel
7,641,092 B2	1/2010	Kruszynski et al.	7,717,313 B2	5/2010	Criscuolo et al.
7,641,093 B2	1/2010	Doll et al.	7,717,846 B2	5/2010	Zirps et al.
7,641,095 B2	1/2010	Viola	7,717,873 B2	5/2010	Swick
7,641,671 B2	1/2010	Crainich	7,717,915 B2	5/2010	Miyazawa
7,644,783 B2	1/2010	Roberts et al.	7,717,926 B2	5/2010	Whitfield et al.
7,644,848 B2	1/2010	Swayze et al.	7,718,180 B2	5/2010	Karp
7,645,230 B2	1/2010	Mikkaichi et al.	7,718,556 B2	5/2010	Matsuda et al.
7,648,055 B2	1/2010	Marczyk	7,721,930 B2	5/2010	McKenna et al.
7,648,457 B2	1/2010	Stefanchik et al.	7,721,931 B2	5/2010	Shelton, IV et al.
7,648,519 B2	1/2010	Lee et al.	7,721,932 B2	5/2010	Cole et al.
7,650,185 B2	1/2010	Maile et al.	7,721,933 B2	5/2010	Ehrenfels et al.
7,651,017 B2	1/2010	Ortiz et al.	7,721,934 B2	5/2010	Shelton, IV et al.
7,651,498 B2	1/2010	Shifrin et al.	7,721,936 B2	5/2010	Shalton, IV et al.
7,654,431 B2	2/2010	Hueil et al.	7,722,527 B2	5/2010	Bouchier et al.
7,655,003 B2	2/2010	Lorang et al.	7,722,607 B2	5/2010	Dumbauld et al.
7,655,004 B2	2/2010	Long	7,722,610 B2	5/2010	Viola et al.
7,655,288 B2	2/2010	Bauman et al.	7,725,214 B2	5/2010	Diolaiti
7,655,584 B2	2/2010	Biran et al.	7,726,171 B2	6/2010	Langlotz et al.
7,656,131 B2	2/2010	Embrey et al.	7,726,537 B2	6/2010	Olson et al.
7,658,311 B2	2/2010	Boudreaux	7,726,538 B2	6/2010	Holsten et al.
7,658,312 B2	2/2010	Vidal et al.	7,726,539 B2	6/2010	Holsten et al.
7,658,705 B2	2/2010	Melvin et al.	7,727,954 B2	6/2010	McKay
7,659,219 B2	2/2010	Biran et al.	7,728,553 B2	6/2010	Carrier et al.
7,661,448 B2	2/2010	Kim et al.	7,729,742 B2	6/2010	Govari
7,662,161 B2	2/2010	Briganti et al.	7,731,072 B2	6/2010	Timm et al.
7,665,646 B2	2/2010	Prommersberger	7,731,073 B2	6/2010	Wixey et al.
7,665,647 B2	2/2010	Shelton, IV et al.	7,731,724 B2	6/2010	Huitema et al.
7,666,195 B2	2/2010	Kelleher et al.	7,735,703 B2	6/2010	Morgan et al.
7,669,746 B2	3/2010	Shelton, IV	7,735,704 B2	6/2010	Bilotti
7,669,747 B2	3/2010	Weisenburgh, II et al.	7,736,254 B2	6/2010	Schena
7,670,334 B2	3/2010	Hueil et al.	7,736,306 B2	6/2010	Brustad et al.
7,670,337 B2	3/2010	Young	7,736,374 B2	6/2010	Vaughan et al.
7,673,780 B2	3/2010	Shelton, IV et al.	7,738,971 B2	6/2010	Swayze et al.
7,673,781 B2	3/2010	Swayze et al.	7,740,159 B2	6/2010	Shelton, IV et al.
7,673,782 B2	3/2010	Hess et al.	7,742,036 B2	6/2010	Grant et al.
7,673,783 B2	3/2010	Morgan et al.	7,743,960 B2	6/2010	Whitman et al.
7,674,253 B2	3/2010	Fisher et al.	7,744,624 B2	6/2010	Bettuchi
7,674,255 B2	3/2010	Braun	7,744,627 B2	6/2010	Orban, III et al.
7,674,263 B2	3/2010	Ryan	7,744,628 B2	6/2010	Viola
7,674,270 B2	3/2010	Layer	7,747,146 B2	6/2010	Milano et al.
7,678,121 B1	3/2010	Knodel	7,748,587 B2	7/2010	Haramiishi et al.
7,682,307 B2	3/2010	Danitz et al.	7,748,632 B2	7/2010	Coleman et al.
7,682,367 B2	3/2010	Shah et al.	7,749,204 B2	7/2010	Dhanaraj et al.
7,682,686 B2	3/2010	Curro et al.	7,749,240 B2	7/2010	Takahashi et al.
7,686,201 B2	3/2010	Csiky	7,751,870 B2	7/2010	Whitman
7,686,804 B2	3/2010	Johnson et al.	7,753,245 B2	7/2010	Boudreaux et al.
7,686,826 B2	3/2010	Lee et al.	7,753,246 B2	7/2010	Scirica
7,688,028 B2	3/2010	Phillips et al.	7,753,904 B2	7/2010	Shelton, IV et al.
7,690,547 B2	4/2010	Racenet et al.	7,757,924 B2	7/2010	Gerbi et al.
7,691,098 B2	4/2010	Wallace et al.	7,758,594 B2	7/2010	Lamson et al.
7,691,103 B2	4/2010	Fernandez et al.	7,758,612 B2	7/2010	Shipp
7,691,106 B2	4/2010	Schenberger et al.	7,758,613 B2	7/2010	Whitman
7,694,864 B2	4/2010	Okada et al.	7,762,462 B2	7/2010	Gelbman
7,694,865 B2	4/2010	Scirica	7,762,998 B2	7/2010	Birk et al.
7,695,485 B2	4/2010	Whitman et al.	D622,286 S	8/2010	Umezawa
7,695,493 B2	4/2010	Saadat et al.	7,766,207 B2	8/2010	Mather et al.
7,699,204 B2	4/2010	Viola	7,766,209 B2	8/2010	Baxter, III et al.
7,699,835 B2	4/2010	Lee et al.	7,766,210 B2	8/2010	Shelton, IV et al.
7,699,844 B2	4/2010	Utley et al.	7,766,821 B2	8/2010	Brunnen et al.
7,699,846 B2	4/2010	Ryan	7,766,894 B2	8/2010	Weitzner et al.
7,699,856 B2	4/2010	Van Wyk et al.	7,770,658 B2	8/2010	Ito et al.
7,699,859 B2	4/2010	Bombard et al.	7,770,773 B2	8/2010	Whitman et al.
7,699,860 B2	4/2010	Huitema et al.	7,770,774 B2	8/2010	Mastri et al.
7,699,868 B2	4/2010	Frank et al.	7,770,775 B2	8/2010	Shelton, IV et al.
7,703,653 B2	4/2010	Shah et al.	7,770,776 B2	8/2010	Chen et al.
7,705,559 B2	4/2010	Powell et al.	7,771,396 B2	8/2010	Stefanchik et al.
7,706,853 B2	4/2010	Hacker et al.	7,772,720 B2	8/2010	McGee et al.
7,708,180 B2	5/2010	Murray et al.	7,772,725 B2	8/2010	Siman-Tov
7,708,181 B2	5/2010	Cole et al.	7,775,972 B2	8/2010	Brock et al.
7,708,182 B2	5/2010	Viola	7,776,037 B2	8/2010	Odom
7,708,758 B2	5/2010	Lee et al.	7,776,060 B2	8/2010	Mooradian et al.
7,708,768 B2	5/2010	Danek et al.	7,776,065 B2	8/2010	Griffiths et al.
7,709,136 B2	5/2010	Touchton et al.	7,778,004 B2	8/2010	Nerheim et al.



# US D975,851 S

7,779,614 B1	8/2010	McGonagle et al.	7,845,912 B2	12/2010	Sung et al.
7,779,737 B2	8/2010	Newman, Jr. et al.	7,846,085 B2	12/2010	Silverman et al.
7,780,054 B2	8/2010	Wales	7,846,149 B2	12/2010	Jankowski
7,780,055 B2	8/2010	Scirica et al.	7,846,161 B2	12/2010	Dumbauld et al.
7,780,309 B2	8/2010	McMillan et al.	7,848,066 B2	12/2010	Yanagishima
7,780,651 B2	8/2010	Madhani et al.	7,850,623 B2	12/2010	Griffin et al.
7,780,663 B2	8/2010	Yates et al.	7,850,642 B2	12/2010	Moll et al.
7,780,685 B2	8/2010	Hunt et al.	7,850,982 B2	12/2010	Stopek et al.
7,782,382 B2	8/2010	Fujimura	7,853,813 B2	12/2010	Lee
7,784,662 B2	8/2010	Wales et al.	7,854,735 B2	12/2010	Houser et al.
7,784,663 B2	8/2010	Shelton, IV	7,854,736 B2	12/2010	Ryan
7,787,256 B2	8/2010	Chan et al.	7,857,183 B2	12/2010	Shelton, IV
7,789,283 B2	9/2010	Shah	7,857,184 B2	12/2010	Viola
7,789,875 B2	9/2010	Brock et al.	7,857,185 B2	12/2010	Swayze et al.
7,789,883 B2	9/2010	Takashino et al.	7,857,186 B2	12/2010	Baxter, III et al.
7,789,889 B2	9/2010	Zubik et al.	7,857,813 B2	12/2010	Schmitz et al.
7,793,812 B2	9/2010	Moore et al.	7,861,906 B2	1/2011	Doll et al.
7,794,475 B2	9/2010	Hess et al.	7,862,502 B2	1/2011	Pool et al.
7,798,386 B2	9/2010	Schall et al.	7,862,546 B2	1/2011	Conlon et al.
7,799,039 B2	9/2010	Shelton, IV et al.	7,862,579 B2	1/2011	Ortiz et al.
7,799,044 B2	9/2010	Johnston et al.	7,866,525 B2	1/2011	Scirica
7,799,965 B2	9/2010	Patel et al.	7,866,527 B2	1/2011	Hall et al.
7,803,151 B2	9/2010	Whitman	7,866,528 B2	1/2011	Olson et al.
7,806,871 B2	10/2010	Li et al.	7,870,989 B2	1/2011	Viola et al.
7,806,891 B2	10/2010	Nowlin et al.	7,871,418 B2	1/2011	Thompson et al.
7,810,690 B2	10/2010	Bilotti et al.	7,871,440 B2	1/2011	Schwartz et al.
7,810,691 B2	10/2010	Boyden et al.	7,875,055 B2	1/2011	Cichocki, Jr.
7,810,692 B2	10/2010	Hall et al.	7,879,063 B2	2/2011	Khosravi
7,810,693 B2	10/2010	Broehl et al.	7,879,070 B2	2/2011	Ortiz et al.
7,811,275 B2	10/2010	Birk et al.	7,879,367 B2	2/2011	Heublein et al.
7,814,816 B2	10/2010	Alberti et al.	7,883,461 B2	2/2011	Albrecht et al.
7,815,092 B2	10/2010	Whitman et al.	7,883,465 B2	2/2011	Donofrio et al.
7,815,565 B2	10/2010	Stefanchik et al.	7,883,540 B2	2/2011	Niwa et al.
7,815,662 B2	10/2010	Spivey et al.	7,886,951 B2	2/2011	Hessler
7,819,296 B2	10/2010	Hueil et al.	7,886,952 B2	2/2011	Scirica et al.
7,819,297 B2	10/2010	Doll et al.	7,887,530 B2	2/2011	Zemlok et al.
7,819,298 B2	10/2010	Hall et al.	7,887,535 B2	2/2011	Lands et al.
7,819,299 B2	10/2010	Shelton, IV et al.	7,887,536 B2	2/2011	Johnson et al.
7,819,799 B2	10/2010	Merril et al.	7,887,563 B2	2/2011	Cummins
7,819,884 B2	10/2010	Lee et al.	7,887,755 B2	2/2011	Mingerink et al.
7,819,885 B2	10/2010	Cooper	7,891,531 B1	2/2011	Ward
7,819,886 B2	10/2010	Whitfield et al.	7,891,532 B2	2/2011	Mastri et al.
7,819,894 B2	10/2010	Mitsubishi et al.	7,892,200 B2	2/2011	Birk et al.
7,823,592 B2	11/2010	Bettuchi et al.	7,892,245 B2	2/2011	Liddicoat et al.
7,823,760 B2	11/2010	Zemlok et al.	7,893,586 B2	2/2011	West et al.
7,824,401 B2	11/2010	Manzo et al.	7,896,214 B2	3/2011	Farascioni
7,824,422 B2	11/2010	Benchetrit	7,896,215 B2	3/2011	Adams et al.
7,824,426 B2	11/2010	Racenet et al.	7,896,671 B2	3/2011	Kim et al.
7,828,189 B2	11/2010	Holsten et al.	7,896,869 B2	3/2011	DiSilvestro et al.
7,828,794 B2	11/2010	Sartor	7,896,877 B2	3/2011	Hall et al.
7,828,808 B2	11/2010	Hinman et al.	7,896,895 B2	3/2011	Boudreaux et al.
7,829,416 B2	11/2010	Kudou et al.	7,896,897 B2	3/2011	Gresham et al.
7,831,292 B2	11/2010	Quaid et al.	7,896,900 B2	3/2011	Frank et al.
7,832,408 B2	11/2010	Shelton, IV et al.	7,898,198 B2	3/2011	Murphree
7,832,611 B2	11/2010	Boyden et al.	7,900,805 B2	3/2011	Shelton, IV et al.
7,832,612 B2	11/2010	Baxter, III et al.	7,900,806 B2	3/2011	Chen et al.
7,833,234 B2	11/2010	Bailly et al.	7,901,381 B2	3/2011	Birk et al.
7,835,823 B2	11/2010	Sillman et al.	7,905,380 B2	3/2011	Shelton, IV et al.
7,836,400 B2	11/2010	May et al.	7,905,381 B2	3/2011	Baxter, III et al.
7,837,079 B2	11/2010	Holsten et al.	7,905,881 B2	3/2011	Masuda et al.
7,837,080 B2	11/2010	Schwemberger	7,905,889 B2	3/2011	Catanese, III et al.
7,837,081 B2	11/2010	Holsten et al.	7,905,890 B2	3/2011	Whitfield et al.
7,837,425 B2	11/2010	Saeki et al.	7,905,902 B2	3/2011	Huitema et al.
7,837,685 B2	11/2010	Weinberg et al.	7,909,039 B2	3/2011	Hur
7,837,687 B2	11/2010	Harp	7,909,191 B2	3/2011	Baker et al.
7,837,694 B2	11/2010	Tethrake et al.	7,909,220 B2	3/2011	Viola
7,838,789 B2	11/2010	Stoffers et al.	7,909,221 B2	3/2011	Viola et al.
7,839,109 B2	11/2010	Carmen, Jr. et al.	7,909,224 B2	3/2011	Prommersberger
7,840,253 B2	11/2010	Tremblay et al.	7,913,891 B2	3/2011	Doll et al.
7,841,503 B2	11/2010	Sonnenschein et al.	7,913,893 B2	3/2011	Mastri et al.
7,842,025 B2	11/2010	Coleman et al.	7,914,521 B2	3/2011	Wang et al.
7,842,028 B2	11/2010	Lee	7,914,543 B2	3/2011	Roth et al.
7,843,158 B2	11/2010	Prisco	7,914,551 B2	3/2011	Ortiz et al.
7,845,533 B2	12/2010	Marczyk et al.	7,918,230 B2	4/2011	Whitman et al.
7,845,534 B2	12/2010	Viola et al.	7,918,376 B1	4/2011	Knodel et al.
7,845,535 B2	12/2010	Scircia	7,918,377 B2	4/2011	Measamer et al.
7,845,536 B2	12/2010	Viola et al.	7,918,845 B2	4/2011	Saadat et al.
7,845,537 B2	12/2010	Shelton, IV et al.	7,918,848 B2	4/2011	Lau et al.
7,845,538 B2	12/2010	Whitman	7,918,861 B2	4/2011	Brock et al.



# US D975,851 S

Page 21

7,918,867 B2	4/2011	Dana et al.	7,988,026 B2	8/2011	Knodel et al.
7,922,061 B2	4/2011	Shelton, IV et al.	7,988,027 B2	8/2011	Olson et al.
7,922,063 B2	4/2011	Zemlok et al.	7,988,028 B2	8/2011	Farascioni et al.
7,922,743 B2	4/2011	Heinrich et al.	7,988,779 B2	8/2011	Disalvo et al.
7,923,144 B2	4/2011	Kohn et al.	7,992,757 B2	8/2011	Wheeler et al.
7,926,691 B2	4/2011	Viola et al.	7,993,360 B2	8/2011	Hacker et al.
7,926,692 B2	4/2011	Racenet et al.	7,994,670 B2	8/2011	Ji
7,927,328 B2	4/2011	Orszulak et al.	7,997,054 B2	8/2011	Bertsch et al.
7,928,281 B2	4/2011	Augustine	7,997,468 B2	8/2011	Farascioni
7,930,040 B1	4/2011	Kelsch et al.	7,997,469 B2	8/2011	Olson et al.
7,930,065 B2	4/2011	Larkin et al.	8,002,696 B2	8/2011	Suzuki
7,931,660 B2	4/2011	Aranyi et al.	8,002,784 B2	8/2011	Jinno et al.
7,931,695 B2	4/2011	Ringeisen	8,002,785 B2	8/2011	Weiss et al.
7,931,877 B2	4/2011	Steffens et al.	8,002,795 B2	8/2011	Beetel
7,934,630 B2	5/2011	Shelton, IV et al.	8,006,365 B2	8/2011	Levin et al.
7,934,631 B2	5/2011	Balbierz et al.	8,006,885 B2	8/2011	Marczyk
7,934,896 B2	5/2011	Schnier	8,006,889 B2	8/2011	Adams et al.
7,935,130 B2	5/2011	Williams	8,007,370 B2	8/2011	Hirsch et al.
7,935,773 B2	5/2011	Hadba et al.	8,007,465 B2	8/2011	Birk et al.
7,936,142 B2	5/2011	Otsuka et al.	8,007,479 B2	8/2011	Birk et al.
7,938,307 B2	5/2011	Bettuchi	8,007,511 B2	8/2011	Brock et al.
7,939,152 B2	5/2011	Haskin et al.	8,007,513 B2	8/2011	Nalagatla et al.
7,941,865 B2	5/2011	Seman, Jr. et al.	8,008,598 B2	8/2011	Whitman et al.
7,942,300 B2	5/2011	Rethy et al.	8,010,180 B2	8/2011	Quaid et al.
7,942,303 B2	5/2011	Shah	8,011,550 B2	9/2011	Aranyi et al.
7,942,890 B2	5/2011	D'Agostino et al.	8,011,551 B2	9/2011	Marczyk et al.
7,944,175 B2	5/2011	Mori et al.	8,011,553 B2	9/2011	Mastri et al.
7,945,792 B2	5/2011	Cherpantier	8,011,555 B2	9/2011	Tarinelli et al.
7,945,798 B2	5/2011	Carlson et al.	8,012,170 B2	9/2011	Whitman et al.
7,946,453 B2	5/2011	Voegele et al.	8,016,176 B2	9/2011	Kasvikis et al.
7,947,011 B2	5/2011	Birk et al.	8,016,177 B2	9/2011	Bettuchi et al.
7,948,381 B2	5/2011	Lindsay et al.	8,016,178 B2	9/2011	Olson et al.
7,950,560 B2	5/2011	Zemlok et al.	8,016,849 B2	9/2011	Wenchell
7,950,561 B2	5/2011	Aranyi	8,016,855 B2	9/2011	Whitman et al.
7,950,562 B2	5/2011	Beardsley et al.	8,016,858 B2	9/2011	Whitman
7,951,071 B2	5/2011	Whitman et al.	8,016,881 B2	9/2011	Furst
7,951,166 B2	5/2011	Orban, III et al.	8,020,742 B2	9/2011	Marczyk
7,952,464 B2	5/2011	Nikitin et al.	8,020,743 B2	9/2011	Shelton, IV
7,954,682 B2	6/2011	Giordano et al.	8,021,375 B2	9/2011	Aldrich et al.
7,954,684 B2	6/2011	Boudreaux	8,025,199 B2	9/2011	Whitman et al.
7,954,685 B2	6/2011	Viola	8,025,896 B2	9/2011	Malaviya et al.
7,954,686 B2	6/2011	Baxter, III et al.	8,028,835 B2	10/2011	Yasuda et al.
7,954,687 B2	6/2011	Zemlok et al.	8,028,882 B2	10/2011	Viola
7,954,688 B2	6/2011	Argentine et al.	8,028,883 B2	10/2011	Stopek
7,955,253 B2	6/2011	Ewers et al.	8,028,884 B2	10/2011	Sniffin et al.
7,955,257 B2	6/2011	Frasier et al.	8,028,885 B2	10/2011	Smith et al.
7,955,322 B2	6/2011	Devengenzo et al.	8,029,510 B2	10/2011	Hoegerle
7,955,327 B2	6/2011	Sartor et al.	8,031,069 B2	10/2011	Cohn et al.
7,955,380 B2	6/2011	Chu et al.	8,033,438 B2	10/2011	Scirica
7,959,050 B2	6/2011	Smith et al.	8,033,439 B2	10/2011	Racenet et al.
7,959,051 B2	6/2011	Smith et al.	8,033,440 B2	10/2011	Wenchell et al.
7,959,052 B2	6/2011	Sonnenschein et al.	8,033,442 B2	10/2011	Racenet et al.
7,963,432 B2	6/2011	Knodel et al.	8,034,077 B2	10/2011	Smith et al.
7,963,433 B2	6/2011	Whitman et al.	8,034,337 B2	10/2011	Simard
7,963,913 B2	6/2011	Devengenzo et al.	8,034,363 B2	10/2011	Li et al.
7,963,963 B2	6/2011	Francischelli et al.	8,035,487 B2	10/2011	Malackowski
7,963,964 B2	6/2011	Santilli et al.	8,037,591 B2	10/2011	Spivey et al.
7,964,206 B2	6/2011	Suokas et al.	8,038,044 B2	10/2011	Viola
7,966,236 B2	6/2011	Noriega et al.	8,038,045 B2	10/2011	Bettuchi et al.
7,966,269 B2	6/2011	Bauer et al.	8,038,046 B2	10/2011	Smith et al.
7,966,799 B2	6/2011	Morgan et al.	8,038,686 B2	10/2011	Huitema et al.
7,967,178 B2	6/2011	Scirica et al.	8,043,207 B2	10/2011	Adams
7,967,179 B2	6/2011	Olson et al.	8,043,328 B2	10/2011	Hahnen et al.
7,967,180 B2	6/2011	Scirica	8,044,536 B2	10/2011	Nguyen et al.
7,967,181 B2	6/2011	Viola et al.	8,044,604 B2	10/2011	Hagino et al.
7,967,791 B2	6/2011	Franer et al.	8,047,236 B2	11/2011	Perry
7,967,839 B2	6/2011	Flock et al.	8,048,503 B2	11/2011	Farnsworth et al.
7,972,298 B2	7/2011	Wallace et al.	8,052,636 B2	11/2011	Moll et al.
7,972,315 B2	7/2011	Birk et al.	8,056,787 B2	11/2011	Boudreaux et al.
7,976,213 B2	7/2011	Bertolotti et al.	8,056,788 B2	11/2011	Mastri et al.
7,976,508 B2	7/2011	Hoag	8,056,789 B1	11/2011	White et al.
7,976,563 B2	7/2011	Summerer	8,057,508 B2	11/2011	Shelton, IV
7,979,137 B2	7/2011	Tracey et al.	8,058,771 B2	11/2011	Giordano et al.
7,980,443 B2	7/2011	Scheib et al.	8,060,250 B2	11/2011	Reiland et al.
7,981,025 B2	7/2011	Pool et al.	8,061,014 B2	11/2011	Smith et al.
7,981,102 B2	7/2011	Patel et al.	8,061,576 B2	11/2011	Cappola
7,981,132 B2	7/2011	Dubrul et al.	8,062,236 B2	11/2011	Soltz
7,987,405 B2	7/2011	Turner et al.	8,062,306 B2	11/2011	Nobis et al.
7,988,015 B2	8/2011	Mason, II et al.	8,062,330 B2	11/2011	Prommersberger et al.



# US D975,851 S

8,063,619 B2	11/2011	Zhu et al.	8,137,339 B2	3/2012	Jinno et al.
8,066,158 B2	11/2011	Vogel et al.	8,140,417 B2	3/2012	Shibata
8,066,166 B2	11/2011	Demmy et al.	8,141,762 B2	3/2012	Bedi et al.
8,066,167 B2	11/2011	Measamer et al.	8,141,763 B2	3/2012	Milliman
8,066,168 B2	11/2011	Vidal et al.	8,142,200 B2	3/2012	Crunkilton et al.
8,066,720 B2	11/2011	Knodel et al.	8,142,425 B2	3/2012	Eggers
D650,074 S	12/2011	Hunt et al.	8,142,461 B2	3/2012	Houser et al.
D650,789 S	12/2011	Arnold	8,142,515 B2	3/2012	Therin et al.
8,070,033 B2	12/2011	Milliman et al.	8,143,520 B2	3/2012	Cutler
8,070,034 B1	12/2011	Knodel	8,146,790 B2	4/2012	Milliman
8,070,035 B2	12/2011	Holsten et al.	8,147,421 B2	4/2012	Farquhar et al.
8,070,743 B2	12/2011	Kagan et al.	8,147,456 B2	4/2012	Fisher et al.
8,074,858 B2	12/2011	Marczyk	8,147,485 B2	4/2012	Wham et al.
8,074,859 B2	12/2011	Kostrzewski	8,152,041 B2	4/2012	Kostrzewski
8,074,861 B2	12/2011	Ehrenfels et al.	8,152,756 B2	4/2012	Webster et al.
8,075,476 B2	12/2011	Vargas	8,154,239 B2	4/2012	Katsuki et al.
8,075,571 B2	12/2011	Vitali et al.	8,157,145 B2	4/2012	Shelton, IV et al.
8,079,950 B2	12/2011	Stern et al.	8,157,148 B2	4/2012	Scirica
8,079,989 B2	12/2011	Birk et al.	8,157,151 B2	4/2012	Ingmanson et al.
8,080,004 B2	12/2011	Downey et al.	8,157,152 B2	4/2012	Holsten et al.
8,083,118 B2	12/2011	Milliman et al.	8,157,153 B2	4/2012	Shelton, IV et al.
8,083,119 B2	12/2011	Prommersberger	8,157,793 B2	4/2012	Omori et al.
8,083,120 B2	12/2011	Shelton, IV et al.	8,157,834 B2	4/2012	Conlon
8,084,001 B2	12/2011	Burns et al.	8,161,977 B2	4/2012	Shelton, IV et al.
8,084,969 B2	12/2011	David et al.	8,162,138 B2	4/2012	Bettenhausen et al.
8,085,013 B2	12/2011	Wei et al.	8,162,197 B2	4/2012	Mastri et al.
8,087,562 B1	1/2012	Manoux et al.	8,162,668 B2	4/2012	Toly
8,087,563 B2	1/2012	Milliman et al.	8,162,933 B2	4/2012	Francischelli et al.
8,089,509 B2	1/2012	Chatenever et al.	8,162,965 B2	4/2012	Reschke et al.
8,091,753 B2	1/2012	Viola	8,167,185 B2	5/2012	Shelton, IV et al.
8,091,756 B2	1/2012	Viola	8,167,622 B2	5/2012	Zhou
8,092,443 B2	1/2012	Bischoff	8,167,895 B2	5/2012	D'Agostino et al.
8,092,932 B2	1/2012	Phillips et al.	8,167,898 B1	5/2012	Schaller et al.
8,093,572 B2	1/2012	Kuduvalli	8,170,241 B2	5/2012	Roe et al.
8,096,458 B2	1/2012	Hessler	8,172,004 B2	5/2012	Ho
8,096,459 B2	1/2012	Ortiz et al.	8,172,120 B2	5/2012	Boyden et al.
8,097,017 B2	1/2012	Viola	8,172,122 B2	5/2012	Kasvikis et al.
8,100,310 B2	1/2012	Zemlok	8,172,124 B2	5/2012	Shelton, IV et al.
8,100,824 B2	1/2012	Hegeman et al.	8,177,776 B2	5/2012	Humayun et al.
8,100,872 B2	1/2012	Patel	8,177,797 B2	5/2012	Shimoji et al.
8,102,138 B2	1/2012	Sekine et al.	8,179,705 B2	5/2012	Chapuis
8,102,278 B2	1/2012	Deck et al.	8,180,458 B2	5/2012	Kane et al.
8,105,320 B2	1/2012	Manzo	8,181,839 B2	5/2012	Beetel
8,105,350 B2	1/2012	Lee et al.	8,181,840 B2	5/2012	Milliman
8,107,925 B2	1/2012	Natsuno et al.	8,182,422 B2	5/2012	Bayer et al.
8,108,033 B2	1/2012	Drew et al.	8,182,444 B2	5/2012	Uber, III et al.
8,108,072 B2	1/2012	Zhao et al.	8,183,807 B2	5/2012	Tsai et al.
8,109,426 B2	2/2012	Milliman et al.	8,186,555 B2	5/2012	Shelton, IV et al.
8,110,208 B1	2/2012	Hen	8,186,556 B2	5/2012	Viola
8,113,405 B2	2/2012	Milliman	8,186,558 B2	5/2012	Sapienza
8,113,407 B2	2/2012	Holsten et al.	8,186,560 B2	5/2012	Hess et al.
8,113,408 B2	2/2012	Wenchell et al.	8,190,238 B2	5/2012	Moll et al.
8,113,410 B2	2/2012	Hall et al.	8,191,752 B2	6/2012	Scirica
8,114,017 B2	2/2012	Bacher	8,192,350 B2	6/2012	Ortiz et al.
8,114,100 B2	2/2012	Smith et al.	8,192,460 B2	6/2012	Orban, III et al.
8,114,345 B2	2/2012	Dlugos, Jr. et al.	8,192,651 B2	6/2012	Young et al.
8,118,206 B2	2/2012	Zand et al.	8,193,129 B2	6/2012	Tagawa et al.
8,118,207 B2	2/2012	Racenet et al.	8,196,795 B2	6/2012	Moore et al.
8,120,301 B2	2/2012	Goldberg et al.	8,196,796 B2	6/2012	Shelton, IV et al.
8,122,128 B2	2/2012	Burke, II et al.	8,197,501 B2	6/2012	Shadeck et al.
8,123,103 B2	2/2012	Milliman	8,197,502 B2	6/2012	Smith et al.
8,123,523 B2	2/2012	Carron et al.	8,197,837 B2	6/2012	Jamiolkowski et al.
8,123,766 B2	2/2012	Bauman et al.	8,201,720 B2	6/2012	Hessler
8,123,767 B2	2/2012	Bauman et al.	8,201,721 B2	6/2012	Zemlok et al.
8,125,168 B2	2/2012	Johnson et al.	8,202,549 B2	6/2012	Stucky et al.
8,127,975 B2	3/2012	Olson et al.	8,205,779 B2	6/2012	Ma et al.
8,127,976 B2	3/2012	Scirica et al.	8,205,780 B2	6/2012	Sorrentino et al.
8,128,624 B2	3/2012	Couture et al.	8,205,781 B2	6/2012	Baxter, III et al.
8,128,643 B2	3/2012	Aranyi et al.	8,207,863 B2	6/2012	Neubauer et al.
8,128,645 B2	3/2012	Sonnenschein et al.	8,210,411 B2	7/2012	Yates et al.
8,128,662 B2	3/2012	Altarac et al.	8,210,414 B2	7/2012	Bettuchi et al.
8,132,703 B2	3/2012	Milliman et al.	8,210,415 B2	7/2012	Ward
8,132,705 B2	3/2012	Viola et al.	8,210,416 B2	7/2012	Milliman et al.
8,132,706 B2	3/2012	Marczyk et al.	8,210,721 B2	7/2012	Chen et al.
8,133,500 B2	3/2012	Ringeisen et al.	8,211,125 B2	7/2012	Spivey
8,134,306 B2	3/2012	Drader et al.	8,214,019 B2	7/2012	Govari et al.
8,136,711 B2	3/2012	Beardsley et al.	8,215,531 B2	7/2012	Shelton, IV et al.
8,136,712 B2	3/2012	Zingman	8,215,532 B2	7/2012	Marczyk
8,136,713 B2	3/2012	Hathaway et al.	8,215,533 B2	7/2012	Viola et al.



# US D975,851 S

8,220,468 B2	7/2012	Cooper et al.	8,289,403 B2	10/2012	Dobashi et al.
8,220,688 B2	7/2012	Laurent et al.	8,290,883 B2	10/2012	Takeuchi et al.
8,220,690 B2	7/2012	Hess et al.	8,292,147 B2	10/2012	Viola
8,221,402 B2	7/2012	Francischelli et al.	8,292,148 B2	10/2012	Viola
8,221,424 B2	7/2012	Cha	8,292,150 B2	10/2012	Bryant
8,221,433 B2	7/2012	Lozier et al.	8,292,151 B2	10/2012	Viola
8,225,799 B2	7/2012	Bettuchi	8,292,152 B2	10/2012	Milliman et al.
8,225,979 B2	7/2012	Farascioni et al.	8,292,155 B2	10/2012	Shelton, IV et al.
8,226,553 B2	7/2012	Shelton, IV et al.	8,292,157 B2	10/2012	Smith et al.
8,226,635 B2	7/2012	Petrie et al.	8,292,158 B2	10/2012	Sapienza
8,226,675 B2	7/2012	Houser et al.	8,292,801 B2	10/2012	Dejima et al.
8,226,715 B2	7/2012	Hwang et al.	8,292,888 B2	10/2012	Whitman
8,227,946 B2	7/2012	Kim	8,292,906 B2	10/2012	Taylor et al.
8,228,020 B2	7/2012	Shin et al.	8,294,399 B2	10/2012	Suzuki et al.
8,228,048 B2	7/2012	Spencer	8,298,161 B2	10/2012	Vargas
8,229,549 B2	7/2012	Whitman et al.	8,298,189 B2	10/2012	Fisher et al.
8,231,040 B2	7/2012	Zemlok et al.	8,298,233 B2	10/2012	Mueller
8,231,042 B2	7/2012	Hessler et al.	8,298,677 B2	10/2012	Wiesner et al.
8,231,043 B2	7/2012	Tarinelli et al.	8,302,323 B2	11/2012	Fortier et al.
8,235,272 B2	8/2012	Nicholas et al.	8,303,621 B2	11/2012	Miyamoto et al.
8,235,274 B2	8/2012	Cappola	8,308,040 B2	11/2012	Huang et al.
8,236,010 B2	8/2012	Ortiz et al.	8,308,041 B2	11/2012	Kostrzewski
8,236,011 B2	8/2012	Harris et al.	8,308,042 B2	11/2012	Aranyi
8,236,020 B2	8/2012	Smith et al.	8,308,043 B2	11/2012	Bindra et al.
8,237,388 B2	8/2012	Jinno et al.	8,308,046 B2	11/2012	Prommersberger
8,240,537 B2	8/2012	Marczyk	8,308,659 B2	11/2012	Scheibe et al.
8,241,271 B2	8/2012	Milliman et al.	8,308,725 B2	11/2012	Bell et al.
8,241,284 B2	8/2012	Dycus et al.	8,310,188 B2	11/2012	Nakai
8,241,308 B2	8/2012	Kortenbach et al.	8,313,496 B2	11/2012	Sauer et al.
8,241,322 B2	8/2012	Whitman et al.	8,313,499 B2	11/2012	Magnusson et al.
8,245,594 B2	8/2012	Rogers et al.	8,313,509 B2	11/2012	Kostrzewski
8,245,898 B2	8/2012	Smith et al.	8,317,070 B2	11/2012	Hueil et al.
8,245,899 B2	8/2012	Swensgard et al.	8,317,071 B1	11/2012	Knodel
8,245,900 B2	8/2012	Scirica	8,317,074 B2	11/2012	Ortiz et al.
8,245,901 B2	8/2012	Stopek	8,317,437 B2	11/2012	Merkley et al.
8,246,608 B2	8/2012	Omori et al.	8,317,744 B2	11/2012	Kirschenman
8,246,637 B2	8/2012	Viola et al.	8,317,790 B2	11/2012	Bell et al.
8,252,009 B2	8/2012	Weller et al.	8,319,002 B2	11/2012	Daniels et al.
8,256,654 B2	9/2012	Bettuchi et al.	D672,784 S	12/2012	Clanton et al.
8,256,655 B2	9/2012	Sniffin et al.	8,322,455 B2	12/2012	Shelton, IV et al.
8,256,656 B2	9/2012	Milliman et al.	8,322,589 B2	12/2012	Boudreaux
8,257,251 B2	9/2012	Shelton, IV et al.	8,322,590 B2	12/2012	Patel et al.
8,257,356 B2	9/2012	Bleich et al.	8,322,901 B2	12/2012	Michelotti
8,257,386 B2	9/2012	Lee et al.	8,323,271 B2	12/2012	Humayun et al.
8,257,391 B2	9/2012	Orban, III et al.	8,323,789 B2	12/2012	Rozhin et al.
8,257,634 B2	9/2012	Scirica	8,324,585 B2	12/2012	McBroom et al.
8,258,745 B2	9/2012	Smith et al.	8,327,514 B2	12/2012	Kim
8,261,958 B1	9/2012	Knodel	8,328,061 B2	12/2012	Kasvikis
8,262,560 B2	9/2012	Whitman	8,328,062 B2	12/2012	Viola
8,262,655 B2	9/2012	Ghabrial et al.	8,328,063 B2	12/2012	Milliman et al.
8,266,232 B2	9/2012	Piper et al.	8,328,064 B2	12/2012	Racenet et al.
8,267,300 B2	9/2012	Boudreaux	8,328,065 B2	12/2012	Shah
8,267,849 B2	9/2012	Wazer et al.	8,328,802 B2	12/2012	Deville et al.
8,267,924 B2	9/2012	Zemlok et al.	8,328,823 B2	12/2012	Aranyi et al.
8,267,946 B2	9/2012	Whitfield et al.	8,333,313 B2	12/2012	Boudreaux et al.
8,267,951 B2	9/2012	Whayne et al.	8,333,691 B2	12/2012	Schaaf
8,268,344 B2	9/2012	Ma et al.	8,333,764 B2	12/2012	Francischelli et al.
8,269,121 B2	9/2012	Smith	8,333,779 B2	12/2012	Smith et al.
8,272,553 B2	9/2012	Mastri et al.	8,334,468 B2	12/2012	Palmer et al.
8,272,554 B2	9/2012	Whitman et al.	8,336,753 B2	12/2012	Olson et al.
8,272,918 B2	9/2012	Lam	8,336,754 B2	12/2012	Cappola et al.
8,273,404 B2	9/2012	Dave et al.	8,342,377 B2	1/2013	Milliman et al.
8,276,594 B2	10/2012	Shah	8,342,378 B2	1/2013	Marczyk et al.
8,276,801 B2	10/2012	Zemlok et al.	8,342,379 B2	1/2013	Whitman et al.
8,276,802 B2	10/2012	Kostrzewski	8,342,380 B2	1/2013	Viola
8,277,473 B2	10/2012	Sunaoshi et al.	8,343,150 B2	1/2013	Artale
8,281,446 B2	10/2012	Moskovich	8,347,978 B2	1/2013	Forster et al.
8,281,973 B2	10/2012	Wenchell et al.	8,348,118 B2	1/2013	Segura
8,281,974 B2	10/2012	Hessler et al.	8,348,123 B2	1/2013	Scirica et al.
8,282,654 B2	10/2012	Ferrari et al.	8,348,124 B2	1/2013	Scirica
8,285,367 B2	10/2012	Hyde et al.	8,348,125 B2	1/2013	Viola et al.
8,286,723 B2	10/2012	Puzio et al.	8,348,126 B2	1/2013	Olson et al.
8,286,845 B2	10/2012	Perry et al.	8,348,127 B2	1/2013	Marczyk
8,286,846 B2	10/2012	Smith et al.	8,348,129 B2	1/2013	Bedi et al.
8,286,847 B2	10/2012	Taylor	8,348,130 B2	1/2013	Shah et al.
8,287,487 B2	10/2012	Estes	8,348,131 B2	1/2013	Omaits et al.
8,287,522 B2	10/2012	Moses et al.	8,348,837 B2	1/2013	Wenchell
8,287,561 B2	10/2012	Nunez et al.	8,348,959 B2	1/2013	Wolford et al.
8,288,984 B2	10/2012	Yang	8,348,972 B2	1/2013	Soltz et al.



# US D975,851 S

8,349,987 B2	1/2013	Kapiamba et al.	8,414,469 B2	4/2013	Diolaiti
8,352,004 B2	1/2013	Mannheimer et al.	8,414,577 B2	4/2013	Boudreaux et al.
8,353,437 B2	1/2013	Boudreaux	8,414,598 B2	4/2013	Brock et al.
8,353,438 B2	1/2013	Baxter, III et al.	8,418,073 B2	4/2013	Mohr et al.
8,353,439 B2	1/2013	Baxter, III et al.	8,418,906 B2	4/2013	Farascioni et al.
8,356,740 B1	1/2013	Knodel	8,418,907 B2	4/2013	Johnson et al.
8,357,144 B2	1/2013	Whitman et al.	8,418,908 B1	4/2013	Beardsley
8,357,158 B2	1/2013	McKenna et al.	8,418,909 B2	4/2013	Kostrzewski
8,357,161 B2	1/2013	Mueller	8,419,635 B2	4/2013	Shelton, IV et al.
8,359,174 B2	1/2013	Nakashima et al.	8,419,717 B2	4/2013	Diolaiti et al.
8,360,296 B2	1/2013	Zingman	8,419,747 B2	4/2013	Hinman et al.
8,360,297 B2	1/2013	Shelton, IV et al.	8,419,754 B2	4/2013	Laby et al.
8,360,298 B2	1/2013	Farascioni et al.	8,419,755 B2	4/2013	Deem et al.
8,360,299 B2	1/2013	Zemlok et al.	8,423,182 B2	4/2013	Robinson et al.
8,361,501 B2	1/2013	DiTizio et al.	8,424,737 B2	4/2013	Scirica
D676,866 S	2/2013	Chaudhri	8,424,739 B2	4/2013	Racenet et al.
8,365,972 B2	2/2013	Aranyi et al.	8,424,740 B2	4/2013	Shelton, IV et al.
8,365,973 B1	2/2013	White et al.	8,424,741 B2	4/2013	McGuckin, Jr. et al.
8,365,975 B1	2/2013	Manoux et al.	8,425,600 B2	4/2013	Maxwell
8,365,976 B2	2/2013	Hess et al.	8,427,430 B2	4/2013	Lee et al.
8,366,559 B2	2/2013	Papenfuss et al.	8,430,292 B2	4/2013	Patel et al.
8,366,719 B2	2/2013	Markey et al.	8,430,892 B2	4/2013	Bindra et al.
8,366,787 B2	2/2013	Brown et al.	8,430,898 B2	4/2013	Wiener et al.
8,368,327 B2	2/2013	Benning et al.	8,435,257 B2	5/2013	Smith et al.
8,369,056 B2	2/2013	Senriuchi et al.	8,439,246 B1	5/2013	Knodel
8,371,393 B2	2/2013	Higuchi et al.	8,439,830 B2	5/2013	McKinley et al.
8,371,491 B2	2/2013	Huitema et al.	8,444,036 B2	5/2013	Shelton, IV
8,371,492 B2	2/2013	Aranyi et al.	8,444,037 B2	5/2013	Nicholas et al.
8,371,493 B2	2/2013	Aranyi et al.	8,444,549 B2	5/2013	Viola et al.
8,371,494 B2	2/2013	Racenet et al.	8,449,536 B2	5/2013	Selig
8,372,094 B2	2/2013	Bettuchi et al.	8,449,560 B2	5/2013	Roth et al.
8,374,723 B2	2/2013	Zhao et al.	8,453,904 B2	6/2013	Eskaros et al.
8,376,865 B2	2/2013	Forster et al.	8,453,906 B2	6/2013	Huang et al.
8,377,029 B2	2/2013	Nagao et al.	8,453,907 B2	6/2013	Laurent et al.
8,377,044 B2	2/2013	Coe et al.	8,453,908 B2	6/2013	Bedi et al.
8,377,059 B2	2/2013	Deville et al.	8,453,912 B2	6/2013	Mastri et al.
8,381,828 B2	2/2013	Whitman et al.	8,453,914 B2	6/2013	Laurent et al.
8,382,773 B2	2/2013	Whitfield et al.	8,454,495 B2	6/2013	Kawano et al.
8,382,790 B2	2/2013	Uenohara et al.	8,454,551 B2	6/2013	Allen et al.
D677,273 S	3/2013	Randall et al.	8,454,628 B2	6/2013	Smith et al.
8,387,848 B2	3/2013	Johnson et al.	8,454,640 B2	6/2013	Johnston et al.
8,388,633 B2	3/2013	Rousseau et al.	8,457,757 B2	6/2013	Cauller et al.
8,389,588 B2	3/2013	Ringeisen et al.	8,459,520 B2	6/2013	Giordano et al.
8,393,513 B2	3/2013	Jankowski	8,459,521 B2	6/2013	Zemlok et al.
8,393,514 B2	3/2013	Shelton, IV et al.	8,459,524 B2	6/2013	Pribanic et al.
8,393,516 B2	3/2013	Kostrzewski	8,459,525 B2	6/2013	Yates et al.
8,397,832 B2	3/2013	Blickle et al.	8,464,922 B2	6/2013	Marczyk
8,397,971 B2	3/2013	Yates et al.	8,464,923 B2	6/2013	Shelton, IV
8,397,972 B2	3/2013	Kostrzewski	8,464,924 B2	6/2013	Gresham et al.
8,397,973 B1	3/2013	Hausen	8,464,925 B2	6/2013	Hull et al.
8,398,633 B2	3/2013	Mueller	8,465,475 B2	6/2013	Isbell, Jr.
8,398,669 B2	3/2013	Kim	8,465,502 B2	6/2013	Zergiebel
8,398,673 B2	3/2013	Hinchliffe et al.	8,465,515 B2	6/2013	Drew et al.
8,398,674 B2	3/2013	Prestel	8,469,254 B2	6/2013	Czernik et al.
8,400,108 B2	3/2013	Powell et al.	8,469,946 B2	6/2013	Sugita
8,400,851 B2	3/2013	Byun	8,469,973 B2	6/2013	Meade et al.
8,403,138 B2	3/2013	Weisshaupt et al.	8,470,355 B2	6/2013	Skalla et al.
8,403,195 B2	3/2013	Beardsley et al.	D686,240 S	7/2013	Lin
8,403,196 B2	3/2013	Beardsley et al.	D686,244 S	7/2013	Moriya et al.
8,403,198 B2	3/2013	Sorrentino et al.	8,474,677 B2	7/2013	Woodard, Jr. et al.
8,403,832 B2	3/2013	Cunningham et al.	8,475,453 B2	7/2013	Marczyk et al.
8,403,926 B2	3/2013	Nobis et al.	8,475,454 B1	7/2013	Alshemari
8,403,945 B2	3/2013	Whitfield et al.	8,475,474 B2	7/2013	Bombard et al.
8,403,946 B2	3/2013	Whitfield et al.	8,479,968 B2	7/2013	Hodgkinson et al.
8,403,950 B2	3/2013	Palmer et al.	8,479,969 B2	7/2013	Shelton, IV
D680,646 S	4/2013	Hunt et al.	8,480,703 B2	7/2013	Nicholas et al.
8,408,439 B2	4/2013	Huang et al.	8,483,509 B2	7/2013	Matsuzaka
8,408,442 B2	4/2013	Racenet et al.	8,485,412 B2	7/2013	Shelton, IV et al.
8,409,079 B2	4/2013	Okamoto et al.	8,485,413 B2	7/2013	Scheib et al.
8,409,174 B2	4/2013	Omori	8,485,970 B2	7/2013	Widenhouse et al.
8,409,175 B2	4/2013	Lee et al.	8,486,047 B2	7/2013	Stope
8,409,211 B2	4/2013	Baroud	8,487,199 B2	7/2013	Palmer et al.
8,409,222 B2	4/2013	Whitfield et al.	8,487,487 B2	7/2013	Dietz et al.
8,409,223 B2	4/2013	Sorrentino et al.	8,490,851 B2	7/2013	Blier et al.
8,411,500 B2	4/2013	Gapihan et al.	8,490,852 B2	7/2013	Viola
8,413,661 B2	4/2013	Rousseau et al.	8,490,853 B2	7/2013	Criscuolo et al.
8,413,870 B2	4/2013	Pastorelli et al.	8,491,581 B2	7/2013	Deville et al.
8,413,871 B2	4/2013	Racenet et al.	8,491,603 B2	7/2013	Yeung et al.
8,413,872 B2	4/2013	Patel	8,496,153 B2	7/2013	Demmy et al.



# US D975,851 S

8,496,154 B2	7/2013	Marczyk et al.	8,579,897 B2	11/2013	Vakharia et al.
8,496,156 B2	7/2013	Sniffin et al.	8,579,937 B2	11/2013	Gresham
8,496,683 B2	7/2013	Prommersberger et al.	8,584,919 B2	11/2013	Hueil et al.
8,498,691 B2	7/2013	Moll et al.	8,584,920 B2	11/2013	Hodgkinson
8,499,673 B2	8/2013	Keller	8,584,921 B2	11/2013	Scirica
8,499,966 B2	8/2013	Palmer et al.	8,585,583 B2	11/2013	Sakaguchi et al.
8,499,992 B2	8/2013	Whitman et al.	8,585,598 B2	11/2013	Razzaque et al.
8,499,993 B2	8/2013	Shelton, IV et al.	8,585,721 B2	11/2013	Kirsch
8,499,994 B2	8/2013	D'Arcangelo	8,590,760 B2	11/2013	Cummins et al.
8,500,721 B2	8/2013	Jinno	8,590,762 B2	11/2013	Hess et al.
8,500,762 B2	8/2013	Sholev et al.	8,590,764 B2	11/2013	Hartwick et al.
8,502,091 B2	8/2013	Palmer et al.	8,591,400 B2	11/2013	Sugiyama
8,505,799 B2	8/2013	Viola et al.	8,596,515 B2	12/2013	Okoniewski
8,505,801 B2	8/2013	Ehrenfels et al.	8,597,745 B2	12/2013	Farnsworth et al.
8,506,555 B2	8/2013	Ruiz Morales	8,599,450 B2	12/2013	Kubo et al.
8,506,557 B2	8/2013	Zemlok et al.	8,602,125 B2	12/2013	King
8,506,580 B2	8/2013	Zergiebel et al.	8,602,287 B2	12/2013	Yates et al.
8,506,581 B2	8/2013	Wingardner, III et al.	8,602,288 B2	12/2013	Shelton, IV et al.
8,511,308 B2	8/2013	Hecox et al.	8,603,077 B2	12/2013	Cooper et al.
8,512,359 B2	8/2013	Whitman et al.	8,603,089 B2	12/2013	Viola
8,512,402 B2	8/2013	Marczyk et al.	8,603,110 B2	12/2013	Maruyama et al.
8,517,239 B2	8/2013	Scheib et al.	8,603,135 B2	12/2013	Mueller
8,517,241 B2	8/2013	Nicholas et al.	8,608,043 B2	12/2013	Scirica
8,517,243 B2	8/2013	Giordano et al.	8,608,044 B2	12/2013	Hueil et al.
8,517,244 B2	8/2013	Shelton, IV et al.	8,608,045 B2	12/2013	Smith et al.
8,517,938 B2	8/2013	Eisenhardt et al.	8,608,046 B2	12/2013	Laurent et al.
8,518,024 B2	8/2013	Williams et al.	8,608,745 B2	12/2013	Guzman et al.
8,521,273 B2	8/2013	Kliman	8,613,383 B2	12/2013	Beckman et al.
8,523,042 B2	9/2013	Masiakos et al.	8,613,384 B2	12/2013	Pastorelli et al.
8,523,043 B2	9/2013	Ullrich et al.	8,616,427 B2	12/2013	Viola
8,523,787 B2	9/2013	Ludwin et al.	8,616,431 B2	12/2013	Timm et al.
8,523,881 B2	9/2013	Cabiri et al.	8,617,155 B2	12/2013	Johnson et al.
8,523,882 B2	9/2013	Huitema et al.	8,620,473 B2	12/2013	Diolaiti et al.
8,523,900 B2	9/2013	Jinno et al.	8,622,274 B2	1/2014	Yates et al.
8,529,588 B2	9/2013	Ahlberg et al.	8,622,275 B2	1/2014	Baxter, III et al.
8,529,599 B2	9/2013	Holsten	8,627,993 B2	1/2014	Smith et al.
8,529,600 B2	9/2013	Woodard, Jr. et al.	8,627,994 B2	1/2014	Zemlok et al.
8,529,819 B2	9/2013	Ostapoff et al.	8,627,995 B2	1/2014	Smith et al.
8,532,747 B2	9/2013	Nock et al.	8,628,467 B2	1/2014	Whitman et al.
8,534,527 B2	9/2013	Brendel et al.	8,628,518 B2	1/2014	Blumenkranz et al.
8,534,528 B2	9/2013	Shelton, IV	8,628,544 B2	1/2014	Farascioni
8,535,304 B2	9/2013	Sklar et al.	8,628,545 B2	1/2014	Cabrera et al.
8,535,340 B2	9/2013	Allen	8,631,987 B2	1/2014	Shelton, IV et al.
8,539,866 B2	9/2013	Nayak et al.	8,631,992 B1	1/2014	Hausen et al.
8,540,128 B2	9/2013	Shelton, IV et al.	8,631,993 B2	1/2014	Kostrzewski
8,540,129 B2	9/2013	Baxter, III et al.	8,632,462 B2	1/2014	Yoo et al.
8,540,130 B2	9/2013	Moore et al.	8,632,525 B2	1/2014	Kerr et al.
8,540,131 B2	9/2013	Swayze	8,632,535 B2	1/2014	Shelton, IV et al.
8,540,133 B2	9/2013	Bedi et al.	8,632,539 B2	1/2014	Twomey et al.
8,540,646 B2	9/2013	Mendez-Coll	8,632,563 B2	1/2014	Nagase et al.
8,540,733 B2	9/2013	Whitman et al.	8,636,187 B2	1/2014	Hueil et al.
8,540,735 B2	9/2013	Mitelberg et al.	8,636,190 B2	1/2014	Zemlok et al.
8,550,984 B2	10/2013	Takemoto	8,636,191 B2	1/2014	Meagher
8,551,076 B2	10/2013	Duval et al.	8,636,193 B2	1/2014	Whitman et al.
8,555,660 B2	10/2013	Takenaka et al.	8,636,736 B2	1/2014	Yates et al.
8,556,151 B2	10/2013	Viola	8,636,766 B2	1/2014	Milliman et al.
8,556,918 B2	10/2013	Bauman et al.	8,639,936 B2	1/2014	Hu et al.
8,556,935 B1	10/2013	Knodel et al.	8,640,788 B2	2/2014	Dachs, II et al.
8,560,147 B2	10/2013	Taylor et al.	8,646,674 B2	2/2014	Schulte et al.
8,561,617 B2	10/2013	Lindh et al.	8,647,258 B2	2/2014	Aranyi et al.
8,561,870 B2	10/2013	Baxter, III et al.	8,652,120 B2	2/2014	Giordano et al.
8,561,871 B2	10/2013	Rajappa et al.	8,652,151 B2	2/2014	Lehman et al.
8,561,873 B2	10/2013	Ingmanson et al.	8,652,155 B2	2/2014	Houser et al.
8,562,592 B2	10/2013	Conlon et al.	8,656,929 B2	2/2014	Miller et al.
8,562,598 B2	10/2013	Falkenstein et al.	8,657,174 B2	2/2014	Yates et al.
8,567,656 B2	10/2013	Shelton, IV et al.	8,657,175 B2	2/2014	Sonnenschein et al.
8,568,416 B2	10/2013	Schmitz et al.	8,657,176 B2	2/2014	Shelton, IV et al.
8,568,425 B2	10/2013	Ross et al.	8,657,177 B2	2/2014	Scirica et al.
D692,916 S	11/2013	Granchi et al.	8,657,178 B2	2/2014	Hueil et al.
8,573,459 B2	11/2013	Smith et al.	8,657,482 B2	2/2014	Malackowski et al.
8,573,461 B2	11/2013	Shelton, IV et al.	8,657,808 B2	2/2014	McPherson et al.
8,573,462 B2	11/2013	Smith et al.	8,657,814 B2	2/2014	Werneth et al.
8,573,465 B2	11/2013	Shelton, IV	8,657,821 B2	2/2014	Palermo
8,574,199 B2	11/2013	von Bulow et al.	D701,238 S	3/2014	Lai et al.
8,574,263 B2	11/2013	Mueller	8,662,370 B2	3/2014	Takei
8,575,880 B2	11/2013	Grantz	8,663,106 B2	3/2014	Stivoric et al.
8,575,895 B2	11/2013	Garrastacho et al.	8,663,192 B2	3/2014	Hester et al.
8,579,176 B2	11/2013	Smith et al.	8,663,245 B2	3/2014	Francischelli et al.
8,579,178 B2	11/2013	Holsten et al.	8,663,262 B2	3/2014	Smith et al.



# US D975,851 S

Page 26

8,663,270 B2	3/2014	Donnigan et al.	8,753,664 B2	6/2014	Dao et al.
8,664,792 B2	3/2014	Rebsdorf	8,757,287 B2	6/2014	Mak
8,668,129 B2	3/2014	Olson	8,757,465 B2	6/2014	Woodard, Jr. et al.
8,668,130 B2	3/2014	Hess et al.	8,758,235 B2	6/2014	Jaworek
8,672,206 B2	3/2014	Aranyi et al.	8,758,366 B2	6/2014	McLean et al.
8,672,207 B2	3/2014	Shelton, IV et al.	8,758,391 B2	6/2014	Swayze et al.
8,672,208 B2	3/2014	Hess et al.	8,758,438 B2	6/2014	Boyce et al.
8,672,209 B2	3/2014	Crainich	8,763,875 B2	7/2014	Morgan et al.
8,672,922 B2	3/2014	Loh et al.	8,763,876 B2	7/2014	Kostrzewski
8,672,935 B2	3/2014	Okada et al.	8,763,877 B2	7/2014	Schall et al.
8,672,951 B2	3/2014	Smith et al.	8,763,879 B2	7/2014	Shelton, IV et al.
8,673,210 B2	3/2014	Deshays	8,764,732 B2	7/2014	Hartwell
8,675,820 B2	3/2014	Baic et al.	8,765,942 B2	7/2014	Feraud et al.
8,678,263 B2	3/2014	Viola	8,770,458 B2	7/2014	Scirica
8,678,994 B2	3/2014	Sonnenschein et al.	8,770,459 B2	7/2014	Racenet et al.
8,679,093 B2	3/2014	Farra	8,770,460 B2	7/2014	Belzer
8,679,098 B2	3/2014	Hart	8,771,169 B2	7/2014	Whitman et al.
8,679,137 B2	3/2014	Bauman et al.	8,771,260 B2	7/2014	Conlon et al.
8,679,154 B2	3/2014	Smith et al.	8,777,004 B2	7/2014	Shelton, IV et al.
8,679,156 B2	3/2014	Smith et al.	8,777,082 B2	7/2014	Scirica
8,679,454 B2	3/2014	Guire et al.	8,777,083 B2	7/2014	Racenet et al.
8,684,248 B2	4/2014	Milliman	8,777,898 B2	7/2014	Suon et al.
8,684,249 B2	4/2014	Racenet et al.	8,783,541 B2	7/2014	Shelton, IV et al.
8,684,250 B2	4/2014	Bettuchi et al.	8,783,542 B2	7/2014	Riestenberg et al.
8,684,253 B2	4/2014	Giordano et al.	8,783,543 B2	7/2014	Shelton, IV et al.
8,684,962 B2	4/2014	Kirschenman et al.	8,784,304 B2	7/2014	Mikkaichi et al.
8,685,004 B2	4/2014	Zemlock et al.	8,784,404 B2	7/2014	Doyle et al.
8,685,020 B2	4/2014	Weizman et al.	8,784,415 B2	7/2014	Malackowski et al.
8,690,893 B2	4/2014	Deitch et al.	8,789,737 B2	7/2014	Hodgkinson et al.
8,695,866 B2	4/2014	Leimbach et al.	8,789,739 B2	7/2014	Swensgard
8,696,665 B2	4/2014	Hunt et al.	8,789,740 B2	7/2014	Baxter, III et al.
8,701,958 B2	4/2014	Shelton, IV et al.	8,789,741 B2	7/2014	Baxter, III et al.
8,701,959 B2	4/2014	Shah	8,790,658 B2	7/2014	Cigarini et al.
8,706,316 B1	4/2014	Hoevenaar	8,790,684 B2	7/2014	Dave et al.
8,708,210 B2	4/2014	Zemlok et al.	D711,905 S	8/2014	Morrison et al.
8,708,211 B2	4/2014	Zemlok et al.	8,794,496 B2	8/2014	Scirica
8,708,212 B2	4/2014	Williams	8,794,497 B2	8/2014	Zingman
8,708,213 B2	4/2014	Shelton, IV et al.	8,795,159 B2	8/2014	Moriyama
8,709,012 B2	4/2014	Muller	8,795,276 B2	8/2014	Dietz et al.
8,714,352 B2	5/2014	Farascioni et al.	8,795,308 B2	8/2014	Valin
8,714,429 B2	5/2014	Demmy	8,795,324 B2	8/2014	Kawai et al.
8,714,430 B2	5/2014	Natarajan et al.	8,796,995 B2	8/2014	Cunanan et al.
8,715,256 B2	5/2014	Greener	8,800,681 B2	8/2014	Rousson et al.
8,715,302 B2	5/2014	Ibrahim et al.	8,800,837 B2	8/2014	Zemlok
8,720,766 B2	5/2014	Hess et al.	8,800,838 B2	8/2014	Shelton, IV
8,721,630 B2	5/2014	Ortiz et al.	8,800,839 B2	8/2014	Beetel
8,721,666 B2	5/2014	Schroeder et al.	8,800,840 B2	8/2014	Jankowski
8,727,197 B2	5/2014	Hess et al.	8,800,841 B2	8/2014	Ellerhorst et al.
8,727,199 B2	5/2014	Wenchell	8,801,710 B2	8/2014	Ullrich et al.
8,727,200 B2	5/2014	Roy	8,801,734 B2	8/2014	Shelton, IV et al.
8,727,961 B2	5/2014	Ziv	8,801,735 B2	8/2014	Shelton, IV et al.
8,728,099 B2	5/2014	Cohn et al.	8,801,752 B2	8/2014	Fortier et al.
8,728,119 B2	5/2014	Cummins	8,801,801 B2	8/2014	Datta et al.
8,733,470 B2	5/2014	Matthias et al.	8,806,973 B2	8/2014	Ross et al.
8,733,611 B2	5/2014	Milliman	8,807,414 B2	8/2014	Ross et al.
8,733,612 B2	5/2014	Ma	8,808,161 B2	8/2014	Gregg et al.
8,733,613 B2	5/2014	Huitema et al.	8,808,164 B2	8/2014	Hoffman et al.
8,733,614 B2	5/2014	Ross et al.	8,808,274 B2	8/2014	Hartwell
8,734,336 B2	5/2014	Bonadio et al.	8,808,294 B2	8/2014	Fox et al.
8,734,359 B2	5/2014	Ibanez et al.	8,808,308 B2	8/2014	Boukhny et al.
8,734,478 B2	5/2014	Widenhouse et al.	8,808,311 B2	8/2014	Heinrich et al.
8,734,831 B2	5/2014	Kim et al.	8,808,325 B2	8/2014	Hess et al.
8,739,033 B2	5/2014	Rosenberg	8,810,197 B2	8/2014	Juergens
8,739,417 B2	6/2014	Tokunaga et al.	8,811,017 B2	8/2014	Fujii et al.
8,740,034 B2	6/2014	Morgan et al.	8,813,866 B2	8/2014	Suzuki
8,740,037 B2	6/2014	Shelton, IV et al.	8,814,024 B2	8/2014	Woodard, Jr. et al.
8,740,038 B2	6/2014	Shelton, IV et al.	8,814,025 B2	8/2014	Miller et al.
8,740,987 B2	6/2014	Geremakis et al.	8,814,836 B2	8/2014	Ignon et al.
8,746,529 B2	6/2014	Shelton, IV et al.	8,815,594 B2	8/2014	Harris et al.
8,746,530 B2	6/2014	Giordano et al.	8,818,523 B2	8/2014	Olson et al.
8,746,533 B2	6/2014	Whitman et al.	8,820,603 B2	9/2014	Shelton, IV et al.
8,746,535 B2	6/2014	Shelton, IV et al.	8,820,605 B2	9/2014	Shelton, IV
8,747,238 B2	6/2014	Shelton, IV et al.	8,820,606 B2	9/2014	Hodgkinson
8,747,441 B2	6/2014	Konieczynski et al.	8,820,607 B2	9/2014	Marczyk
8,752,264 B2	6/2014	Ackley et al.	8,820,608 B2	9/2014	Miyamoto
8,752,699 B2	6/2014	Morgan et al.	8,821,514 B2	9/2014	Aranyi
8,752,747 B2	6/2014	Shelton, IV et al.	8,822,934 B2	9/2014	Sayeh et al.
8,752,748 B2	6/2014	Whitman et al.	8,825,164 B2	9/2014	Tweden et al.
8,752,749 B2	6/2014	Moore et al.	8,827,133 B2	9/2014	Shelton, IV et al.



# US D975,851 S

Page 27

8,827,134 B2	9/2014	Viola et al.	8,920,438 B2	12/2014	Aranyi et al.
8,827,903 B2	9/2014	Shelton, IV et al.	8,920,443 B2	12/2014	Hiles et al.
8,828,046 B2	9/2014	Stefanchik et al.	8,920,444 B2	12/2014	Hiles et al.
8,831,779 B2	9/2014	Ortmaier et al.	8,922,163 B2	12/2014	Macdonald
8,833,219 B2	9/2014	Pierce	8,925,782 B2	1/2015	Shelton, IV
8,833,630 B2	9/2014	Milliman	8,925,783 B2	1/2015	Zemlok et al.
8,833,632 B2	9/2014	Swensgard	8,925,788 B2	1/2015	Hess et al.
8,834,353 B2	9/2014	Dejima et al.	8,926,506 B2	1/2015	Widenhouse et al.
8,834,465 B2	9/2014	Ramstein et al.	8,926,598 B2	1/2015	Mollere et al.
8,834,498 B2	9/2014	Byrum et al.	8,931,576 B2	1/2015	Iwata
8,834,518 B2	9/2014	Faller et al.	8,931,679 B2	1/2015	Kostrzewski
8,840,003 B2	9/2014	Morgan et al.	8,931,680 B2	1/2015	Milliman
8,840,603 B2	9/2014	Shelton, IV et al.	8,931,682 B2	1/2015	Timm et al.
8,840,609 B2	9/2014	Stuebe	8,931,692 B2	1/2015	Sancak
8,840,876 B2	9/2014	Eemeta et al.	8,936,614 B2	1/2015	Allen, IV
8,844,789 B2	9/2014	Shelton, IV et al.	8,939,343 B2	1/2015	Milliman et al.
8,844,790 B2	9/2014	Demmy et al.	8,939,344 B2	1/2015	Olson et al.
8,845,622 B2	9/2014	Paik et al.	8,939,898 B2	1/2015	Omoto
8,851,215 B2	10/2014	Goto	8,944,069 B2	2/2015	Miller et al.
8,851,354 B2	10/2014	Swensgard et al.	8,945,095 B2	2/2015	Blumenkranz et al.
8,851,355 B2	10/2014	Aranyi et al.	8,945,098 B2	2/2015	Seibold et al.
8,852,174 B2	10/2014	Burbank	8,945,163 B2	2/2015	Voegele et al.
8,852,185 B2	10/2014	Twomey	8,955,732 B2	2/2015	Zemlok et al.
8,852,199 B2	10/2014	Deslauriers et al.	8,956,342 B1	2/2015	Russo et al.
8,852,218 B2	10/2014	Hughett, Sr. et al.	8,956,390 B2	2/2015	Shah et al.
8,857,693 B2	10/2014	Schuckmann et al.	8,958,860 B2	2/2015	Banerjee et al.
8,857,694 B2	10/2014	Shelton, IV et al.	8,960,519 B2	2/2015	Whitman et al.
8,858,538 B2	10/2014	Belson et al.	8,960,520 B2	2/2015	McCuen
8,858,547 B2	10/2014	Brogna	8,960,521 B2	2/2015	Kostrzewski
8,858,571 B2	10/2014	Shelton, IV et al.	8,961,191 B2	2/2015	Hanshew
8,858,590 B2	10/2014	Shelton, IV et al.	8,961,504 B2	2/2015	Hoarau et al.
8,864,007 B2	10/2014	Widenhouse et al.	8,961,542 B2	2/2015	Whitfield et al.
8,864,009 B2	10/2014	Shelton, IV et al.	8,963,714 B2	2/2015	Medhal et al.
8,864,010 B2	10/2014	Williams	D725,674 S	3/2015	Jung et al.
8,864,750 B2	10/2014	Ross et al.	8,967,443 B2	3/2015	McCuen
8,869,912 B2	10/2014	Roßkamp et al.	8,967,444 B2	3/2015	Beetel
8,869,913 B2	10/2014	Matthias et al.	8,967,446 B2	3/2015	Beardsley et al.
8,870,050 B2	10/2014	Hodgkinson	8,967,448 B2	3/2015	Carter et al.
8,870,867 B2	10/2014	Walberg et al.	8,968,276 B2	3/2015	Zemlok et al.
8,870,912 B2	10/2014	Brisson et al.	8,968,308 B2	3/2015	Horner et al.
8,871,829 B2	10/2014	Gerold et al.	8,968,312 B2	3/2015	Marczyk et al.
8,875,971 B2	11/2014	Hall et al.	8,968,337 B2	3/2015	Whitfield et al.
8,875,972 B2	11/2014	Weisenburgh, II et al.	8,968,340 B2	3/2015	Chowaniec et al.
8,876,698 B2	11/2014	Sakamoto et al.	8,968,355 B2	3/2015	Malkowski et al.
8,876,857 B2	11/2014	Burbank	8,968,358 B2	3/2015	Reschke
8,876,858 B2	11/2014	Braun	8,970,507 B2	3/2015	Holbein et al.
8,882,660 B2	11/2014	Phee et al.	8,973,803 B2	3/2015	Hall et al.
8,882,792 B2	11/2014	Dietz et al.	8,973,804 B2	3/2015	Hess et al.
8,884,560 B2	11/2014	Ito	8,973,805 B2	3/2015	Scirica et al.
8,887,979 B2	11/2014	Mastri et al.	8,974,440 B2	3/2015	Farritor et al.
8,888,688 B2	11/2014	Julian et al.	8,974,542 B2	3/2015	Fujimoto et al.
8,888,695 B2	11/2014	Piskun et al.	8,974,932 B2	3/2015	McGahan et al.
8,888,792 B2	11/2014	Harris et al.	8,978,954 B2	3/2015	Shelton, IV et al.
8,888,809 B2	11/2014	Davison et al.	8,978,955 B2	3/2015	Aronhalt et al.
8,893,946 B2	11/2014	Boudreaux et al.	8,978,956 B2	3/2015	Schall et al.
8,893,949 B2	11/2014	Shelton, IV et al.	8,979,843 B2	3/2015	Timm et al.
8,894,647 B2	11/2014	Beardsley et al.	8,979,890 B2	3/2015	Boudreaux
8,894,654 B2	11/2014	Anderson	8,982,195 B2	3/2015	Claus et al.
8,899,460 B2	12/2014	Wojcicki	8,984,711 B2	3/2015	Ota et al.
8,899,461 B2	12/2014	Farascioni	8,985,240 B2	3/2015	Winnard
8,899,462 B2	12/2014	Kostrzewski et al.	8,985,429 B2	3/2015	Balek et al.
8,899,463 B2	12/2014	Schall et al.	8,986,302 B2	3/2015	Aldridge et al.
8,899,464 B2	12/2014	Hueil et al.	8,989,903 B2	3/2015	Weir et al.
8,899,465 B2	12/2014	Shelton, IV et al.	8,991,676 B2	3/2015	Hess et al.
8,899,466 B2	12/2014	Baxter, III et al.	8,991,677 B2	3/2015	Moore et al.
8,900,267 B2	12/2014	Woolfson et al.	8,991,678 B2	3/2015	Wellman et al.
8,905,287 B2	12/2014	Racenet et al.	8,992,042 B2	3/2015	Eichenholz
8,905,977 B2	12/2014	Shelton et al.	8,992,422 B2	3/2015	Spivey et al.
8,910,846 B2	12/2014	Viola	8,992,565 B2	3/2015	Brisson et al.
8,910,847 B2	12/2014	Nalagatla et al.	8,996,165 B2	3/2015	Wang et al.
8,911,426 B2	12/2014	Coppeta et al.	8,998,058 B2	4/2015	Moore et al.
8,911,448 B2	12/2014	Stein	8,998,059 B2	4/2015	Smith et al.
8,911,460 B2	12/2014	Neurohr et al.	8,998,060 B2	4/2015	Bruewer et al.
8,911,471 B2	12/2014	Spivey et al.	8,998,061 B2	4/2015	Williams et al.
8,912,746 B2	12/2014	Reid et al.	8,998,939 B2	4/2015	Price et al.
8,915,842 B2	12/2014	Weisenburgh, II et al.	9,000,720 B2	4/2015	Stulen et al.
8,920,368 B2	12/2014	Sandhu et al.	9,002,518 B2	4/2015	Manzo et al.
8,920,433 B2	12/2014	Barrier et al.	9,004,339 B1	4/2015	Park
8,920,435 B2	12/2014	Smith et al.	9,004,799 B1	4/2015	Tibbits



# US D975,851 S

9,005,230 B2	4/2015	Yates et al.	9,078,654 B2	7/2015	Whitman et al.
9,005,238 B2	4/2015	DeSantis et al.	9,084,586 B2	7/2015	Hafner et al.
9,005,243 B2	4/2015	Stopek et al.	9,084,601 B2	7/2015	Moore et al.
9,010,606 B2	4/2015	Aranyi et al.	9,084,602 B2	7/2015	Gleiman
9,010,608 B2	4/2015	Casasanta, Jr. et al.	9,086,875 B2	7/2015	Harrat et al.
9,010,611 B2	4/2015	Ross et al.	9,089,326 B2	7/2015	Krumanaker et al.
9,011,437 B2	4/2015	Woodruff et al.	9,089,330 B2	7/2015	Widenhouse et al.
9,011,439 B2	4/2015	Shalaby et al.	9,089,338 B2	7/2015	Smith et al.
9,011,471 B2	4/2015	Timm et al.	9,089,352 B2	7/2015	Jeong
9,014,856 B2	4/2015	Manzo et al.	9,089,360 B2	7/2015	Messerly et al.
9,016,539 B2	4/2015	Kostrzewski et al.	9,091,588 B2	7/2015	Lefler
9,016,540 B2	4/2015	Whitman et al.	D736,792 S	8/2015	Brinda et al.
9,016,541 B2	4/2015	Viola et al.	9,095,339 B2	8/2015	Moore et al.
9,016,542 B2	4/2015	Shelton, IV et al.	9,095,346 B2	8/2015	Houser et al.
9,016,545 B2	4/2015	Aranyi et al.	9,095,362 B2	8/2015	Dachs, II et al.
9,017,331 B2	4/2015	Fox	9,095,367 B2	8/2015	Olson et al.
9,017,355 B2	4/2015	Smith et al.	9,095,642 B2	8/2015	Harder et al.
9,017,369 B2	4/2015	Renger et al.	9,096,033 B2	8/2015	Holop et al.
9,017,371 B2	4/2015	Whitman et al.	9,098,153 B2	8/2015	Shen et al.
9,017,849 B2	4/2015	Stulen et al.	9,099,863 B2	8/2015	Smith et al.
9,017,851 B2	4/2015	Felder et al.	9,099,877 B2	8/2015	Banos et al.
D729,274 S	5/2015	Clement et al.	9,099,922 B2	8/2015	Toosky et al.
9,021,684 B2	5/2015	Lenker et al.	9,101,358 B2	8/2015	Kerr et al.
9,023,014 B2	5/2015	Chowaniec et al.	9,101,359 B2	8/2015	Smith et al.
9,023,069 B2	5/2015	Kasvikis et al.	9,101,385 B2	8/2015	Shelton, IV et al.
9,023,071 B2	5/2015	Miller et al.	9,101,475 B2	8/2015	Wei et al.
9,026,347 B2	5/2015	Gadh et al.	9,101,621 B2	8/2015	Zeldis
9,027,817 B2	5/2015	Milliman et al.	9,107,663 B2	8/2015	Swensgard
9,028,468 B2	5/2015	Scarfogliero et al.	9,107,667 B2	8/2015	Hodgkinson
9,028,494 B2	5/2015	Shelton, IV et al.	9,107,690 B2	8/2015	Bales, Jr. et al.
9,028,495 B2	5/2015	Mueller et al.	9,110,587 B2	8/2015	Kim et al.
9,028,510 B2	5/2015	Miyamoto et al.	9,113,862 B2	8/2015	Morgan et al.
9,028,511 B2	5/2015	Weller et al.	9,113,864 B2	8/2015	Morgan et al.
9,028,519 B2	5/2015	Yates et al.	9,113,865 B2	8/2015	Shelton, IV et al.
9,028,529 B2	5/2015	Fox et al.	9,113,868 B2	8/2015	Felder et al.
9,030,166 B2	5/2015	Kano	9,113,873 B2	8/2015	Marczyk et al.
9,030,169 B2	5/2015	Christensen et al.	9,113,874 B2	8/2015	Shelton, IV et al.
9,033,203 B2	5/2015	Woodard, Jr. et al.	9,113,875 B2	8/2015	Viola et al.
9,033,204 B2	5/2015	Shelton, IV et al.	9,113,876 B2	8/2015	Zemlok et al.
9,034,505 B2	5/2015	Detry et al.	9,113,879 B2	8/2015	Felder et al.
9,038,881 B1	5/2015	Schaller et al.	9,113,880 B2	8/2015	Zemlok et al.
9,039,690 B2	5/2015	Kersten et al.	9,113,881 B2	8/2015	Scirica
9,039,694 B2	5/2015	Ross et al.	9,113,883 B2	8/2015	Aronhalt et al.
9,039,720 B2	5/2015	Madan	9,113,884 B2	8/2015	Shelton, IV et al.
9,039,736 B2	5/2015	Scirica et al.	9,113,887 B2	8/2015	Behnke, II et al.
9,040,062 B2	5/2015	Maeda et al.	9,119,615 B2	9/2015	Felder et al.
9,043,027 B2	5/2015	Durant et al.	9,119,657 B2	9/2015	Shelton, IV et al.
9,044,227 B2	6/2015	Shelton, IV et al.	9,119,898 B2	9/2015	Bayon et al.
9,044,228 B2	6/2015	Woodard, Jr. et al.	9,119,957 B2	9/2015	Gantz et al.
9,044,229 B2	6/2015	Scheib et al.	9,123,286 B2	9/2015	Park
9,044,230 B2	6/2015	Morgan et al.	9,124,097 B2	9/2015	Cruz
9,044,238 B2	6/2015	Orszulak	9,125,651 B2	9/2015	Mandakolathur Vasudevan et al.
9,044,241 B2	6/2015	Barner et al.	9,125,654 B2	9/2015	Aronhalt et al.
9,044,261 B2	6/2015	Houser	9,125,662 B2	9/2015	Shelton, IV
9,044,281 B2	6/2015	Pool et al.	9,126,317 B2	9/2015	Lawton et al.
9,050,083 B2	6/2015	Yates et al.	9,131,835 B2	9/2015	Widenhouse et al.
9,050,084 B2	6/2015	Schmid et al.	9,131,940 B2	9/2015	Huitema et al.
9,050,089 B2	6/2015	Orszulak	9,131,950 B2	9/2015	Matthew
9,050,100 B2	6/2015	Yates et al.	9,131,957 B2	9/2015	Skarbnik et al.
9,050,120 B2	6/2015	Swarup et al.	9,138,225 B2	9/2015	Huang et al.
9,050,123 B2	6/2015	Krause et al.	9,138,226 B2	9/2015	Racenet et al.
9,050,176 B2	6/2015	Datta et al.	9,144,455 B2	9/2015	Kennedy et al.
9,050,192 B2	6/2015	Mansmann	D740,414 S	10/2015	Katsura
9,055,941 B2	6/2015	Schmid et al.	D741,882 S	10/2015	Shmilov et al.
9,055,942 B2	6/2015	Balbierz et al.	9,149,274 B2	10/2015	Spivey et al.
9,055,943 B2	6/2015	Zemlok et al.	9,149,324 B2	10/2015	Huang et al.
9,055,944 B2	6/2015	Hodgkinson et al.	9,149,325 B2	10/2015	Worrell et al.
9,055,961 B2	6/2015	Manzo et al.	9,153,994 B2	10/2015	Wood et al.
9,060,770 B2	6/2015	Shelton, IV et al.	9,161,753 B2	10/2015	Prior
9,060,776 B2	6/2015	Yates et al.	9,161,769 B2	10/2015	Stoddard et al.
9,060,794 B2	6/2015	Kang et al.	9,161,803 B2	10/2015	Yates et al.
9,060,894 B2	6/2015	Wubbeling	9,161,807 B2	10/2015	Garrison
9,061,392 B2	6/2015	Forgues et al.	9,161,855 B2	10/2015	Rousseau et al.
9,070,068 B2	6/2015	Coveley et al.	9,164,271 B2	10/2015	Ebata et al.
9,072,515 B2	7/2015	Hall et al.	9,167,960 B2	10/2015	Yamaguchi et al.
9,072,523 B2	7/2015	Houser et al.	9,168,038 B2	10/2015	Shelton, IV et al.
9,072,535 B2	7/2015	Shelton, IV et al.	9,168,039 B1	10/2015	Knodel
9,072,536 B2	7/2015	Shelton, IV et al.	9,168,042 B2	10/2015	Milliman
9,078,653 B2	7/2015	Leimbach et al.	9,168,054 B2	10/2015	Turner et al.



# US D975,851 S

9,168,144 B2	10/2015	Rivin et al.	D749,623 S	2/2016	Gray et al.
9,171,244 B2	10/2015	Endou et al.	D750,122 S	2/2016	Shardlow et al.
9,179,832 B2	11/2015	Diolaiti	D750,129 S	2/2016	Kwon
9,179,911 B2	11/2015	Morgan et al.	9,254,131 B2	2/2016	Soltz et al.
9,179,912 B2	11/2015	Yates et al.	9,254,170 B2	2/2016	Parihar et al.
9,180,223 B2	11/2015	Yu et al.	9,259,265 B2	2/2016	Harris et al.
9,182,244 B2	11/2015	Luke et al.	9,259,274 B2	2/2016	Prisco
9,186,046 B2	11/2015	Ramamurthy et al.	9,259,275 B2	2/2016	Burbank
9,186,137 B2	11/2015	Farascioni et al.	9,261,172 B2	2/2016	Solomon et al.
9,186,140 B2	11/2015	Hiles et al.	9,265,500 B2	2/2016	Sorrentino et al.
9,186,142 B2	11/2015	Fanelli et al.	9,265,510 B2	2/2016	Dietzel et al.
9,186,143 B2	11/2015	Timm et al.	9,265,516 B2	2/2016	Casey et al.
9,186,148 B2	11/2015	Felder et al.	9,265,585 B2	2/2016	Wingardner et al.
9,186,221 B2	11/2015	Burbank	9,271,718 B2	3/2016	Milad et al.
9,192,376 B2	11/2015	Almodovar	9,271,727 B2	3/2016	McGuckin, Jr. et al.
9,192,380 B2	11/2015	(Tarinelli) Racenet et al.	9,271,753 B2	3/2016	Butler et al.
9,192,384 B2	11/2015	Bettuchi	9,271,799 B2	3/2016	Shelton, IV et al.
9,192,430 B2	11/2015	Rachlin et al.	9,272,406 B2	3/2016	Aronhalt et al.
9,192,434 B2	11/2015	Twomey et al.	9,274,095 B2	3/2016	Humayun et al.
9,193,045 B2	11/2015	Saur et al.	9,277,919 B2	3/2016	Timmer et al.
9,197,079 B2	11/2015	Yip et al.	9,277,922 B2	3/2016	Carter et al.
D744,528 S	12/2015	Agrawal	9,277,969 B2	3/2016	Brannan et al.
D746,459 S	12/2015	Kaercher et al.	9,282,962 B2	3/2016	Schmid et al.
9,198,642 B2	12/2015	Storz	9,282,963 B2	3/2016	Bryant
9,198,644 B2	12/2015	Balek et al.	9,282,966 B2	3/2016	Shelton, IV et al.
9,198,661 B2	12/2015	Swensgard	9,282,974 B2	3/2016	Shelton, IV
9,198,662 B2	12/2015	Barton et al.	9,283,028 B2	3/2016	Johnson
9,198,683 B2	12/2015	Friedman et al.	9,283,045 B2	3/2016	Rhee et al.
9,204,830 B2	12/2015	Zand et al.	9,283,054 B2	3/2016	Morgan et al.
9,204,877 B2	12/2015	Whitman et al.	9,289,206 B2	3/2016	Hess et al.
9,204,878 B2	12/2015	Hall et al.	9,289,207 B2	3/2016	Shelton, IV
9,204,879 B2	12/2015	Shelton, IV	9,289,210 B2	3/2016	Baxter, III et al.
9,204,880 B2	12/2015	Baxter, III et al.	9,289,211 B2	3/2016	Williams et al.
9,204,881 B2	12/2015	Penna	9,289,212 B2	3/2016	Shelton, IV et al.
9,204,923 B2	12/2015	Manzo et al.	9,289,225 B2	3/2016	Shelton, IV et al.
9,204,924 B2	12/2015	Marczyk et al.	9,289,256 B2	3/2016	Shelton, IV et al.
9,211,120 B2	12/2015	Scheib et al.	9,293,757 B2	3/2016	Toussaint et al.
9,211,121 B2	12/2015	Hall et al.	9,295,464 B2	3/2016	Shelton, IV et al.
9,211,122 B2	12/2015	Hagerty et al.	9,295,465 B2	3/2016	Farascioni
9,216,013 B2	12/2015	Scirica et al.	9,295,466 B2	3/2016	Hodgkinson et al.
9,216,019 B2	12/2015	Schmid et al.	9,295,467 B2	3/2016	Scirica
9,216,020 B2	12/2015	Zhang et al.	9,295,468 B2	3/2016	Heinrich et al.
9,216,030 B2	12/2015	Fan et al.	9,295,514 B2	3/2016	Shelton, IV et al.
9,216,062 B2	12/2015	Duque et al.	9,295,522 B2	3/2016	Kostrzewski
9,220,500 B2	12/2015	Swayze et al.	9,295,565 B2	3/2016	McLean
9,220,501 B2	12/2015	Baxter, III et al.	9,295,784 B2	3/2016	Eggert et al.
9,220,502 B2	12/2015	Zemlok et al.	D753,167 S	4/2016	Yu et al.
9,220,504 B2	12/2015	Viola et al.	9,301,691 B2	4/2016	Hufnagel et al.
9,220,508 B2	12/2015	Dannaher	9,301,752 B2	4/2016	Mandakolathur Vasudevan et al.
9,220,559 B2	12/2015	Worrell et al.	9,301,753 B2	4/2016	Aldridge et al.
9,220,570 B2	12/2015	Kim et al.	9,301,755 B2	4/2016	Shelton, IV et al.
D746,854 S	1/2016	Shardlow et al.	9,301,759 B2	4/2016	Spivey et al.
9,226,750 B2	1/2016	Weir et al.	9,301,811 B2	4/2016	Goldberg et al.
9,226,751 B2	1/2016	Shelton, IV et al.	9,307,965 B2	4/2016	Ming et al.
9,226,754 B2	1/2016	D'Agostino et al.	9,307,986 B2	4/2016	Hall et al.
9,226,760 B2	1/2016	Shelton, IV	9,307,987 B2	4/2016	Swensgard et al.
9,226,761 B2	1/2016	Burbank	9,307,988 B2	4/2016	Shelton, IV
9,226,767 B2	1/2016	Stulen et al.	9,307,989 B2	4/2016	Shelton, IV et al.
9,226,799 B2	1/2016	Lightcap et al.	9,307,994 B2	4/2016	Gresham et al.
9,232,941 B2	1/2016	Mandakolathur Vasudevan et al.	9,308,009 B2	4/2016	Madan et al.
9,232,945 B2	1/2016	Zingman	9,308,011 B2	4/2016	Chao et al.
9,232,979 B2	1/2016	Parihar et al.	9,308,646 B2	4/2016	Lim et al.
9,233,610 B2	1/2016	Kim et al.	9,313,915 B2	4/2016	Niu et al.
9,237,891 B2	1/2016	Shelton, IV	9,314,246 B2	4/2016	Shelton, IV et al.
9,237,892 B2	1/2016	Hodgkinson	9,314,247 B2	4/2016	Shelton, IV et al.
9,237,895 B2	1/2016	McCarthy et al.	9,314,261 B2	4/2016	Bales, Jr. et al.
9,237,900 B2	1/2016	Boudreaux et al.	9,314,291 B2	4/2016	Schall et al.
9,237,921 B2	1/2016	Messerly et al.	9,314,339 B2	4/2016	Mansmann
9,239,064 B2	1/2016	Helbig et al.	9,314,908 B2	4/2016	Tanimoto et al.
9,240,740 B2	1/2016	Zeng et al.	9,320,518 B2	4/2016	Henderson et al.
9,241,711 B2	1/2016	Ivanko	9,320,520 B2	4/2016	Shelton, IV et al.
9,241,712 B2	1/2016	Zemlok et al.	9,320,521 B2	4/2016	Shelton, IV et al.
9,241,714 B2	1/2016	Timm et al.	9,320,523 B2	4/2016	Shelton, IV et al.
9,241,716 B2	1/2016	Whitman	9,325,516 B2	4/2016	Pera et al.
9,241,731 B2	1/2016	Boudreaux et al.	D755,196 S	5/2016	Meyers et al.
9,241,758 B2	1/2016	Franer et al.	D756,373 S	5/2016	Raskin et al.
9,244,524 B2	1/2016	Inoue et al.	D756,377 S	5/2016	Connolly et al.
D748,668 S	2/2016	Kim et al.	D757,028 S	5/2016	Goldenberg et al.
D749,128 S	2/2016	Perez et al.	9,326,767 B2	5/2016	Koch et al.



# US D975,851 S

9,326,768 B2	5/2016	Shelton, IV	D763,277 S	8/2016	Ahmed et al.
9,326,769 B2	5/2016	Shelton, IV et al.	D764,498 S	8/2016	Capela et al.
9,326,770 B2	5/2016	Shelton, IV et al.	9,402,604 B2	8/2016	Williams et al.
9,326,771 B2	5/2016	Baxter, III et al.	9,402,625 B2	8/2016	Coleman et al.
9,326,788 B2	5/2016	Batross et al.	9,402,626 B2	8/2016	Ortiz et al.
9,326,812 B2	5/2016	Waalder et al.	9,402,627 B2	8/2016	Stevenson et al.
9,326,824 B2	5/2016	Inoue et al.	9,402,629 B2	8/2016	Ehrenfels et al.
9,327,061 B2	5/2016	Govil et al.	9,402,679 B2	8/2016	Ginnebaugh et al.
9,331,721 B2	5/2016	Martinez Nuevo et al.	9,402,682 B2	8/2016	Worrell et al.
9,332,890 B2	5/2016	Ozawa	9,402,688 B2	8/2016	Min et al.
9,332,974 B2	5/2016	Henderson et al.	9,408,604 B2	8/2016	Shelton, IV et al.
9,332,984 B2	5/2016	Weaner et al.	9,408,605 B1	8/2016	Knodel et al.
9,332,987 B2	5/2016	Leimbach et al.	9,408,606 B2	8/2016	Shelton, IV
9,333,040 B2	5/2016	Shellenberger et al.	9,408,622 B2	8/2016	Stulen et al.
9,333,082 B2	5/2016	Wei et al.	9,411,370 B2	8/2016	Benni et al.
9,337,668 B2	5/2016	Yip	9,413,128 B2	8/2016	Tien et al.
9,339,226 B2	5/2016	van der Walt et al.	9,414,838 B2	8/2016	Shelton, IV et al.
9,339,342 B2	5/2016	Prisco et al.	9,414,849 B2	8/2016	Nagashimada
9,345,477 B2	5/2016	Anim et al.	9,414,880 B2	8/2016	Monson et al.
9,345,479 B2	5/2016	(Tarinelli) Racenet et al.	9,420,967 B2	8/2016	Zand et al.
9,345,480 B2	5/2016	Hessler et al.	9,421,003 B2	8/2016	Williams et al.
9,345,481 B2	5/2016	Hall et al.	9,421,014 B2	8/2016	Ingmanson et al.
9,345,503 B2	5/2016	Ishida et al.	9,421,030 B2	8/2016	Cole et al.
9,351,726 B2	5/2016	Leimbach et al.	9,421,060 B2	8/2016	Monson et al.
9,351,727 B2	5/2016	Leimbach et al.	9,421,062 B2	8/2016	Houser et al.
9,351,728 B2	5/2016	Sniffin et al.	9,421,682 B2	8/2016	McClaskey et al.
9,351,730 B2	5/2016	Schmid et al.	9,427,223 B2	8/2016	Park et al.
9,351,731 B2	5/2016	Carter et al.	9,427,231 B2	8/2016	Racenet et al.
9,351,732 B2	5/2016	Hodgkinson	9,429,204 B2	8/2016	Stefan et al.
9,352,071 B2	5/2016	Landgrebe et al.	D767,624 S	9/2016	Lee et al.
D758,433 S	6/2016	Lee et al.	9,433,411 B2	9/2016	Racenet et al.
D759,063 S	6/2016	Chen	9,433,414 B2	9/2016	Chen et al.
9,358,003 B2	6/2016	Hall et al.	9,433,419 B2	9/2016	Gonzalez et al.
9,358,004 B2	6/2016	Sniffin et al.	9,433,420 B2	9/2016	Hodgkinson
9,358,005 B2	6/2016	Shelton, IV et al.	9,439,649 B2	9/2016	Shelton, IV et al.
9,358,015 B2	6/2016	Sorrentino et al.	9,439,650 B2	9/2016	McGuckin, Jr. et al.
9,358,031 B2	6/2016	Manzo	9,439,651 B2	9/2016	Smith et al.
9,358,065 B2	6/2016	Ladtkow et al.	9,439,668 B2	9/2016	Timm et al.
9,364,217 B2	6/2016	Kostrzewski et al.	9,445,808 B2	9/2016	Woodard, Jr. et al.
9,364,219 B2	6/2016	Olson et al.	9,445,813 B2	9/2016	Shelton, IV et al.
9,364,220 B2	6/2016	Williams	9,445,816 B2	9/2016	Swayze et al.
9,364,223 B2	6/2016	Scirica	9,445,817 B2	9/2016	Bettuchi
9,364,226 B2	6/2016	Zemlok et al.	9,446,226 B2	9/2016	Zilberman
9,364,228 B2	6/2016	Straehnz et al.	9,451,938 B2	9/2016	Overes et al.
9,364,229 B2	6/2016	D'Agostino et al.	9,451,958 B2	9/2016	Shelton, IV et al.
9,364,230 B2	6/2016	Shelton, IV et al.	9,452,020 B2	9/2016	Griffiths et al.
9,364,231 B2	6/2016	Wenchell	D768,152 S	10/2016	Gutierrez et al.
9,364,233 B2	6/2016	Alexander, III et al.	D768,156 S	10/2016	Frincke
9,364,279 B2	6/2016	Houser et al.	D768,167 S	10/2016	Jones et al.
9,368,991 B2	6/2016	Qahouq	D769,315 S	10/2016	Scotti
9,370,341 B2	6/2016	Ceniccola et al.	D769,930 S	10/2016	Agrawal
9,370,358 B2	6/2016	Shelton, IV et al.	9,461,340 B2	10/2016	Li et al.
9,370,361 B2	6/2016	Viola et al.	9,463,012 B2	10/2016	Bonutti et al.
9,370,362 B2	6/2016	Petty et al.	9,463,040 B2	10/2016	Jeong et al.
9,370,364 B2	6/2016	Smith et al.	9,463,260 B2	10/2016	Stopek
9,370,400 B2	6/2016	Parihar	9,468,438 B2	10/2016	Baber et al.
9,375,206 B2	6/2016	Vidal et al.	9,468,447 B2	10/2016	Aman et al.
9,375,218 B2	6/2016	Wheeler et al.	9,470,297 B2	10/2016	Aranyi et al.
9,375,230 B2	6/2016	Ross et al.	9,471,969 B2	10/2016	Zeng et al.
9,375,232 B2	6/2016	Hunt et al.	9,474,506 B2	10/2016	Magnin et al.
9,375,255 B2	6/2016	Houser et al.	9,474,513 B2	10/2016	Ishida et al.
D761,309 S	7/2016	Lee et al.	9,474,523 B2	10/2016	Meade et al.
9,381,058 B2	7/2016	Houser et al.	9,474,540 B2	10/2016	Stokes et al.
9,383,881 B2	7/2016	Day et al.	9,475,180 B2	10/2016	Eshleman et al.
9,385,640 B2	7/2016	Sun et al.	D770,476 S	11/2016	Jitkoff et al.
9,386,983 B2	7/2016	Swensgard et al.	D770,515 S	11/2016	Cho et al.
9,386,984 B2	7/2016	Aronhalt et al.	D771,116 S	11/2016	Dellinger et al.
9,386,985 B2	7/2016	Koch, Jr. et al.	D772,905 S	11/2016	Ingenlath
9,386,988 B2	7/2016	Baxter, III et al.	9,480,476 B2	11/2016	Aldridge et al.
9,387,003 B2	7/2016	Kaercher et al.	9,480,492 B2	11/2016	Aranyi et al.
9,392,885 B2	7/2016	Vogler et al.	9,483,095 B2	11/2016	Tran et al.
9,393,015 B2	7/2016	Laurent et al.	9,486,186 B2	11/2016	Fiebig et al.
9,393,017 B2	7/2016	Flanagan et al.	9,486,213 B2	11/2016	Altman et al.
9,393,018 B2	7/2016	Wang et al.	9,486,214 B2	11/2016	Shelton, IV
9,393,354 B2	7/2016	Freedman et al.	9,486,215 B2	11/2016	Olson et al.
9,396,369 B1	7/2016	Whitehurst et al.	9,486,302 B2	11/2016	Boey et al.
9,396,669 B2	7/2016	Karkanias et al.	9,488,197 B2	11/2016	Wi
9,398,905 B2	7/2016	Martin	9,492,146 B2	11/2016	Kostrzewski et al.
9,398,911 B2	7/2016	Auld	9,492,167 B2	11/2016	Shelton, IV et al.



# US D975,851 S

Page 31

9,492,170 B2	11/2016	Bear et al.	9,585,659 B2	3/2017	Viola et al.
9,492,172 B2	11/2016	Weisshaupt et al.	9,585,660 B2	3/2017	Laurent et al.
9,492,189 B2	11/2016	Williams et al.	9,585,662 B2	3/2017	Shelton, IV et al.
9,492,192 B2	11/2016	To et al.	9,585,663 B2	3/2017	Shelton, IV et al.
9,492,237 B2	11/2016	Kang et al.	9,585,672 B2	3/2017	Bastia
9,498,213 B2	11/2016	Marczyk et al.	9,590,433 B2	3/2017	Li
9,498,219 B2	11/2016	Moore et al.	9,592,050 B2	3/2017	Schmid et al.
9,498,231 B2	11/2016	Haider et al.	9,592,052 B2	3/2017	Shelton, IV
9,504,455 B2	11/2016	Whitman et al.	9,592,053 B2	3/2017	Shelton, IV et al.
9,504,483 B2	11/2016	Houser et al.	9,592,054 B2	3/2017	Schmid et al.
9,504,520 B2	11/2016	Worrell et al.	9,597,073 B2	3/2017	Sorrentino et al.
9,504,521 B2	11/2016	Deutmeyer et al.	9,597,075 B2	3/2017	Shelton, IV et al.
9,504,528 B2	11/2016	Ivinson et al.	9,597,078 B2	3/2017	Scirica et al.
9,507,399 B2	11/2016	Chien	9,597,080 B2	3/2017	Milliman et al.
D774,547 S	12/2016	Capela et al.	9,597,104 B2	3/2017	Nicholas et al.
D775,336 S	12/2016	Shelton, IV et al.	9,597,143 B2	3/2017	Madan et al.
9,510,827 B2	12/2016	Kostrzewski	9,603,595 B2	3/2017	Shelton, IV et al.
9,510,828 B2	12/2016	Yates et al.	9,603,598 B2	3/2017	Shelton, IV et al.
9,510,830 B2	12/2016	Shelton, IV et al.	9,603,599 B2	3/2017	Miller et al.
9,510,846 B2	12/2016	Sholev et al.	9,603,991 B2	3/2017	Shelton, IV et al.
9,510,895 B2	12/2016	Houser et al.	D783,658 S	4/2017	Hurst et al.
9,510,925 B2	12/2016	Hotter et al.	9,610,068 B2	4/2017	Kappel et al.
9,517,063 B2	12/2016	Swayze et al.	9,610,079 B2	4/2017	Kamei et al.
9,517,065 B2	12/2016	Simms et al.	9,610,080 B2	4/2017	Whitfield et al.
9,517,068 B2	12/2016	Shelton, IV et al.	9,610,412 B2	4/2017	Zemlok et al.
9,517,326 B2	12/2016	Hinman et al.	9,614,258 B2	4/2017	Takahashi et al.
9,521,996 B2	12/2016	Armstrong	9,615,826 B2	4/2017	Shelton, IV et al.
9,522,003 B2	12/2016	Weir et al.	9,622,745 B2	4/2017	Ingmanson et al.
9,522,014 B2	12/2016	Nishizawa et al.	9,622,746 B2	4/2017	Simms et al.
9,522,029 B2	12/2016	Yates et al.	9,629,623 B2	4/2017	Lytte, IV et al.
9,526,481 B2	12/2016	Storz et al.	9,629,626 B2	4/2017	Soltz et al.
9,526,499 B2	12/2016	Kostrzewski et al.	9,629,627 B2	4/2017	Kostrzewski et al.
9,526,563 B2	12/2016	Twomey	9,629,628 B2	4/2017	Aranyi
9,526,564 B2	12/2016	Rusin	9,629,629 B2	4/2017	Leimbach et al.
9,526,921 B2	12/2016	Kimball et al.	9,629,631 B2	4/2017	Nicholas et al.
D776,683 S	1/2017	Gobinski et al.	9,629,632 B2	4/2017	Linder et al.
D777,773 S	1/2017	Shi	9,629,652 B2	4/2017	Mumaw et al.
9,532,783 B2	1/2017	Swayze et al.	9,629,814 B2	4/2017	Widenhouse et al.
9,539,060 B2	1/2017	Lightcap et al.	D785,794 S	5/2017	Magno, Jr.
9,539,726 B2	1/2017	Simaan et al.	D786,280 S	5/2017	Ma
9,545,253 B2	1/2017	Worrell et al.	D786,896 S	5/2017	Kim et al.
9,545,258 B2	1/2017	Smith et al.	D787,547 S	5/2017	Basargin et al.
9,549,732 B2	1/2017	Yates et al.	D788,123 S	5/2017	Shan et al.
9,549,733 B2	1/2017	Knodel	D788,140 S	5/2017	Hemsley et al.
9,549,735 B2	1/2017	Shelton, IV et al.	9,636,091 B2	5/2017	Beardsley et al.
9,549,750 B2	1/2017	Shelton, IV et al.	9,636,111 B2	5/2017	Wenchell
9,554,794 B2	1/2017	Baber et al.	9,636,112 B2	5/2017	Penna et al.
9,554,796 B2	1/2017	Kostrzewski	9,636,113 B2	5/2017	Wenchell
9,554,803 B2	1/2017	Smith et al.	9,636,850 B2	5/2017	Stopek (nee Prommersberger) et al.
9,554,812 B2	1/2017	Inkpen et al.			
9,554,854 B2	1/2017	Yates et al.	9,641,122 B2	5/2017	Romanowich et al.
9,559,624 B2	1/2017	Philipp	9,642,620 B2	5/2017	Baxter, III et al.
9,561,013 B2	2/2017	Tsuchiya	9,642,642 B2	5/2017	Lim
9,561,029 B2	2/2017	Scheib et al.	9,649,096 B2	5/2017	Sholev
9,561,030 B2	2/2017	Zhang et al.	9,649,110 B2	5/2017	Parihar et al.
9,561,031 B2	2/2017	Heinrich et al.	9,649,111 B2	5/2017	Shelton, IV et al.
9,561,032 B2	2/2017	Shelton, IV et al.	9,649,190 B2	5/2017	Mathies
9,561,038 B2	2/2017	Shelton, IV et al.	9,655,613 B2	5/2017	Schaller
9,561,045 B2	2/2017	Hinman et al.	9,655,614 B2	5/2017	Swensgard et al.
9,561,072 B2	2/2017	Ko	9,655,615 B2	5/2017	Knodel et al.
9,566,061 B2	2/2017	Aronhalt et al.	9,655,616 B2	5/2017	Aranyi
9,566,062 B2	2/2017	Boudreaux	9,655,624 B2	5/2017	Shelton, IV et al.
9,566,064 B2	2/2017	Williams et al.	9,661,991 B2	5/2017	Glossop
9,566,065 B2	2/2017	Knodel	9,662,108 B2	5/2017	Williams
9,566,067 B2	2/2017	Milliman et al.	9,662,110 B2	5/2017	Huang et al.
9,572,574 B2	2/2017	Shelton, IV et al.	9,662,111 B2	5/2017	Holsten et al.
9,572,576 B2	2/2017	Hodgkinson et al.	9,662,116 B2	5/2017	Smith et al.
9,572,577 B2	2/2017	Lloyd et al.	9,662,131 B2	5/2017	Omori et al.
9,572,592 B2	2/2017	Price et al.	D788,792 S	6/2017	Alessandri et al.
9,574,644 B2	2/2017	Parihar	D789,384 S	6/2017	Lin et al.
9,579,088 B2	2/2017	Farritor et al.	D790,570 S	6/2017	Butcher et al.
9,579,143 B2	2/2017	Ullrich et al.	9,668,728 B2	6/2017	Williams et al.
9,579,158 B2	2/2017	Brianza et al.	9,668,729 B2	6/2017	Williams et al.
D780,803 S	3/2017	Gill et al.	9,668,732 B2	6/2017	Patel et al.
D781,879 S	3/2017	Butcher et al.	9,668,733 B2	6/2017	Williams
D782,530 S	3/2017	Paek et al.	9,668,734 B2	6/2017	Kostrzewski et al.
9,585,550 B2	3/2017	Abel et al.	9,668,735 B2	6/2017	Beetel
9,585,657 B2	3/2017	Shelton, IV et al.	9,675,344 B2	6/2017	Combrowski et al.
9,585,658 B2	3/2017	Shelton, IV	9,675,348 B2	6/2017	Smith et al.



# US D975,851 S

9,675,351 B2	6/2017	Hodgkinson et al.	D798,319 S	9/2017	Bergstrand et al.
9,675,354 B2	6/2017	Weir et al.	9,750,498 B2	9/2017	Timm et al.
9,675,355 B2	6/2017	Shelton, IV et al.	9,750,499 B2	9/2017	Leimbach et al.
9,675,368 B2	6/2017	Guo et al.	9,750,501 B2	9/2017	Shelton, IV et al.
9,675,372 B2	6/2017	Laurent et al.	9,750,502 B2	9/2017	Scirica et al.
9,675,375 B2	6/2017	Houser et al.	9,750,503 B2	9/2017	Milliman
9,675,405 B2	6/2017	Trees et al.	9,750,639 B2	9/2017	Barnes et al.
9,675,819 B2	6/2017	Dunbar et al.	9,757,123 B2	9/2017	Giordano et al.
9,681,870 B2	6/2017	Baxter, III et al.	9,757,124 B2	9/2017	Schellin et al.
9,681,873 B2	6/2017	Smith et al.	9,757,126 B2	9/2017	Cappola
9,681,884 B2	6/2017	Clem et al.	9,757,128 B2	9/2017	Baber et al.
9,687,230 B2	6/2017	Leimbach et al.	9,757,129 B2	9/2017	Williams
9,687,231 B2	6/2017	Baxter, III et al.	9,757,130 B2	9/2017	Shelton, IV
9,687,232 B2	6/2017	Shelton, IV et al.	9,763,662 B2	9/2017	Shelton, IV et al.
9,687,233 B2	6/2017	Fernandez et al.	9,763,668 B2	9/2017	Whitfield et al.
9,687,236 B2	6/2017	Leimbach et al.	9,770,245 B2	9/2017	Swayze et al.
9,687,237 B2	6/2017	Schmid et al.	9,770,274 B2	9/2017	Pool et al.
9,687,253 B2	6/2017	Detry et al.	D798,886 S	10/2017	Prophete et al.
9,689,466 B2	6/2017	Kanai et al.	D800,742 S	10/2017	Rhodes
9,690,362 B2	6/2017	Leimbach et al.	D800,744 S	10/2017	Jitkoff et al.
9,693,772 B2	7/2017	Ingmanson et al.	D800,766 S	10/2017	Park et al.
9,693,774 B2	7/2017	Gettinger et al.	D800,904 S	10/2017	Leimbach et al.
9,693,775 B2	7/2017	Agarwal et al.	9,775,608 B2	10/2017	Aronhalt et al.
9,693,777 B2	7/2017	Schellin et al.	9,775,609 B2	10/2017	Shelton, IV et al.
9,700,309 B2	7/2017	Jaworek et al.	9,775,610 B2	10/2017	Nicholas et al.
9,700,310 B2	7/2017	Morgan et al.	9,775,611 B2	10/2017	Kostrzewski
9,700,312 B2	7/2017	Kostrzewski et al.	9,775,613 B2	10/2017	Shelton, IV et al.
9,700,314 B2	7/2017	Marczyk	9,775,614 B2	10/2017	Shelton, IV et al.
9,700,315 B2	7/2017	Chen et al.	9,775,618 B2	10/2017	Bettuchi et al.
9,700,317 B2	7/2017	Aronhalt et al.	9,775,635 B2	10/2017	Takei
9,700,318 B2	7/2017	Scirica et al.	9,775,678 B2	10/2017	Lohmeier
9,700,319 B2	7/2017	Motooka et al.	9,782,169 B2	10/2017	Kimsey et al.
9,700,320 B2	7/2017	Dinando et al.	9,782,170 B2	10/2017	Zemlok et al.
9,700,321 B2	7/2017	Shelton, IV et al.	9,782,180 B2	10/2017	Smith et al.
9,700,334 B2	7/2017	Hinman et al.	9,782,187 B2	10/2017	Zergiebel et al.
9,702,823 B2	7/2017	Maher et al.	9,782,193 B2	10/2017	Thistle
9,706,674 B2	7/2017	Collins et al.	9,782,214 B2	10/2017	Houser et al.
9,706,981 B2	7/2017	Nicholas et al.	9,788,834 B2	10/2017	Schmid et al.
9,706,991 B2	7/2017	Hess et al.	9,788,835 B2	10/2017	Morgan et al.
9,706,993 B2	7/2017	Hessler et al.	9,788,836 B2	10/2017	Overmyer et al.
9,707,003 B2	7/2017	Hoell, Jr. et al.	9,788,847 B2	10/2017	Jinno
9,707,005 B2	7/2017	Strobl et al.	9,788,851 B2	10/2017	Dannaher et al.
9,707,026 B2	7/2017	Malackowski et al.	9,788,902 B2	10/2017	Inoue et al.
9,707,033 B2	7/2017	Parihar et al.	9,795,379 B2	10/2017	Leimbach et al.
9,707,043 B2	7/2017	Bozung	9,795,380 B2	10/2017	Shelton, IV et al.
9,707,684 B2	7/2017	Ruiz Morales et al.	9,795,381 B2	10/2017	Shelton, IV
9,713,468 B2	7/2017	Harris et al.	9,795,382 B2	10/2017	Shelton, IV
9,713,470 B2	7/2017	Scirica et al.	9,795,383 B2	10/2017	Aldridge et al.
9,713,474 B2	7/2017	Lorenz	9,795,384 B2	10/2017	Weaner et al.
D795,919 S	8/2017	Bischoff et al.	9,797,486 B2	10/2017	Zergiebel et al.
9,717,497 B2	8/2017	Zerkle et al.	9,801,626 B2	10/2017	Parihar et al.
9,717,498 B2	8/2017	Aranyi et al.	9,801,627 B2	10/2017	Harris et al.
9,718,190 B2	8/2017	Larkin et al.	9,801,628 B2	10/2017	Harris et al.
9,722,236 B2	8/2017	Sathrum	9,801,634 B2	10/2017	Shelton, IV et al.
9,724,091 B2	8/2017	Shelton, IV et al.	9,802,033 B2	10/2017	Hibner et al.
9,724,092 B2	8/2017	Baxter, III et al.	9,804,618 B2	10/2017	Leimbach et al.
9,724,094 B2	8/2017	Baber et al.	D803,234 S	11/2017	Day et al.
9,724,095 B2	8/2017	Gupta et al.	D803,235 S	11/2017	Markson et al.
9,724,096 B2	8/2017	Thompson et al.	D803,850 S	11/2017	Chang et al.
9,724,098 B2	8/2017	Baxter, III et al.	9,808,244 B2	11/2017	Leimbach et al.
9,724,118 B2	8/2017	Schulte et al.	9,808,246 B2	11/2017	Shelton, IV et al.
9,724,163 B2	8/2017	Orban	9,808,247 B2	11/2017	Shelton, IV et al.
9,730,692 B2	8/2017	Shelton, IV et al.	9,808,248 B2	11/2017	Hoffman
9,730,695 B2	8/2017	Leimbach et al.	9,808,249 B2	11/2017	Shelton, IV
9,730,697 B2	8/2017	Morgan et al.	9,814,460 B2	11/2017	Kimsey et al.
9,730,717 B2	8/2017	Katsuki et al.	9,814,462 B2	11/2017	Woodard, Jr. et al.
9,730,757 B2	8/2017	Brudniok	9,814,463 B2	11/2017	Williams et al.
9,731,410 B2	8/2017	Hirabayashi et al.	9,814,530 B2	11/2017	Weir et al.
9,733,663 B2	8/2017	Leimbach et al.	9,814,561 B2	11/2017	Forsell
9,737,297 B2	8/2017	Racenet et al.	9,815,118 B1	11/2017	Schmitt et al.
9,737,298 B2	8/2017	Isbell, Jr.	9,820,445 B2	11/2017	Simpson et al.
9,737,299 B2	8/2017	Yan	9,820,737 B2	11/2017	Beardsley et al.
9,737,301 B2	8/2017	Baber et al.	9,820,738 B2	11/2017	Lytle, IV et al.
9,737,302 B2	8/2017	Shelton, IV et al.	9,820,741 B2	11/2017	Kostrzewski
9,737,303 B2	8/2017	Shelton, IV et al.	9,820,768 B2	11/2017	Gee et al.
9,737,365 B2	8/2017	Hegeman et al.	9,825,455 B2	11/2017	Sandhu et al.
9,743,927 B2	8/2017	Whitman	9,826,976 B2	11/2017	Parihar et al.
9,743,928 B2	8/2017	Shelton, IV et al.	9,826,977 B2	11/2017	Leimbach et al.
9,743,929 B2	8/2017	Leimbach et al.	9,826,978 B2	11/2017	Shelton, IV et al.



# US D975,851 S

9,829,698 B2	11/2017	Haraguchi et al.	9,907,553 B2	3/2018	Cole et al.
D806,108 S	12/2017	Day	9,907,600 B2	3/2018	Stulen et al.
9,833,235 B2	12/2017	Penna et al.	9,907,620 B2	3/2018	Shelton, IV et al.
9,833,236 B2	12/2017	Shelton, IV et al.	9,913,641 B2	3/2018	Takemoto et al.
9,833,238 B2	12/2017	Baxter, III et al.	9,913,642 B2	3/2018	Leimbach et al.
9,833,239 B2	12/2017	Yates et al.	9,913,644 B2	3/2018	McCuen
9,833,241 B2	12/2017	Huitema et al.	9,913,646 B2	3/2018	Shelton, IV
9,833,242 B2	12/2017	Baxter, III et al.	9,913,647 B2	3/2018	Weisenburgh, II et al.
9,839,420 B2	12/2017	Shelton, IV et al.	9,913,648 B2	3/2018	Shelton, IV et al.
9,839,421 B2	12/2017	Zerkle et al.	9,913,694 B2	3/2018	Brisson
9,839,422 B2	12/2017	Schellin et al.	9,913,733 B2	3/2018	Piron et al.
9,839,423 B2	12/2017	Vendely et al.	9,918,704 B2	3/2018	Shelton, IV et al.
9,839,427 B2	12/2017	Swayze et al.	9,918,714 B2	3/2018	Gibbons, Jr.
9,839,428 B2	12/2017	Baxter, III et al.	9,918,715 B2	3/2018	Menn
9,839,429 B2	12/2017	Weisenburgh, II et al.	9,918,716 B2	3/2018	Baxter, III et al.
9,839,480 B2	12/2017	Pribanic et al.	9,918,717 B2	3/2018	Czernik
9,839,481 B2	12/2017	Blumenkranz et al.	9,918,730 B2	3/2018	Trees et al.
9,844,368 B2	12/2017	Boudreaux et al.	9,924,941 B2	3/2018	Burbank
9,844,369 B2	12/2017	Huitema et al.	9,924,942 B2	3/2018	Swayze et al.
9,844,372 B2	12/2017	Shelton, IV et al.	9,924,943 B2	3/2018	Mohan Pinjala et al.
9,844,373 B2	12/2017	Swayze et al.	9,924,945 B2	3/2018	Zheng et al.
9,844,374 B2	12/2017	Lytle, IV et al.	9,924,946 B2	3/2018	Vendely et al.
9,844,375 B2	12/2017	Overmyer et al.	9,924,947 B2	3/2018	Shelton, IV et al.
9,844,376 B2	12/2017	Baxter, III et al.	9,924,961 B2	3/2018	Shelton, IV et al.
9,844,379 B2	12/2017	Shelton, IV et al.	9,931,106 B2	4/2018	Au et al.
9,848,871 B2	12/2017	Harris et al.	9,931,116 B2	4/2018	Racenet et al.
9,848,873 B2	12/2017	Shelton, IV	9,931,117 B2	4/2018	Hathaway et al.
9,848,875 B2	12/2017	Aronhalt et al.	9,931,118 B2	4/2018	Shelton, IV et al.
9,848,877 B2	12/2017	Shelton, IV et al.	9,931,120 B2	4/2018	Chen et al.
9,850,994 B2	12/2017	Schena	9,936,949 B2	4/2018	Measamer et al.
D808,989 S	1/2018	Ayvazian et al.	9,936,950 B2	4/2018	Shelton, IV et al.
9,855,039 B2	1/2018	Racenet et al.	9,936,951 B2	4/2018	Hufnagel et al.
9,855,040 B2	1/2018	Kostrzewski	9,936,952 B2	4/2018	Demmy
9,855,662 B2	1/2018	Ruiz Morales et al.	9,936,954 B2	4/2018	Shelton, IV et al.
9,861,261 B2	1/2018	Shahinian	9,937,626 B2	4/2018	Rockrohr
9,861,359 B2	1/2018	Shelton, IV et al.	9,943,309 B2	4/2018	Shelton, IV et al.
9,861,361 B2	1/2018	Aronhalt et al.	9,943,310 B2	4/2018	Harris et al.
9,861,362 B2	1/2018	Whitman et al.	9,943,312 B2	4/2018	Posada et al.
9,861,366 B2	1/2018	Aranyi	9,949,754 B2	4/2018	Newhauser et al.
9,861,382 B2	1/2018	Smith et al.	9,953,193 B2	4/2018	Butler et al.
9,861,446 B2	1/2018	Lang	D819,072 S	5/2018	Clediere
9,867,612 B2	1/2018	Parihar et al.	9,955,954 B2	5/2018	Destoumieux et al.
9,867,613 B2	1/2018	Marczyk et al.	9,955,965 B2	5/2018	Chen et al.
9,867,615 B2	1/2018	Fanelli et al.	9,955,966 B2	5/2018	Zergiebel
9,867,617 B2	1/2018	Ma	9,956,677 B2	5/2018	Baskar et al.
9,867,618 B2	1/2018	Hall et al.	9,962,129 B2	5/2018	Jerebko et al.
9,867,620 B2	1/2018	Fischvogt et al.	9,962,157 B2	5/2018	Sapre
9,868,198 B2	1/2018	Nicholas et al.	9,962,158 B2	5/2018	Hall et al.
9,872,682 B2	1/2018	Hess et al.	9,962,159 B2	5/2018	Heinrich et al.
9,872,684 B2	1/2018	Hall et al.	9,962,161 B2	5/2018	Scheib et al.
9,872,722 B2	1/2018	Lech	9,968,354 B2	5/2018	Shelton, IV et al.
9,877,721 B2	1/2018	Schellin et al.	9,968,355 B2	5/2018	Shelton, IV et al.
9,877,722 B2	1/2018	Schellin et al.	9,968,356 B2	5/2018	Shelton, IV et al.
9,877,723 B2	1/2018	Hall et al.	9,968,397 B2	5/2018	Taylor et al.
9,877,776 B2	1/2018	Boudreaux	9,974,529 B2	5/2018	Shelton, IV et al.
D810,099 S	2/2018	Riedel	9,974,538 B2	5/2018	Baxter, III et al.
9,883,843 B2	2/2018	Garlow	9,974,539 B2	5/2018	Yates et al.
9,883,860 B2	2/2018	Leimbach	9,974,541 B2	5/2018	Calderoni
9,883,861 B2	2/2018	Shelton, IV et al.	9,974,542 B2	5/2018	Hodgkinson
9,884,456 B2	2/2018	Schellin et al.	9,980,713 B2	5/2018	Aronhalt et al.
9,888,914 B2	2/2018	Martin et al.	9,980,724 B2	5/2018	Farascioni et al.
9,888,919 B2	2/2018	Leimbach et al.	9,980,729 B2	5/2018	Moore et al.
9,888,921 B2	2/2018	Williams et al.	9,980,769 B2	5/2018	Trees et al.
9,888,924 B2	2/2018	Ebersole et al.	D819,680 S	6/2018	Nguyen
9,889,230 B2	2/2018	Bennett et al.	D819,682 S	6/2018	Howard et al.
9,895,147 B2	2/2018	Shelton, IV	D819,684 S	6/2018	Dart
9,895,148 B2	2/2018	Shelton, IV et al.	D820,307 S	6/2018	Jian et al.
9,895,813 B2	2/2018	Blumenkranz et al.	D820,867 S	6/2018	Dickens et al.
9,901,339 B2	2/2018	Farascioni	9,987,000 B2	6/2018	Shelton, IV et al.
9,901,341 B2	2/2018	Kostrzewski	9,987,003 B2	6/2018	Timm et al.
9,901,342 B2	2/2018	Shelton, IV et al.	9,987,006 B2	6/2018	Morgan et al.
9,901,344 B2	2/2018	Moore et al.	9,987,008 B2	6/2018	Scirica et al.
9,901,345 B2	2/2018	Moore et al.	9,987,095 B2	6/2018	Chowaniec et al.
9,901,346 B2	2/2018	Moore et al.	9,987,097 B2	6/2018	van der Weide et al.
9,901,406 B2	2/2018	State et al.	9,987,099 B2	6/2018	Chen et al.
9,901,412 B2	2/2018	Lathrop et al.	9,993,248 B2	6/2018	Shelton, IV et al.
D813,899 S	3/2018	Erant et al.	9,993,258 B2	6/2018	Shelton, IV et al.
9,907,456 B2	3/2018	Miyoshi	9,993,284 B2	6/2018	Boudreaux
9,907,552 B2	3/2018	Measamer et al.	9,999,408 B2	6/2018	Boudreaux et al.



# US D975,851 S

9,999,423 B2	6/2018	Schuckmann et al.	10,085,749 B2	10/2018	Cappola et al.
9,999,426 B2	6/2018	Moore et al.	10,085,750 B2	10/2018	Zergiebel et al.
9,999,431 B2	6/2018	Shelton, IV et al.	10,085,751 B2	10/2018	Overmyer et al.
9,999,472 B2	6/2018	Weir et al.	10,085,754 B2	10/2018	Sniffin et al.
10,004,497 B2	6/2018	Overmyer et al.	10,085,806 B2	10/2018	Hagn et al.
10,004,498 B2	6/2018	Morgan et al.	10,092,290 B2	10/2018	Yigit et al.
10,004,500 B2	6/2018	Shelton, IV et al.	10,092,292 B2	10/2018	Boudreaux et al.
10,004,501 B2	6/2018	Shelton, IV et al.	10,098,635 B2	10/2018	Burbank
10,004,505 B2	6/2018	Moore et al.	10,098,636 B2	10/2018	Shelton, IV et al.
10,004,506 B2	6/2018	Shelton, IV et al.	10,098,640 B2	10/2018	Bertolero et al.
10,004,552 B1	6/2018	Kleyman et al.	10,098,642 B2	10/2018	Baxter, III et al.
D822,206 S	7/2018	Shelton, IV et al.	10,099,303 B2	10/2018	Yoshida et al.
10,010,322 B2	7/2018	Shelton, IV et al.	10,101,861 B2	10/2018	Kiyoto
10,010,324 B2	7/2018	Huitema et al.	10,105,126 B2	10/2018	Sauer
10,010,395 B2	7/2018	Puckett et al.	10,105,128 B2	10/2018	Cooper et al.
10,013,049 B2	7/2018	Leimbach et al.	10,105,136 B2	10/2018	Yates et al.
10,016,199 B2	7/2018	Baber et al.	10,105,139 B2	10/2018	Yates et al.
10,016,656 B2	7/2018	Devor et al.	10,105,140 B2	10/2018	Malinouskas et al.
10,022,120 B2	7/2018	Martin et al.	10,105,142 B2	10/2018	Baxter, III et al.
10,022,123 B2	7/2018	Williams et al.	10,105,149 B2	10/2018	Haider et al.
10,022,125 B2	7/2018	(Prommersberger) Stopek et al.	10,106,932 B2	10/2018	Anderson et al.
10,024,407 B2	7/2018	Aranyi et al.	10,111,657 B2	10/2018	McCuen
10,028,742 B2	7/2018	Shelton, IV et al.	10,111,658 B2	10/2018	Chowaniec et al.
10,028,743 B2	7/2018	Shelton, IV et al.	10,111,660 B2	10/2018	Hemmann
10,028,744 B2	7/2018	Shelton, IV et al.	10,111,665 B2	10/2018	Aranyi et al.
10,028,761 B2	7/2018	Leimbach et al.	10,111,679 B2	10/2018	Baber et al.
10,029,108 B2	7/2018	Powers et al.	10,111,698 B2	10/2018	Scheib et al.
10,029,125 B2	7/2018	Shapiro et al.	10,111,702 B2	10/2018	Kostrzewski
10,034,344 B2	7/2018	Yoshida	D833,608 S	11/2018	Miller et al.
10,034,668 B2	7/2018	Ebner	10,117,649 B2	11/2018	Baxter et al.
D826,405 S	8/2018	Shelton, IV et al.	10,117,650 B2	11/2018	Nicholas et al.
10,039,440 B2	8/2018	Fenech et al.	10,117,652 B2	11/2018	Schmid et al.
10,039,529 B2	8/2018	Kerr et al.	10,117,653 B2	11/2018	Leimbach et al.
10,039,532 B2	8/2018	Srinivas et al.	10,117,654 B2	11/2018	Ingmanson et al.
10,039,545 B2	8/2018	Sadowski et al.	10,123,798 B2	11/2018	Baxter, III et al.
10,041,822 B2	8/2018	Zemlok	10,123,845 B2	11/2018	Yeung
10,045,769 B2	8/2018	Aronhalt et al.	10,124,493 B2	11/2018	Rothfuss et al.
10,045,776 B2	8/2018	Shelton, IV et al.	10,130,352 B2	11/2018	Widenhouse et al.
10,045,778 B2	8/2018	Yates et al.	10,130,359 B2	11/2018	Hess et al.
10,045,779 B2	8/2018	Savage et al.	10,130,360 B2	11/2018	Olson et al.
10,045,781 B2	8/2018	Cropper et al.	10,130,361 B2	11/2018	Yates et al.
10,045,782 B2	8/2018	Murthy Aravalli	10,130,363 B2	11/2018	Huitema et al.
10,045,869 B2	8/2018	Forsell	10,130,366 B2	11/2018	Shelton, IV et al.
10,046,904 B2	8/2018	Evans et al.	10,130,367 B2	11/2018	Cappola et al.
10,052,044 B2	8/2018	Shelton, IV et al.	10,130,382 B2	11/2018	Gladstone
10,052,099 B2	8/2018	Morgan et al.	10,130,738 B2	11/2018	Shelton, IV et al.
10,052,100 B2	8/2018	Morgan et al.	10,130,830 B2	11/2018	Miret Carceller et al.
10,052,102 B2	8/2018	Baxter, III et al.	10,133,248 B2	11/2018	Fitzsimmons et al.
10,052,104 B2	8/2018	Shelton, IV et al.	10,135,242 B2	11/2018	Baber et al.
10,052,164 B2	8/2018	Overmyer	10,136,879 B2	11/2018	Ross et al.
10,058,317 B2	8/2018	Fan et al.	10,136,887 B2	11/2018	Shelton, IV et al.
10,058,327 B2	8/2018	Weisenburgh, II et al.	10,136,889 B2	11/2018	Shelton, IV et al.
10,058,373 B2	8/2018	Takashino et al.	10,136,890 B2	11/2018	Shelton, IV et al.
10,058,395 B2	8/2018	Devengenzo et al.	10,136,891 B2	11/2018	Shelton, IV et al.
10,058,963 B2	8/2018	Shelton, IV et al.	D835,659 S	12/2018	Anzures et al.
10,064,620 B2	9/2018	Gettinger et al.	D836,124 S	12/2018	Fan
10,064,621 B2	9/2018	Kerr et al.	10,143,474 B2	12/2018	Bucciaglia et al.
10,064,622 B2	9/2018	Murthy Aravalli	10,149,679 B2	12/2018	Shelton, IV et al.
10,064,624 B2	9/2018	Shelton, IV et al.	10,149,680 B2	12/2018	Parihar et al.
10,064,639 B2	9/2018	Ishida et al.	10,149,682 B2	12/2018	Shelton, IV et al.
10,064,649 B2	9/2018	Golebieski et al.	10,149,683 B2	12/2018	Smith et al.
10,064,688 B2	9/2018	Shelton, IV et al.	10,149,712 B2	12/2018	Manwaring et al.
10,070,861 B2	9/2018	Spivey et al.	10,152,789 B2	12/2018	Carnes et al.
10,070,863 B2	9/2018	Swayze et al.	10,154,841 B2	12/2018	Weaner et al.
10,071,452 B2	9/2018	Shelton, IV et al.	10,159,481 B2	12/2018	Whitman et al.
10,076,325 B2	9/2018	Huang et al.	10,159,482 B2	12/2018	Swayze et al.
10,076,326 B2	9/2018	Yates et al.	10,159,483 B2	12/2018	Beckman et al.
10,076,340 B2	9/2018	Belagali et al.	10,159,506 B2	12/2018	Boudreaux et al.
10,080,552 B2	9/2018	Nicholas et al.	10,161,816 B2	12/2018	Jackson et al.
D830,550 S	10/2018	Miller et al.	10,163,065 B1	12/2018	Koski et al.
D831,209 S *	10/2018	Huitema ..... A61B 17/07207 D24/145	10,163,589 B2	12/2018	Zergiebel et al.
D831,676 S	10/2018	Park et al.	10,164,466 B2	12/2018	Calderoni
D832,301 S	10/2018	Smith	D837,244 S	1/2019	Kuo et al.
10,085,624 B2	10/2018	Isoda et al.	D837,245 S	1/2019	Kuo et al.
10,085,643 B2	10/2018	Bandic et al.	10,166,023 B2	1/2019	Vendely et al.
10,085,728 B2	10/2018	Jogasaki et al.	10,166,025 B2	1/2019	Leimbach et al.
10,085,746 B2	10/2018	Fischvogt	10,166,026 B2	1/2019	Shelton, IV et al.
10,085,748 B2	10/2018	Morgan et al.	10,172,611 B2	1/2019	Shelton, IV et al.
			10,172,615 B2	1/2019	Marczyk et al.



# US D975,851 S

10,172,616 B2	1/2019	Murray et al.	10,245,032 B2	4/2019	Shelton, IV
10,172,617 B2	1/2019	Shelton, IV et al.	10,245,033 B2	4/2019	Overmyer et al.
10,172,618 B2	1/2019	Shelton, IV et al.	10,245,034 B2	4/2019	Shelton, IV et al.
10,172,619 B2	1/2019	Harris et al.	10,245,035 B2	4/2019	Swayze et al.
10,172,620 B2	1/2019	Harris et al.	10,245,038 B2	4/2019	Hopkins et al.
10,172,636 B2	1/2019	Stulen et al.	10,245,058 B2	4/2019	Omori et al.
10,172,669 B2	1/2019	Felder et al.	10,251,648 B2	4/2019	Harris et al.
10,175,127 B2	1/2019	Collins et al.	10,251,649 B2	4/2019	Schellin et al.
10,178,992 B2	1/2019	Wise et al.	10,251,725 B2	4/2019	Valentine et al.
10,180,463 B2	1/2019	Beckman et al.	10,258,322 B2	4/2019	Fanton et al.
10,182,813 B2	1/2019	Leimbach et al.	10,258,330 B2	4/2019	Shelton, IV et al.
10,182,815 B2	1/2019	Williams et al.	10,258,331 B2	4/2019	Shelton, IV et al.
10,182,816 B2	1/2019	Shelton, IV et al.	10,258,332 B2	4/2019	Schmid et al.
10,182,818 B2	1/2019	Hensel et al.	10,258,333 B2	4/2019	Shelton, IV et al.
10,182,819 B2	1/2019	Shelton, IV	10,258,336 B2	4/2019	Baxter, III et al.
10,182,868 B2	1/2019	Meier et al.	10,258,363 B2	4/2019	Worrell et al.
10,188,385 B2	1/2019	Kerr et al.	10,258,418 B2	4/2019	Shelton, IV et al.
10,188,389 B2	1/2019	Vendely et al.	10,264,797 B2	4/2019	Zhang et al.
10,188,393 B2	1/2019	Smith et al.	10,265,065 B2	4/2019	Shelton, IV et al.
10,188,394 B2	1/2019	Shelton, IV et al.	10,265,067 B2	4/2019	Yates et al.
10,190,888 B2	1/2019	Hryb et al.	10,265,068 B2	4/2019	Harris et al.
D839,900 S	2/2019	Gan	10,265,072 B2	4/2019	Shelton, IV et al.
D841,667 S	2/2019	Coren	10,265,073 B2	4/2019	Scheib et al.
10,194,801 B2	2/2019	Elhawary et al.	10,265,074 B2	4/2019	Shelton, IV et al.
10,194,904 B2	2/2019	Viola et al.	10,265,090 B2	4/2019	Ingmanson et al.
10,194,907 B2	2/2019	Marczyk et al.	10,271,840 B2	4/2019	Sapre
10,194,908 B2	2/2019	Duque et al.	10,271,844 B2	4/2019	Valentine et al.
10,194,910 B2	2/2019	Shelton, IV et al.	10,271,845 B2	4/2019	Shelton, IV
10,194,911 B2	2/2019	Miller et al.	10,271,846 B2	4/2019	Shelton, IV et al.
10,194,912 B2	2/2019	Scheib et al.	10,271,847 B2	4/2019	Racenet et al.
10,194,913 B2	2/2019	Nalagatla et al.	10,271,849 B2	4/2019	Vendely et al.
10,194,976 B2	2/2019	Boudreaux	10,271,851 B2	4/2019	Shelton, IV et al.
10,194,992 B2	2/2019	Robinson	D847,989 S	5/2019	Shelton, IV et al.
10,201,348 B2	2/2019	Scheib et al.	D848,473 S	5/2019	Zhu et al.
10,201,349 B2	2/2019	Leimbach et al.	D849,046 S	5/2019	Kuo et al.
10,201,363 B2	2/2019	Shelton, IV	10,278,696 B2	5/2019	Gurumurthy et al.
10,201,364 B2	2/2019	Leimbach et al.	10,278,697 B2	5/2019	Shelton, IV et al.
10,201,365 B2	2/2019	Boudreaux et al.	10,278,702 B2	5/2019	Shelton, IV et al.
10,201,381 B2	2/2019	Zergiebel et al.	10,278,703 B2	5/2019	Nativ et al.
10,206,605 B2	2/2019	Shelton, IV et al.	10,278,707 B2	5/2019	Thompson et al.
10,206,676 B2	2/2019	Shelton, IV	10,278,722 B2	5/2019	Shelton, IV et al.
10,206,677 B2	2/2019	Harris et al.	10,278,780 B2	5/2019	Shelton, IV
10,206,678 B2	2/2019	Shelton, IV et al.	10,285,694 B2	5/2019	Viola et al.
10,206,748 B2	2/2019	Burbank	10,285,695 B2	5/2019	Jaworek et al.
10,210,244 B1	2/2019	Branavan et al.	10,285,699 B2	5/2019	Vendely et al.
10,211,586 B2	2/2019	Adams et al.	10,285,700 B2	5/2019	Scheib
10,213,198 B2	2/2019	Aronhalt et al.	10,285,705 B2	5/2019	Shelton, IV et al.
10,213,201 B2	2/2019	Shelton, IV et al.	10,285,724 B2	5/2019	Faller et al.
10,213,202 B2	2/2019	Flanagan et al.	10,292,701 B2	5/2019	Scheib et al.
10,213,203 B2	2/2019	Swayze et al.	10,292,704 B2	5/2019	Harris et al.
10,213,204 B2	2/2019	Aranyi et al.	10,292,707 B2	5/2019	Shelton, IV et al.
10,213,262 B2	2/2019	Shelton, IV et al.	10,293,100 B2	5/2019	Shelton, IV et al.
D842,328 S	3/2019	Jian et al.	10,293,553 B2	5/2019	Racenet et al.
10,219,811 B2	3/2019	Haider et al.	10,299,787 B2	5/2019	Shelton, IV
10,219,832 B2	3/2019	Bagwell et al.	10,299,788 B2	5/2019	Heinrich et al.
10,220,522 B2	3/2019	Rockrohr	10,299,789 B2	5/2019	Marczyk et al.
10,226,239 B2	3/2019	Nicholas et al.	10,299,790 B2	5/2019	Beardsley
10,226,249 B2	3/2019	Jaworek et al.	10,299,792 B2	5/2019	Huitema et al.
10,226,250 B2	3/2019	Beckman et al.	10,299,817 B2	5/2019	Shelton, IV et al.
10,226,251 B2	3/2019	Scheib et al.	10,299,818 B2	5/2019	Riva
10,226,274 B2	3/2019	Worrell et al.	10,303,851 B2	5/2019	Nguyen et al.
10,231,634 B2	3/2019	Zand et al.	D850,617 S	6/2019	Shelton, IV et al.
10,231,653 B2	3/2019	Bohm et al.	D851,676 S	6/2019	Foss et al.
10,231,734 B2	3/2019	Thompson et al.	D851,762 S	6/2019	Shelton, IV et al.
10,231,794 B2	3/2019	Shelton, IV et al.	10,307,159 B2	6/2019	Harris et al.
10,238,386 B2	3/2019	Overmyer et al.	10,307,160 B2	6/2019	Vendely et al.
10,238,387 B2	3/2019	Yates et al.	10,307,161 B2	6/2019	Jankowski
10,238,389 B2	3/2019	Yates et al.	10,307,163 B2	6/2019	Moore et al.
10,238,390 B2	3/2019	Harris et al.	10,307,170 B2	6/2019	Parfett et al.
10,238,391 B2	3/2019	Leimbach et al.	10,307,202 B2	6/2019	Smith et al.
D844,666 S	4/2019	Espeleta et al.	10,314,559 B2	6/2019	Razzaque et al.
D844,667 S	4/2019	Espeleta et al.	10,314,577 B2	6/2019	Laurent et al.
D845,342 S	4/2019	Espeleta et al.	10,314,578 B2	6/2019	Leimbach et al.
D847,199 S	4/2019	Whitmore	10,314,580 B2	6/2019	Scheib et al.
10,244,991 B2	4/2019	Shademan et al.	10,314,582 B2	6/2019	Shelton, IV et al.
10,245,027 B2	4/2019	Shelton, IV et al.	10,314,584 B2	6/2019	Scirica et al.
10,245,028 B2	4/2019	Shelton, IV et al.	10,314,587 B2	6/2019	Harris et al.
10,245,029 B2	4/2019	Hunter et al.	10,314,588 B2	6/2019	Turner et al.
10,245,030 B2	4/2019	Hunter et al.	10,314,589 B2	6/2019	Shelton, IV et al.



# US D975,851 S

10,314,590 B2	6/2019	Shelton, IV et al.	10,413,291 B2	9/2019	Worthington et al.
10,315,566 B2	6/2019	Choi et al.	10,413,293 B2	9/2019	Shelton, IV et al.
10,321,907 B2	6/2019	Shelton, IV et al.	10,413,294 B2	9/2019	Shelton, IV et al.
10,321,909 B2	6/2019	Shelton, IV et al.	10,413,297 B2	9/2019	Harris et al.
10,321,927 B2	6/2019	Hinman	10,413,370 B2	9/2019	Yates et al.
10,327,743 B2	6/2019	St. Goar et al.	10,413,373 B2	9/2019	Yates et al.
10,327,764 B2	6/2019	Harris et al.	10,420,548 B2	9/2019	Whitman et al.
10,327,765 B2	6/2019	Timm et al.	10,420,549 B2	9/2019	Yates et al.
10,327,767 B2	6/2019	Shelton, IV et al.	10,420,550 B2	9/2019	Shelton, IV
10,327,769 B2	6/2019	Overmyer et al.	10,420,551 B2	9/2019	Calderoni
10,327,776 B2	6/2019	Harris et al.	10,420,552 B2	9/2019	Shelton, IV et al.
10,327,777 B2	6/2019	Harris et al.	10,420,553 B2	9/2019	Shelton, IV et al.
D854,032 S	7/2019	Jones et al.	10,420,554 B2	9/2019	Collings et al.
D854,151 S	7/2019	Shelton, IV et al.	10,420,555 B2	9/2019	Shelton, IV et al.
10,335,144 B2	7/2019	Shelton, IV et al.	10,420,558 B2	9/2019	Nalagatla et al.
10,335,145 B2	7/2019	Harris et al.	10,420,559 B2	9/2019	Marczyk et al.
10,335,147 B2	7/2019	Rector et al.	10,420,560 B2	9/2019	Shelton, IV et al.
10,335,148 B2	7/2019	Shelton, IV et al.	10,420,561 B2	9/2019	Shelton, IV et al.
10,335,149 B2	7/2019	Baxter, III et al.	10,420,577 B2	9/2019	Chowaniec et al.
10,335,150 B2	7/2019	Shelton, IV	D861,707 S	10/2019	Yang
10,335,151 B2	7/2019	Shelton, IV et al.	D862,518 S	10/2019	Niven et al.
10,337,148 B2	7/2019	Rouse et al.	D863,343 S	10/2019	Mazlish et al.
10,342,533 B2	7/2019	Shelton, IV et al.	D864,388 S	10/2019	Barber
10,342,535 B2	7/2019	Scheib et al.	D865,174 S	10/2019	Auld et al.
10,342,541 B2	7/2019	Shelton, IV et al.	D865,175 S	10/2019	Widenhouse et al.
10,342,543 B2	7/2019	Shelton, IV et al.	10,426,463 B2	10/2019	Shelton, IV et al.
10,342,623 B2	7/2019	Huelman et al.	10,426,466 B2	10/2019	Contini et al.
10,349,937 B2	7/2019	Williams	10,426,467 B2	10/2019	Miller et al.
10,349,939 B2	7/2019	Shelton, IV et al.	10,426,468 B2	10/2019	Contini et al.
10,349,941 B2	7/2019	Marczyk et al.	10,426,469 B2	10/2019	Shelton, IV et al.
10,349,963 B2	7/2019	Fiksen et al.	10,426,471 B2	10/2019	Shelton, IV et al.
10,350,016 B2	7/2019	Burbank et al.	10,426,476 B2	10/2019	Harris et al.
10,357,246 B2	7/2019	Shelton, IV et al.	10,426,477 B2	10/2019	Harris et al.
10,357,247 B2	7/2019	Shelton, IV et al.	10,426,478 B2	10/2019	Shelton, IV et al.
10,357,248 B2	7/2019	Dalessandro et al.	10,426,481 B2	10/2019	Aronhalt et al.
10,357,252 B2	7/2019	Harris et al.	10,426,555 B2	10/2019	Crowley et al.
10,363,031 B2	7/2019	Alexander, III et al.	10,433,837 B2	10/2019	Worthington et al.
10,363,033 B2	7/2019	Timm et al.	10,433,839 B2	10/2019	Scheib et al.
10,363,036 B2	7/2019	Yates et al.	10,433,840 B2	10/2019	Shelton, IV et al.
10,363,037 B2	7/2019	Aronhalt et al.	10,433,842 B2	10/2019	Amariglio et al.
D855,634 S	8/2019	Kim	10,433,844 B2	10/2019	Shelton, IV et al.
D856,359 S	8/2019	Huang et al.	10,433,845 B2	10/2019	Baxter, III et al.
10,368,838 B2	8/2019	Williams et al.	10,433,846 B2	10/2019	Vendely et al.
10,368,861 B2	8/2019	Baxter, III et al.	10,433,849 B2	10/2019	Shelton, IV et al.
10,368,863 B2	8/2019	Timm et al.	10,433,918 B2	10/2019	Shelton, IV et al.
10,368,864 B2	8/2019	Harris et al.	10,441,279 B2	10/2019	Shelton, IV et al.
10,368,865 B2	8/2019	Harris et al.	10,441,280 B2	10/2019	Timm et al.
10,368,867 B2	8/2019	Harris et al.	10,441,281 B2	10/2019	Shelton, IV et al.
10,368,892 B2	8/2019	Stulen et al.	10,441,285 B2	10/2019	Shelton, IV et al.
10,376,263 B2	8/2019	Morgan et al.	10,441,286 B2	10/2019	Shelton, IV et al.
10,383,626 B2	8/2019	Soltz	10,441,345 B2	10/2019	Aldridge et al.
10,383,628 B2	8/2019	Kang et al.	10,441,369 B2	10/2019	Shelton, IV et al.
10,383,629 B2	8/2019	Ross et al.	10,448,948 B2	10/2019	Shelton, IV et al.
10,383,630 B2	8/2019	Shelton, IV et al.	10,448,950 B2	10/2019	Shelton, IV et al.
10,383,633 B2	8/2019	Shelton, IV et al.	10,448,952 B2	10/2019	Shelton, IV et al.
10,383,634 B2	8/2019	Shelton, IV et al.	10,456,122 B2	10/2019	Koltz et al.
10,390,823 B2	8/2019	Shelton, IV et al.	10,456,132 B2	10/2019	Gettinger et al.
10,390,825 B2	8/2019	Shelton, IV et al.	10,456,133 B2	10/2019	Yates et al.
10,390,828 B2	8/2019	Vendely et al.	10,456,137 B2	10/2019	Vendely et al.
10,390,829 B2	8/2019	Eckert et al.	10,456,140 B2	10/2019	Shelton, IV et al.
10,390,830 B2	8/2019	Schulz	D865,796 S	11/2019	Xu et al.
10,390,841 B2	8/2019	Shelton, IV et al.	10,463,367 B2	11/2019	Kostrzewski et al.
10,390,897 B2	8/2019	Kostrzewski	10,463,369 B2	11/2019	Shelton, IV et al.
D859,466 S	9/2019	Okada et al.	10,463,370 B2	11/2019	Yates et al.
D860,219 S	9/2019	Rasmussen et al.	10,463,371 B2	11/2019	Kostrzewski
D861,035 S	9/2019	Park et al.	10,463,372 B2	11/2019	Shelton, IV et al.
10,398,433 B2	9/2019	Boudreaux et al.	10,463,373 B2	11/2019	Mozdzierz et al.
10,398,434 B2	9/2019	Shelton, IV et al.	10,463,382 B2	11/2019	Ingmanson et al.
10,398,436 B2	9/2019	Shelton, IV et al.	10,463,383 B2	11/2019	Shelton, IV et al.
10,398,460 B2	9/2019	Overmyer	10,463,384 B2	11/2019	Shelton, IV et al.
10,404,136 B2	9/2019	Oktavec et al.	10,470,762 B2	11/2019	Leimbach et al.
10,405,854 B2	9/2019	Schmid et al.	10,470,763 B2	11/2019	Yates et al.
10,405,857 B2	9/2019	Shelton, IV et al.	10,470,764 B2	11/2019	Baxter, III et al.
10,405,859 B2	9/2019	Harris et al.	10,470,767 B2	11/2019	Gleiman et al.
10,405,863 B2	9/2019	Wise et al.	10,470,768 B2	11/2019	Harris et al.
10,405,914 B2	9/2019	Manwaring et al.	10,470,769 B2	11/2019	Shelton, IV et al.
10,405,932 B2	9/2019	Overmyer	10,471,282 B2	11/2019	Kirk et al.
10,405,937 B2	9/2019	Black et al.	10,471,576 B2	11/2019	Totsu
10,413,155 B2	9/2019	Inoue	10,471,607 B2	11/2019	Butt et al.



US D975,851 S

10,478,181	B2	11/2019	Shelton, IV et al.	10,568,626	B2	2/2020	Shelton, IV et al.
10,478,182	B2	11/2019	Taylor	10,568,629	B2	2/2020	Shelton, IV et al.
10,478,185	B2	11/2019	Nicholas	10,568,632	B2	2/2020	Miller et al.
10,478,187	B2	11/2019	Shelton, IV et al.	10,568,652	B2	2/2020	Hess et al.
10,478,188	B2	11/2019	Harris et al.	10,569,071	B2	2/2020	Harris et al.
10,478,189	B2	11/2019	Bear et al.	D879,808	S	3/2020	Harris et al.
10,478,190	B2	11/2019	Miller et al.	D879,809	S	3/2020	Harris et al.
10,478,207	B2	11/2019	Lathrop	10,575,868	B2	3/2020	Hall et al.
10,482,292	B2	11/2019	Clouser et al.	10,580,320	B2	3/2020	Kamiguchi et al.
10,485,536	B2	11/2019	Ming et al.	10,582,928	B2	3/2020	Hunter et al.
10,485,537	B2	11/2019	Yates et al.	10,588,231	B2	3/2020	Sgroi, Jr. et al.
10,485,539	B2	11/2019	Shelton, IV et al.	10,588,623	B2	3/2020	Schmid et al.
10,485,541	B2	11/2019	Shelton, IV et al.	10,588,625	B2	3/2020	Weaner et al.
10,485,542	B2	11/2019	Shelton, IV et al.	10,588,626	B2	3/2020	Overmyer et al.
10,485,543	B2	11/2019	Shelton, IV et al.	10,588,629	B2	3/2020	Malinouskas et al.
10,485,546	B2	11/2019	Shelton, IV et al.	10,588,630	B2	3/2020	Shelton, IV et al.
10,485,547	B2	11/2019	Shelton, IV et al.	10,588,631	B2	3/2020	Shelton, IV et al.
D869,655	S *	12/2019	Shelton, IV ..... A61B 17/072 D24/145	10,588,632	B2	3/2020	Shelton, IV et al.
D870,742	S	12/2019	Cornell	10,588,633	B2	3/2020	Shelton, IV et al.
10,492,783	B2	12/2019	Shelton, IV et al.	10,595,835	B2	3/2020	Kerr et al.
10,492,785	B2	12/2019	Overmyer et al.	10,595,862	B2	3/2020	Shelton, IV et al.
10,492,787	B2	12/2019	Smith et al.	10,595,882	B2	3/2020	Parfett et al.
10,492,814	B2	12/2019	Snow et al.	10,595,887	B2	3/2020	Shelton, IV et al.
10,492,847	B2	12/2019	Godara et al.	10,595,929	B2	3/2020	Boudreaux et al.
10,492,851	B2	12/2019	Hughett, Sr. et al.	10,603,036	B2	3/2020	Hunter et al.
10,498,269	B2	12/2019	Zemlok et al.	10,603,039	B2	3/2020	Vendely et al.
10,499,890	B2	12/2019	Shelton, IV et al.	10,603,041	B2	3/2020	Miller et al.
10,499,914	B2	12/2019	Huang et al.	10,603,117	B2	3/2020	Schings et al.
10,499,917	B2	12/2019	Scheib et al.	10,603,128	B2	3/2020	Zergiebel et al.
10,499,918	B2	12/2019	Schellin et al.	D882,783	S	4/2020	Shelton, IV et al.
10,500,000	B2	12/2019	Swayze et al.	10,610,224	B2	4/2020	Shelton, IV et al.
10,500,309	B2	12/2019	Shah et al.	10,610,225	B2	4/2020	Reed et al.
10,507,034	B2	12/2019	Timm	10,610,236	B2	4/2020	Baril
10,508,720	B2	12/2019	Nicholas	10,610,313	B2	4/2020	Bailey et al.
10,512,461	B2	12/2019	Gupta et al.	10,610,346	B2	4/2020	Schwartz
10,512,462	B2	12/2019	Felder et al.	10,617,411	B2	4/2020	Williams
10,517,590	B2	12/2019	Giordano et al.	10,617,412	B2	4/2020	Shelton, IV et al.
10,517,592	B2	12/2019	Shelton, IV et al.	10,617,413	B2	4/2020	Shelton, IV et al.
10,517,594	B2	12/2019	Shelton, IV et al.	10,617,414	B2	4/2020	Shelton, IV et al.
10,517,595	B2	12/2019	Hunter et al.	10,617,416	B2	4/2020	Leimbach et al.
10,517,596	B2	12/2019	Hunter et al.	10,617,417	B2	4/2020	Baxter, III et al.
10,517,599	B2	12/2019	Baxter, III et al.	10,617,418	B2	4/2020	Barton et al.
10,517,682	B2	12/2019	Giordano et al.	10,617,420	B2	4/2020	Shelton, IV et al.
10,524,784	B2	1/2020	Kostrzewski	10,624,616	B2	4/2020	Mukherjee et al.
10,524,787	B2	1/2020	Shelton, IV et al.	10,624,630	B2	4/2020	Deville et al.
10,524,788	B2	1/2020	Vendely et al.	10,624,633	B2	4/2020	Shelton, IV et al.
10,524,789	B2	1/2020	Swayze et al.	10,624,634	B2	4/2020	Shelton, IV et al.
10,524,790	B2	1/2020	Shelton, IV et al.	10,624,635	B2	4/2020	Harris et al.
10,524,795	B2	1/2020	Nalagatla et al.	10,624,709	B2	4/2020	Remm
10,531,874	B2	1/2020	Morgan et al.	10,624,861	B2	4/2020	Widenhouse et al.
10,531,887	B2	1/2020	Shelton, IV et al.	10,625,062	B2	4/2020	Matlock et al.
10,537,324	B2	1/2020	Shelton, IV et al.	10,631,857	B2	4/2020	Kostrzewski
10,537,325	B2	1/2020	Bakos et al.	10,631,858	B2	4/2020	Burbank
10,537,351	B2	1/2020	Shelton, IV et al.	10,631,859	B2	4/2020	Shelton, IV et al.
10,542,908	B2	1/2020	Mei et al.	10,631,860	B2	4/2020	Bakos et al.
10,542,974	B2	1/2020	Yates et al.	10,636,104	B2	4/2020	Mazar et al.
10,542,976	B2	1/2020	Calderoni et al.	10,639,018	B2	5/2020	Shelton, IV et al.
10,542,978	B2	1/2020	Chowaniec et al.	10,639,034	B2	5/2020	Harris et al.
10,542,979	B2	1/2020	Shelton, IV et al.	10,639,035	B2	5/2020	Shelton, IV et al.
10,542,982	B2	1/2020	Beckman et al.	10,639,036	B2	5/2020	Yates et al.
10,542,985	B2	1/2020	Zhan et al.	10,639,037	B2	5/2020	Shelton, IV et al.
10,542,988	B2	1/2020	Schellin et al.	10,639,089	B2	5/2020	Manwaring et al.
10,542,991	B2	1/2020	Shelton, IV et al.	10,639,115	B2	5/2020	Shelton, IV et al.
10,548,504	B2	2/2020	Shelton, IV et al.	10,642,633	B1	5/2020	Chopra et al.
10,548,593	B2	2/2020	Shelton, IV et al.	10,645,905	B2	5/2020	Gandola et al.
10,548,600	B2	2/2020	Shelton, IV et al.	10,646,220	B2	5/2020	Shelton, IV et al.
10,548,673	B2	2/2020	Harris et al.	10,646,292	B2	5/2020	Solomon et al.
10,561,418	B2	2/2020	Richard et al.	10,653,413	B2	5/2020	Worthington et al.
10,561,419	B2	2/2020	Beardsley	10,653,417	B2	5/2020	Shelton, IV et al.
10,561,420	B2	2/2020	Harris et al.	10,653,435	B2	5/2020	Shelton, IV et al.
10,561,422	B2	2/2020	Schellin et al.	10,660,640	B2	5/2020	Yates et al.
10,561,432	B2	2/2020	Estrella et al.	10,667,408	B2	5/2020	Sgroi, Jr. et al.
10,561,474	B2	2/2020	Adams et al.	D888,953	S	6/2020	Baxter, III et al.
10,562,160	B2	2/2020	Iwata et al.	10,667,808	B2	6/2020	Baxter, III et al.
10,568,493	B2	2/2020	Blase et al.	10,667,809	B2	6/2020	Bakos et al.
10,568,621	B2	2/2020	Shelton, IV et al.	10,667,810	B2	6/2020	Shelton, IV et al.
10,568,624	B2	2/2020	Shelton, IV et al.	10,667,811	B2	6/2020	Harris et al.
10,568,625	B2	2/2020	Harris et al.	10,667,818	B2	6/2020	McLain et al.
				10,674,895	B2	6/2020	Yeung et al.



US D975,851 S

10,675,021 B2	6/2020	Harris et al.	10,751,048 B2	8/2020	Whitman et al.
10,675,024 B2	6/2020	Shelton, IV et al.	10,751,053 B2	8/2020	Harris et al.
10,675,025 B2	6/2020	Swayze et al.	10,751,076 B2	8/2020	Laurent et al.
10,675,026 B2	6/2020	Harris et al.	10,751,138 B2	8/2020	Giordano et al.
10,675,028 B2	6/2020	Shelton, IV et al.	10,758,229 B2	9/2020	Shelton, IV et al.
10,675,035 B2	6/2020	Zingman	10,758,230 B2	9/2020	Shelton, IV et al.
10,675,102 B2	6/2020	Forgione et al.	10,758,232 B2	9/2020	Shelton, IV et al.
10,677,035 B2	6/2020	Balan et al.	10,758,233 B2	9/2020	Scheib et al.
10,682,134 B2	6/2020	Shelton, IV et al.	10,758,259 B2	9/2020	Demmy et al.
10,682,136 B2	6/2020	Harris et al.	10,765,425 B2	9/2020	Yates et al.
10,682,137 B2	6/2020	Stokes et al.	10,765,427 B2	9/2020	Shelton, IV et al.
10,682,138 B2	6/2020	Shelton, IV et al.	10,765,429 B2	9/2020	Leimbach et al.
10,682,141 B2	6/2020	Moore et al.	10,765,430 B2	9/2020	Wixey
10,682,142 B2	6/2020	Shelton, IV et al.	10,765,432 B2	9/2020	Moore et al.
10,687,806 B2	6/2020	Shelton, IV et al.	10,765,442 B2	9/2020	Strobl
10,687,809 B2	6/2020	Shelton, IV et al.	10,772,625 B2	9/2020	Shelton, IV et al.
10,687,810 B2	6/2020	Shelton, IV et al.	10,772,628 B2	9/2020	Chen et al.
10,687,812 B2	6/2020	Shelton, IV et al.	10,772,629 B2	9/2020	Shelton, IV et al.
10,687,813 B2	6/2020	Shelton, IV et al.	10,772,630 B2	9/2020	Wixey
10,687,817 B2	6/2020	Shelton, IV et al.	10,772,631 B2	9/2020	Zergiebel et al.
10,687,819 B2	6/2020	Stokes et al.	10,772,632 B2	9/2020	Kostrzewski
10,687,904 B2	6/2020	Harris et al.	10,772,651 B2	9/2020	Shelton, IV et al.
10,695,053 B2	6/2020	Hess et al.	10,779,818 B2	9/2020	Zemlok et al.
10,695,055 B2	6/2020	Shelton, IV et al.	10,779,820 B2	9/2020	Harris et al.
10,695,057 B2	6/2020	Shelton, IV et al.	10,779,821 B2	9/2020	Harris et al.
10,695,058 B2	6/2020	Lytle, IV et al.	10,779,822 B2	9/2020	Yates et al.
10,695,062 B2	6/2020	Leimbach et al.	10,779,823 B2	9/2020	Shelton, IV et al.
10,695,063 B2	6/2020	Morgan et al.	10,779,824 B2	9/2020	Shelton, IV et al.
10,695,074 B2	6/2020	Carusillo	10,779,825 B2	9/2020	Shelton, IV et al.
10,695,081 B2	6/2020	Shelton, IV et al.	10,779,826 B2	9/2020	Shelton, IV et al.
10,695,123 B2	6/2020	Allen, IV	10,779,903 B2	9/2020	Wise et al.
10,695,187 B2	6/2020	Moskowitz et al.	10,780,539 B2	9/2020	Shelton, IV et al.
D890,784 S	7/2020	Shelton, IV et al.	10,786,248 B2	9/2020	Rousseau et al.
10,702,266 B2	7/2020	Parihar et al.	10,786,253 B2	9/2020	Shelton, IV et al.
10,702,267 B2	7/2020	Hess et al.	10,786,255 B2	9/2020	Hodgkinson et al.
10,702,270 B2	7/2020	Shelton, IV et al.	10,792,038 B2	10/2020	Becerra et al.
10,702,271 B2	7/2020	Aranyi et al.	10,796,471 B2	10/2020	Leimbach et al.
10,705,660 B2	7/2020	Xiao	10,799,240 B2	10/2020	Shelton, IV et al.
10,709,446 B2	7/2020	Harris et al.	10,799,306 B2	10/2020	Robinson et al.
10,709,468 B2	7/2020	Shelton, IV et al.	10,806,448 B2	10/2020	Shelton, IV et al.
10,709,469 B2	7/2020	Shelton, IV et al.	10,806,449 B2	10/2020	Shelton, IV et al.
10,709,496 B2	7/2020	Moua et al.	10,806,450 B2	10/2020	Yates et al.
10,716,563 B2	7/2020	Shelton, IV et al.	10,806,451 B2	10/2020	Harris et al.
10,716,565 B2	7/2020	Shelton, IV et al.	10,806,453 B2	10/2020	Chen et al.
10,716,568 B2	7/2020	Hall et al.	10,806,479 B2	10/2020	Shelton, IV et al.
10,716,614 B2	7/2020	Yates et al.	10,813,638 B2	10/2020	Shelton, IV et al.
10,717,179 B2	7/2020	Koenig et al.	10,813,639 B2	10/2020	Shelton, IV et al.
10,722,232 B2	7/2020	Yates et al.	10,813,640 B2	10/2020	Adams et al.
10,722,233 B2	7/2020	Wellman	10,813,641 B2	10/2020	Setser et al.
10,722,292 B2	7/2020	Arya et al.	10,813,683 B2	10/2020	Baxter, III et al.
10,722,293 B2	7/2020	Arya et al.	10,813,705 B2	10/2020	Hares et al.
10,722,317 B2	7/2020	Ward et al.	10,813,710 B2	10/2020	Grubbs
D893,717 S	8/2020	Messerly et al.	10,820,939 B2	11/2020	Sartor
10,729,432 B2	8/2020	Shelton, IV et al.	10,828,028 B2	11/2020	Harris et al.
10,729,434 B2	8/2020	Harris et al.	10,828,030 B2	11/2020	Weir et al.
10,729,436 B2	8/2020	Shelton, IV et al.	10,828,032 B2	11/2020	Leimbach et al.
10,729,443 B2	8/2020	Cabrera et al.	10,828,033 B2	11/2020	Shelton, IV et al.
10,729,458 B2	8/2020	Stoddard et al.	10,828,089 B2	11/2020	Clark et al.
10,729,501 B2	8/2020	Leimbach et al.	10,835,245 B2	11/2020	Swayze et al.
10,729,509 B2	8/2020	Shelton, IV et al.	10,835,246 B2	11/2020	Shelton, IV et al.
10,736,616 B2	8/2020	Scheib et al.	10,835,247 B2	11/2020	Shelton, IV et al.
10,736,628 B2	8/2020	Yates et al.	10,835,249 B2	11/2020	Schellin et al.
10,736,629 B2	8/2020	Shelton, IV et al.	10,835,251 B2	11/2020	Shelton, IV et al.
10,736,630 B2	8/2020	Huang et al.	10,835,330 B2	11/2020	Shelton, IV et al.
10,736,633 B2	8/2020	Vendely et al.	10,842,357 B2	11/2020	Moskowitz et al.
10,736,634 B2	8/2020	Shelton, IV et al.	10,842,473 B2	11/2020	Scheib et al.
10,736,636 B2	8/2020	Baxter, III et al.	10,842,488 B2	11/2020	Swayze et al.
10,736,644 B2	8/2020	Windolf et al.	10,842,489 B2	11/2020	Shelton, IV
10,743,849 B2	8/2020	Shelton, IV et al.	10,842,490 B2	11/2020	DiNardo et al.
10,743,850 B2	8/2020	Hibner et al.	10,842,491 B2	11/2020	Shelton, IV et al.
10,743,851 B2	8/2020	Swayze et al.	10,842,492 B2	11/2020	Shelton, IV et al.
10,743,868 B2	8/2020	Shelton, IV et al.	D904,612 S *	12/2020	Wynn ..... A61B 17/0684
10,743,870 B2	8/2020	Hall et al.			D24/145
10,743,872 B2	8/2020	Leimbach et al.	D904,613 S	12/2020	Wynn et al.
10,743,873 B2	8/2020	Overmyer et al.	D906,355 S	12/2020	Messerly et al.
10,743,874 B2	8/2020	Shelton, IV et al.	10,849,621 B2	12/2020	Whitfield et al.
10,743,875 B2	8/2020	Shelton, IV et al.	10,849,623 B2	12/2020	Dunki-Jacobs et al.
10,743,877 B2	8/2020	Shelton, IV et al.	10,849,697 B2	12/2020	Yates et al.
10,743,930 B2	8/2020	Nagtegaal	10,856,866 B2	12/2020	Shelton, IV et al.



# US D975,851 S

10,856,867 B2	12/2020	Shelton, IV et al.	10,944,728 B2	3/2021	Wiener et al.
10,856,868 B2	12/2020	Shelton, IV et al.	10,945,727 B2	3/2021	Shelton, IV et al.
10,856,869 B2	12/2020	Shelton, IV et al.	10,945,728 B2	3/2021	Morgan et al.
10,856,870 B2	12/2020	Harris et al.	10,945,729 B2	3/2021	Shelton, IV et al.
10,863,981 B2	12/2020	Overmyer et al.	10,945,731 B2	3/2021	Baxter, III et al.
10,863,984 B2	12/2020	Shelton, IV et al.	10,952,708 B2	3/2021	Scheib et al.
10,863,986 B2	12/2020	Yates et al.	10,952,726 B2	3/2021	Chowaniec
10,869,663 B2	12/2020	Shelton, IV et al.	10,952,727 B2	3/2021	Giordano et al.
10,869,664 B2	12/2020	Shelton, IV	10,952,728 B2	3/2021	Shelton, IV et al.
10,869,665 B2	12/2020	Shelton, IV et al.	10,952,759 B2	3/2021	Messerly et al.
10,869,666 B2	12/2020	Shelton, IV et al.	10,952,767 B2	3/2021	Kostrzewski et al.
10,869,669 B2	12/2020	Shelton, IV et al.	10,959,722 B2	3/2021	Morgan et al.
10,874,290 B2	12/2020	Walén et al.	10,959,725 B2	3/2021	Kerr et al.
10,874,391 B2	12/2020	Shelton, IV et al.	10,959,727 B2	3/2021	Hunter et al.
10,874,392 B2	12/2020	Scirica et al.	10,959,731 B2	3/2021	Casasanta, Jr. et al.
10,874,393 B2	12/2020	Satti, III et al.	10,959,744 B2	3/2021	Shelton, IV et al.
10,874,396 B2	12/2020	Moore et al.	10,959,797 B2	3/2021	Licht et al.
10,874,399 B2	12/2020	Zhang	D917,500 S	4/2021	Siebel et al.
10,879,275 B2	12/2020	Li et al.	10,966,627 B2	4/2021	Shelton, IV et al.
D907,647 S	1/2021	Siebel et al.	10,966,717 B2	4/2021	Shah et al.
D907,648 S	1/2021	Siebel et al.	10,966,718 B2	4/2021	Shelton, IV et al.
D908,216 S	1/2021	Messerly et al.	10,966,791 B2	4/2021	Harris et al.
10,881,395 B2	1/2021	Merchant et al.	10,973,515 B2	4/2021	Harris et al.
10,881,396 B2	1/2021	Shelton, IV et al.	10,973,516 B2	4/2021	Shelton, IV et al.
10,881,399 B2	1/2021	Shelton, IV et al.	10,973,517 B2	4/2021	Wixey
10,881,401 B2	1/2021	Baber et al.	10,973,519 B2	4/2021	Weir et al.
10,881,446 B2	1/2021	Strobl	10,973,520 B2	4/2021	Shelton, IV et al.
10,888,318 B2	1/2021	Parihar et al.	10,980,534 B2	4/2021	Yates et al.
10,888,321 B2	1/2021	Shelton, IV et al.	10,980,535 B2	4/2021	Yates et al.
10,888,322 B2	1/2021	Morgan et al.	10,980,536 B2	4/2021	Weaner et al.
10,888,323 B2	1/2021	Chen et al.	10,980,537 B2	4/2021	Shelton, IV et al.
10,888,325 B2	1/2021	Harris et al.	10,980,538 B2	4/2021	Nalagatla et al.
10,888,328 B2	1/2021	Shelton, IV et al.	10,980,539 B2	4/2021	Harris et al.
10,888,329 B2	1/2021	Moore et al.	10,980,560 B2	4/2021	Shelton, IV et al.
10,888,330 B2	1/2021	Moore et al.	10,983,646 B2	4/2021	Yoon et al.
10,888,369 B2	1/2021	Messerly et al.	10,987,102 B2	4/2021	Gonzalez et al.
10,892,899 B2	1/2021	Shelton, IV et al.	10,987,178 B2	4/2021	Shelton, IV et al.
10,893,853 B2	1/2021	Shelton, IV et al.	10,993,713 B2	5/2021	Shelton, IV et al.
10,893,863 B2	1/2021	Shelton, IV et al.	10,993,715 B2	5/2021	Shelton, IV et al.
10,893,864 B2	1/2021	Harris et al.	10,993,716 B2	5/2021	Shelton, IV et al.
10,893,867 B2	1/2021	Leimbach et al.	10,993,717 B2	5/2021	Shelton, IV et al.
10,898,183 B2	1/2021	Shelton, IV et al.	11,000,274 B2	5/2021	Shelton, IV et al.
10,898,184 B2	1/2021	Yates et al.	11,000,275 B2	5/2021	Shelton, IV et al.
10,898,185 B2	1/2021	Overmyer et al.	11,000,277 B2	5/2021	Giordano et al.
10,898,186 B2	1/2021	Bakos et al.	11,000,278 B2	5/2021	Shelton, IV et al.
10,898,190 B2	1/2021	Yates et al.	11,000,279 B2	5/2021	Shelton, IV et al.
10,898,193 B2	1/2021	Shelton, IV et al.	11,006,951 B2	5/2021	Giordano et al.
10,898,194 B2	1/2021	Moore et al.	11,006,955 B2	5/2021	Shelton, IV et al.
10,898,195 B2	1/2021	Moore et al.	11,007,004 B2	5/2021	Shelton, IV et al.
10,903,685 B2	1/2021	Yates et al.	11,007,022 B2	5/2021	Shelton, IV et al.
D910,847 S	2/2021	Shelton, IV et al.	11,013,511 B2	5/2021	Huang et al.
10,905,415 B2	2/2021	DiNardo et al.	11,013,552 B2	5/2021	Widenhouse et al.
10,905,418 B2	2/2021	Shelton, IV et al.	11,013,563 B2	5/2021	Shelton, IV et al.
10,905,420 B2	2/2021	Jasemian et al.	11,020,016 B2	6/2021	Wallace et al.
10,905,422 B2	2/2021	Bakos et al.	11,020,112 B2	6/2021	Shelton, IV et al.
10,905,423 B2	2/2021	Baber et al.	11,020,113 B2	6/2021	Shelton, IV et al.
10,905,426 B2	2/2021	Moore et al.	11,020,114 B2	6/2021	Shelton, IV et al.
10,905,427 B2	2/2021	Moore et al.	11,020,115 B2	6/2021	Scheib et al.
10,911,515 B2	2/2021	Blasi et al.	11,026,678 B2	6/2021	Overmyer et al.
10,912,559 B2	2/2021	Harris et al.	11,026,680 B2	6/2021	Shelton, IV et al.
10,912,562 B2	2/2021	Dunki-Jacobs et al.	11,026,684 B2	6/2021	Shelton, IV et al.
10,912,575 B2	2/2021	Shelton, IV et al.	11,026,687 B2	6/2021	Shelton, IV et al.
10,918,364 B2	2/2021	Applegate et al.	11,026,712 B2	6/2021	Shelton, IV et al.
10,918,380 B2	2/2021	Morgan et al.	11,026,713 B2	6/2021	Stokes et al.
10,918,385 B2	2/2021	Overmyer et al.	11,026,751 B2	6/2021	Shelton, IV et al.
10,918,386 B2	2/2021	Shelton, IV et al.	11,033,267 B2	6/2021	Shelton, IV et al.
10,919,156 B2	2/2021	Roberts et al.	11,039,834 B2	6/2021	Harris et al.
10,925,600 B2	2/2021	McCuen	11,039,836 B2	6/2021	Shelton, IV et al.
10,925,605 B2	2/2021	Moore et al.	11,039,837 B2	6/2021	Shelton, IV et al.
D914,878 S	3/2021	Shelton, IV et al.	11,045,189 B2	6/2021	Yates et al.
10,932,772 B2	3/2021	Shelton, IV et al.	11,045,191 B2	6/2021	Shelton, IV et al.
10,932,774 B2	3/2021	Shelton, IV	11,045,192 B2	6/2021	Harris et al.
10,932,775 B2	3/2021	Shelton, IV et al.	11,045,196 B2	6/2021	Olson et al.
10,932,778 B2	3/2021	Smith et al.	11,045,197 B2	6/2021	Shelton, IV et al.
10,932,779 B2	3/2021	Vendely et al.	11,045,270 B2	6/2021	Shelton, IV et al.
10,932,784 B2	3/2021	Mozdzierz et al.	11,051,810 B2	7/2021	Harris et al.
10,932,804 B2	3/2021	Scheib et al.	11,051,811 B2	7/2021	Shelton, IV et al.
10,932,806 B2	3/2021	Shelton, IV et al.	11,051,813 B2	7/2021	Shelton, IV et al.
10,932,872 B2	3/2021	Shelton, IV et al.	11,051,836 B2	7/2021	Shelton, IV et al.



# US D975,851 S

11,051,840 B2	7/2021	Shelton, IV et al.	11,147,553 B2	10/2021	Shelton, IV
11,051,873 B2	7/2021	Wiener et al.	11,147,554 B2	10/2021	Aronhalt et al.
11,058,418 B2	7/2021	Shelton, IV et al.	11,154,296 B2	10/2021	Aronhalt et al.
11,058,420 B2	7/2021	Shelton, IV et al.	11,154,297 B2	10/2021	Swayze et al.
11,058,422 B2	7/2021	Harris et al.	11,154,298 B2	10/2021	Timm et al.
11,058,423 B2	7/2021	Shelton, IV et al.	11,154,299 B2	10/2021	Shelton, IV et al.
11,058,424 B2	7/2021	Shelton, IV et al.	11,154,300 B2	10/2021	Nalagatla et al.
11,058,425 B2	7/2021	Widenhouse et al.	11,154,301 B2	10/2021	Beckman et al.
11,058,426 B2	7/2021	Nalagatla et al.	11,160,551 B2	11/2021	Shelton, IV et al.
11,058,498 B2	7/2021	Shelton, IV et al.	11,160,553 B2	11/2021	Simms et al.
11,064,997 B2	7/2021	Shelton, IV et al.	11,160,601 B2	11/2021	Worrell et al.
11,064,998 B2	7/2021	Shelton, IV	11,172,580 B2	11/2021	Gaertner, II
11,065,048 B2	7/2021	Messerly et al.	11,202,633 B2	12/2021	Harris et al.
11,069,012 B2	7/2021	Shelton, IV et al.	11,234,700 B2	2/2022	Ragosta et al.
11,071,542 B2	7/2021	Chen et al.	11,304,704 B2	4/2022	Thomas et al.
11,071,543 B2	7/2021	Shelton, IV et al.	D950,728 S	5/2022	Bakos et al.
11,071,545 B2	7/2021	Baber et al.	D952,144 S	5/2022	Boudreaux
11,071,554 B2	7/2021	Parfett et al.	2001/0000531 A1	4/2001	Casscells et al.
11,071,560 B2	7/2021	Deck et al.	2001/0025183 A1	9/2001	Shahidi
11,076,853 B2	8/2021	Parfett et al.	2001/0025184 A1	9/2001	Messerly
11,076,854 B2	8/2021	Baber et al.	2001/0034530 A1	10/2001	Malackowski et al.
11,076,921 B2	8/2021	Shelton, IV et al.	2002/0014510 A1	2/2002	Richter et al.
11,076,929 B2	8/2021	Shelton, IV et al.	2002/0022810 A1	2/2002	Urich
11,083,452 B2	8/2021	Schmid et al.	2002/0022836 A1	2/2002	Goble et al.
11,083,453 B2	8/2021	Shelton, IV et al.	2002/0022861 A1	2/2002	Jacobs et al.
11,083,454 B2	8/2021	Harris et al.	2002/0023126 A1	2/2002	Flavin
11,083,455 B2	8/2021	Shelton, IV et al.	2002/0029032 A1	3/2002	Arkin
11,083,456 B2	8/2021	Shelton, IV et al.	2002/0029036 A1	3/2002	Goble et al.
11,083,457 B2	8/2021	Shelton, IV et al.	2002/0042620 A1	4/2002	Julian et al.
11,083,458 B2	8/2021	Harris et al.	2002/0087048 A1	7/2002	Brock et al.
11,090,045 B2	8/2021	Shelton, IV	2002/0091374 A1	7/2002	Cooper
11,090,046 B2	8/2021	Shelton, IV et al.	2002/0095175 A1	7/2002	Brock et al.
11,090,047 B2	8/2021	Shelton, IV et al.	2002/0103494 A1	8/2002	Pacey
11,090,048 B2	8/2021	Fanelli et al.	2002/0111624 A1	8/2002	Witt et al.
11,090,049 B2	8/2021	Bakos et al.	2002/0116063 A1	8/2002	Giannetti et al.
11,090,075 B2	8/2021	Hunter et al.	2002/0117534 A1	8/2002	Green et al.
11,096,688 B2	8/2021	Shelton, IV et al.	2002/0127265 A1	9/2002	Bowman et al.
11,096,689 B2	8/2021	Overmyer et al.	2002/0128633 A1	9/2002	Brock et al.
11,100,631 B2	8/2021	Yates et al.	2002/0134811 A1	9/2002	Napier et al.
11,103,241 B2	8/2021	Yates et al.	2002/0135474 A1	9/2002	Sylliassen
11,103,248 B2	8/2021	Shelton, IV et al.	2002/0138086 A1	9/2002	Sixto et al.
11,103,268 B2	8/2021	Shelton, IV et al.	2002/0143340 A1	10/2002	Kaneko
11,103,269 B2	8/2021	Shelton, IV et al.	2002/0151770 A1	10/2002	Noll et al.
11,109,858 B2	9/2021	Shelton, IV et al.	2002/0158593 A1	10/2002	Henderson et al.
11,109,859 B2	9/2021	Overmyer et al.	2002/0161277 A1	10/2002	Boone et al.
11,109,860 B2	9/2021	Shelton, IV et al.	2002/0177848 A1	11/2002	Truckai et al.
11,109,866 B2	9/2021	Shelton, IV et al.	2002/0185514 A1	12/2002	Adams et al.
11,109,878 B2	9/2021	Shelton, IV et al.	2002/0188170 A1	12/2002	Santamore et al.
11,109,925 B2	9/2021	Cooper et al.	2002/0188287 A1	12/2002	Zvuloni et al.
11,116,485 B2	9/2021	Scheib et al.	2003/0009193 A1	1/2003	Corsaro
11,116,502 B2	9/2021	Shelton, IV et al.	2003/0011245 A1	1/2003	Fiebig
11,123,069 B2	9/2021	Baxter, III et al.	2003/0012805 A1	1/2003	Chen et al.
11,123,070 B2	9/2021	Shelton, IV et al.	2003/0028236 A1	2/2003	Gillick et al.
11,129,611 B2	9/2021	Shelton, IV et al.	2003/0040670 A1	2/2003	Govari
11,129,613 B2	9/2021	Harris et al.	2003/0045835 A1	3/2003	Anderson et al.
11,129,615 B2	9/2021	Scheib et al.	2003/0047230 A1	3/2003	Kim
11,129,616 B2	9/2021	Shelton, IV et al.	2003/0047582 A1	3/2003	Sonnenschein et al.
11,129,634 B2	9/2021	Scheib et al.	2003/0050654 A1	3/2003	Whitman et al.
11,129,636 B2	9/2021	Shelton, IV et al.	2003/0066858 A1	4/2003	Holgersson
11,129,666 B2	9/2021	Messerly et al.	2003/0078647 A1	4/2003	Vallana et al.
11,129,680 B2	9/2021	Shelton, IV et al.	2003/0083648 A1	5/2003	Wang et al.
11,132,462 B2	9/2021	Shelton, IV et al.	2003/0084983 A1	5/2003	Rangachari et al.
11,133,106 B2	9/2021	Shelton, IV et al.	2003/0093103 A1	5/2003	Malackowski et al.
11,134,938 B2	10/2021	Timm et al.	2003/0094356 A1	5/2003	Waldron
11,134,940 B2	10/2021	Shelton, IV et al.	2003/0096158 A1	5/2003	Takano et al.
11,134,942 B2	10/2021	Harris et al.	2003/0114851 A1	6/2003	Truckai et al.
11,134,943 B2	10/2021	Giordano et al.	2003/0121586 A1	7/2003	Mitra et al.
11,134,944 B2	10/2021	Wise et al.	2003/0139741 A1	7/2003	Goble et al.
11,134,947 B2	10/2021	Shelton, IV et al.	2003/0144660 A1	7/2003	Mollenauer
11,135,352 B2	10/2021	Shelton, IV et al.	2003/0149406 A1	8/2003	Martineau et al.
11,141,153 B2	10/2021	Shelton, IV et al.	2003/0153908 A1	8/2003	Goble et al.
11,141,154 B2	10/2021	Shelton, IV et al.	2003/0153968 A1	8/2003	Geis et al.
11,141,155 B2	10/2021	Shelton, IV	2003/0163029 A1	8/2003	Sonnenschein et al.
11,141,156 B2	10/2021	Shelton, IV	2003/0163085 A1	8/2003	Tanner et al.
11,141,159 B2	10/2021	Scheib et al.	2003/0164172 A1	9/2003	Chumas et al.
11,141,160 B2	10/2021	Shelton, IV et al.	2003/0181800 A1	9/2003	Bonutti
11,147,547 B2	10/2021	Shelton, IV et al.	2003/0181900 A1	9/2003	Long
11,147,549 B2	10/2021	Timm et al.	2003/0190584 A1	10/2003	Heasley
11,147,551 B2	10/2021	Shelton, IV	2003/0195387 A1	10/2003	Kortenbach et al.



# US D975,851 S

Page 41

2003/0205029	A1	11/2003	Chapolini et al.	2005/0059997	A1	3/2005	Bauman et al.
2003/0212005	A1	11/2003	Petito et al.	2005/0067548	A1	3/2005	Inoue
2003/0216732	A1	11/2003	Truckai et al.	2005/0070929	A1	3/2005	Dalessandro et al.
2003/0236505	A1	12/2003	Bonadio et al.	2005/0075561	A1	4/2005	Golden
2004/0006335	A1	1/2004	Garrison	2005/0079088	A1	4/2005	Wirth et al.
2004/0006340	A1	1/2004	Latterell et al.	2005/0080342	A1	4/2005	Gilreath et al.
2004/0007608	A1	1/2004	Ehrenfels et al.	2005/0085693	A1	4/2005	Belson et al.
2004/0024457	A1	2/2004	Boyce et al.	2005/0090709	A1	4/2005	Okada et al.
2004/0028502	A1	2/2004	Cummins	2005/0090817	A1	4/2005	Phan
2004/0030333	A1	2/2004	Goble	2005/0096683	A1	5/2005	Ellins et al.
2004/0034287	A1	2/2004	Hickle	2005/0116673	A1	6/2005	Carl et al.
2004/0034357	A1	2/2004	Beane et al.	2005/0120836	A1	6/2005	Anderson
2004/0044295	A1	3/2004	Reinert et al.	2005/0124855	A1	6/2005	Jaffe et al.
2004/0044364	A1	3/2004	DeVries et al.	2005/0125897	A1	6/2005	Wyslucha et al.
2004/0049121	A1	3/2004	Yaron	2005/0129735	A1	6/2005	Cook et al.
2004/0049172	A1	3/2004	Root et al.	2005/0130682	A1	6/2005	Takara et al.
2004/0059362	A1	3/2004	Knodel et al.	2005/0131173	A1	6/2005	McDaniel et al.
2004/0068161	A1	4/2004	Couvillon	2005/0131211	A1	6/2005	Bayley et al.
2004/0068224	A1	4/2004	Couvillon et al.	2005/0131390	A1	6/2005	Heinrich et al.
2004/0068307	A1	4/2004	Goble	2005/0131436	A1	6/2005	Johnston et al.
2004/0070369	A1	4/2004	Sakakibara	2005/0131457	A1	6/2005	Douglas et al.
2004/0073222	A1	4/2004	Koseki	2005/0137454	A1	6/2005	Saadat et al.
2004/0078037	A1	4/2004	Batchelor et al.	2005/0137455	A1	6/2005	Ewers et al.
2004/0082952	A1	4/2004	Dycus et al.	2005/0139636	A1	6/2005	Schwemberger et al.
2004/0085180	A1	5/2004	Juang	2005/0143759	A1	6/2005	Kelly
2004/0092992	A1	5/2004	Adams et al.	2005/0143769	A1	6/2005	White et al.
2004/0093020	A1	5/2004	Sinton	2005/0145671	A1	7/2005	Viola
2004/0093024	A1	5/2004	Lousararian et al.	2005/0145672	A1	7/2005	Schwemberger et al.
2004/0098040	A1	5/2004	Taniguchi et al.	2005/0150928	A1	7/2005	Kameyama et al.
2004/0101822	A1	5/2004	Wiesner et al.	2005/0154258	A1	7/2005	Tartaglia et al.
2004/0102783	A1	5/2004	Sutterlin et al.	2005/0154406	A1	7/2005	Bombard et al.
2004/0108357	A1	6/2004	Milliman et al.	2005/0159778	A1	7/2005	Heinrich et al.
2004/0110439	A1	6/2004	Chaikof et al.	2005/0165419	A1	7/2005	Sauer et al.
2004/0115022	A1	6/2004	Albertson et al.	2005/0169974	A1	8/2005	Tenerz et al.
2004/0116952	A1	6/2004	Sakurai et al.	2005/0171522	A1	8/2005	Christopherson
2004/0119185	A1	6/2004	Chen	2005/0177176	A1	8/2005	Gerbi et al.
2004/0122419	A1	6/2004	Neuberger	2005/0177181	A1	8/2005	Kagan et al.
2004/0122423	A1	6/2004	Dycus et al.	2005/0177249	A1	8/2005	Kladakis et al.
2004/0133095	A1	7/2004	Dunki-Jacobs et al.	2005/0182298	A1	8/2005	Ikeda et al.
2004/0133189	A1	7/2004	Sakurai	2005/0182443	A1	8/2005	Jonn et al.
2004/0143297	A1	7/2004	Ramsey	2005/0184121	A1	8/2005	Heinrich
2004/0147909	A1	7/2004	Johnston et al.	2005/0186240	A1	8/2005	Ringeisen et al.
2004/0153100	A1	8/2004	Ahlberg et al.	2005/0187545	A1	8/2005	Hooven et al.
2004/0158261	A1	8/2004	Vu	2005/0191936	A1	9/2005	Marine et al.
2004/0164123	A1	8/2004	Racenet et al.	2005/0203550	A1	9/2005	Laufer et al.
2004/0166169	A1	8/2004	Malaviya et al.	2005/0209614	A1	9/2005	Fenter et al.
2004/0167572	A1	8/2004	Roth et al.	2005/0216055	A1	9/2005	Scirica et al.
2004/0181219	A1	9/2004	Goble et al.	2005/0222587	A1	10/2005	Jinno et al.
2004/0193189	A1	9/2004	Kortenbach et al.	2005/0222611	A1	10/2005	Weitkamp
2004/0197367	A1	10/2004	Rezania et al.	2005/0222616	A1	10/2005	Rethy et al.
2004/0199181	A1	10/2004	Knodel et al.	2005/0222665	A1	10/2005	Aranyi
2004/0204735	A1	10/2004	Shiroff et al.	2005/0228224	A1	10/2005	Okada et al.
2004/0218451	A1	11/2004	Said et al.	2005/0228446	A1	10/2005	Mooradian et al.
2004/0222268	A1	11/2004	Bilotti et al.	2005/0230453	A1	10/2005	Viola
2004/0225186	A1	11/2004	Horne et al.	2005/0240178	A1	10/2005	Morley et al.
2004/0232201	A1	11/2004	Wenchell et al.	2005/0242950	A1	11/2005	Lindsay et al.
2004/0236352	A1	11/2004	Wang et al.	2005/0245965	A1	11/2005	Orban, III et al.
2004/0239582	A1	12/2004	Seymour	2005/0246881	A1	11/2005	Kelly et al.
2004/0243147	A1	12/2004	Lipow	2005/0251063	A1	11/2005	Basude
2004/0243151	A1	12/2004	Demmy et al.	2005/0256452	A1	11/2005	DeMarchi et al.
2004/0243163	A1	12/2004	Casiano et al.	2005/0256546	A1	11/2005	Vaisnys et al.
2004/0247415	A1	12/2004	Mangone	2005/0258963	A1	11/2005	Rodriguez et al.
2004/0249366	A1	12/2004	Kunz	2005/0261676	A1	11/2005	Hall et al.
2004/0254455	A1	12/2004	Iddan	2005/0263563	A1	12/2005	Racenet et al.
2004/0254566	A1	12/2004	Plicchi et al.	2005/0267455	A1	12/2005	Eggers et al.
2004/0254590	A1	12/2004	Hoffman et al.	2005/0274034	A1	12/2005	Hayashida et al.
2004/0254680	A1	12/2004	Sunaoshi	2005/0283188	A1	12/2005	Loshakove et al.
2004/0260315	A1	12/2004	Dell et al.	2005/0283226	A1	12/2005	Haverkost
2004/0267310	A1	12/2004	Racenet et al.	2006/0008787	A1	1/2006	Hayman et al.
2005/0010158	A1	1/2005	Brugger et al.	2006/0011698	A1	1/2006	Okada et al.
2005/0010213	A1	1/2005	Stad et al.	2006/0015009	A1	1/2006	Jaffe et al.
2005/0021078	A1	1/2005	Vleugels et al.	2006/0020167	A1	1/2006	Sitzmann
2005/0023325	A1	2/2005	Gresham et al.	2006/0020258	A1	1/2006	Strauss et al.
2005/0032511	A1	2/2005	Malone et al.	2006/0020336	A1	1/2006	Liddicoat
2005/0033352	A1	2/2005	Zepf et al.	2006/0025812	A1	2/2006	Shelton
2005/0051163	A1	3/2005	Deem et al.	2006/0041188	A1	2/2006	Dirusso et al.
2005/0054946	A1	3/2005	Krzyzanowski	2006/0047275	A1	3/2006	Goble
2005/0057225	A1	3/2005	Marquet	2006/0049229	A1	3/2006	Milliman et al.
2005/0058890	A1	3/2005	Brazell et al.	2006/0052824	A1	3/2006	Ransick et al.



# US D975,851 S

2006/0052825	A1	3/2006	Ransick et al.	2007/0103437	A1	5/2007	Rosenberg
2006/0064086	A1	3/2006	Odom	2007/0106113	A1	5/2007	Ravo
2006/0079735	A1	4/2006	Martone et al.	2007/0106317	A1	5/2007	Shelton et al.
2006/0079874	A1	4/2006	Faller et al.	2007/0118115	A1	5/2007	Artale et al.
2006/0079879	A1	4/2006	Faller et al.	2007/0134251	A1	6/2007	Ashkenazi et al.
2006/0086032	A1	4/2006	Valencic et al.	2007/0135686	A1	6/2007	Pruitt et al.
2006/0087746	A1	4/2006	Lipow	2007/0135803	A1	6/2007	Belson
2006/0089535	A1	4/2006	Raz et al.	2007/0152612	A1	7/2007	Chen et al.
2006/0097699	A1	5/2006	Kamenoff	2007/0152829	A1	7/2007	Lindsay et al.
2006/0100643	A1	5/2006	Laufer et al.	2007/0155010	A1	7/2007	Farnsworth et al.
2006/0100649	A1	5/2006	Hart	2007/0170225	A1	7/2007	Shelton et al.
2006/0106369	A1	5/2006	Desai et al.	2007/0173687	A1	7/2007	Shima et al.
2006/0111711	A1	5/2006	Goble	2007/0173813	A1	7/2007	Odom
2006/0111723	A1	5/2006	Chapolini et al.	2007/0173872	A1	7/2007	Neuenfeldt
2006/0116634	A1	6/2006	Shachar	2007/0175950	A1	8/2007	Shelton et al.
2006/0142772	A1	6/2006	Ralph et al.	2007/0175951	A1	8/2007	Shelton et al.
2006/0144898	A1	7/2006	Bilotti et al.	2007/0175955	A1	8/2007	Shelton et al.
2006/0154546	A1	7/2006	Murphy et al.	2007/0179477	A1	8/2007	Danger
2006/0161050	A1	7/2006	Butler et al.	2007/0185545	A1	8/2007	Duke
2006/0161185	A1	7/2006	Saadat et al.	2007/0187857	A1	8/2007	Riley et al.
2006/0167471	A1	7/2006	Phillips	2007/0190110	A1	8/2007	Pameijer et al.
2006/0173290	A1	8/2006	Lavallee et al.	2007/0191868	A1	8/2007	Theroux et al.
2006/0173470	A1	8/2006	Oray et al.	2007/0191915	A1	8/2007	Strother et al.
2006/0176031	A1	8/2006	Forman et al.	2007/0194079	A1	8/2007	Hueil et al.
2006/0176242	A1	8/2006	Jaramaz et al.	2007/0194082	A1	8/2007	Morgan et al.
2006/0178556	A1	8/2006	Hasser et al.	2007/0197954	A1	8/2007	Keenan
2006/0180633	A1	8/2006	Emmons	2007/0198039	A1	8/2007	Jones et al.
2006/0180634	A1	8/2006	Shelton et al.	2007/0203510	A1	8/2007	Bettuchi
2006/0185682	A1	8/2006	Marczyk	2007/0207010	A1	9/2007	Caspi
2006/0199999	A1	9/2006	Ikeda et al.	2007/0208359	A1	9/2007	Hoffman
2006/0201989	A1	9/2006	Ojeda	2007/0208375	A1	9/2007	Nishizawa et al.
2006/0206100	A1	9/2006	Eskridge et al.	2007/0213750	A1	9/2007	Weadock
2006/0217729	A1	9/2006	Eskridge et al.	2007/0225562	A1	9/2007	Spivey et al.
2006/0226957	A1	10/2006	Miller et al.	2007/0233163	A1	10/2007	Bombard et al.
2006/0235368	A1	10/2006	Oz	2007/0243227	A1	10/2007	Gertner
2006/0241666	A1	10/2006	Briggs et al.	2007/0244471	A1	10/2007	Malackowski
2006/0244460	A1	11/2006	Weaver	2007/0244496	A1	10/2007	Hellenkamp
2006/0247584	A1	11/2006	Sheetz et al.	2007/0246505	A1	10/2007	Pace-Florida et al.
2006/0252981	A1	11/2006	Matsuda et al.	2007/0260132	A1	11/2007	Sterling
2006/0252990	A1	11/2006	Kubach	2007/0262592	A1	11/2007	Hwang et al.
2006/0252993	A1	11/2006	Freed et al.	2007/0270660	A1	11/2007	Caylor et al.
2006/0258904	A1	11/2006	Stefanchik et al.	2007/0275035	A1	11/2007	Herman et al.
2006/0259073	A1	11/2006	Miyamoto et al.	2007/0276409	A1	11/2007	Ortiz et al.
2006/0261763	A1	11/2006	Iott et al.	2007/0279011	A1	12/2007	Jones et al.
2006/0263444	A1	11/2006	Ming et al.	2007/0286892	A1	12/2007	Herzberg et al.
2006/0264831	A1	11/2006	Skwarek et al.	2007/0290027	A1	12/2007	Maatta et al.
2006/0264929	A1	11/2006	Goble et al.	2007/0296286	A1	12/2007	Avenell
2006/0271042	A1	11/2006	Latterell et al.	2008/0000941	A1	1/2008	Sonnenschein et al.
2006/0271102	A1	11/2006	Bosshard et al.	2008/0003196	A1	1/2008	Jonn et al.
2006/0282064	A1	12/2006	Shimizu et al.	2008/0007237	A1	1/2008	Nagashima et al.
2006/0284730	A1	12/2006	Schmid et al.	2008/0015598	A1	1/2008	Prommersberger
2006/0287576	A1	12/2006	Tsuji et al.	2008/0021486	A1	1/2008	Oyola et al.
2006/0289602	A1	12/2006	Wales et al.	2008/0029570	A1	2/2008	Shelton et al.
2006/0291981	A1	12/2006	Viola et al.	2008/0029573	A1	2/2008	Shelton et al.
2007/0005045	A1	1/2007	Mintz et al.	2008/0029574	A1	2/2008	Shelton et al.
2007/0009570	A1	1/2007	Kim et al.	2008/0029575	A1	2/2008	Shelton et al.
2007/0010702	A1	1/2007	Wang et al.	2008/0030170	A1	2/2008	Dacquay et al.
2007/0010838	A1	1/2007	Shelton et al.	2008/0039746	A1	2/2008	Hissong et al.
2007/0016235	A1	1/2007	Tanaka et al.	2008/0042861	A1	2/2008	Dacquay et al.
2007/0018958	A1	1/2007	Tavakoli et al.	2008/0051833	A1	2/2008	Gramuglia et al.
2007/0026039	A1	2/2007	Drumheller et al.	2008/0064920	A1	3/2008	Bakos et al.
2007/0026040	A1	2/2007	Crawley et al.	2008/0064921	A1	3/2008	Larkin et al.
2007/0027468	A1	2/2007	Wales et al.	2008/0065153	A1	3/2008	Allard et al.
2007/0027551	A1	2/2007	Farnsworth et al.	2008/0069736	A1	3/2008	Mingerink et al.
2007/0043387	A1	2/2007	Vargas et al.	2008/0071328	A1	3/2008	Haubrich et al.
2007/0049951	A1	3/2007	Menn	2008/0077158	A1	3/2008	Haider et al.
2007/0049966	A1	3/2007	Bonadio et al.	2008/0078802	A1	4/2008	Hess et al.
2007/0051375	A1	3/2007	Milliman	2008/0081948	A1	4/2008	Weisenburgh et al.
2007/0055228	A1	3/2007	Berg et al.	2008/0082114	A1	4/2008	McKenna et al.
2007/0055305	A1	3/2007	Schnyder et al.	2008/0082125	A1	4/2008	Murray et al.
2007/0073341	A1	3/2007	Smith et al.	2008/0082126	A1	4/2008	Murray et al.
2007/0073389	A1	3/2007	Bolduc et al.	2008/0083807	A1	4/2008	Beardsley et al.
2007/0078328	A1	4/2007	Ozaki et al.	2008/0083811	A1	4/2008	Marczyk
2007/0078484	A1	4/2007	Talarico et al.	2008/0085296	A1	4/2008	Powell et al.
2007/0084897	A1	4/2007	Shelton et al.	2008/0086078	A1	4/2008	Powell et al.
2007/0088376	A1	4/2007	Zacharias	2008/0091072	A1	4/2008	Omori et al.
2007/0090788	A1	4/2007	Hansford et al.	2008/0108443	A1	5/2008	Jinno et al.
2007/0093869	A1	4/2007	Bloom et al.	2008/0114250	A1	5/2008	Urbano et al.
2007/0102472	A1	5/2007	Shelton	2008/0125634	A1	5/2008	Ryan et al.



# US D975,851 S

2008/0125749 A1	5/2008	Olson	2009/0143855 A1	6/2009	Weber et al.
2008/0128469 A1	6/2008	Dalessandro et al.	2009/0149871 A9	6/2009	Kagan et al.
2008/0129253 A1	6/2008	Shiue et al.	2009/0167548 A1	7/2009	Sugahara
2008/0135600 A1	6/2008	Hiranuma et al.	2009/0171147 A1	7/2009	Lee et al.
2008/0140115 A1	6/2008	Stopek	2009/0177218 A1	7/2009	Young et al.
2008/0140159 A1	6/2008	Bornhoft et al.	2009/0177226 A1	7/2009	Reinprecht et al.
2008/0149682 A1	6/2008	Uhm	2009/0181290 A1	7/2009	Baldwin et al.
2008/0154299 A1	6/2008	Livneh	2009/0188964 A1	7/2009	Orlov
2008/0154335 A1	6/2008	Thrope et al.	2009/0192534 A1	7/2009	Ortiz et al.
2008/0169328 A1	7/2008	Shelton	2009/0198272 A1	8/2009	Kerver et al.
2008/0169332 A1	7/2008	Shelton et al.	2009/0204108 A1	8/2009	Steffen
2008/0169333 A1	7/2008	Shelton et al.	2009/0204109 A1	8/2009	Grove et al.
2008/0172087 A1	7/2008	Fuchs et al.	2009/0204126 A1	8/2009	Le
2008/0177392 A1	7/2008	Williams et al.	2009/0206125 A1	8/2009	Huitema et al.
2008/0190989 A1	8/2008	Crews et al.	2009/0206126 A1	8/2009	Huitema et al.
2008/0196253 A1	8/2008	Ezra et al.	2009/0206131 A1	8/2009	Weisenburgh, II et al.
2008/0196419 A1	8/2008	Dube	2009/0206133 A1	8/2009	Morgan et al.
2008/0197167 A1	8/2008	Viola et al.	2009/0206137 A1	8/2009	Hall et al.
2008/0200755 A1	8/2008	Bakos	2009/0206139 A1	8/2009	Hall et al.
2008/0200762 A1	8/2008	Stokes et al.	2009/0206141 A1	8/2009	Huitema et al.
2008/0200835 A1	8/2008	Monson et al.	2009/0206142 A1	8/2009	Huitema et al.
2008/0200911 A1	8/2008	Long	2009/0221993 A1	9/2009	Sohi et al.
2008/0200933 A1	8/2008	Bakos et al.	2009/0227834 A1	9/2009	Nakamoto et al.
2008/0200934 A1	8/2008	Fox	2009/0234273 A1	9/2009	Intoccia et al.
2008/0206186 A1	8/2008	Butler et al.	2009/0242610 A1	10/2009	Shelton, IV et al.
2008/0208058 A1	8/2008	Sabata et al.	2009/0246873 A1	10/2009	Yamamoto et al.
2008/0216704 A1	9/2008	Eisenbeis et al.	2009/0247368 A1	10/2009	Chiang
2008/0234709 A1	9/2008	Houser	2009/0247901 A1	10/2009	Zimmer
2008/0234866 A1	9/2008	Kishi et al.	2009/0248100 A1	10/2009	Vaisnys et al.
2008/0242939 A1	10/2008	Johnston	2009/0253959 A1	10/2009	Yoshie et al.
2008/0243088 A1	10/2008	Evans	2009/0255974 A1	10/2009	Viola
2008/0249536 A1	10/2008	Stahler et al.	2009/0261141 A1	10/2009	Stratton et al.
2008/0249608 A1	10/2008	Dave	2009/0262078 A1	10/2009	Pizzi
2008/0255413 A1	10/2008	Zemlok et al.	2009/0270895 A1	10/2009	Churchill et al.
2008/0255420 A1	10/2008	Lee et al.	2009/0273353 A1	11/2009	Kroh et al.
2008/0255663 A1	10/2008	Akpek et al.	2009/0277288 A1*	11/2009	Doepker ..... A61B 17/07207 73/865.8
2008/0262654 A1	10/2008	Omori et al.			
2008/0269596 A1	10/2008	Revie et al.	2009/0278406 A1	11/2009	Hoffman
2008/0281171 A1	11/2008	Fennell et al.	2009/0290016 A1	11/2009	Suda
2008/0281332 A1	11/2008	Taylor	2009/0292283 A1	11/2009	Odom
2008/0287944 A1	11/2008	Pearson et al.	2009/0306639 A1	12/2009	Nevo et al.
2008/0293910 A1	11/2008	Kapiamba et al.	2009/0308907 A1	12/2009	Nalagatla et al.
2008/0294179 A1	11/2008	Balbierz et al.	2009/0318557 A1	12/2009	Stockel
2008/0296346 A1	12/2008	Shelton, IV et al.	2009/0325859 A1	12/2009	Ameer et al.
2008/0297287 A1	12/2008	Shachar et al.	2010/0005035 A1	1/2010	Carpenter et al.
2008/0298784 A1	12/2008	Kastner	2010/0012703 A1	1/2010	Calabrese et al.
2008/0308504 A1	12/2008	Hallan et al.	2010/0015104 A1	1/2010	Fraser et al.
2008/0308602 A1	12/2008	Timm et al.	2010/0016853 A1	1/2010	Burbank
2008/0308603 A1	12/2008	Shelton et al.	2010/0016888 A1	1/2010	Calabrese et al.
2008/0308807 A1	12/2008	Yamazaki et al.	2010/0017715 A1	1/2010	Balassanian
2008/0312686 A1	12/2008	Ellingwood	2010/0023024 A1	1/2010	Zeiner et al.
2008/0312687 A1	12/2008	Blier	2010/0030233 A1	2/2010	Whitman et al.
2008/0315829 A1	12/2008	Jones et al.	2010/0030239 A1	2/2010	Viola et al.
2009/0001121 A1	1/2009	Hess et al.	2010/0032179 A1	2/2010	Hanspers et al.
2009/0001130 A1	1/2009	Hess et al.	2010/0036370 A1	2/2010	Mirel et al.
2009/0004455 A1	1/2009	Gravagna et al.	2010/0051668 A1	3/2010	Milliman et al.
2009/0005809 A1	1/2009	Hess et al.	2010/0057118 A1	3/2010	Dietz et al.
2009/0012534 A1	1/2009	Madhani et al.	2010/0065604 A1	3/2010	Weng
2009/0015195 A1	1/2009	Loth-Krausser	2010/0069833 A1	3/2010	Wenderow et al.
2009/0020958 A1	1/2009	Soul	2010/0069942 A1	3/2010	Shelton, IV
2009/0048583 A1	2/2009	Williams et al.	2010/0076483 A1	3/2010	Imuta
2009/0048589 A1	2/2009	Takashino et al.	2010/0076489 A1	3/2010	Stopek et al.
2009/0076506 A1	3/2009	Baker	2010/0081883 A1	4/2010	Murray et al.
2009/0078736 A1	3/2009	Van Lue	2010/0094340 A1	4/2010	Stopek et al.
2009/0081313 A1	3/2009	Aghion et al.	2010/0094400 A1	4/2010	Bolduc et al.
2009/0088659 A1	4/2009	Graham et al.	2010/0100123 A1	4/2010	Bennett
2009/0090763 A1	4/2009	Zemlok et al.	2010/0100124 A1	4/2010	Calabrese et al.
2009/0099579 A1	4/2009	Nentwick et al.	2010/0116519 A1	5/2010	Gareis
2009/0099876 A1	4/2009	Whitman	2010/0122339 A1	5/2010	Boccacci
2009/0110533 A1	4/2009	Jinno	2010/0133317 A1	6/2010	Shelton, IV et al.
2009/0112234 A1	4/2009	Crainich et al.	2010/0137990 A1	6/2010	Apatsidis et al.
2009/0114701 A1	5/2009	Zemlok et al.	2010/0138659 A1	6/2010	Carmichael et al.
2009/0118762 A1	5/2009	Crainch et al.	2010/0145146 A1	6/2010	Melder
2009/0119011 A1	5/2009	Kondo et al.	2010/0147921 A1	6/2010	Olson
2009/0131819 A1	5/2009	Ritchie et al.	2010/0147922 A1	6/2010	Olson
2009/0132400 A1	5/2009	Conway	2010/0159435 A1	6/2010	Mueller et al.
2009/0135280 A1	5/2009	Johnston et al.	2010/0168741 A1	7/2010	Sanai et al.
2009/0138003 A1	5/2009	Deville et al.	2010/0179022 A1	7/2010	Shirokoshi
2009/0143797 A1	6/2009	Smith et al.	2010/0180711 A1	7/2010	Kilibarda et al.



# US D975,851 S

2010/0191262	A1	7/2010	Harris et al.	2011/0271186	A1	11/2011	Owens
2010/0191292	A1	7/2010	DeMeo et al.	2011/0275901	A1	11/2011	Shelton, IV
2010/0193566	A1	8/2010	Scheib et al.	2011/0276083	A1	11/2011	Shelton, IV et al.
2010/0198159	A1	8/2010	Voss et al.	2011/0278343	A1	11/2011	Knodel et al.
2010/0204717	A1	8/2010	Knodel	2011/0279268	A1	11/2011	Konishi et al.
2010/0204721	A1	8/2010	Young et al.	2011/0285507	A1	11/2011	Nelson
2010/0217281	A1	8/2010	Matsuoka et al.	2011/0290856	A1	12/2011	Shelton, IV et al.
2010/0222901	A1	9/2010	Swayze et al.	2011/0290858	A1	12/2011	Whitman et al.
2010/0228250	A1	9/2010	Brogna	2011/0292258	A1	12/2011	Adler et al.
2010/0234687	A1	9/2010	Azarbarzin et al.	2011/0293690	A1	12/2011	Griffin et al.
2010/0241137	A1	9/2010	Doyle et al.	2011/0295295	A1	12/2011	Shelton, IV et al.
2010/0245102	A1	9/2010	Yokoi	2011/0295299	A1	12/2011	Braithwaite et al.
2010/0249497	A1	9/2010	Peine et al.	2011/0313894	A1	12/2011	Dye et al.
2010/0249947	A1	9/2010	Lesh et al.	2011/0315413	A1	12/2011	Fisher et al.
2010/0256675	A1	10/2010	Romans	2012/0004636	A1	1/2012	Lo
2010/0258327	A1	10/2010	Esenwein et al.	2012/0007442	A1	1/2012	Rhodes et al.
2010/0267662	A1	10/2010	Fielder et al.	2012/0008880	A1	1/2012	Toth
2010/0274160	A1	10/2010	Yachi et al.	2012/0016239	A1	1/2012	Barthe et al.
2010/0291184	A1	11/2010	Clark et al.	2012/0016413	A1	1/2012	Timm et al.
2010/0292540	A1	11/2010	Hess et al.	2012/0016467	A1	1/2012	Chen et al.
2010/0298636	A1	11/2010	Castro et al.	2012/0029272	A1	2/2012	Shelton, IV et al.
2010/0301097	A1	12/2010	Scirica et al.	2012/0033360	A1	2/2012	Hsu
2010/0310623	A1	12/2010	Laurencin et al.	2012/0059286	A1	3/2012	Hastings et al.
2010/0312261	A1	12/2010	Suzuki et al.	2012/0064483	A1	3/2012	Lint et al.
2010/0318085	A1	12/2010	Austin et al.	2012/0074200	A1	3/2012	Schmid et al.
2010/0327041	A1	12/2010	Milliman et al.	2012/0078243	A1	3/2012	Worrell et al.
2010/0331856	A1	12/2010	Carlson et al.	2012/0078244	A1	3/2012	Worrell et al.
2011/0006101	A1	1/2011	Hall et al.	2012/0080336	A1	4/2012	Shelton, IV et al.
2011/0009694	A1	1/2011	Schultz et al.	2012/0080344	A1	4/2012	Shelton, IV
2011/0011916	A1	1/2011	Levine	2012/0080478	A1	4/2012	Morgan et al.
2011/0016960	A1	1/2011	Debrailly	2012/0080498	A1	4/2012	Shelton, IV et al.
2011/0021871	A1	1/2011	Berkelaar	2012/0086276	A1	4/2012	Sawyers
2011/0022032	A1	1/2011	Zemlok et al.	2012/0095458	A1	4/2012	Cybulski et al.
2011/0024477	A1	2/2011	Hall	2012/0109186	A1	5/2012	Parrott et al.
2011/0024478	A1	2/2011	Shelton, IV	2012/0116261	A1	5/2012	Mumaw et al.
2011/0025311	A1	2/2011	Chauvin et al.	2012/0116262	A1	5/2012	Houser et al.
2011/0028991	A1	2/2011	Ikeda et al.	2012/0116265	A1	5/2012	Houser et al.
2011/0029270	A1	2/2011	Mueglitz	2012/0116266	A1	5/2012	Houser et al.
2011/0036891	A1	2/2011	Zemlok et al.	2012/0116381	A1	5/2012	Houser et al.
2011/0046667	A1	2/2011	Culligan et al.	2012/0118595	A1	5/2012	Pellenc
2011/0052660	A1	3/2011	Yang et al.	2012/0123463	A1	5/2012	Jacobs
2011/0056717	A1	3/2011	Herrisse	2012/0125792	A1	5/2012	Cassivi
2011/0060363	A1	3/2011	Hess et al.	2012/0130217	A1	5/2012	Kauphusman et al.
2011/0066156	A1	3/2011	McGahan et al.	2012/0132286	A1	5/2012	Lim et al.
2011/0082538	A1	4/2011	Dahlgren et al.	2012/0171539	A1	7/2012	Rejman et al.
2011/0087276	A1	4/2011	Bedi et al.	2012/0175398	A1	7/2012	Sandborn et al.
2011/0088921	A1	4/2011	Forgues et al.	2012/0190964	A1	7/2012	Hyde et al.
2011/0091515	A1	4/2011	Zilberman et al.	2012/0197239	A1	8/2012	Smith et al.
2011/0095064	A1	4/2011	Taylor et al.	2012/0197272	A1	8/2012	Oray et al.
2011/0095067	A1	4/2011	Ohdaira	2012/0203213	A1	8/2012	Kimball et al.
2011/0101069	A1	5/2011	Bombard et al.	2012/0211542	A1	8/2012	Racenet
2011/0101794	A1	5/2011	Schroeder et al.	2012/0220990	A1	8/2012	Mckenzie et al.
2011/0112517	A1	5/2011	Peine et al.	2012/0234895	A1	9/2012	O'Connor et al.
2011/0112530	A1	5/2011	Keller	2012/0234897	A1	9/2012	Shelton, IV et al.
2011/0114697	A1	5/2011	Baxter, III et al.	2012/0239068	A1	9/2012	Morris et al.
2011/0118708	A1	5/2011	Burbank et al.	2012/0241494	A1	9/2012	Marczyk
2011/0125149	A1	5/2011	El-Galley et al.	2012/0248169	A1	10/2012	Widenhouse et al.
2011/0125176	A1	5/2011	Yates et al.	2012/0251861	A1	10/2012	Liang et al.
2011/0127945	A1	6/2011	Yoneda	2012/0253328	A1	10/2012	Cunningham et al.
2011/0129706	A1	6/2011	Takahashi et al.	2012/0271327	A1	10/2012	West et al.
2011/0144764	A1	6/2011	Bagga et al.	2012/0283707	A1	11/2012	Giordano et al.
2011/0147433	A1	6/2011	Shelton, IV et al.	2012/0289811	A1	11/2012	Viola et al.
2011/0160725	A1	6/2011	Kabaya et al.	2012/0289979	A1	11/2012	Eskaros et al.
2011/0163146	A1	7/2011	Ortiz et al.	2012/0292367	A1	11/2012	Morgan et al.
2011/0172495	A1	7/2011	Armstrong	2012/0296316	A1	11/2012	Imuta
2011/0174861	A1	7/2011	Shelton, IV et al.	2012/0296342	A1	11/2012	Haglund Wendelschafer
2011/0192882	A1	8/2011	Hess et al.	2012/0298722	A1	11/2012	Hess et al.
2011/0199225	A1	8/2011	Touchberry et al.	2012/0301498	A1	11/2012	Altreuter et al.
2011/0218400	A1	9/2011	Ma et al.	2012/0310254	A1	12/2012	Manzo et al.
2011/0218550	A1	9/2011	Ma	2012/0316424	A1	12/2012	Stopek
2011/0220381	A1	9/2011	Friese et al.	2012/0330329	A1	12/2012	Harris et al.
2011/0224543	A1	9/2011	Johnson et al.	2013/0006227	A1	1/2013	Takashino
2011/0225105	A1	9/2011	Scholer et al.	2013/0008937	A1	1/2013	Viola
2011/0230713	A1	9/2011	Kleemann et al.	2013/0012983	A1	1/2013	Kleyman
2011/0235168	A1	9/2011	Sander	2013/0018400	A1	1/2013	Milton et al.
2011/0238044	A1	9/2011	Main et al.	2013/0020375	A1	1/2013	Shelton, IV et al.
2011/0241597	A1	10/2011	Zhu et al.	2013/0020376	A1	1/2013	Shelton, IV et al.
2011/0251606	A1	10/2011	Kerr	2013/0023861	A1	1/2013	Shelton, IV et al.
2011/0256266	A1	10/2011	Orme et al.	2013/0023910	A1	1/2013	Solomon et al.



# US D975,851 S

2013/0026208	A1	1/2013	Shelton, IV et al.	2014/0151433	A1	6/2014	Shelton, IV et al.
2013/0026210	A1	1/2013	Shelton, IV et al.	2014/0155916	A1	6/2014	Hodgkinson et al.
2013/0030462	A1	1/2013	Keating et al.	2014/0158747	A1	6/2014	Measamer et al.
2013/0041292	A1	2/2013	Cunningham	2014/0166723	A1	6/2014	Beardsley et al.
2013/0057162	A1	3/2013	Pollischansky	2014/0166724	A1	6/2014	Schellin et al.
2013/0068816	A1	3/2013	Mandakolathur Vasudevan et al.	2014/0166725	A1	6/2014	Schellin et al.
2013/0069088	A1	3/2013	Speck et al.	2014/0166726	A1	6/2014	Schellin et al.
2013/0075447	A1	3/2013	Weisenburgh, II et al.	2014/0175147	A1	6/2014	Manoux et al.
2013/0087597	A1	4/2013	Shelton, IV et al.	2014/0175150	A1	6/2014	Shelton, IV et al.
2013/0090534	A1	4/2013	Burns et al.	2014/0175152	A1	6/2014	Hess et al.
2013/0096568	A1	4/2013	Justis	2014/0181710	A1	6/2014	Baalu et al.
2013/0098970	A1	4/2013	Racenet et al.	2014/0183244	A1	7/2014	Duque et al.
2013/0106352	A1	5/2013	Nagamine	2014/0188091	A1	7/2014	Vidal et al.
2013/0112729	A1	5/2013	Beardsley et al.	2014/0188101	A1	7/2014	Bales, Jr. et al.
2013/0116669	A1	5/2013	Shelton, IV et al.	2014/0188159	A1	7/2014	Steege
2013/0123816	A1	5/2013	Hodgkinson et al.	2014/0207124	A1	7/2014	Aldridge et al.
2013/0126202	A1	5/2013	Oomori et al.	2014/0209658	A1	7/2014	Skalla et al.
2013/0131476	A1	5/2013	Siu et al.	2014/0224857	A1	8/2014	Schmid
2013/0131651	A1	5/2013	Strobl et al.	2014/0228632	A1	8/2014	Sholev et al.
2013/0136969	A1	5/2013	Yasui et al.	2014/0228867	A1	8/2014	Thomas et al.
2013/0153639	A1	6/2013	Hodgkinson et al.	2014/0239047	A1	8/2014	Hodgkinson et al.
2013/0153641	A1	6/2013	Shelton, IV et al.	2014/0243865	A1	8/2014	Swayze et al.
2013/0158390	A1	6/2013	Tan et al.	2014/0246475	A1	9/2014	Hall et al.
2013/0162198	A1	6/2013	Yokota et al.	2014/0248167	A1	9/2014	Sugimoto et al.
2013/0169217	A1	7/2013	Watanabe et al.	2014/0249557	A1	9/2014	Koch et al.
2013/0172713	A1	7/2013	Kirschenman	2014/0249573	A1	9/2014	Arav
2013/0172878	A1	7/2013	Smith	2014/0262408	A1	9/2014	Woodard
2013/0175317	A1	7/2013	Yates et al.	2014/0263541	A1	9/2014	Leimbach et al.
2013/0183769	A1	7/2013	Tajima	2014/0263552	A1	9/2014	Hall et al.
2013/0211244	A1	8/2013	Nathaniel	2014/0263558	A1	9/2014	Hausen et al.
2013/0214025	A1	8/2013	Zemlok et al.	2014/0263570	A1*	9/2014	Hopkins ..... A61B 17/07207 227/180.1
2013/0215449	A1	8/2013	Yamasaki				
2013/0231681	A1	9/2013	Robinson et al.	2014/0276730	A1	9/2014	Boudreaux et al.
2013/0233906	A1	9/2013	Hess et al.	2014/0284371	A1	9/2014	Morgan et al.
2013/0238021	A1	9/2013	Gross et al.	2014/0287703	A1	9/2014	Herbsommer et al.
2013/0248578	A1	9/2013	Arteaga Gonzalez	2014/0288460	A1	9/2014	Ouyang et al.
2013/0253480	A1	9/2013	Kimball et al.	2014/0291379	A1	10/2014	Schellin et al.
2013/0256373	A1	10/2013	Schmid et al.	2014/0291383	A1	10/2014	Spivey et al.
2013/0256380	A1	10/2013	Schmid et al.	2014/0299648	A1	10/2014	Shelton, IV et al.
2013/0267950	A1	10/2013	Rosa et al.	2014/0303645	A1	10/2014	Morgan et al.
2013/0267978	A1	10/2013	Trissel	2014/0303660	A1	10/2014	Boyden et al.
2013/0270322	A1	10/2013	Scheib et al.	2014/0330161	A1	11/2014	Swayze et al.
2013/0277410	A1	10/2013	Fernandez et al.	2014/0330298	A1	11/2014	Arshonsky et al.
2013/0284792	A1	10/2013	Ma	2014/0330579	A1	11/2014	Cashman et al.
2013/0289565	A1	10/2013	Hassler, Jr.	2014/0358163	A1	12/2014	Farin et al.
2013/0293353	A1	11/2013	McPherson et al.	2014/0367445	A1	12/2014	Ingmanson et al.
2013/0303845	A1	11/2013	Skula et al.	2014/0374130	A1	12/2014	Nakamura et al.
2013/0306704	A1	11/2013	Balbierz et al.	2014/0378950	A1	12/2014	Chiu
2013/0327552	A1	12/2013	Lovell et al.	2015/0001272	A1	1/2015	Sniffin et al.
2013/0333910	A1	12/2013	Tanimoto et al.	2015/0002089	A1	1/2015	Rejman et al.
2013/0334280	A1	12/2013	Krehel et al.	2015/0025549	A1	1/2015	Kilroy et al.
2013/0334283	A1	12/2013	Swayze et al.	2015/0025571	A1	1/2015	Suzuki et al.
2013/0334285	A1	12/2013	Swayze et al.	2015/0039010	A1	2/2015	Beardsley et al.
2013/0341374	A1	12/2013	Shelton, IV et al.	2015/0053737	A1	2/2015	Leimbach et al.
2014/0001231	A1	1/2014	Shelton, IV et al.	2015/0053743	A1	2/2015	Yates et al.
2014/0001234	A1	1/2014	Shelton, IV et al.	2015/0053746	A1	2/2015	Shelton, IV et al.
2014/0005640	A1	1/2014	Shelton, IV et al.	2015/0053748	A1	2/2015	Yates et al.
2014/0005678	A1	1/2014	Shelton, IV et al.	2015/0060519	A1	3/2015	Shelton, IV et al.
2014/0005702	A1	1/2014	Timm et al.	2015/0060520	A1	3/2015	Shelton, IV et al.
2014/0005718	A1	1/2014	Shelton, IV et al.	2015/0060521	A1	3/2015	Weisenburgh, II et al.
2014/0008289	A1	1/2014	Williams et al.	2015/0066000	A1	3/2015	An et al.
2014/0014704	A1	1/2014	Onukuri et al.	2015/0076208	A1	3/2015	Shelton, IV
2014/0014705	A1	1/2014	Baxter, III	2015/0076209	A1	3/2015	Shelton, IV et al.
2014/0014707	A1	1/2014	Onukuri et al.	2015/0076210	A1	3/2015	Shelton, IV et al.
2014/0018832	A1	1/2014	Shelton, IV	2015/0076211	A1	3/2015	Irka et al.
2014/0022283	A1	1/2014	Chan et al.	2015/0082624	A1	3/2015	Craig et al.
2014/0039549	A1	2/2014	Belsky et al.	2015/0083781	A1	3/2015	Giordano et al.
2014/0041191	A1*	2/2014	Knodel ..... A61B 17/07207 29/428	2015/0087952	A1	3/2015	Albert et al.
				2015/0088127	A1	3/2015	Craig et al.
				2015/0088547	A1	3/2015	Balram et al.
2014/0048580	A1	2/2014	Merchant et al.	2015/0090760	A1	4/2015	Giordano et al.
2014/0078715	A1	3/2014	Pickard et al.	2015/0090762	A1	4/2015	Giordano et al.
2014/0081176	A1	3/2014	Hassan	2015/0127021	A1	5/2015	Harris et al.
2014/0094681	A1	4/2014	Valentine et al.	2015/0134077	A1	5/2015	Shelton, IV et al.
2014/0100558	A1	4/2014	Schmitz et al.	2015/0150620	A1	6/2015	Miyamoto et al.
2014/0107697	A1	4/2014	Patani et al.	2015/0173749	A1	6/2015	Shelton, IV et al.
2014/0115229	A1	4/2014	Kothamasu et al.	2015/0173756	A1	6/2015	Baxter, III et al.
2014/0131418	A1	5/2014	Kostrzewski	2015/0173789	A1	6/2015	Baxter, III et al.
2014/0131419	A1	5/2014	Bettuchi	2015/0196295	A1	7/2015	Shelton, IV et al.
2014/0135832	A1	5/2014	Park et al.				



# US D975,851 S

2015/0196296	A1	7/2015	Swayze et al.	2016/0262921	A1	9/2016	Balbierz et al.
2015/0196299	A1	7/2015	Swayze et al.	2016/0270781	A1	9/2016	Scirica
2015/0196347	A1*	7/2015	Yates ..... A61B 17/320016 606/48	2016/0287265	A1	10/2016	Macdonald et al.
2015/0201918	A1	7/2015	Kumar et al.	2016/0287279	A1	10/2016	Bovay et al.
2015/0201932	A1	7/2015	Swayze et al.	2016/0302820	A1	10/2016	Hibner et al.
2015/0201936	A1	7/2015	Swayze et al.	2016/0310143	A1	10/2016	Bettuchi
2015/0201937	A1	7/2015	Swayze et al.	2016/0314716	A1	10/2016	Grubbs
2015/0201938	A1	7/2015	Swayze et al.	2016/0314717	A1	10/2016	Grubbs
2015/0201939	A1	7/2015	Swayze et al.	2016/0345972	A1	12/2016	Beardsley et al.
2015/0201940	A1	7/2015	Swayze et al.	2016/0367122	A1	12/2016	Ichimura et al.
2015/0201941	A1	7/2015	Swayze et al.	2016/0374669	A1	12/2016	Overmyer et al.
2015/0209045	A1	7/2015	Hodgkinson et al.	2016/0374716	A1	12/2016	Kessler
2015/0222212	A1	8/2015	Iwata	2017/0007234	A1*	1/2017	Chin ..... A61F 2/0063
2015/0223868	A1	8/2015	Brandt et al.	2017/0007244	A1	1/2017	Shelton, IV et al.
2015/0230697	A1	8/2015	Phee et al.	2017/0007245	A1	1/2017	Shelton, IV et al.
2015/0230794	A1	8/2015	Wellman et al.	2017/0007347	A1	1/2017	Jaworek et al.
2015/0230861	A1	8/2015	Woloszko et al.	2017/0055819	A1	3/2017	Hansen et al.
2015/0231409	A1	8/2015	Racenet et al.	2017/0066054	A1	3/2017	Birky
2015/0238118	A1	8/2015	Legassey et al.	2017/0079642	A1	3/2017	Overmyer et al.
2015/0272557	A1	10/2015	Overmyer et al.	2017/0086829	A1	3/2017	Vendely et al.
2015/0272571	A1	10/2015	Leimbach et al.	2017/0086830	A1	3/2017	Yates et al.
2015/0272580	A1	10/2015	Leimbach et al.	2017/0086842	A1	3/2017	Shelton, IV et al.
2015/0272582	A1	10/2015	Leimbach et al.	2017/0086930	A1	3/2017	Thompson et al.
2015/0297200	A1	10/2015	Fitzsimmons et al.	2017/0086936	A1*	3/2017	Shelton, IV ..... A61B 17/072
2015/0297222	A1	10/2015	Huitema et al.	2017/0095922	A1	4/2017	Licht et al.
2015/0297223	A1	10/2015	Huitema et al.	2017/0105727	A1	4/2017	Scheib et al.
2015/0297225	A1	10/2015	Huitema et al.	2017/0105733	A1	4/2017	Scheib et al.
2015/0297228	A1	10/2015	Huitema et al.	2017/0105786	A1	4/2017	Scheib et al.
2015/0297233	A1	10/2015	Huitema et al.	2017/0106302	A1	4/2017	Cummings et al.
2015/0297824	A1	10/2015	Cabiri et al.	2017/0135711	A1	5/2017	Overmyer et al.
2015/0303417	A1	10/2015	Koeder et al.	2017/0135717	A1	5/2017	Boudreaux et al.
2015/0313594	A1	11/2015	Shelton, IV et al.	2017/0135747	A1	5/2017	Broderick et al.
2015/0324317	A1	11/2015	Collins et al.	2017/0172382	A1	6/2017	Nir et al.
2015/0352699	A1	12/2015	Sakai et al.	2017/0172549	A1	6/2017	Smaby et al.
2015/0366585	A1	12/2015	Lemay et al.	2017/0172662	A1	6/2017	Panescu et al.
2015/0367497	A1	12/2015	Ito et al.	2017/0182195	A1	6/2017	Wagner
2015/0372265	A1	12/2015	Morisaku et al.	2017/0182211	A1	6/2017	Raxworthy et al.
2015/0374372	A1	12/2015	Zergiebel et al.	2017/0196558	A1	7/2017	Morgan et al.
2015/0374378	A1	12/2015	Giordano et al.	2017/0196649	A1	7/2017	Yates et al.
2016/0000437	A1	1/2016	Giordano et al.	2017/0202607	A1	7/2017	Shelton, IV et al.
2016/0000452	A1	1/2016	Yates et al.	2017/0202770	A1	7/2017	Friedrich et al.
2016/0000453	A1	1/2016	Yates et al.	2017/0209145	A1	7/2017	Swayze et al.
2016/0029998	A1	2/2016	Brister et al.	2017/0224332	A1	8/2017	Hunter et al.
2016/0030042	A1	2/2016	Heinrich et al.	2017/0224334	A1	8/2017	Worthington et al.
2016/0030043	A1	2/2016	Fanelli et al.	2017/0231627	A1	8/2017	Shelton, IV et al.
2016/0030076	A1	2/2016	Faller et al.	2017/0231628	A1	8/2017	Shelton, IV et al.
2016/0051316	A1	2/2016	Boudreaux	2017/0231629	A1	8/2017	Stopek et al.
2016/0066913	A1	3/2016	Swayze et al.	2017/0238962	A1	8/2017	Hansen et al.
2016/0069449	A1	3/2016	Kanai et al.	2017/0242455	A1	8/2017	Dickens
2016/0074035	A1	3/2016	Whitman et al.	2017/0245949	A1	8/2017	Randle
2016/0074040	A1	3/2016	Widenhouse et al.	2017/0249431	A1	8/2017	Shelton, IV et al.
2016/0082161	A1	3/2016	Zilberman et al.	2017/0255799	A1	9/2017	Zhao et al.
2016/0106426	A1*	4/2016	Shelton, IV ..... A61B 17/0684 227/176.1	2017/0262110	A1	9/2017	Polishchuk et al.
2016/0135835	A1	5/2016	Onuma	2017/0265774	A1	9/2017	Johnson et al.
2016/0135895	A1	5/2016	Faasse et al.	2017/0281186	A1	10/2017	Shelton, IV et al.
2016/0139666	A1	5/2016	Rubin et al.	2017/0281189	A1	10/2017	Nalagatla et al.
2016/0174969	A1	6/2016	Kerr et al.	2017/0296169	A1	10/2017	Yates et al.
2016/0174983	A1	6/2016	Shelton, IV et al.	2017/0296173	A1	10/2017	Shelton, IV et al.
2016/0183939	A1	6/2016	Shelton, IV et al.	2017/0296185	A1	10/2017	Swensgard et al.
2016/0183943	A1	6/2016	Shelton, IV	2017/0296213	A1	10/2017	Swensgard et al.
2016/0183944	A1	6/2016	Swensgard et al.	2017/0312042	A1	11/2017	Giordano et al.
2016/0192927	A1	7/2016	Kostrzewski	2017/0319047	A1	11/2017	Poulsen et al.
2016/0192960	A1	7/2016	Bueno et al.	2017/0319201	A1	11/2017	Morgan et al.
2016/0199063	A1	7/2016	Mandakolathur Vasudevan et al.	2017/0333034	A1	11/2017	Morgan et al.
2016/0199956	A1	7/2016	Shelton, IV et al.	2017/0333035	A1	11/2017	Morgan et al.
2016/0220150	A1	8/2016	Sharonov	2017/0348010	A1	12/2017	Chiang
2016/0235494	A1	8/2016	Shelton, IV et al.	2017/0348043	A1	12/2017	Wang et al.
2016/0242783	A1	8/2016	Shelton, IV et al.	2017/0354413	A1	12/2017	Chen et al.
2016/0242855	A1	8/2016	Fichtinger et al.	2017/0358052	A1	12/2017	Yuan
2016/0249910	A1	9/2016	Shelton, IV et al.	2017/0360441	A1	12/2017	Sgroi
2016/0249922	A1	9/2016	Morgan et al.	2018/0008356	A1	1/2018	Giordano et al.
2016/0249929	A1	9/2016	Cappola et al.	2018/0049738	A1	2/2018	Meloul et al.
2016/0256159	A1	9/2016	Pinjala et al.	2018/0049794	A1	2/2018	Swayze et al.
2016/0256184	A1	9/2016	Shelton, IV et al.	2018/0051780	A1	2/2018	Shelton, IV et al.
2016/0256221	A1	9/2016	Smith	2018/0055501	A1	3/2018	Zemlok et al.
2016/0256229	A1	9/2016	Morgan et al.	2018/0085116	A1	3/2018	Yates et al.
2016/0262745	A1	9/2016	Morgan et al.	2018/0085117	A1	3/2018	Shelton, IV et al.
				2018/0085120	A1	3/2018	Viola
				2018/0092710	A1	4/2018	Bosisio et al.



# US D975,851 S

2018/0110523 A1	4/2018	Shelton, IV	2019/0000474 A1	1/2019	Shelton, IV et al.
2018/0114591 A1	4/2018	Pribanic et al.	2019/0000475 A1	1/2019	Shelton, IV et al.
2018/0116658 A1	5/2018	Aronhalt, IV et al.	2019/0000476 A1	1/2019	Shelton, IV et al.
2018/0116662 A1	5/2018	Shelton, IV et al.	2019/0000477 A1	1/2019	Shelton, IV et al.
2018/0125481 A1	5/2018	Yates et al.	2019/0000478 A1	1/2019	Messerly et al.
2018/0125487 A1	5/2018	Beardsley	2019/0000481 A1	1/2019	Harris et al.
2018/0125488 A1	5/2018	Morgan et al.	2019/0000536 A1	1/2019	Yates et al.
2018/0125590 A1	5/2018	Giordano et al.	2019/0008515 A1	1/2019	Beardsley et al.
2018/0125594 A1	5/2018	Beardsley	2019/0015102 A1	1/2019	Baber et al.
2018/0126504 A1	5/2018	Shelton, IV et al.	2019/0015165 A1	1/2019	Giordano et al.
2018/0132845 A1	5/2018	Schmid et al.	2019/0021733 A1	1/2019	Burbank
2018/0132849 A1	5/2018	Miller et al.	2019/0029682 A1	1/2019	Huitema et al.
2018/0132850 A1	5/2018	Leimbach et al.	2019/0029701 A1	1/2019	Shelton, IV et al.
2018/0132926 A1	5/2018	Asher et al.	2019/0033955 A1	1/2019	Leimbach et al.
2018/0132952 A1	5/2018	Spivey et al.	2019/0038279 A1	2/2019	Shelton, IV et al.
2018/0133521 A1	5/2018	Frushour et al.	2019/0038281 A1	2/2019	Shelton, IV et al.
2018/0140299 A1	5/2018	Weaner et al.	2019/0038282 A1	2/2019	Shelton, IV et al.
2018/0146960 A1	5/2018	Shelton, IV et al.	2019/0038283 A1	2/2019	Shelton, IV et al.
2018/0153542 A1	6/2018	Shelton, IV et al.	2019/0038285 A1*	2/2019	Mozdzierz ..... A61B 17/07207
2018/0153634 A1	6/2018	Zemlok et al.	2019/0059986 A1	2/2019	Shelton, IV et al.
2018/0161034 A1	6/2018	Scheib et al.	2019/0076143 A1	3/2019	Smith
2018/0168572 A1	6/2018	Burbank	2019/0090871 A1	3/2019	Shelton, IV et al.
2018/0168574 A1*	6/2018	Robinson ..... A61B 17/07207	2019/0091183 A1	3/2019	Tomat et al.
2018/0168575 A1	6/2018	Simms et al.	2019/0099179 A1	4/2019	Leimbach et al.
2018/0168577 A1	6/2018	Aronhalt et al.	2019/0099181 A1	4/2019	Shelton, IV et al.
2018/0168578 A1	6/2018	Aronhalt et al.	2019/0099229 A1	4/2019	Spivey et al.
2018/0168579 A1	6/2018	Aronhalt et al.	2019/0104919 A1	4/2019	Shelton, IV et al.
2018/0168590 A1	6/2018	Overmyer et al.	2019/0105035 A1	4/2019	Shelton, IV et al.
2018/0168592 A1	6/2018	Overmyer et al.	2019/0105036 A1	4/2019	Morgan et al.
2018/0168598 A1	6/2018	Shelton, IV et al.	2019/0105037 A1	4/2019	Morgan et al.
2018/0168608 A1	6/2018	Shelton, IV et al.	2019/0105039 A1	4/2019	Morgan et al.
2018/0168609 A1	6/2018	Fanelli et al.	2019/0105043 A1	4/2019	Jaworek et al.
2018/0168610 A1	6/2018	Shelton, IV et al.	2019/0105044 A1	4/2019	Shelton, IV et al.
2018/0168614 A1	6/2018	Shelton, IV et al.	2019/0110779 A1	4/2019	Gardner et al.
2018/0168615 A1	6/2018	Shelton, IV et al.	2019/0110791 A1	4/2019	Shelton, IV et al.
2018/0168618 A1	6/2018	Scott et al.	2019/0110792 A1	4/2019	Shelton, IV et al.
2018/0168619 A1	6/2018	Scott et al.	2019/0117224 A1	4/2019	Setser et al.
2018/0168623 A1	6/2018	Simms et al.	2019/0125320 A1	5/2019	Shelton, IV et al.
2018/0168625 A1	6/2018	Posada et al.	2019/0125321 A1	5/2019	Shelton, IV et al.
2018/0168633 A1	6/2018	Shelton, IV et al.	2019/0125335 A1	5/2019	Shelton, IV et al.
2018/0168647 A1	6/2018	Shelton, IV et al.	2019/0125336 A1	5/2019	Deck et al.
2018/0168648 A1	6/2018	Shelton, IV et al.	2019/0125338 A1	5/2019	Shelton, IV et al.
2018/0168650 A1	6/2018	Shelton, IV et al.	2019/0125342 A1	5/2019	Beardsley et al.
2018/0168754 A1	6/2018	Overmyer	2019/0125344 A1	5/2019	DiNardo et al.
2018/0228490 A1	8/2018	Richard et al.	2019/0125357 A1	5/2019	Shelton, IV et al.
2018/0231475 A1	8/2018	Brown et al.	2019/0125358 A1	5/2019	Shelton, IV et al.
2018/0235609 A1	8/2018	Harris et al.	2019/0125359 A1	5/2019	Shelton, IV et al.
2018/0235626 A1	8/2018	Shelton, IV et al.	2019/0125361 A1	5/2019	Shelton, IV et al.
2018/0236181 A1	8/2018	Marlin et al.	2019/0125377 A1	5/2019	Shelton, IV
2018/0242970 A1	8/2018	Mozdzierz	2019/0125378 A1	5/2019	Shelton, IV et al.
2018/0271520 A1	9/2018	Shelton, IV et al.	2019/0125387 A1	5/2019	Parihar et al.
2018/0271604 A1	9/2018	Grout et al.	2019/0125388 A1	5/2019	Shelton, IV et al.
2018/0273597 A1	9/2018	Stimson	2019/0125430 A1	5/2019	Shelton, IV et al.
2018/0289369 A1	10/2018	Shelton, IV et al.	2019/0125431 A1	5/2019	Shelton, IV et al.
2018/0289371 A1	10/2018	Wang et al.	2019/0125432 A1	5/2019	Shelton, IV et al.
2018/0296216 A1	10/2018	Shelton, IV et al.	2019/0125454 A1	5/2019	Stokes et al.
2018/0296290 A1	10/2018	Namiki et al.	2019/0125455 A1	5/2019	Shelton, IV et al.
2018/0317905 A1	11/2018	Olson et al.	2019/0125456 A1	5/2019	Shelton, IV et al.
2018/0333155 A1	11/2018	Hall et al.	2019/0125457 A1	5/2019	Parihar et al.
2018/0333169 A1	11/2018	Leimbach et al.	2019/0125458 A1	5/2019	Shelton, IV et al.
2018/0353176 A1	12/2018	Shelton, IV et al.	2019/0125459 A1	5/2019	Shelton, IV et al.
2018/0353177 A1	12/2018	Shelton, IV et al.	2019/0125476 A1	5/2019	Shelton, IV et al.
2018/0353179 A1	12/2018	Shelton, IV et al.	2019/0133422 A1	5/2019	Nakamura
2018/0360446 A1	12/2018	Shelton, IV et al.	2019/0138770 A1	5/2019	Compaijen et al.
2018/0360456 A1	12/2018	Shelton, IV et al.	2019/0142421 A1	5/2019	Shelton, IV
2018/0360472 A1	12/2018	Harris et al.	2019/0150925 A1	5/2019	Marczyk et al.
2018/0360473 A1	12/2018	Shelton, IV et al.	2019/0151029 A1	5/2019	Robinson
2018/0368066 A1	12/2018	Howell et al.	2019/0159778 A1	5/2019	Shelton, IV et al.
2018/0368833 A1	12/2018	Shelton, IV et al.	2019/0175847 A1	6/2019	Pocreva, III et al.
2018/0368839 A1	12/2018	Shelton, IV et al.	2019/0183499 A1	6/2019	Shelton, IV et al.
2018/0368843 A1	12/2018	Shelton, IV et al.	2019/0183502 A1	6/2019	Shelton, IV et al.
2018/0368844 A1	12/2018	Bakos et al.	2019/0192138 A1	6/2019	Shelton, IV et al.
2018/0372806 A1	12/2018	Laughery et al.	2019/0192141 A1	6/2019	Shelton, IV et al.
2019/0000459 A1	1/2019	Shelton, IV et al.	2019/0192146 A1	6/2019	Widenhouse et al.
2019/0000461 A1	1/2019	Shelton, IV et al.	2019/0192147 A1	6/2019	Shelton, IV et al.
2019/0000462 A1	1/2019	Shelton, IV et al.	2019/0192148 A1	6/2019	Shelton, IV et al.
2019/0000470 A1	1/2019	Yates et al.	2019/0192150 A1	6/2019	Widenhouse et al.
2019/0000471 A1	1/2019	Shelton, IV et al.	2019/0192151 A1	6/2019	Shelton, IV et al.
2019/0000472 A1	1/2019	Shelton, IV et al.	2019/0192152 A1	6/2019	Morgan et al.



# US D975,851 S

2019/0192153	A1	6/2019	Shelton, IV et al.	2019/0290264	A1	9/2019	Morgan et al.
2019/0192154	A1	6/2019	Shelton, IV et al.	2019/0290266	A1	9/2019	Scheib et al.
2019/0192155	A1	6/2019	Shelton, IV et al.	2019/0290267	A1	9/2019	Baxter, III et al.
2019/0192156	A1	6/2019	Simms et al.	2019/0290297	A1	9/2019	Haider et al.
2019/0192157	A1	6/2019	Scott et al.	2019/0298340	A1	10/2019	Shelton, IV et al.
2019/0192158	A1	6/2019	Scott et al.	2019/0298341	A1	10/2019	Shelton, IV et al.
2019/0192235	A1	6/2019	Harris et al.	2019/0298342	A1	10/2019	Shelton, IV et al.
2019/0192236	A1	6/2019	Shelton, IV et al.	2019/0298343	A1	10/2019	Shelton, IV et al.
2019/0200844	A1	7/2019	Shelton, IV et al.	2019/0298346	A1	10/2019	Shelton, IV et al.
2019/0200863	A1	7/2019	Shelton, IV et al.	2019/0298347	A1	10/2019	Shelton, IV et al.
2019/0200905	A1	7/2019	Shelton, IV et al.	2019/0298350	A1	10/2019	Shelton, IV et al.
2019/0200906	A1	7/2019	Shelton, IV et al.	2019/0298352	A1	10/2019	Shelton, IV et al.
2019/0200977	A1	7/2019	Shelton, IV et al.	2019/0298353	A1	10/2019	Shelton, IV et al.
2019/0200981	A1	7/2019	Harris et al.	2019/0298356	A1	10/2019	Shelton, IV et al.
2019/0200989	A1	7/2019	Burbank et al.	2019/0298357	A1	10/2019	Shelton, IV et al.
2019/0200998	A1	7/2019	Shelton, IV et al.	2019/0298360	A1	10/2019	Shelton, IV et al.
2019/0201020	A1	7/2019	Shelton, IV et al.	2019/0298361	A1	10/2019	Shelton, IV et al.
2019/0201023	A1	7/2019	Shelton, IV et al.	2019/0298362	A1	10/2019	Shelton, IV et al.
2019/0201024	A1	7/2019	Shelton, IV et al.	2019/0307452	A1	10/2019	Shelton, IV et al.
2019/0201025	A1	7/2019	Shelton, IV et al.	2019/0307453	A1	10/2019	Shelton, IV et al.
2019/0201026	A1	7/2019	Shelton, IV et al.	2019/0307454	A1	10/2019	Shelton, IV et al.
2019/0201027	A1	7/2019	Shelton, IV et al.	2019/0307456	A1	10/2019	Shelton, IV et al.
2019/0201028	A1	7/2019	Shelton, IV et al.	2019/0307477	A1	10/2019	Shelton, IV et al.
2019/0201029	A1	7/2019	Shelton, IV et al.	2019/0307478	A1	10/2019	Shelton, IV et al.
2019/0201030	A1	7/2019	Shelton, IV et al.	2019/0307479	A1	10/2019	Shelton, IV et al.
2019/0201033	A1	7/2019	Yates et al.	2019/0314015	A1	10/2019	Shelton, IV et al.
2019/0201034	A1	7/2019	Shelton, IV et al.	2019/0314016	A1	10/2019	Huitema et al.
2019/0201045	A1	7/2019	Yates et al.	2019/0314017	A1	10/2019	Huitema et al.
2019/0201046	A1	7/2019	Shelton, IV et al.	2019/0314018	A1	10/2019	Huitema et al.
2019/0201047	A1	7/2019	Yates et al.	2019/0321040	A1	10/2019	Shelton, IV
2019/0201104	A1	7/2019	Shelton, IV et al.	2019/0321062	A1	10/2019	Williams
2019/0201112	A1	7/2019	Wiener et al.	2019/0328387	A1	10/2019	Overmyer et al.
2019/0201113	A1	7/2019	Shelton, IV et al.	2019/0328390	A1	10/2019	Harris et al.
2019/0201115	A1	7/2019	Shelton, IV et al.	2019/0343515	A1	11/2019	Morgan et al.
2019/0201116	A1	7/2019	Shelton, IV et al.	2019/0343525	A1	11/2019	Shelton, IV et al.
2019/0201118	A1	7/2019	Shelton, IV et al.	2019/0350581	A1	11/2019	Baxter, III et al.
2019/0201120	A1	7/2019	Shelton, IV et al.	2019/0350582	A1	11/2019	Shelton, IV et al.
2019/0201135	A1	7/2019	Shelton, IV et al.	2019/0357909	A1	11/2019	Huitema et al.
2019/0201136	A1	7/2019	Shelton, IV et al.	2019/0365384	A1	12/2019	Baxter, III et al.
2019/0201137	A1	7/2019	Shelton, IV et al.	2019/0374224	A1	12/2019	Huitema et al.
2019/0201138	A1	7/2019	Yates et al.	2020/0000469	A1	1/2020	Shelton, IV et al.
2019/0201139	A1	7/2019	Shelton, IV et al.	2020/0000471	A1	1/2020	Shelton, IV et al.
2019/0201140	A1	7/2019	Yates et al.	2020/0000531	A1	1/2020	Giordano et al.
2019/0201141	A1	7/2019	Shelton, IV et al.	2020/0008800	A1	1/2020	Shelton, IV et al.
2019/0201142	A1	7/2019	Shelton, IV et al.	2020/0008802	A1	1/2020	Aronhalt et al.
2019/0201594	A1	7/2019	Shelton, IV et al.	2020/0008809	A1	1/2020	Shelton, IV et al.
2019/0205001	A1	7/2019	Messerly et al.	2020/0015819	A1	1/2020	Shelton, IV et al.
2019/0205567	A1	7/2019	Shelton, IV et al.	2020/0015915	A1	1/2020	Swayze et al.
2019/0206003	A1	7/2019	Harris et al.	2020/0022702	A1	1/2020	Shelton, IV et al.
2019/0206551	A1	7/2019	Yates et al.	2020/0037939	A1	2/2020	Castagna et al.
2019/0206555	A1	7/2019	Morgan et al.	2020/0038016	A1	2/2020	Shelton, IV et al.
2019/0206561	A1	7/2019	Shelton, IV et al.	2020/0038018	A1	2/2020	Shelton, IV et al.
2019/0206562	A1	7/2019	Shelton, IV et al.	2020/0038020	A1	2/2020	Yates et al.
2019/0206563	A1	7/2019	Shelton, IV et al.	2020/0046348	A1	2/2020	Shelton, IV et al.
2019/0206564	A1	7/2019	Shelton, IV et al.	2020/0054320	A1	2/2020	Harris et al.
2019/0206565	A1	7/2019	Shelton, IV	2020/0054321	A1	2/2020	Harris et al.
2019/0206569	A1	7/2019	Shelton, IV et al.	2020/0054323	A1	2/2020	Harris et al.
2019/0208641	A1	7/2019	Yates et al.	2020/0054324	A1	2/2020	Shelton, IV et al.
2019/0209171	A1	7/2019	Shelton, IV et al.	2020/0054329	A1	2/2020	Shelton, IV et al.
2019/0209172	A1	7/2019	Shelton, IV et al.	2020/0054330	A1	2/2020	Harris et al.
2019/0209247	A1	7/2019	Giordano et al.	2020/0054332	A1	2/2020	Shelton, IV et al.
2019/0209248	A1	7/2019	Giordano et al.	2020/0054333	A1	2/2020	Shelton, IV et al.
2019/0209249	A1	7/2019	Giordano et al.	2020/0054334	A1	2/2020	Shelton, IV et al.
2019/0209250	A1	7/2019	Giordano et al.	2020/0054355	A1	2/2020	Laurent et al.
2019/0216558	A1	7/2019	Giordano et al.	2020/0060523	A1	2/2020	Matsuda et al.
2019/0261982	A1	8/2019	Holsten	2020/0060680	A1	2/2020	Shelton, IV et al.
2019/0261983	A1	8/2019	Granger et al.	2020/0060681	A1	2/2020	Shelton, IV et al.
2019/0261984	A1	8/2019	Nelson et al.	2020/0060713	A1	2/2020	Leimbach et al.
2019/0261987	A1	8/2019	Viola et al.	2020/0077994	A1	3/2020	Shelton, IV et al.
2019/0269400	A1	9/2019	Mandakolathur Vasudevan et al.	2020/0078015	A1	3/2020	Miller et al.
2019/0269402	A1	9/2019	Murray et al.	2020/0078016	A1	3/2020	Swayze et al.
2019/0269407	A1	9/2019	Swensgard et al.	2020/0085427	A1	3/2020	Giordano et al.
2019/0269428	A1	9/2019	Allen et al.	2020/0085431	A1	3/2020	Swayze et al.
2019/0274677	A1	9/2019	Shelton, IV	2020/0085435	A1	3/2020	Shelton, IV et al.
2019/0274678	A1	9/2019	Shelton, IV	2020/0085436	A1	3/2020	Beckman et al.
2019/0274679	A1	9/2019	Shelton, IV	2020/0085518	A1	3/2020	Giordano et al.
2019/0274685	A1	9/2019	Olson et al.	2020/0093484	A1	3/2020	Shelton, IV et al.
2019/0282233	A1	9/2019	Burbank et al.	2020/0093485	A1	3/2020	Shelton, IV et al.
2019/0290263	A1	9/2019	Morgan et al.	2020/0093506	A1	3/2020	Leimbach et al.



# US D975,851 S

2020/0093550	A1	3/2020	Spivey et al.	2020/0337791	A1	10/2020	Shelton, IV et al.
2020/0100699	A1	4/2020	Shelton, IV et al.	2020/0345346	A1	11/2020	Shelton, IV et al.
2020/0100783	A1	4/2020	Yates et al.	2020/0345349	A1	11/2020	Kimball et al.
2020/0100787	A1	4/2020	Shelton, IV et al.	2020/0345352	A1	11/2020	Shelton, IV et al.
2020/0107829	A1	4/2020	Shelton, IV et al.	2020/0345353	A1	11/2020	Leimbach et al.
2020/0138434	A1	5/2020	Miller et al.	2020/0345354	A1	11/2020	Leimbach et al.
2020/0138435	A1	5/2020	Shelton, IV et al.	2020/0345355	A1	11/2020	Baxter, III et al.
2020/0138436	A1	5/2020	Yates et al.	2020/0345356	A1	11/2020	Leimbach et al.
2020/0138437	A1	5/2020	Vendely et al.	2020/0345357	A1	11/2020	Leimbach et al.
2020/0138534	A1	5/2020	Garcia Kilroy et al.	2020/0345358	A1	11/2020	Jenkins
2020/0146676	A1	5/2020	Yates et al.	2020/0345359	A1	11/2020	Baxter, III et al.
2020/0146678	A1	5/2020	Leimbach et al.	2020/0345360	A1	11/2020	Leimbach et al.
2020/0146741	A1	5/2020	Long et al.	2020/0345435	A1	11/2020	Traina
2020/0155151	A1	5/2020	Overmyer et al.	2020/0345446	A1	11/2020	Kimball et al.
2020/0155155	A1	5/2020	Shelton, IV et al.	2020/0352562	A1	11/2020	Timm et al.
2020/0178958	A1	6/2020	Overmyer et al.	2020/0367885	A1	11/2020	Yates et al.
2020/0187943	A1	6/2020	Shelton, IV et al.	2020/0367886	A1	11/2020	Shelton, IV et al.
2020/0197027	A1	6/2020	Hershberger et al.	2020/0375585	A1	12/2020	Swayze et al.
2020/0205810	A1	7/2020	Posey et al.	2020/0375592	A1	12/2020	Hall et al.
2020/0205811	A1	7/2020	Posey et al.	2020/0375593	A1	12/2020	Hunter et al.
2020/0214706	A1	7/2020	Vendely et al.	2020/0375597	A1	12/2020	Shelton, IV et al.
2020/0214731	A1	7/2020	Shelton, IV et al.	2020/0390444	A1	12/2020	Harris et al.
2020/0222047	A1	7/2020	Shelton, IV et al.	2020/0397433	A1	12/2020	Lytte, IV et al.
2020/0229812	A1	7/2020	Parihar et al.	2020/0397434	A1	12/2020	Overmyer et al.
2020/0229814	A1	7/2020	Amariglio et al.	2020/0405290	A1	12/2020	Shelton, IV et al.
2020/0229816	A1	7/2020	Bakos et al.	2020/0405291	A1*	12/2020	Shelton, IV ..... A61B 50/30
2020/0237371	A1	7/2020	Huitema et al.	2020/0405292	A1	12/2020	Shelton, IV et al.
2020/0246001	A1	8/2020	Ming et al.	2020/0405293	A1	12/2020	Shelton, IV et al.
2020/0253605	A1	8/2020	Swayze et al.	2020/0405294	A1	12/2020	Shelton, IV
2020/0261075	A1	8/2020	Boudreaux et al.	2020/0405295	A1	12/2020	Shelton, IV et al.
2020/0261076	A1	8/2020	Boudreaux et al.	2020/0405296	A1	12/2020	Shelton, IV et al.
2020/0261077	A1	8/2020	Shelton, IV et al.	2020/0405297	A1	12/2020	Shelton, IV et al.
2020/0261078	A1	8/2020	Bakos et al.	2020/0405301	A1	12/2020	Shelton, IV et al.
2020/0261080	A1	8/2020	Bakos et al.	2020/0405302	A1	12/2020	Shelton, IV et al.
2020/0261081	A1	8/2020	Boudreaux et al.	2020/0405303	A1	12/2020	Shelton, IV
2020/0261082	A1	8/2020	Boudreaux et al.	2020/0405304	A1	12/2020	Mozdzierz et al.
2020/0261083	A1	8/2020	Bakos et al.	2020/0405305	A1	12/2020	Shelton, IV et al.
2020/0261084	A1	8/2020	Bakos et al.	2020/0405306	A1	12/2020	Shelton, IV et al.
2020/0261085	A1	8/2020	Boudreaux et al.	2020/0405307	A1	12/2020	Shelton, IV et al.
2020/0261086	A1	8/2020	Zeiner et al.	2020/0405308	A1	12/2020	Shelton, IV
2020/0261087	A1	8/2020	Timm et al.	2020/0405309	A1	12/2020	Shelton, IV et al.
2020/0261088	A1	8/2020	Harris et al.	2020/0405311	A1	12/2020	Shelton, IV et al.
2020/0261089	A1	8/2020	Shelton, IV et al.	2020/0405312	A1	12/2020	Shelton, IV et al.
2020/0261106	A1	8/2020	Hess et al.	2020/0405313	A1	12/2020	Shelton, IV
2020/0268377	A1	8/2020	Schmid et al.	2020/0405314	A1	12/2020	Shelton, IV et al.
2020/0268394	A1	8/2020	Parfett et al.	2020/0405316	A1	12/2020	Shelton, IV et al.
2020/0275926	A1	9/2020	Shelton, IV et al.	2020/0405341	A1	12/2020	Hess et al.
2020/0275927	A1	9/2020	Shelton, IV et al.	2020/0405409	A1	12/2020	Shelton, IV et al.
2020/0275928	A1	9/2020	Shelton, IV et al.	2020/0405410	A1	12/2020	Shelton, IV
2020/0275930	A1	9/2020	Harris et al.	2020/0405416	A1	12/2020	Shelton, IV et al.
2020/0280219	A1	9/2020	Laughery et al.	2020/0405422	A1	12/2020	Shelton, IV et al.
2020/0281585	A1	9/2020	Timm et al.	2020/0405436	A1	12/2020	Shelton, IV et al.
2020/0281587	A1	9/2020	Schmid et al.	2020/0405437	A1	12/2020	Shelton, IV et al.
2020/0281590	A1	9/2020	Shelton, IV et al.	2020/0405438	A1	12/2020	Shelton, IV et al.
2020/0289112	A1	9/2020	Whitfield et al.	2020/0405439	A1	12/2020	Shelton, IV et al.
2020/0297340	A1	9/2020	Hess et al.	2020/0405440	A1	12/2020	Shelton, IV et al.
2020/0297341	A1	9/2020	Yates et al.	2020/0405441	A1	12/2020	Shelton, IV et al.
2020/0297346	A1	9/2020	Shelton, IV et al.	2020/0410177	A1	12/2020	Shelton, IV
2020/0297438	A1	9/2020	Shelton, IV et al.	2020/0410180	A1	12/2020	Shelton, IV et al.
2020/0305862	A1	10/2020	Yates et al.	2021/0000466	A1	1/2021	Leimbach et al.
2020/0305863	A1	10/2020	Yates et al.	2021/0000467	A1	1/2021	Shelton, IV et al.
2020/0305864	A1	10/2020	Yates et al.	2021/0000470	A1	1/2021	Leimbach et al.
2020/0305868	A1	10/2020	Shelton, IV	2021/0015480	A1	1/2021	Shelton, IV et al.
2020/0305870	A1	10/2020	Shelton, IV	2021/0022741	A1	1/2021	Baxter, III et al.
2020/0305871	A1	10/2020	Shelton, IV et al.	2021/0030416	A1	2/2021	Shelton, IV et al.
2020/0305872	A1	10/2020	Weidner et al.	2021/0045742	A1	2/2021	Shelton, IV et al.
2020/0305874	A1	10/2020	Huitema et al.	2021/0052271	A1	2/2021	Harris et al.
2020/0315612	A1	10/2020	Shelton, IV et al.	2021/0059661	A1	3/2021	Schmid et al.
2020/0315625	A1	10/2020	Hall et al.	2021/0059662	A1	3/2021	Shelton, IV
2020/0315983	A1	10/2020	Widenhouse et al.	2021/0059664	A1	3/2021	Hensel et al.
2020/0323526	A1	10/2020	Huang et al.	2021/0059666	A1	3/2021	Schmid et al.
2020/0330092	A1	10/2020	Shelton, IV et al.	2021/0059669	A1	3/2021	Yates et al.
2020/0330093	A1	10/2020	Shelton, IV et al.	2021/0059670	A1	3/2021	Overmyer et al.
2020/0330094	A1	10/2020	Baxter, III et al.	2021/0059671	A1	3/2021	Shelton, IV et al.
2020/0330096	A1	10/2020	Shelton, IV et al.	2021/0059672	A1	3/2021	Giordano et al.
2020/0330181	A1	10/2020	Junger et al.	2021/0059673	A1	3/2021	Shelton, IV et al.
2020/0337693	A1	10/2020	Shelton, IV et al.	2021/0068817	A1	3/2021	Shelton, IV et al.
2020/0337702	A1	10/2020	Shelton, IV et al.	2021/0068818	A1	3/2021	Overmyer et al.
2020/0337703	A1	10/2020	Shelton, IV et al.	2021/0068820	A1	3/2021	Parihar et al.



# US D975,851 S

2021/0068829	A1	3/2021	Miller et al.	2021/0290232	A1	9/2021	Harris et al.
2021/0068830	A1	3/2021	Baber et al.	2021/0290233	A1	9/2021	Shelton, IV et al.
2021/0068831	A1	3/2021	Baber et al.	2021/0290236	A1	9/2021	Moore et al.
2021/0068832	A1	3/2021	Yates et al.	2021/0290322	A1	9/2021	Traina
2021/0068835	A1	3/2021	Shelton, IV et al.	2021/0298745	A1	9/2021	Leimbach et al.
2021/0077092	A1	3/2021	Parihar et al.	2021/0298746	A1	9/2021	Leimbach et al.
2021/0077099	A1	3/2021	Shelton, IV et al.	2021/0307748	A1	10/2021	Harris et al.
2021/0077100	A1	3/2021	Shelton, IV et al.	2021/0307754	A1	10/2021	Shelton, IV et al.
2021/0077109	A1	3/2021	Harris et al.	2021/0315566	A1	10/2021	Yates et al.
2021/0085313	A1	3/2021	Morgan et al.	2021/0315570	A1	10/2021	Shelton, IV
2021/0085314	A1	3/2021	Schmid et al.	2021/0315571	A1	10/2021	Swayze et al.
2021/0085315	A1	3/2021	Aronhalt et al.	2021/0315573	A1	10/2021	Shelton, IV et al.
2021/0085316	A1	3/2021	Harris et al.	2021/0315574	A1	10/2021	Shelton, IV et al.
2021/0085317	A1	3/2021	Miller et al.	2021/0315576	A1	10/2021	Shelton, IV et al.
2021/0085318	A1	3/2021	Swayze et al.	2021/0315577	A1	10/2021	Shelton, IV et al.
2021/0085319	A1	3/2021	Swayze et al.	2021/0322009	A1	10/2021	Huang et al.
2021/0085320	A1	3/2021	Leimbach et al.	2021/0330321	A1	10/2021	Leimbach et al.
2021/0085321	A1	3/2021	Shelton, IV et al.	2021/0338233	A1	11/2021	Shelton, IV et al.
2021/0085325	A1	3/2021	Shelton, IV et al.	2021/0338234	A1	11/2021	Shelton, IV et al.
2021/0085326	A1	3/2021	Vendely et al.	2021/0338260	A1	11/2021	Le Rolland et al.
2021/0093321	A1	4/2021	Auld et al.	2021/0353284	A1	11/2021	Yang et al.
2021/0093323	A1	4/2021	Scirica et al.	2021/0369271	A1	12/2021	Schings et al.
2021/0100541	A1	4/2021	Shelton, IV et al.	2021/0369273	A1	12/2021	Yates et al.
2021/0100550	A1	4/2021	Shelton, IV et al.	2021/0378669	A1	12/2021	Shelton, IV et al.
2021/0100982	A1	4/2021	Laby et al.	2021/0393260	A1	12/2021	Shelton, IV et al.
2021/0106333	A1	4/2021	Shelton, IV et al.	2021/0393261	A1	12/2021	Harris et al.
2021/0107031	A1	4/2021	Bales, Jr. et al.	2021/0393262	A1	12/2021	Shelton, IV et al.
2021/0121175	A1	4/2021	Yates et al.	2021/0393268	A1	12/2021	Shelton, IV et al.
2021/0128146	A1	5/2021	Shelton, IV et al.	2021/0393366	A1	12/2021	Shelton, IV et al.
2021/0128153	A1	5/2021	Sgroi	2022/0000478	A1	1/2022	Shelton, IV et al.
2021/0137522	A1	5/2021	Shelton, IV et al.	2022/0031313	A1	2/2022	Bakos et al.
2021/0153866	A1	5/2021	Knapp et al.	2022/0031314	A1	2/2022	Bakos et al.
2021/0186490	A1	6/2021	Shelton, IV et al.	2022/0031315	A1	2/2022	Bakos et al.
2021/0186492	A1	6/2021	Shelton, IV et al.	2022/0031319	A1	2/2022	Witte et al.
2021/0186493	A1	6/2021	Shelton, IV et al.	2022/0031320	A1	2/2022	Hall et al.
2021/0186494	A1	6/2021	Shelton, IV et al.	2022/0031322	A1	2/2022	Parks
2021/0186495	A1	6/2021	Shelton, IV et al.	2022/0031323	A1	2/2022	Witte
2021/0186497	A1	6/2021	Shelton, IV et al.	2022/0031324	A1	2/2022	Hall et al.
2021/0186498	A1	6/2021	Boudreaux et al.	2022/0031345	A1	2/2022	Witte
2021/0186499	A1	6/2021	Shelton, IV et al.	2022/0031346	A1	2/2022	Parks
2021/0186500	A1	6/2021	Shelton, IV et al.	2022/0031350	A1	2/2022	Witte
2021/0186501	A1	6/2021	Shelton, IV et al.	2022/0031351	A1	2/2022	Moubarak et al.
2021/0186502	A1	6/2021	Shelton, IV et al.	2022/0054130	A1	2/2022	Overmyer et al.
2021/0186503	A1	6/2021	Shelton, IV et al.	2022/0061836	A1	3/2022	Parihar et al.
2021/0186504	A1	6/2021	Shelton, IV et al.	2022/0061843	A1	3/2022	Vendely et al.
2021/0186505	A1	6/2021	Shelton, IV et al.	2022/0061845	A1	3/2022	Shelton, IV et al.
2021/0186506	A1	6/2021	Shelton, IV et al.	2022/0061862	A1	3/2022	Shelton, IV et al.
2021/0186507	A1	6/2021	Shelton, IV et al.	2022/0071630	A1	3/2022	Swayze et al.
2021/0204941	A1	7/2021	Dewaele et al.	2022/0071631	A1	3/2022	Harris et al.
2021/0212691	A1	7/2021	Smith et al.	2022/0071632	A1	3/2022	Patel et al.
2021/0212776	A1	7/2021	Schmitt et al.	2022/0071635	A1	3/2022	Shelton, IV et al.
2021/0219976	A1	7/2021	DiNardo et al.	2022/0079580	A1	3/2022	Vendely et al.
2021/0228209	A1	7/2021	Shelton, IV et al.	2022/0079588	A1	3/2022	Harris et al.
2021/0236117	A1	8/2021	Morgan et al.	2022/0079589	A1	3/2022	Harris et al.
2021/0236124	A1	8/2021	Shelton, IV et al.	2022/0079590	A1	3/2022	Harris et al.
2021/0244406	A1	8/2021	Kerr et al.	2022/0079595	A1	3/2022	Huitema et al.
2021/0244407	A1	8/2021	Shelton, IV et al.	2022/0079596	A1	3/2022	Huitema et al.
2021/0244410	A1	8/2021	Swayze et al.	2022/0087676	A1	3/2022	Shelton, IV et al.
2021/0244411	A1	8/2021	Smith et al.	2022/0104816	A1	4/2022	Fernandes et al.
2021/0244412	A1	8/2021	Vendely et al.	2022/0117602	A1	4/2022	Wise et al.
2021/0259681	A1	8/2021	Shelton, IV et al.	2022/0133299	A1	5/2022	Baxter, III
2021/0259687	A1	8/2021	Gonzalez et al.	2022/0133300	A1	5/2022	Leimbach et al.
2021/0259986	A1	8/2021	Widenhouse et al.	2022/0133301	A1	5/2022	Leimbach
2021/0259987	A1	8/2021	Widenhouse et al.	2022/0133302	A1	5/2022	Zerkle et al.
2021/0267589	A1	9/2021	Swayze et al.	2022/0133303	A1	5/2022	Huang
2021/0267592	A1	9/2021	Baxter, III et al.	2022/0133304	A1	5/2022	Leimbach et al.
2021/0267594	A1	9/2021	Morgan et al.	2022/0133310	A1	5/2022	Ross
2021/0267595	A1	9/2021	Posada et al.	2022/0133311	A1	5/2022	Huang
2021/0267596	A1	9/2021	Fanelli et al.	2022/0133312	A1	5/2022	Huang
2021/0275053	A1	9/2021	Shelton, IV et al.	2022/0133427	A1	5/2022	Baxter, III
2021/0275172	A1	9/2021	Harris et al.	2022/0133428	A1	5/2022	Leimbach et al.
2021/0275173	A1	9/2021	Shelton, IV et al.	2022/0142643	A1	5/2022	Shelton, IV et al.
2021/0275176	A1	9/2021	Beckman et al.	2022/0151611	A1	5/2022	Shelton, IV et al.
2021/0282767	A1	9/2021	Shelton, IV et al.	2022/0151613	A1	5/2022	Vendely et al.
2021/0282769	A1	9/2021	Baxter, III et al.	2022/0151614	A1	5/2022	Vendely et al.
2021/0282774	A1	9/2021	Shelton, IV et al.	2022/0151615	A1	5/2022	Shelton, IV et al.
2021/0282776	A1	9/2021	Overmyer et al.	2022/0151616	A1	5/2022	Shelton, IV et al.
2021/0290226	A1	9/2021	Mandakolathur Vasudevan et al.	2022/0167968	A1	6/2022	Worthington et al.
2021/0290231	A1	9/2021	Baxter, III et al.	2022/0167970	A1	6/2022	Aronhalt et al.



# US D975,851 S

2022/0167971	A1	6/2022	Shelton, IV et al.	CN	102125450	B	7/2012
2022/0167972	A1	6/2022	Shelton, IV et al.	CN	202313537	U	7/2012
2022/0167973	A1	6/2022	Shelton, IV et al.	CN	202397539	U	8/2012
2022/0167974	A1	6/2022	Shelton, IV et al.	CN	202426586	U	9/2012
2022/0167975	A1	6/2022	Shelton, IV et al.	CN	102743201	A	10/2012
2022/0167977	A1	6/2022	Shelton, IV et al.	CN	202489990	U	10/2012
2022/0167979	A1	6/2022	Yates et al.	CN	102228387	B	11/2012
2022/0167980	A1	6/2022	Shelton, IV et al.	CN	102835977	A	12/2012
2022/0167981	A1	6/2022	Shelton, IV et al.	CN	202568350	U	12/2012
2022/0167982	A1	6/2022	Shelton, IV et al.	CN	103037781	A	4/2013
2022/0167983	A1	6/2022	Shelton, IV et al.	CN	103083053	A	5/2013
2022/0167984	A1	6/2022	Shelton, IV et al.	CN	103391037	A	11/2013
2022/0167995	A1	6/2022	Parfett et al.	CN	203328751	U	12/2013
2022/0168038	A1	6/2022	Shelton, IV et al.	CN	103505264	A	1/2014
2022/0175370	A1	6/2022	Shelton, IV et al.	CN	103584893	A	2/2014
2022/0175371	A1	6/2022	Hess et al.	CN	103635150	A	3/2014
2022/0175372	A1	6/2022	Shelton, IV et al.	CN	103690212	A	4/2014
2022/0175375	A1	6/2022	Harris et al.	CN	203564285	U	4/2014
2022/0175378	A1	6/2022	Leimbach et al.	CN	203564287	U	4/2014
2022/0175381	A1	6/2022	Scheib et al.	CN	203597997	U	5/2014

## FOREIGN PATENT DOCUMENTS

AU	2012200594	A1	2/2012	CN	103829981	A	6/2014
AU	2012203035	A1	6/2012	CN	103829983	A	6/2014
AU	2012268848	A1	1/2013	CN	103860221	A	6/2014
AU	2011218702	B2	6/2013	CN	103908313	A	7/2014
AU	2012200178	B2	7/2013	CN	203693685	U	7/2014
BR	112013007744	A2	6/2016	CN	203736251	U	7/2014
BR	112013027777	A2	1/2017	CN	103981635	A	8/2014
CA	1015829	A	8/1977	CN	104027145	A	9/2014
CA	1125615	A	6/1982	CN	203815517	U	9/2014
CA	2520413	A1	3/2007	CN	102783741	B	10/2014
CA	2725181	A1	11/2007	CN	102973300	B	10/2014
CA	2851239	A1	11/2007	CN	204092074	U	1/2015
CA	2664874	A1	11/2009	CN	104337556	A	2/2015
CA	2813230	A1	4/2012	CN	204158440	U	2/2015
CA	2940510	A1	8/2015	CN	204158441	U	2/2015
CA	2698728	C	8/2016	CN	102469995	B	3/2015
CN	1163558	A	10/1997	CN	104422849	A	3/2015
CN	2488482	Y	5/2002	CN	104586463	A	5/2015
CN	1634601	A	7/2005	CN	204520822	U	8/2015
CN	2716900	Y	8/2005	CN	204636451	U	9/2015
CN	2738962	Y	11/2005	CN	103860225	B	3/2016
CN	1777406	A	5/2006	CN	103750872	B	5/2016
CN	2785249	Y	5/2006	CN	105919642	A	9/2016
CN	2796654	Y	7/2006	CN	103648410	B	10/2016
CN	2868212	Y	2/2007	CN	105997173	A	10/2016
CN	200942099	Y	9/2007	CN	106344091	A	1/2017
CN	200984209	Y	12/2007	CN	104349800	B	11/2017
CN	200991269	Y	12/2007	CN	107635483	A	1/2018
CN	201001747	Y	1/2008	CN	208625784	U	3/2019
CN	101143105	A	3/2008	DE	273689	C	5/1914
CN	201029899	Y	3/2008	DE	1775926	A	1/1972
CN	101188900	A	5/2008	DE	3036217	A1	4/1982
CN	101203085	A	6/2008	DE	3210466	A1	9/1983
CN	101273908	A	10/2008	DE	3709067	A1	9/1988
CN	101378791	A	3/2009	DE	19534043	A1	3/1997
CN	101507635	A	8/2009	DE	19851291	A1	1/2000
CN	101522120	A	9/2009	DE	19924311	A1	11/2000
CN	101669833	A	3/2010	DE	20016423	U1	2/2001
CN	101716090	A	6/2010	DE	20112837	U1	10/2001
CN	101721236	A	6/2010	DE	20121753	U1	4/2003
CN	101756727	A	6/2010	DE	202004012389	U1	9/2004
CN	101828940	A	9/2010	DE	10314072	A1	10/2004
CN	101856250	A	10/2010	DE	102004014011	A1	10/2005
CN	101873834	A	10/2010	DE	102004041871	A1	3/2006
CN	201719298	U	1/2011	DE	102004063606	A1	7/2006
CN	102038532	A	5/2011	DE	202007003114	U1	6/2007
CN	201879759	U	6/2011	DE	102010013150	A1	9/2011
CN	201949071	U	8/2011	DE	102012213322	A1	1/2014
CN	102217961	A	10/2011	DE	102013101158	A1	8/2014
CN	102217963	A	10/2011	EM	1558161	A1	8/2005
CN	102243850	A	11/2011	EM	002220467-0008		4/2013
CN	102247182	A	11/2011	EP	0000756	A1	2/1979
CN	102247183	A	11/2011	EP	0122046	A1	10/1984
CN	101779977	B	12/2011	EP	0129442	B1	11/1987
CN	102309352	A	1/2012	EP	0251444	A1	1/1988
CN	101912284	B	7/2012	EP	0255631	A1	2/1988
				EP	0169044	B1	6/1991
				EP	0541950	A1	5/1993
				EP	0548998	A1	6/1993



# US D975,851 S

EP	0594148	A1	4/1994	EP	3135225	A2	3/2017
EP	0646357	A1	4/1995	EP	2789299	B1	5/2017
EP	0505036	B1	5/1995	EP	3225190	A2	10/2017
EP	0669104	A1	8/1995	EP	3326548	A1	5/2018
EP	0516544	B1	3/1996	EP	3363378	A1	8/2018
EP	0705571	A1	4/1996	EP	3409216	A1	12/2018
EP	0528478	B1	5/1996	EP	3476334	A1	5/2019
EP	0770355	A1	5/1997	EP	3275378	B1	7/2019
EP	0625335	B1	11/1997	ES	1070456	U	9/2009
EP	0879742	A1	11/1998	FR	459743	A	11/1913
EP	0650701	B1	3/1999	FR	999646	A	2/1952
EP	0923907	A1	6/1999	FR	1112936	A	3/1956
EP	0484677	B2	7/2000	FR	2598905	A1	11/1987
EP	1034747	A1	9/2000	FR	2689749	B1	7/1994
EP	1034748	A1	9/2000	FR	2765794	A1	1/1999
EP	0726632	B1	10/2000	FR	2815842	A1	5/2002
EP	1053719	A1	11/2000	GB	939929	A	10/1963
EP	1055399	A1	11/2000	GB	1210522	A	10/1970
EP	1055400	A1	11/2000	GB	1217159	A	12/1970
EP	1064882	A1	1/2001	GB	1339394	A	12/1973
EP	1080694	A1	3/2001	GB	2024012	A	1/1980
EP	1090592	A1	4/2001	GB	2109241	A	6/1983
EP	1095627	A1	5/2001	GB	2090534	B	6/1984
EP	0806914	B1	9/2001	GB	2272159	A	5/1994
EP	1234587	A1	8/2002	GB	2336214	A	10/1999
EP	1284120	A1	2/2003	GB	2509523	A	7/2014
EP	0717967	B1	5/2003	GR	930100110	A	11/1993
EP	0869742	B1	5/2003	JP	S4711908	Y1	5/1972
EP	1374788	A1	1/2004	JP	S5033988	U	4/1975
EP	1407719	A2	4/2004	JP	S5367286	A	6/1978
EP	0996378	B1	6/2004	JP	S56112235	A	9/1981
EP	1157666	B1	9/2005	JP	S60113007	A	6/1985
EP	0880338	B1	10/2005	JP	S62170011	U	10/1987
EP	1158917	B1	11/2005	JP	S6333137	A	2/1988
EP	1344498	B1	11/2005	JP	S63270040	A	11/1988
EP	1330989	B1	12/2005	JP	S63318824	A	12/1988
EP	1632191	A2	3/2006	JP	H0129503	B2	6/1989
EP	1082944	B1	5/2006	JP	H02106189	A	4/1990
EP	1253866	B1	7/2006	JP	H0378514	U	8/1991
EP	1723914	A1	11/2006	JP	H0385009	U	8/1991
EP	1285633	B1	12/2006	JP	H04215747	A	8/1992
EP	1011494	B1	1/2007	JP	H04131860	U	12/1992
EP	1767163	A1	3/2007	JP	H0584252	A	4/1993
EP	1837041	A1	9/2007	JP	H05123325	A	5/1993
EP	0922435	B1	10/2007	JP	H05226945	A	9/1993
EP	1599146	B1	10/2007	JP	H0630945	A	2/1994
EP	1330201	B1	6/2008	JP	H0636757	A	2/1994
EP	2039302	A2	3/2009	JP	H06237937	A	8/1994
EP	1719461	B1	6/2009	JP	H06304176	A	11/1994
EP	2116196	A2	11/2009	JP	H06327684	A	11/1994
EP	1769754	B1	6/2010	JP	H079622	U	2/1995
EP	1627605	B1	12/2010	JP	H07124166	A	5/1995
EP	2316345	A1	5/2011	JP	H07163573	A	6/1995
EP	1962711	B1	2/2012	JP	H07255735	A	10/1995
EP	2486862	A2	8/2012	JP	H07285089	A	10/1995
EP	2486868	A2	8/2012	JP	H0833642	A	2/1996
EP	2517638	A1	10/2012	JP	H08164141	A	6/1996
EP	2606812	A1	6/2013	JP	H08182684	A	7/1996
EP	2649948	A1	10/2013	JP	H08507708	A	8/1996
EP	2649949	A1	10/2013	JP	H08229050	A	9/1996
EP	2668910	A2	12/2013	JP	H08289895	A	11/1996
EP	2687164	A2	1/2014	JP	H0950795	A	2/1997
EP	2713902	A1	4/2014	JP	H09-323068	A	12/1997
EP	2743042	A2	6/2014	JP	H10118090	A	5/1998
EP	2764827	A2	8/2014	JP	H10-200699	A	7/1998
EP	2777524	A2	9/2014	JP	H10296660	A	11/1998
EP	2789299	A1	10/2014	JP	2000014632	A	1/2000
EP	2842500	A1	3/2015	JP	2000033071	A	2/2000
EP	2853220	A1	4/2015	JP	2000112002	A	4/2000
EP	2878274	A1	6/2015	JP	2000166932	A	6/2000
EP	2298220	B1	6/2016	JP	2000171730	A	6/2000
EP	2510891	B1	6/2016	JP	2000210299	A	8/2000
EP	3031404	A1	6/2016	JP	2000271141	A	10/2000
EP	3047806	A1	7/2016	JP	2000287987	A	10/2000
EP	3078334	A1	10/2016	JP	2000325303	A	11/2000
EP	2364651	B1	11/2016	JP	2001-69758	A	3/2001
EP	2747235	B1	11/2016	JP	2001087272	A	4/2001
EP	3095399	A2	11/2016	JP	2001208655	A	8/2001
EP	3120781	A2	1/2017	JP	2001514541	A	9/2001



# US D975,851 S

JP	2001276091	A	10/2001	JP	2015521524	A	7/2015
JP	2002051974	A	2/2002	JP	2015521525	A	7/2015
JP	2002054903	A	2/2002	JP	2016007800	A	1/2016
JP	2002085415	A	3/2002	JP	2016508792	A	3/2016
JP	2002143078	A	5/2002	JP	2016512057	A	4/2016
JP	2002153481	A	5/2002	JP	2016530949	A	10/2016
JP	2002528161	A	9/2002	JP	2017513563	A	6/2017
JP	2002314298	A	10/2002	JP	1601498	S	4/2018
JP	2003135473	A	5/2003	JP	2019513530	A	5/2019
JP	2003521301	A	7/2003	JP	D1677030	S	1/2021
JP	3442423	B2	9/2003	JP	D1696539	S	10/2021
JP	2003300416	A	10/2003	KR	20100110134	A	10/2010
JP	2004147701	A	5/2004	KR	20110003229	A	1/2011
JP	2004162035	A	6/2004	KR	300631507		3/2012
JP	2004229976	A	8/2004	KR	300747646		6/2014
JP	2005013573	A	1/2005	KR	20180053811	A	5/2018
JP	2005080702	A	3/2005	RU	1814161	A1	5/1993
JP	2005131163	A	5/2005	RU	1814161	C	5/1993
JP	2005131164	A	5/2005	RU	2008830	C1	3/1994
JP	2005131173	A	5/2005	RU	2052979	C1	1/1996
JP	2005131211	A	5/2005	RU	2066128	C1	9/1996
JP	2005131212	A	5/2005	RU	2069981	C1	12/1996
JP	2005137423	A	6/2005	RU	2098025	C1	12/1997
JP	2005187954	A	7/2005	RU	2104671	C1	2/1998
JP	2005211455	A	8/2005	RU	2110965	C1	5/1998
JP	2005328882	A	12/2005	RU	2141279	C1	11/1999
JP	2005335432	A	12/2005	RU	2144791	C1	1/2000
JP	2005342267	A	12/2005	RU	2161450	C1	1/2001
JP	3791856	B2	6/2006	RU	2181566	C2	4/2002
JP	2006187649	A	7/2006	RU	2187249	C2	8/2002
JP	2006218228	A	8/2006	RU	32984	U1	10/2003
JP	2006281405	A	10/2006	RU	2225170	C2	3/2004
JP	2006291180	A	10/2006	RU	42750	U1	12/2004
JP	2006346445	A	12/2006	RU	61114	U1	2/2007
JP	2007-97252	A	4/2007	RU	61122	U1	2/2007
JP	2007289715	A	11/2007	RU	2430692	C2	10/2011
JP	2007304057	A	11/2007	SU	189517	A	1/1967
JP	2007306710	A	11/2007	SU	297156	A	5/1971
JP	D1322057		2/2008	SU	328636	A	9/1972
JP	2008154804	A	7/2008	SU	511939	A1	4/1976
JP	2008220032	A	9/2008	SU	674747	A1	7/1979
JP	2009507526	A	2/2009	SU	728848	A1	4/1980
JP	2009189838	A	8/2009	SU	1009439	A	4/1983
JP	2009189846	A	8/2009	SU	1042742	A1	9/1983
JP	2009207260	A	9/2009	SU	1271497	A1	11/1986
JP	2009226028	A	10/2009	SU	1333319	A2	8/1987
JP	2009538684	A	11/2009	SU	1377052	A1	2/1988
JP	2009539420	A	11/2009	SU	1377053	A1	2/1988
JP	D1383743		2/2010	SU	1443874	A1	12/1988
JP	2010065594	A	3/2010	SU	1509051	A1	9/1989
JP	2010069307	A	4/2010	SU	1561964	A1	5/1990
JP	2010069310	A	4/2010	SU	1708312	A1	1/1992
JP	2010098844	A	4/2010	SU	1722476	A1	3/1992
JP	2010214128	A	9/2010	SU	1752361	A1	8/1992
JP	2011072574	A	4/2011	WO	WO-9308754	A1	5/1993
JP	4722849	B2	7/2011	WO	WO-9315648	A1	8/1993
JP	4728996	B2	7/2011	WO	WO-9420030	A1	9/1994
JP	2011524199	A	9/2011	WO	WO-9517855	A1	7/1995
JP	2011200665	A	10/2011	WO	WO-9520360	A1	8/1995
JP	D1432094		12/2011	WO	WO-9623448	A1	8/1996
JP	2012115542	A	6/2012	WO	WO-9635464	A1	11/1996
JP	2012143283	A	8/2012	WO	WO-9639086	A1	12/1996
JP	5154710	B1	2/2013	WO	WO-9639088	A1	12/1996
JP	2013099551	A	5/2013	WO	WO-9724073	A1	7/1997
JP	2013126430	A	6/2013	WO	WO-9734533	A1	9/1997
JP	D1481426		9/2013	WO	WO-9827870	A1	7/1998
JP	2013541982	A	11/2013	WO	WO-9903407	A1	1/1999
JP	2013541983	A	11/2013	WO	WO-9903409	A1	1/1999
JP	2013541997	A	11/2013	WO	WO-9948430	A1	9/1999
JP	2014018667	A	2/2014	WO	WO-0024322	A1	5/2000
JP	D1492363		2/2014	WO	WO-0024330	A1	5/2000
JP	2014121599	A	7/2014	WO	WO-0036690	A2	6/2000
JP	2014171879	A	9/2014	WO	WO-0053112	A2	9/2000
JP	1517663	S	2/2015	WO	WO-0024448	A2	10/2000
JP	2015512725	A	4/2015	WO	WO-0057796	A1	10/2000
JP	2015513956	A	5/2015	WO	WO-0105702	A1	1/2001
JP	2015513958	A	5/2015	WO	WO-0154594	A1	8/2001
JP	2015514471	A	5/2015	WO	WO-0158371	A1	8/2001
JP	2015516838	A	6/2015	WO	WO-0162164	A2	8/2001



WO	WO-0162169	A2	8/2001
WO	WO-0191646	A1	12/2001
WO	WO-0219932	A1	3/2002
WO	WO-0226143	A1	4/2002
WO	WO-0236028	A1	5/2002
WO	WO-02065933	A2	8/2002
WO	WO-03055402	A1	7/2003
WO	WO-03094747	A1	11/2003
WO	WO-03079909	A3	3/2004
WO	WO-2004019803	A1	3/2004
WO	WO-2004032783	A1	4/2004
WO	WO-2004047626	A1	6/2004
WO	WO-2004047653	A2	6/2004
WO	WO-2004056277	A1	7/2004
WO	WO-2004078050	A2	9/2004
WO	WO-2004078051	A2	9/2004
WO	WO-2004096015	A2	11/2004
WO	WO-2006044581	A2	4/2006
WO	WO-2006051252	A1	5/2006
WO	WO-2006059067	A1	6/2006
WO	WO-2006073581	A2	7/2006
WO	WO-2006085389	A1	8/2006
WO	WO-2007015971	A2	2/2007
WO	WO-2007074430	A1	7/2007
WO	WO-2007129121	A1	11/2007
WO	WO-2007137304	A2	11/2007
WO	WO-2007142625	A2	12/2007
WO	WO-2008021969	A2	2/2008
WO	WO-2008061566	A1	5/2008
WO	WO-2008089404	A2	7/2008
WO	WO-2009005969	A2	1/2009
WO	WO-2009067649	A2	5/2009
WO	WO-2009091497	A2	7/2009
WO	WO-2010126129	A1	11/2010
WO	WO-2010134913	A1	11/2010
WO	WO-2011008672	A2	1/2011
WO	WO-2011044343	A2	4/2011
WO	WO-2012006306	A2	1/2012
WO	WO-2012013577	A1	2/2012
WO	WO-2012044606	A2	4/2012
WO	WO-2012061725	A1	5/2012
WO	WO-2012072133	A1	6/2012
WO	WO-2012166503	A1	12/2012
WO	WO-2013087092	A1	6/2013
WO	WO-2013151888	A1	10/2013
WO	WO-2014004209	A2	1/2014
WO	WO-2014113438	A1	7/2014
WO	WO-2014175894	A1	10/2014
WO	WO-2015032797	A1	3/2015
WO	WO-2015076780	A1	5/2015
WO	WO-2015137040	A1	9/2015
WO	WO-2015138760	A1	9/2015
WO	WO-2015187107	A1	12/2015
WO	WO-2016100682	A1	6/2016
WO	WO-2016107448	A1	7/2016
WO	WO-2019036490	A1	2/2019

## OTHER PUBLICATIONS

Science Direct, "Laparoscopic linear cutting stapler failure", first available Sep. 2002. (<https://www.sciencedirect.com/science/article/pii/S0090429502017788>) (Year: 2002).\*

JAMA Network, "Postendoscopic Zenker Esophagodiverticulostomy Leaks Associated With a Specific Stapler Cartridge", first available Feb. 2002. (<https://jamanetwork.com/journals/jamaotolaryngology/fullarticle/482754?resultClick=1>) (Year: 2002).\*

Wiley Online Library, "A simple and safe pancreas transection using a stapling device for a distal pancreatectomy", first available Aug. 1, 2008. (<https://onlinelibrary.wiley.com/doi/full/10.1007/s00534-008-1328-8>) (Year: 2008).\*

Youtube, "ECHELON FLEX Powered Vascular Stapler In-Service | Ethicon", first available Mar. 13, 2020. ([https://www.youtube.com/watch?v=Iw6U\\_pcv\\_gl](https://www.youtube.com/watch?v=Iw6U_pcv_gl)) (Year: 2020).\*

ASTM procedure D2240-00, "Standard Test Method for Rubber Property-Durometer Hardness," (Published Aug. 2000).

ASTM procedure D2240-05, "Standard Test Method for Rubber Property-Durometer Hardness," (Published Apr. 2010).

Van Meer et al., "A Disposable Plastic Compact Wrist for Smart Minimally Invasive Surgical Tools," LAAS/CNRS (Aug. 2005).

Breedveld et al., "A New, Easily Miniaturized Sterrable Endoscope," IEEE Engineering in Medicine and Biology Magazine (Nov./Dec. 2005).

Disclosed Anonymously, "Motor-Driven Surgical Stapler Improvements," Research Disclosure Database No. 526041, Published: Feb. 2008.

B.R. Coolman, DVM, MS et al., "Comparison of Skin Staples With Sutures for Anastomosis of the Small Intestine in Dogs," Abstract; <http://www.blackwell-synergy.com/doi/abs/10.1053/jvet.2000.7539?cookieSet=1&journalCode=vsu> which redirects to <http://www3.interscience.wiley.com/journal/119040681/abstract?CRETRY=1&SRETRY=0>; [online] accessed: Sep. 22, 2008 (2 pages).

D. Tuite, Ed., "Get The Lowdown On Ultracapacitors," Nov. 15, 2007; [online] URL: <http://electronicdesign.com/Articles/Print.cfm?ArticleID=17465>, accessed Jan. 15, 2008 (5 pages).

Datasheet for Panasonic TK Relays Ultra Low Profile 2 A Polarized Relay, Copyright Matsushita Electric Works, Ltd. (Known of at least as early as Aug. 17, 2010), 5 pages.

Schellhammer et al., "Poly-Lactic-Acid for Coating of Endovascular Stents: Preliminary Results in Canine Experimental Av-Fistulae," *Mat.-wiss. u. Werkstofftech.*, 32, pp. 193-199 (2001).

Miyata et al., "Biomolecule-Sensitive Hydrogels," *Advanced Drug Delivery Reviews*, 54 (2002) pp. 79-98.

Jeong et al., "Thermosensitive Sol-Gel Reversible Hydrogels," *Advanced Drug Delivery Reviews*, 54 (2002) pp. 37-51.

Covidien Brochure, "Endo GIA™ Ultra Universal Stapler," (2010), 2 pages.

Qiu et al., "Environment-Sensitive Hydrogels for Drug Delivery," *Advanced Drug Delivery Reviews*, 53 (2001) pp. 321-339.

Hoffman, "Hydrogels for Biomedical Applications," *Advanced Drug Delivery Reviews*, 43 (2002) pp. 3-12.

Hoffman, "Hydrogels for Biomedical Applications," *Advanced Drug Delivery Reviews*, 54 (2002) pp. 3-12.

Peppas, "Physiologically Responsive Hydrogels," *Journal of Bioactive and Compatible Polymers*, vol. 6 (Jul. 1991) pp. 241-246.

Peppas, Editor "Hydrogels in Medicine and Pharmacy," vol. I, *Fundamentals*, CRC Press, 1986.

Young, "Microcellular foams via phase separation," *Journal of Vacuum Science & Technology A* 4(3), (May/Jun. 1986).

Ebara, "Carbohydrate-Derived Hydrogels and Microgels," *Engineered Carbohydrate-Based Materials for Biomedical Applications: Polymers, Surfaces, Dendrimers, Nanoparticles, and Hydrogels*, Edited by Ravin Narain, 2011, pp. 337-345.

<http://ninpgan.net/publications/51-100/89.pdf>; 2004, Ning Pan, On Uniqueness of Fibrous Materials, *Design & Nature II*. Eds: Colins, M. and Brebbia, C. WIT Press, Boston, 493-504.

Solorio et al., "Gelatin Microspheres Crosslinked with Genipin for Local Delivery of Growth Factors," *J. Tissue Eng. Regen. Med.* (2010), 4(7): pp. 514-523.

Covidien iDrive™ Ultra in Service Reference Card, "iDrive™ Ultra Powered Stapling Device," (4 pages).

Covidien iDrive™ Ultra Powered Stapling System brochure, "The Power of iDrive™ Ultra Powered Stapling System and Tri-Staple™ Technology," (23 pages).

Covidien "iDrive™ Ultra Powered Stapling System, A Guide for Surgeons," (6 pages).

Covidien "iDrive™ Ultra Powered Stapling System, Cleaning and Sterilization Guide," (2 pages).

Covidien Brochure "iDrive™ Ultra Powered Stapling System," (6 pages).

Covidien Brochure, "Endo GIA™ Reloads with Tri-Staple™ Technology," (2010), 1 page.

Covidien Brochure, "Endo GIA™ Reloads with Tri-Staple™ Technology and Endo GIA™ Ultra Universal Staplers," (2010), 2 pages.

Covidien Brochure, "Endo GIA™ Curved Tip Reload with Tri-Staple™ Technology," (2012), 2 pages.

Covidien Brochure, "Endo GIA™ Reloads with Tri-Staple™ Technology," (2010), 2 pages.

Pitt et al., "Attachment of Hyaluronan to Metallic Surfaces," *J. Biomed. Mater. Res.* 68A: pp. 95-106, 2004.



- Indian Standard: Automotive Vehicles—Brakes and Braking Systems (IS 11852-1:2001), Mar. 1, 2001.
- Patrick J. Sweeney: “RFID for Dummies”, Mar. 11, 2010, pp. 365-365, XP055150775, ISBN: 978-1-11-805447-5, Retrieved from the Internet: URL: [books.google.de/books?isbn=1118054474](https://books.google.de/books?isbn=1118054474) [retrieved on Nov. 4, 2014]—book not attached.
- Allegro MicroSystems, LLC, Automotive Full Bridge MOSFET Driver, A3941-DS, Rev. 5, 21 pages, <http://www.allegromicro.com/~media/Files/Datasheets/A3941-Datasheet.ashx?la=en>.
- Data Sheet of LM4F230H5QR, 2007.
- Seils et al., Covidien Summary: Clinical Study “UCONN Biodynamics: Final Report on Results,” (2 pages).
- Byrne et al., “Molecular Imprinting Within Hydrogels,” *Advanced Drug Delivery Reviews*, 54 (2002) pp. 149-161.
- Fast, Versatile Blackfin Processors Handle Advanced RFID Reader Applications; Analog Dialogue: vol. 40—Sep. 2006; <http://www.analog.com/library/analogDialogue/archives/40-09/rfid.pdf>; Wayback Machine to Feb. 15, 2012.
- Chen et al., “Elastomeric Biomaterials for Tissue Engineering,” *Progress in Polymer Science* 38 (2013), pp. 584-671.
- Matsuda, “Thermodynamics of Formation of Porous Polymeric Membrane from Solutions,” *Polymer Journal*, vol. 23, No. 5, pp. 435-444 (1991).
- Covidien Brochure, “Endo GIA™ Black Reload with Tri-Staple™ Technology,” (2012), 2 pages.
- Biomedical Coatings, Fort Wayne Metals, Research Products Corporation, obtained online at [www.fwmetals.com](http://www.fwmetals.com) on Jun. 21, 2010 (1 page).
- The Soderm Aseptic Battery Transfer Kit, Soderm Systems, 2000, 3 pages.
- C.C. Thompson et al., “Peroral Endoscopic Reduction of Dilated Gastrojejunal Anastomosis After Roux-en-Y Gastric Bypass: A Possible New Option for Patients with Weight Regain,” *Surg Endosc* (2006) vol. 20., pp. 1744-1748.
- Serial Communication Protocol; Michael Lemmon Feb. 1, 2009; <http://www3.nd.edu/~lemmon/courses/ee224/web-manual/web-manual/lab12/node2.html>; Wayback Machine to Apr. 29, 2012.
- Lyon et al. “The Relationship Between Current Load and Temperature for Quasi-Steady State and Transient Conditions,” *SPIE—International Society for Optical Engineering. Proceedings*, vol. 4020, (pp. 62-70), Mar. 30, 2000.
- Anonymous: “Sense & Control Application Note Current Sensing Using Linear Hall Sensors,” Feb. 3, 2009, pp. 1-18. Retrieved from the Internet: URL: [http://www.infineon.com/dgdl/Current\\_Sensing\\_Rev.1.1.pdf?fileId=db3a304332d040720132d939503e5f17](http://www.infineon.com/dgdl/Current_Sensing_Rev.1.1.pdf?fileId=db3a304332d040720132d939503e5f17) [retrieved on Oct. 18, 2016].
- Mouser Electronics, “LM317M 3-Terminal Adjustable Regulator with Overcurrent/Overtemperature Self Protection”, Mar. 31, 2014 (Mar. 31, 2014), XP0555246104, Retrieved from the Internet: URL: <http://www.mouser.com/ds/2/405/lm317m-440423.pdf>, pp. 1-8.
- Mouser Electronics, “LM317 3-Terminal Adjustable Regulator with Overcurrent/Overtemperature Self Protection”, Sep. 30, 2016 (Sep. 30, 2016), XP0555246104, Retrieved from the Internet: URL: <http://www.mouser.com/ds/2/405/lm317m-440423.pdf>, pp. 1-9.
- Cuper et al., “The Use of Near-Infrared Light for Safe and Effective Visualization of Subsurface Blood Vessels to Facilitate Blood Withdrawal in Children,” *Medical Engineering & Physics*, vol. 35, No. 4, pp. 433-440 (2013).
- Yan et al., Comparison of the effects of Mg—6Zn and Ti—3Al-2.5V alloys on TGF-β/TNF-α/VEGF/b-FGF in the healing of the intestinal track in vivo, *Biomed. Mater.* 9 (2014), 11 pages.
- Pellicer et al. “On the biodegradability, mechanical behavior, and cytocompatibility of amorphous Mg<sub>72</sub>Zn<sub>23</sub>Ca<sub>5</sub> and crystalline Mg<sub>70</sub>Zn<sub>23</sub>Ca<sub>5</sub>Pd<sub>2</sub> alloys as temporary implant materials,” *J Biomed Mater Res Part A*, 2013:101A:502-517.
- Anonymous, Analog Devices Wiki, Chapter 11: The Current Mirror, Aug. 20, 2017, 22 pages. <https://wiki.analog.com/university/courses/electronics/text/chapter-11?rev=1503222341>.
- Yan et al., “Comparison of the effects of Mg—6Zn and titanium on intestinal tract in vivo,” *J Mater Sci: Mater Med* (2013), 11 pages.
- Brar et al., “Investigation of the mechanical and degradation properties of Mg—Sr and Mg—Zn—Sr alloys for use as potential biodegradable implant materials,” *J. Mech. Behavior of Biomed. Mater.* 7 (2012) pp. 87-95.
- Texas Instruments: “Current Recirculation and Decay Modes,” Application Report SLVA321—Mar. 2009; Retrieved from the Internet: URL: <http://www.ti.com/lit/an/slva321/slva321> [retrieved on Apr. 25, 2017], 7 pages.
- Qiu Li Loh et al.: “Three-Dimensional Scaffolds for Tissue Engineering Applications: Role of Porosity and Pore Size”, *Tissue Engineering Part B—Reviews*, vol. 19, No. 6, Dec. 1, 2013, pp. 485-502.
- Gao et al., “Mechanical Signature Enhancement of Response Vibrations in the Time Lag Domain,” *Fifth International Congress on Sound and Vibration*, Dec. 15-18, 1997, pp. 1-8.
- Trendafilova et al., “Vibration-based Methods for Structural and Machinery Fault Diagnosis Based on Nonlinear Dynamics Tools,” In: *Fault Diagnosis in Robotic and Industrial Systems*, IConcept Press LTD, 2012, pp. 1-29.
- Youtube.com; video by Fibran (retrieved from URL <https://www.youtube.com/watch?v=vN2Qjt51gFQ>); (Year: 2018).
- Foot and Ankle: Core Knowledge in Orthopaedics; by DiGiovanni MD, Elsevier; (p. 27, left column, heading “Materials for Soft Orthoses”, 7th bullet point); (Year: 2007).
- Lee, Youbok, “Antenna Circuit Design for RFID Applications,” 2003, pp. 1-50, DS00710C, Microchip Technology Inc., Available: <http://ww1.microchip.com/downloads/en/AppNotes/00710c.pdf>.
- Kawamura, Atsuo, et al. “Wireless Transmission of Power and Information Through One High-Frequency Resonant AC Link Inverter for Robot Manipulator Applications,” *Journal*, May/Jun. 1996, pp. 503-508, vol. 32, No. 3, *IEEE Transactions on Industry Applications*.
- Honda HS1332AT and ATD Model Info, [powerequipment.honda.com](http://powerequipment.honda.com) [online], published on or before Mar. 22, 2016, [retrieved on May 31, 2019], retrieved from the Internet [URL: <https://powerequipment.honda.com/snowblowers/models/hss1332at-hss1332atd>] {Year: 2016}.
- Slow Safety Sign, [shutterstock.com](http://shutterstock.com) [online], published on or before May 9, 2017, [retrieved on May 31, 2019], retrieved from the [https://www.shutterstock.com/image-vector/slow-safety-sign-twodimensional-turtle-symbolizing- . . .](https://www.shutterstock.com/image-vector/slow-safety-sign-twodimensional-turtle-symbolizing-...) see PDF in file for full URL] (Year: 2017).
- Warning Sign Beveled Buttons, by Peter, [flarestock.com](http://flarestock.com) [online], published on or before Jan. 1, 2017, [retrieved on Jun. 4, 2019], retrieved from the Internet [URL: <https://www.flarestock.com/stock-images/warning-sign-beveled-buttons/70257>] (Year: 2017).
- Arrow Sign Icon Next Button, by Blan-k, [shutterstock.com](http://shutterstock.com) [online], published on or before Aug. 6, 2014, [retrieved on Jun. 4, 2019], retrieved from the Internet [URL: [https://www.shutterstock.com/de/image-vector/arrow-sign-icon-next-button-navigation-207700303?irgwc=1&utm . . .](https://www.shutterstock.com/de/image-vector/arrow-sign-icon-next-button-navigation-207700303?irgwc=1&utm...) see PDF in file for full URL] (Year: 2014).
- Elite Icons, by smart/icons, [iconfinder.com](http://iconfinder.com) [online], published on Aug. 18, 2016, [retrieved on Jun. 4, 2019], retrieved from the Internet [URL: <https://www.iconfinder.com/iconsets/elite>] (Year: 2016).
- Tutorial overview of inductively coupled RFID Systems, UPM, May 2003, pp. 1-7, UPM Rafsec, <<http://cdn.mobiusconsulting.com/papers/rfidsystems.pdf>>.
- Schroeter, John, “Demystifying UHF Gen 2 RFID, HF RFID,” Online Article, Jun. 2, 2008, pp. 1-3, <<https://www.edn.com/design/industrial-control/4019123/Demystifying-UHF-Gen-2-RFID-HF-RFID>>.
- Adeeb, et al., “An Inductive Link-Based Wireless Power Transfer System for Biomedical Applications,” Research Article, Nov. 14, 2011, pp. 1-12, vol. 2012, Article ID 879294, Hindawi Publishing Corporation.
- Pushing Pixels (GIF), published on [dribbble.com](http://dribbble.com), 2013.
- Sodium stearate C<sub>18</sub>H<sub>35</sub>NaO<sub>2</sub>, Chemspider Search and Share Chemistry, Royal Society of Chemistry, pp. 1-3, 2015, <http://www.chemspider.com/Chemical-Structure.12639.html>, accessed May 23, 2016.
- NF Monographs: Sodium Stearate, U.S. Pharmacopeia, [http://www.pharmacopeia.cn/v29240/usp29nf24s0\\_m77360.html](http://www.pharmacopeia.cn/v29240/usp29nf24s0_m77360.html), accessed May 23, 2016.



Fischer, Martin H, "Colloid-Chemical Studies on Soaps", The Chemical Engineer, pp. 184-193, Aug. 1919.

V.K. Ahluwalia and Madhuri Goyal, A Textbook of Organic Chemistry, Section 19.11.3, p. 356, 2000.

A.V. Kasture and S.G. Wadodkar, Pharmaceutical Chemistry—II: Second Year Diploma in Pharmacy, Nirali Prakashan, p. 339, 2007.

Forum discussion regarding "Speed is Faster", published on Oct. 1, 2014 and retrieved on Nov. 8, 2019 from URL <https://english.stackexchange.com/questions/199018/how-is-that-correct-speed-is-faster-or-prices-are-cheaper> (Year: 2014).

"Understanding the Requirements of ISO/IEC 14443 for Type B Proximity Contactless Identification Cards," retrieved from <https://www.digchip.com/application-notes/22/15746.php> on Mar. 2, 2020, pp. 1-28 (Nov. 2005).

Jauchem, J.R., "Effects of low-level radio-frequency (3 kHz to 300 GHz) energy on human cardiovascular, reproductive, immune, and other systems: A review of the recent literated," Int. J. Hyg. Environ. Health 211 (2008) 1-29.

Sandvik, "Welding Handbook," <https://www.meting.rs/wp-content/uploads/2018/05/welding-handbook.pdf>, retrieved on Jun. 22, 2020, pp. 5-6.

Ludois, Daniel C., "Capacitive Power Transfer for Rotor Field Current in Synchronous Machines," IEEE Transactions on Power Electronics, Institute of Electrical and Electronics Engineers, USA, vol. 27, No. 11, Nov. 1, 2012, pp. 4638-4645.

Rotary Systems: Sealed Slip Ring Categories, Rotary Systems, May 22, 2017, retrieved from the internet: <http://web.archive.org/web/20170522174710/http://rotarysystems.com:80/slip-rings/sealed/>, retrieved on Aug. 12, 2020, pp. 1-2.

IEEE Std 802.3-2012 (Revision of IEEE Std 802.3-2008, published Dec. 28, 2012).

"ATM-MPLS Network Interworking Version 2.0, af-aic-0178.001" ATM Standard, The ATM Forum Technical Committee, published Aug. 2003.

Yang et al.; "4D printing reconfigurable, deployable and mechanically tunable metamaterials," Material Horizons, vol. 6, pp. 1244-1250 (2019).

"Council Directive 93/42/EEC of Jun. 14, 1993 Concerning Medical Devices," Official Journal of the European Communities, L&C. Legislation and Competition, S, No. L 169, Jun. 14, 1993, pp. 1-43. Arjo Loeve et al., Scopes Too Flexible . . . and Too Stiff, 2010, IEEE Pulse, Nov./Dec. 2010 (Year: 2010), 16 pages.

Molina, "Low Level Reader Protocol (LLRP)," Oct. 13, 2010, pp. 1-198.

\* cited by examiner

*Primary Examiner* — Lauren D McVey

*Assistant Examiner* — Justin A Johnson

(57)

### CLAIM

The ornamental design for a staple cartridge, as shown and described.

### DESCRIPTION

FIG. 1 is a perspective view of a staple cartridge, showing our new design without surface shading according to a first embodiment;

FIG. 2 is a top plan view thereof;

FIG. 3 is a bottom plan view thereof;

FIG. 4 is a right-side elevational view thereof;

FIG. 5 is left-side elevational view thereof;

FIG. 6 is a front elevational view thereof;

FIG. 7 is a rear elevational view thereof;

FIG. 8 is a perspective view of a staple cartridge, showing our new design with surface shading according to the first embodiment;

FIG. 9 is a top plan view thereof;

FIG. 10 is a bottom plan view thereof;

FIG. 11 is a right-side elevational view thereof;

FIG. 12 is left-side elevational view thereof;

FIG. 13 is a front elevational view thereof;

FIG. 14 is a rear elevational view thereof;

FIG. 15 is a perspective view of a staple cartridge, showing our new design without surface shading according to a second embodiment;

FIG. 16 is a top plan view thereof;

FIG. 17 is a bottom plan view thereof;

FIG. 18 is a right-side elevational view thereof;

FIG. 19 is left-side elevational view thereof;

FIG. 20 is a front elevational view thereof;

FIG. 21 is a rear elevational view thereof;

FIG. 22 is a perspective view of a staple cartridge, showing our new design with surface shading according to the second embodiment;

FIG. 23 is a top plan view thereof;

FIG. 24 is a bottom plan view thereof;

FIG. 25 is a right-side elevational view thereof;

FIG. 26 is left-side elevational view thereof;

FIG. 27 is a front elevational view thereof; and,

FIG. 28 is a rear elevational view thereof.

The broken lines in the drawings illustrate portions of the staple cartridge and form no part of the claimed design.

**1 Claim, 16 Drawing Sheets**



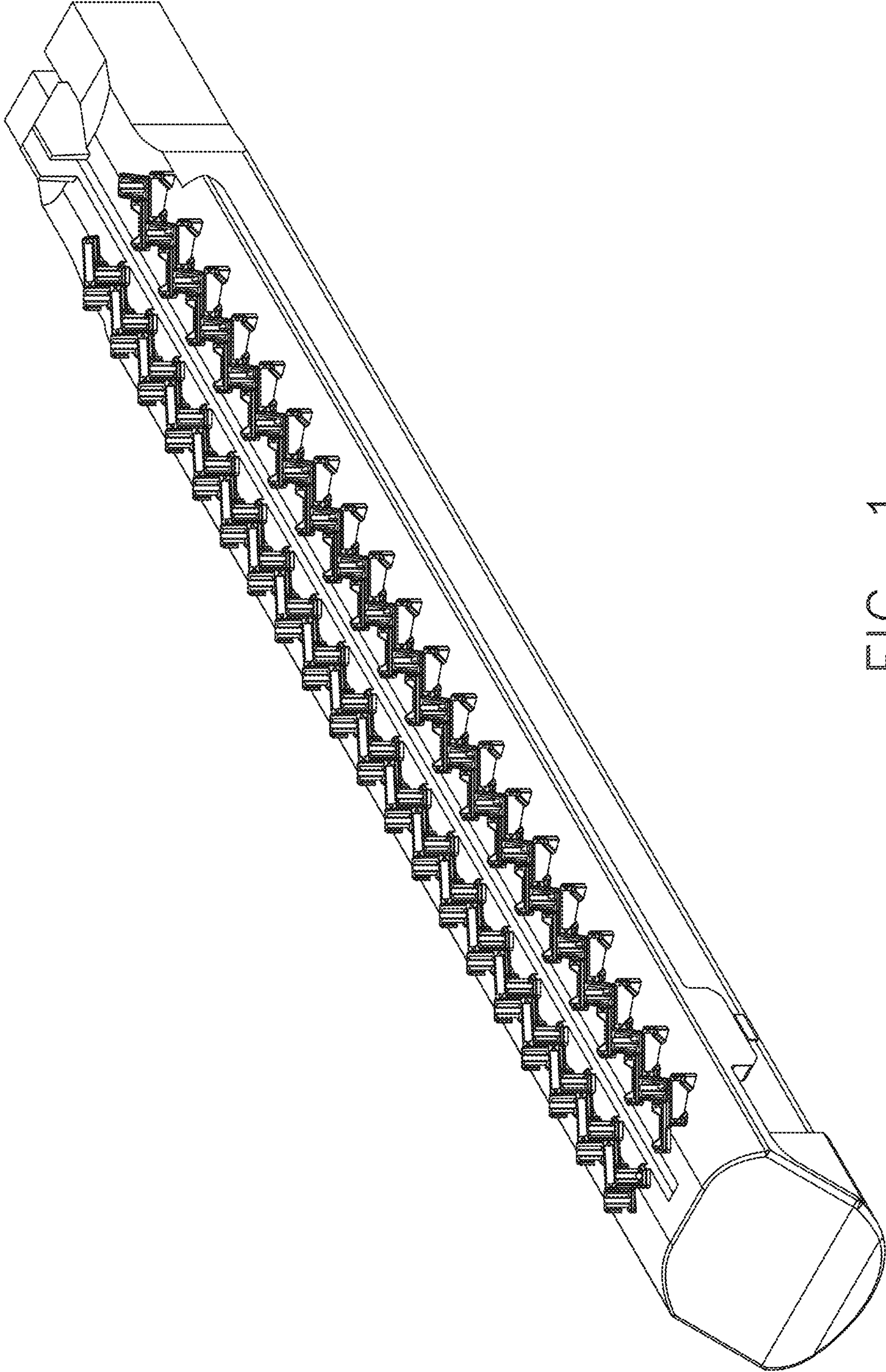


FIG. 1



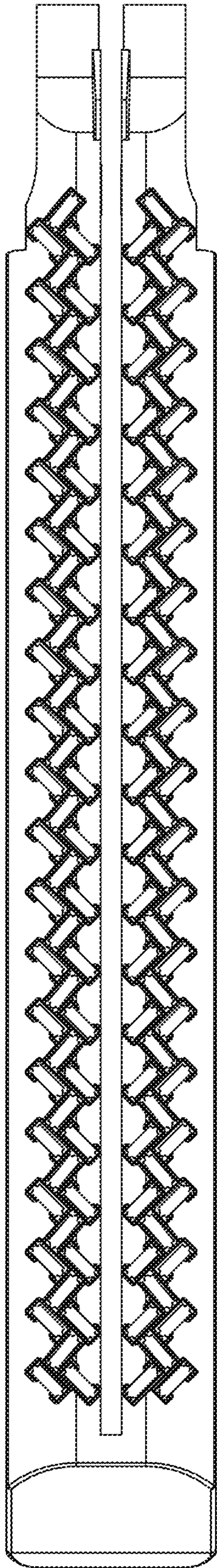


FIG. 2

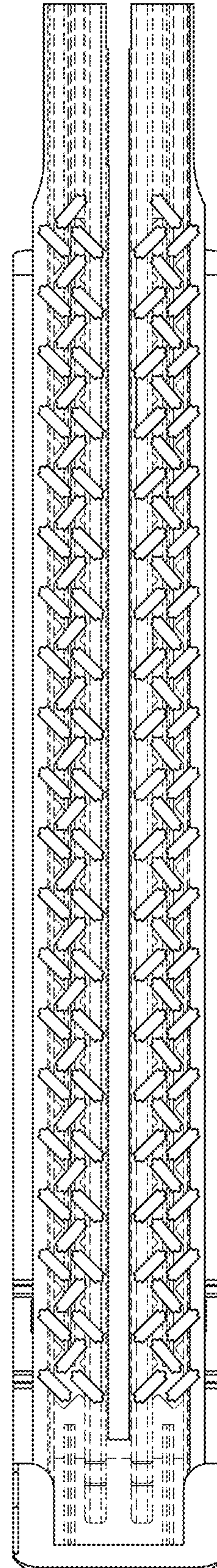


FIG. 3



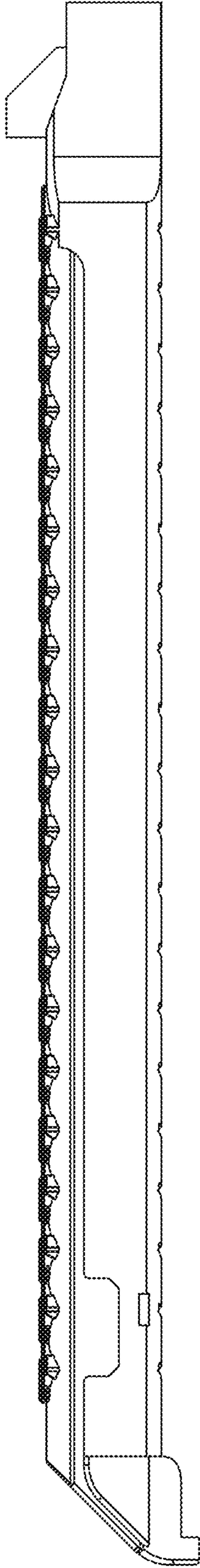


FIG. 4

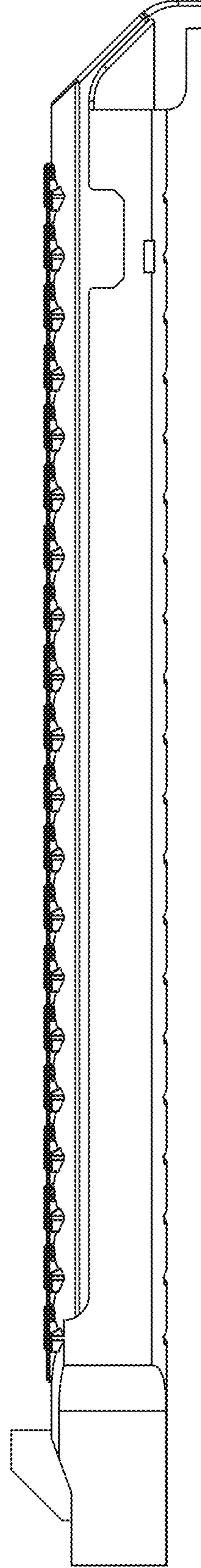


FIG. 5



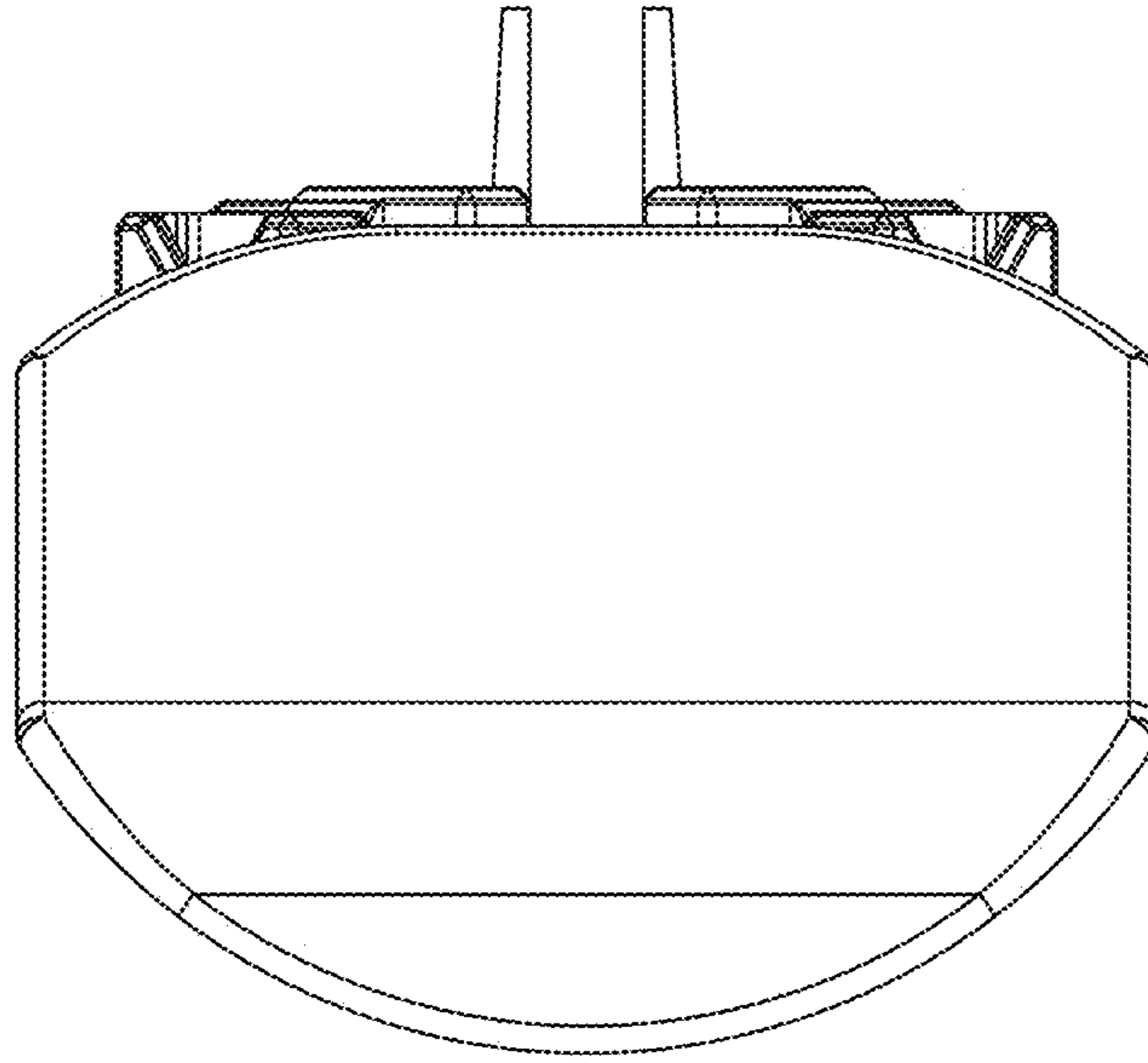


FIG. 6

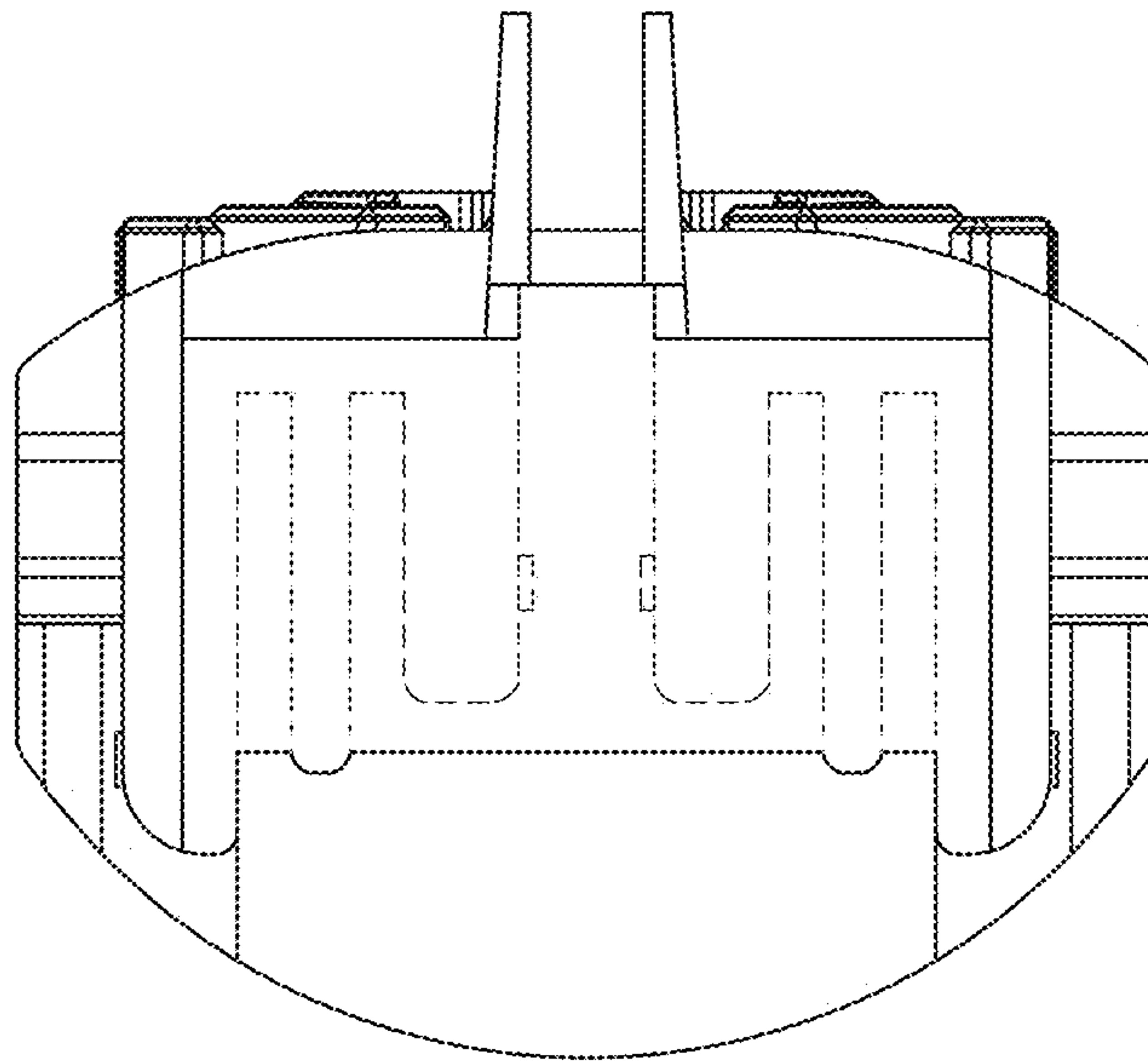


FIG. 7



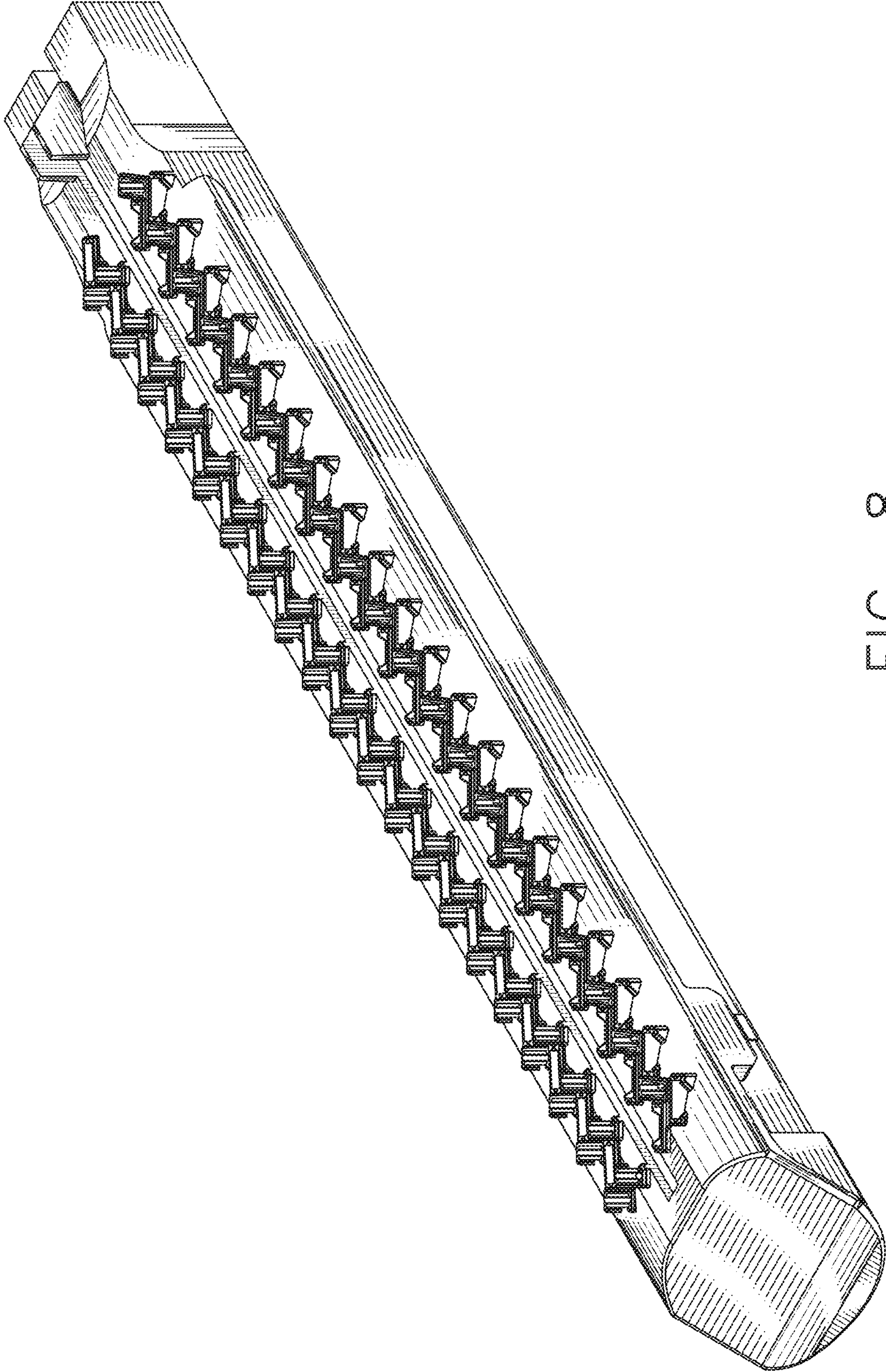


FIG. 8



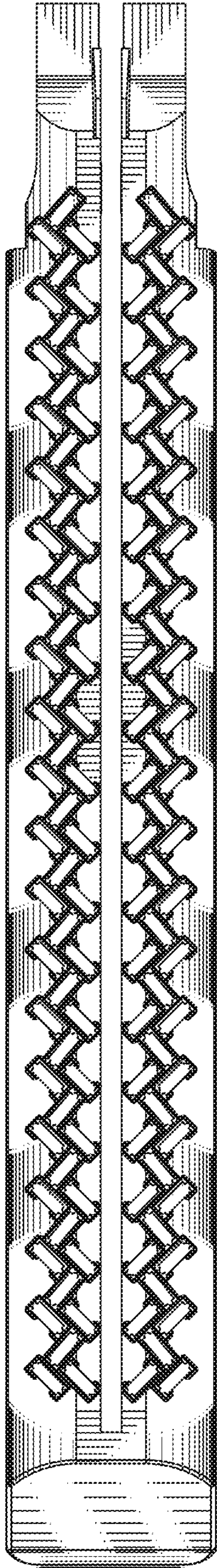


FIG. 9

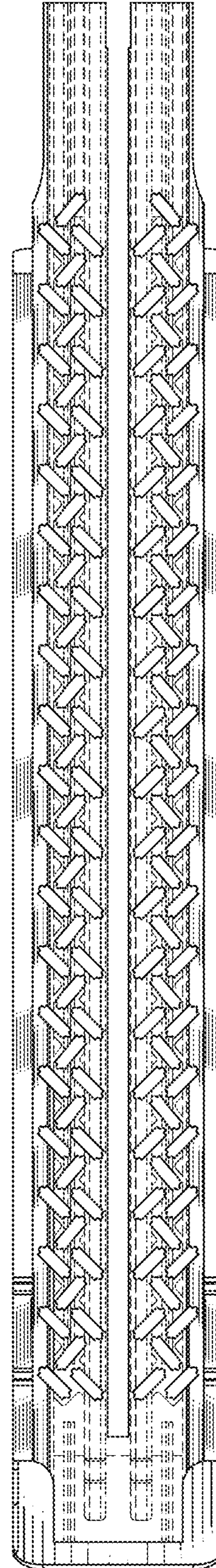


FIG. 10



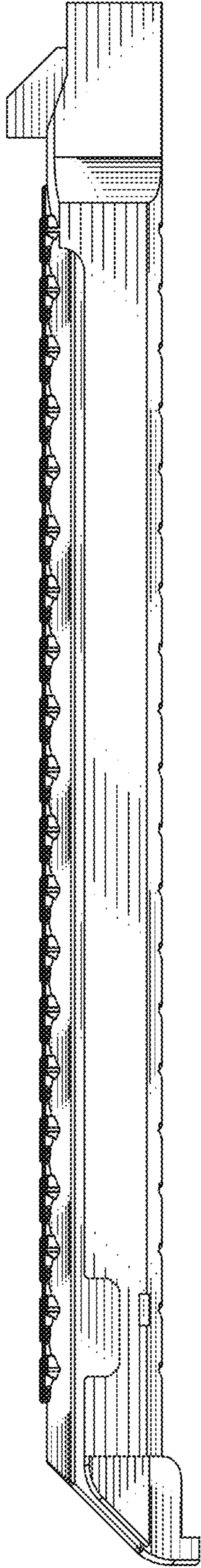


FIG. 11

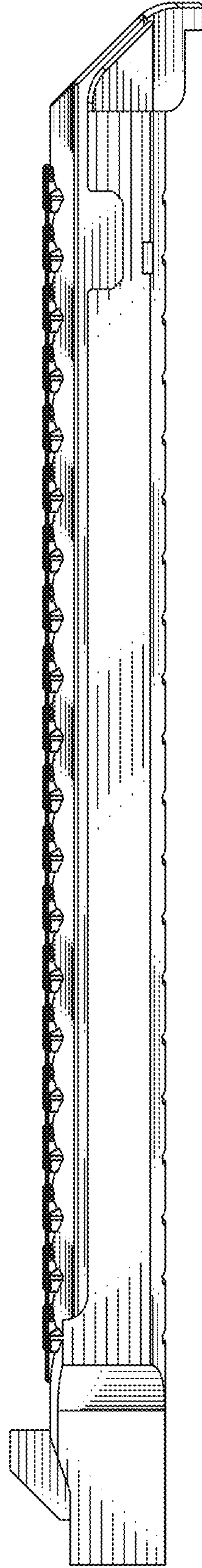


FIG. 12



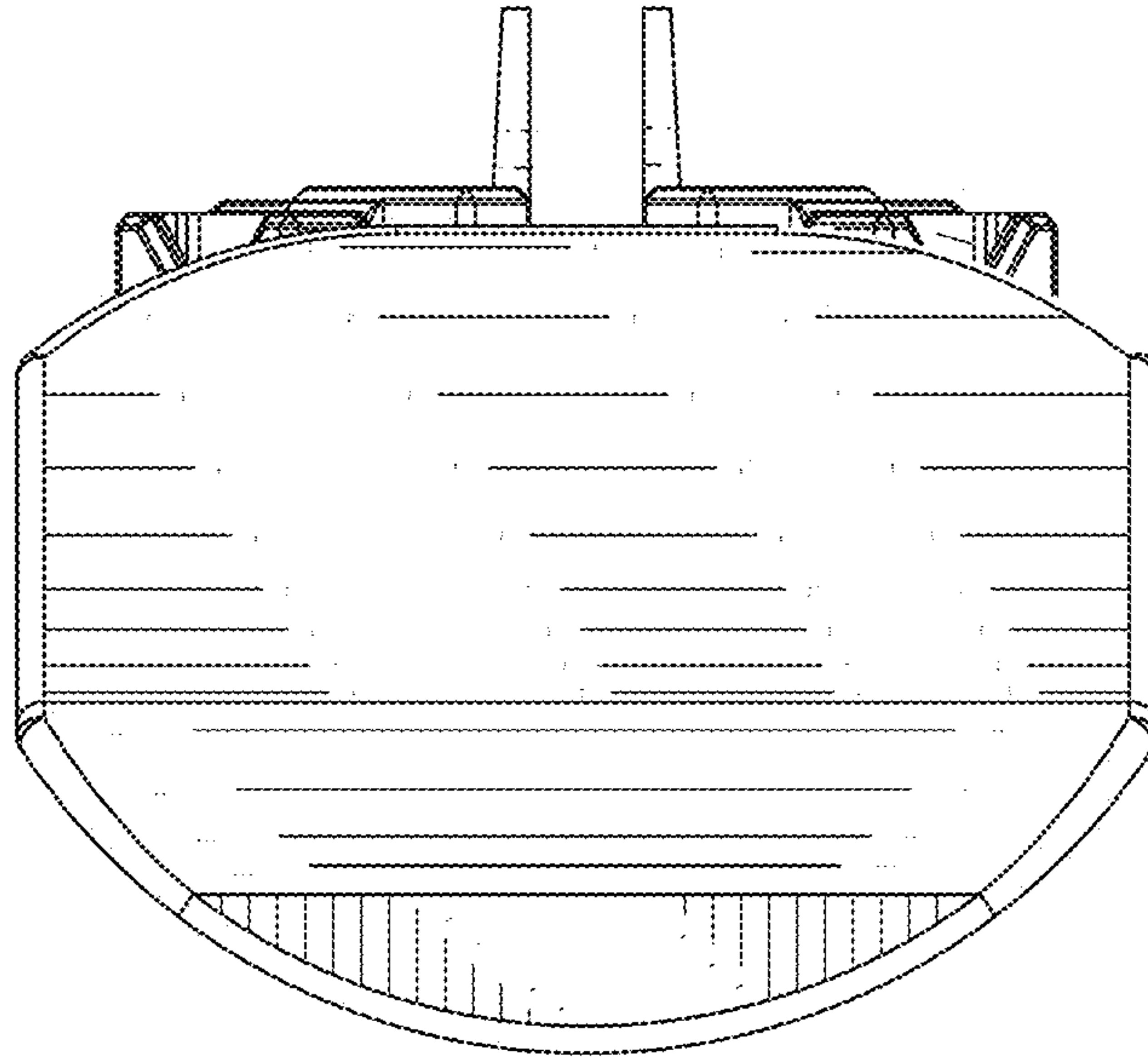


FIG. 13

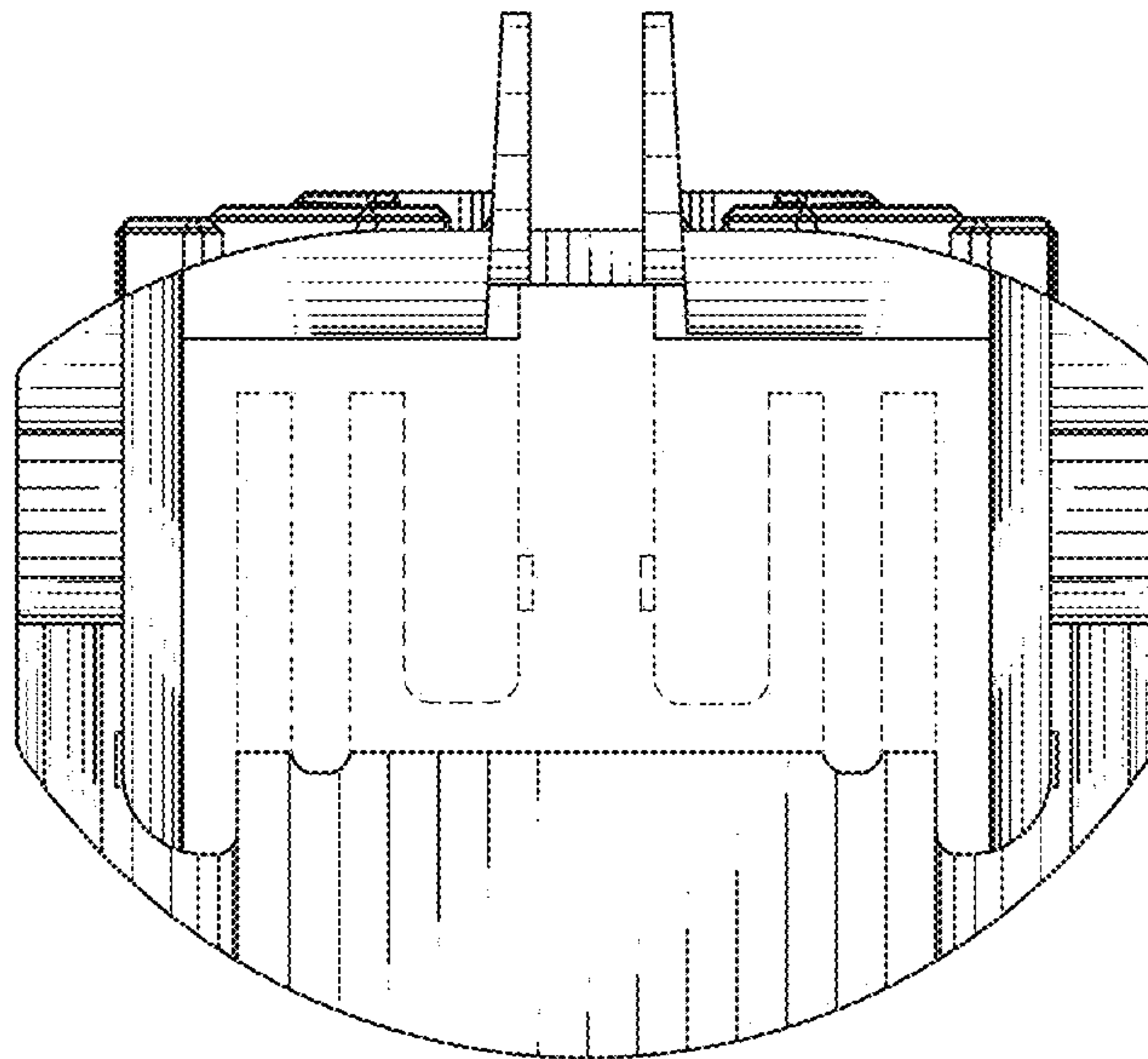


FIG. 14



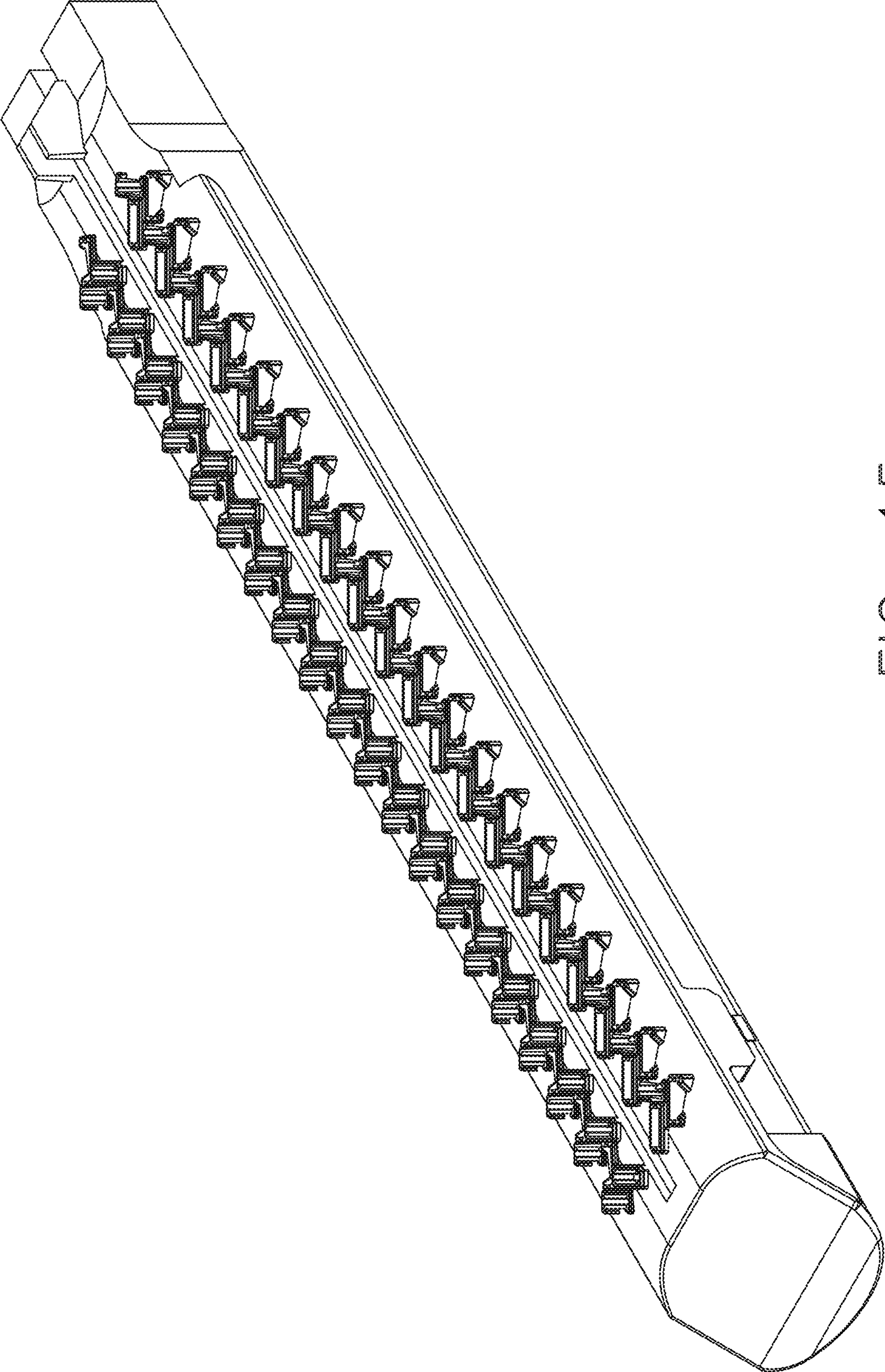


FIG. 15



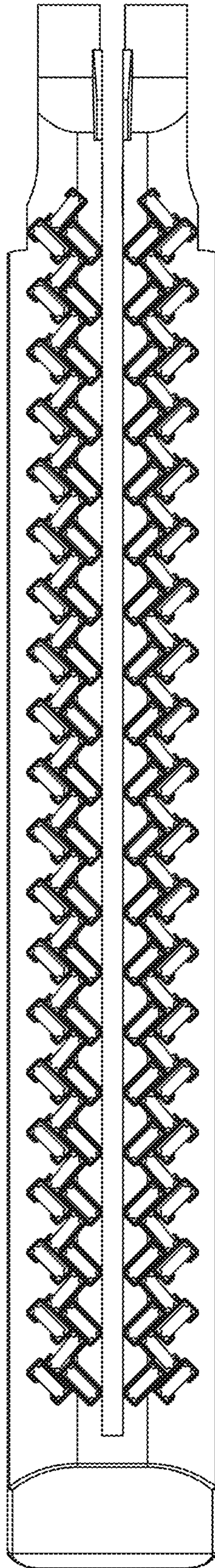


FIG. 16

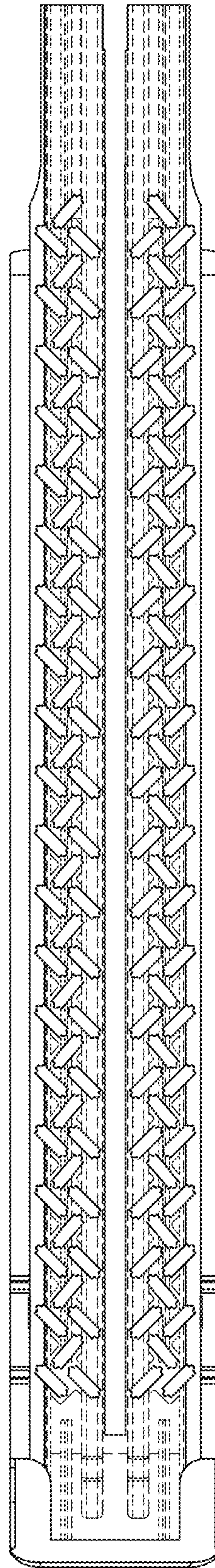


FIG. 17



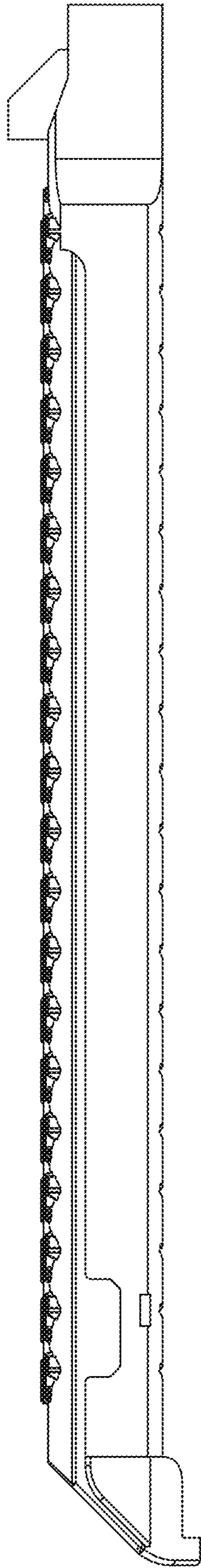


FIG. 18

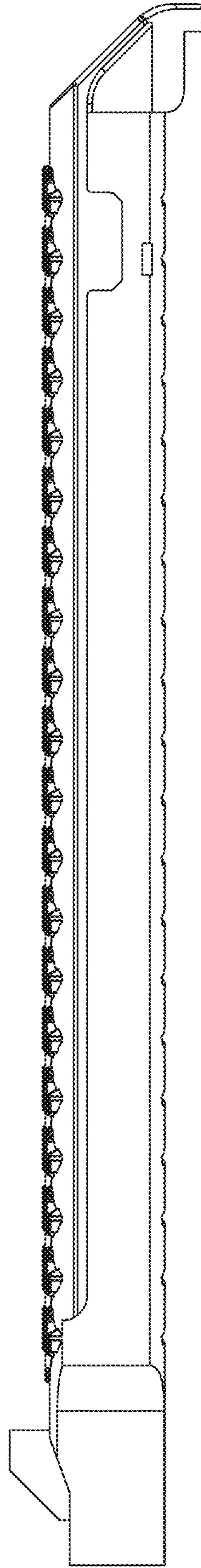


FIG. 19



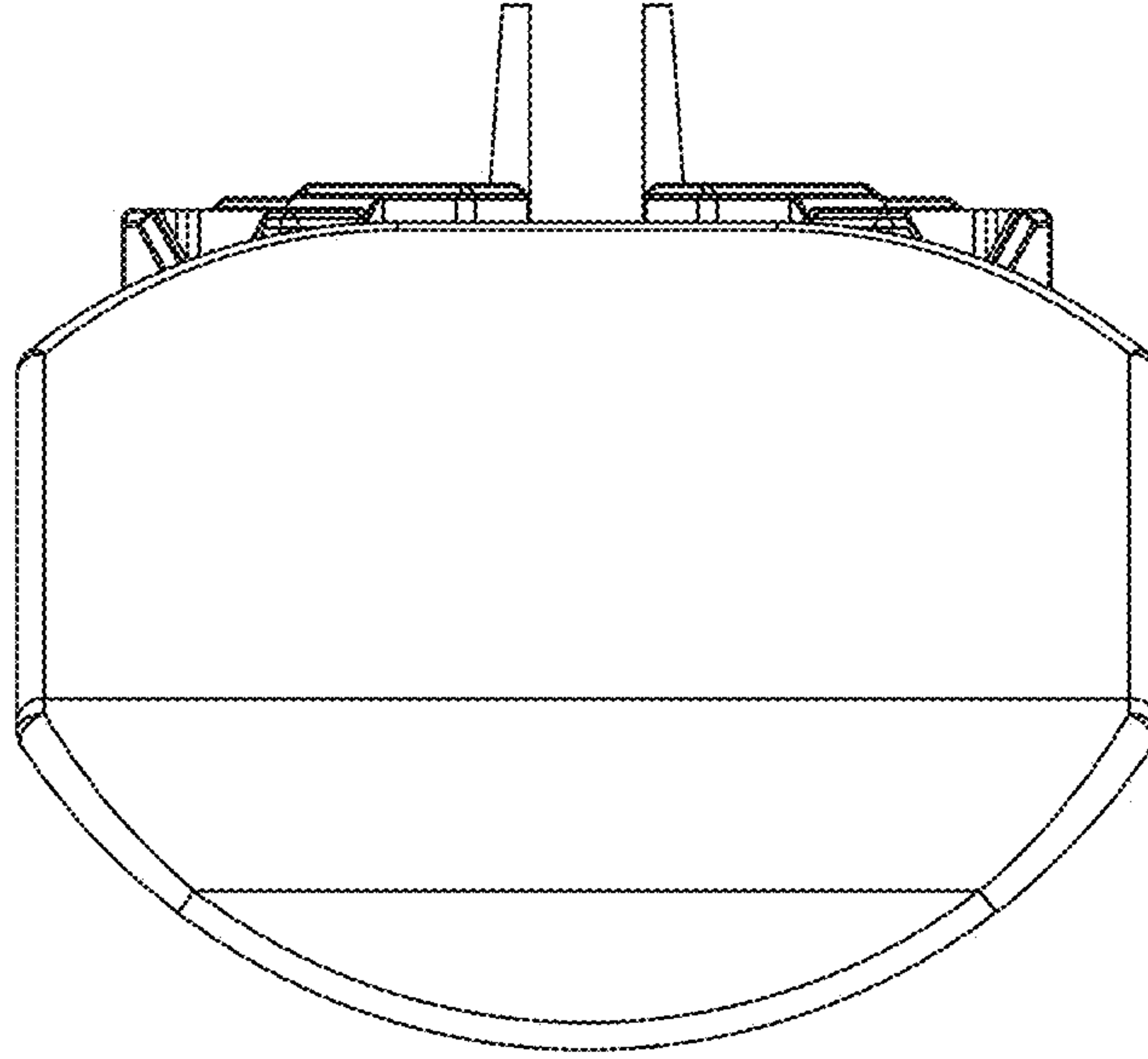


FIG. 20

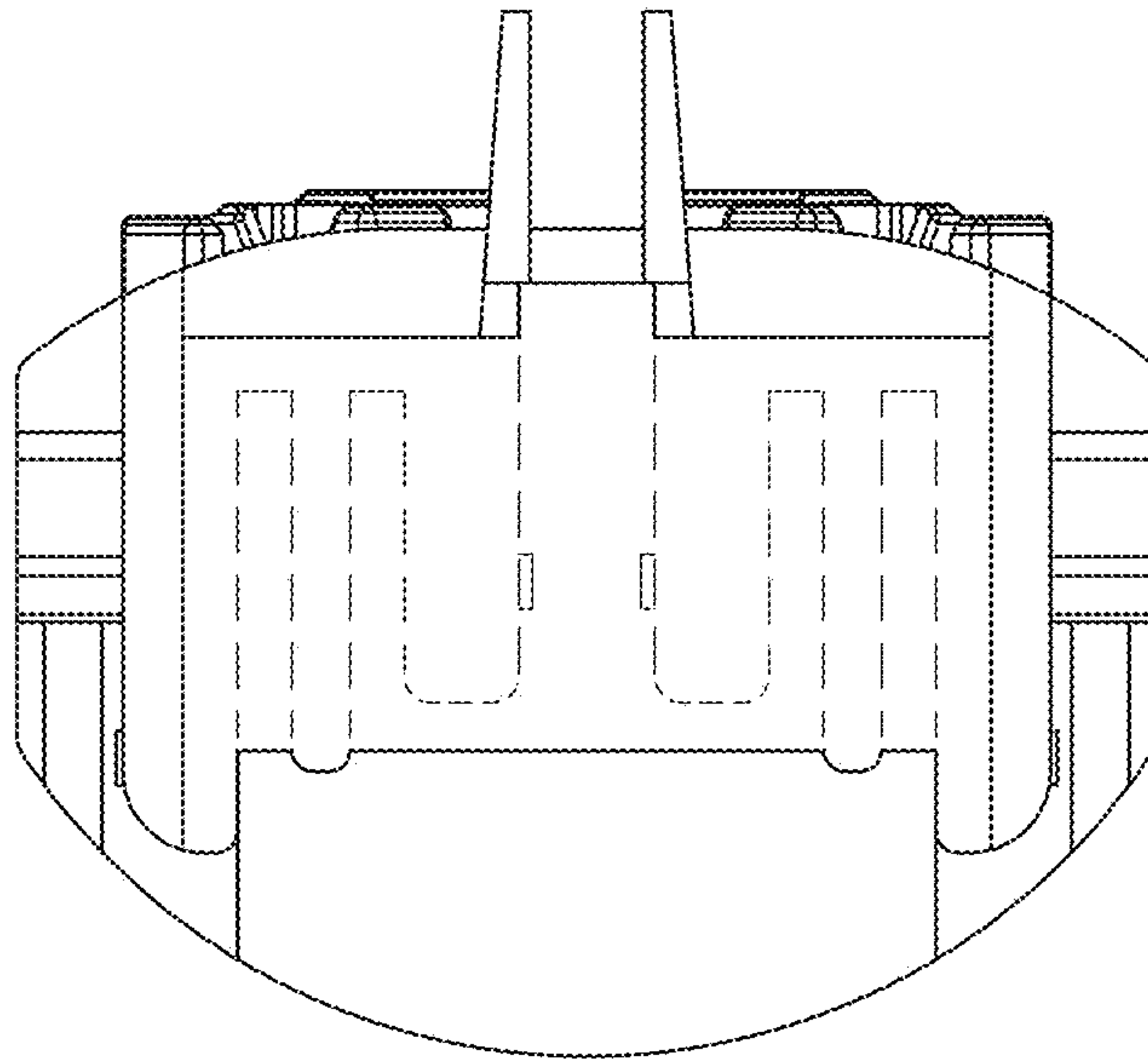


FIG. 21



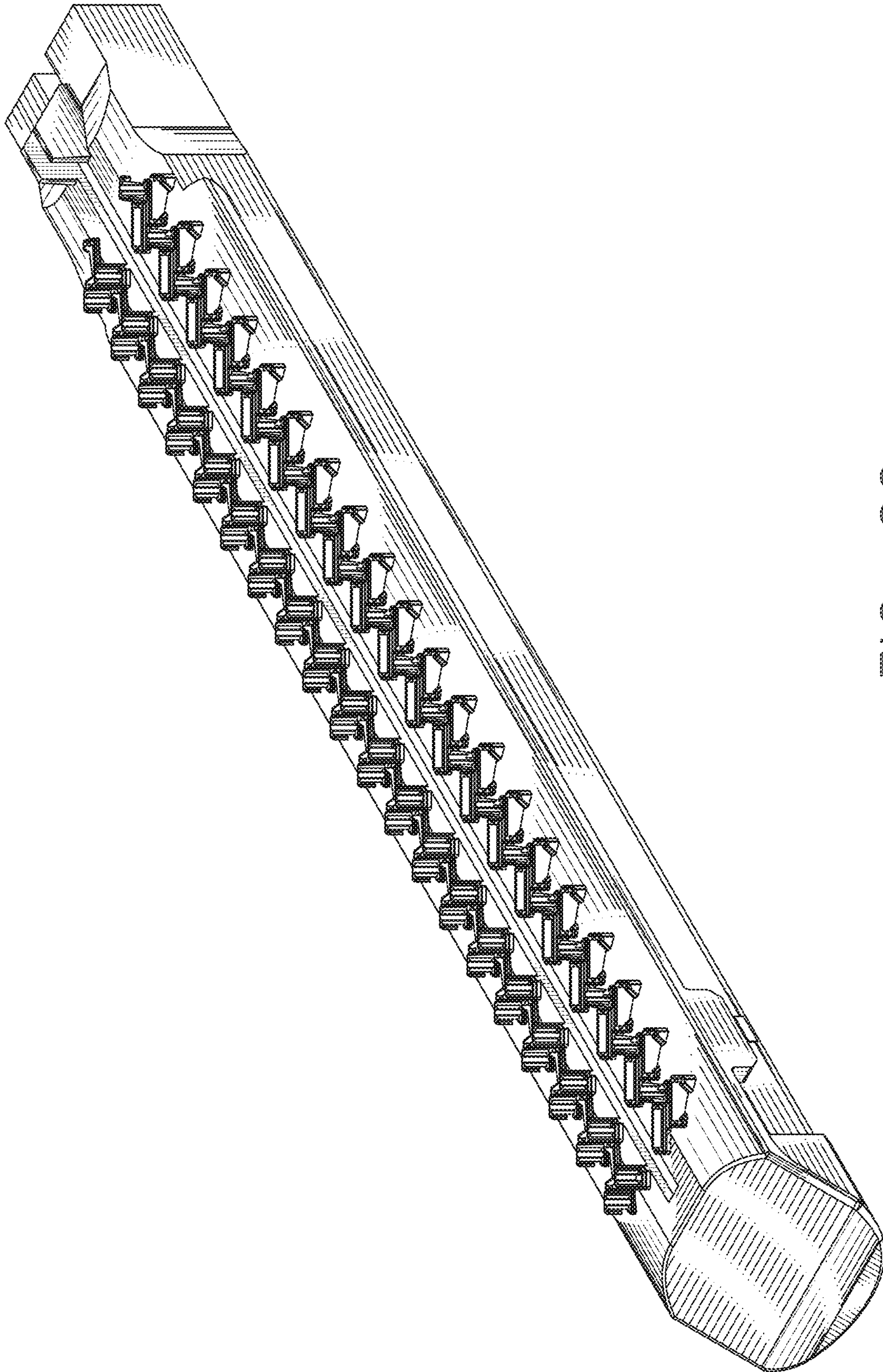


FIG. 22



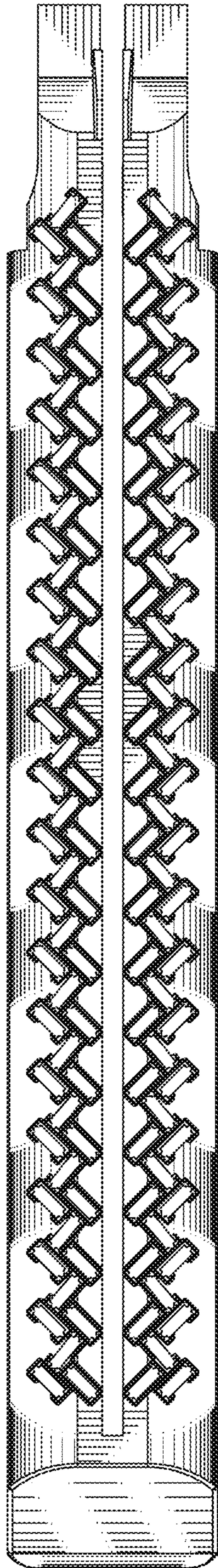


FIG. 23

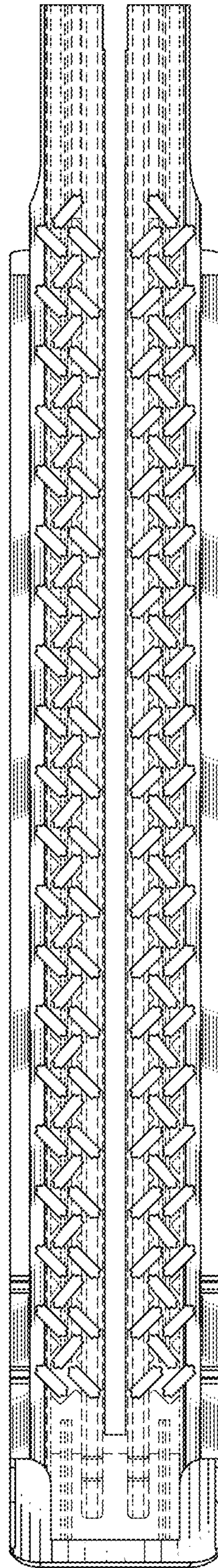


FIG. 24



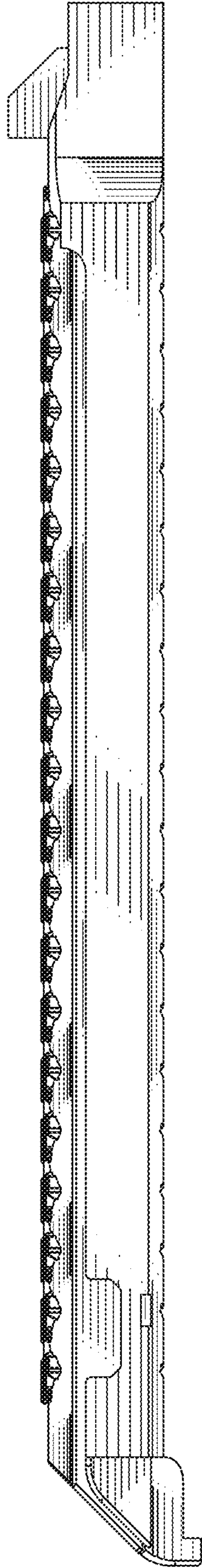


FIG. 25

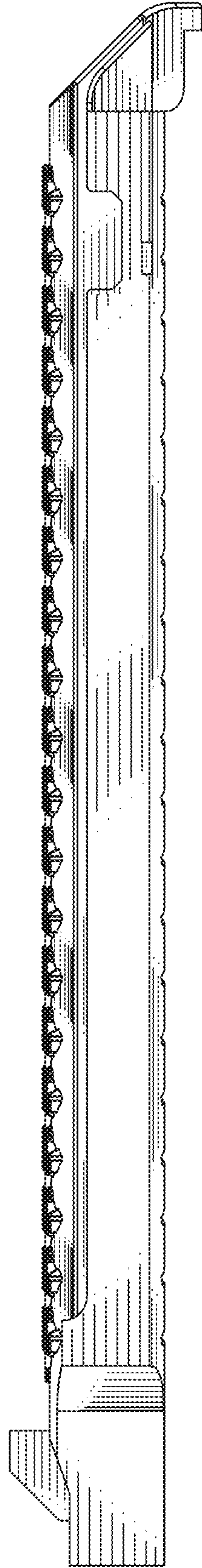


FIG. 26



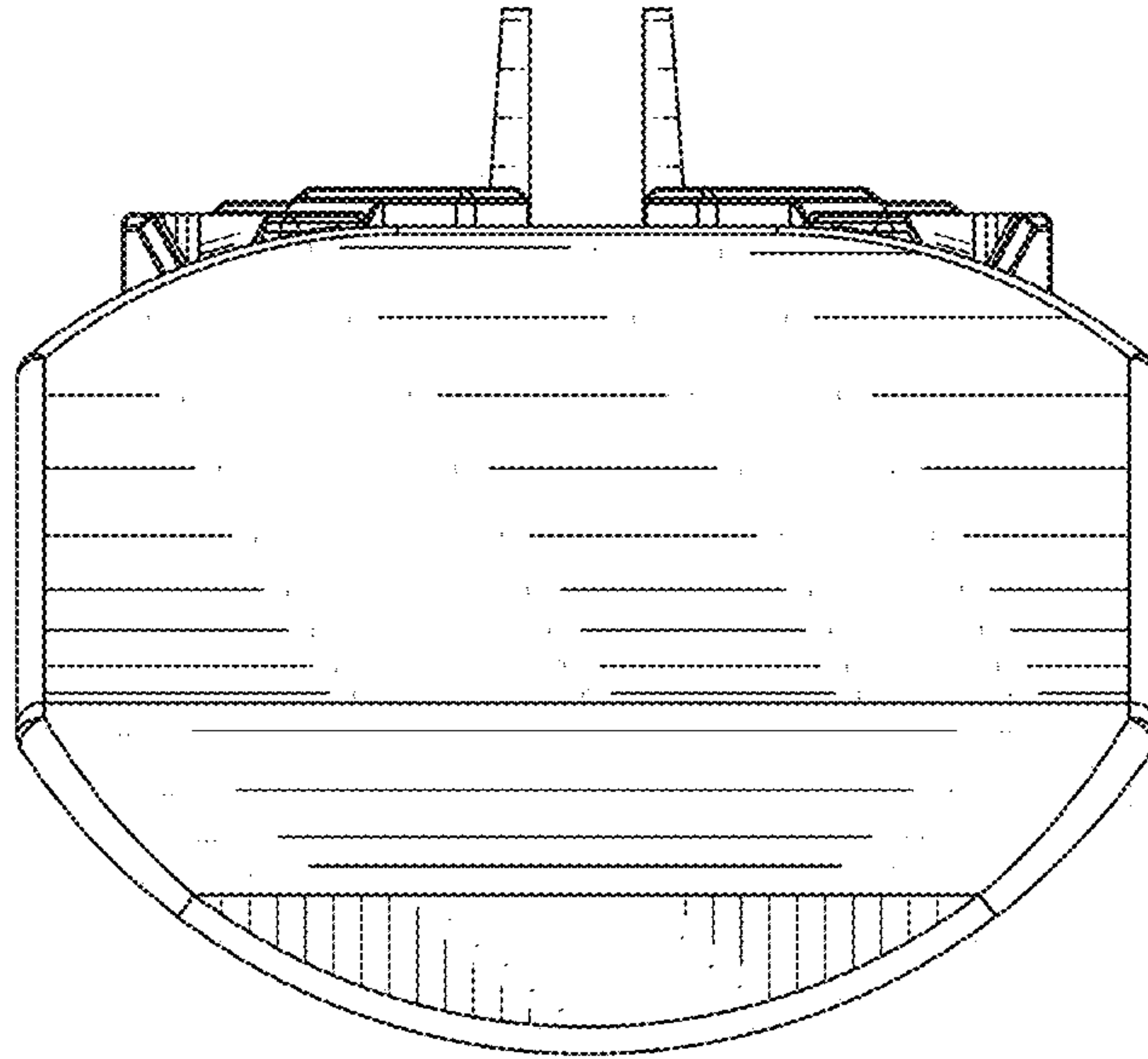


FIG. 27

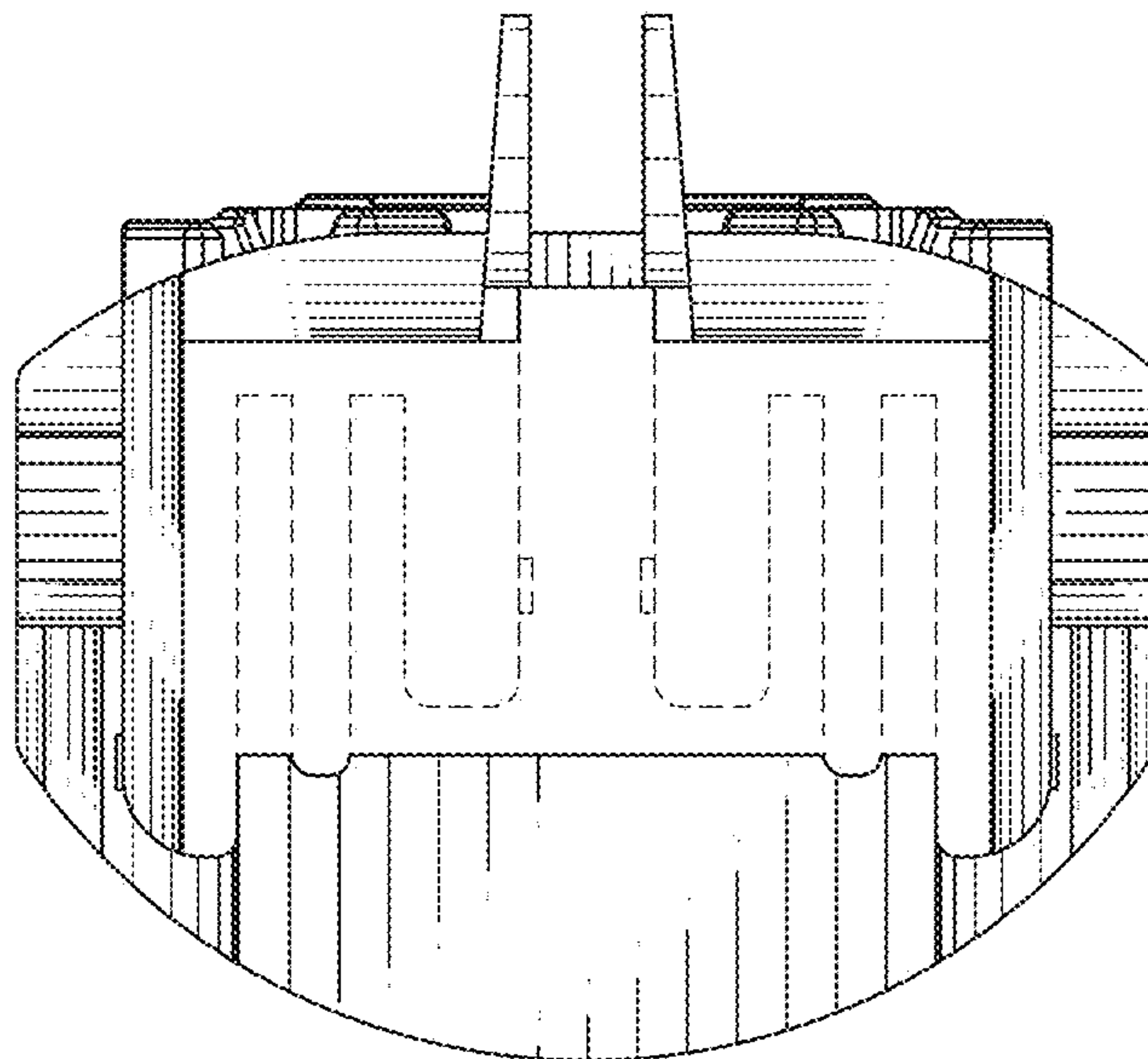


FIG. 28