



US00D975849S

(12) **United States Design Patent** (10) **Patent No.:** **US D975,849 S**
Lowsky et al. (45) **Date of Patent:** **** Jan. 17, 2023**

- (54) **TONGUE DEPRESSOR TIP**
- (71) Applicant: **ARK Therapeutic Services, Inc.**,
Columbia, SC (US)
- (72) Inventors: **Rebecca E. Lowsky**, Columbia, SC
(US); **Debra C. Lowsky**, Columbia, SC
(US)
- (73) Assignee: **ARK Therapeutic Services, Inc.**,
Columbia, SC (US)
- (**) Term: **15 Years**
- (21) Appl. No.: **29/771,500**
- (22) Filed: **Feb. 23, 2021**
- (51) **LOC (14) Cl.** **24-02**
- (52) **U.S. Cl.**
USPC **D24/136**
- (58) **Field of Classification Search**
USPC D24/136, 133, 152, 156
CPC A61B 1/24; A61B 1/0676; A61B 1/07;
A61B 13/00; A61C 5/90
See application file for complete search history.

(56) **References Cited**

U.S. PATENT DOCUMENTS

D143,662 S	1/1946	Korengold	
3,349,764 A	10/1967	Edinger et al.	
D225,784 S	1/1973	Edinger	
4,807,599 A	2/1989	Robinson et al.	
D305,797 S	1/1990	Robinson et al.	
D320,658 S *	10/1991	Quigley	D24/135
D343,235 S *	1/1994	LeVahn	D24/135
D357,533 S *	4/1995	Robinson	D24/136
D358,470 S *	5/1995	Quigley	D24/135
D370,729 S *	6/1996	Hurlburt	601/99
D372,978 S *	8/1996	Harvey	D28/99
5,553,627 A	9/1996	Newkirk	
D379,511 S *	5/1997	Von Stein	D24/119

5,897,492 A	4/1999	Feller et al.	
D430,668 S *	9/2000	Koros	D24/135
6,176,824 B1	1/2001	Davis	
D441,142 S *	4/2001	Doyscher	D24/152
D474,540 S	5/2003	Mayer et al.	

(Continued)

OTHER PUBLICATIONS

YouTube Internet Publication by TalkTools, Tongue Depressor Tip, Publication Date: May 4, 2020, [online], [retrieved on Jun. 18, 2022]. Retrieved from Internet ,<URL: <https://www.youtube.com/watch?v=cK0QLcPhFAI>>.*

(Continued)

Primary Examiner — Bridget L Eland

(74) *Attorney, Agent, or Firm* — Nelson Mullins Riley & Scarborough LLP

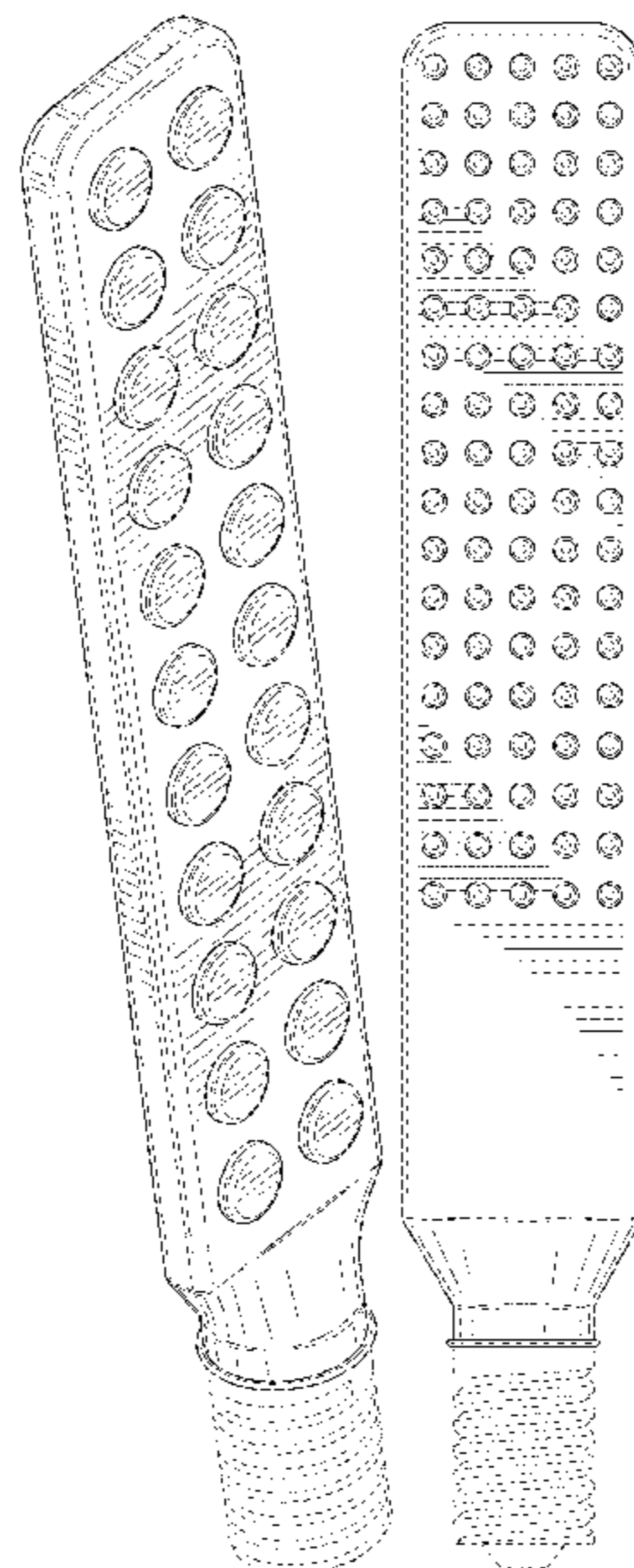
(57) **CLAIM**

The ornamental design for a tongue depressor tip, as shown and described.

DESCRIPTION

FIG. 1 is a front left perspective view of a tongue depressor tip showing our new design;
 FIG. 2 is a front side elevation view of the tongue depressor tip of FIG. 1;
 FIG. 3 is a back side elevation view of the tongue depressor tip of FIG. 1;
 FIG. 4 is a right side elevation view of the tongue depressor tip of FIG. 1;
 FIG. 5 is a left side elevation view of the tongue depressor tip of FIG. 1;
 FIG. 6 is a top plan view of the tongue depressor tip of FIG. 1; and,
 FIG. 7 is a bottom plan view of the tongue depressor tip of FIG. 1.
 The broken lines in the drawings show portions of the tongue depressor tip that form no part of the claimed design.

1 Claim, 4 Drawing Sheets



(56)

References Cited

U.S. PATENT DOCUMENTS

D479,759 S	9/2003	Johnson	
D498,845 S *	11/2004	Gray	D24/135
D502,263 S	2/2005	Feller et al.	
D538,427 S	3/2007	Costa et al.	
D594,984 S *	6/2009	Crossman	D24/152
D632,390 S	2/2011	Haberstroh	
D714,441 S *	9/2014	Lowsky	D24/152
D721,172 S	1/2015	Fallot et al.	
D721,173 S	1/2015	Nottingham et al.	
D761,424 S	7/2016	So et al.	
D819,810 S *	6/2018	Shibata	D24/135
D821,577 S *	6/2018	Shibata	D24/135
D829,899 S	10/2018	Wallis et al.	
D846,129 S	4/2019	Del Rossi	
D872,807 S *	1/2020	Lowsky	D21/455
D874,664 S *	2/2020	Lowsky	D24/194
D879,292 S *	3/2020	Freitas	D24/140
D939,705 S *	12/2021	Scherr	D24/152

OTHER PUBLICATIONS

Instagram post by arktherapeutic, published at <https://www.instagram.com/p/B89Tpi-gOzU/> on Feb. 24, 2020, all enclosed pages cited.
US Design patent application specification, drawings and filing receipt for U.S. Appl. No. 29/771,502, filed Feb. 23, 2021 (14 pages).

* cited by examiner

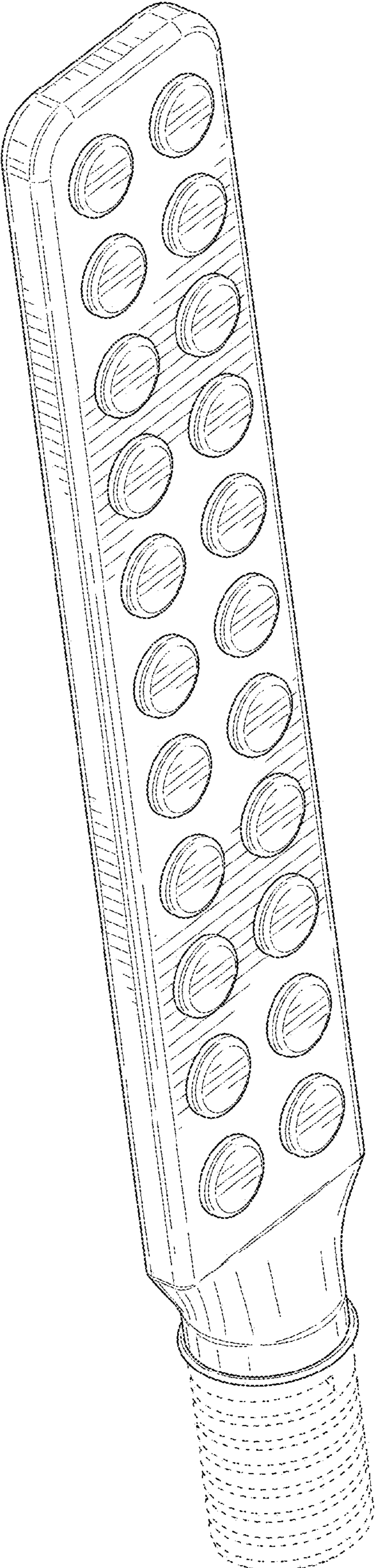


FIG. 1

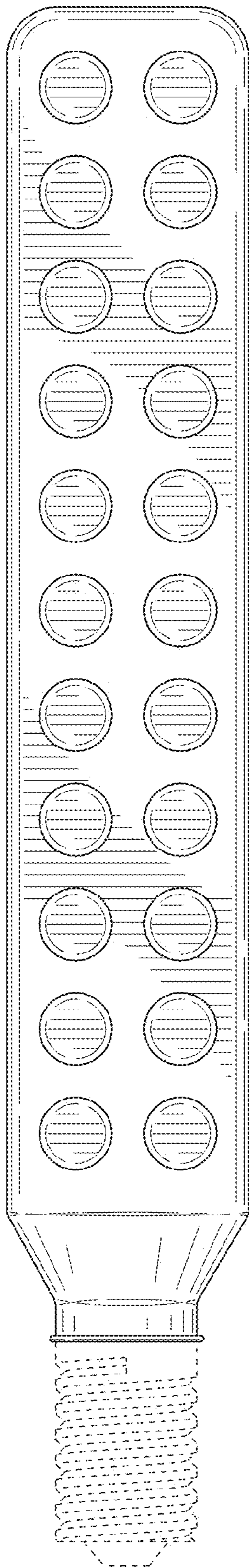


FIG. 2

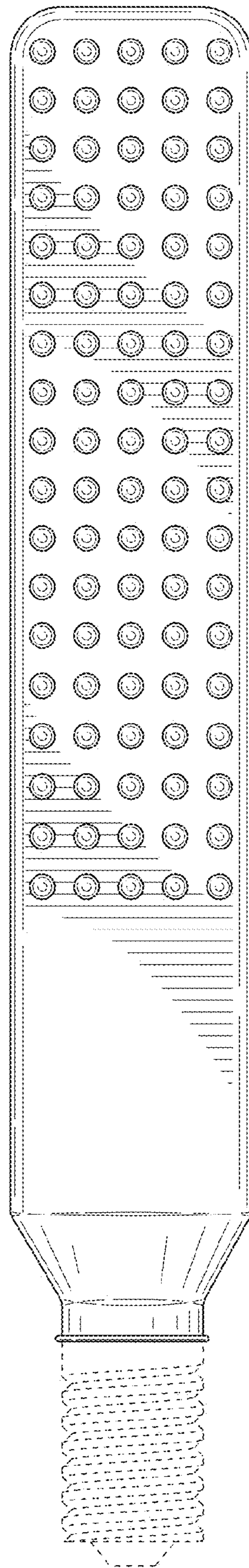


FIG. 3

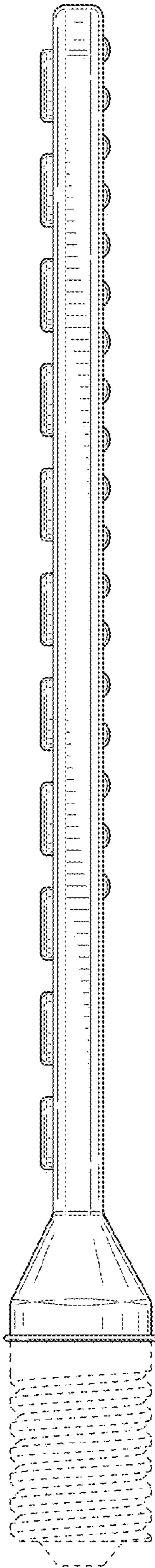


FIG. 4

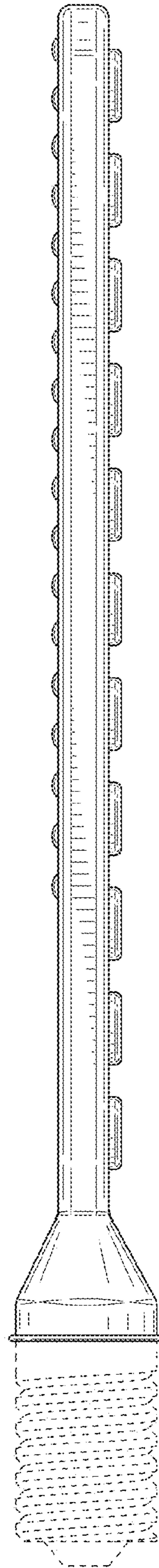


FIG. 5

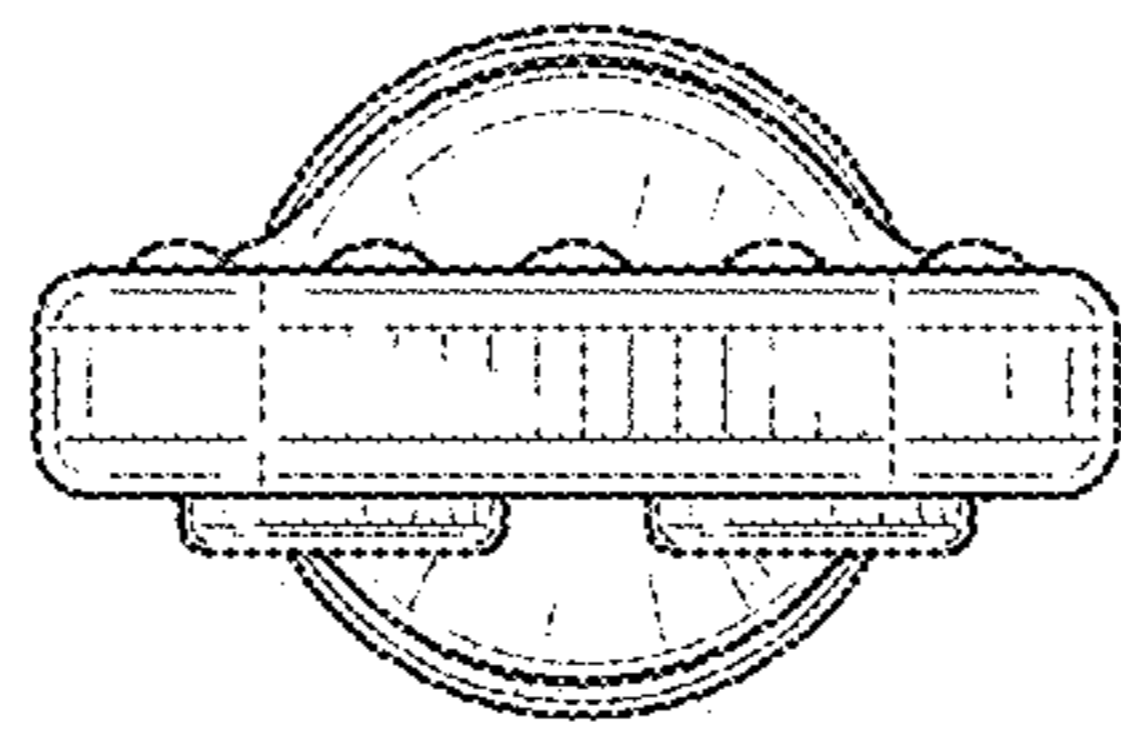


FIG. 6

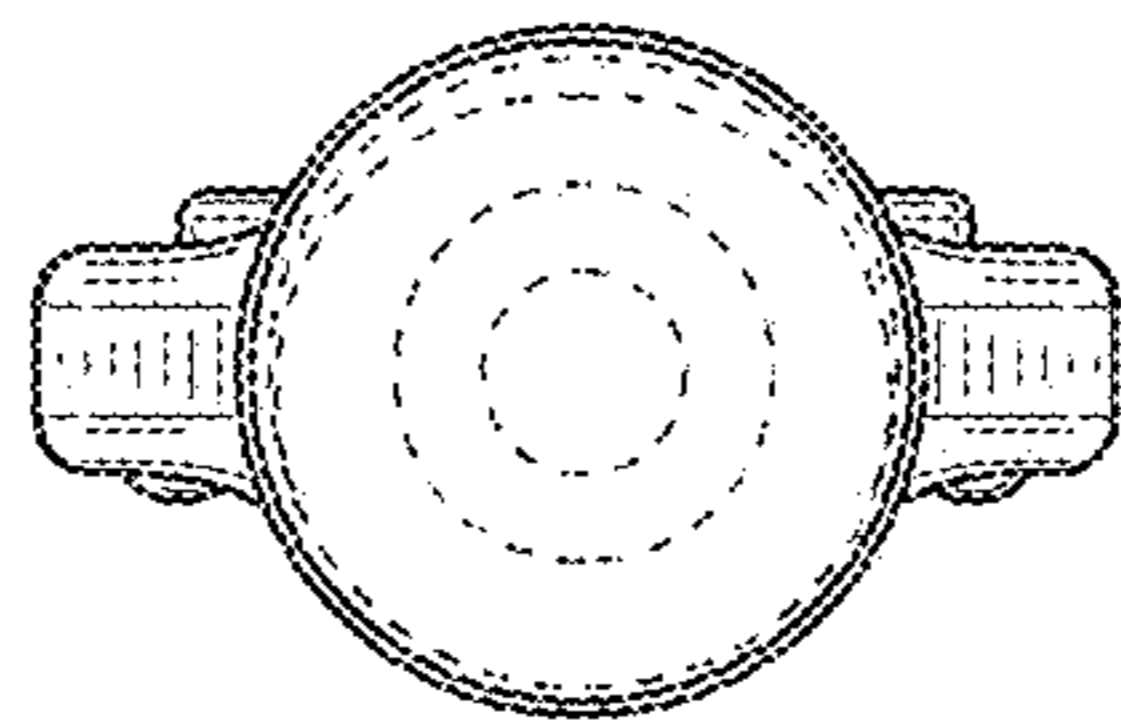


FIG. 7