



US00D975848S

(12) **United States Design Patent**
Castrogiovanni

(10) **Patent No.:** **US D975,848 S**
(45) **Date of Patent:** **** Jan. 17, 2023**

(54) **DISPOSABLE ABSORBENT PANTS WITH CONTAINMENT SYSTEM**

(71) Applicant: **Nicole Castrogiovanni**, Los Angeles, CA (US)

(72) Inventor: **Nicole Castrogiovanni**, Los Angeles, CA (US)

(**) Term: **15 Years**

(21) Appl. No.: **29/733,727**

(22) Filed: **May 6, 2020**

Related U.S. Application Data

(62) Division of application No. 35/506,709, filed on Aug. 22, 2018 (U.S. filing date under 35 U.S.C. 384), and having an international filing date of Aug. 22, 2018, now Pat. No. Des. 895,795.

(51) **LOC (14) Cl.** **24-02**

(52) **U.S. Cl.**
USPC **D24/125**

(58) **Field of Classification Search**
USPC D24/125, 126
CPC A61F 13/49; A61F 13/4942; A61F 13/565
See application file for complete search history.

(56) **References Cited**

U.S. PATENT DOCUMENTS

3,344,789 A * 10/1967 Arnold B01J 20/28023
D24/126
D222,632 S * 11/1971 Krusko D24/126

D228,034 S * 7/1973 Krusko D24/126
D693,922 S * 11/2013 Frias D24/126
D772,404 S * 11/2016 Meske D24/125
D779,660 S * 2/2017 Fites D24/126
D792,967 S * 7/2017 Moritani D24/126
D895,795 S * 9/2020 Castrogiovanni D24/125
D940,858 S * 1/2022 Graham D24/126

* cited by examiner

Primary Examiner — Eliza Z Harvey

(57) **CLAIM**

The ornamental design for a disposable absorbent pants with containment system, as shown and described.

DESCRIPTION

FIG. 1 is a perspective view of a disposable absorbent pants with containment system in accordance with one aspect of the invention.

FIG. 2 is a cross-sectional view of the disposable absorbent pants with containment system of FIG. 1 taken along the line 2-2.

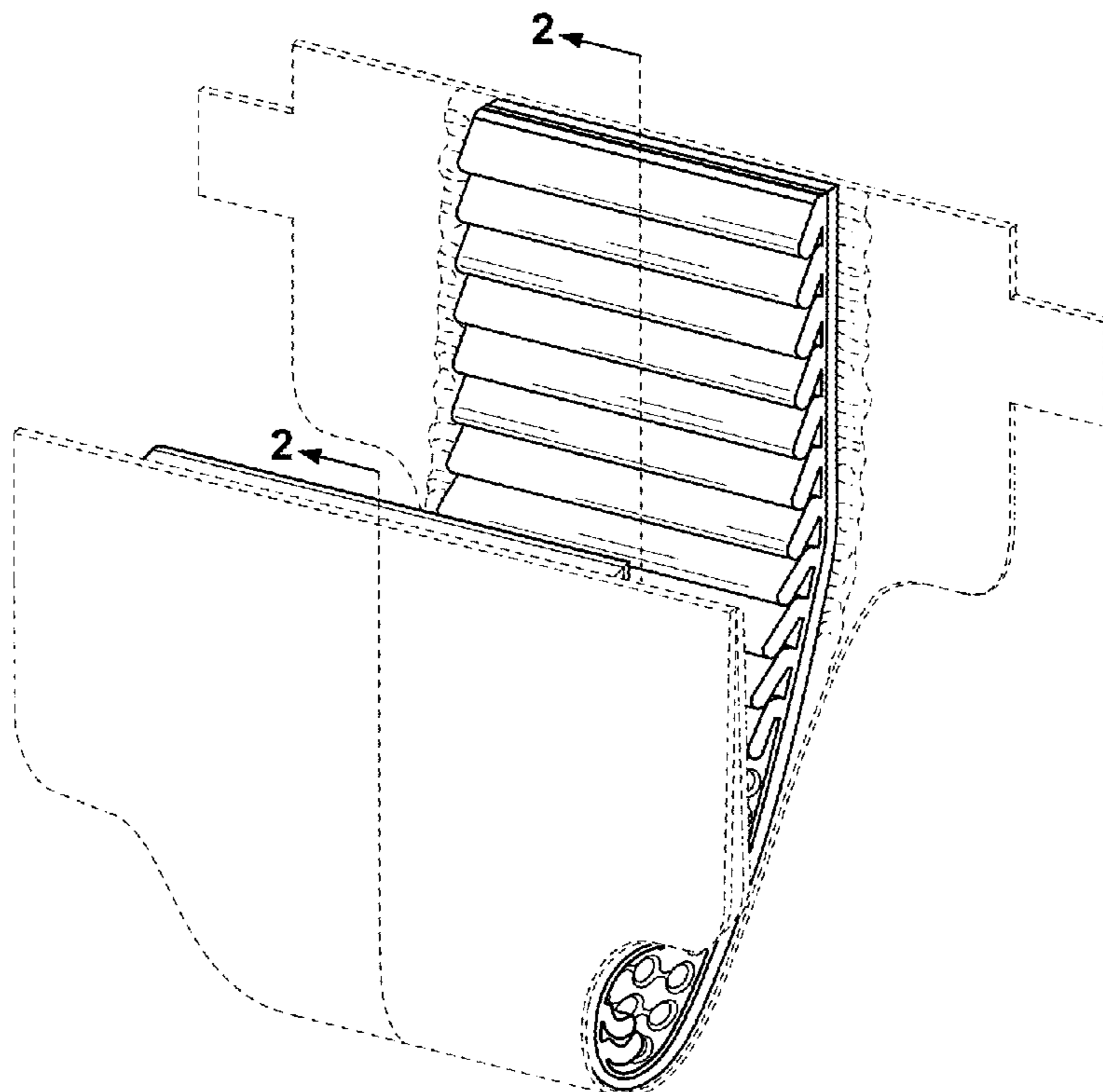
FIG. 3 is a top plan view of the disposable absorbent pants with containment system of FIG. 1.

FIG. 4 is an enlarged view of the portion of the disposable absorbent pants with containment system marked 4 in FIG. 3; and,

FIG. 5 is a cross-sectional view of the disposable absorbent pants with containment system taken along the line 5-5 in FIG. 4.

The broken lines in the drawings depict environmental subject matter and form no part of the claimed design.

1 Claim, 5 Drawing Sheets



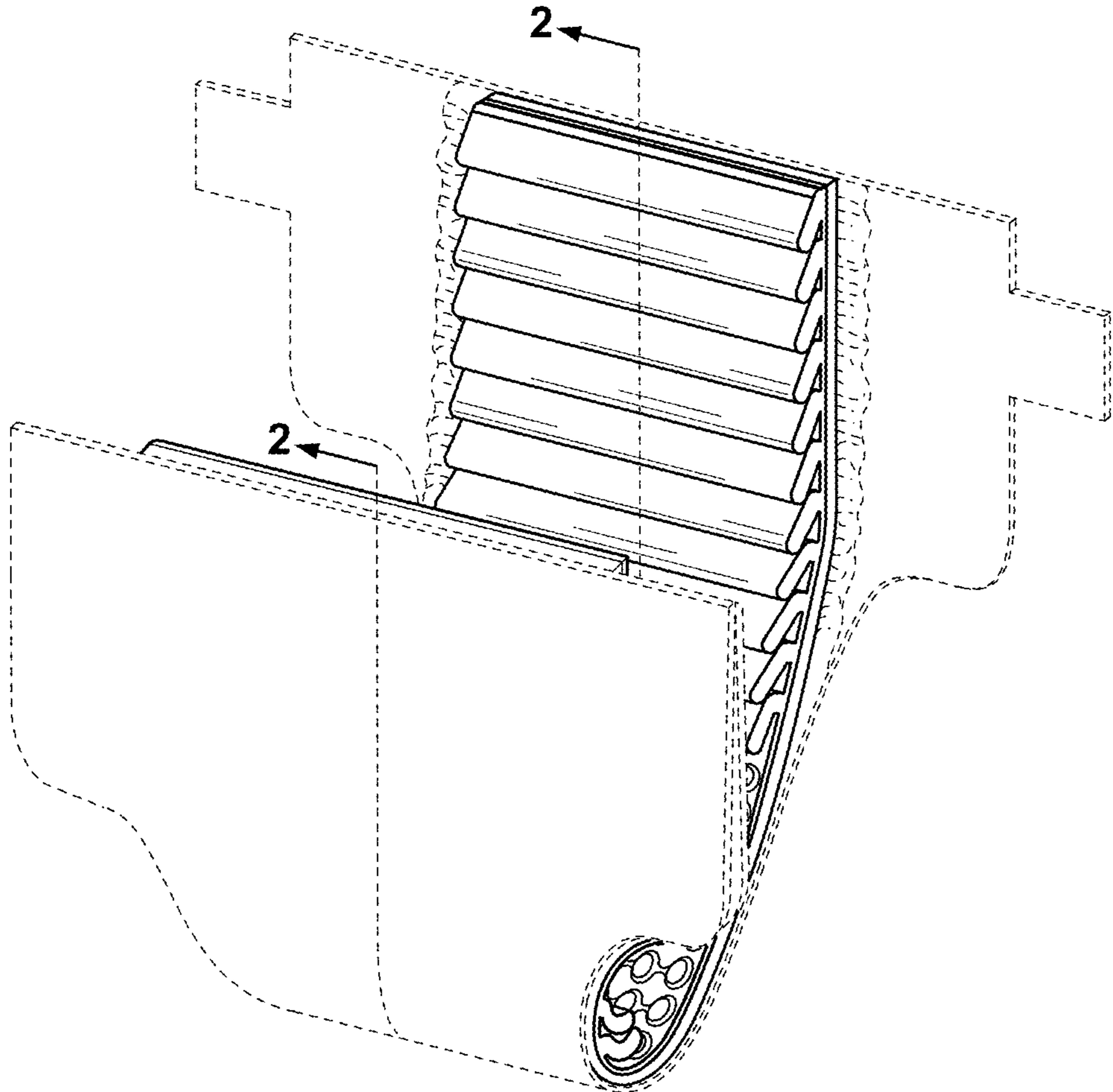


FIG. 1

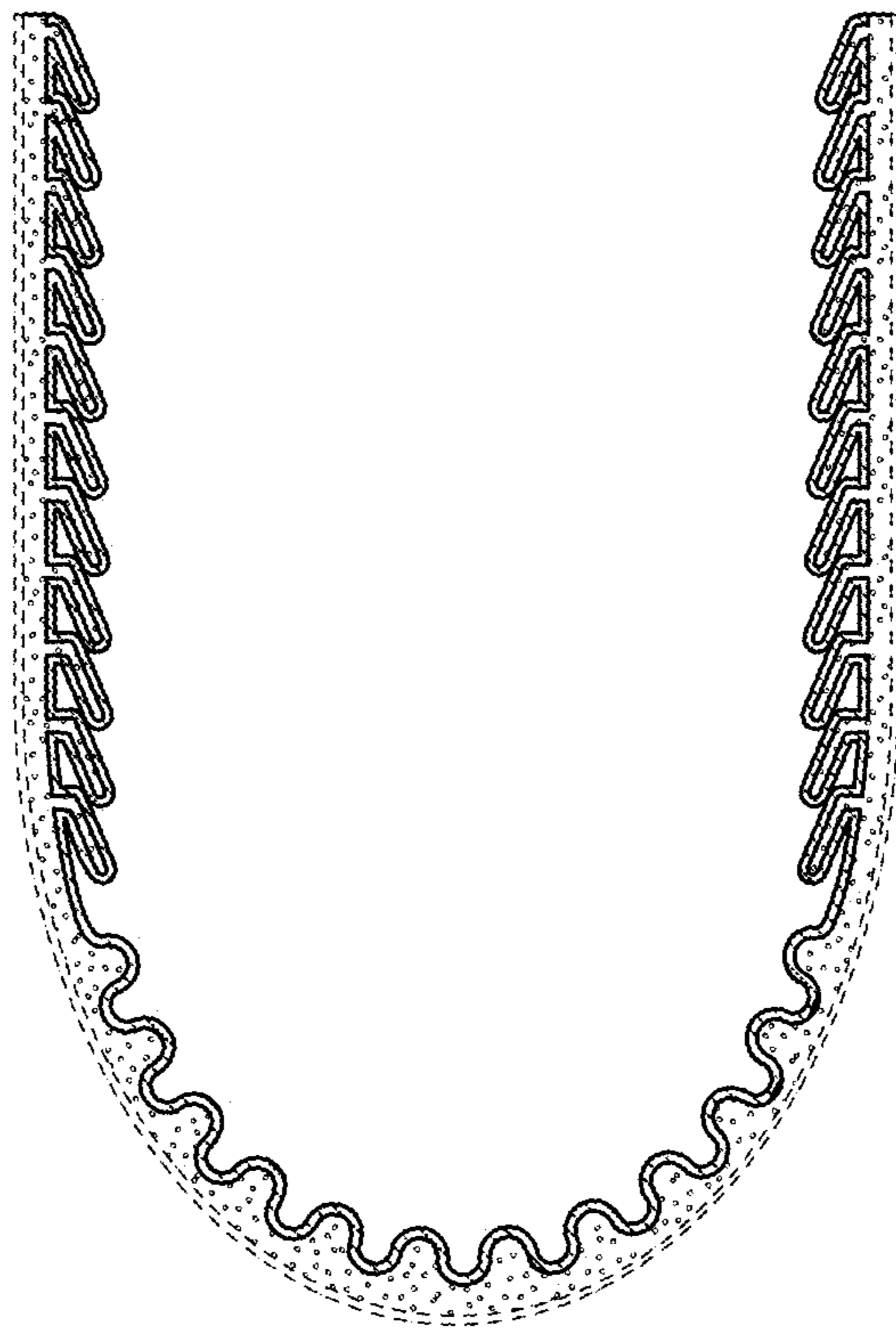


FIG. 2

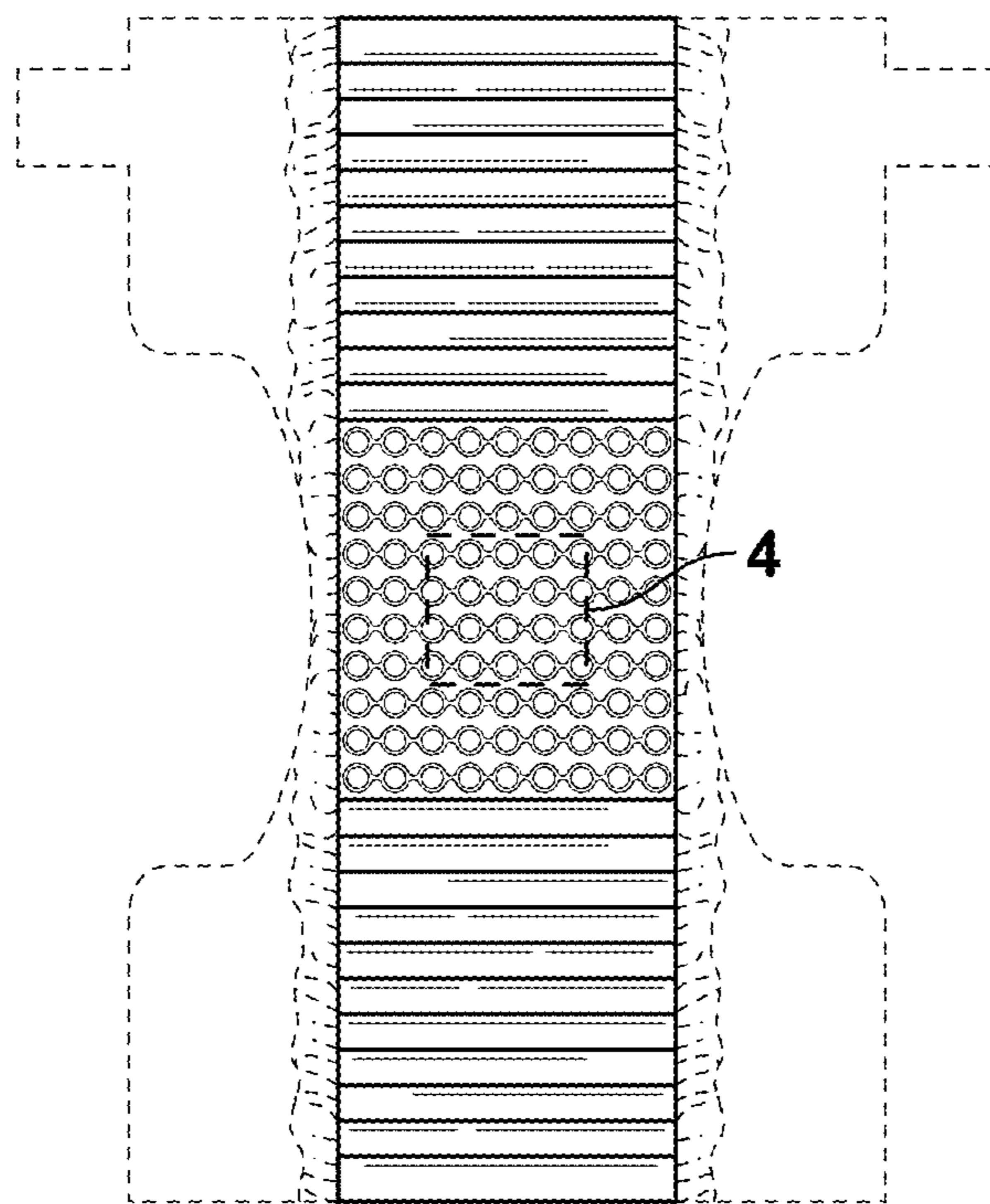


FIG. 3

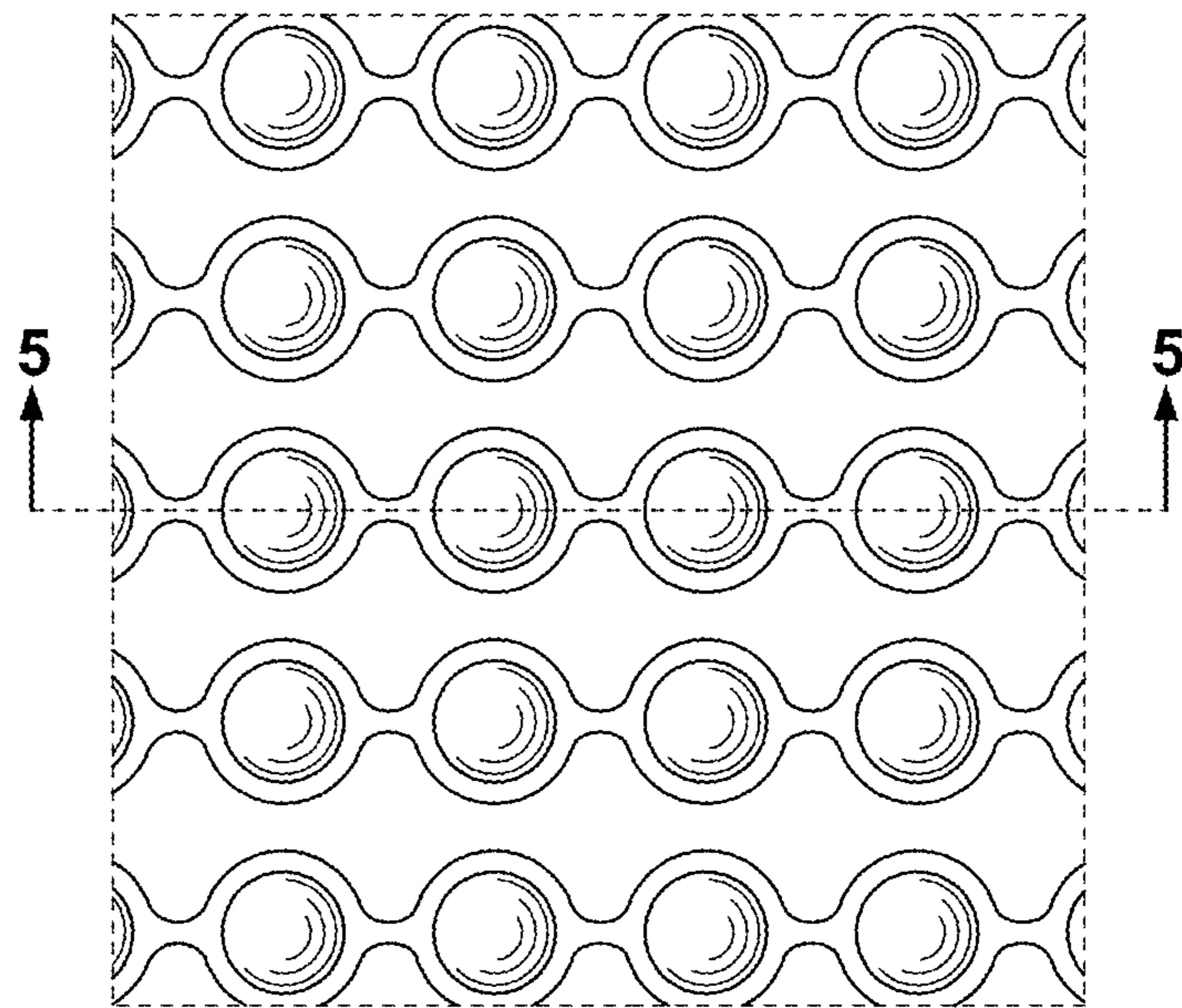


FIG. 4

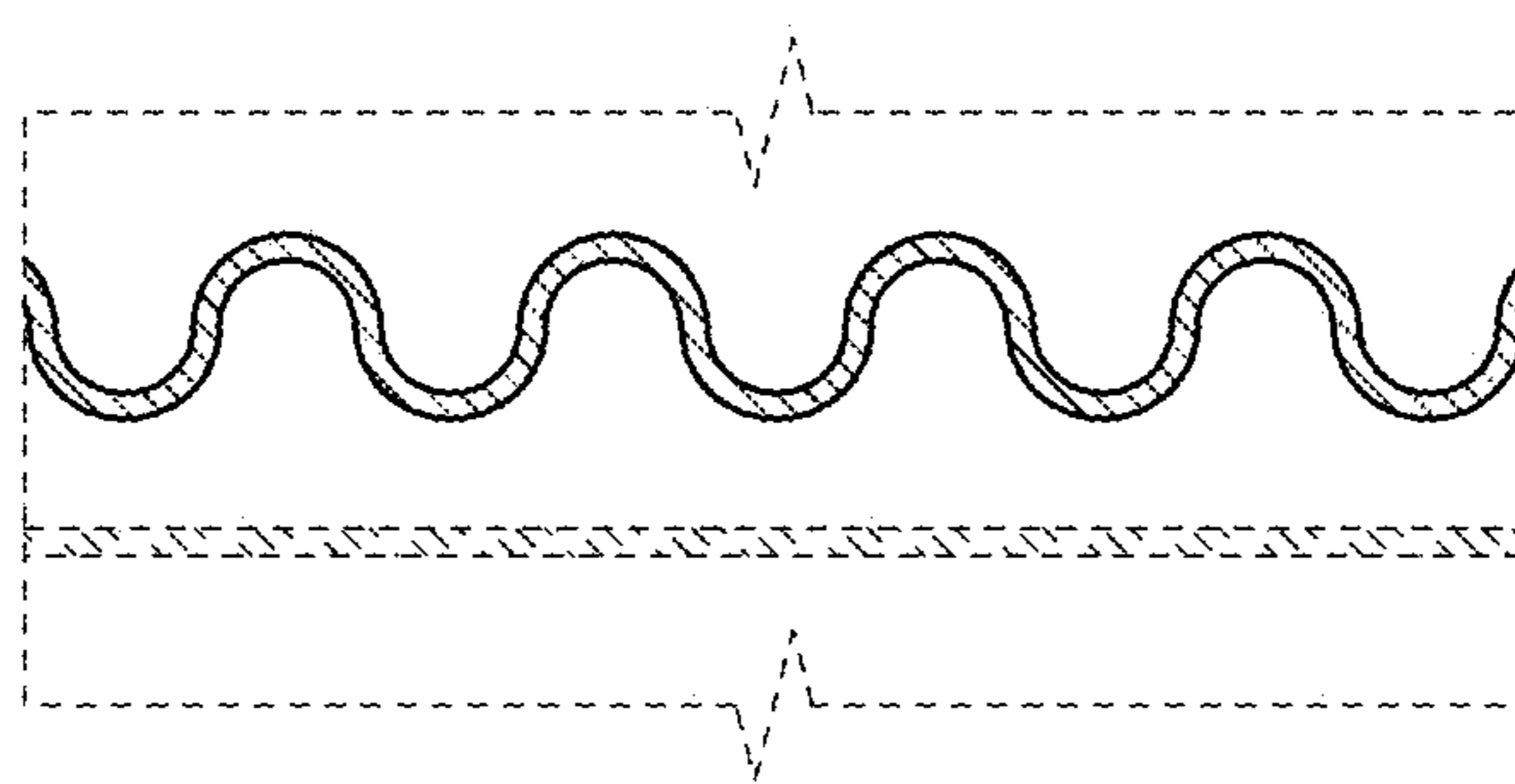


FIG. 5