



US00D975845S

(12) **United States Design Patent** (10) **Patent No.:** **US D975,845 S**  
**Kobayashi et al.** (45) **Date of Patent:** **\*\* Jan. 17, 2023**

(54) **MEDICINE ADMINISTRATION DEVICE**

FOREIGN PATENT DOCUMENTS

(71) Applicants: **HIROSAKI UNIVERSITY**, Aomori (JP); **OTSUKA PHARMACEUTICAL FACTORY, INC.**, Naruto (JP)

CA 169339 \* 2/2017  
CA 186183 \* 1/2021

(Continued)

(72) Inventors: **Tadashi Kobayashi**, Aomori (JP); **Hiroki Maita**, Aomori (JP); **Hiroyuki Kato**, Aomori (JP); **Takashi Akimoto**, Aomori (JP); **Takehito Hayashi**, Naruto (JP); **Koichi Takeda**, Naruto (JP); **Toshimitsu Terao**, Naruto (JP); **Tomoki Morita**, Naruto (JP); **Shinichiro Ito**, Naruto (JP); **Tadashi Komuro**, Ibaraki (JP); **Teruyuki Iwama**, Ibaraki (JP)

OTHER PUBLICATIONS

LSR in Wearable Smart Health Monitoring and Drug Delivery Devices, LSR, [Postdate unknown], [Site seen Jul. 26, 2022], Seen at URL: <https://www.simtec-silicone.com/lsr-in-wearable-smart-health-monitoring-and-drug-delivery-devices/> (Year: 2022).\*

(Continued)

*Primary Examiner* — Natasha Vujcic  
*Assistant Examiner* — Gilbert B Ford

(73) Assignees: **HIROSAKI UNIVERSITY**, Aomori (JP); **OTSUKA PHARMACEUTICAL FACTORY, INC.**, Tokushima (JP)

(74) *Attorney, Agent, or Firm* — Nixon & Vanderhye PC

(\*\*) Term: **15 Years**

(57) **CLAIM**

(21) Appl. No.: **29/764,255**

The ornamental design for a medicine administration device, as shown and described.

(22) Filed: **Dec. 29, 2020**

**DESCRIPTION**

(30) **Foreign Application Priority Data**

Jul. 1, 2020 (JP) ..... 2020-013458  
Jul. 1, 2020 (JP) ..... 2020-013459

(51) **LOC (14) Cl.** ..... **24-02**

(52) **U.S. Cl.**  
USPC ..... **D24/112**

(58) **Field of Classification Search**  
USPC ..... D24/144, 129, 130, 112, 113, 127, 128, D24/114

(Continued)

FIG. 1 is a perspective 1 view of an embodiment of a medicine administration device showing our new design; FIG. 2 is a perspective 2 view thereof; FIG. 3 is a front view thereof; FIG. 4 is a back view thereof; FIG. 5 is a top view thereof; FIG. 6 is a bottom view thereof; FIG. 7 is a right view thereof; the left view thereof being a symmetrical image; FIG. 8 is a sectional view along the line shown in FIG. 4; FIG. 9 is a right view shown in a usage state; and, FIG. 10 is another right view shown in a usage state, but without the bottom base for ease of illustration. The broken lines in the drawings illustrate portions of the medicine administration device and form no part of the claimed design.

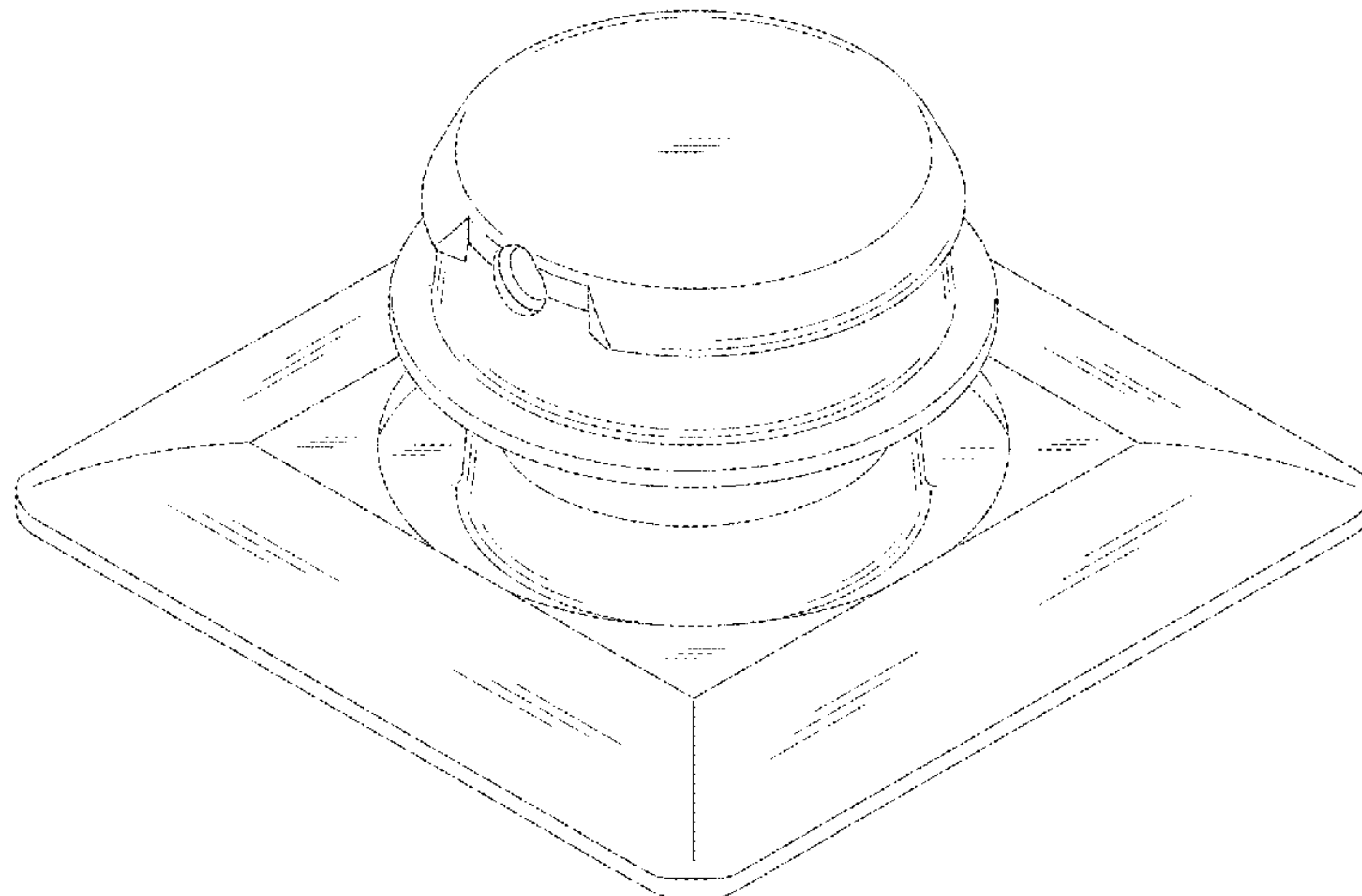
(56) **References Cited**

U.S. PATENT DOCUMENTS

D410,724 S \* 6/1999 Robles ..... D22/122  
D512,627 S \* 12/2005 Okada ..... D8/343

(Continued)

**1 Claim, 5 Drawing Sheets**



# US D975,845 S

Page 2

(58) **Field of Classification Search**

CPC ..... A61M 5/14248; A61M 5/1408; A61M  
2005/1581; A61M 5/1626  
See application file for complete search history.

11,383,026 B2 \* 7/2022 Russo ..... A61M 5/44  
2010/0063451 A1 \* 3/2010 Gray ..... A61M 39/0208  
604/175  
2018/0147115 A1 \* 5/2018 Nishioka ..... B65D 51/18  
2022/0080116 A1 \* 3/2022 Kobayashi ..... A61M 5/158

(56) **References Cited**

U.S. PATENT DOCUMENTS

D712,503 S \* 9/2014 Aiston ..... D22/122  
D741,996 S \* 10/2015 Strong ..... D24/130  
9,789,300 B2 \* 10/2017 Lauer ..... A61M 39/22  
D819,202 S \* 5/2018 Svantesson ..... D24/128  
10,195,340 B2 \* 2/2019 Vedrine ..... A61M 5/14248  
D866,323 S \* 11/2019 Miksovsky ..... D9/443  
10,537,461 B2 \* 1/2020 Hanuka ..... A61F 5/441  
D877,893 S \* 3/2020 Stonecipher ..... D24/112  
D922,572 S \* 6/2021 Bertrand ..... A61B 90/06  
D24/129  
D926,966 S \* 8/2021 Shigeno ..... D24/112  
11,109,800 B2 \* 9/2021 Hooven ..... A61M 5/31  
11,285,259 B2 \* 3/2022 Kamen ..... G05D 7/0676  
D948,034 S \* 4/2022 Converse ..... D24/112  
D948,714 S \* 4/2022 Dadachanji ..... D24/129  
D956,219 S \* 6/2022 Seow ..... D24/129

FOREIGN PATENT DOCUMENTS

JP 2018-108449 7/2018  
JP 2020-014853 1/2020  
TW 217417-0001 \* 3/2022

OTHER PUBLICATIONS

Amgen Announces Launch Of New Neulasta®, Amgen, [Post date: Mar. 2, 2015], [Site seen Jul. 26, 2022], Seen at URL: <https://www.prnewswire.com/news-releases/amgen-announces-launch-of-new-neulasta-pegfilgrastim-delivery-kit-300043818.html> (Year: 2015).  
Design U.S. Appl. No. 29/764,241, filed Dec. 29, 2020; Takeda et al.  
Decision of Rejection dated Mar. 30, 2021 in Japanese Application No. 2020-013462 (with English-language translation); 3 pages.

\* cited by examiner

Fig.1

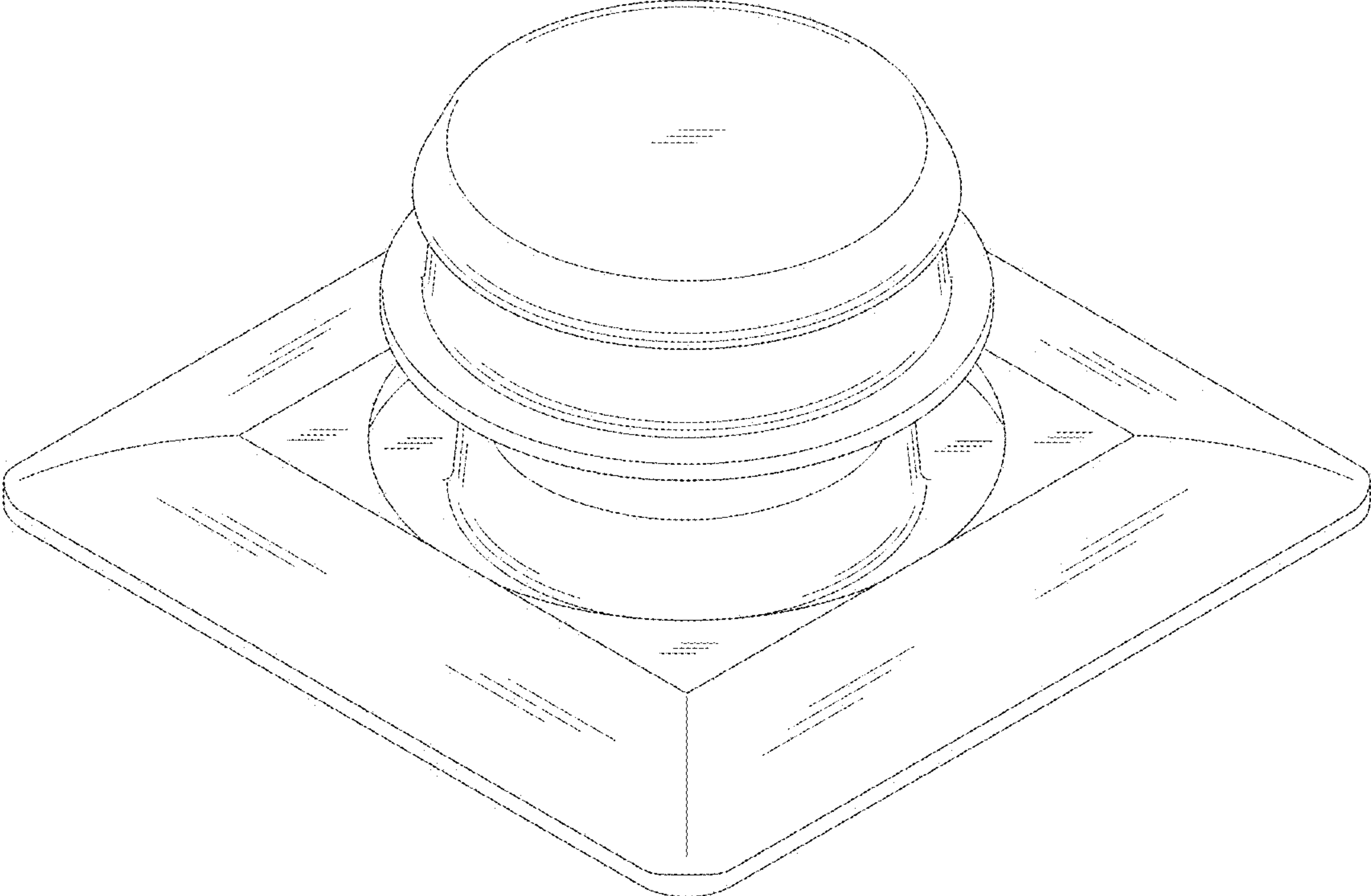


Fig. 2

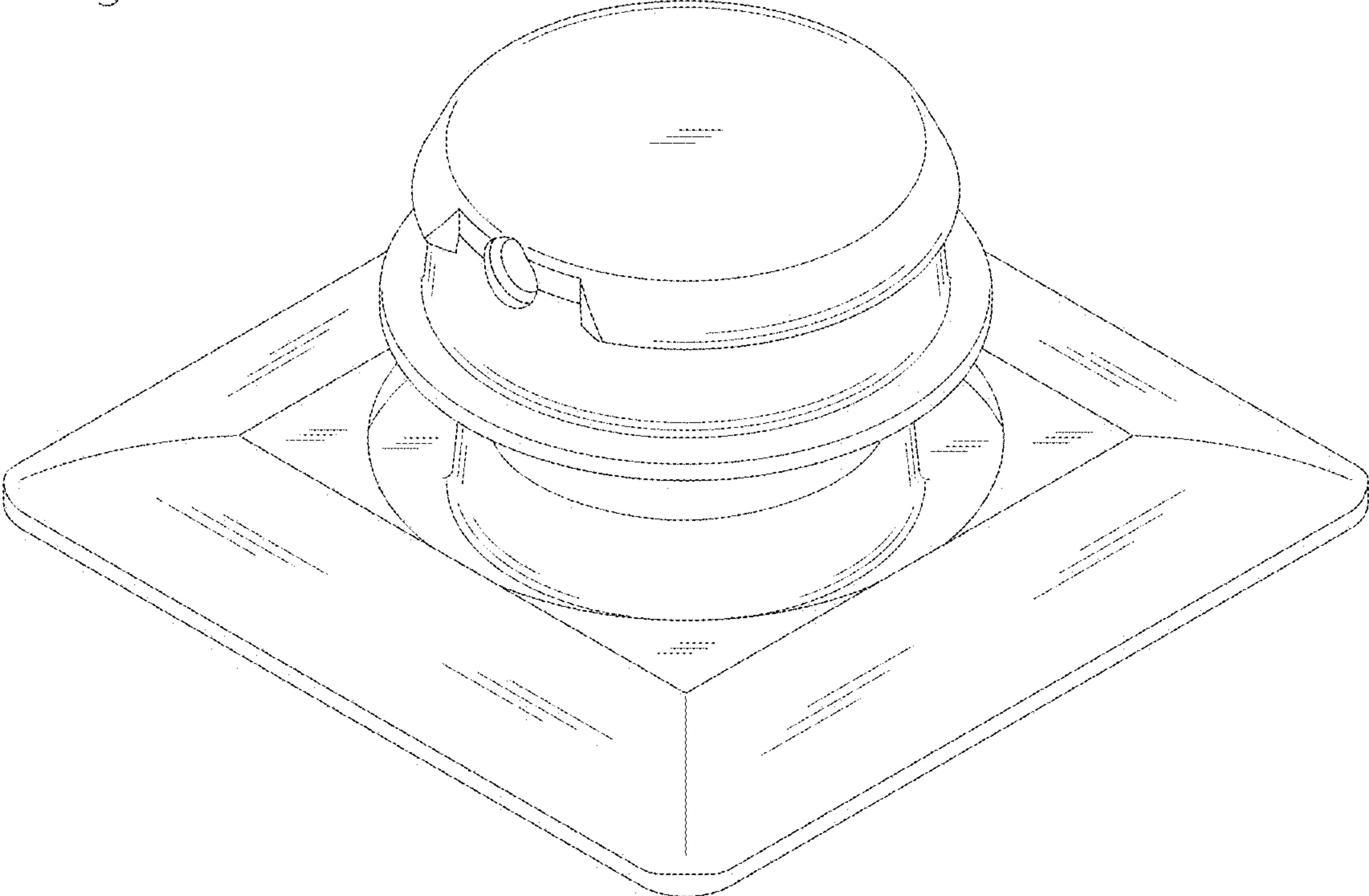


Fig. 3

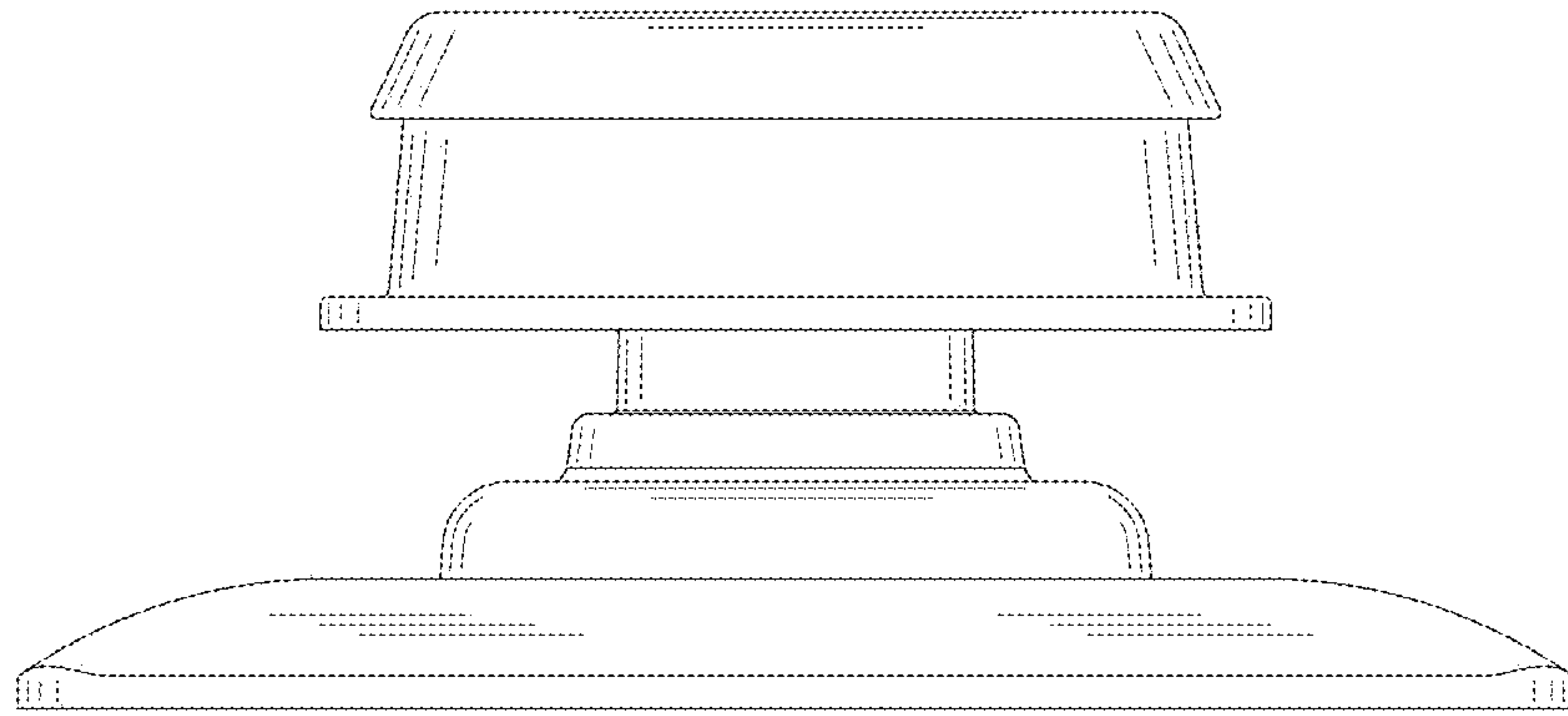


Fig. 4

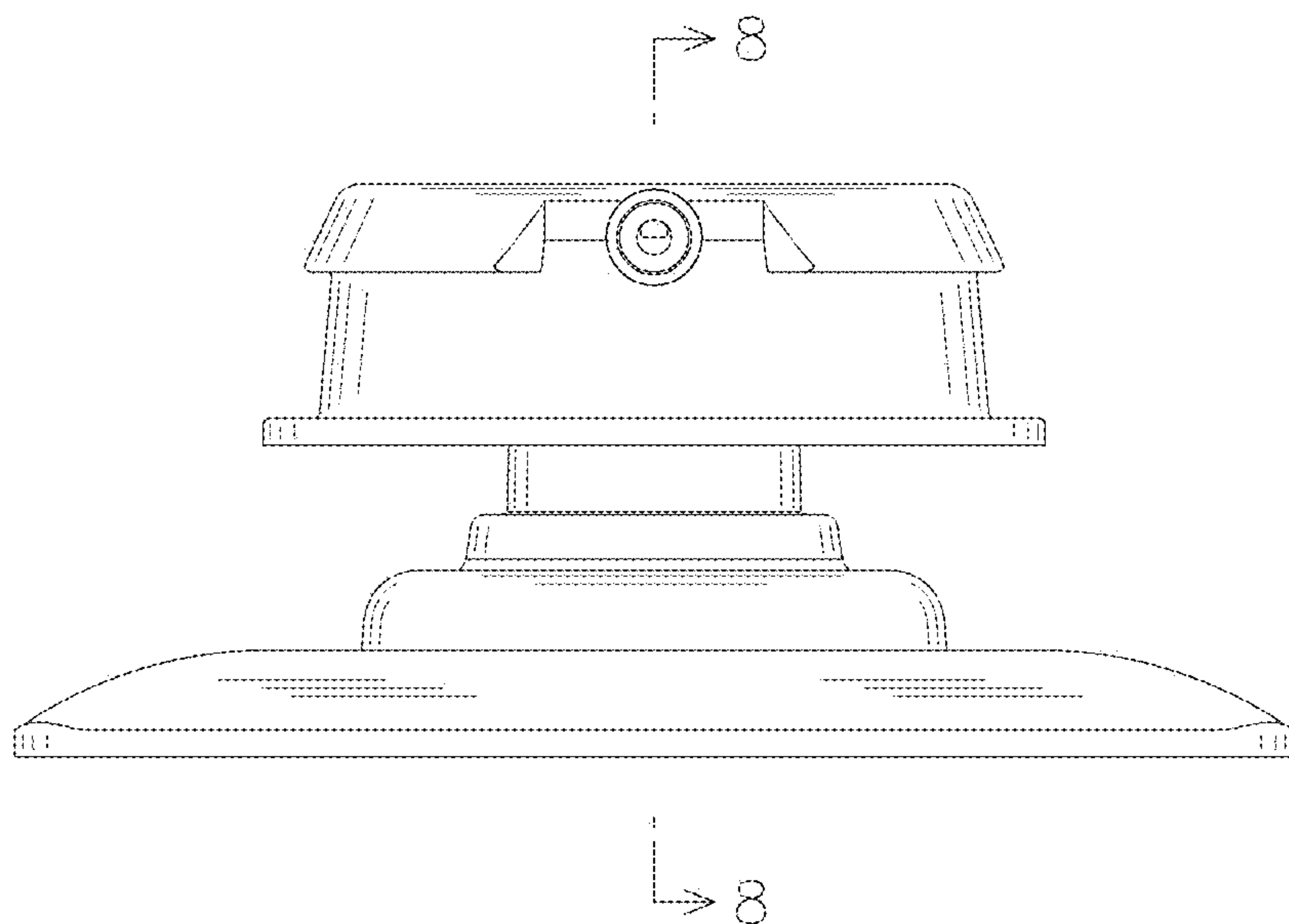




Fig. 5

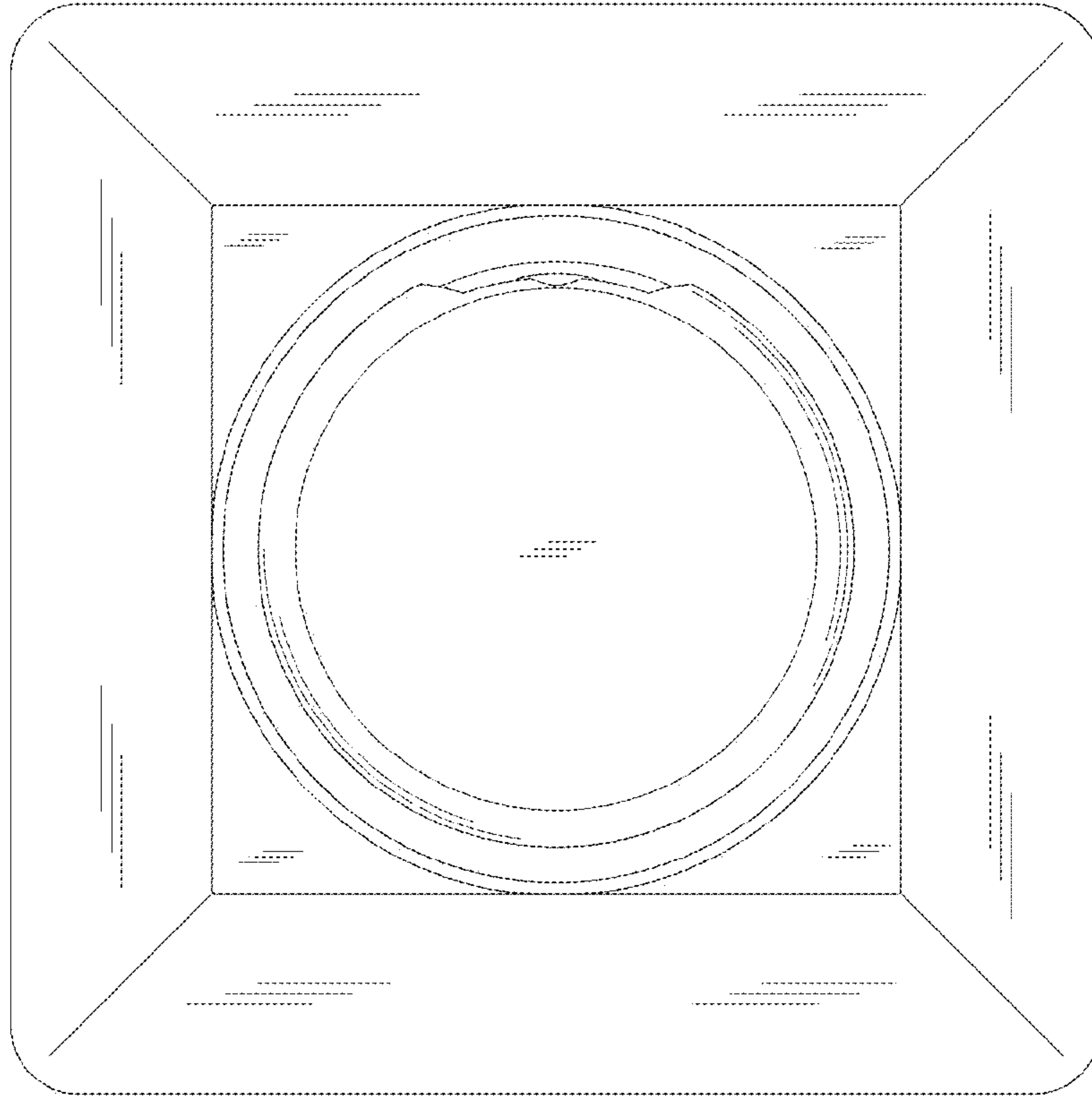


Fig. 6

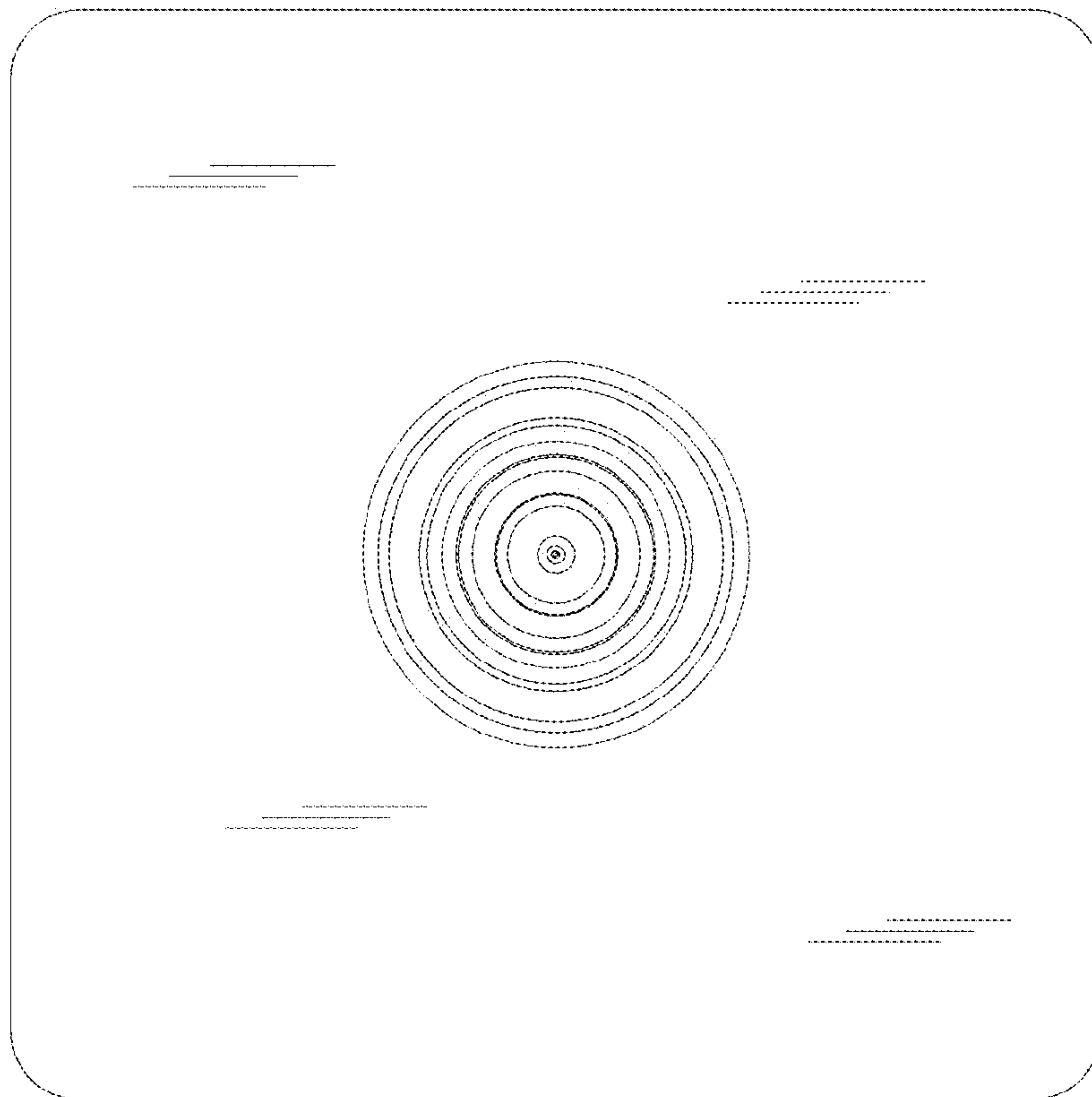


Fig. 7

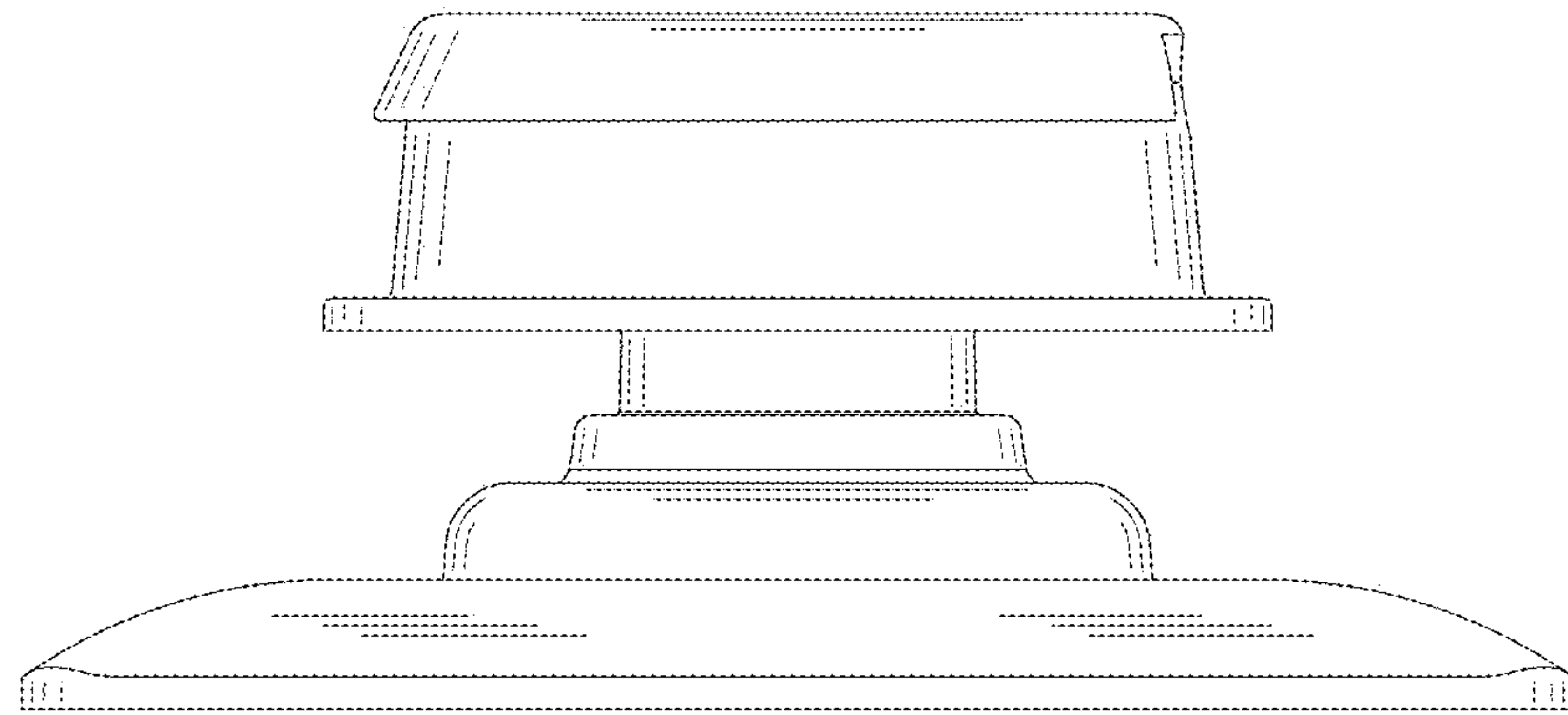


Fig. 8

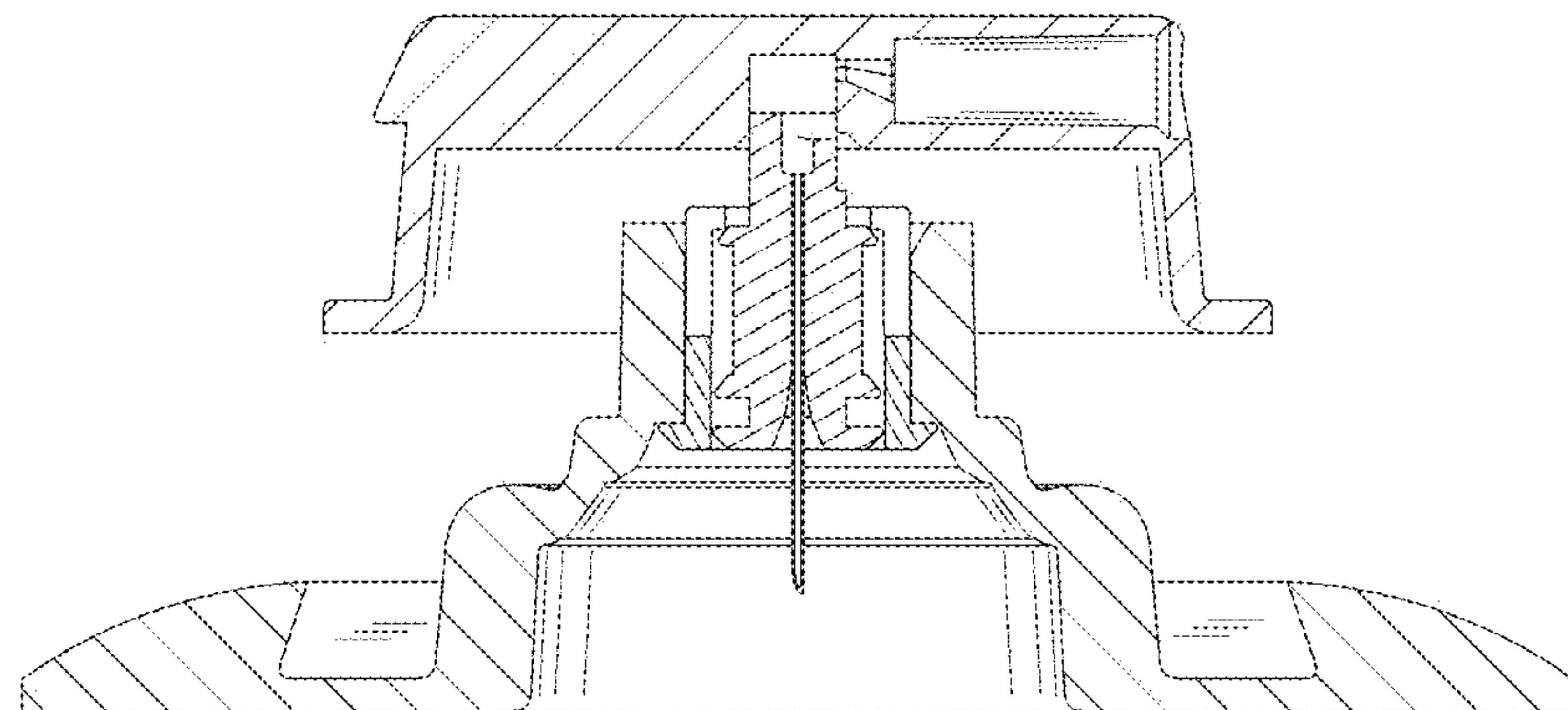


Fig. 9

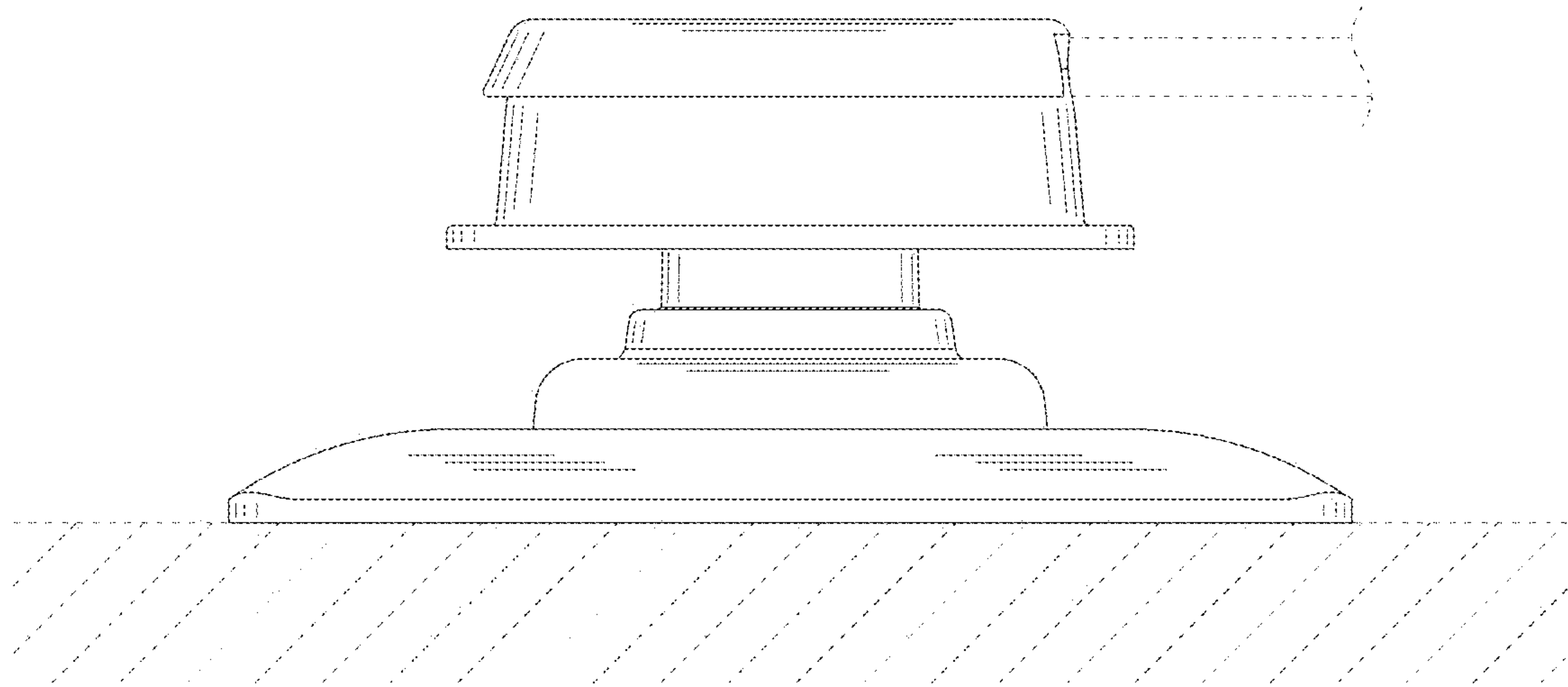


Fig. 10

