



US00D975842S

(12) **United States Design Patent** (10) **Patent No.:** **US D975,842 S**
Önder (45) **Date of Patent:** **** Jan. 17, 2023**

(54) **PART OF A BREATHING MASK**
(71) Applicant: **Tumba Dental AB**, Tumba (SE)
(72) Inventor: **Ferit Önder**, Södertälje (SE)
(**) Term: **15 Years**

10,617,838 B2 * 4/2020 Matula, Jr. A61M 16/0622
D894,372 S * 8/2020 Larrow D24/110.4
D916,276 S * 4/2021 Wilson D24/112
D930,147 S * 9/2021 Allum D24/110
D937,407 S * 11/2021 Wilson D24/110.4
D938,014 S * 12/2021 Allum D24/110.1
2005/0028822 A1 * 2/2005 Sleeper A61M 16/0833
128/207.18

(21) Appl. No.: **35/514,341**

OTHER PUBLICATIONS

(22) Filed: **Feb. 21, 2022**

“ResMed . . . ” reference dated Sep. 27, 2022 found on the internet at by RMS at: <https://www.gocpap.com/resmed-nasal-pillows-airfit-p30i/>.*

(80) **Hague Agreement Data**

Int. Filing Date: **Feb. 21, 2022**
Int. Reg. No.: **DM/220703**
Int. Reg. Date: **Feb. 21, 2022**
Int. Reg. Pub. Date: **May 20, 2022**

* cited by examiner

Primary Examiner — Rhea Shields

(51) **LOC (14) Cl.** **29-02**

(57) **CLAIM**

(52) **U.S. Cl.**

The ornamental design for a part of a breathing mask, as shown and described.

USPC **D24/110.4**

DESCRIPTION

(58) **Field of Classification Search**

USPC D24/110.1, 110.2, 110.4, 110.5, 112, 110
CPC A61M 16/0833; A61M 16/0683; A61M
16/0816; A61M 16/0622

See application file for complete search history.

The patent or application file contains at least one drawing executed in color. Copies of this patent or patent application publication with color drawing(s) will be provided by the Office upon request and payment of the necessary fee.

(56) **References Cited**

U.S. PATENT DOCUMENTS

D533,269 S * 12/2006 McAuley D24/110.6
D612,933 S * 3/2010 Prentice D24/110.4
D645,557 S * 9/2011 Scheiner D24/110.5
D687,539 S * 8/2013 Matula, Jr. D24/110.1
D746,436 S * 12/2015 Guney D24/110.1
D770,608 S * 11/2016 Allum D24/110.1
9,943,660 B2 * 4/2018 Selvarajan A61M 16/0683
10,328,226 B2 * 6/2019 Allan A61M 16/0816
D878,545 S * 3/2020 Scheiner D24/110
D879,945 S * 3/2020 Gunaratnam D24/110.1
D879,947 S * 3/2020 Collazo D24/110.1

1. Part of a breathing mask

1.1 : Perspective

1.2 : Front

1.3 : Back

1.4 : Left

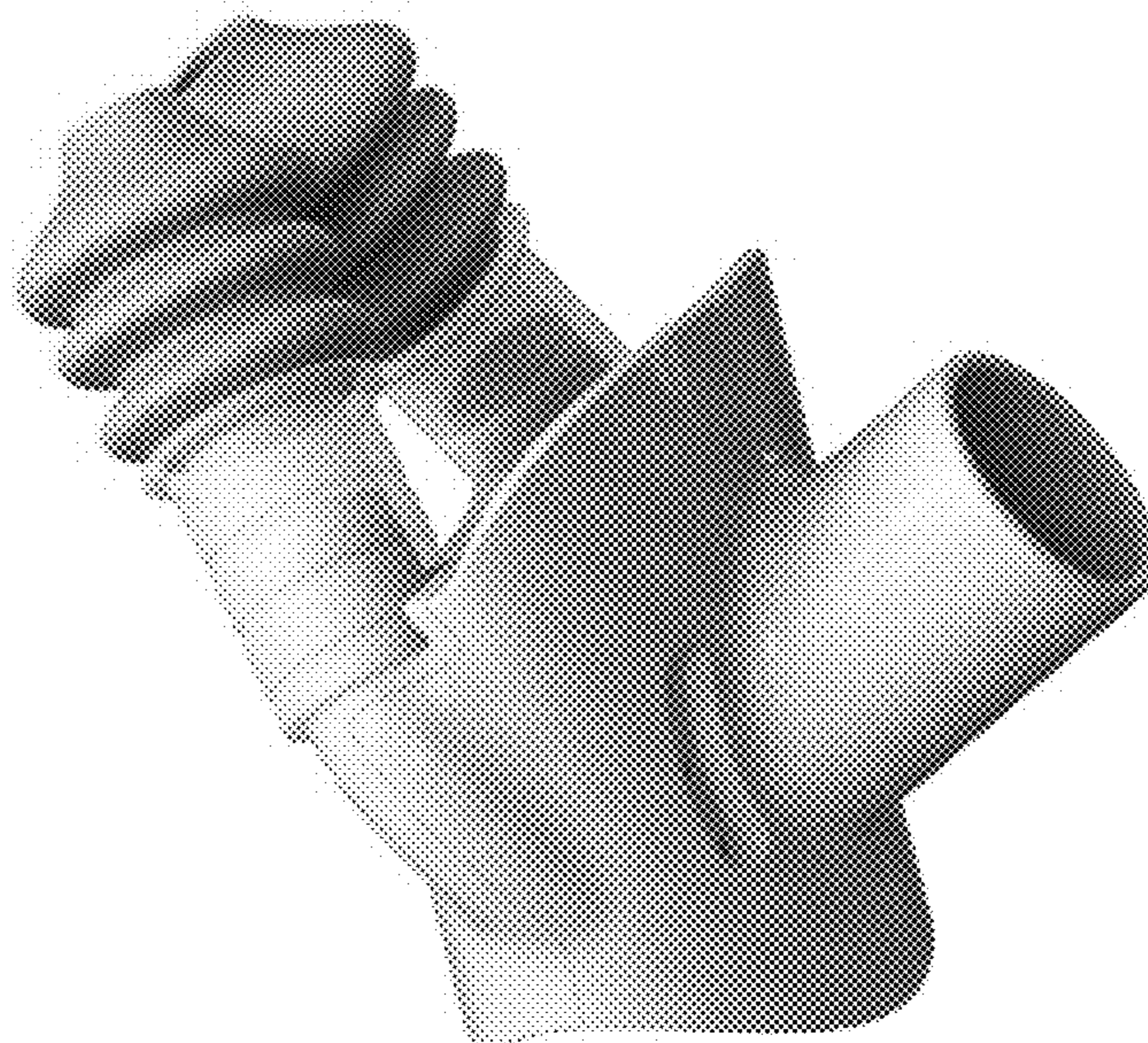
1.5 : Right

1.6 : Bottom

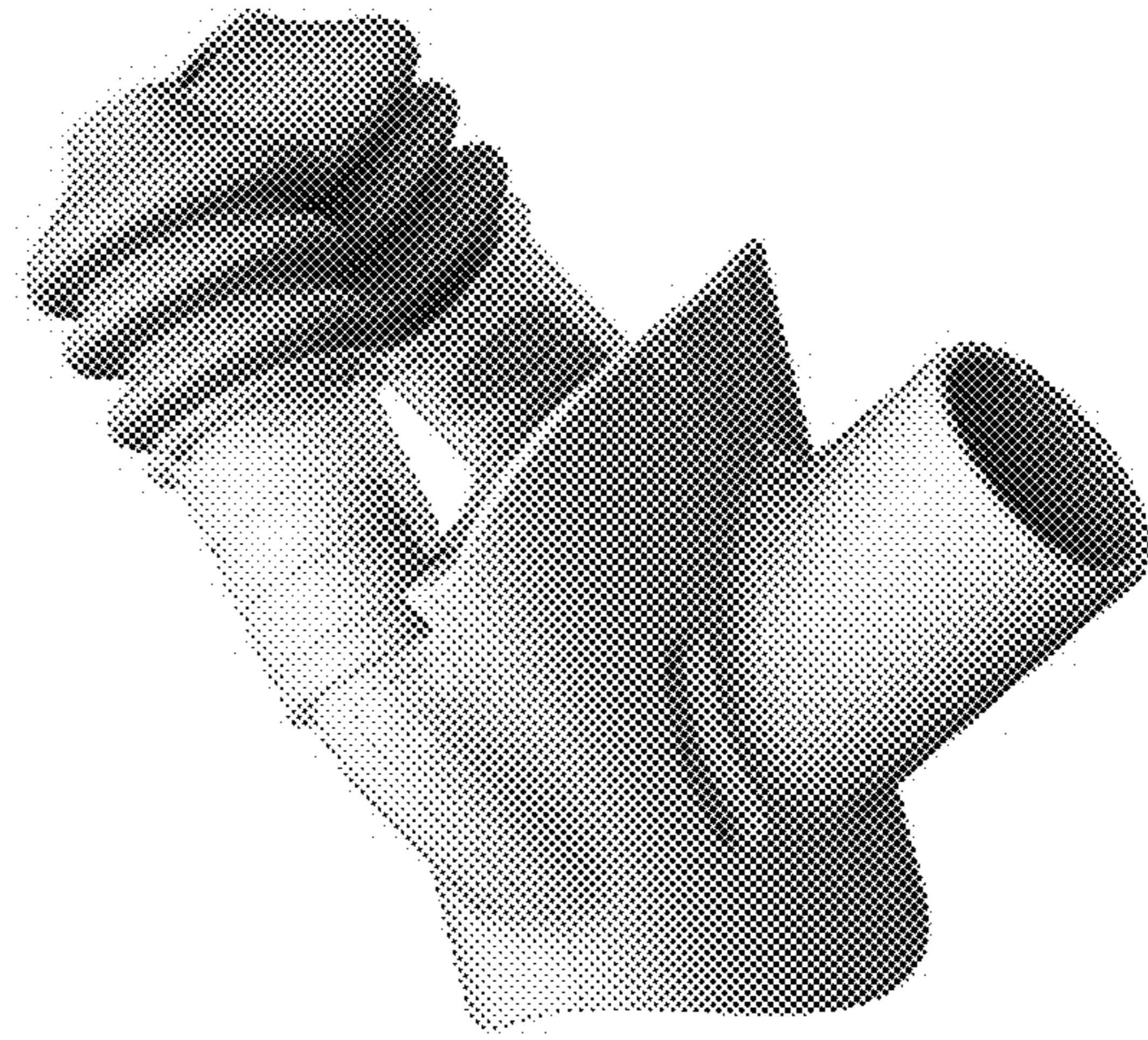
1.7 : Top

Part of a breathing mask; the reflections/shadows shown in reproductions 1.1 to 1.7 are disclaimed.

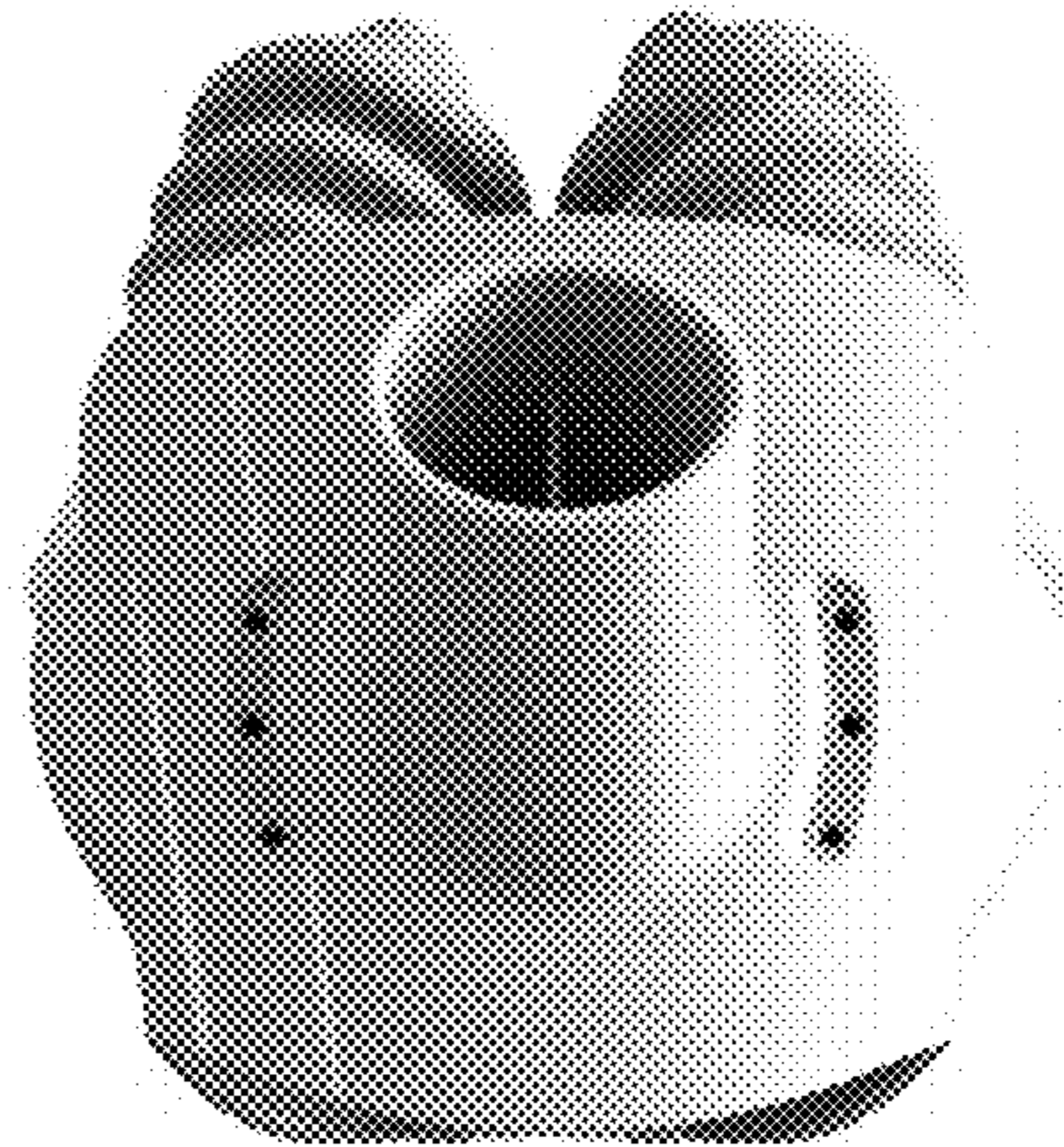
1 Claim, 7 Drawing Sheets
(7 of 7 Drawing Sheet(s) Filed in Color)



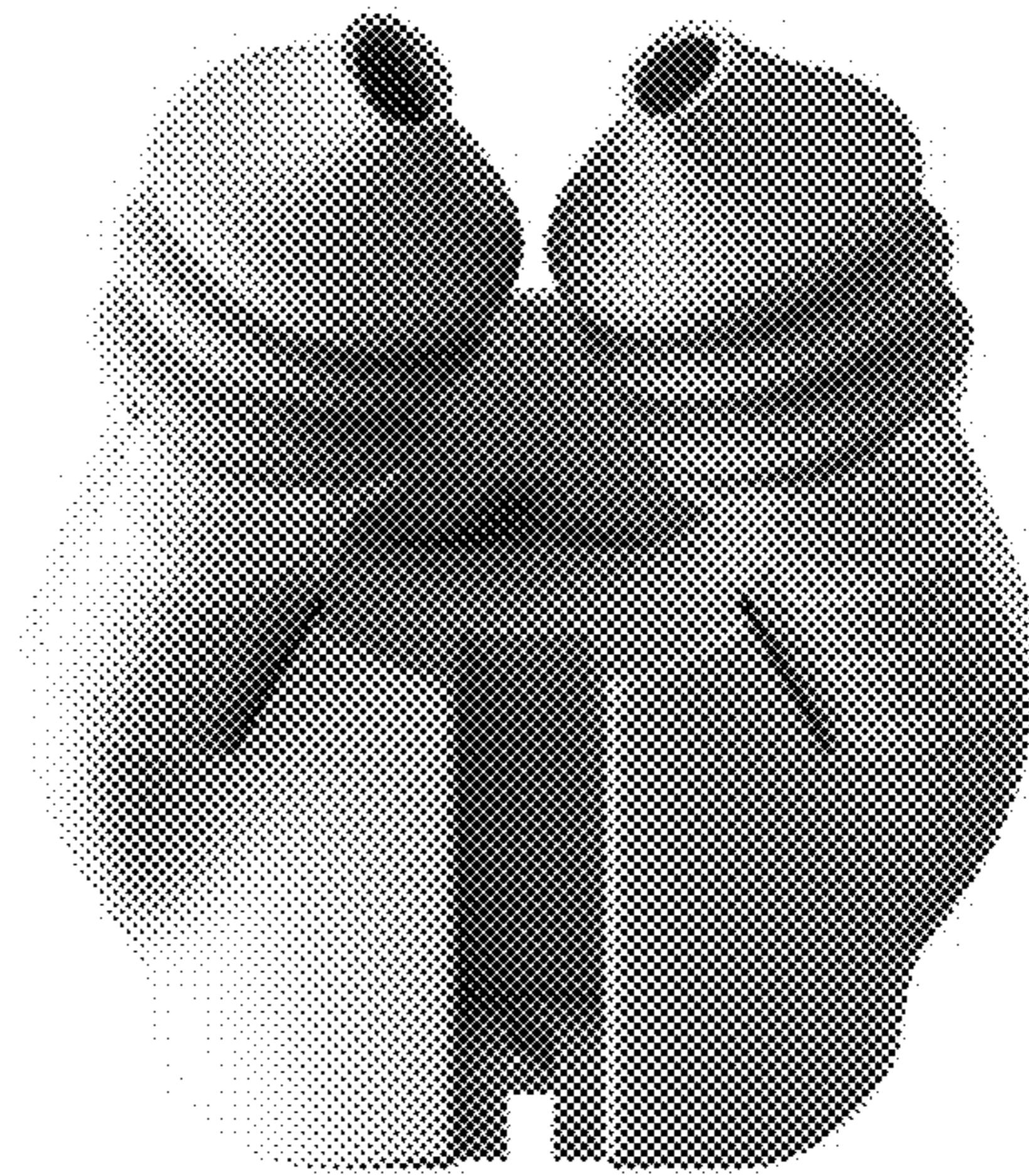
1.1



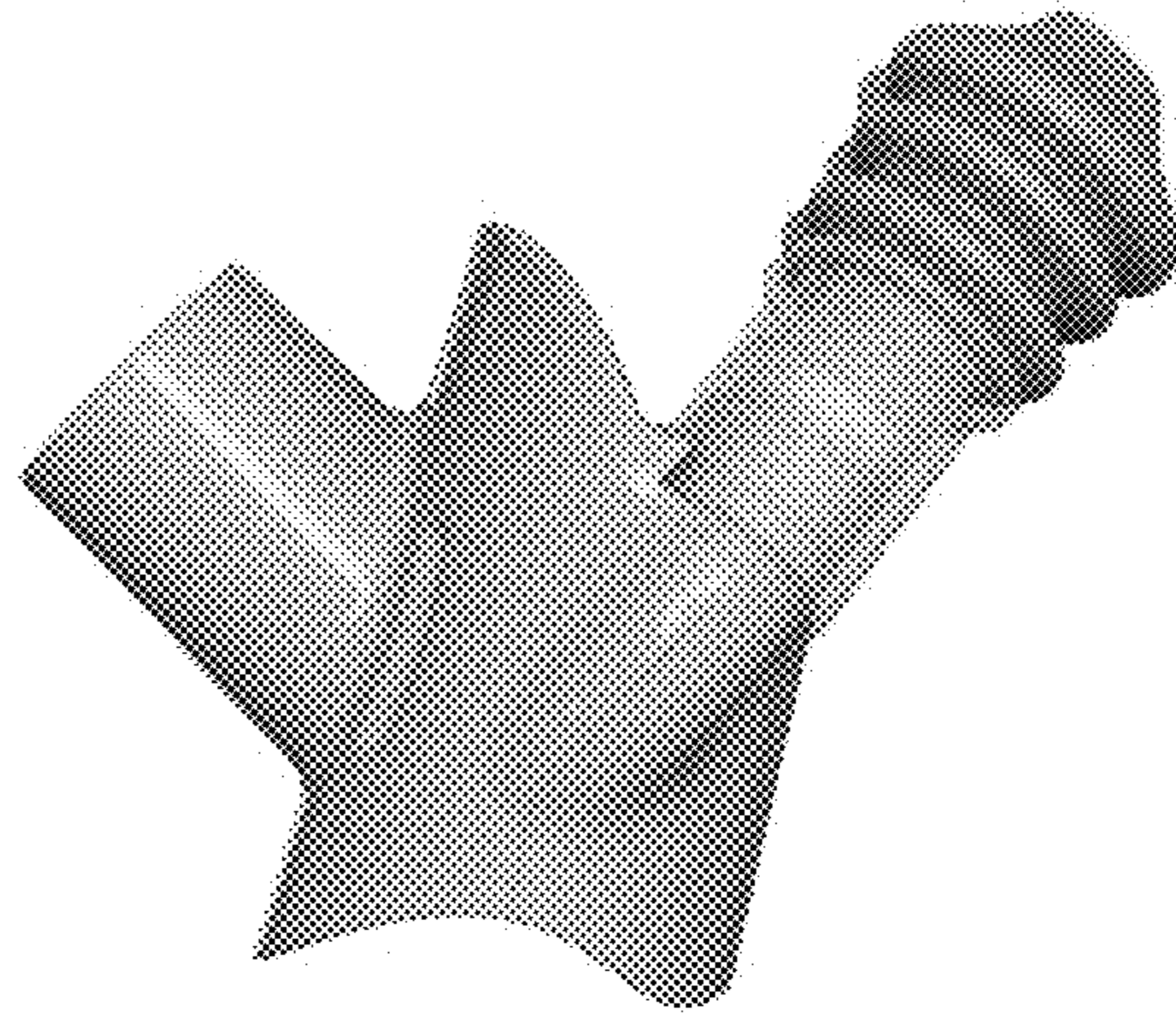
1.2



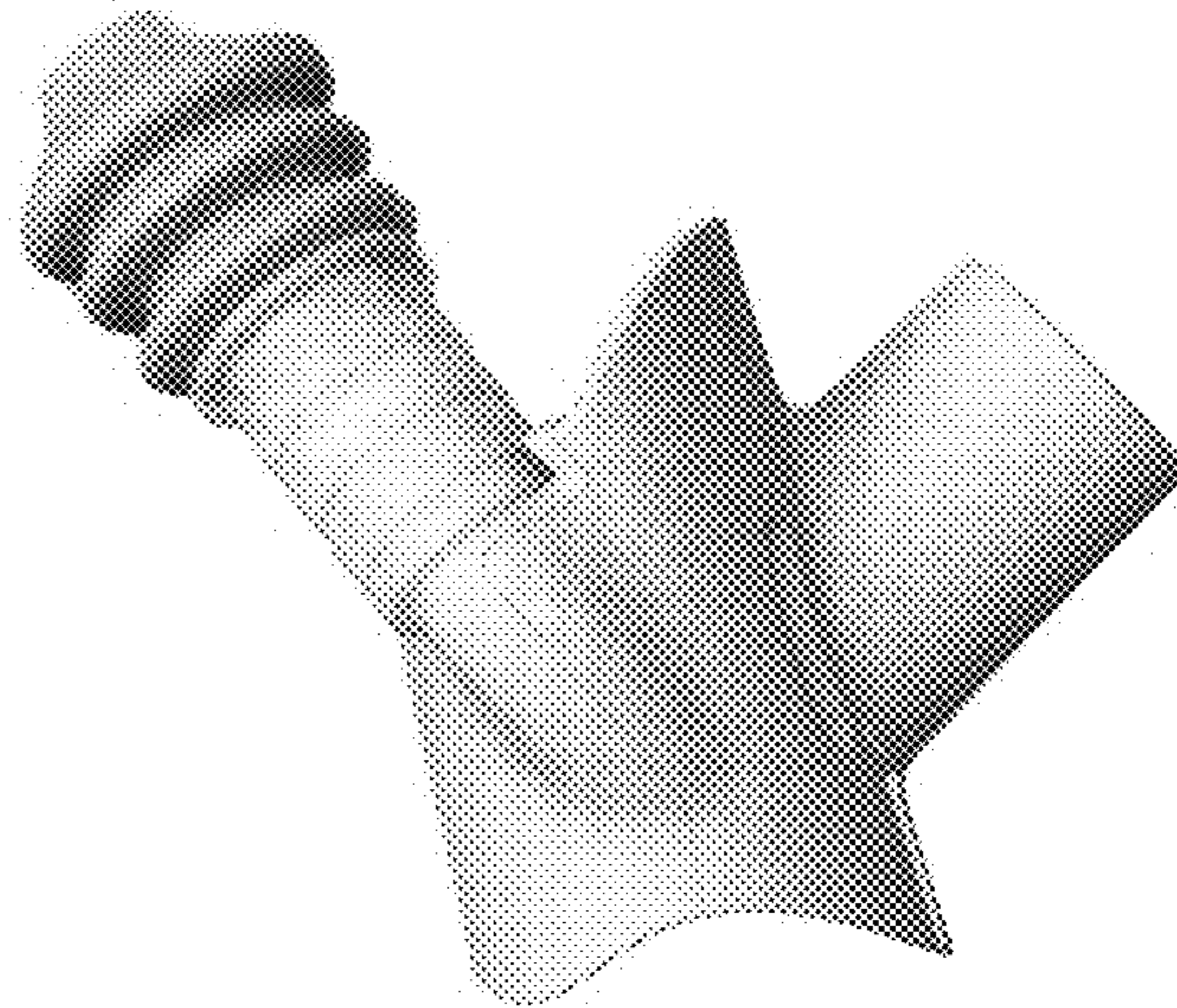
1.3



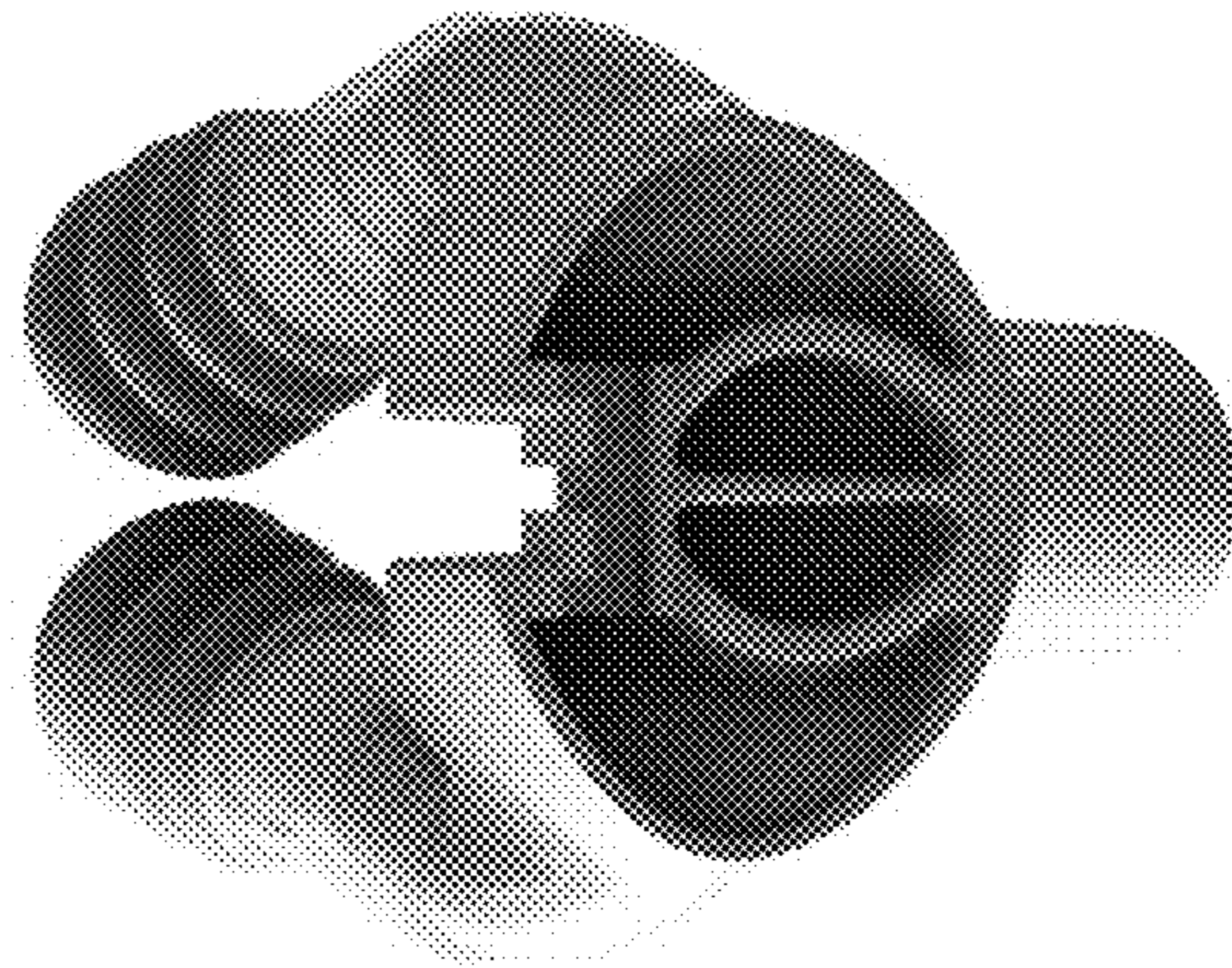
1.4



1.5



1.6



1.7

