



US00D975841S

(12) **United States Design Patent** (10) **Patent No.:** **US D975,841 S**
Chen (45) **Date of Patent:** **** Jan. 17, 2023**

(54) **DIVING MASK**

(71) Applicant: **Yan Chen**, Hubei (CN)

(72) Inventor: **Yan Chen**, Hubei (CN)

(**) Term: **15 Years**

(21) Appl. No.: **29/750,863**

(22) Filed: **Sep. 17, 2020**

(51) **LOC (14) Cl.** **29-02**

(52) **U.S. Cl.**
USPC **D24/110.2**

(58) **Field of Classification Search**
USPC D24/110-110.6, 108, 162, 164; D29/102,
D29/105-108, 110
CPC . A61M 16/00; A62B 7/00; A62B 7/04; A62B
18/00; A62B 18/02; A62B 15/02; A62B
18/08; A62B 18/082; A62B 18/025; A62B
18/084; A62B 18/086; A62B 18/01; A62B
18/006; A62B 18/04; A62B 23/00; A62B
9/02; A62B 23/02; A62B 23/025; A62B
7/10; A62B 27/00; A62B 27/12; A62B
9/003; A62B 9/04; A41D 13/11; A41D
13/1107; A41D 13/1115; A41D 13/1123;
A41D 13/113; A41D 13/1161; G02B
2027/0178

See application file for complete search history.

(56) **References Cited**

U.S. PATENT DOCUMENTS

D137,197 S *	2/1944	Du	D24/110.2
D266,031 S *	9/1982	Sato	D24/110.2
D290,764 S *	7/1987	Berenson	D24/110.2
D302,747 S *	8/1989	Hattori	D24/110.2
D309,508 S *	7/1990	Sugita	D24/110.2
D310,277 S *	8/1990	Sugita	D24/110.2
D318,476 S *	7/1991	Sato	D24/110.2
D320,867 S *	10/1991	Kasama	D24/110.2
D324,589 S *	3/1992	Dagnino	D24/110.2
D325,106 S *	3/1992	Sugita	D24/110.2
5,117,817 A *	6/1992	Lin	B63C 11/205 D24/110.5
D335,365 S *	5/1993	Sato	D24/110.2
D352,950 S *	11/1994	Rasocha	D16/311

(Continued)

FOREIGN PATENT DOCUMENTS

EM	004370641-0001	*	10/2017
EM	008169692-0001	*	10/2020

OTHER PUBLICATIONS

Unigear Snorkel Mask, Jan. 29, 2021, amazon.com [online], [site visited Jun. 16, 2022], Available from internet, URL: <https://www.amazon.com/Unigear-Foldable-Anti-Fog-Snorkeling-Professional/dp/B08VDBRMK7/ref=asc_df_B08VDBRMK7/?tag=hyprod-20&linkCode=df0&hvadid=507647893866&hvpos=&hvnetw=g&hvrnd=1668809503039502271 &hvpon=&hvptwo=&hvqmt=&hvdev=c&hvdvcmdl=&hvlocint=&hvlocphy=9059726&hvtargid=pla-1210941226054&th=1&psc=1> (Year: 2021).*

(Continued)

Primary Examiner — Wendy L Arminio
Assistant Examiner — Maheen Khurshid

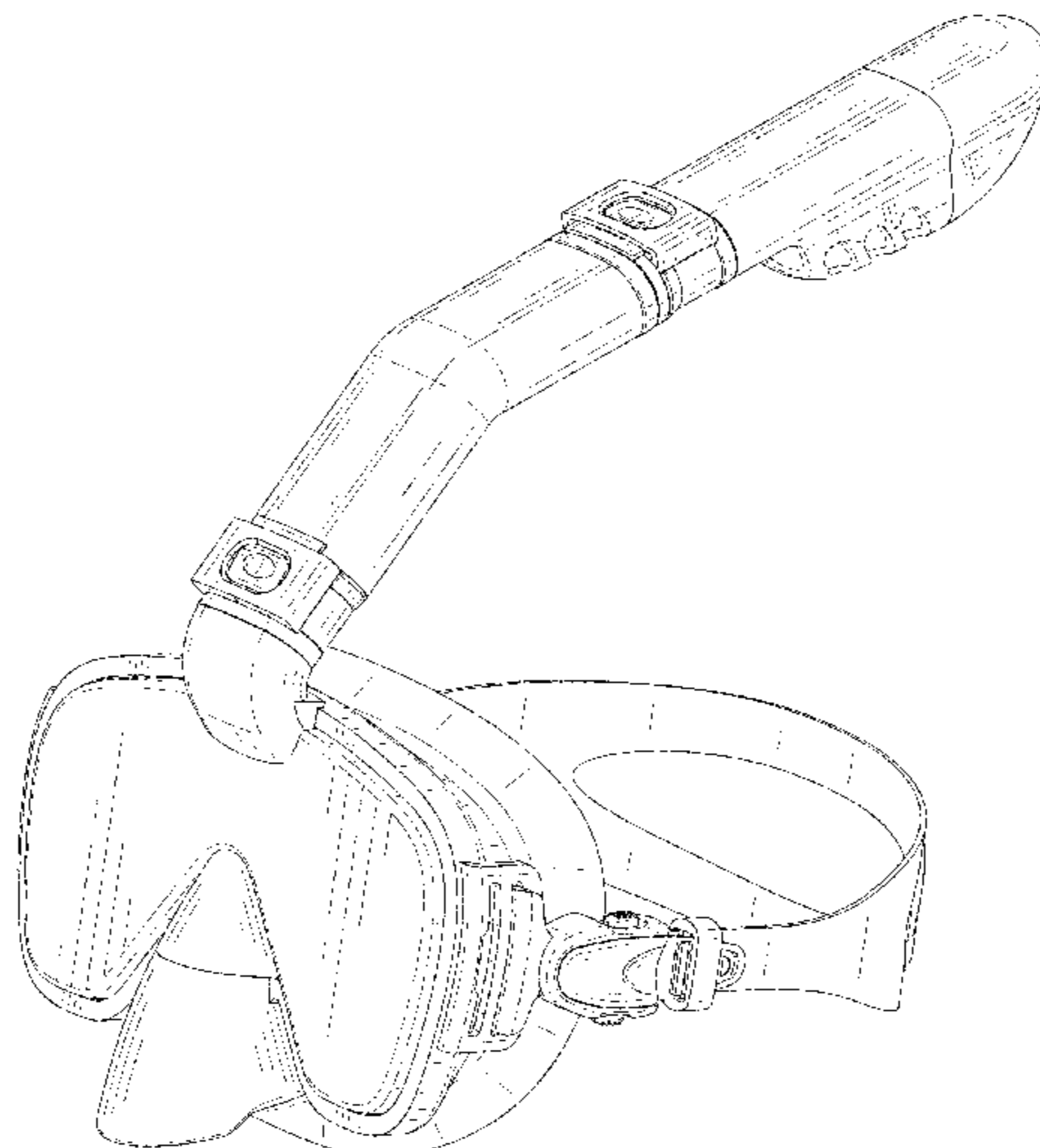
(57) **CLAIM**

The ornamental design for a diving mask, as shown and described.

DESCRIPTION

FIG. 1 is a top, front and right side perspective view of a diving mask showing my new design;
FIG. 2 is a bottom, rear and left side perspective view thereof;
FIG. 3 is a front elevational view thereof;
FIG. 4 is a rear elevational view thereof;
FIG. 5 is a left side view thereof;
FIG. 6 is a right side view thereof;
FIG. 7 is a top plan view thereof; and,
FIG. 8 is a bottom plan view thereof.
The broken lines in the drawings illustrate portions of the diving mask which form no part of the claimed design.

1 Claim, 8 Drawing Sheets



(56)

References Cited

U.S. PATENT DOCUMENTS

5,487,379 A * 1/1996 Koshiishi B63C 11/205
128/201.27
D371,566 S * 7/1996 Kolada D16/311
5,638,552 A * 6/1997 Fujima B63C 11/12
2/443
5,657,493 A * 8/1997 Ferrero B63C 11/12
2/452
6,038,706 A * 3/2000 Seiler A61F 9/029
206/5
D450,833 S * 11/2001 Olivieri D24/110.2
6,363,929 B1 * 4/2002 Winefordner B63C 11/205
128/201.27
D851,747 S * 6/2019 Hu D24/110.2
D852,265 S * 6/2019 Liao D24/110.2
D919,697 S * 5/2021 Lin D16/312
11,208,184 B2 * 12/2021 Chen B63C 11/12
D943,089 S * 2/2022 Hu D24/110.2
2003/0208835 A1 * 11/2003 Pan B63C 11/12
2/428
2004/0003809 A1 * 1/2004 Pan B63C 11/12
128/201.11
2004/0060101 A1 * 4/2004 Shiue B63C 11/12
2/426
2006/0037607 A1 * 2/2006 Trujillo B63C 11/16
128/201.27
2006/0081582 A1 * 4/2006 Hsieh B63C 11/12
219/203
2009/0288241 A1 * 11/2009 Fullerton A61F 9/027
2/421

2010/0077537 A1 * 4/2010 Lan B29C 45/1671
264/279
2016/0120701 A1 * 5/2016 Fujimoto A63B 33/002
2/431
2017/0334531 A1 * 11/2017 Shiue B63C 11/16

OTHER PUBLICATIONS

OMGear Diving Mask, Jan. 2, 2020, amazon.com [online], [site visited Jun. 16, 2022], Available from internet, URL: <https://www.amazon.com/dp/B083DK91ZR/ref=sspa_dk_detail_1?pd_rd_i=B083DKC7D2&pd_rd_w=31OkC&content-id=amzn1.sym.3481f441-61ac-4028-9c1a-7f9ce8ec50c5&pf_rd_p=3481f441-61ac-4028-MTNWR0xOVzdENIVFOSZIBMnyeXB0ZWRBZEikPUEwODkyNjYwMzZEN0pOUDFSSzdNNCZ3aWRnZXROYW1IPXNwX2RldGFpbF90aGVtYXRpYyZhY3Rpb249Y2xpY2tSZWRpcmVjdCZkb05vdExvZ0NsaWNrPXRydWU&th=1> (Year: 2020).
Diving Mask Hiearcool, Feb. 28, 2020, amazon.com [online], [site visited Jun. 16, 2022], Available from internet, URL: <[* cited by examiner](https://www.amazon.com/dp/B083QF45KN/ref=sspa_dk_detail_4?psc=1&pd_rd_i=B083QF45KN&pd_rd_w=31OkC&content-id=amzn1.sym.3481f441-61ac-4028-9c1a-7f9ce8ec50c5&pf_rd_p=3481f441-61ac-4028-9C1a-7f9ce8ec50c5&pf_rd_r=693CM88C4HK8KF28RAGA&pd_rd_wg=UrCeU&pd_rd_r=e73629d3-56fe-4b7b-9ae9-81668e8a64aa&s=sporting-goods&spLa=ZW5jcnlwdGVkUXVhbGlmaWVyPUEExSlg3NldlWEZSVklwJmVuY3J5cHRIZEikPUEwODEwODEwODQ2UUE0QUZVUVExOEgyJndpZGldE5hbWU9c3BfZGV0YWIsX3RoZW1hdGljJmFjdGlvbj1jbGlja1JIZGIyZWNOJmRvTm90TG9nQ2xpY2s9dHJ1ZQ==> (Year: 2020).*</p>
</div>
<div data-bbox=)

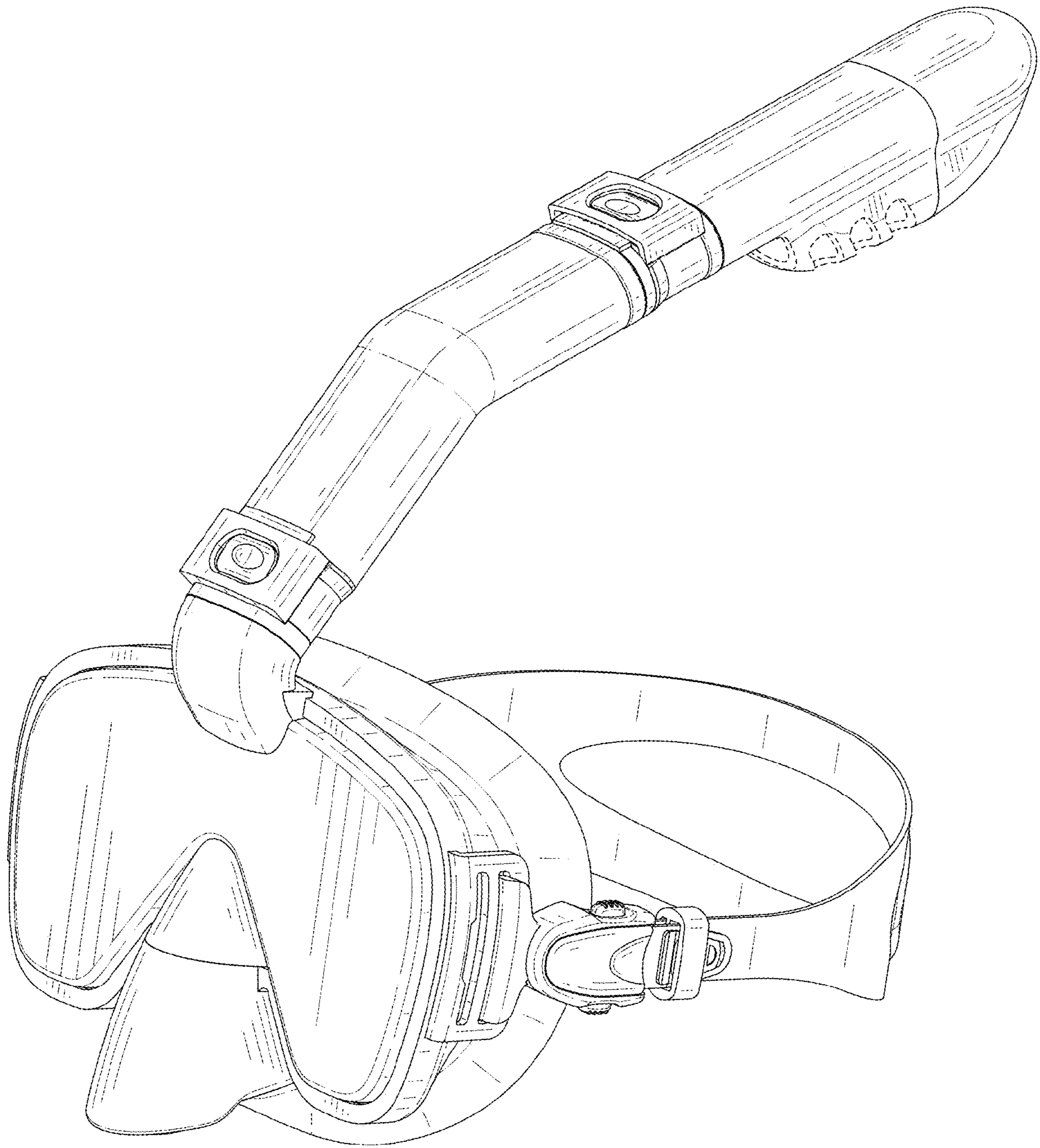


FIG. 1

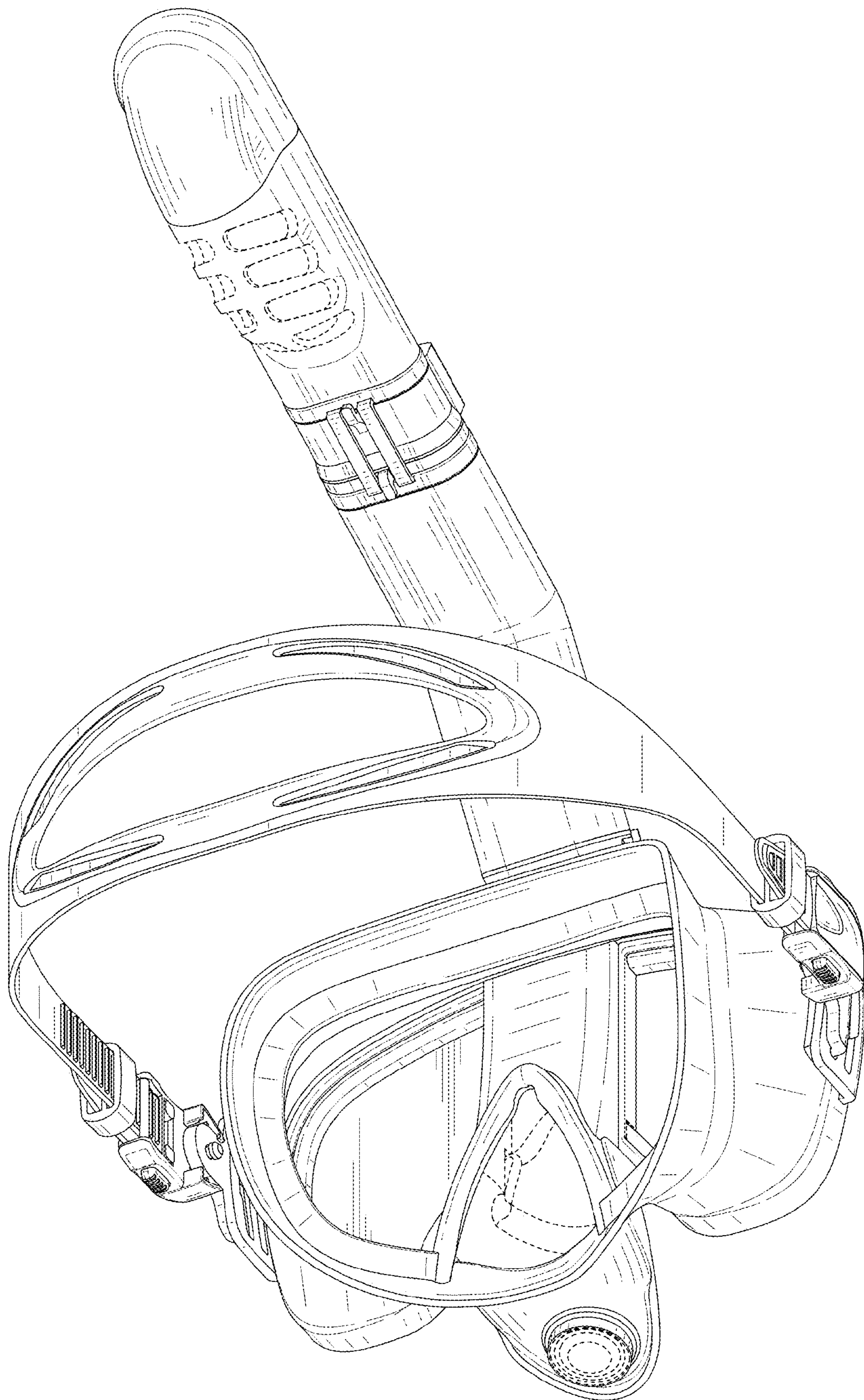


FIG. 2

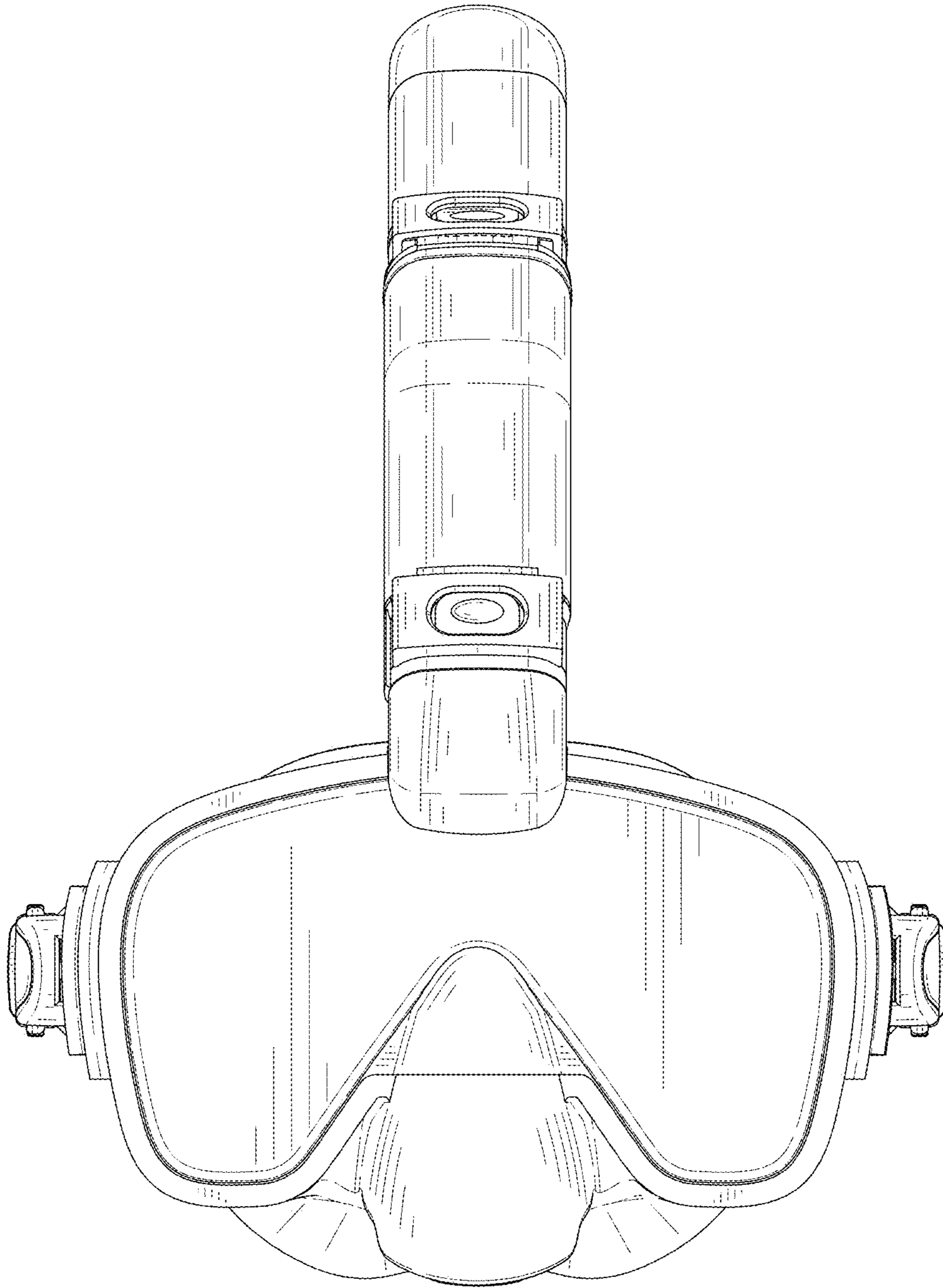


FIG. 3

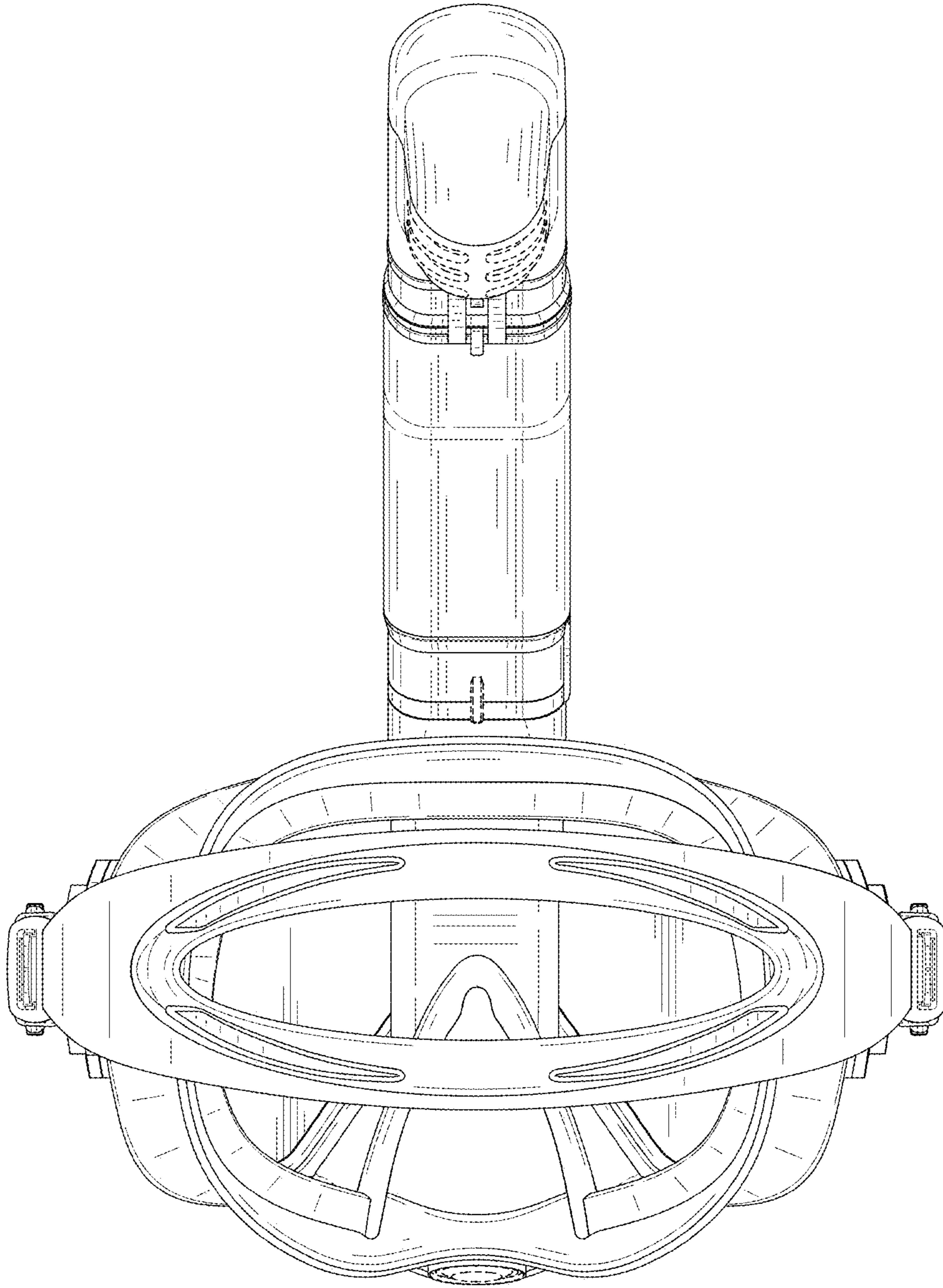


FIG. 4

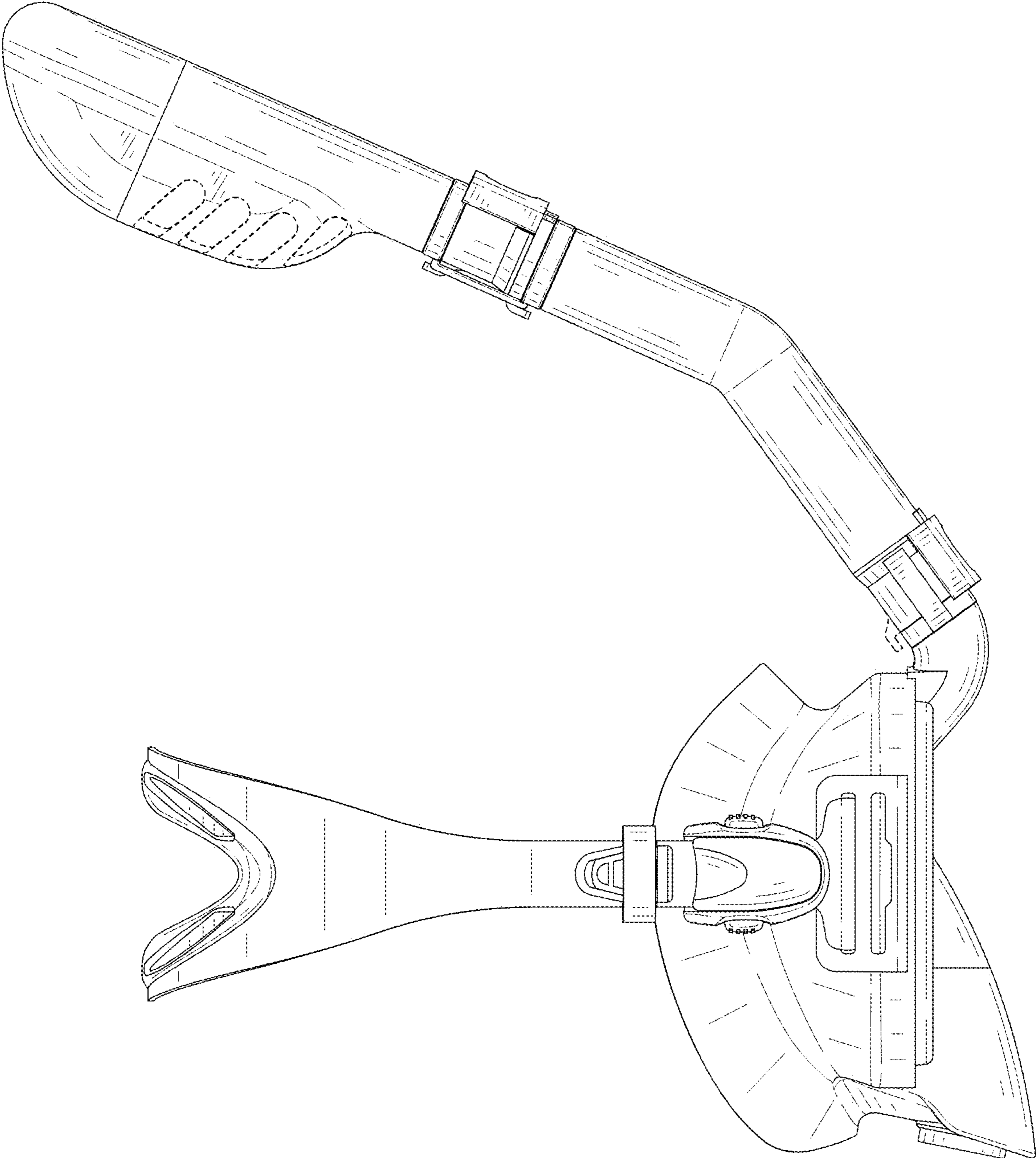


FIG. 5

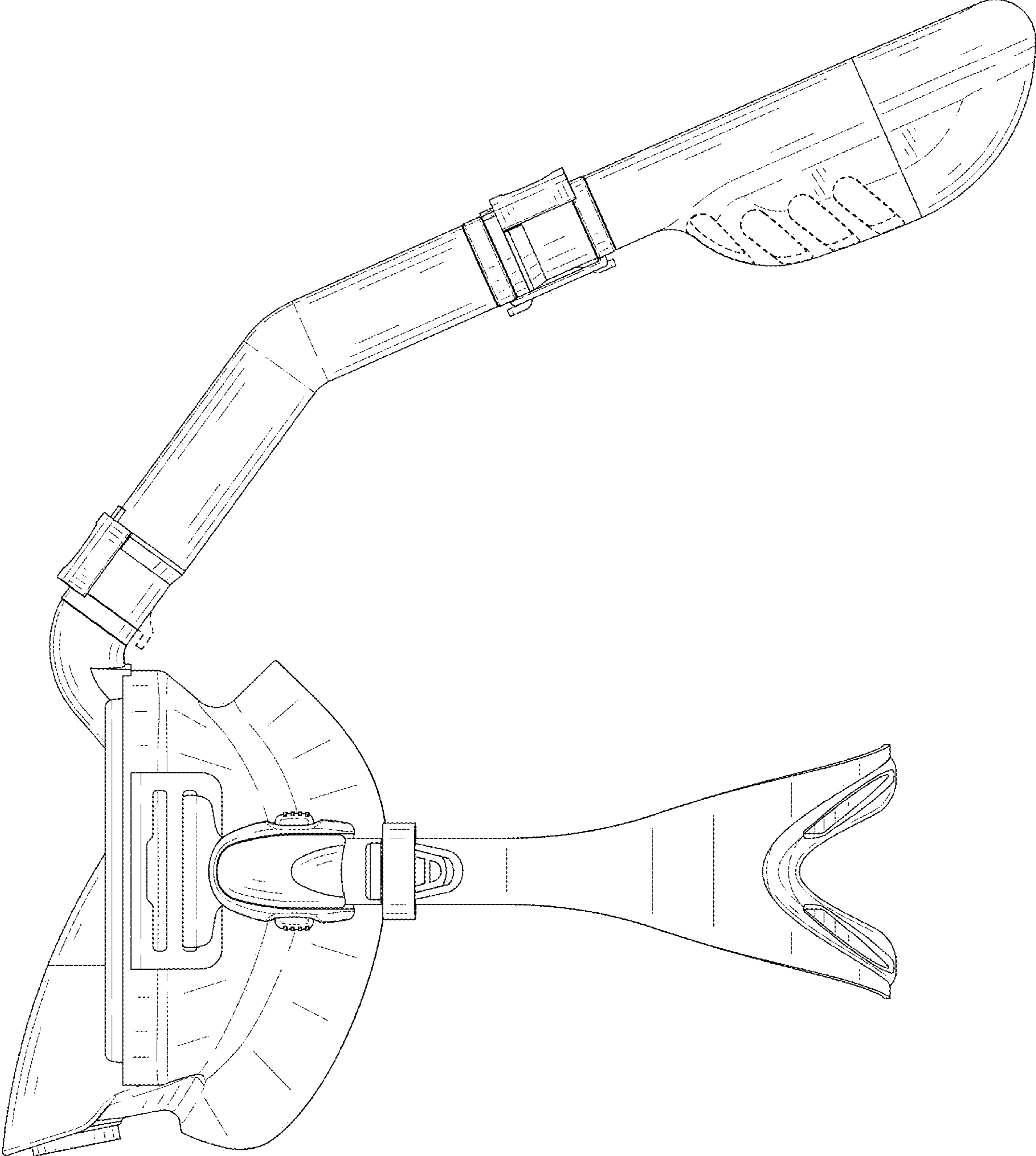


FIG. 6

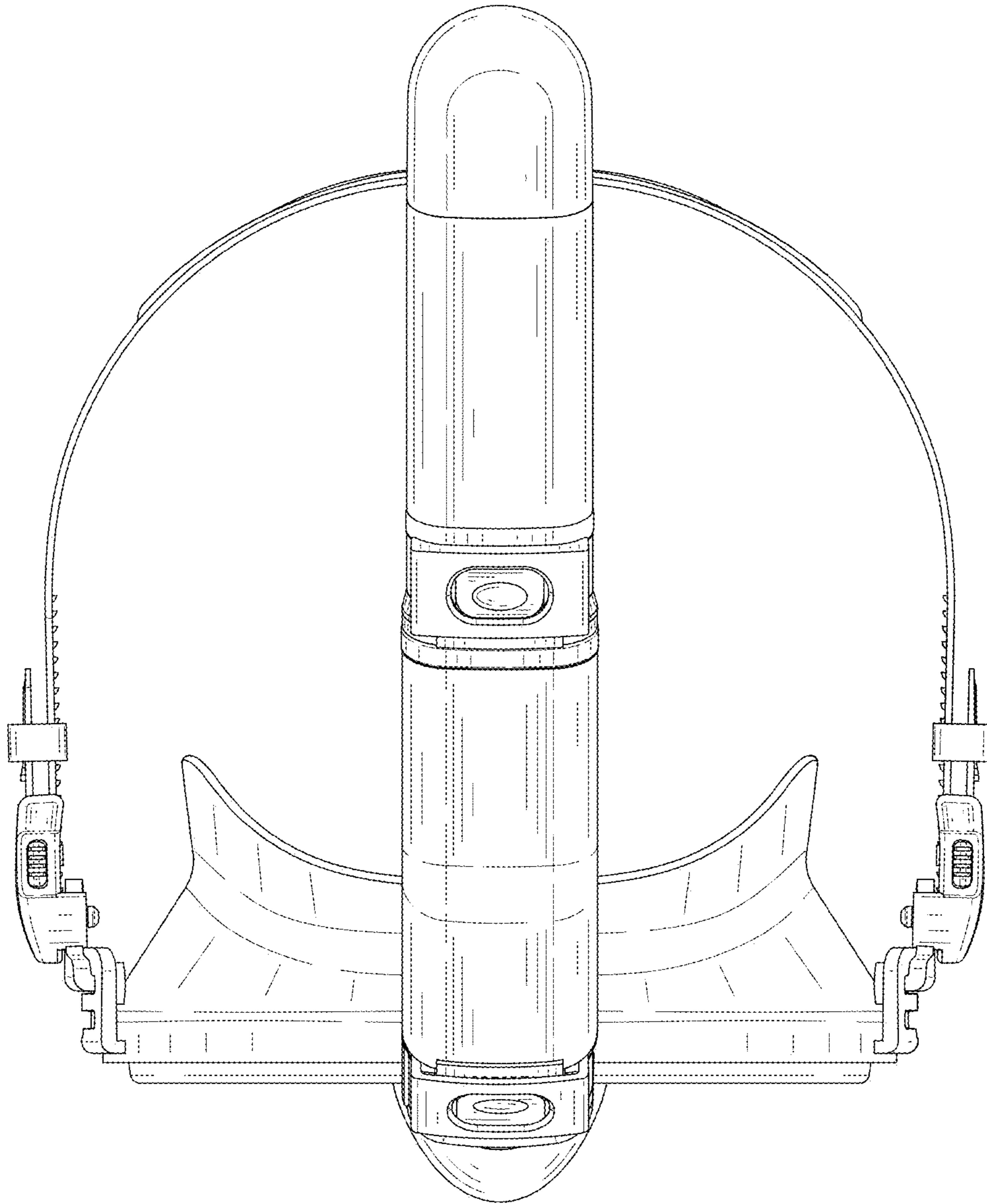


FIG. 7

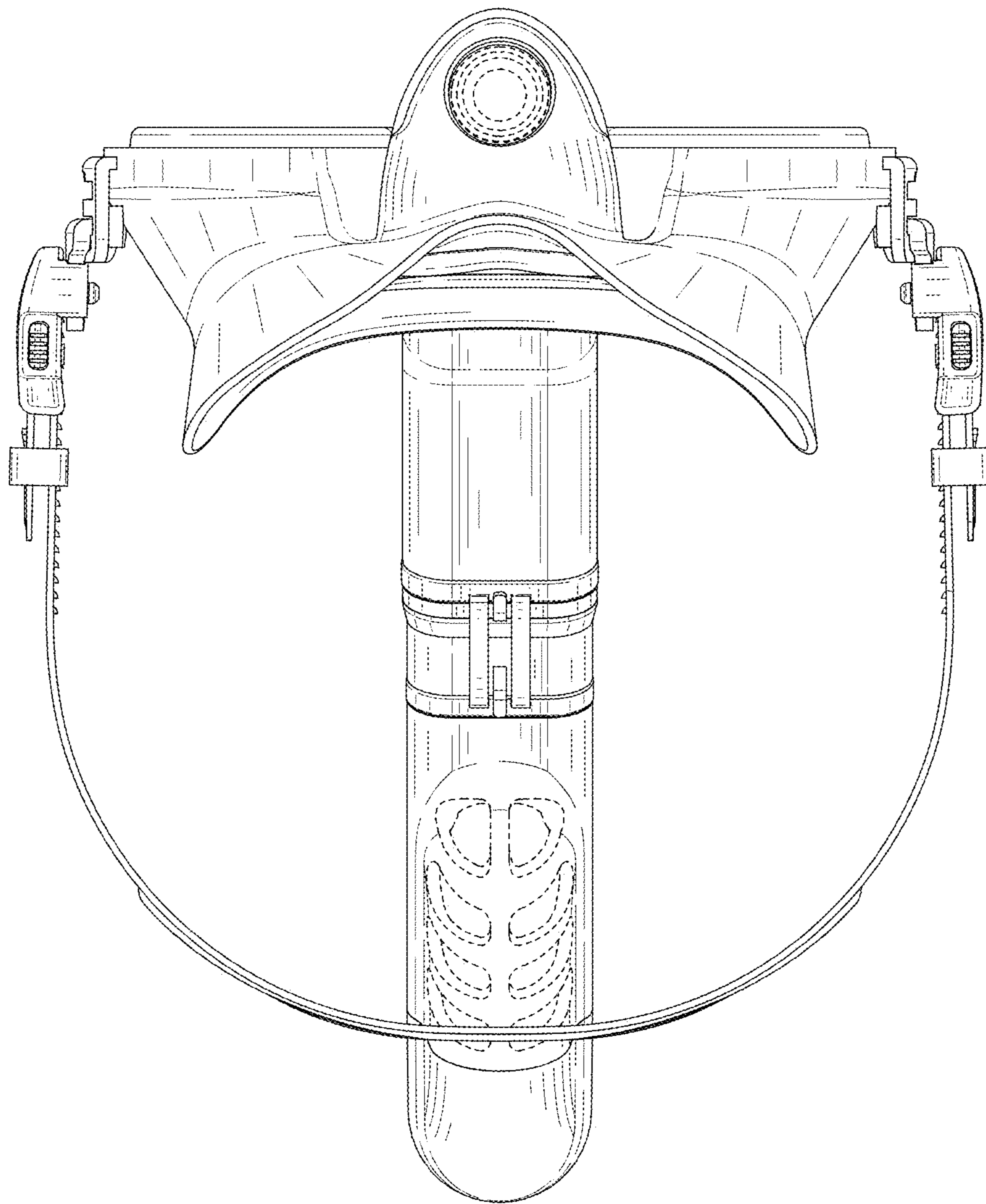


FIG. 8