



US00D975839S

(12) **United States Design Patent**  
**Kuo**

(10) **Patent No.:** **US D975,839 S**

(45) **Date of Patent:** **\*\* Jan. 17, 2023**

(54) **AIRWAY ADAPTER**

(71) Applicant: **COMDEK INDUSTRIAL CORPORATION**, New Taipei (TW)

(72) Inventor: **Yi-Sung Kuo**, New Taipei (TW)

(73) Assignee: **COMDEK INDUSTRIAL CORPORATION**, New Taipei (TW)

(\*\*) Term: **15 Years**

(21) Appl. No.: **29/766,407**

(22) Filed: **Jan. 15, 2021**

(51) **LOC (14) Cl.** ..... **29-02**

(52) **U.S. Cl.**  
USPC ..... **D24/110**; D24/129

(58) **Field of Classification Search**  
USPC .... D24/107, 108, 110, 110.6, 111, 127, 129,  
D24/164; D23/209, 233, 247, 262;  
285/308, 391  
CPC ..... A61M 16/0816; A61M 16/0833; A61M  
16/085; A61M 16/0858; A61M 16/0875  
See application file for complete search history.

(56) **References Cited**

**U.S. PATENT DOCUMENTS**

D342,135 S	*	12/1993	Goldberger	.....	D24/129
D546,946 S	*	7/2007	Blake	.....	D24/129
D613,873 S	*	4/2010	Jia	.....	D24/224
D719,258 S	*	12/2014	Li	.....	D24/129
D739,005 S	*	9/2015	Matsumura	.....	D24/108

D849,938 S	*	5/2019	Gloria Bello	.....	D24/129
D896,930 S	*	9/2020	Vranish	.....	D23/262
D899,589 S	*	10/2020	Illsley	.....	D24/129
10,806,894 B2	*	10/2020	Valaie	.....	A61M 25/0133
D918,378 S	*	5/2021	Boyle	.....	D24/164
D926,973 S	*	8/2021	Andersen	.....	D24/114
D940,298 S	*	1/2022	Hearn	.....	D27/162
D950,052 S	*	4/2022	Hietala	.....	D24/129
11,433,261 B2	*	9/2022	Fichman	.....	A41D 13/1115

\* cited by examiner

*Primary Examiner* — Richard Kearney

*Assistant Examiner* — Michael Hoffman

(74) *Attorney, Agent, or Firm* — Li & Cai Intellectual Property (USA) Office

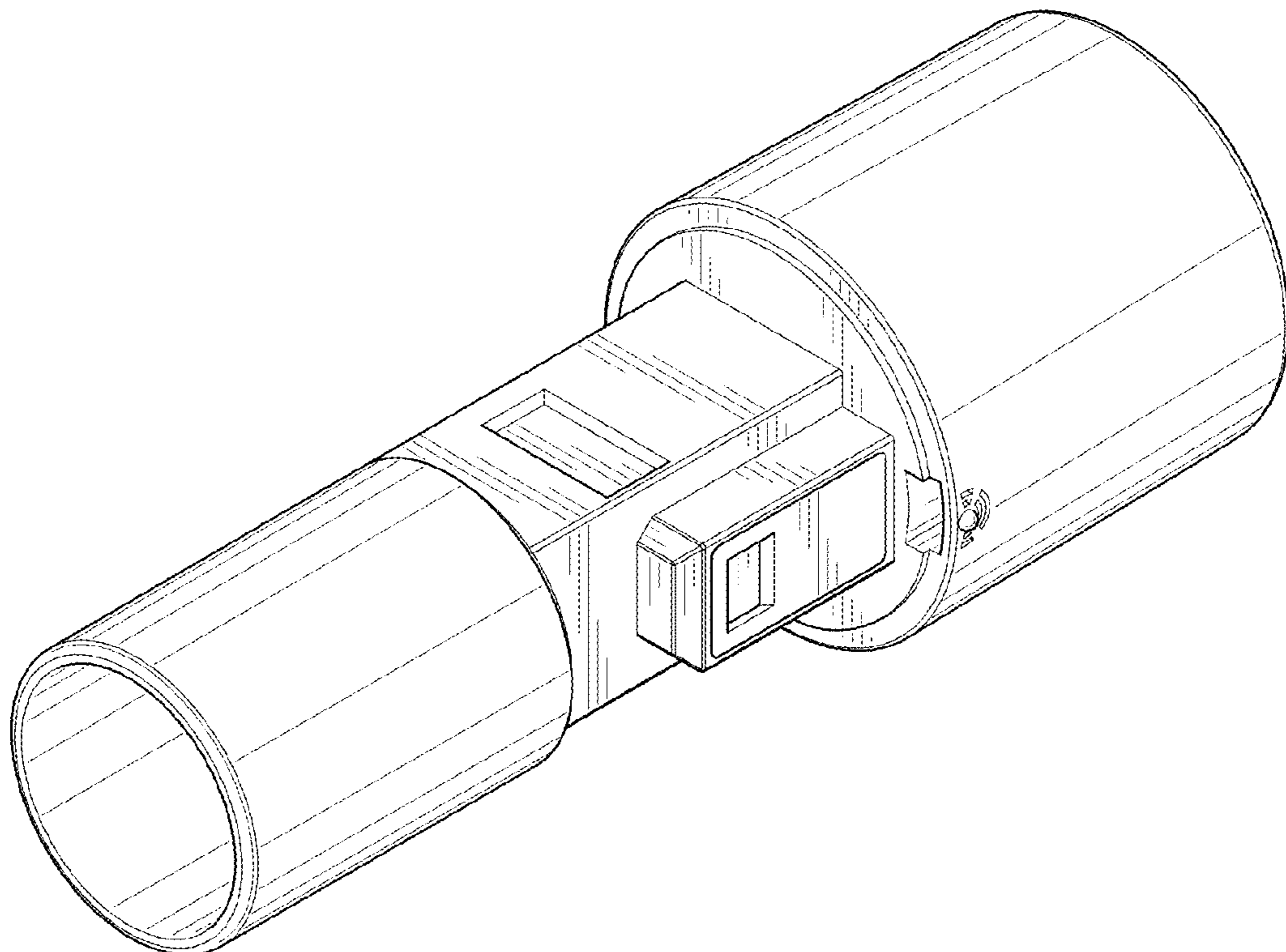
(57) **CLAIM**

The ornamental design for an airway adapter, as shown and described.

**DESCRIPTION**

FIG. 1 is a front, top, left side perspective view of an airway adapter showing the claimed design;  
FIG. 2 is a front elevational view thereof;  
FIG. 3 is a rear elevational view thereof;  
FIG. 4 is a left side elevational view thereof;  
FIG. 5 is a right side elevational view thereof;  
FIG. 6 is a top plan view thereof;  
FIG. 7 is a bottom plan view thereof; and,  
FIG. 8 is a rear, bottom, right side perspective view thereof.  
The dashed broken lines in the drawing depict portions of the airway adapter that form no part of the claimed design.

**1 Claim, 5 Drawing Sheets**



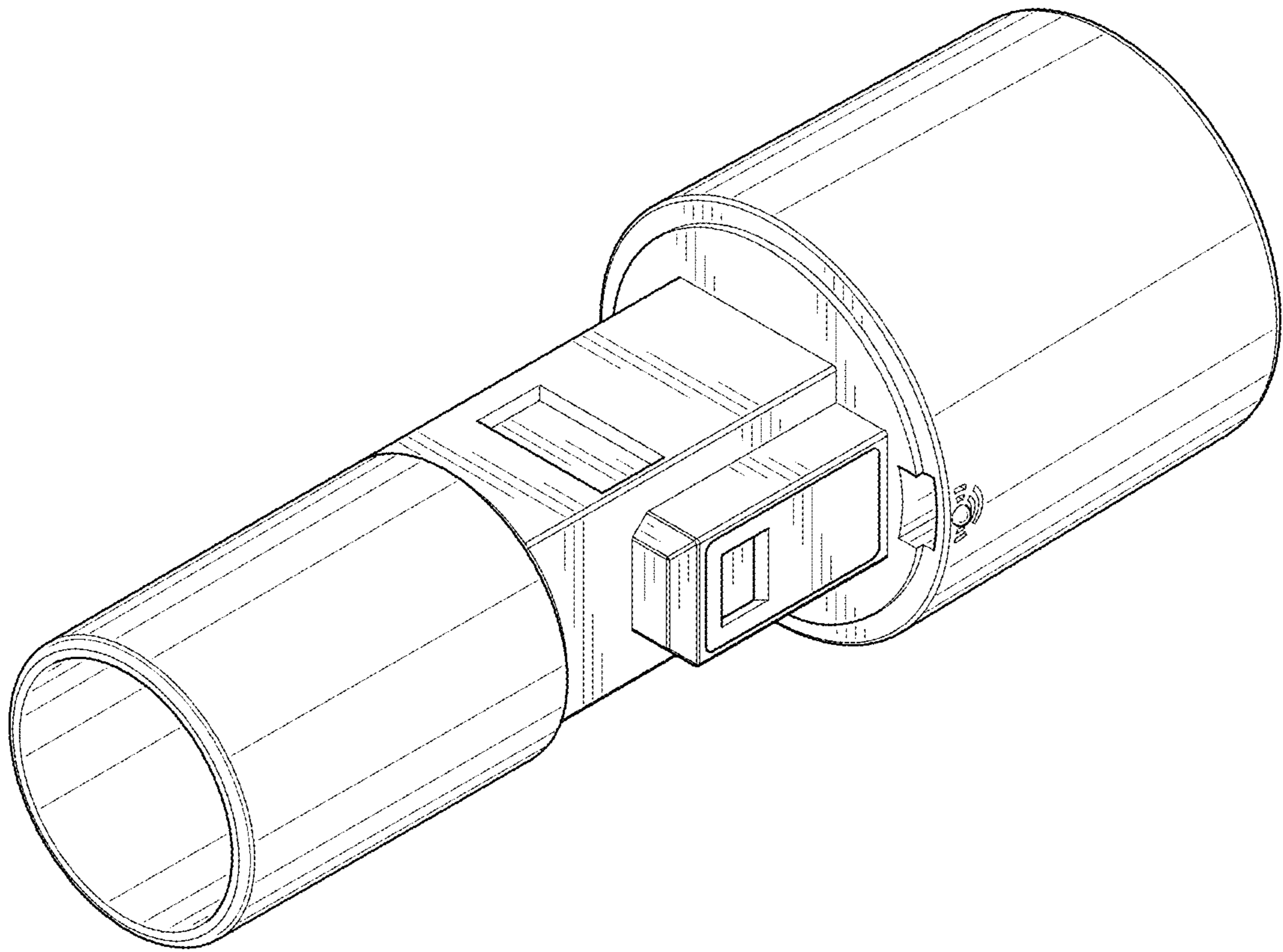


FIG. 1

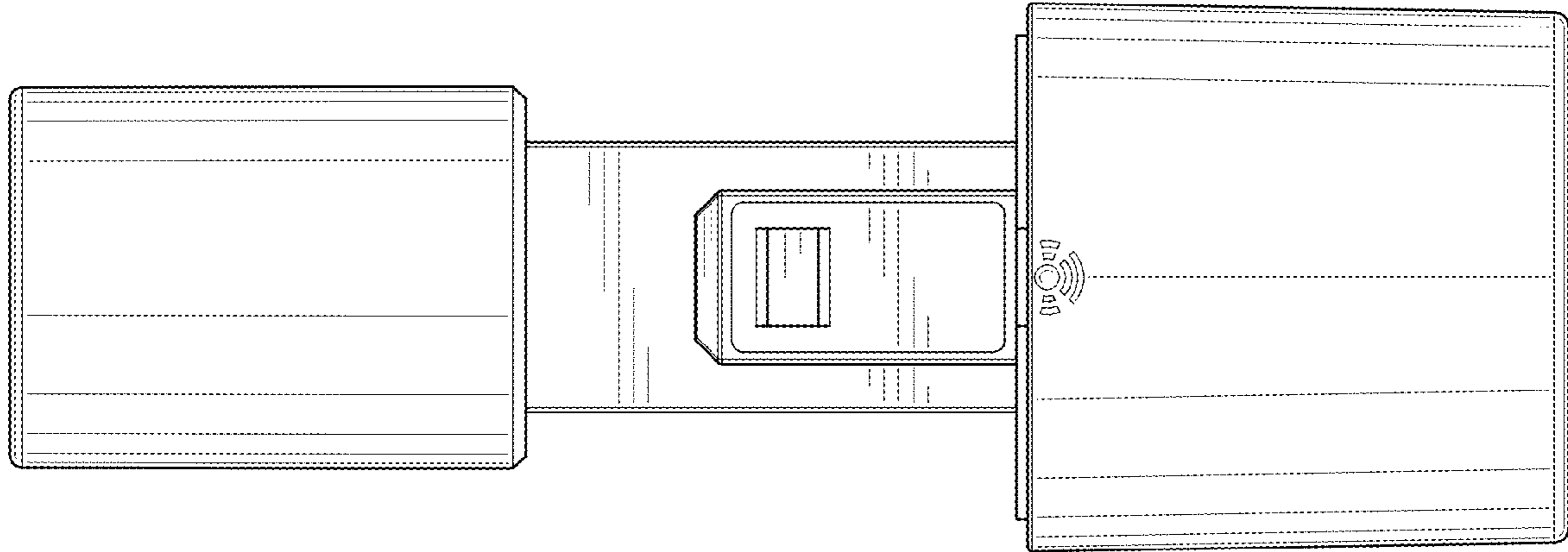


FIG. 2

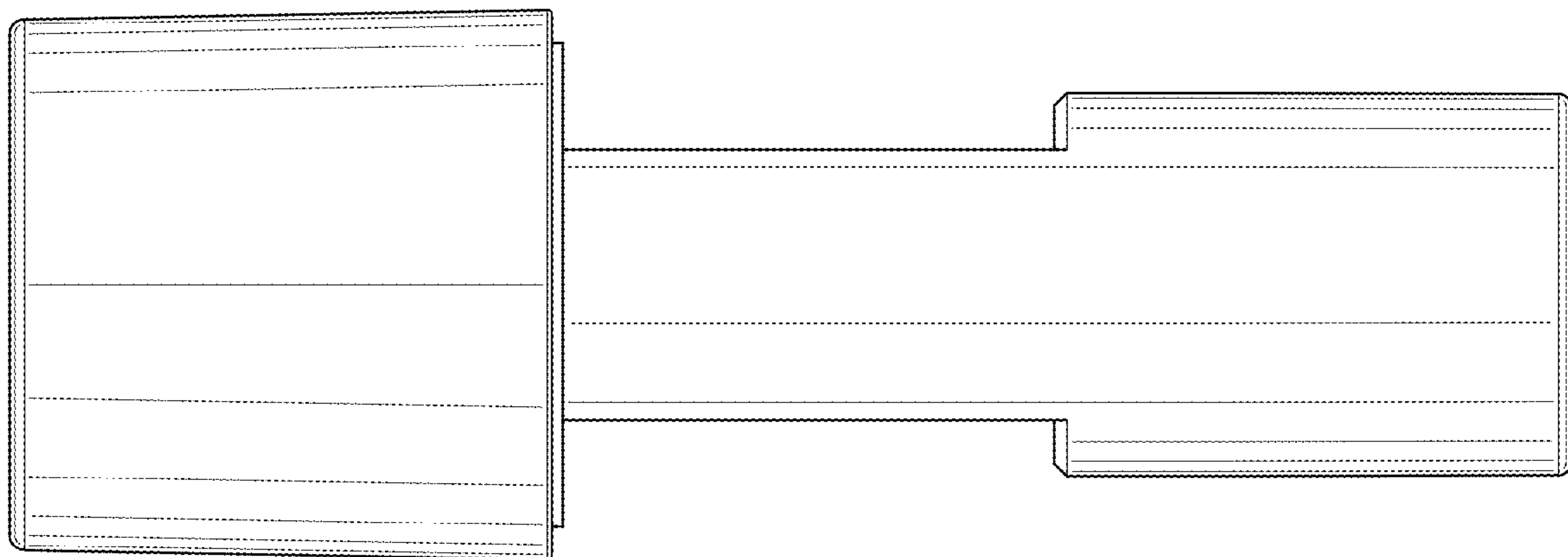


FIG. 3

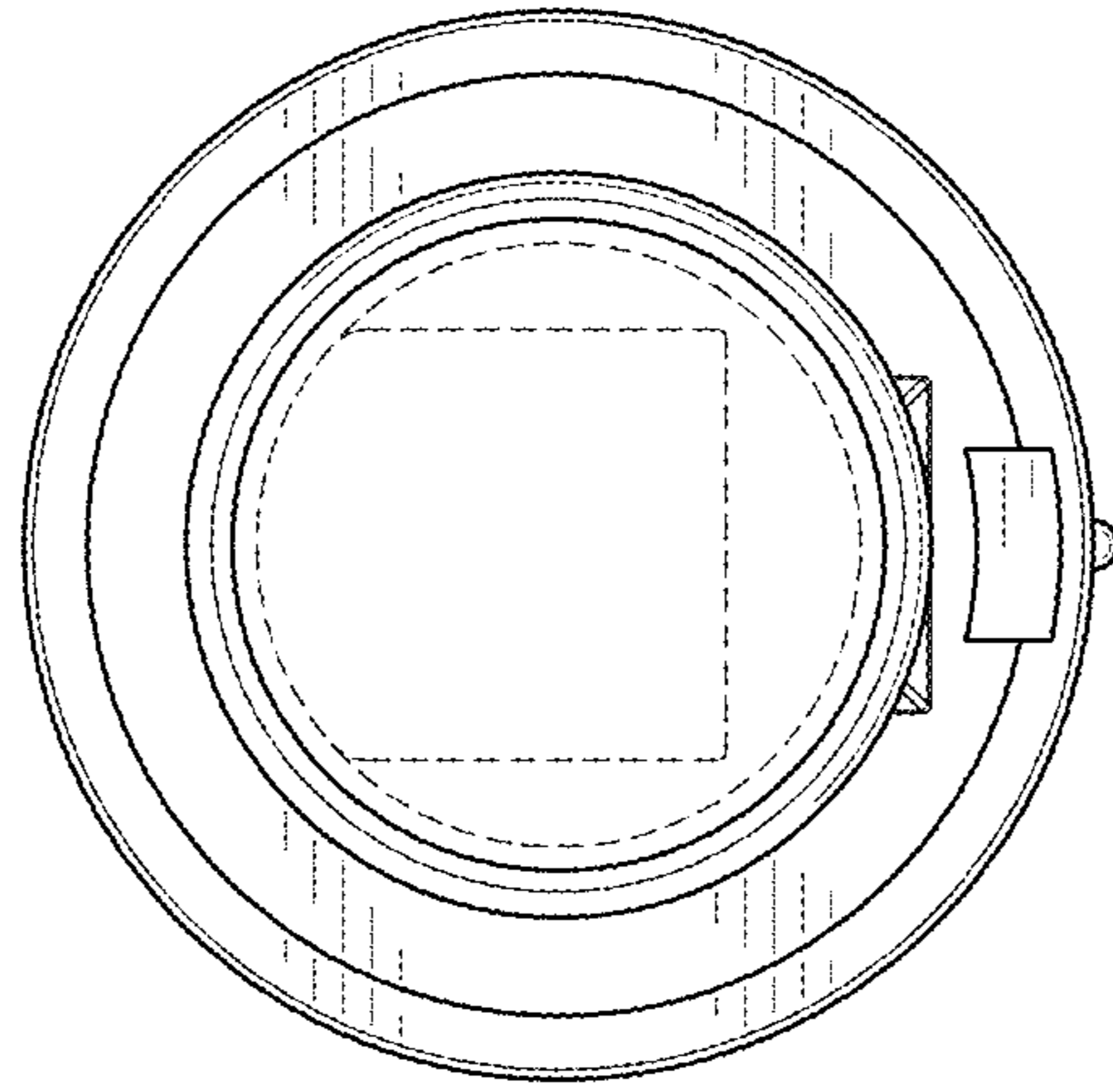


FIG. 4

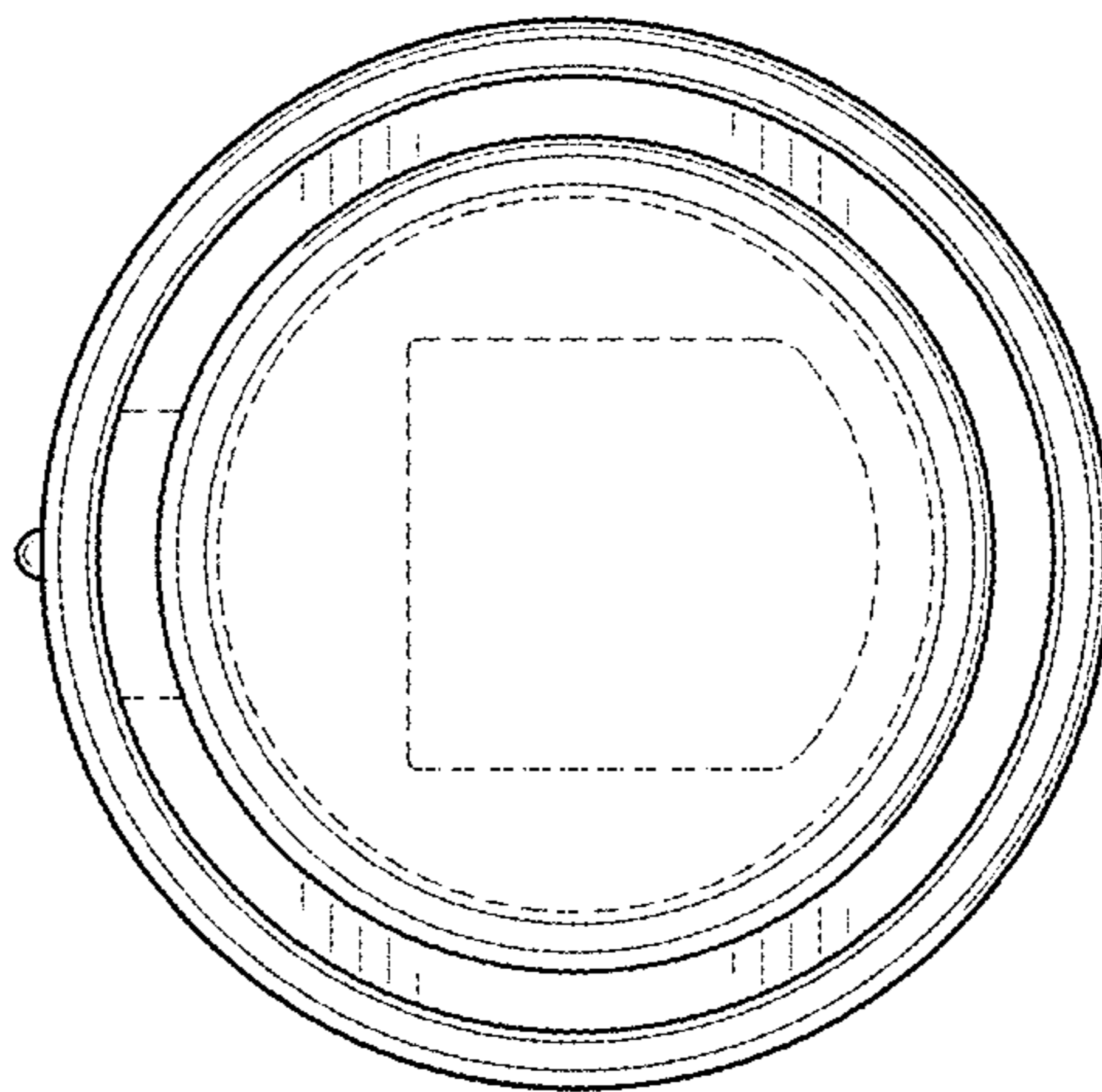


FIG. 5

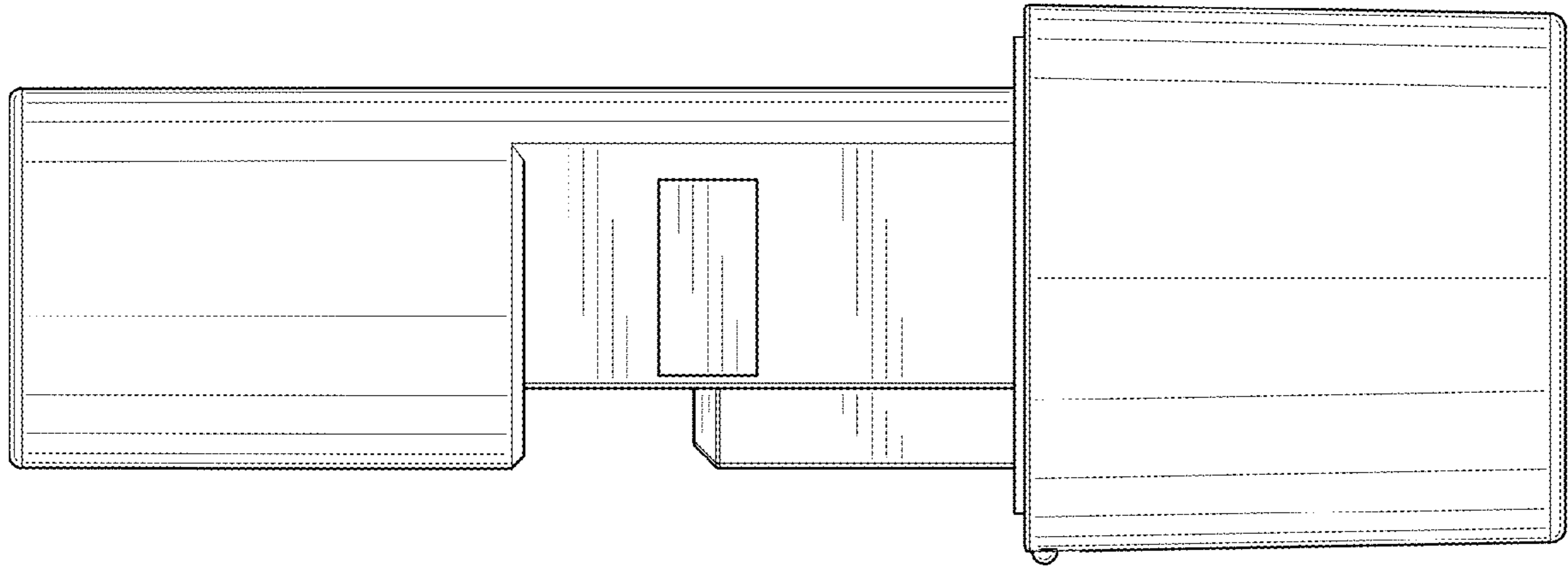


FIG. 6

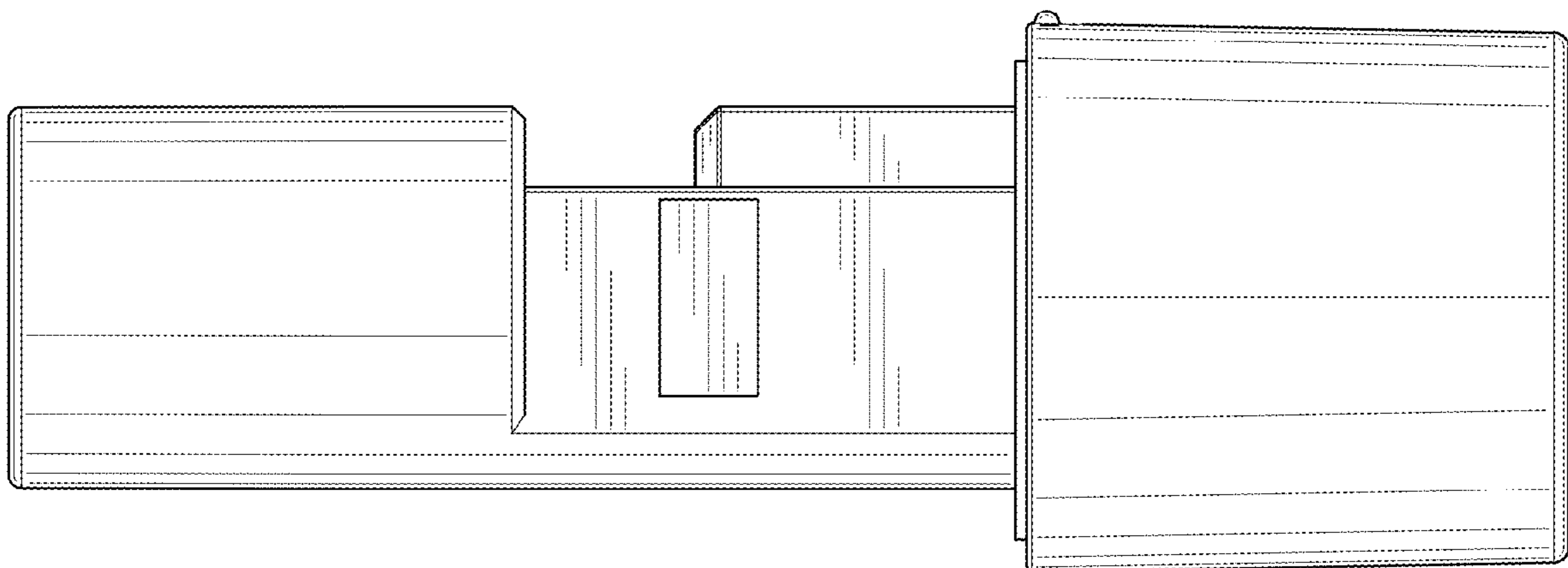


FIG. 7

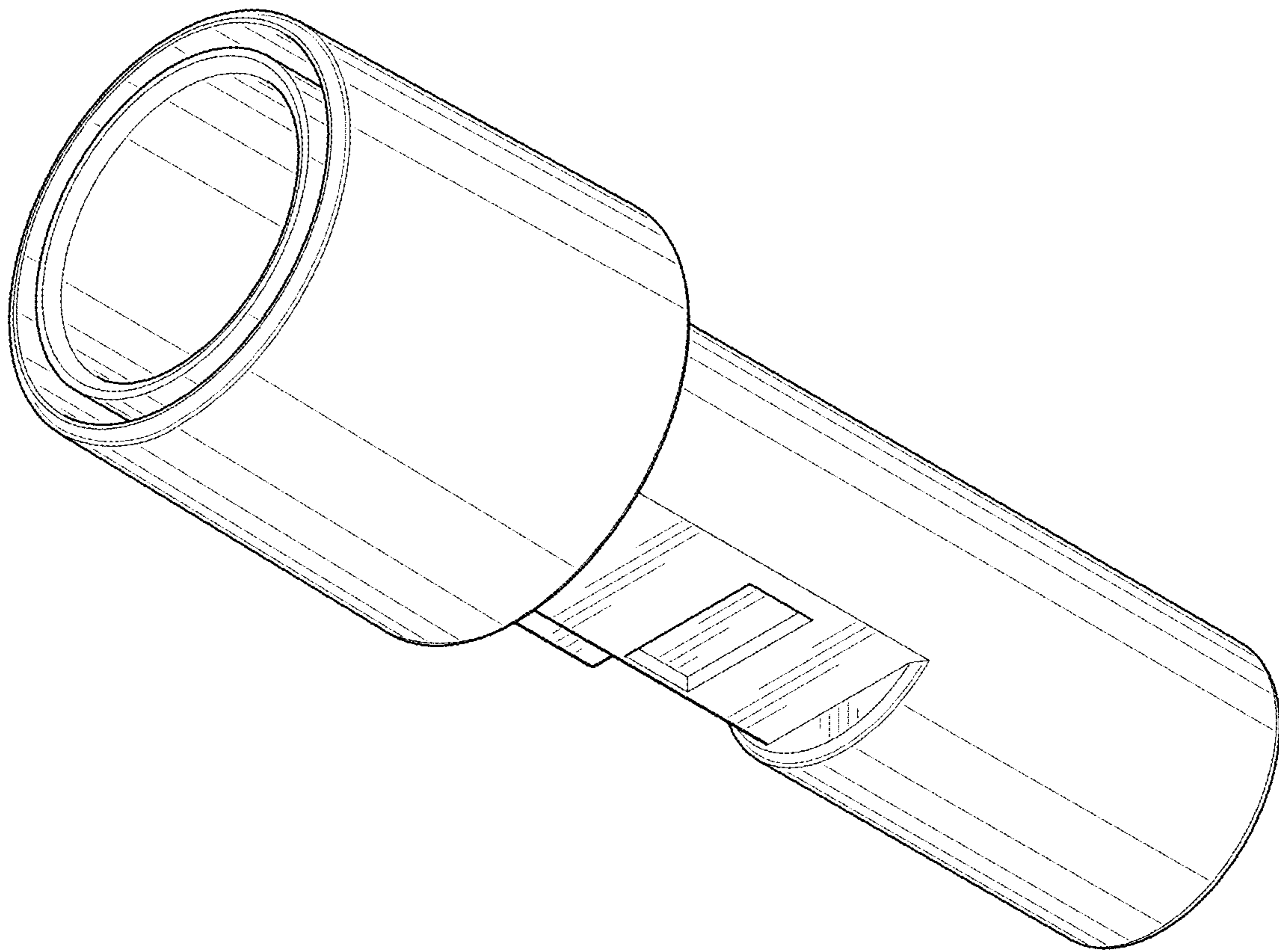


FIG. 8