



US00D975838S

(12) **United States Design Patent**  
**Kuo**

(10) **Patent No.:** **US D975,838 S**  
(45) **Date of Patent:** **\*\* Jan. 17, 2023**

- (54) **RESPIRATORY GAS ANALYZER**
- (71) Applicant: **COMDEK INDUSTRIAL CORPORATION**, New Taipei (TW)
- (72) Inventor: **Yi-Sung Kuo**, New Taipei (TW)
- (73) Assignee: **COMDEK INDUSTRIAL CORPORATION**, New Taipei (TW)
- (\*\*) Term: **15 Years**
- (21) Appl. No.: **29/766,380**
- (22) Filed: **Jan. 15, 2021**
- (51) **LOC (14) Cl.** ..... **29-02**
- (52) **U.S. Cl.**  
USPC ..... **D24/110; D24/129**
- (58) **Field of Classification Search**  
USPC .... D24/107, 108, 110, 110.6, 111, 127, 129,  
D24/164; D23/209, 233, 247, 262;  
285/308, 391  
CPC ..... A61M 16/0816; A61M 16/0833; A61M  
16/085; A61M 16/0858; A61M 16/0875  
See application file for complete search history.

(56) **References Cited**

**U.S. PATENT DOCUMENTS**

- 5,251,121 A \* 10/1993 Knodle ..... G01N 21/3504  
307/106
- 5,793,044 A \* 8/1998 Mace ..... G01N 21/3504  
250/343
- D882,076 S \* 4/2020 Gavalis ..... D24/129
- D941,465 S \* 1/2022 Guala ..... D24/129
- D946,752 S \* 3/2022 Frampton ..... D24/227
- D950,045 S \* 4/2022 Black, III ..... D24/127
- D950,046 S \* 4/2022 Black, III ..... D24/127

- 2002/0029003 A1\* 3/2002 Mace ..... G01N 21/3504  
600/538
- 2005/0285055 A1\* 12/2005 DelFavero ..... G01N 21/3504  
250/504 R
- 2014/0361176 A1\* 12/2014 Russell ..... G01N 33/50  
250/343
- 2015/0238722 A1\* 8/2015 Al-Ali ..... A61M 16/085  
128/205.13
- 2022/0026355 A1\* 1/2022 Normand ..... G01J 3/0229
- 2022/0187192 A1\* 6/2022 Kuo ..... G01N 21/85

\* cited by examiner

*Primary Examiner* — Richard Kearney

*Assistant Examiner* — Michael Hoffman

(74) *Attorney, Agent, or Firm* — Li & Cai Intellectual Property Office

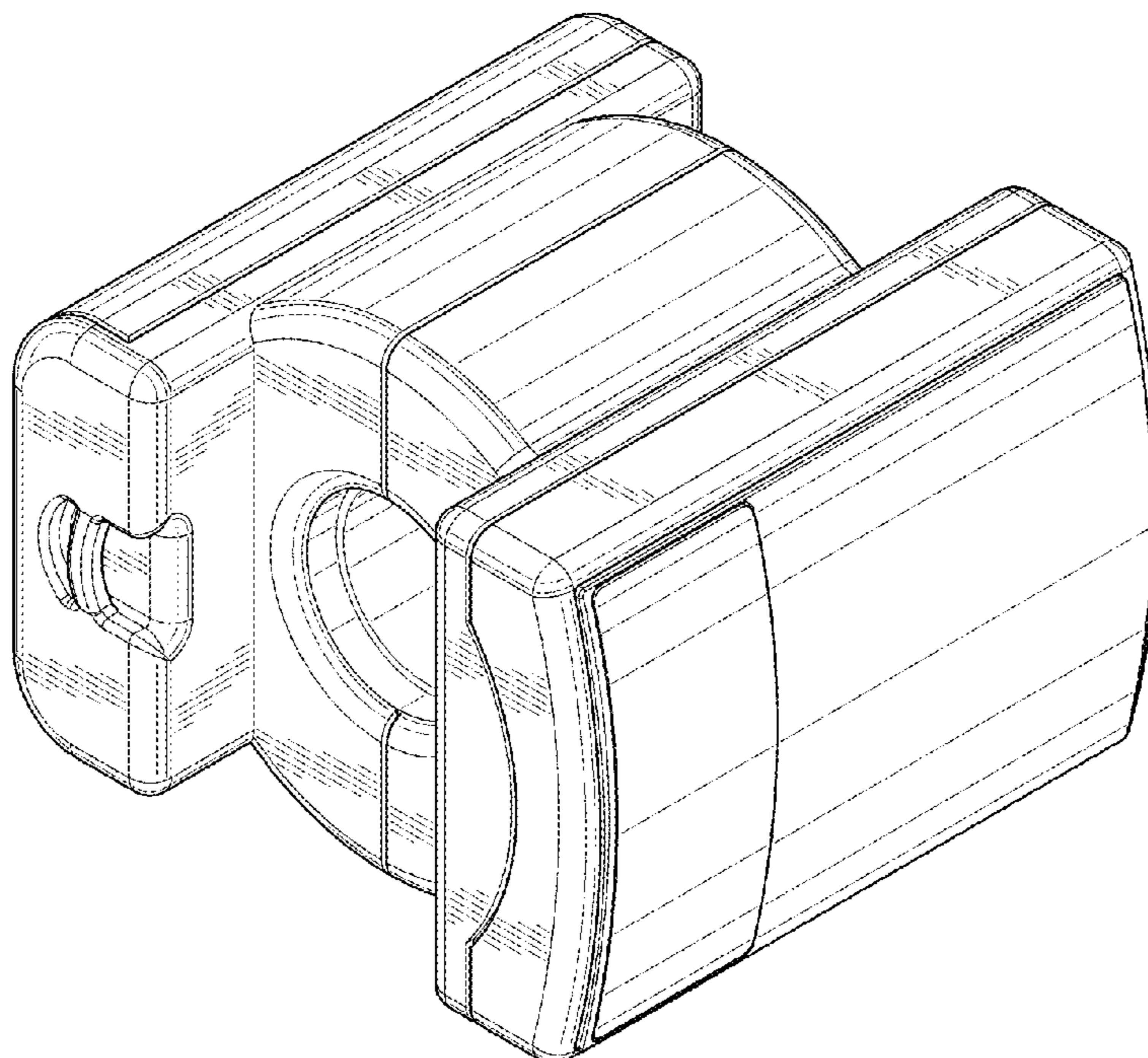
(57) **CLAIM**

The ornamental design for a respiratory gas analyzer, as shown and described.

**DESCRIPTION**

FIG. 1 is a front, top, right perspective view of a respiratory gas analyzer, showing the claimed design;  
 FIG. 2 is a front elevational view thereof;  
 FIG. 3 is a rear elevational view thereof;  
 FIG. 4 is a left side elevational view thereof;  
 FIG. 5 is a right side elevational view thereof;  
 FIG. 6 is a top plan view thereof;  
 FIG. 7 is a bottom plan view thereof; and,  
 FIG. 8 is a rear, bottom, left perspective view thereof.  
 The dashed broken lines in the drawing depict portions of the respiratory gas analyzer that form no part of the claimed design.

**1 Claim, 5 Drawing Sheets**



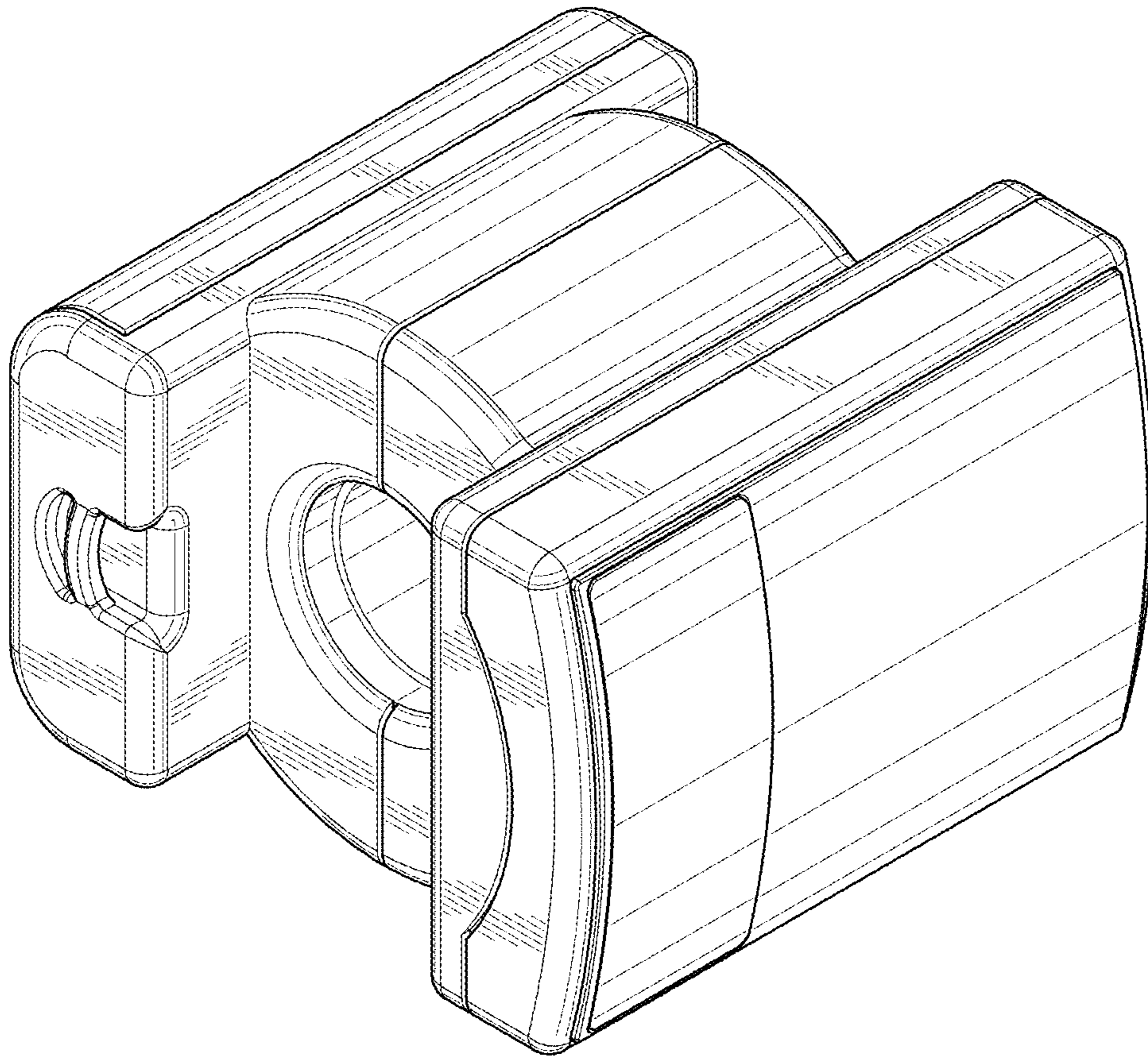


FIG. 1

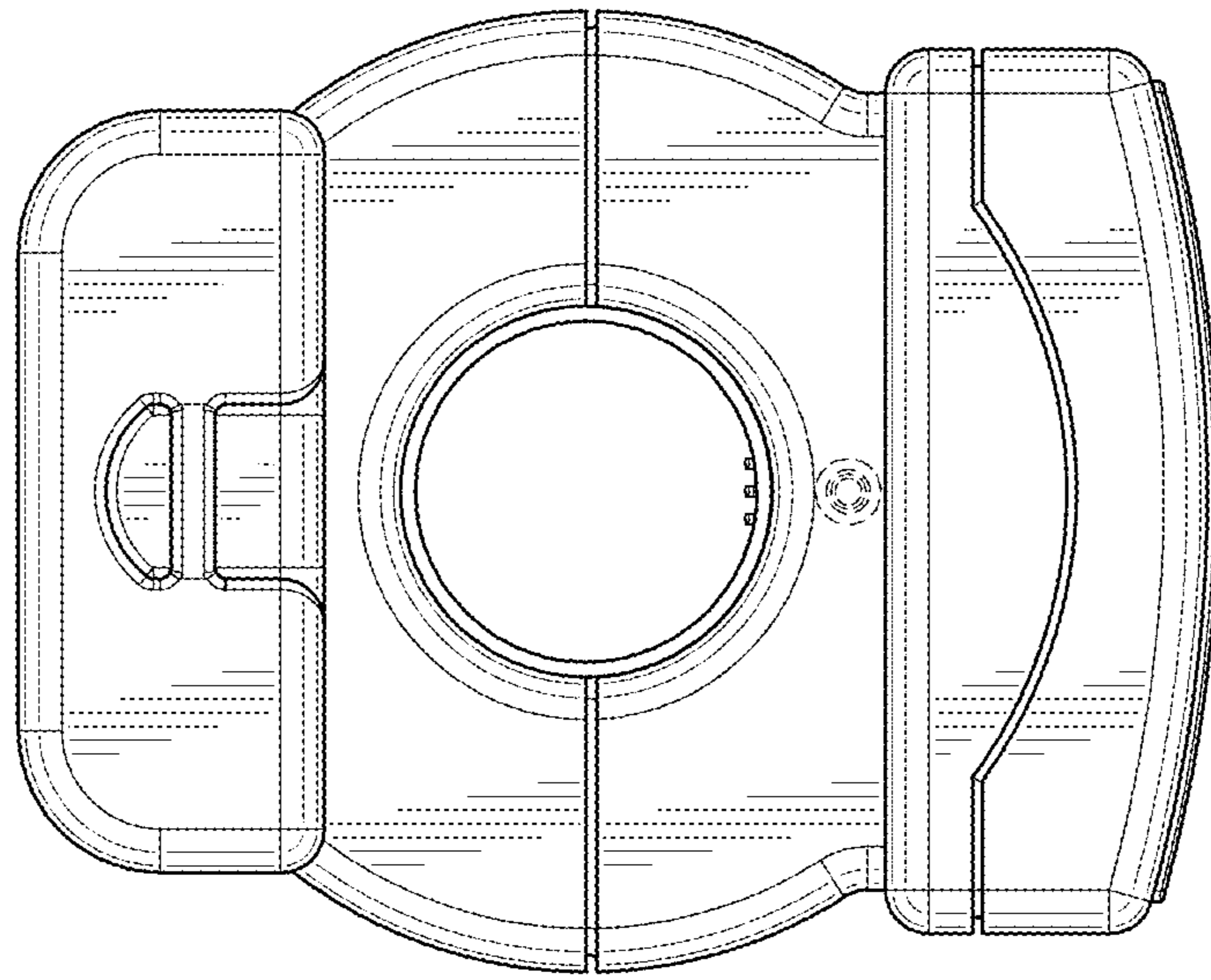


FIG. 2

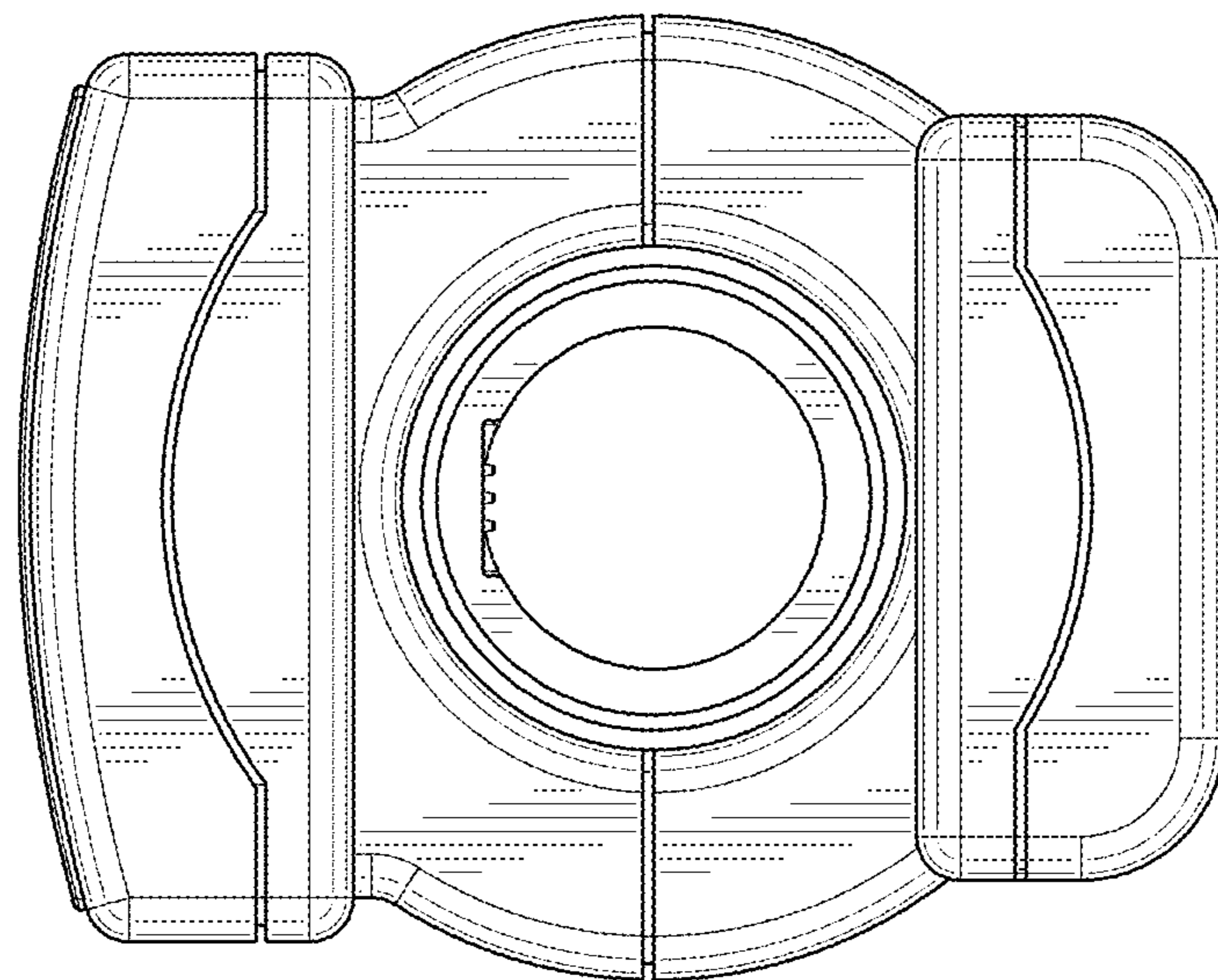


FIG. 3

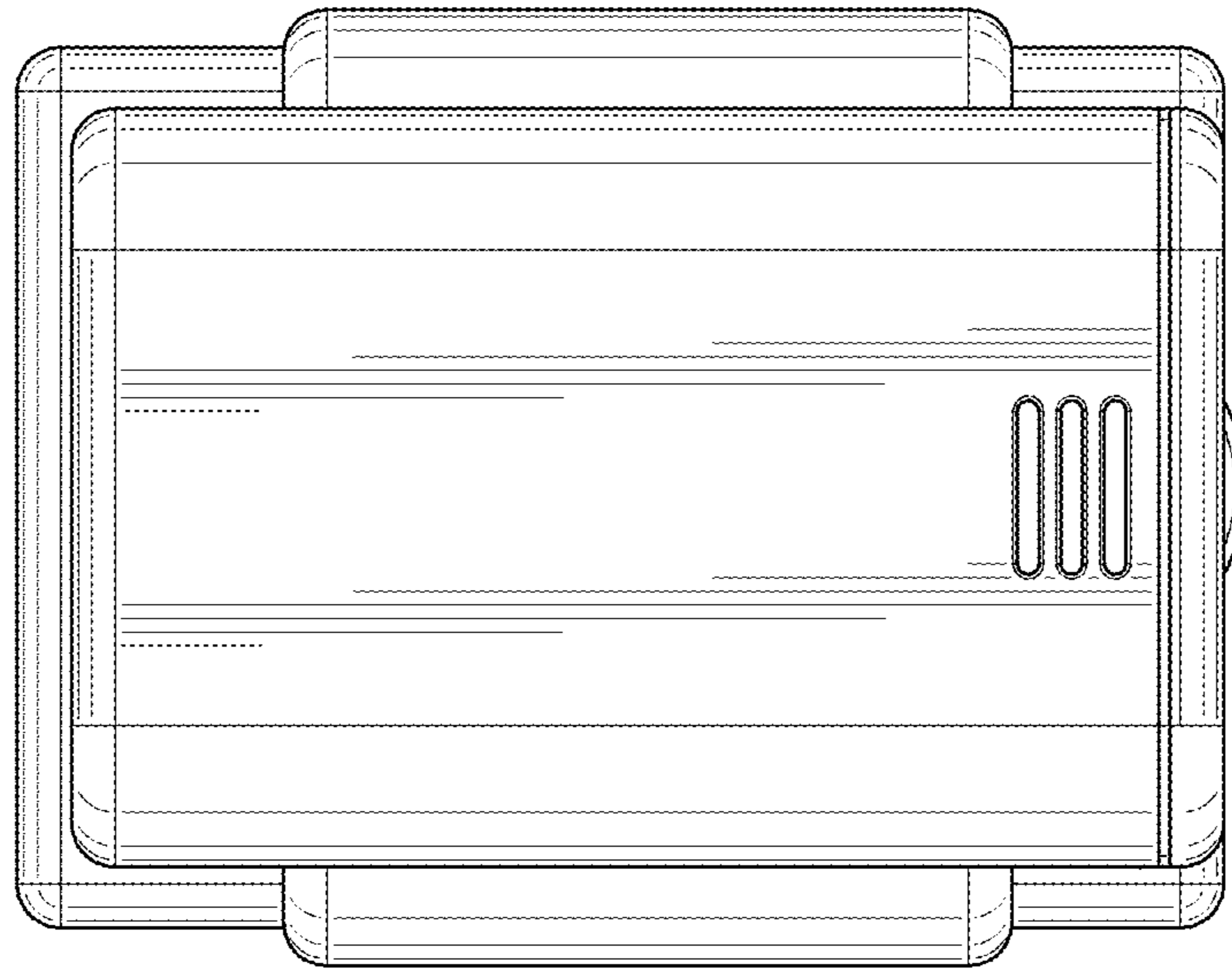


FIG. 4

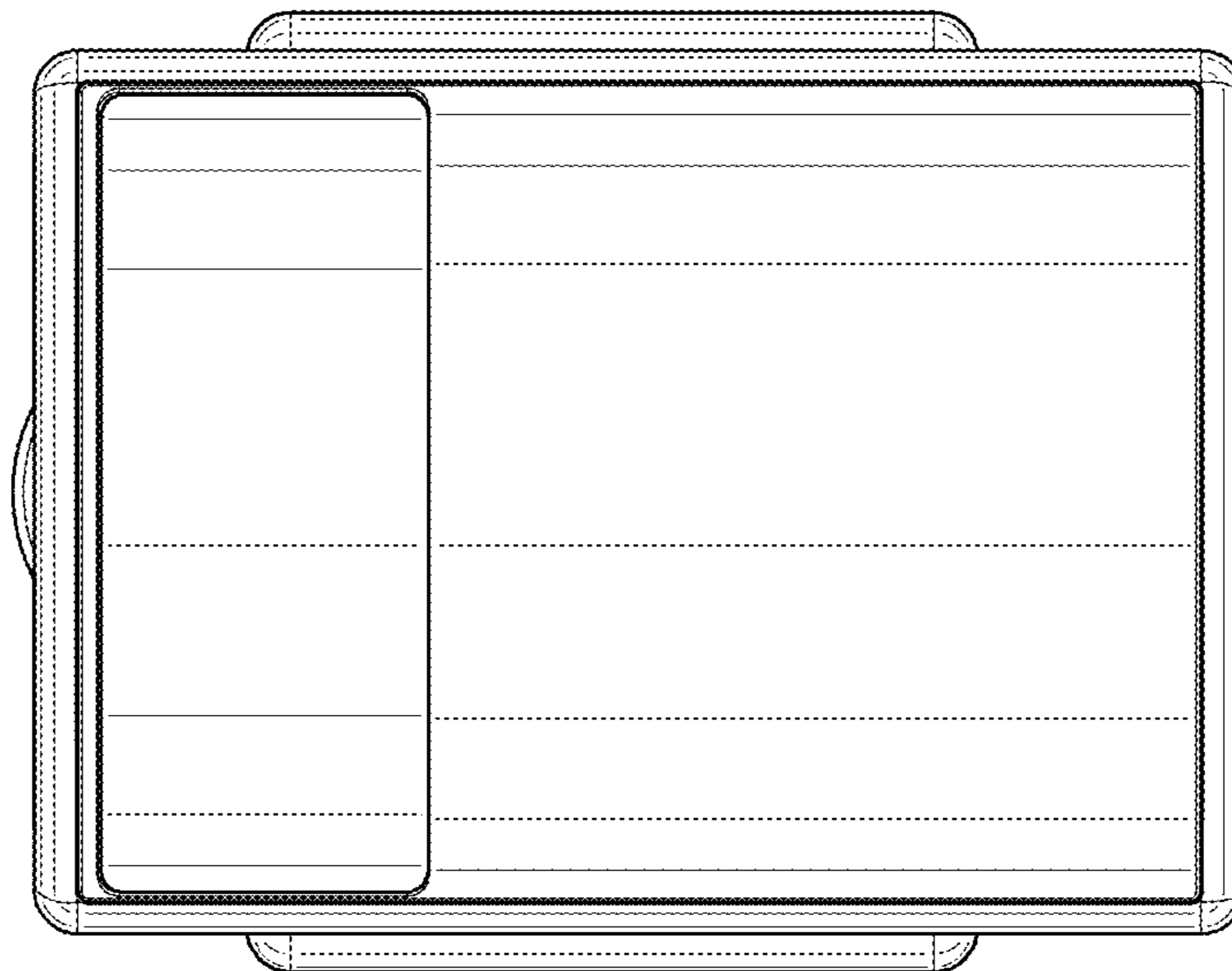


FIG. 5

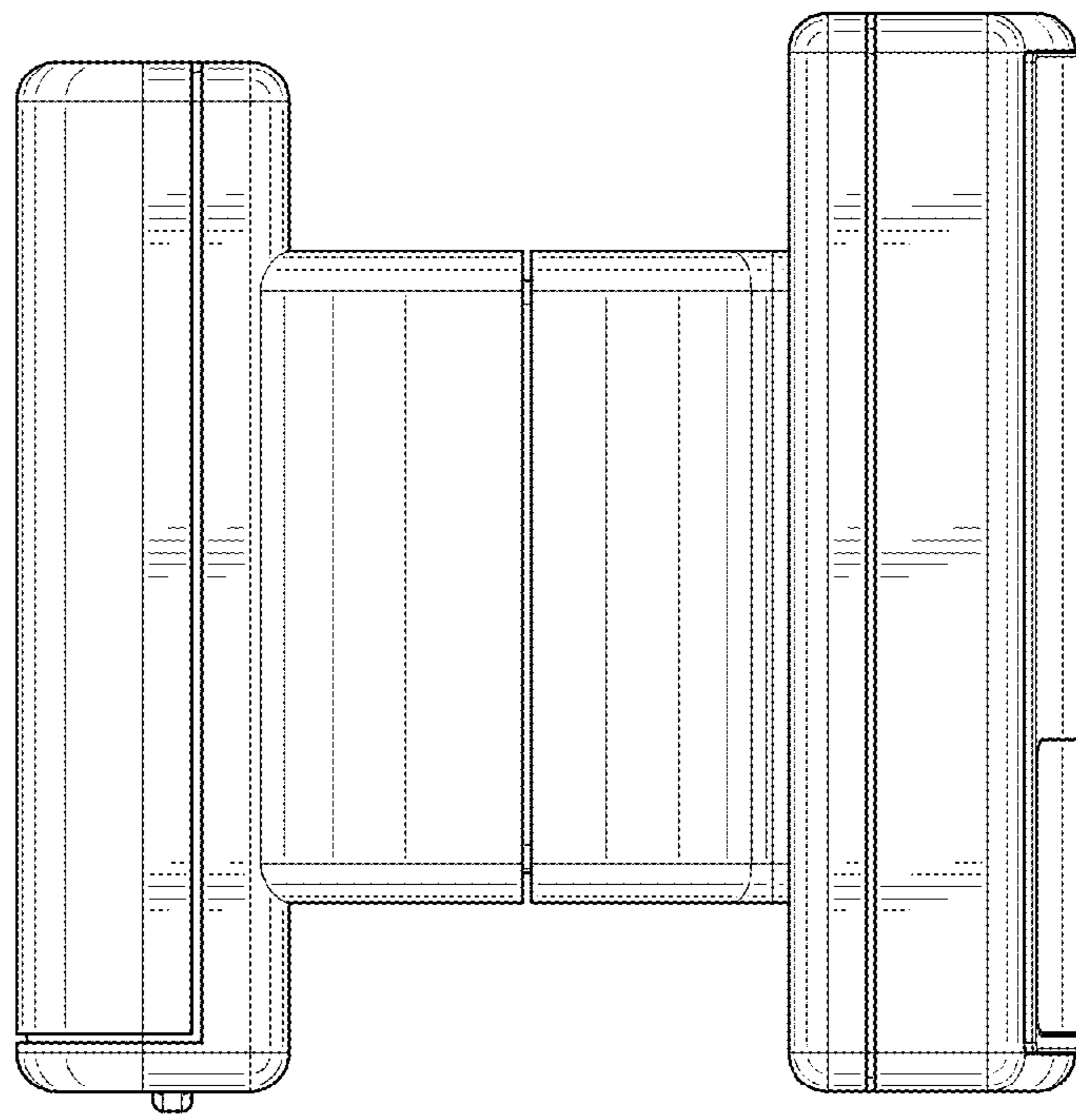


FIG. 6

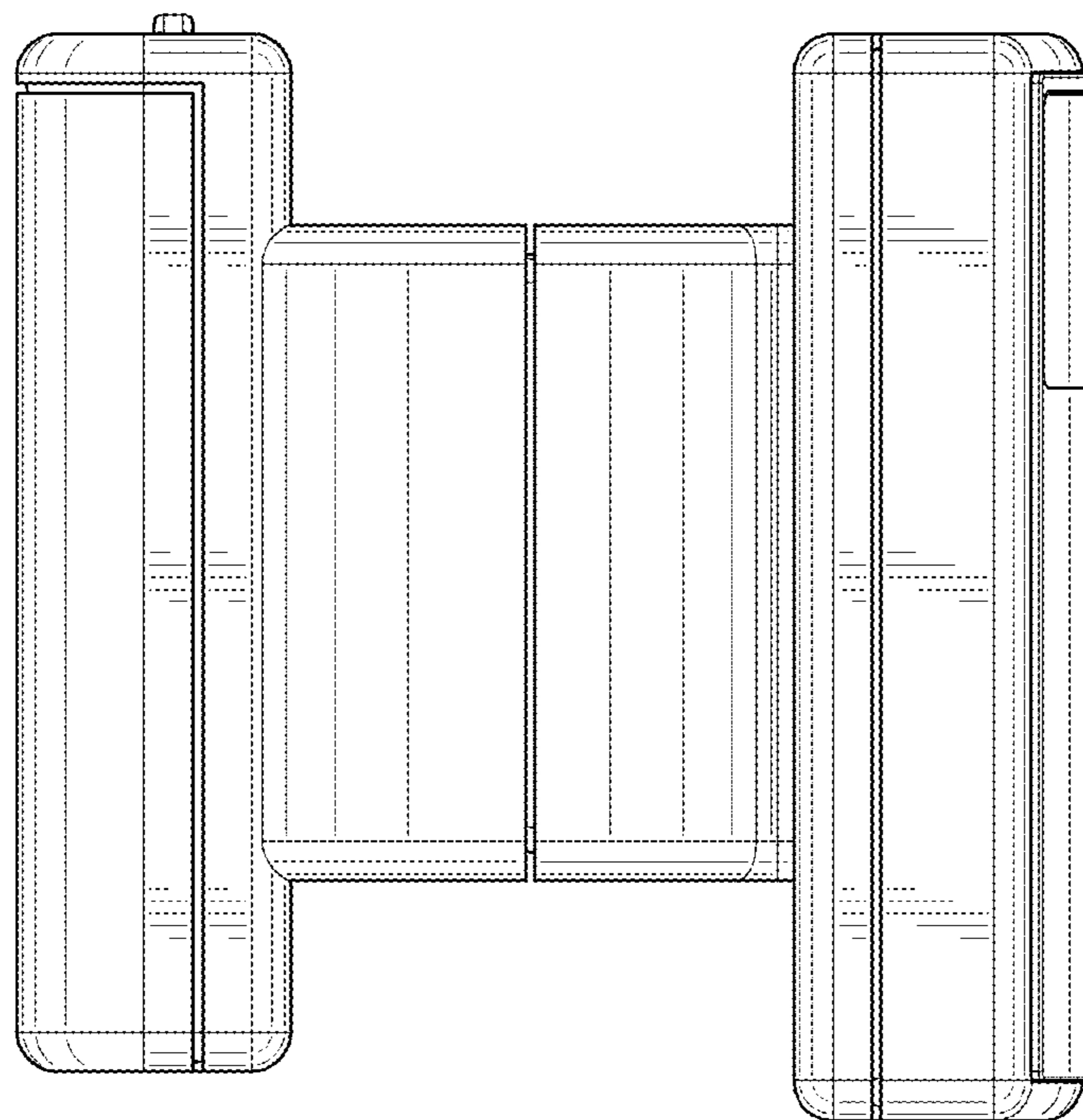


FIG. 7

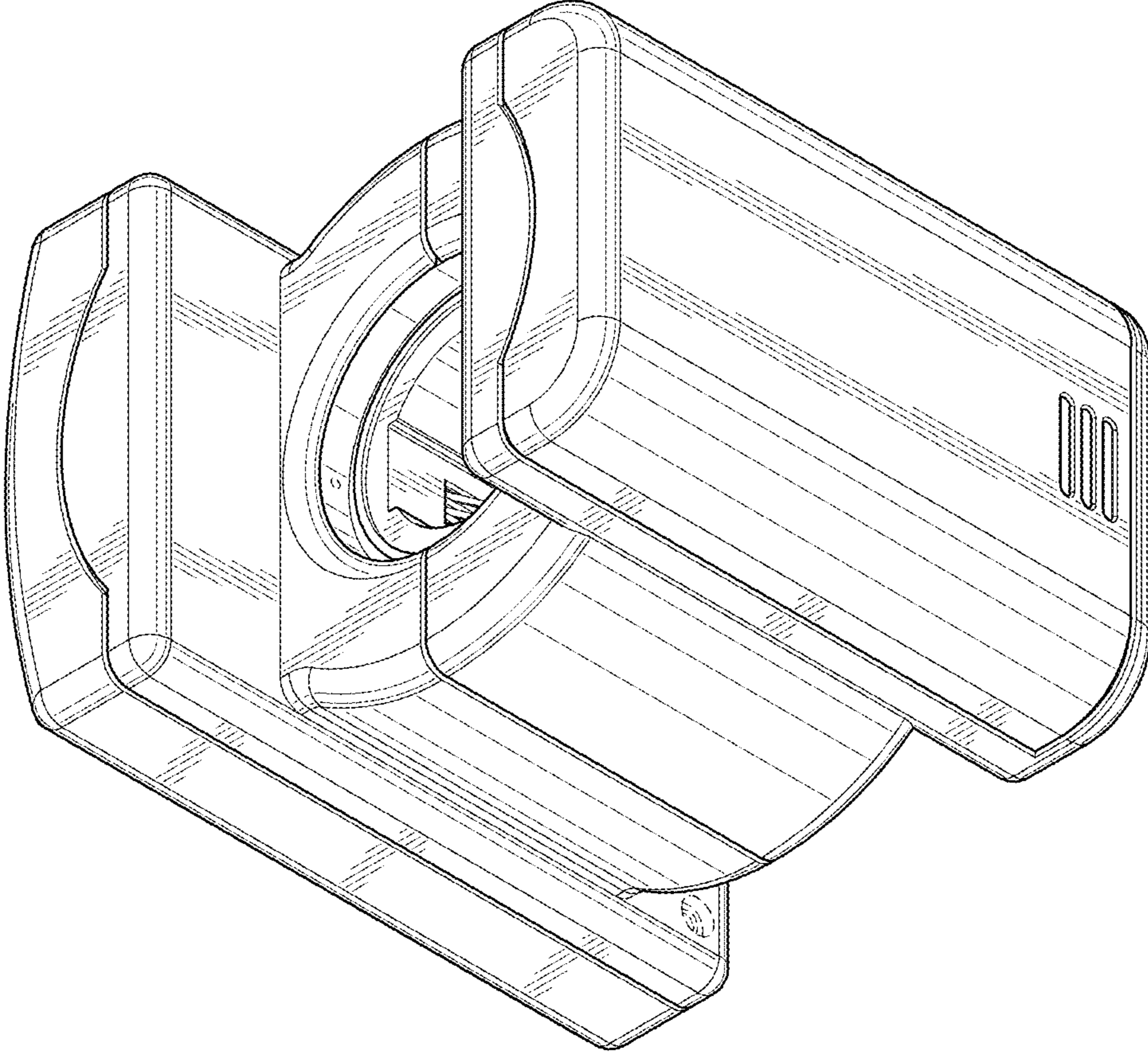


FIG. 8