



US00D975837S

(12) **United States Design Patent**
Yan

(10) **Patent No.:** **US D975,837 S**
(45) **Date of Patent:** **** Jan. 17, 2023**

(54) **ELECTRIC BREAST PUMP**

(71) Applicant: **Jinzhong Yan**, Qingyuan (CN)

(72) Inventor: **Jinzhong Yan**, Qingyuan (CN)

(**) Term: **15 Years**

(21) Appl. No.: **29/830,775**

(22) Filed: **Mar. 15, 2022**

(30) **Foreign Application Priority Data**

Dec. 8, 2021 (CN) 202130809150.8

(51) **LOC (14) Cl.** **24-02**

(52) **U.S. Cl.**
USPC **D24/109**

(58) **Field of Classification Search**
USPC D24/107-109, 111, 113, 127, 185, 193,
D24/197; D7/700; D9/500, 549;
D13/168; D14/203.2-203.8; 604/74-76,
604/364

CPC A61M 1/00; A61M 1/06; A61M 1/062;
A61M 1/064; A61M 1/066; A61M 1/067;
A61M 1/069; A61M 1/80; A61M 1/82;
A61J 9/00; A61J 13/00; A61J 2200/50;
A61J 2200/76

See application file for complete search history.

(56) **References Cited**

U.S. PATENT DOCUMENTS

7,789,865 B2 * 9/2010 Myers A61M 1/064
604/74
D832,995 S * 11/2018 Mason D24/109
10,625,005 B2 * 4/2020 Chang A61M 1/60

D909,993 S * 2/2021 Han D10/2
D911,514 S 2/2021 Pelzl et al.
D936,823 S * 11/2021 Zhang D24/109
D939,688 S 12/2021 He
11,235,093 B1 * 2/2022 Visconti A61M 1/062
D951,429 S * 5/2022 Zhang D24/109
D965,136 S * 9/2022 Feng D24/109
D967,398 S * 10/2022 Gong D24/109
D967,399 S * 10/2022 Yan D24/109
2018/0361040 A1 * 12/2018 O'Toole A61M 1/062
2021/0030934 A1 * 2/2021 Zhang A61M 1/06935
2021/0060220 A1 * 3/2021 Chang A61M 1/067

* cited by examiner

Primary Examiner — Richard Kearney

Assistant Examiner — Michael Hoffman

(74) *Attorney, Agent, or Firm* — Georgi Korobanov

(57) **CLAIM**

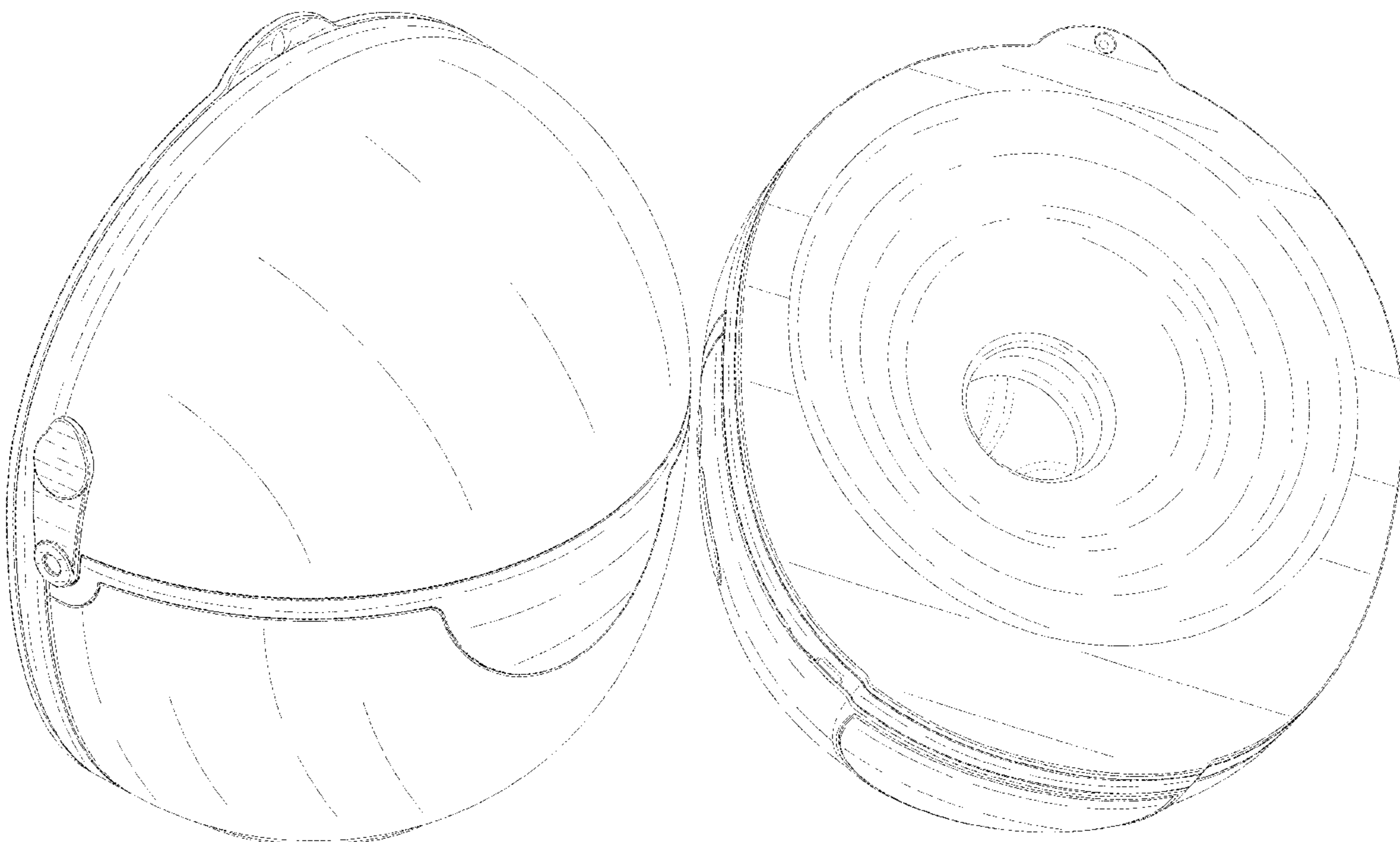
The ornamental design for an electric breast pump, as shown and described.

DESCRIPTION

FIG. 1 is a perspective view of an electric breast pump, showing my new design;
FIG. 2 is another perspective view thereof;
FIG. 3 is a front view thereof;
FIG. 4 is a rear view thereof;
FIG. 5 is a left side view thereof;
FIG. 6 is a right side view thereof;
FIG. 7 is a top plan view thereof; and,
FIG. 8 is a bottom plan view thereof.

The broken line showing of the electric breast pump is for the purpose of illustrating article and forms no part of the claimed design.

1 Claim, 8 Drawing Sheets



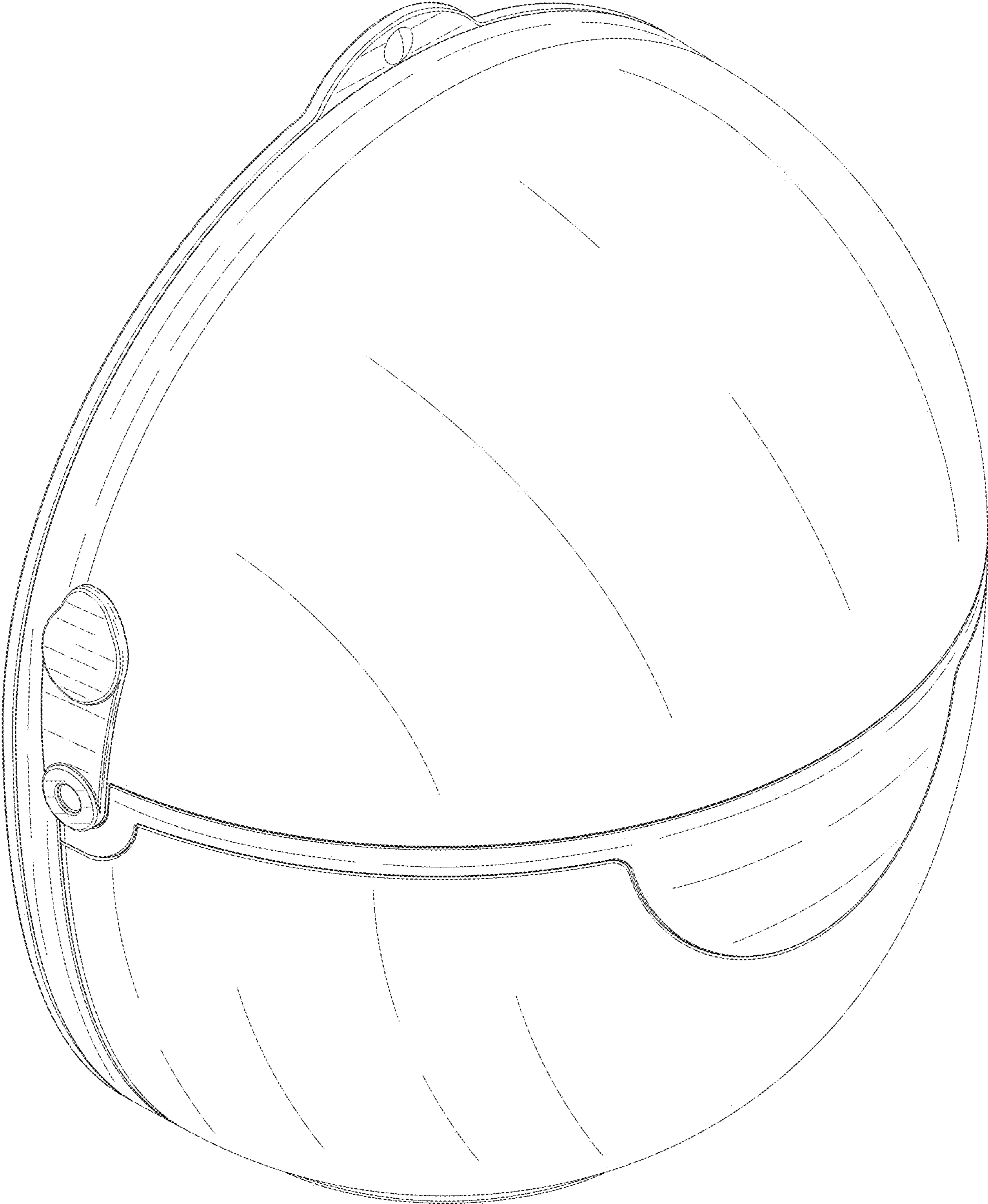


FIG. 1

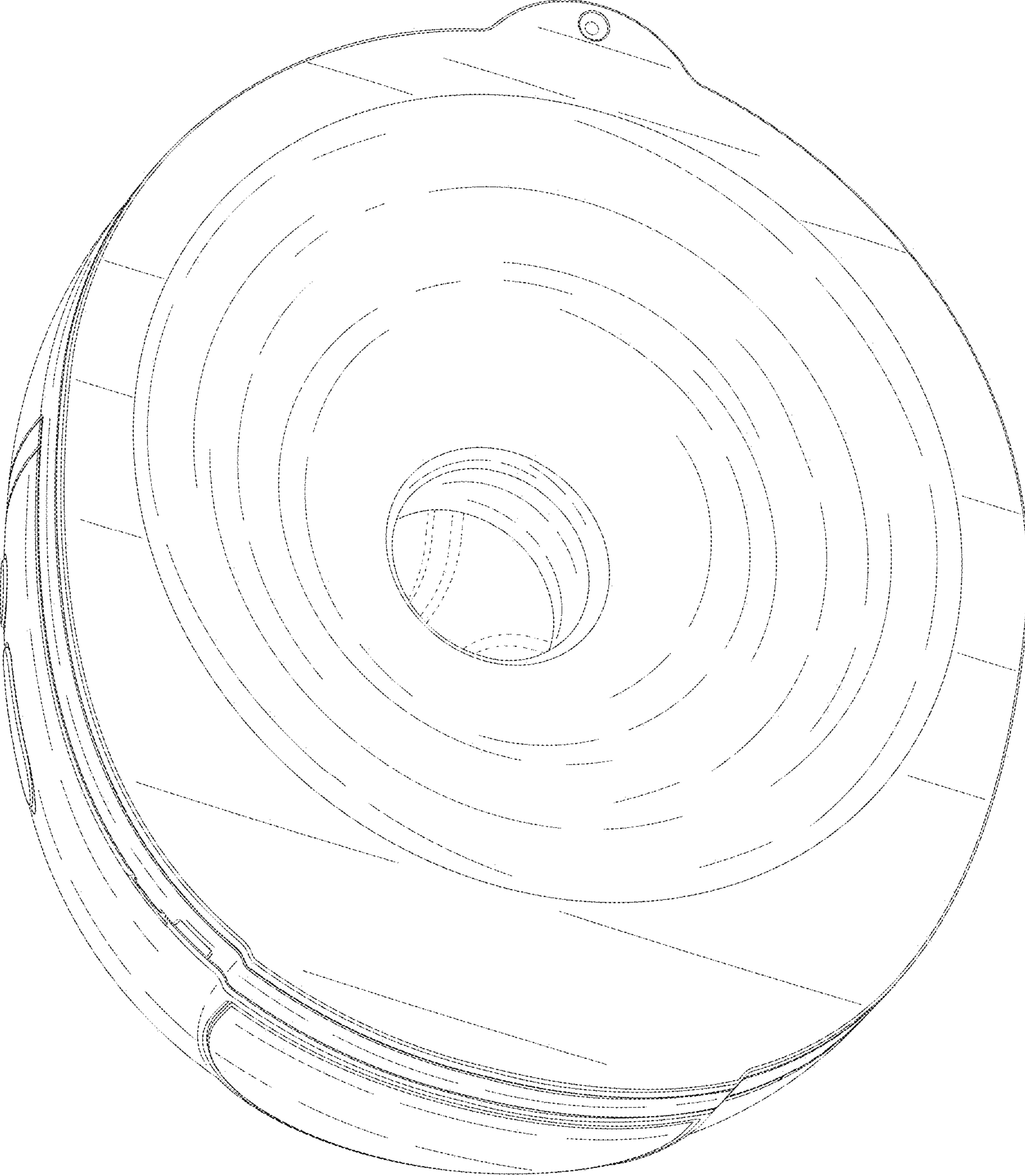


FIG. 2

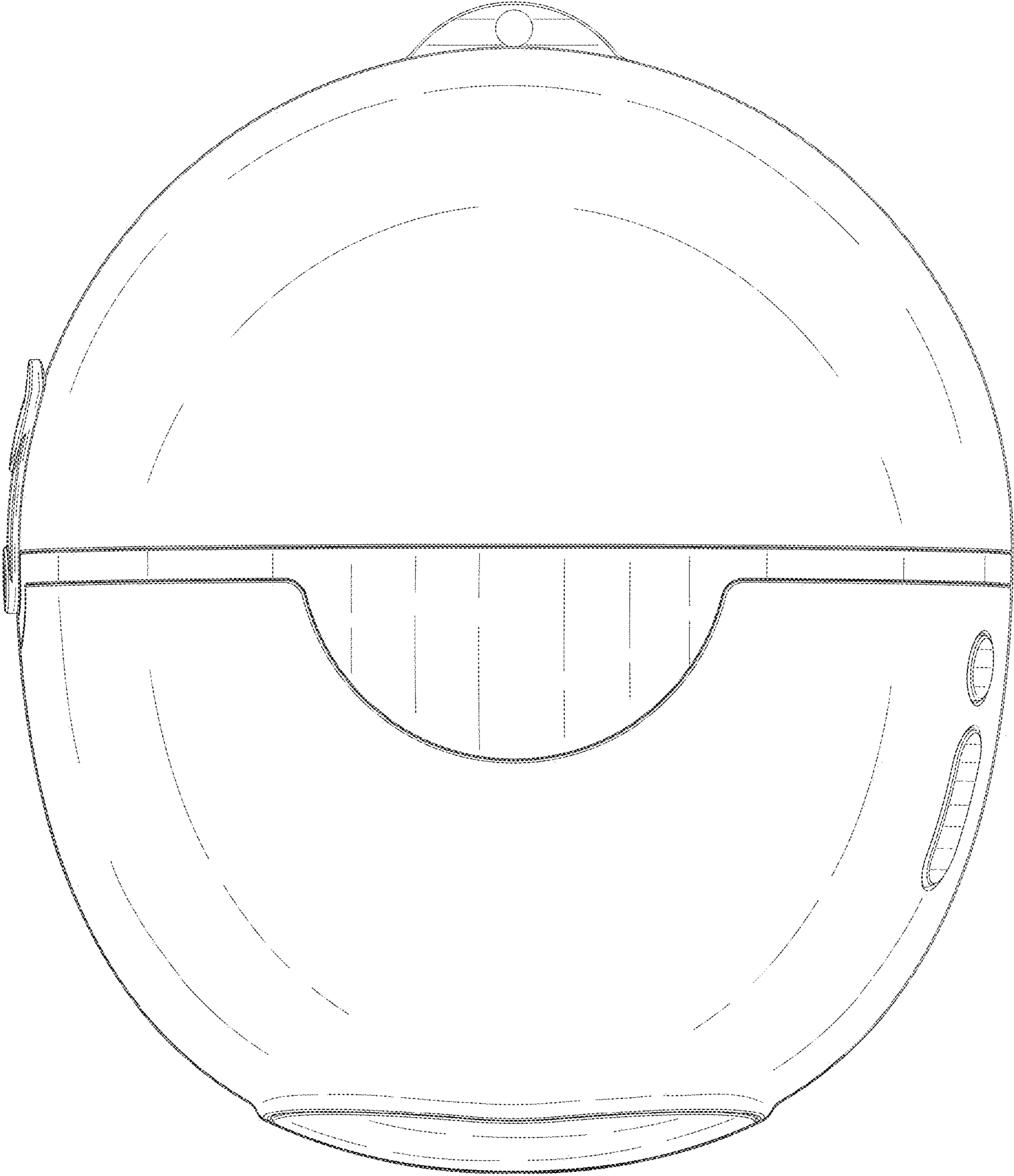


FIG. 3

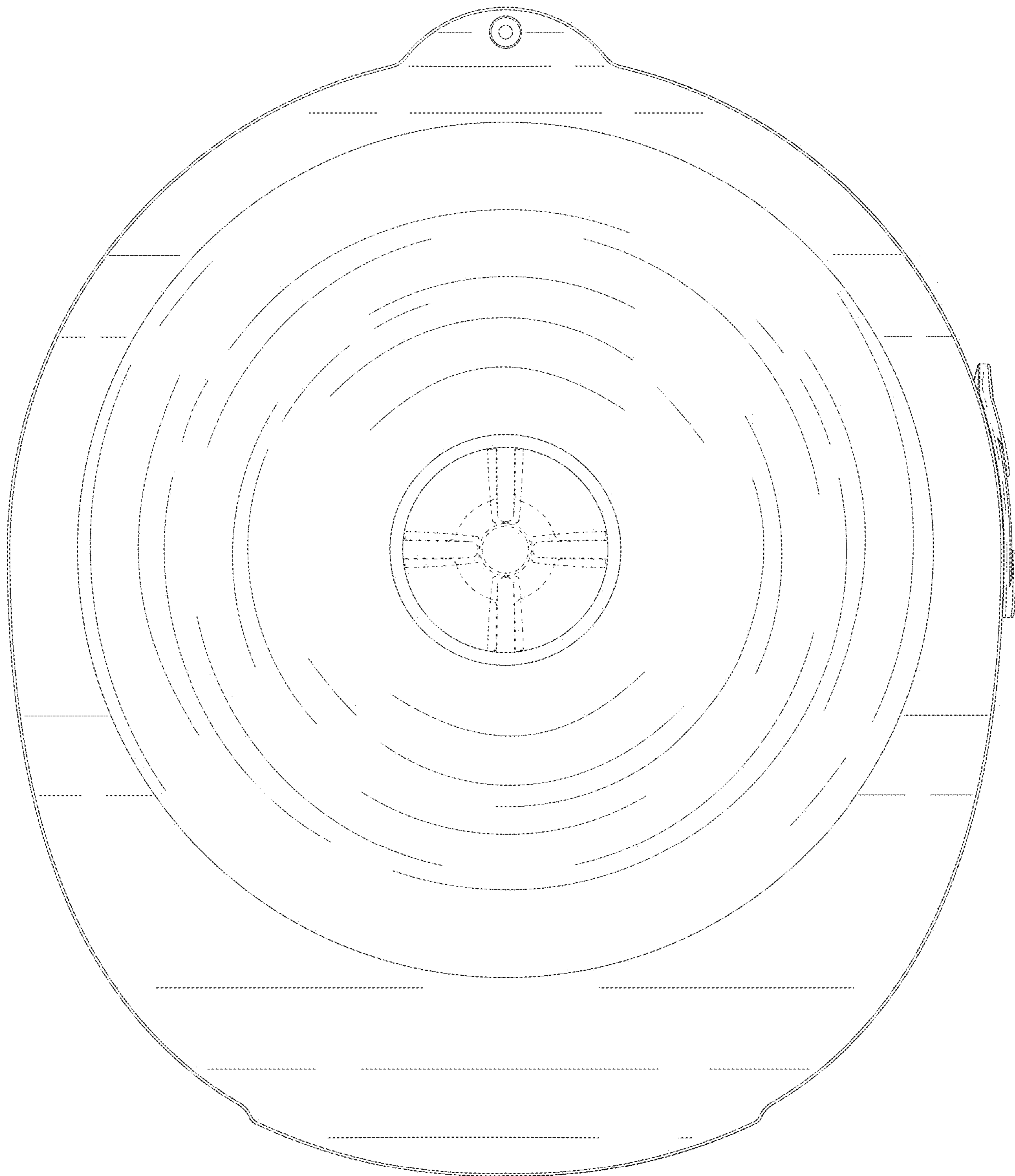


FIG. 4

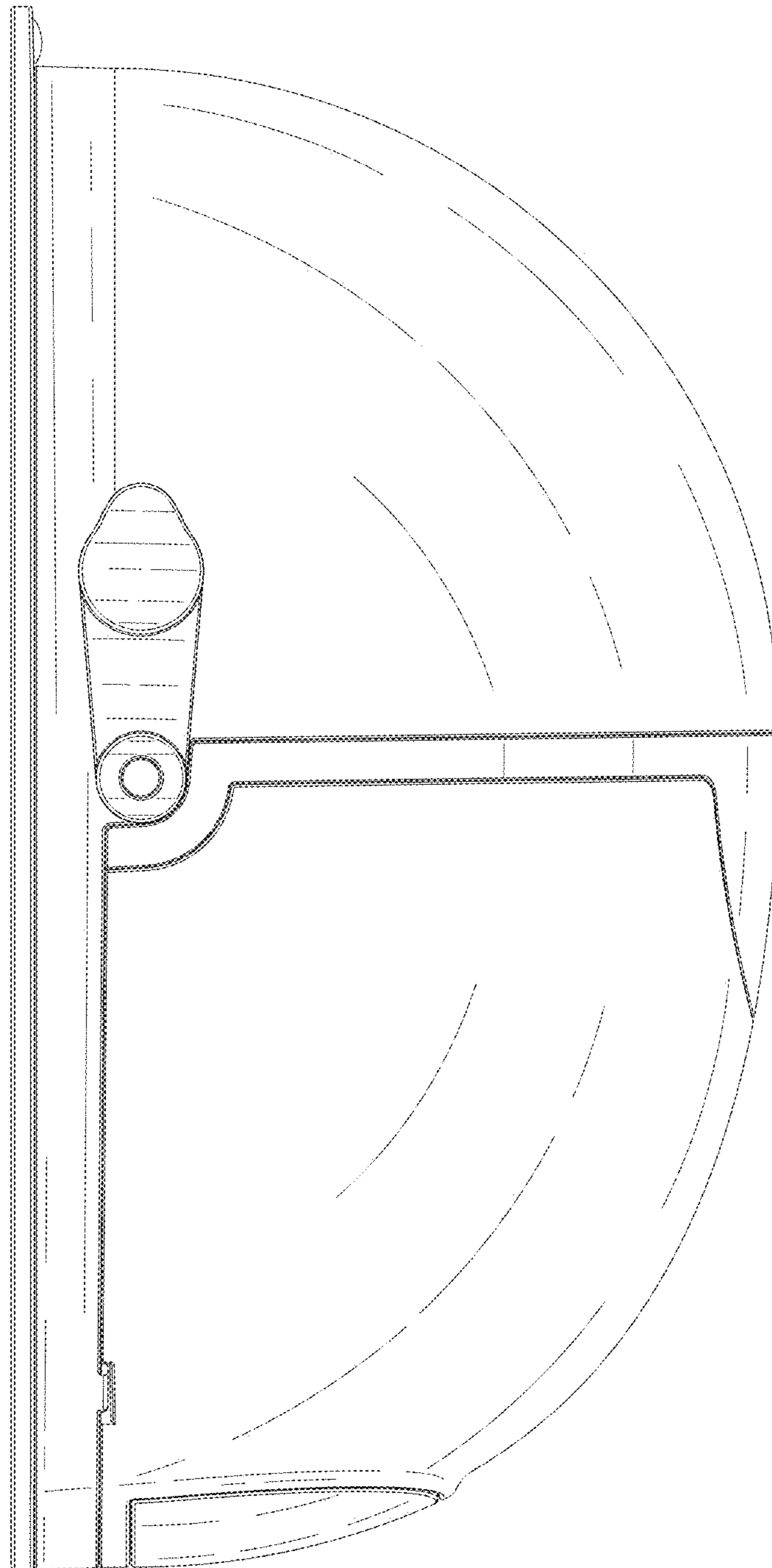


FIG. 5

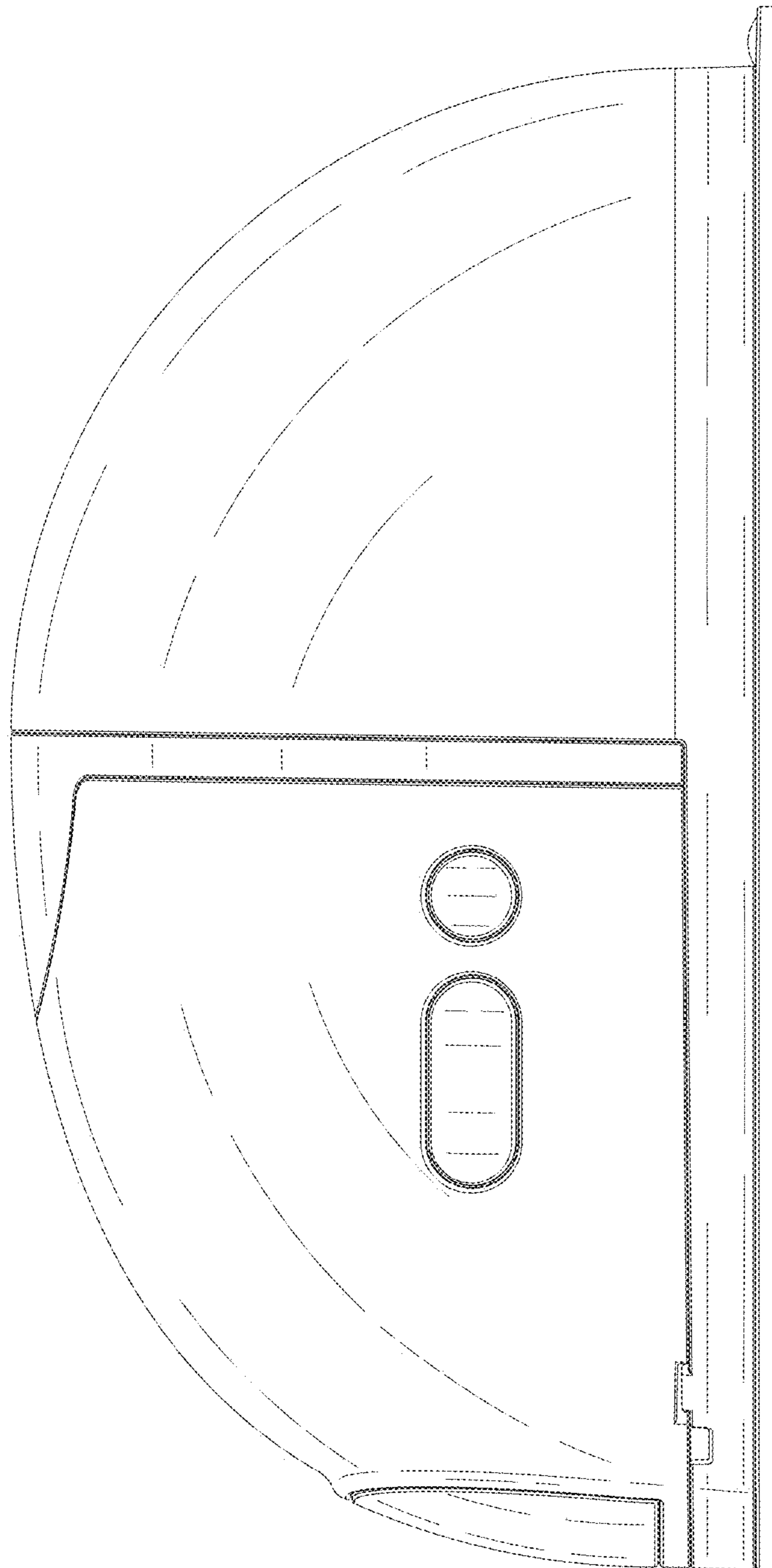


FIG. 6

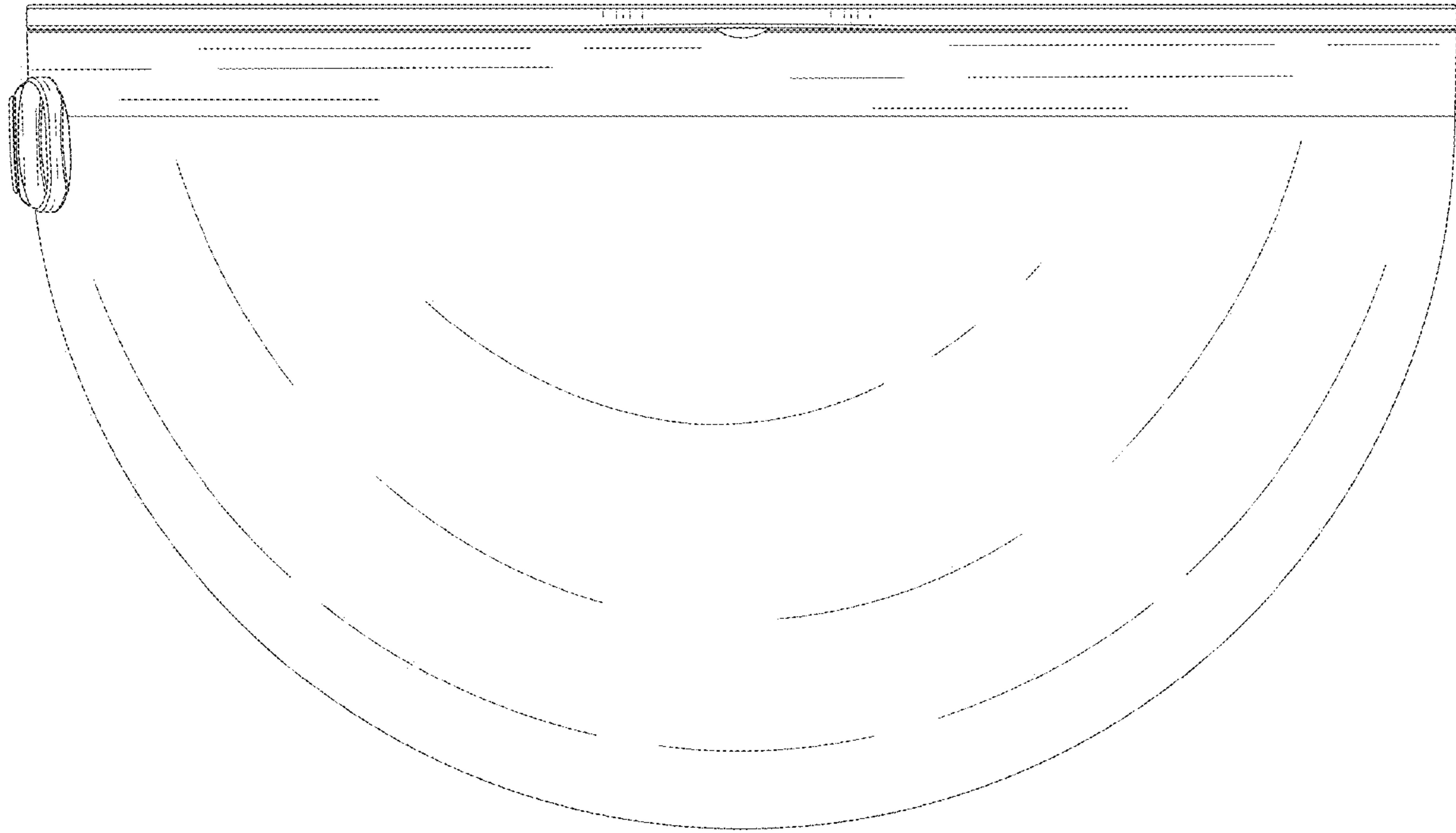


FIG. 7

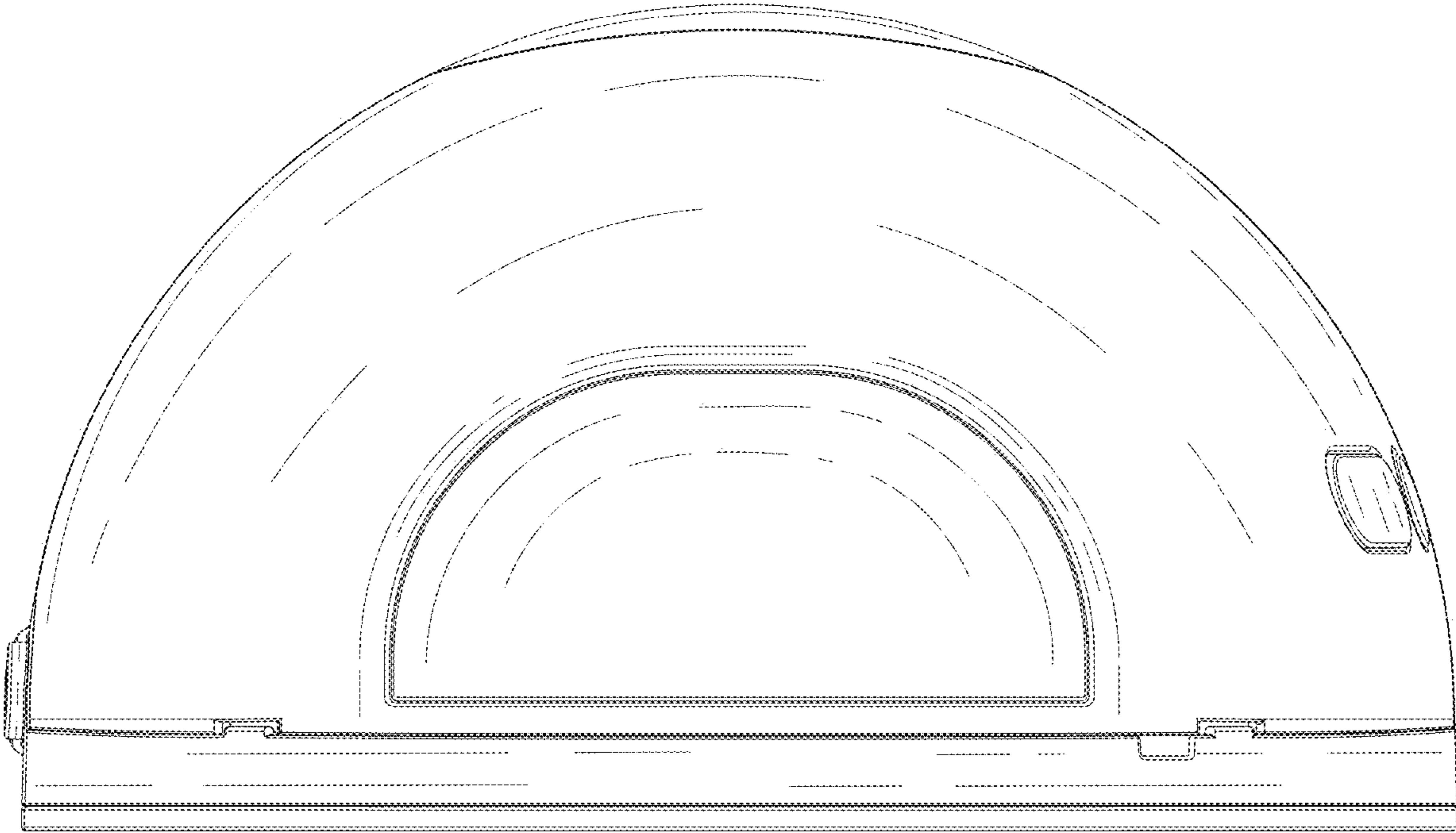


FIG. 8