



US00D975835S

(12) **United States Design Patent** (10) **Patent No.:** **US D975,835 S**
Adams et al. (45) **Date of Patent:** **** Jan. 17, 2023**

- (54) **INFUSION SET**
- (71) Applicant: **Smiths Medical ASD, Inc.**, Plymouth, MN (US)
- (72) Inventors: **Grant A. Adams**, Coon Rapids, MN (US); **James Bryan Drost**, Woodbury, MN (US); **Christopher Allen Lacy**, Arden Hills, MN (US); **Jonathan Sanborn**, St. Louis Park, MN (US); **Daniel L. Adamson**, Blaine, MN (US); **Harshad Borgaonkar**, Shoreview, MN (US); **Sameer Pai**, Plymouth, MN (US); **Sean Riley**, Minneapolis, MN (US)
- (73) Assignee: **Smiths Medical ASD, Inc.**, Plymouth, MN (US)
- (**) Term: **15 Years**
- (21) Appl. No.: **29/699,620**
- (22) Filed: **Jul. 26, 2019**

Related U.S. Application Data

- (62) Division of application No. 29/611,887, filed on Jul. 26, 2017, now Pat. No. Des. 870,263.
- (51) **LOC (14) Cl.** **24-01**
- (52) **U.S. Cl.**
USPC **D24/108; D24/129**
- (58) **Field of Classification Search**
USPC D24/108, 111, 127-129, 169
CPC A61M 2005/1587; A61M 39/10; A61M 39/28
See application file for complete search history.

(56) **References Cited**

U.S. PATENT DOCUMENTS

- 3,778,195 A 12/1973 Bamberg
- 4,236,880 A 12/1980 Archibald

- 4,537,561 A * 8/1985 Xanthopoulos ... A61M 5/14232 D24/111
- 4,756,706 A 7/1988 Kerns et al.
- 5,364,364 A 11/1994 Kasvikis et al.
(Continued)

FOREIGN PATENT DOCUMENTS

- CN 101990446 A 3/2011
- CN 102065931 A 5/2011
(Continued)

OTHER PUBLICATIONS

International Preliminary Report on Patentability from PCT Application PCT/US2017/037929, dated Dec. 27, 2018, 7 pgs.
(Continued)

Primary Examiner — Richard Kearney
Assistant Examiner — Michael Hoffman
(74) *Attorney, Agent, or Firm* — Patterson Thuent Pedersen, P.A.

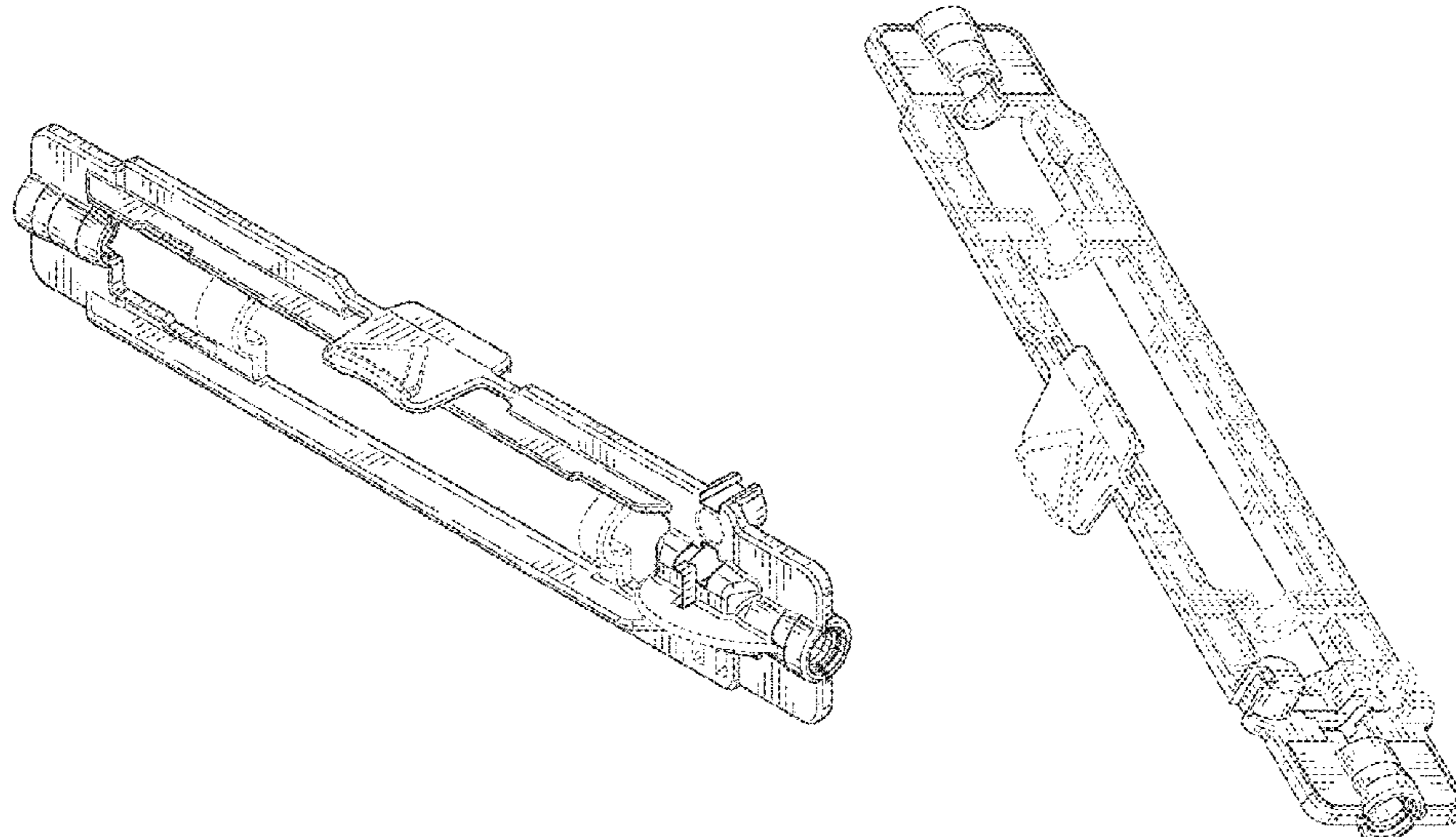
(57) **CLAIM**

We claim the ornamental design for an infusion set, as shown and described.

DESCRIPTION

FIG. 1 is a front perspective view of an infusion set.
FIG. 2 is a front elevation view thereof.
FIG. 3 is a rear elevation view thereof.
FIG. 4 is a right-side elevation view thereof.
FIG. 5 is a left side elevation view thereof.
FIG. 6 is a top plan view thereof.
FIG. 7 is a bottom plan view thereof; and,
FIG. 8 is a rear perspective view thereof.
Items shown in dash-dash broken lines depict portions of the infusion set that form no part of the claimed invention. The dash-dot broken lines represent the bounds of the claimed design and form no part thereof.

1 Claim, 6 Drawing Sheets



(56)

References Cited

U.S. PATENT DOCUMENTS

5,425,173 A * 6/1995 Moss A61M 5/142
29/888.021

5,478,211 A 12/1995 Dominiak et al.

D367,527 S 2/1996 Marston et al.

D371,194 S * 6/1996 Marston D24/111

5,551,850 A 9/1996 Williamson et al.

5,601,420 A 2/1997 Warner et al.

5,620,312 A 4/1997 Hyman et al.

5,647,854 A 7/1997 Olsen et al.

D390,654 S 2/1998 Alsberg et al.

5,807,322 A 9/1998 Lindsey et al.

5,814,009 A 9/1998 Wheatman

5,823,746 A 10/1998 Johnson

5,840,058 A 11/1998 Ammann et al.

5,904,668 A 5/1999 Hyman et al.

5,954,485 A 9/1999 Johnson et al.

6,164,921 A 12/2000 Moubayed et al.

6,187,400 B1 2/2001 Woo et al.

6,195,887 B1 3/2001 Danby et al.

6,203,528 B1 3/2001 Deckert et al.

6,213,723 B1 4/2001 Danby et al.

6,213,739 B1 4/2001 Phallen et al.

6,231,320 B1 5/2001 Lawless et al.

6,312,227 B1 11/2001 Davis

D455,489 S * 4/2002 Beck D24/111

6,659,976 B2 12/2003 Beck et al.

6,722,865 B2 4/2004 Domroese

6,742,992 B2 6/2004 Davis

D501,924 S * 2/2005 Cise D24/111

6,852,094 B2 2/2005 Beck et al.

D504,507 S * 4/2005 Ziegler D24/111

D507,647 S * 7/2005 Beck D24/129

7,018,361 B2 3/2006 Gillespie, Jr. et al.

D523,533 S 6/2006 Schaffeld et al.

D523,553 S * 6/2006 Beck D24/111

7,121,815 B2 10/2006 Knuth et al.

7,160,087 B2 1/2007 Fathallah et al.

D536,783 S * 2/2007 Cise D24/111

7,214,038 B2 5/2007 Saxer et al.

7,273,359 B2 9/2007 Blight et al.

D586,468 S 2/2009 Evans et al.

7,632,079 B2 12/2009 Hershberger et al.

D626,647 S * 11/2010 Amborn D24/111

7,934,912 B2 5/2011 Voltenburg, Jr. et al.

7,967,773 B2 * 6/2011 Amborn A61M 5/14244
417/477.2

D642,677 S * 8/2011 Boaz D24/111

8,062,008 B2 11/2011 Voltenburg, Jr. et al.

8,083,503 B2 12/2011 Voltenburg, Jr. et al.

8,109,906 B2 2/2012 Smisson, III et al.

D655,810 S * 3/2012 Amborn D24/111

8,142,400 B2 3/2012 Rotem et al.

8,337,168 B2 12/2012 Rotem et al.

8,371,832 B2 2/2013 Rotem et al.

8,388,582 B2 3/2013 Eubanks et al.

8,430,849 B2 4/2013 Smith et al.

8,459,968 B2 6/2013 Juretich et al.

8,496,613 B2 7/2013 Zhou

8,545,458 B2 10/2013 Gagliardini et al.

8,551,056 B2 10/2013 Gagliardini et al.

8,551,057 B2 10/2013 Gagliardini et al.

8,777,590 B2 7/2014 Moy et al.

8,859,972 B2 10/2014 Cummings et al.

8,920,144 B2 12/2014 Rotem et al.

8,974,415 B2 3/2015 Robert et al.

8,986,252 B2 3/2015 Cummings et al.

9,011,379 B2 4/2015 Hariharesan et al.

D730,514 S 5/2015 Boaz et al.

9,072,540 B2 7/2015 Jarnagin et al.

D765,832 S 9/2016 Hochman et al.

9,616,170 B2 4/2017 Nakanishi et al.

9,662,437 B2 5/2017 Moosai

D801,519 S 10/2017 Sabin et al.

9,789,251 B2 10/2017 Robert et al.

D803,386 S 11/2017 Sabin et al.

D803,387 S 11/2017 Bodwell et al.

9,808,316 B2 11/2017 Hasegawa

D830,546 S * 10/2018 Lacy D24/111

D870,263 S 12/2019 Adams et al.

D871,572 S 12/2019 Lacy et al.

2003/0214412 A1 11/2003 Ho et al.

2006/0004624 A1 1/2006 Melara et al.

2006/0129110 A1 6/2006 Smith et al.

2006/0184121 A1 8/2006 Brockman et al.

2009/0043252 A1 2/2009 Haylor et al.

2011/0106004 A1 5/2011 Eubanks et al.

2011/0300010 A1 12/2011 Jarnagin et al.

2011/0313358 A1 * 12/2011 Hariharesan F04B 43/12
604/246

2012/0004624 A1 1/2012 Brown et al.

2012/0101437 A1 * 4/2012 Gagliardini A61M 39/281
604/151

2012/0130309 A1 5/2012 Hariharesan et al.

2012/0266964 A1 10/2012 West et al.

2012/0266965 A1 * 10/2012 Hariharesan A61M 5/14232
137/1

2013/0115120 A1 5/2013 Jarnagin et al.

2013/0131585 A1 5/2013 Eubanks et al.

2013/0267899 A1 10/2013 Robert et al.

2013/0281965 A1 10/2013 Kamen et al.

2014/0100526 A1 4/2014 Ueda et al.

2014/0271246 A1 9/2014 Zollinger et al.

2014/0271247 A1 9/2014 Abal

2014/0276424 A1 9/2014 Davis et al.

2014/0317929 A1 * 10/2014 Robert A61M 5/14244
29/890.124

2014/0358111 A1 12/2014 Brewer et al.

2014/0378901 A1 12/2014 Rotem et al.

2015/0273140 A1 * 10/2015 Bresina F04B 39/14
604/67

2015/0314066 A1 11/2015 Shimzu

2016/0121096 A1 5/2016 Rotem et al.

2017/0028126 A1 * 2/2017 Moosai A61M 5/14228

2018/0117241 A1 * 5/2018 Amborn A61M 5/365

2020/0179592 A1 6/2020 Adams et al.

FOREIGN PATENT DOCUMENTS

CN 102292117 A 12/2011

CN 102481447 A 5/2012

CN 104334209 A 2/2015

DE 10348653 A1 5/2005

EP 2924289 A1 9/2015

EP 2883559 B1 6/2017

EP 2700424 B1 1/2018

JP 2004141418 5/2004

JP 4507233 B2 7/2010

JP 4949700 B2 6/2012

JP 2012516208 7/2012

JP 5236943 B2 7/2013

JP 5805415 B2 11/2015

JP 5897815 B2 3/2016

WO WO-2004037322 A1 5/2004

WO WO 2005/037349 A2 4/2005

WO WO 2010/023915 3/2010

WO WO-2010088143 A1 8/2010

WO WO-2010088144 A1 8/2010

WO WO 2010/149187 A1 12/2010

WO WO-2011008619 A1 1/2011

WO WO-2011008621 A1 1/2011

WO WO-2011008624 A2 1/2011

WO WO-2011025588 A1 3/2011

WO WO-2011025589 A1 3/2011

WO WO-2012009697 A1 1/2012

WO WO-2014159466 A1 10/2014

WO WO-2016018552 A1 2/2016

WO WO 2017/218927 12/2017

WO WO 2017/218927 A1 12/2017

WO WO2017218927 A1 12/2017

WO WO 2019/125941 A1 6/2019

(56)

References Cited

OTHER PUBLICATIONS

Application and file history for U.S. Appl. No. 29/611,887, filed Jul. 26, 2017, issued as U.S. Pat. No. D. 870,263 on Dec. 17, 2019 inventors Adams et al.

Application and file history for U.S. Appl. No. 16/309,909, filed Dec. 13, 2018, inventors Adams et al.

Application and file history for U.S. Appl. No. 29/586,038, filed Nov. 30, 2016, issued as U.S. Pat. No. D. 830,546 on Oct. 9, 2018, inventors Lacy et al.

Application and file history for U.S. Appl. No. 29/661,949, filed Aug. 31, 2018, issued as U.S. Pat. No. D. 871,572 on Dec. 31, 2019, inventors Lacy et al.

Application and file history for U.S. Appl. No. 15/733,222, filed Jun. 11, 2020, inventors Adams et al.

Application and file history for U.S. Appl. No. 29/611,887, filed Jul. 26, 2017, inventors Adams et al., issued as U.S. Pat. No. D. 870,263, issued Dec. 17, 2019.

* cited by examiner

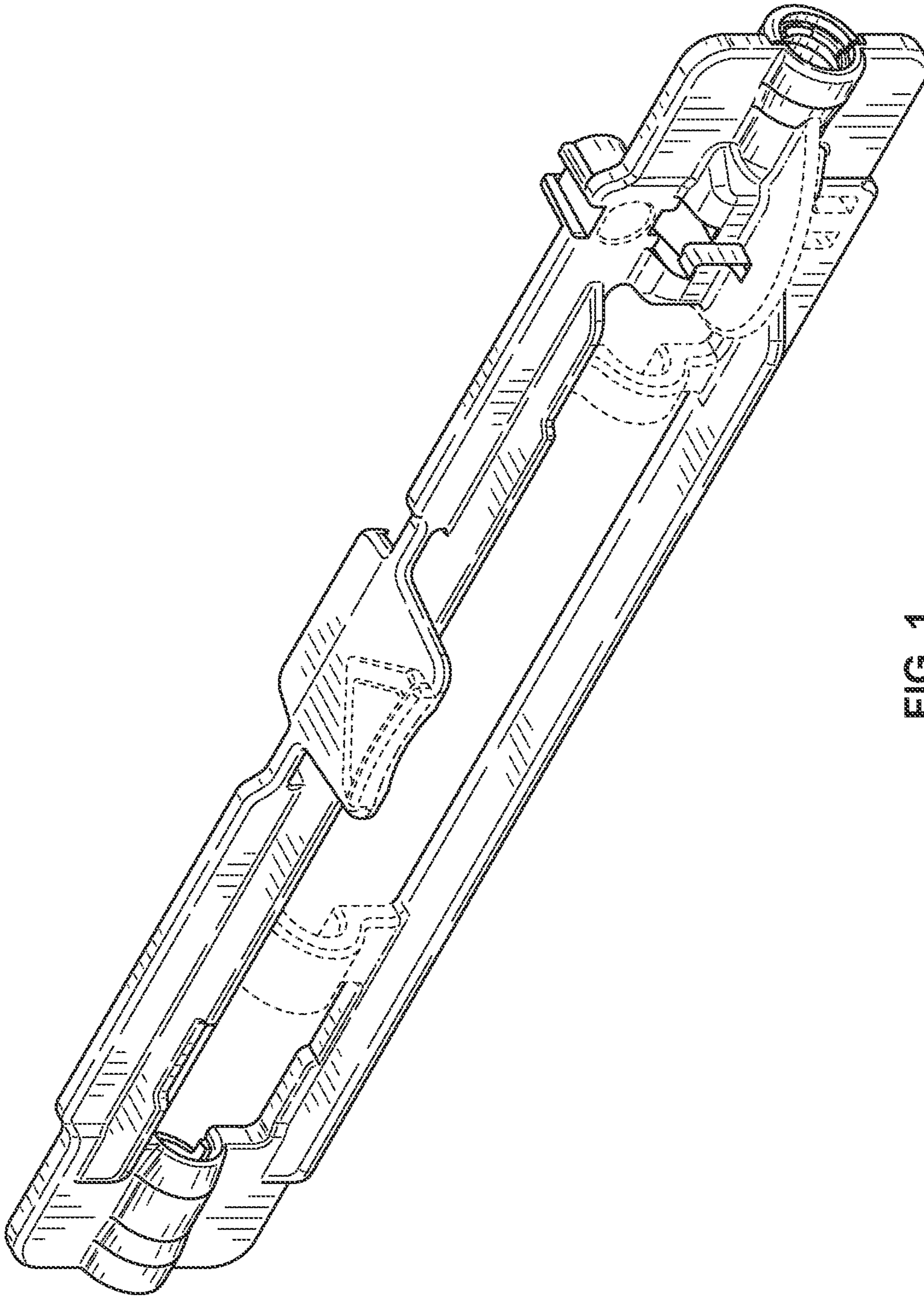


FIG. 1

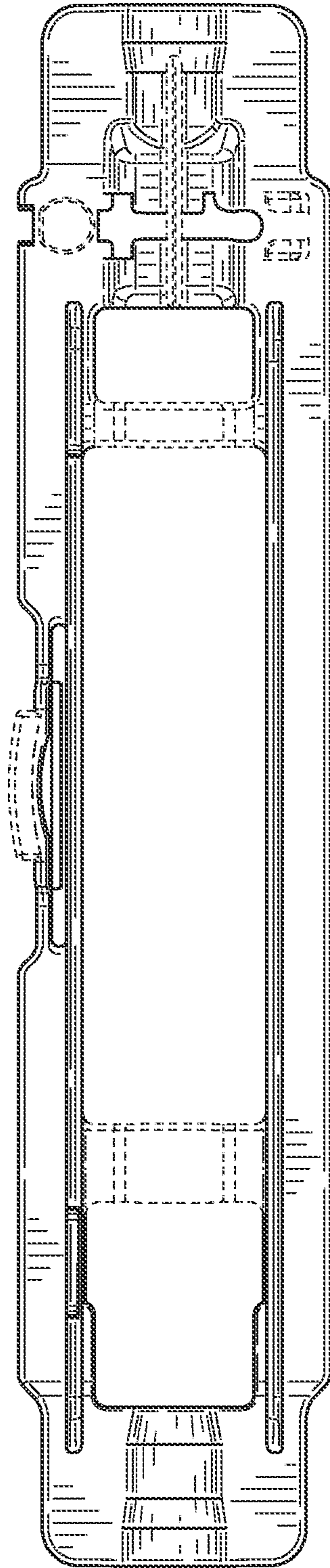


FIG. 2

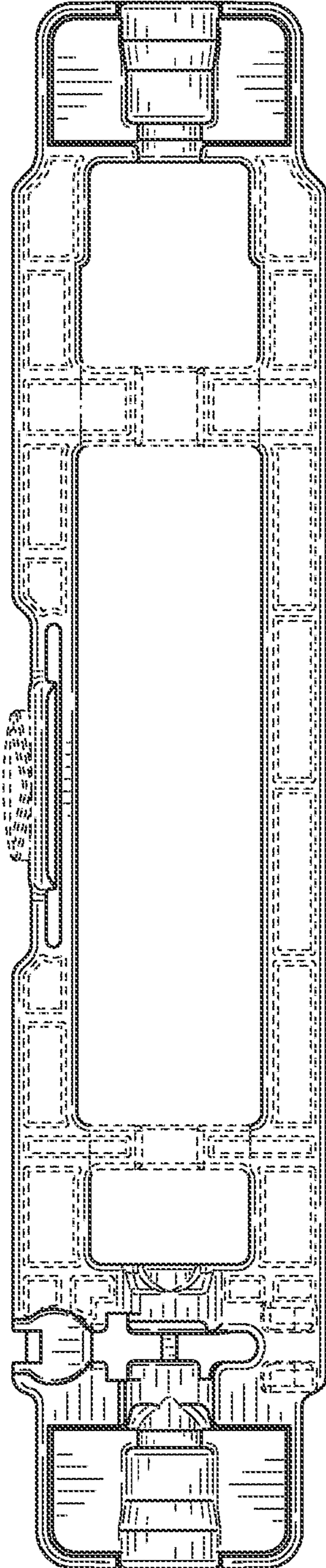


FIG. 3

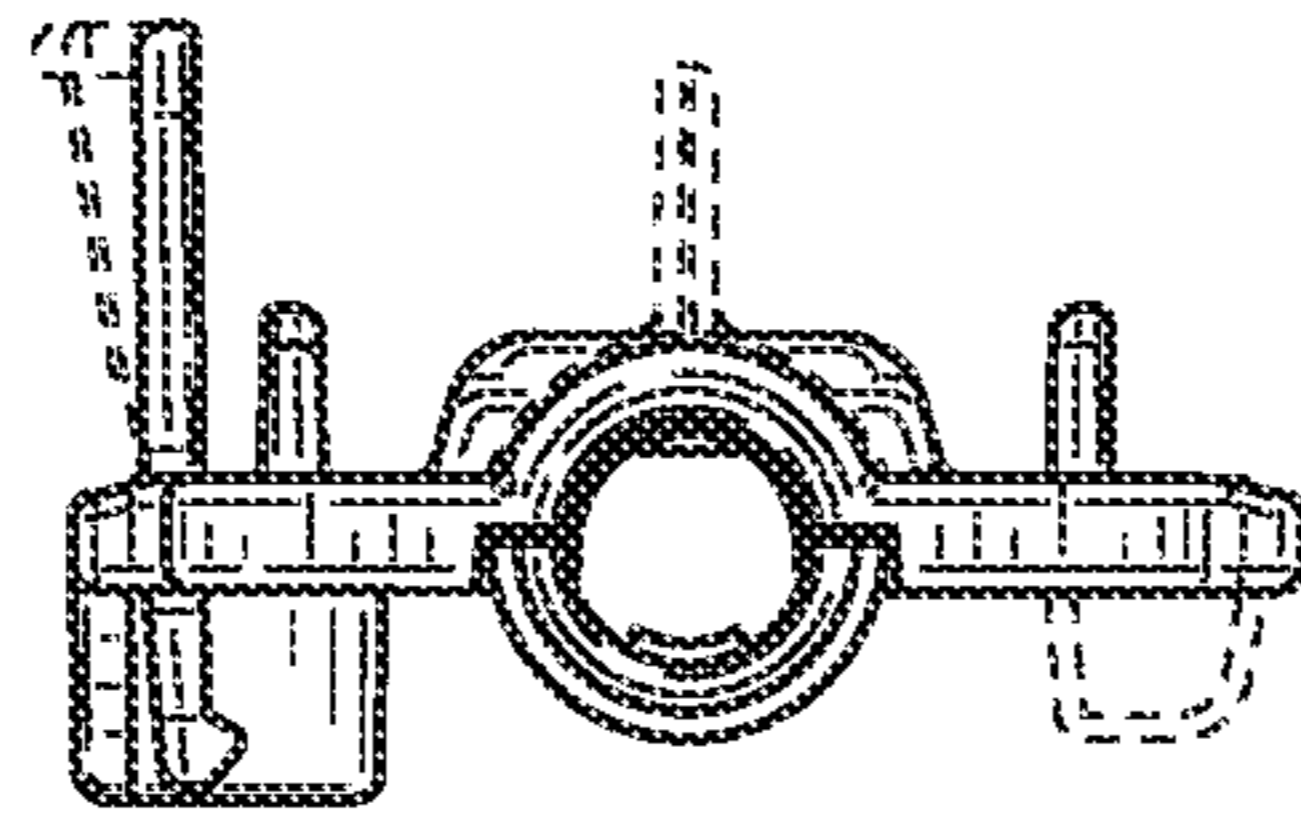


FIG. 5

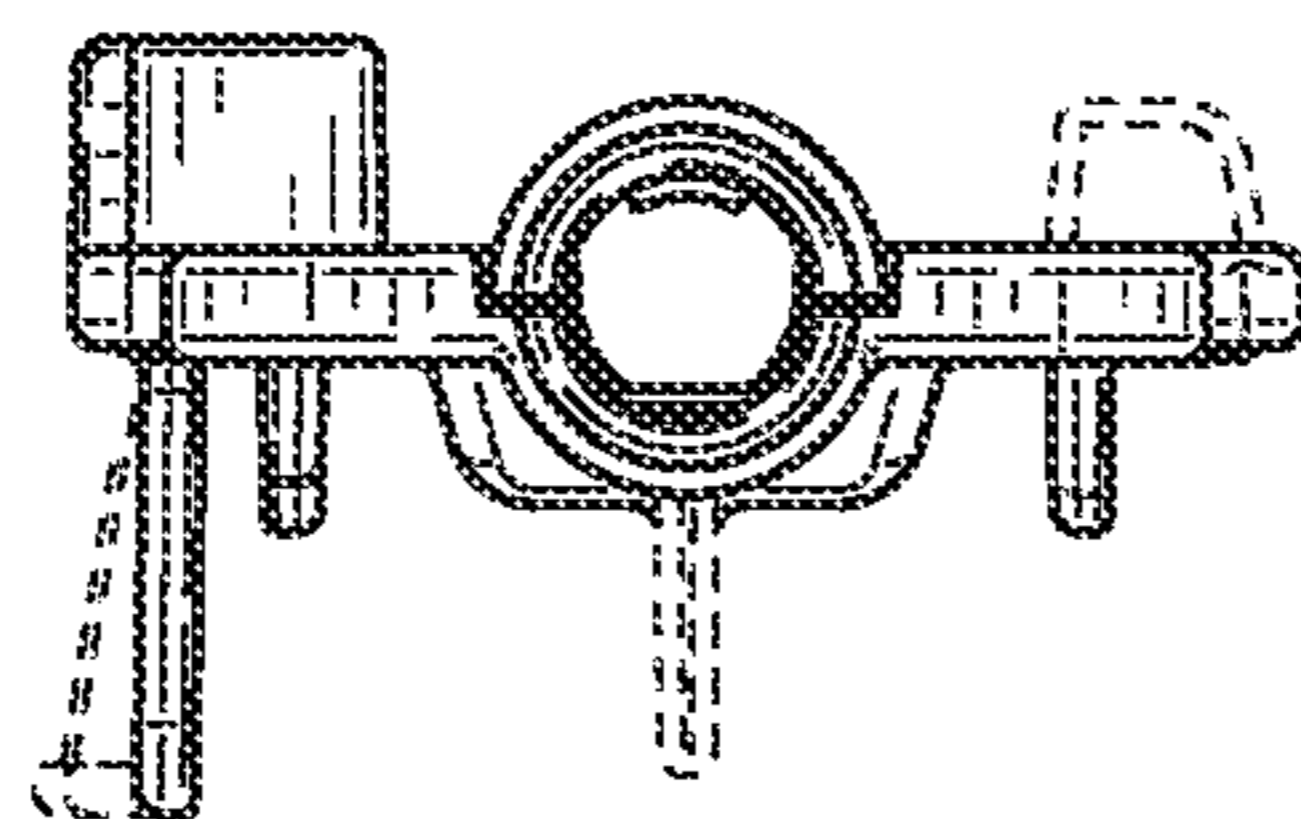


FIG. 4

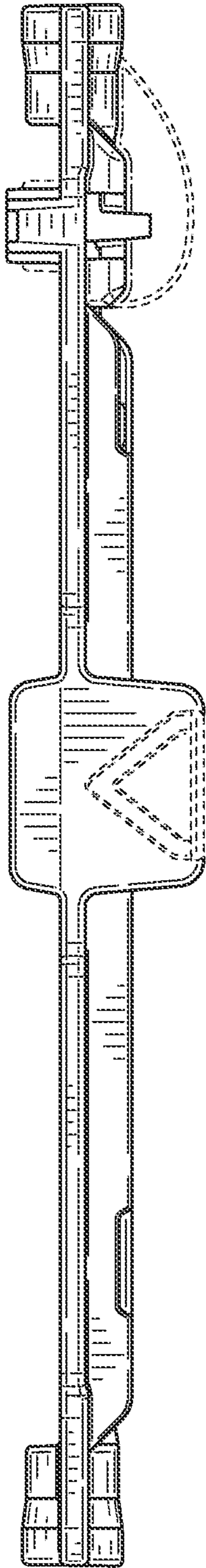


FIG. 6

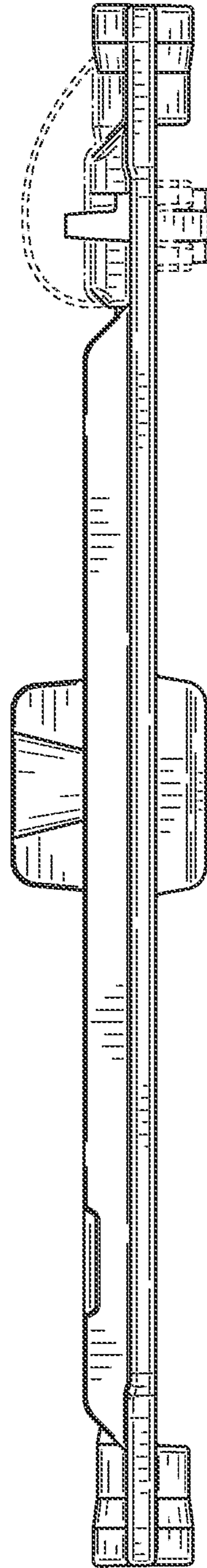


FIG. 7

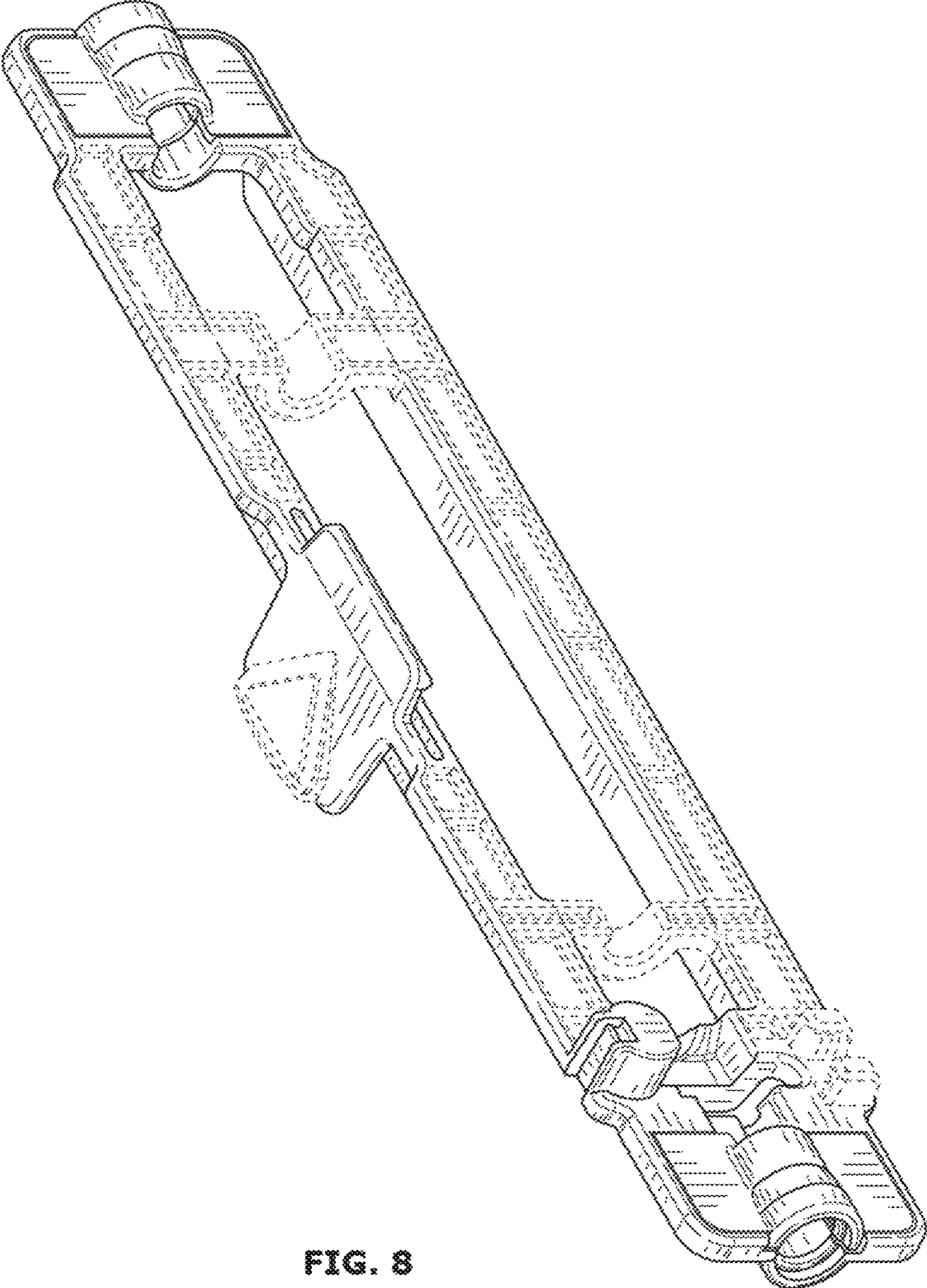


FIG. 8