

US00D975832S

(12) **United States Design Patent** (10) **Patent No.:** **US D975,832 S**
McConnaughey et al. (45) **Date of Patent:** **** Jan. 17, 2023**

(54) **FILTRATION DEVICE**

(71) Applicant: **ClairityC3, Inc.**, Temecula, CA (US)
(72) Inventors: **Joseph Marc McConnaughey**,
Temecula, CA (US); **Richard Jung**,
Irvine, CA (US); **Joie Puckett**, Irvine,
CA (US)
(73) Assignee: **ClarityC3, Inc.**, Temecula, CA (US)

(**) Term: **15 Years**

(21) Appl. No.: **29/755,958**

(22) Filed: **Oct. 23, 2020**

(51) **LOC (14) Cl.** **23-04**

(52) **U.S. Cl.**
USPC **D23/364**

(58) **Field of Classification Search**
USPC D23/332, 336, 351, 355–356, 359,
D23/364–366, 378, 499
CPC F24F 1/029; F24F 1/035; F24F 1/0287;
F24F 6/06; F24F 6/14; F24F 13/06; F24F
13/20; F24F 13/222; F24F 3/16; F24F
3/1405

See application file for complete search history.

(56) **References Cited**

U.S. PATENT DOCUMENTS

D382,950	S	*	8/1997	Kruger	D23/335
D426,658	S	*	6/2000	Yuen	D26/26
D448,103	S	*	9/2001	Yuen	D26/42
D529,212	S	*	9/2006	Yuen	D26/37
D762,830	S	*	8/2016	Lewis	D23/332
D841,140	S	*	2/2019	Chen	D23/336
D861,641	S	*	10/2019	Werle	D14/214
D879,927	S	*	3/2020	Sanagi	D23/351
D927,726	S	*	8/2021	Xu	D24/217
D942,643	S	*	2/2022	Zhao	D24/217
D942,644	S	*	2/2022	Zheng	D24/217
2022/0047767	A1	*	2/2022	McConnaughey	

B01D 46/0038

OTHER PUBLICATIONS

Klimaire PTAC A/C with Wall Sleeve, first available Mar. 16, 2017[online], [site visited Aug. 22, 2022]. Available from internet, URL:<https://www.amazon.com/KLIMAIRE-Sleeve-Aluminum-Control-Electric/dp/B08R7VL9Y8> (Year: 2017).*
Wall mountable Ultraviolet Air Sanitizer, posted Sep. 27, 2019 [online], [retrieved Aug. 25, 2022]. Retrieved from internet, https://www.youtube.com/watch?v=sYW1_IBkLOk (on or around time-stamp 0:02 into the video) (Year: 2019).*

* cited by examiner

Primary Examiner — David G Muller

Assistant Examiner — Jamaal Rasheed

(74) *Attorney, Agent, or Firm* — Reed Smith LLP; Nina Habib Borders

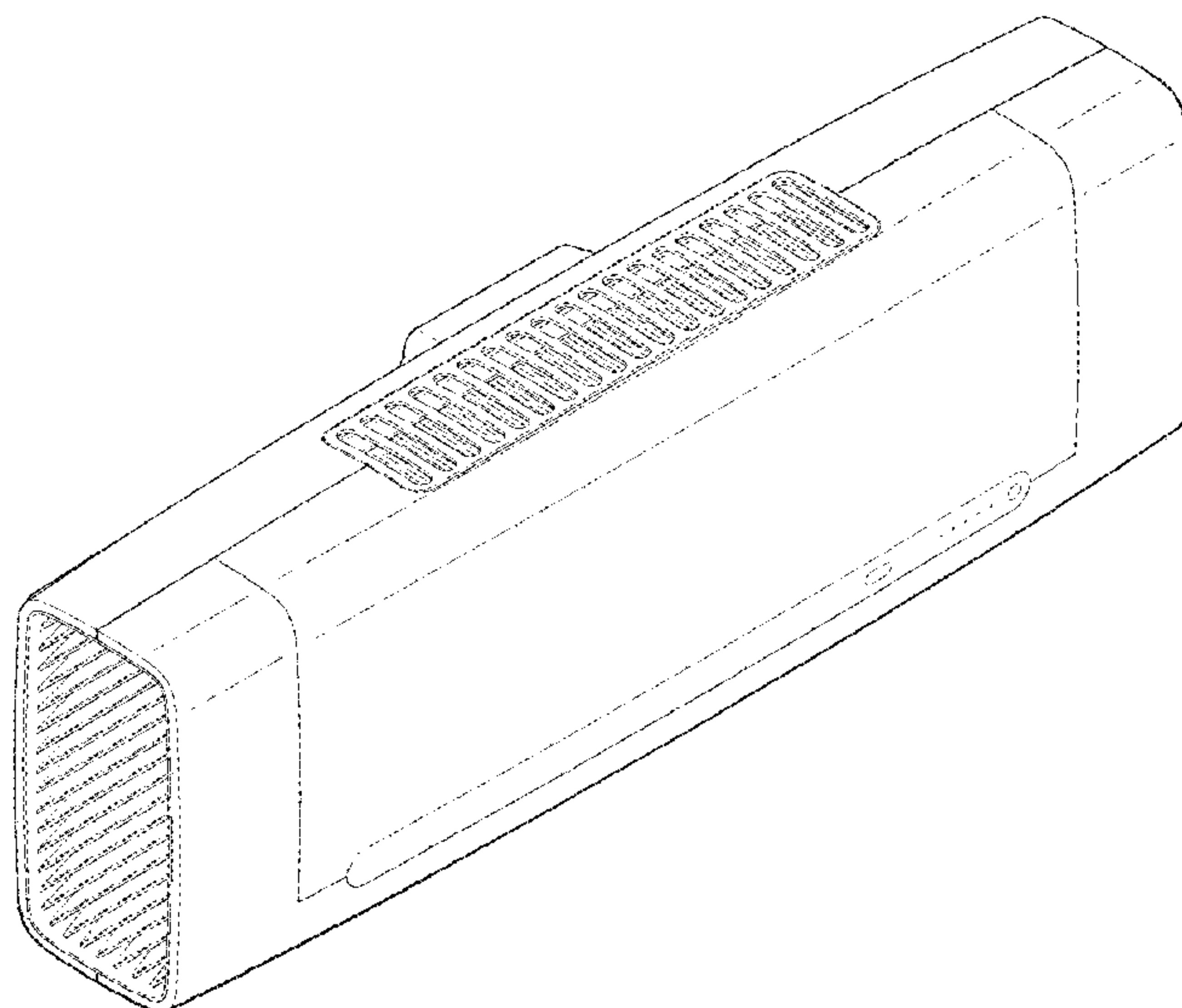
(57) **CLAIM**

The ornamental design for a filtration device, as shown and described.

DESCRIPTION

FIG. 1 is a first perspective view of a filtration device showing our new design;
FIG. 2 is a front view thereof;
FIG. 3 is a rear view thereof;
FIG. 4 is a top view thereof;
FIG. 5 is a bottom view thereof;
FIG. 6 is a left side view thereof;
FIG. 7 is a right side view thereof;
FIG. 8 is an exploded perspective view;
FIG. 9 is a perspective view of the filtration device with the front open; and,
FIG. 10 is side view of the filtration device with the front open.

1 Claim, 8 Drawing Sheets



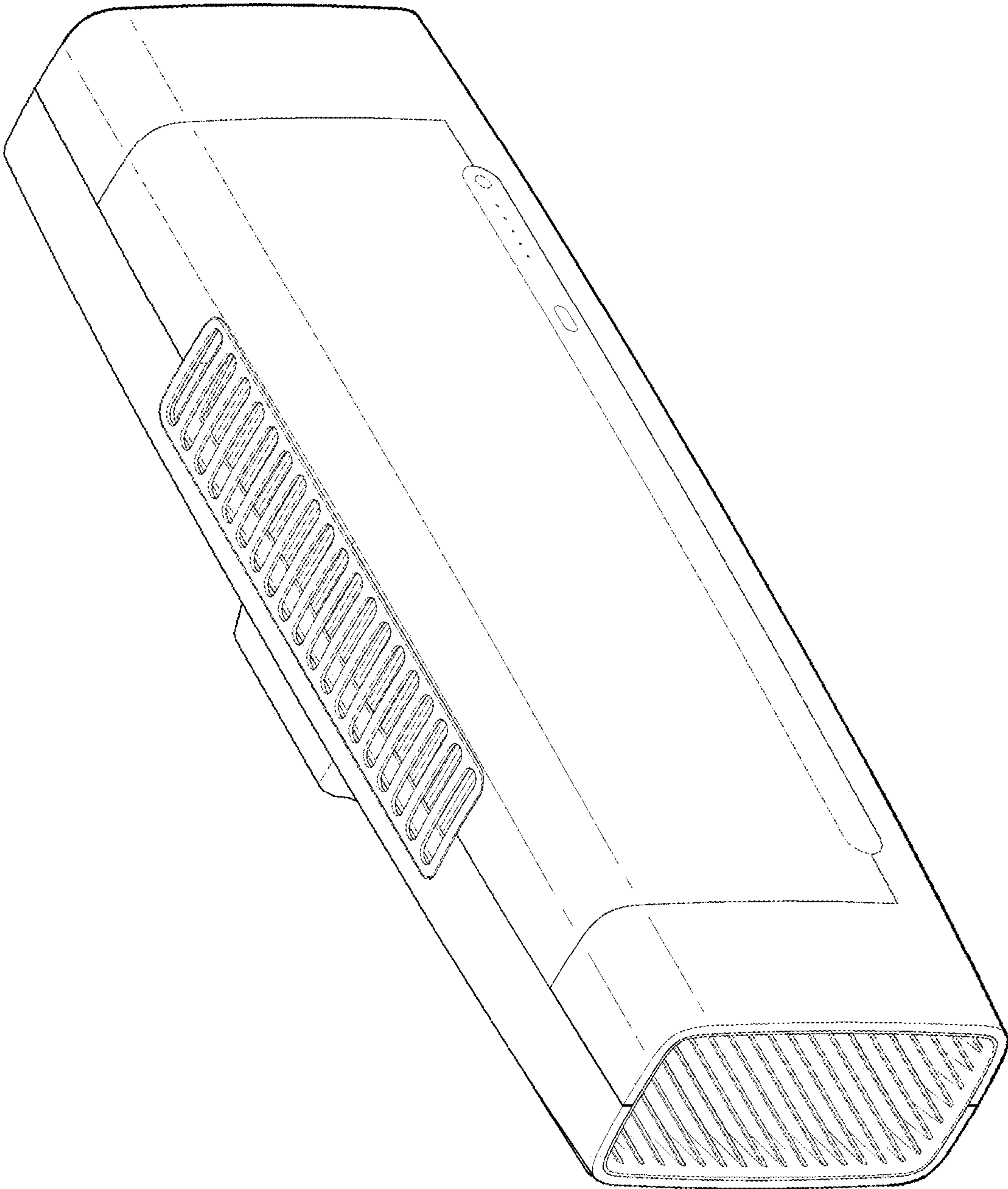


FIG. 1

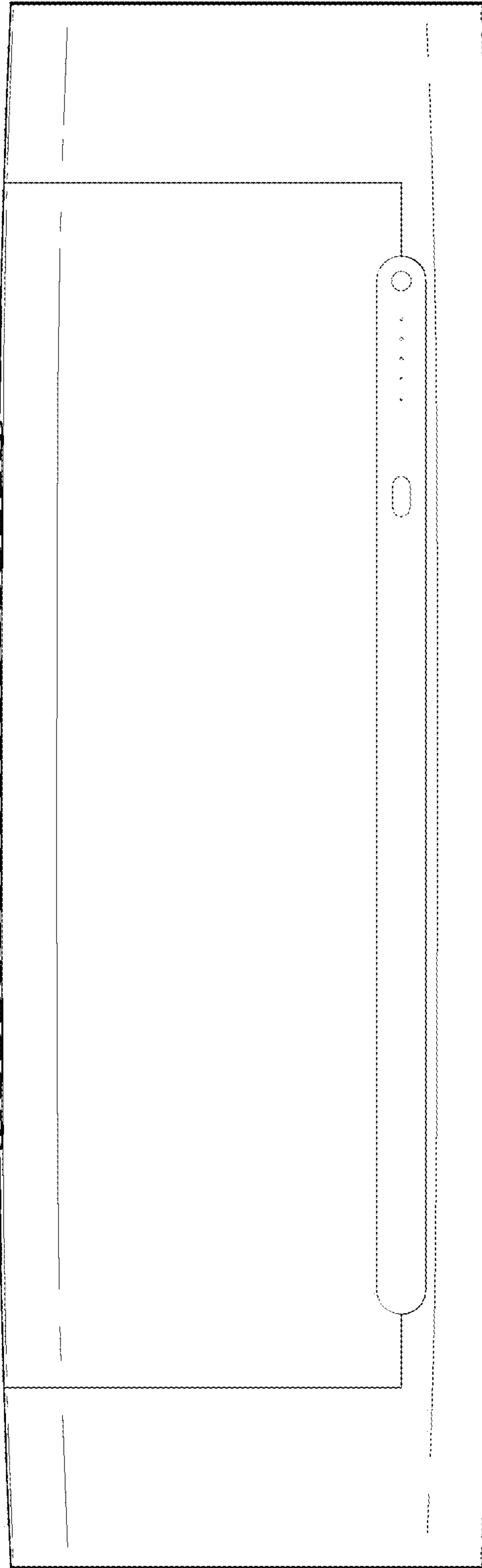


FIG. 2

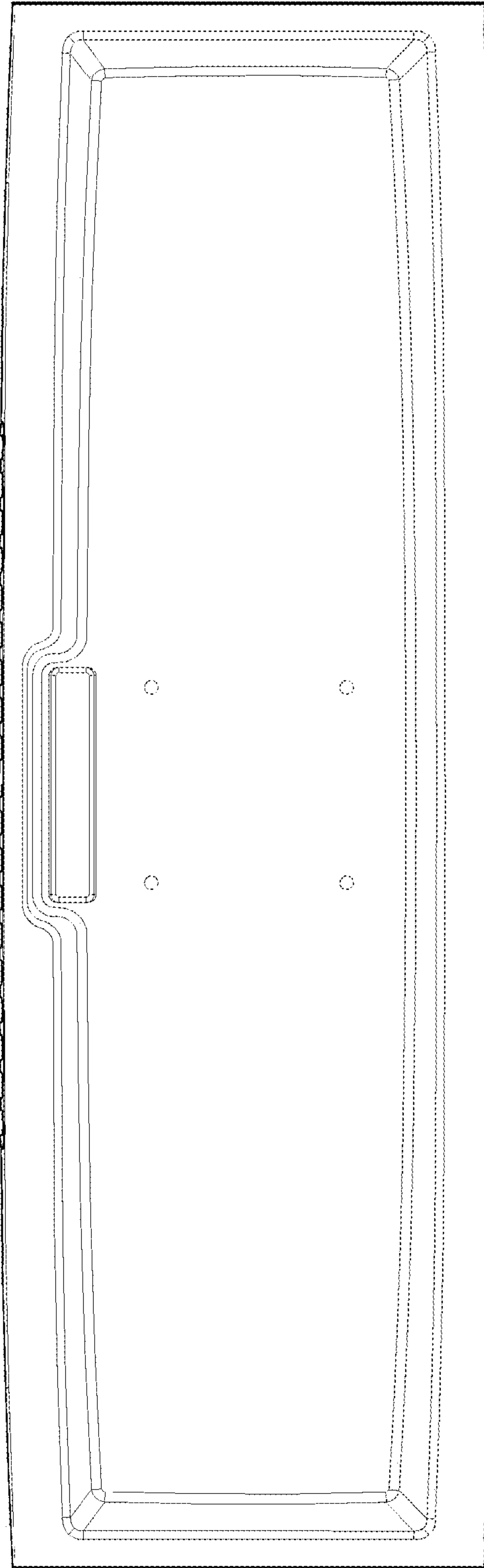


FIG. 3

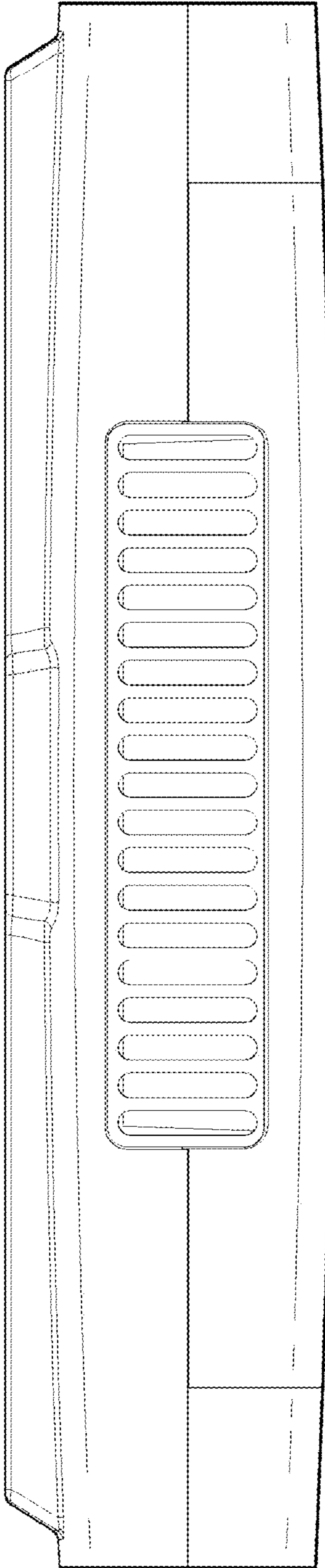


FIG. 4

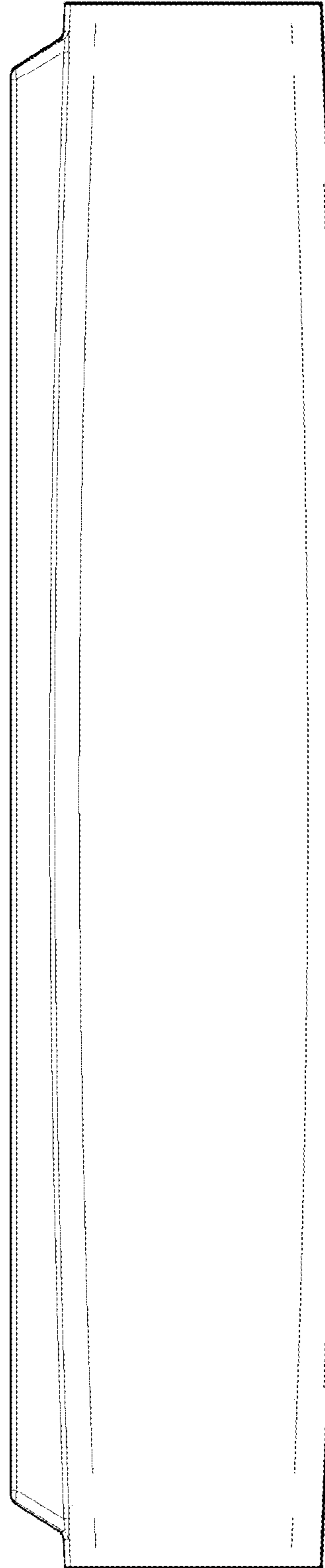


FIG. 5

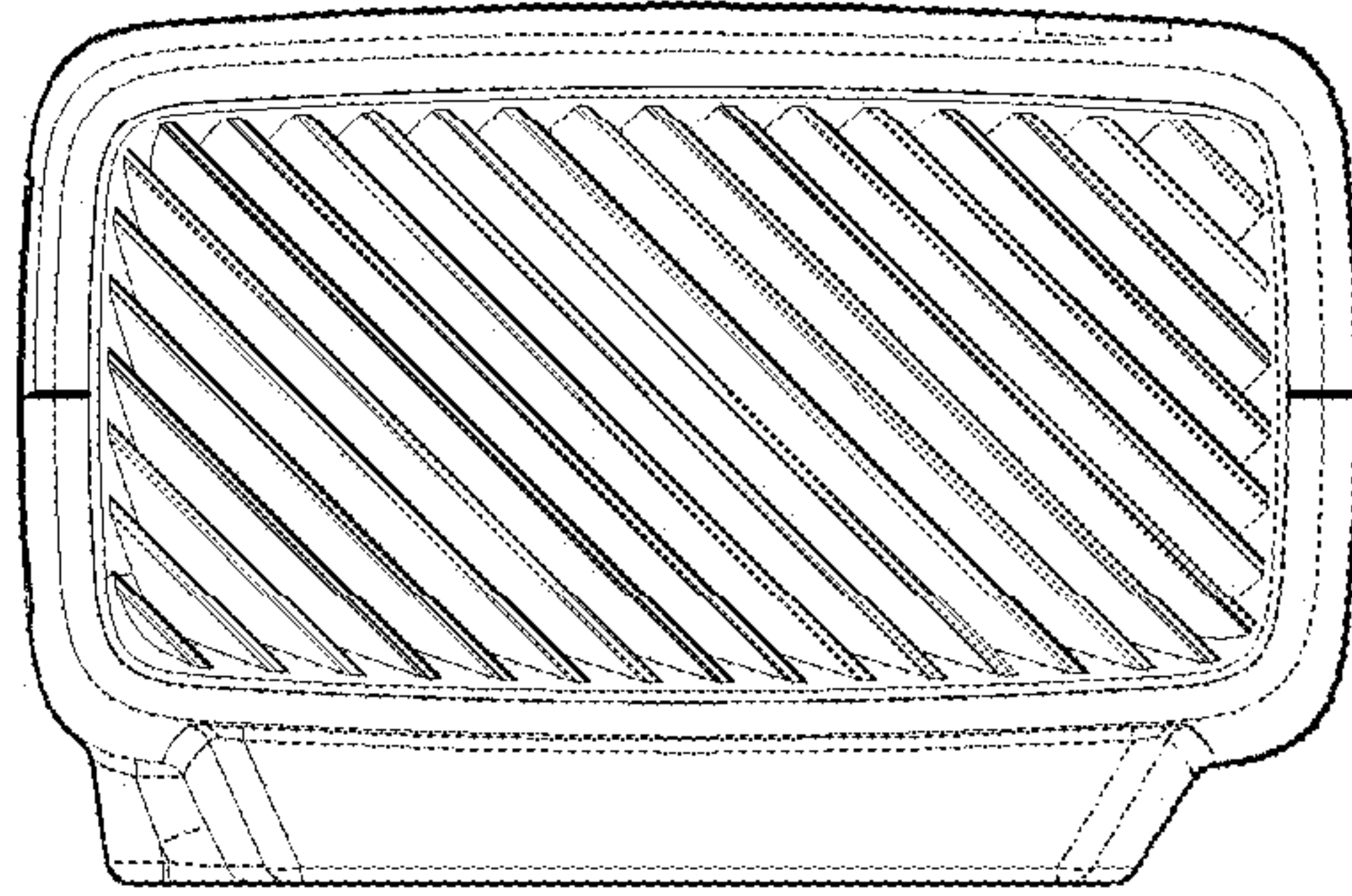


FIG. 7

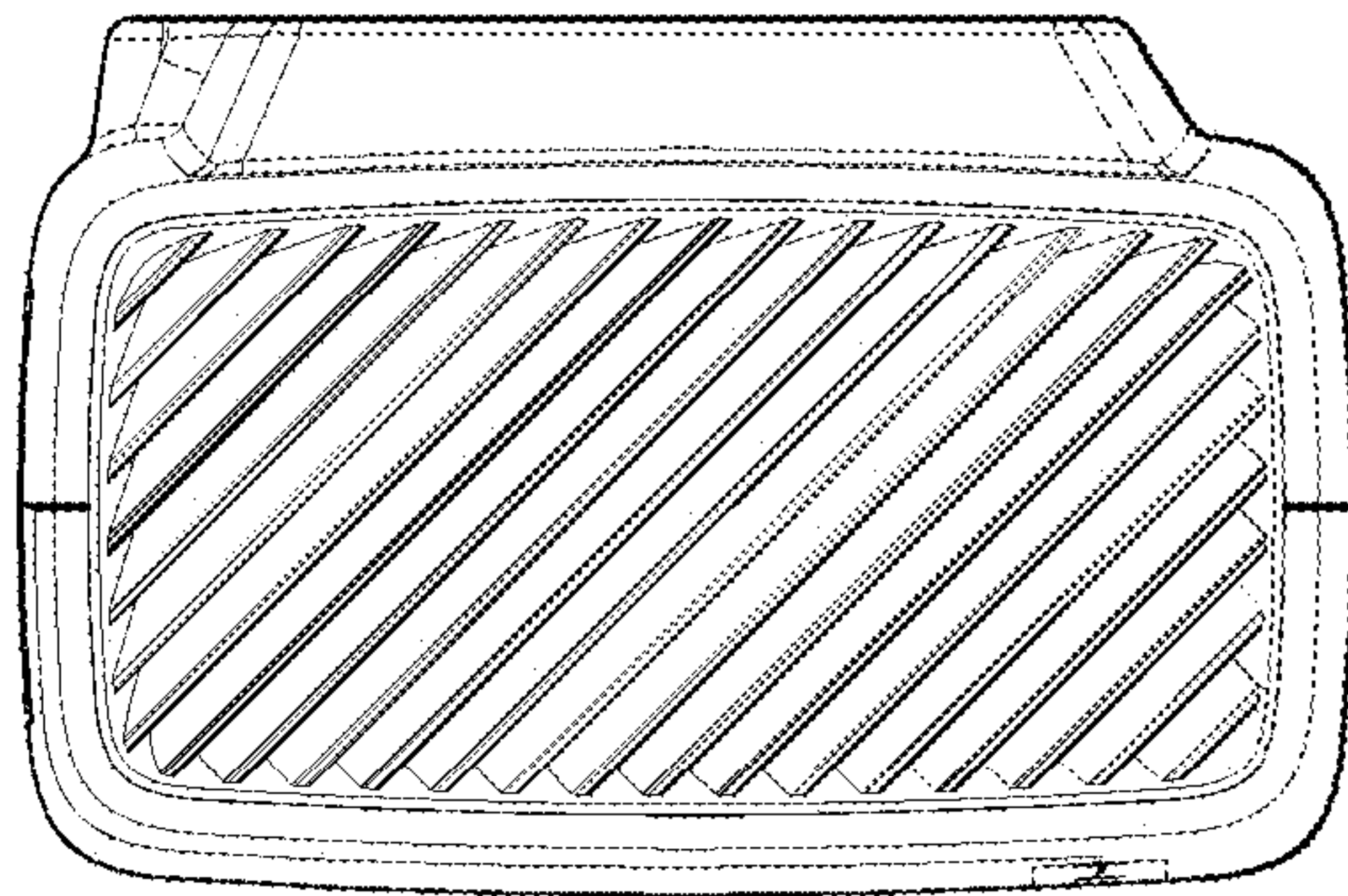


FIG. 6

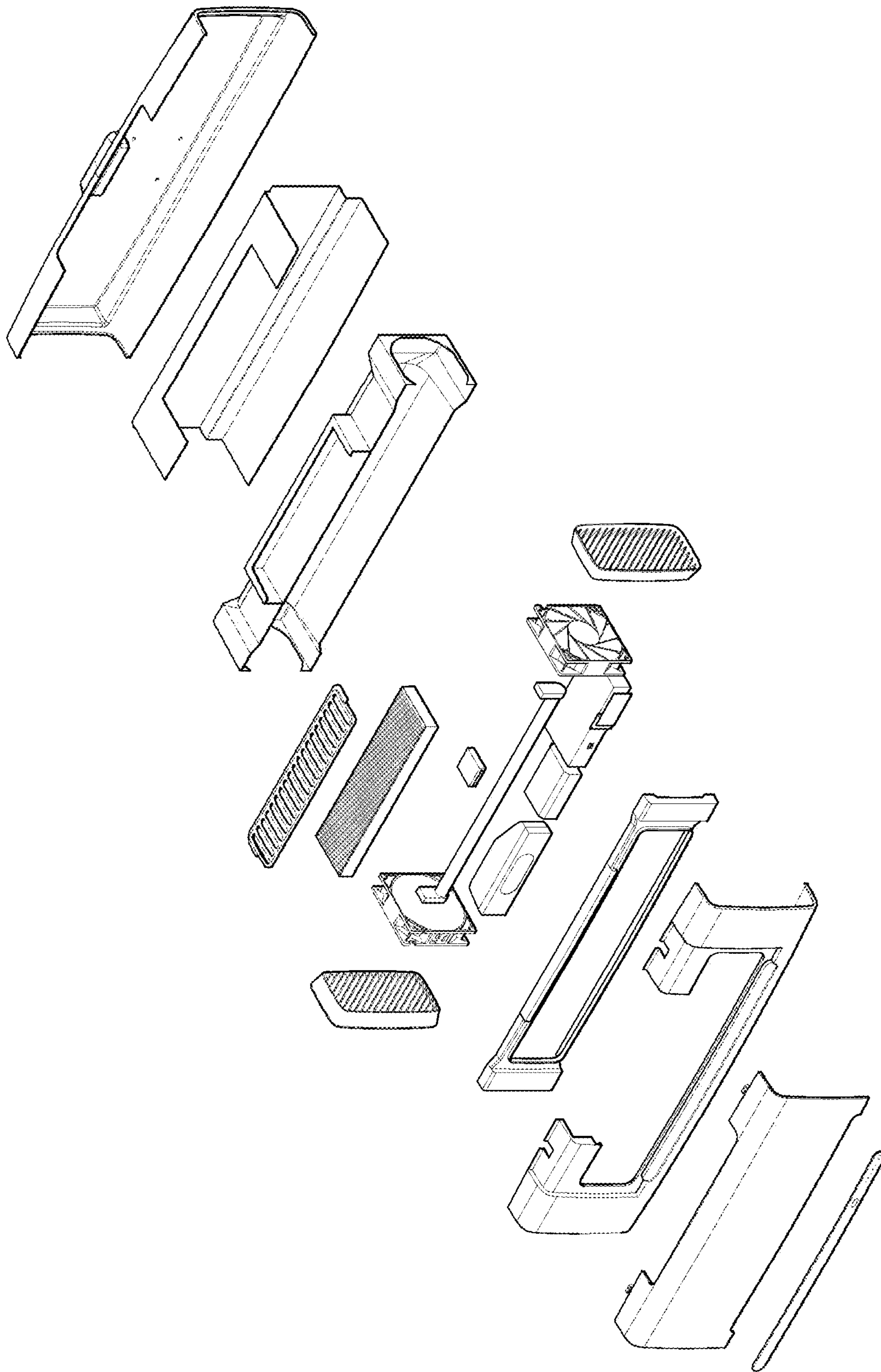


FIG. 8

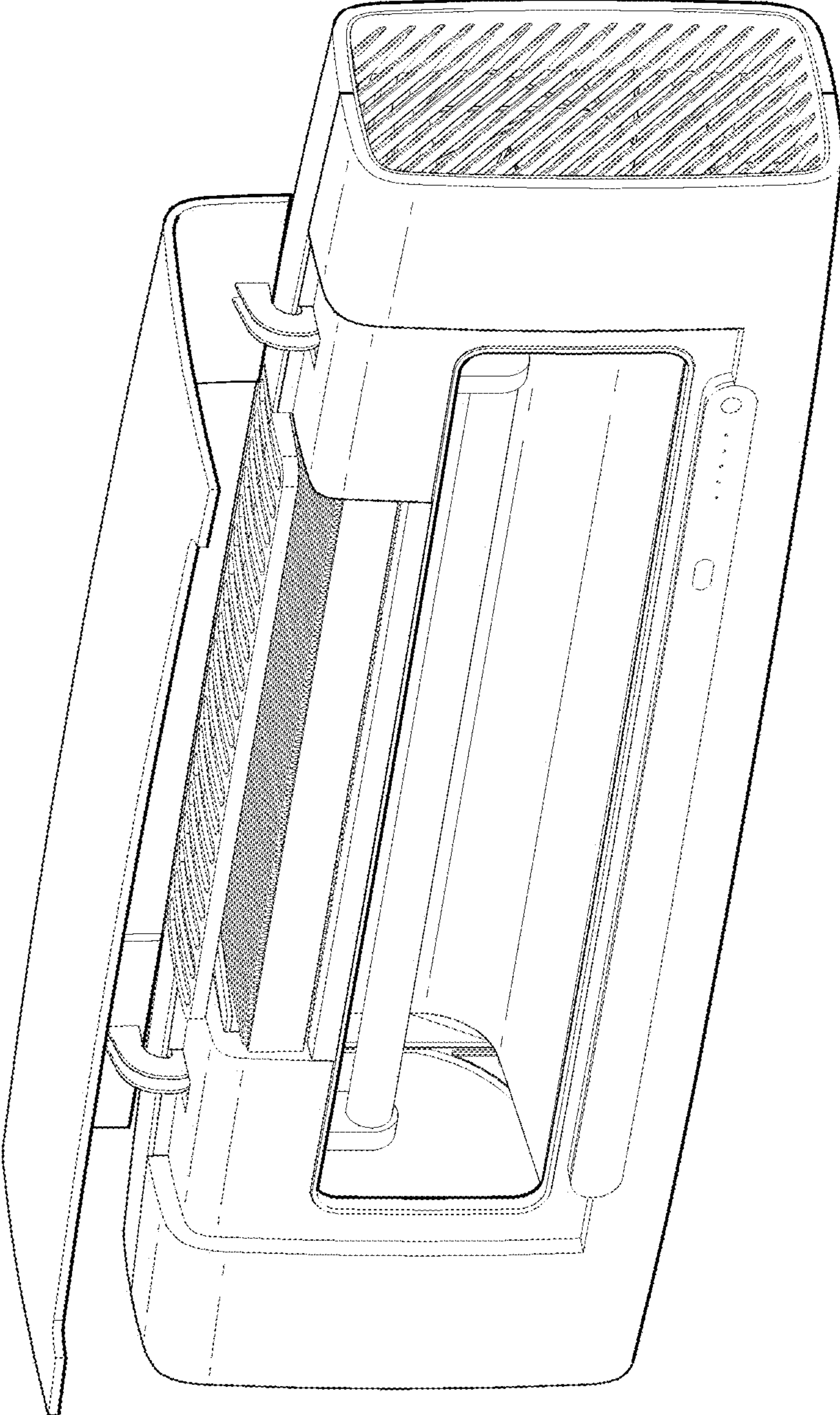


FIG. 9

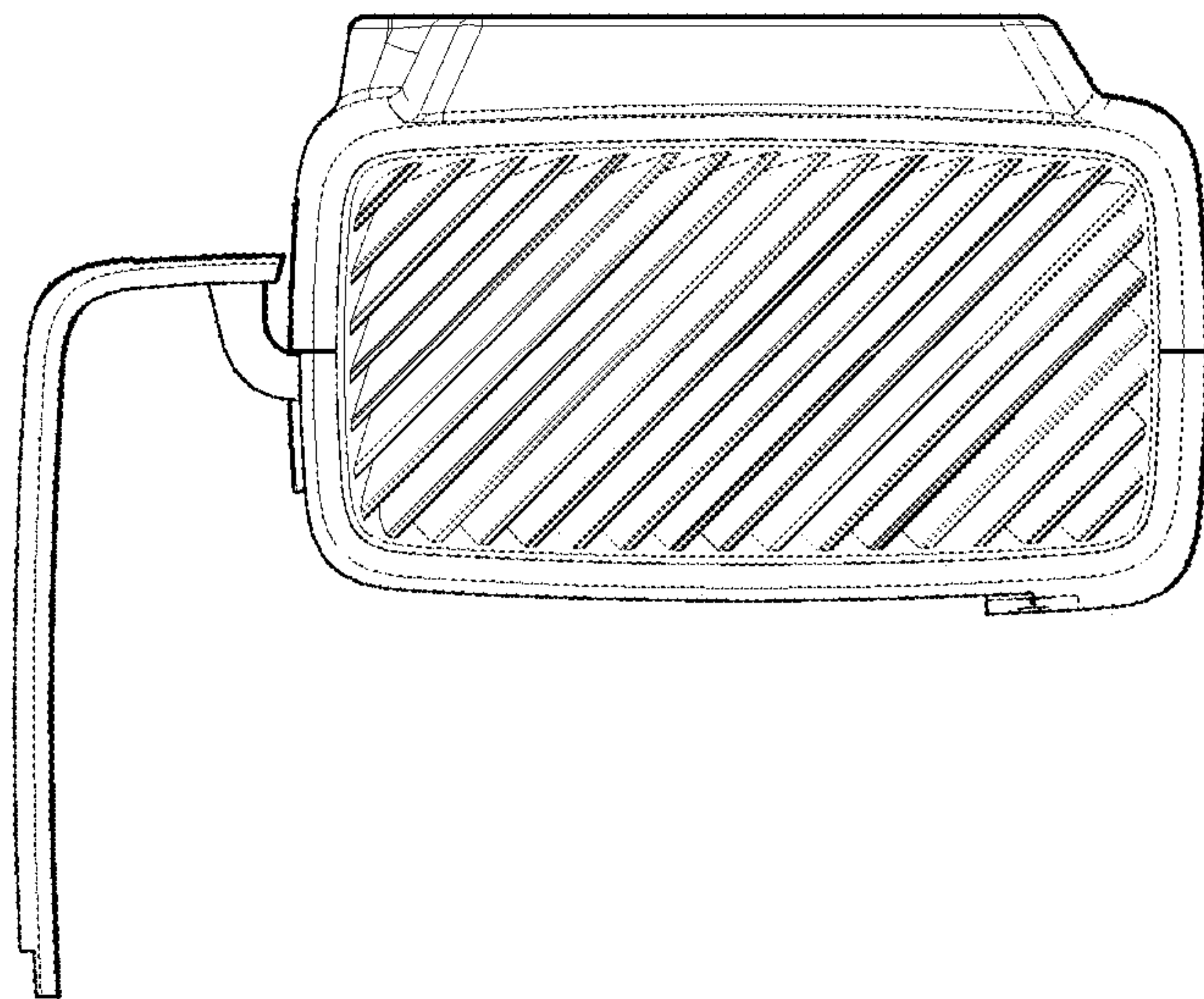


FIG. 10