



US00D975829S

(12) **United States Design Patent** (10) **Patent No.:** **US D975,829 S**
Cran et al. (45) **Date of Patent:** **** Jan. 17, 2023**

(54) **PORTABLE AIR COOLER**
(71) Applicant: **MAKE GREAT SALES LIMITED,**
Hong Kong (HK)
(72) Inventors: **Bruce Peter Cran, HCMC (VN); Kin**
Choi Lee, Wan Chai (HK)
(73) Assignee: **MAKE GREAT SALES LIMITED,**
Hong Kong (HK)

D849,220 S * 5/2019 Fang D23/364
D850,593 S * 6/2019 Petersen D23/333
D852,340 S 6/2019 Bartlettano
10,712,029 B1 7/2020 Barlettano
D924,382 S * 7/2021 He D23/333
D926,302 S * 7/2021 Lee D23/364
2014/0260402 A1* 9/2014 Varma F24F 5/0035
62/314

(**) Term: **15 Years**

(21) Appl. No.: **29/744,870**

(22) Filed: **Jul. 31, 2020**

(51) **LOC (14) Cl.** **23-04**

(52) **U.S. Cl.**
USPC **D23/333**

(58) **Field of Classification Search**
USPC D23/333, 335, 351-367, 388, 397
CPC A01G 13/06; A61L 9/032; A61L 9/122;
F24F 1/00; F24F 1/02; F24F 1/022; F24F
1/06; F24F 1/08; F24F 1/12; F24F 1/14;
F24F 1/16; F24F 1/18; F24F 1/0007;
F24F 1/0022; F24F 1/0029; F24F 1/0033;
F24F 3/12; F24F 3/16; F24F 5/001; F24F
5/0017; F24F 5/0035; F24F 6/00; F24F
6/02; F24F 2006/008

See application file for complete search history.

(56) **References Cited**

U.S. PATENT DOCUMENTS

D291,350 S * 8/1987 Sherman D23/335
D616,080 S * 5/2010 Ching D23/332
D827,115 S * 8/2018 Petersen D23/333
D848,593 S * 5/2019 Exley D23/351

FOREIGN PATENT DOCUMENTS

CN 306072989 S 9/2020
CN 213208069 U 5/2021
EM 5289147-0001 5/2018
EM 5969029-0001 1/2019
EM 8008759-0001 6/2020

* cited by examiner

Primary Examiner — Gino Colan

Assistant Examiner — David Obrien

(74) *Attorney, Agent, or Firm* — Merchant & Gould P.C.

(57) **CLAIM**

The ornamental design for a portable air cooler, as shown and described.

DESCRIPTION

FIG. 1 is a top perspective view showing our design thereof; FIG. 2 is a bottom perspective view; FIG. 3 is a front view; FIG. 4 is a rear view; FIG. 5 is a left side view; FIG. 6 is a right side view; FIG. 7 is a top view; and, FIG. 8 is a bottom plan view thereof.

The broken lines shown in the figures are for the purpose of illustrating portions of the portable air cooler and form no part of the claimed design.

1 Claim, 8 Drawing Sheets

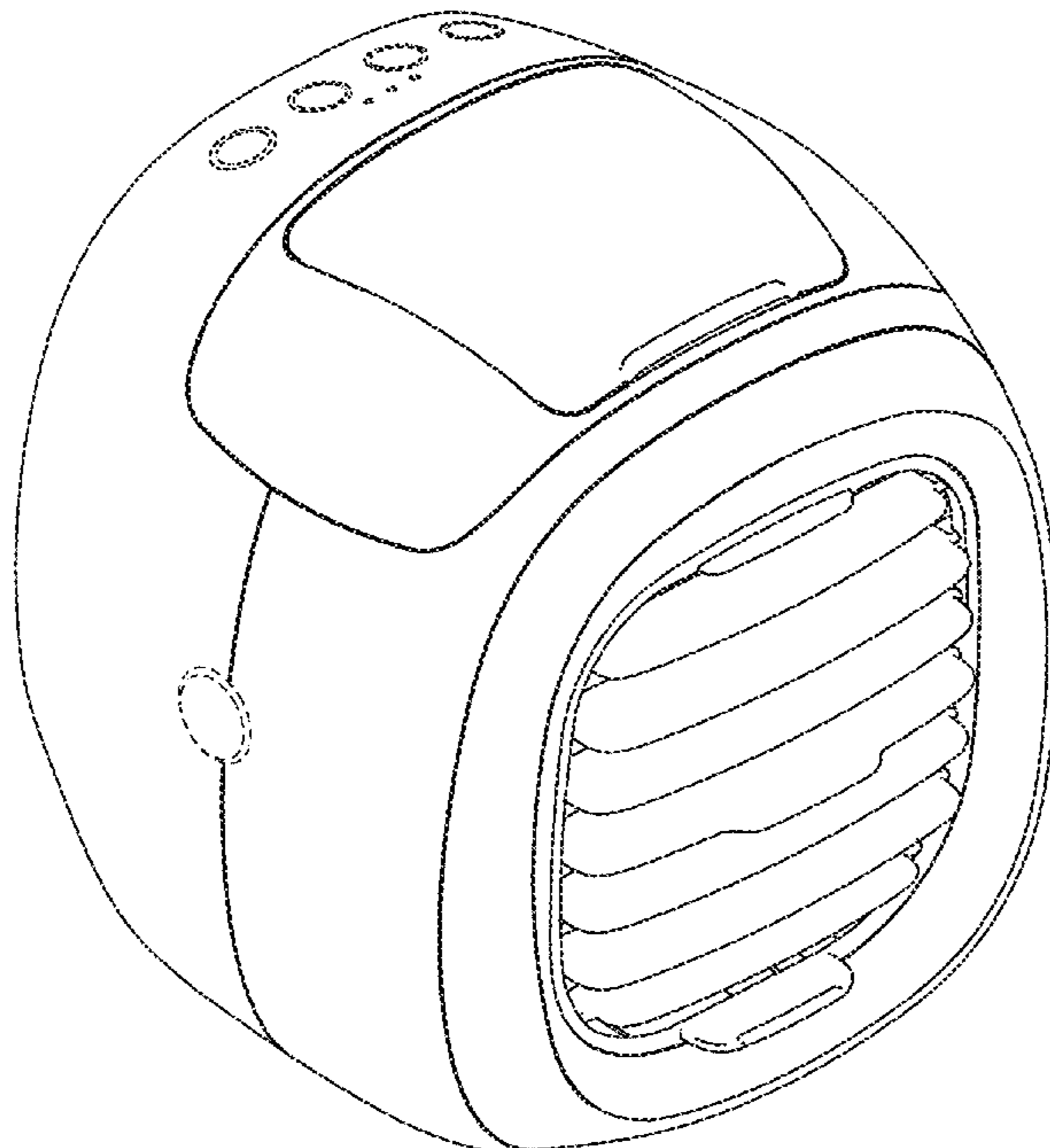


FIG. 1

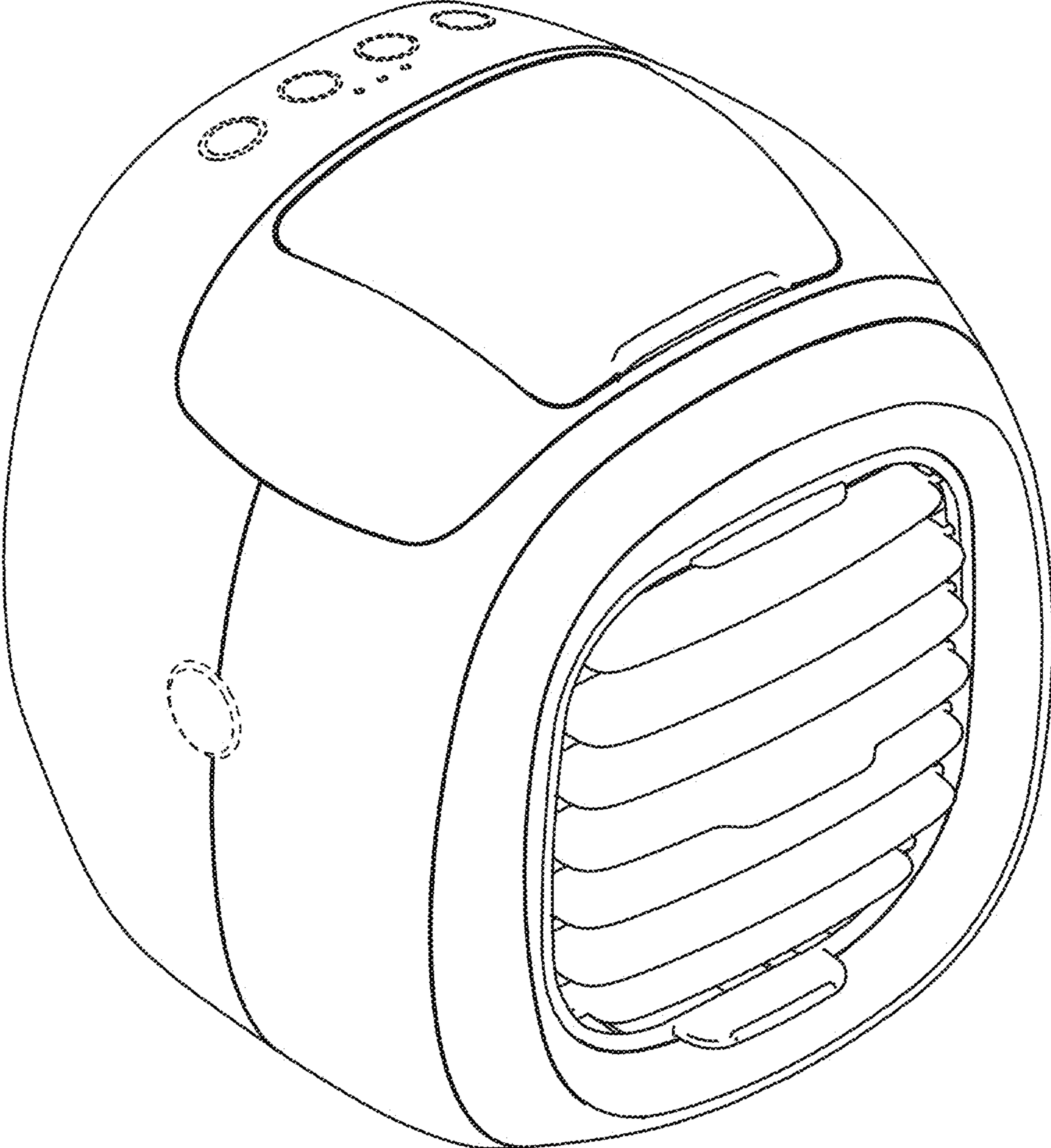


FIG. 2

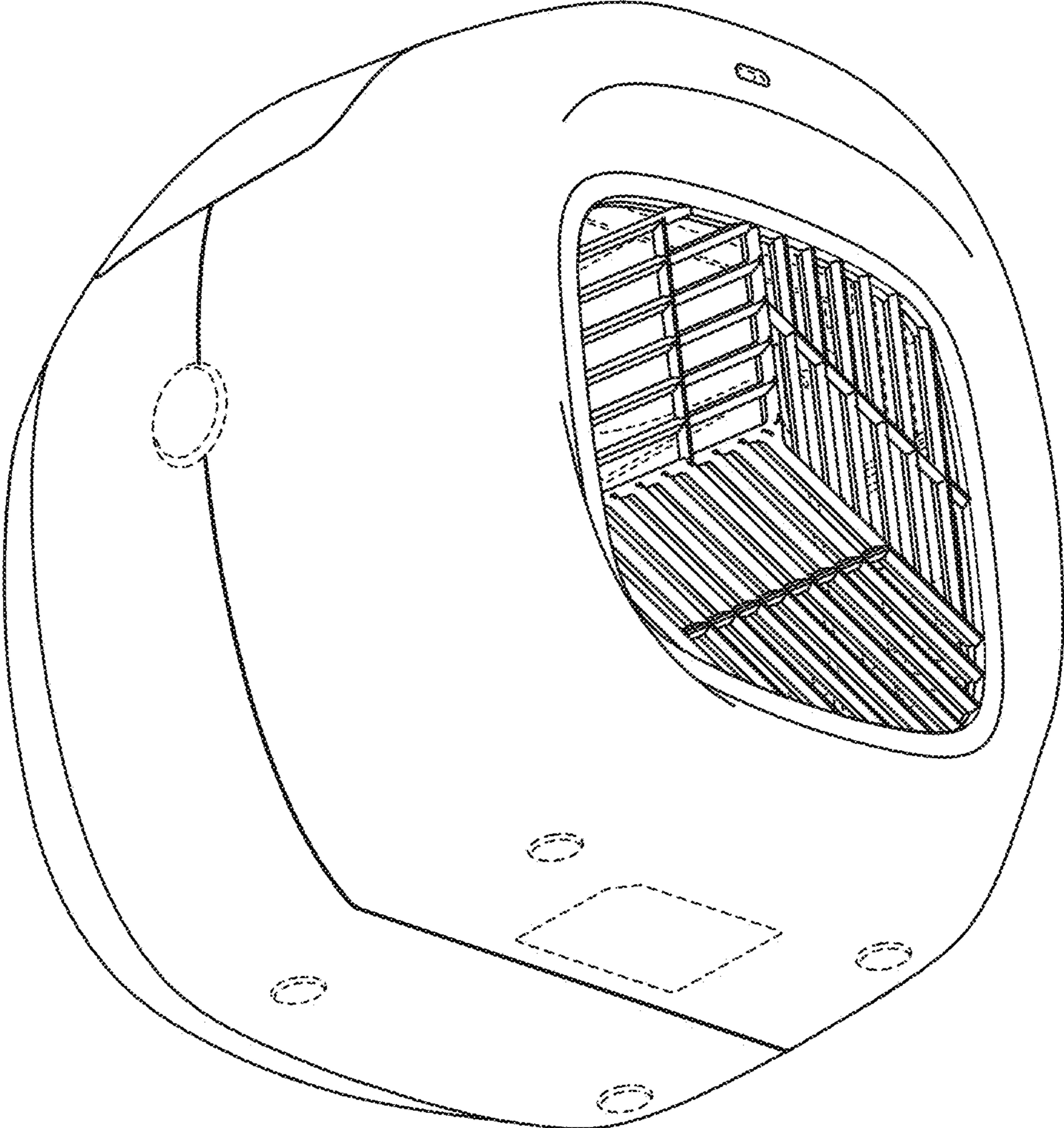


FIG. 3

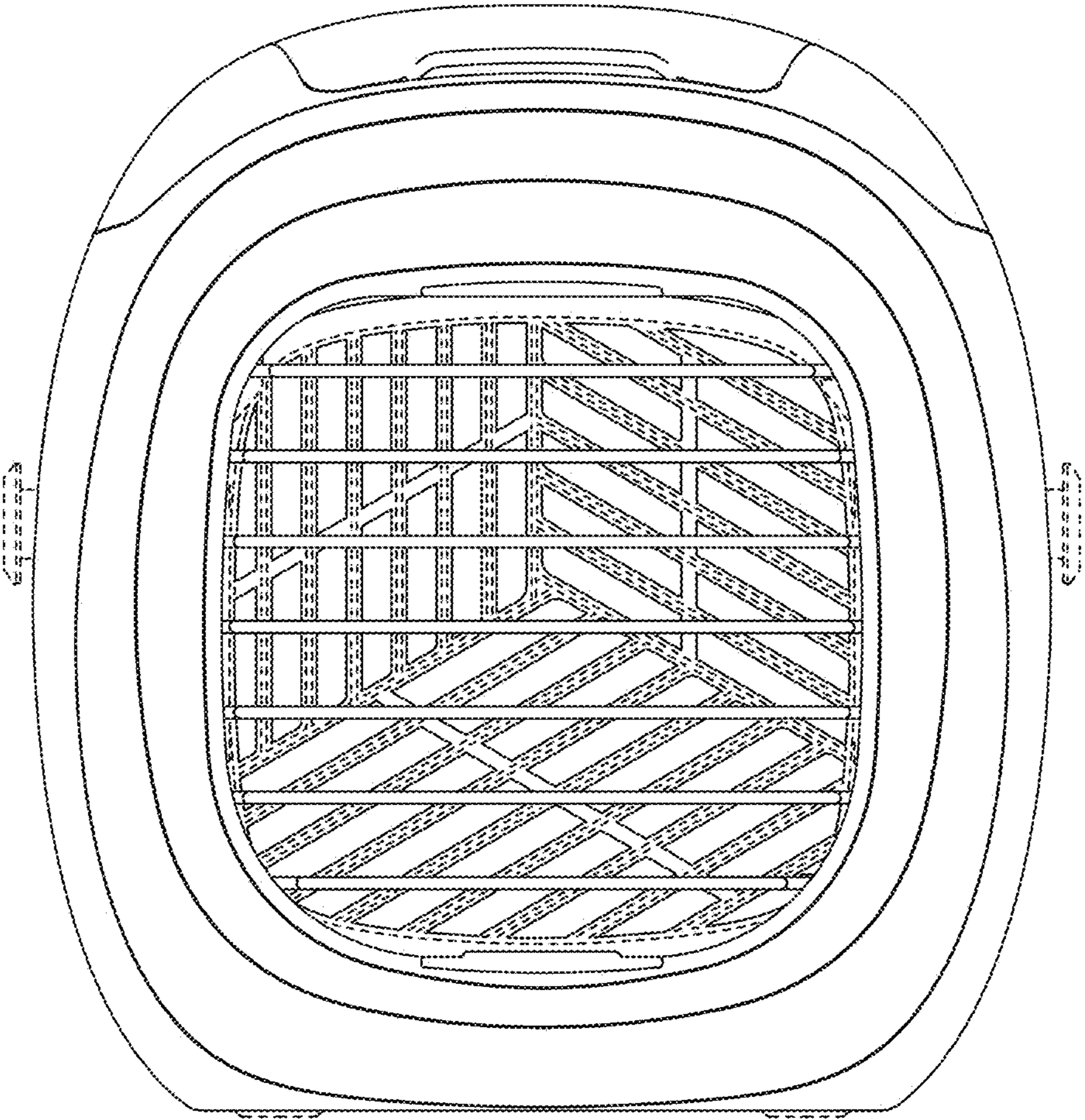


FIG. 4

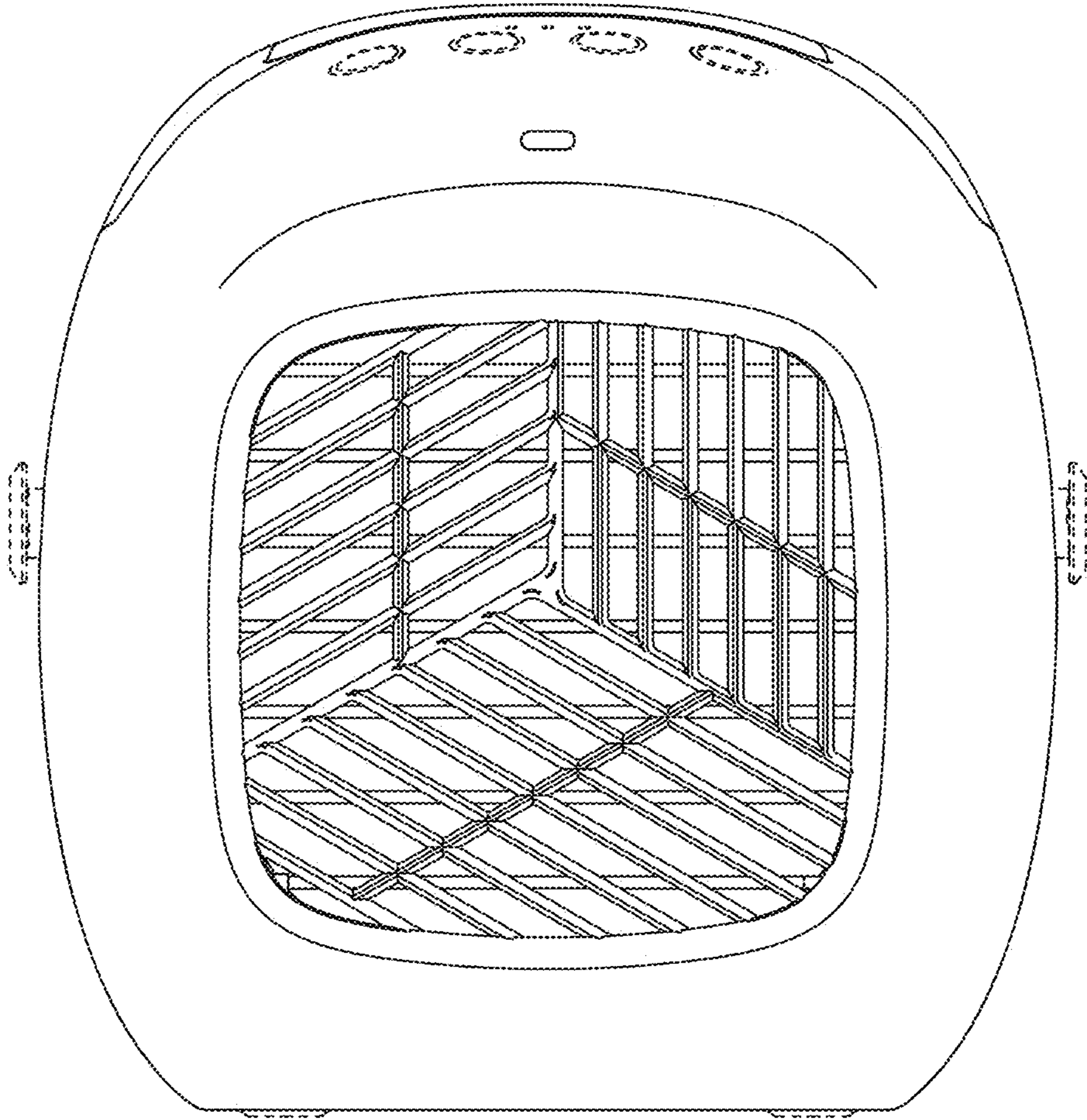


FIG. 5

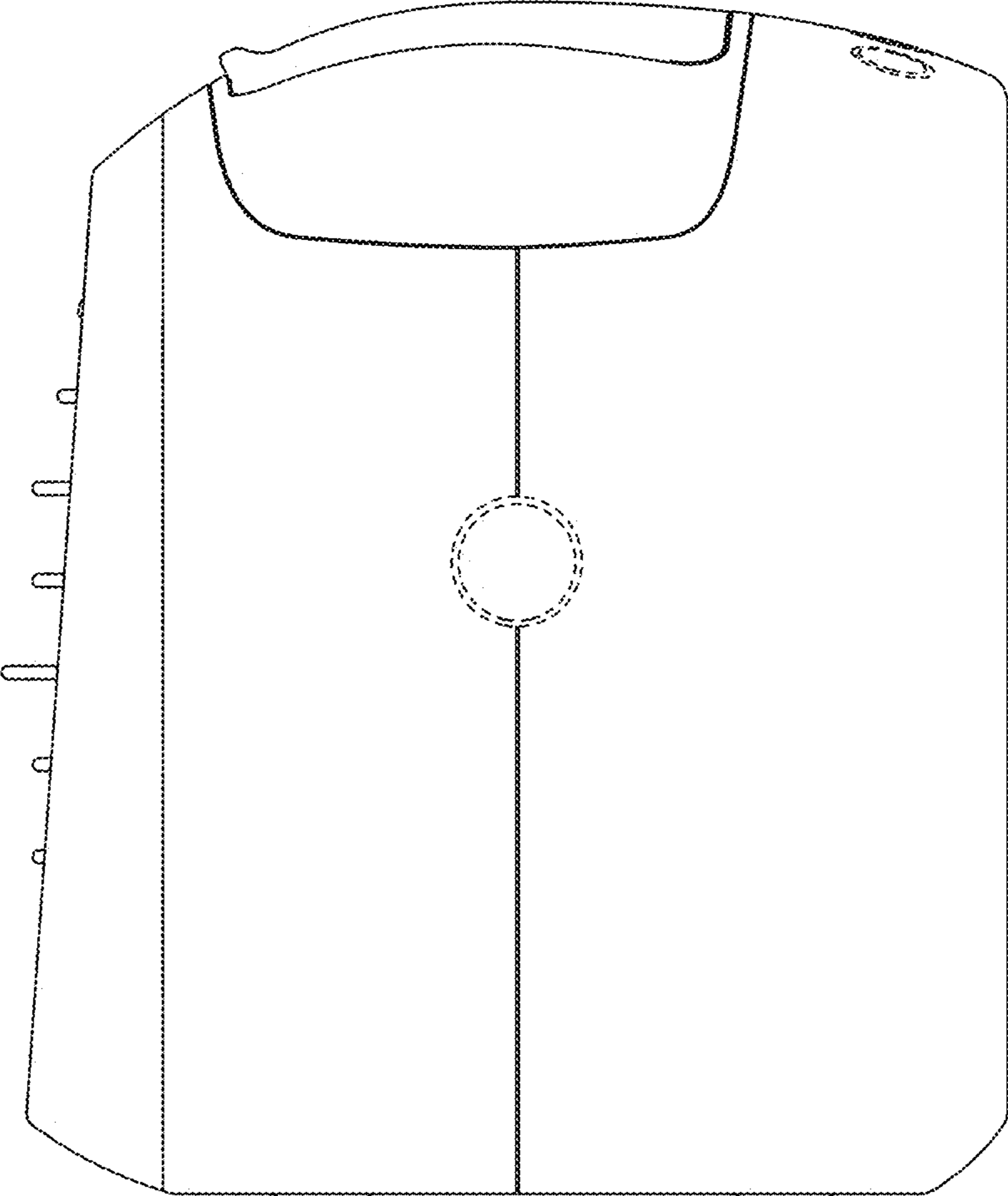


FIG. 6

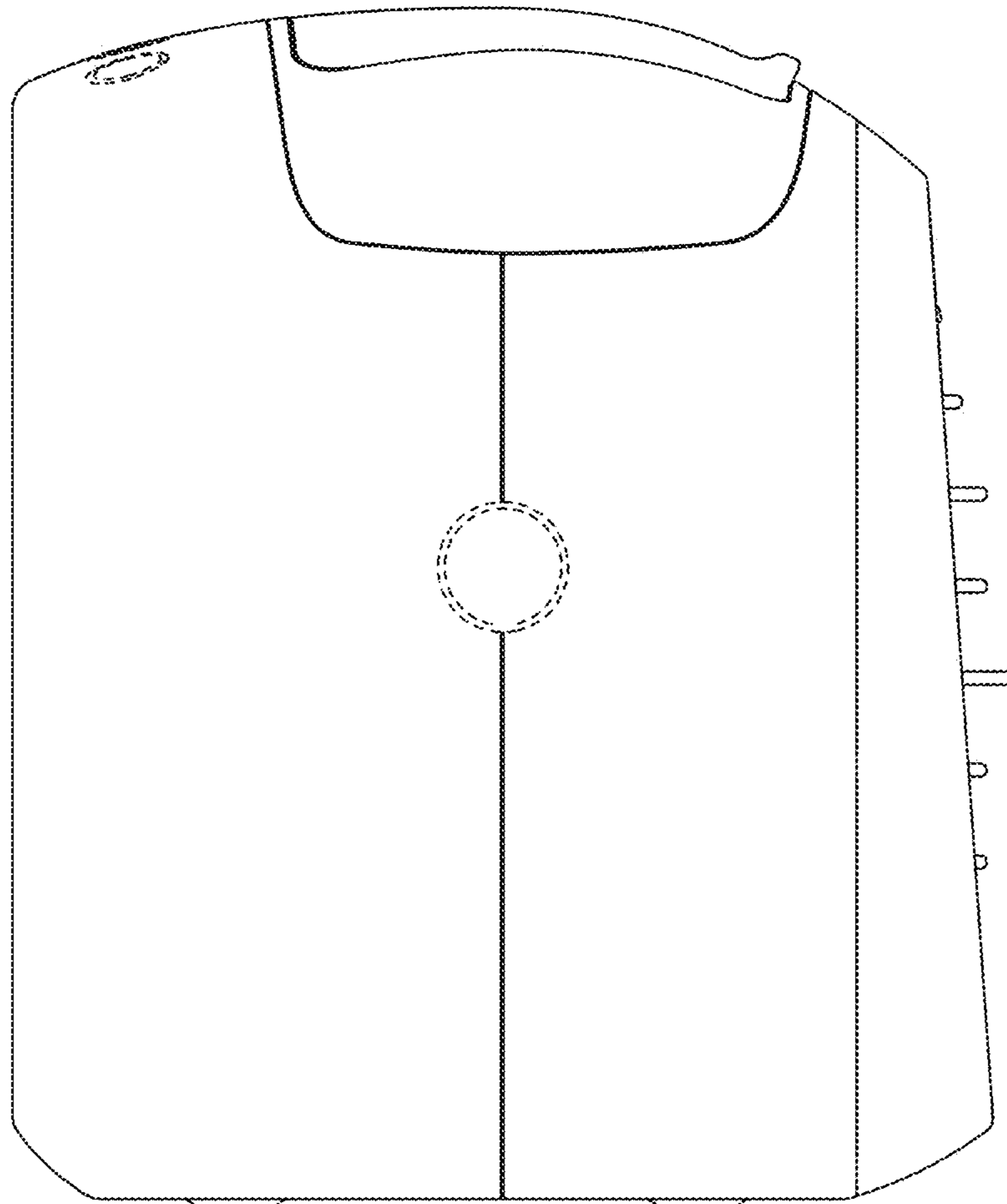


FIG. 7

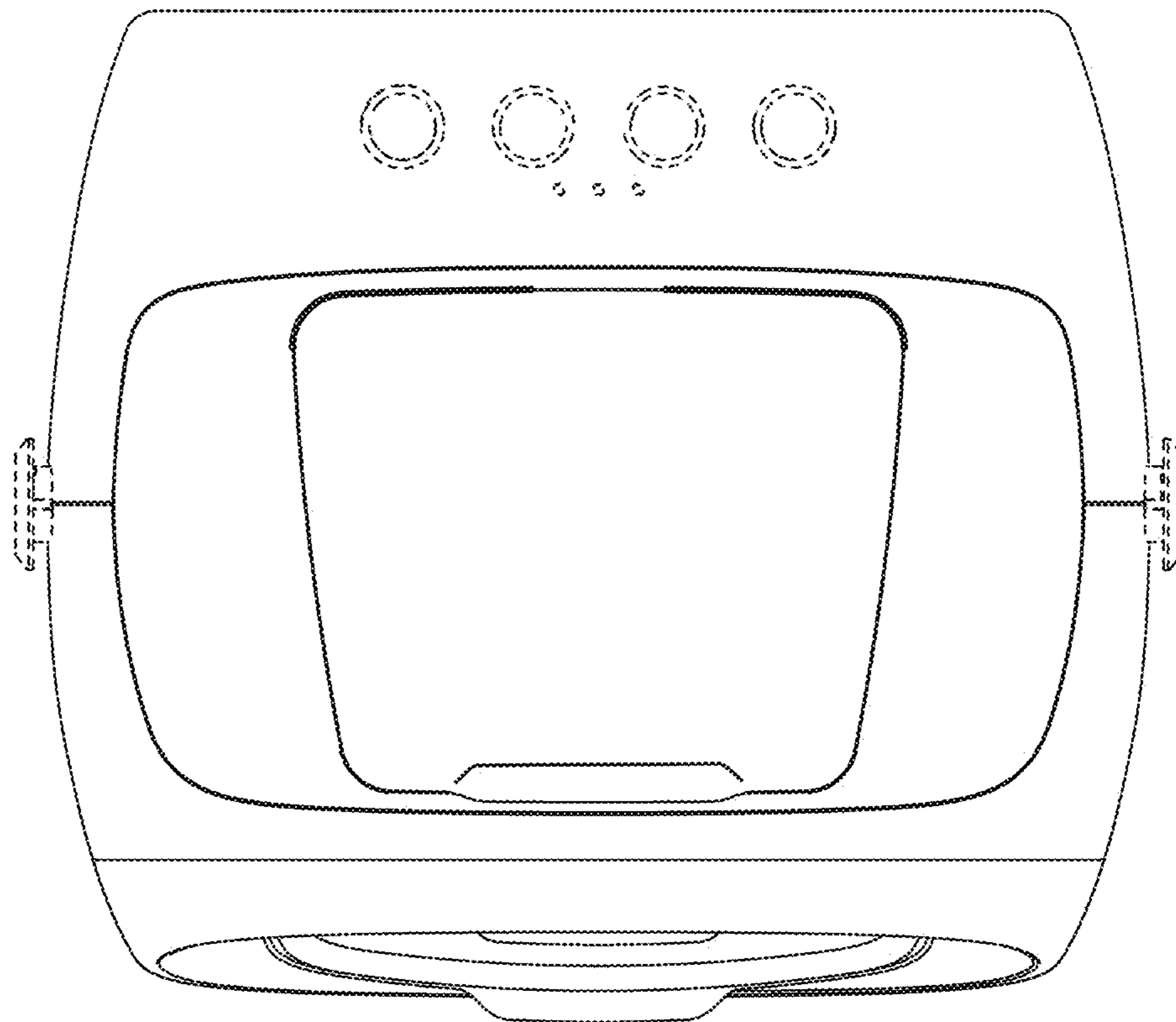


FIG. 8

