



US00D975828S

(12) **United States Design Patent**
Aneja

(10) **Patent No.:** **US D975,828 S**

(45) **Date of Patent:** **** Jan. 17, 2023**

(54) **SHOWER FOOT REST**

(71) Applicant: **Neil Aneja**, Roanoke, VA (US)

(72) Inventor: **Neil Aneja**, Roanoke, VA (US)

(73) Assignee: **Neil Aneja**, Roanoke, VA (US)

(**) Term: **15 Years**

(21) Appl. No.: **29/819,073**

(22) Filed: **Dec. 13, 2021**

(51) **LOC (14) Cl.** **23-02**

(52) **U.S. Cl.**
USPC **D23/304**

(58) **Field of Classification Search**
USPC D56/274, 283, 303-305; D8/388;
D6/349, 346, 362
See application file for complete search history.

(56) **References Cited**

U.S. PATENT DOCUMENTS

2,557,434	A	7/1949	Hoverder	
D284,689	S *	7/1986	King	D23/304
5,331,693	A	7/1994	Petersen et al.	
D360,023	S *	7/1995	Hunger	D23/304
7,266,851	B1	9/2007	Batalini	
D557,127	S	12/2007	Lee et al.	
7,665,706	B2	2/2010	Chien et al.	
D639,409	S *	6/2011	Gilbert	D23/304
D722,144	S *	2/2015	Laberda	D23/304
D895,992	S *	9/2020	Hall	D6/349
2007/0163039	A1	7/2007	Lee et al.	

FOREIGN PATENT DOCUMENTS

WO 2003041548 A1 5/2003

OTHER PUBLICATIONS

AmeriLuck 16.5inch Suction Bath Grab Bar with Indicators, Balance Assist Bathroom Shower Handle, Silver/Grey: https://www.amazon.com/AmeriLuck-Suction-Indicators-Bathroom-Shower/dp/B07YXRHZ1N?ref=ast_sto_dp&th=1&psc=1 (Year: 2018).*
Suction Cup Foot Rest Shower Shaving Shower Foot Rest Waterproof Works with Tiled or Regular Shower Stand, https://www.amazon.com/Shower-Shaving-Pedestal-Suction-Bathtub/dp/B09CPK9XHJ/ref=cm_cr_ar_p_d_product_top?ie=UTF8 (Year: 2021).*

* cited by examiner

Primary Examiner — Robert A Delehanty

(74) *Attorney, Agent, or Firm* — Dickinson Wright PLLC

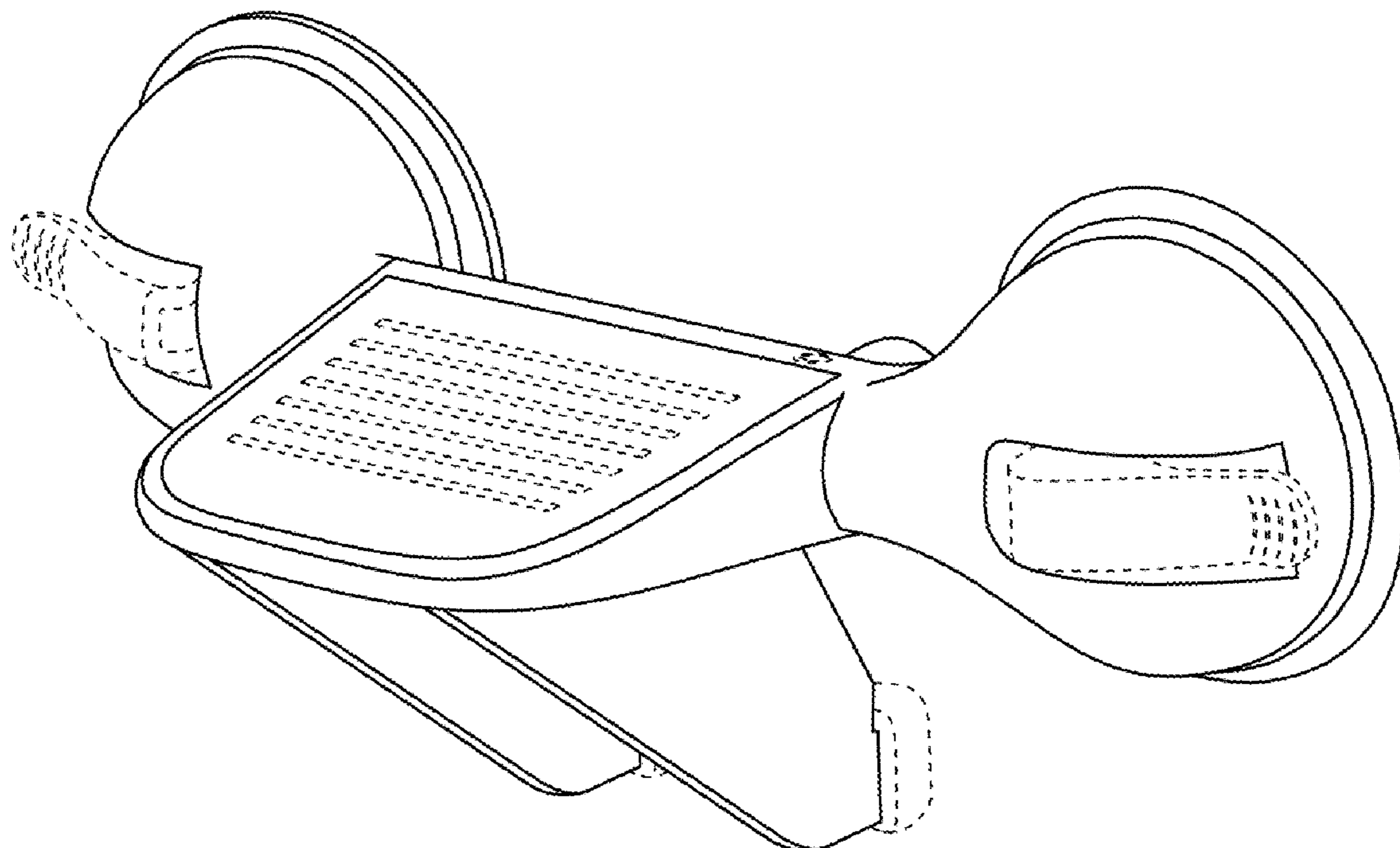
(57) **CLAIM**

The ornamental design for a shower foot rest, as shown and described.

DESCRIPTION

FIG. 1 is a perspective view of shower foot rest, showing our new design;
FIG. 2 is a top view of the shower foot rest;
FIG. 3 is a bottom view of the shower foot rest;
FIG. 4 is a right side view of the shower foot rest;
FIG. 5 is a left side view of the shower foot rest;
FIG. 6 is a front view of the shower foot rest; and,
FIG. 7 is a rear view of the shower foot rest.
The broken lines depict portions of the shower foot rest that form no part of the claimed design, and environment that forms no part of the claimed design.

1 Claim, 4 Drawing Sheets



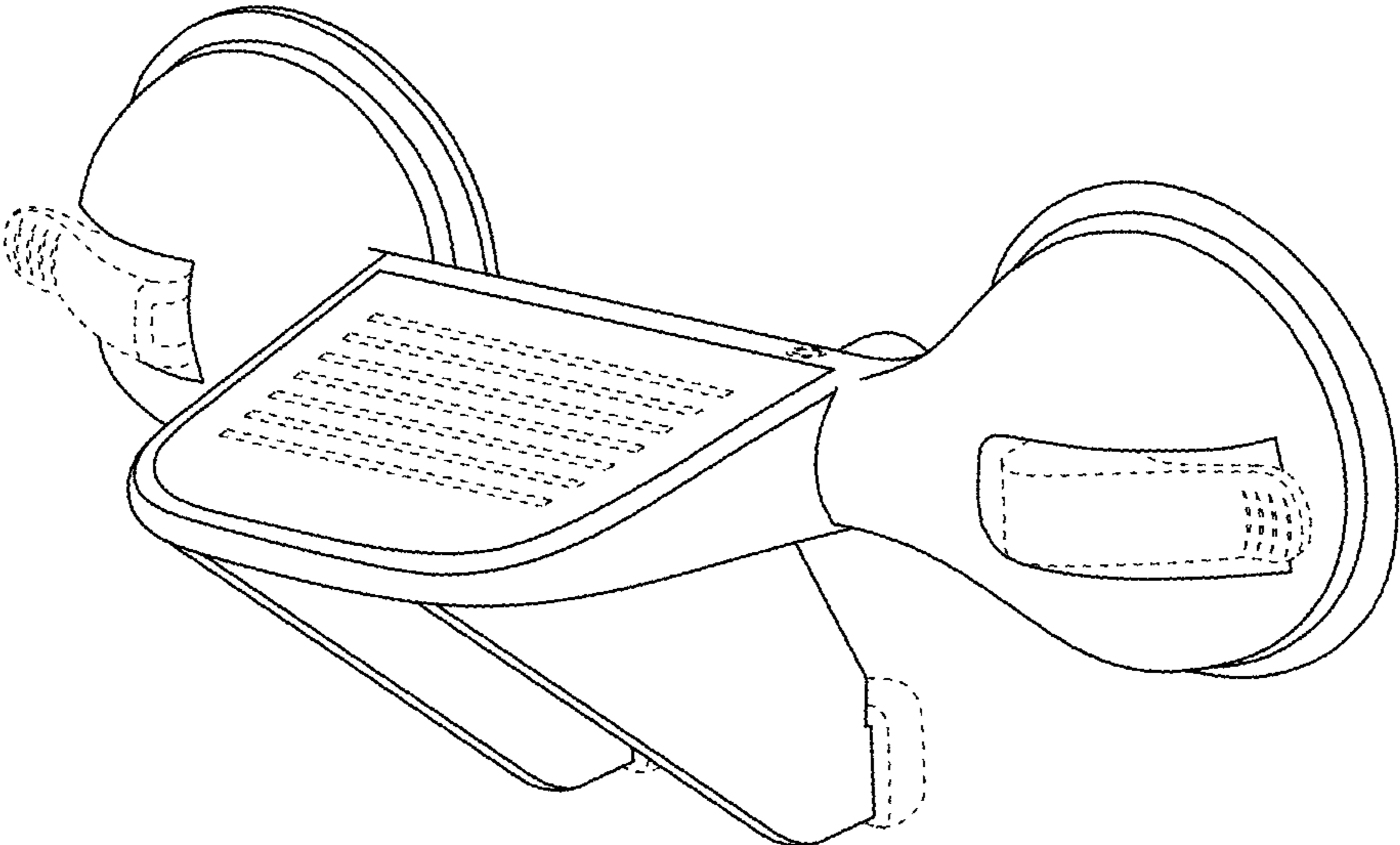


FIG. 1

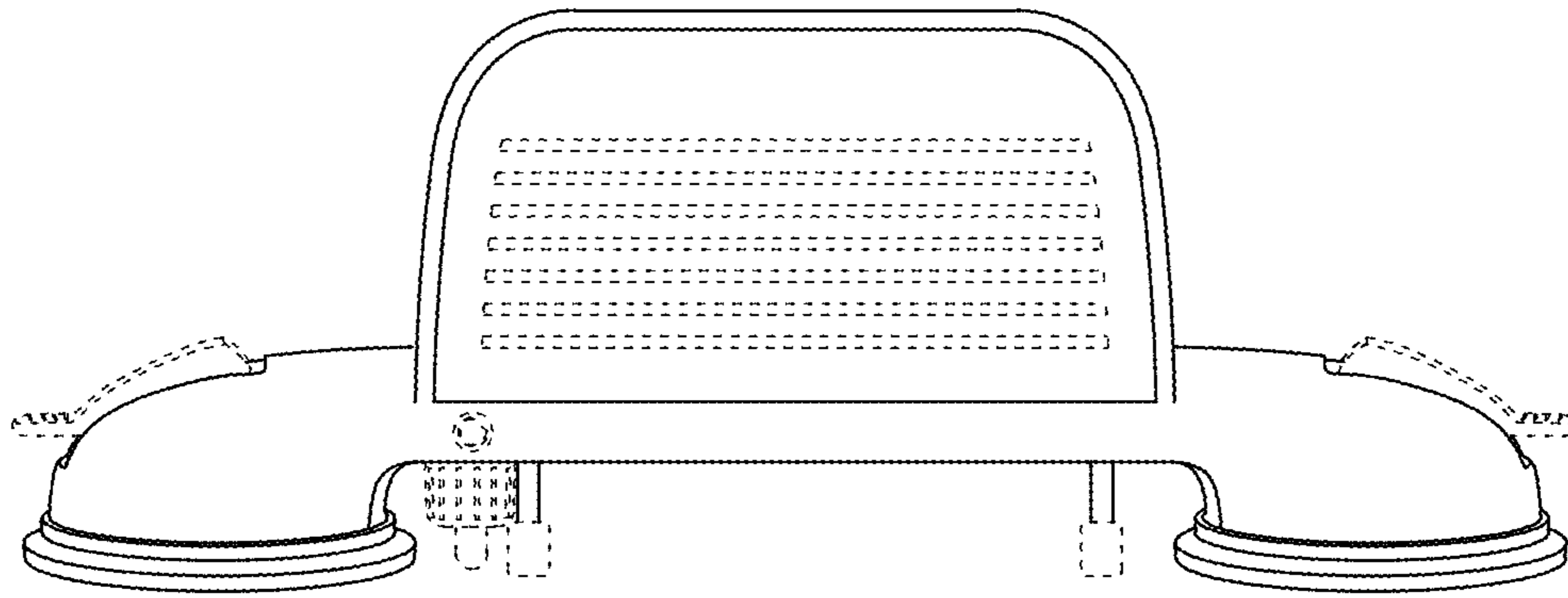


FIG. 2

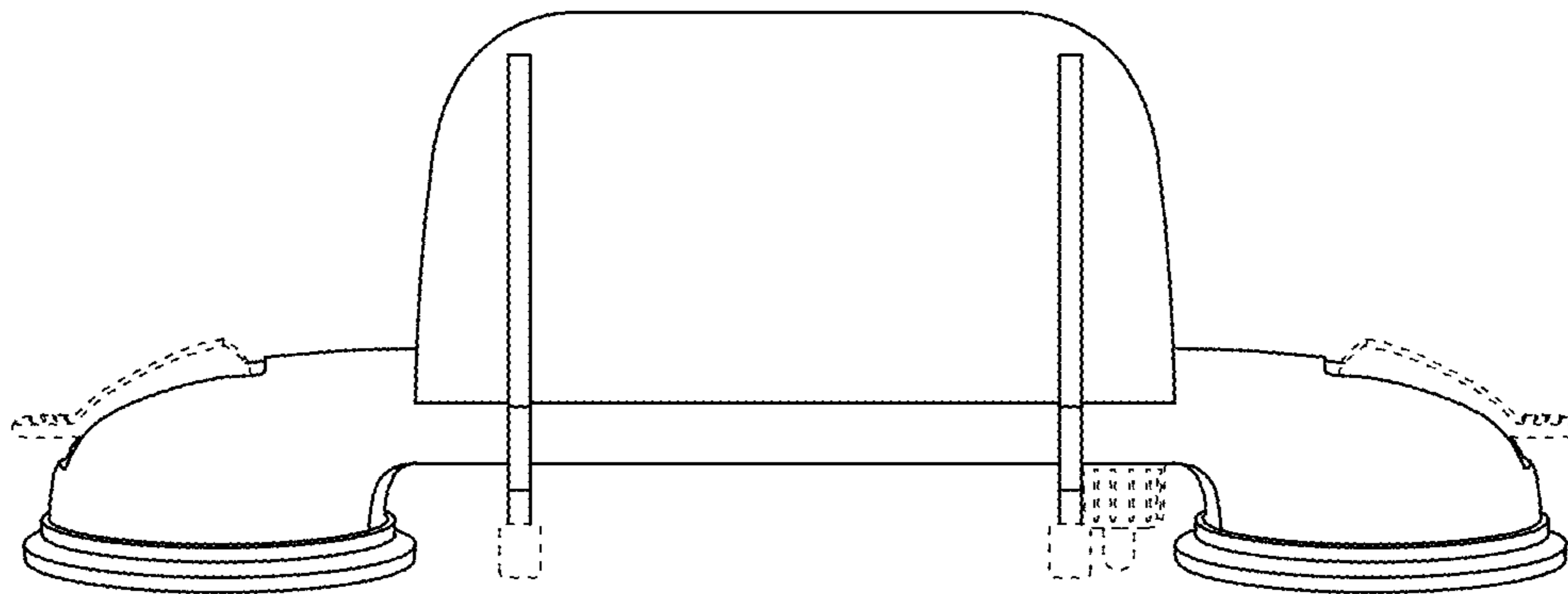


FIG. 3

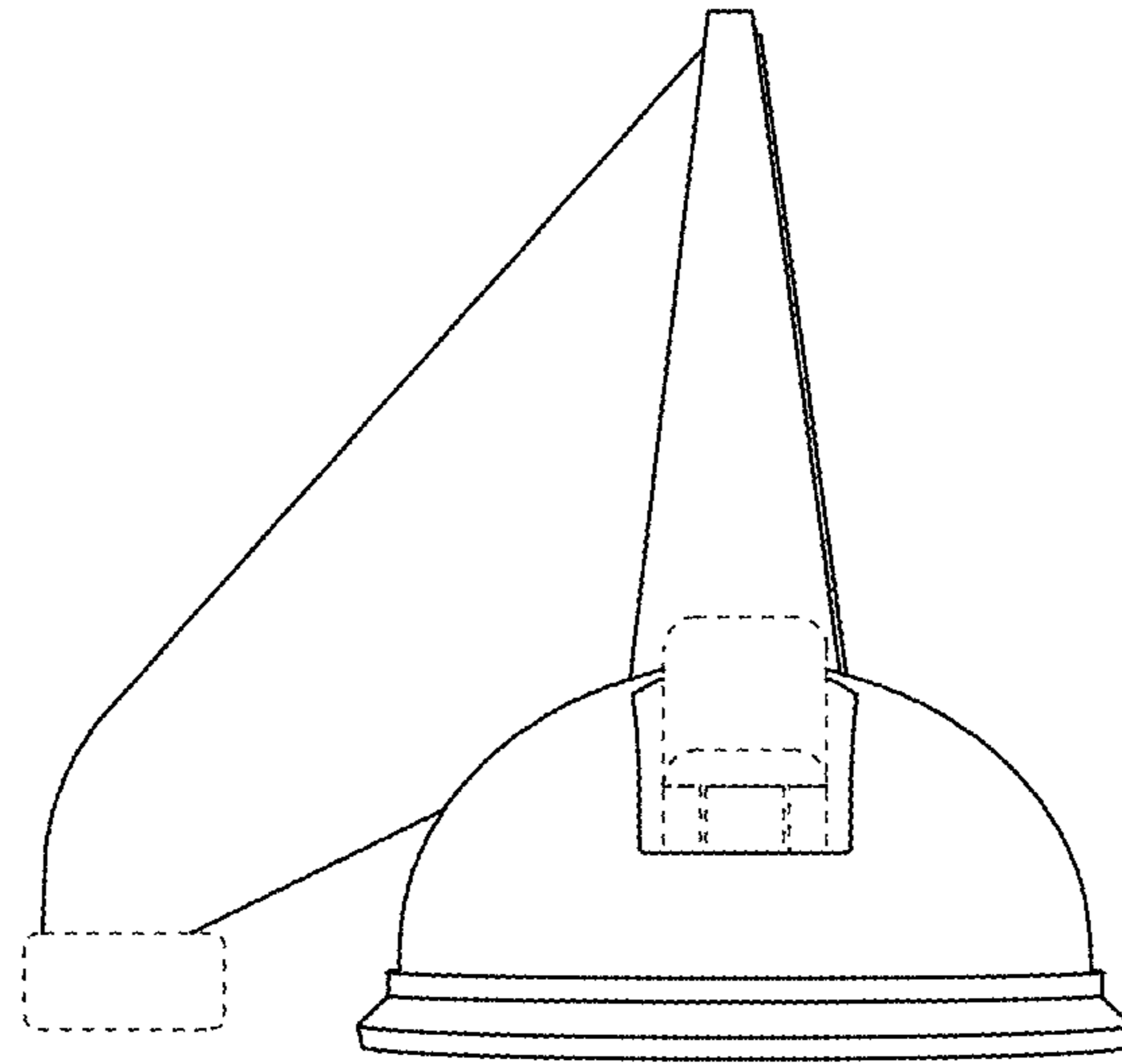


FIG. 4

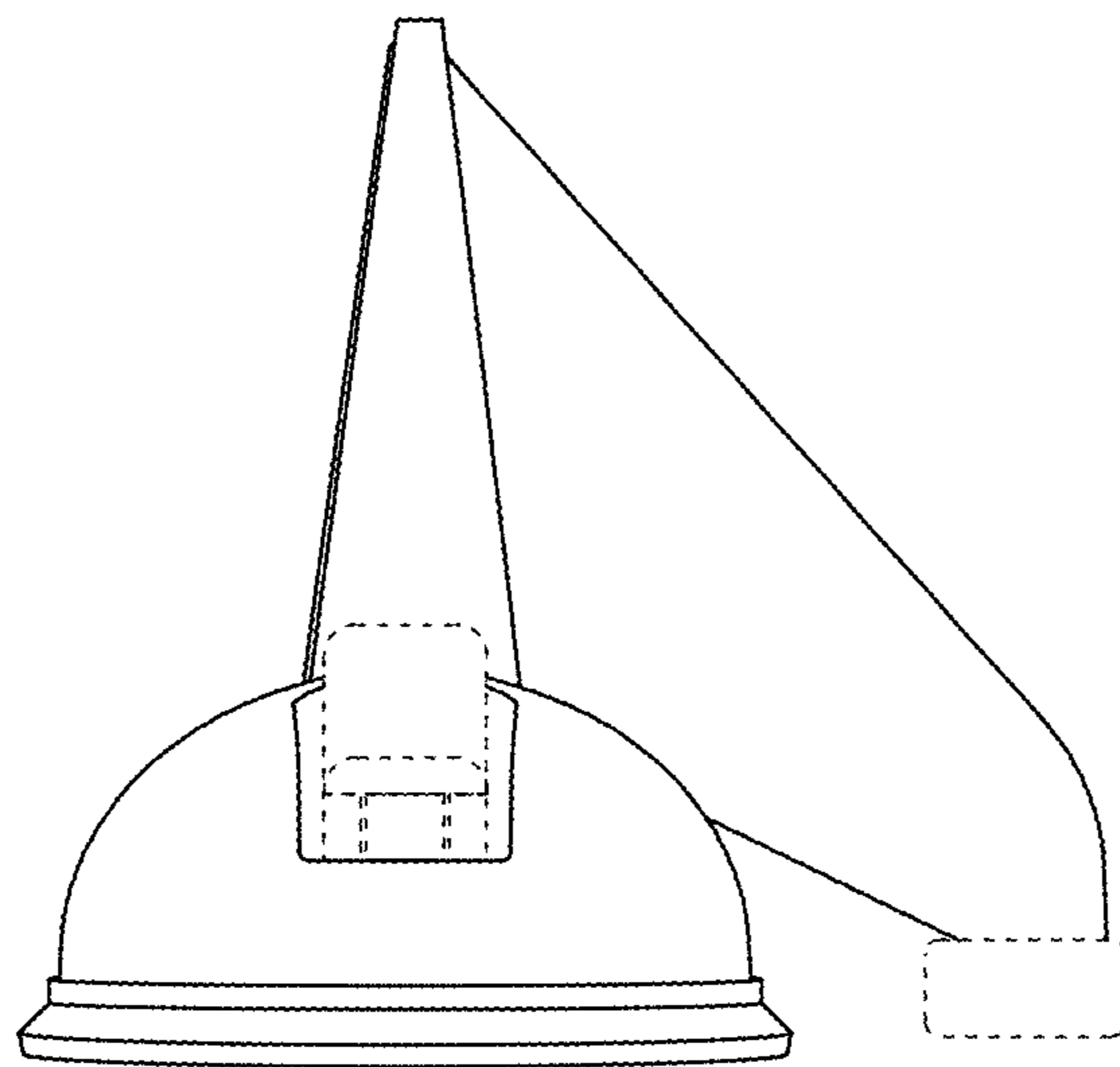


FIG. 5

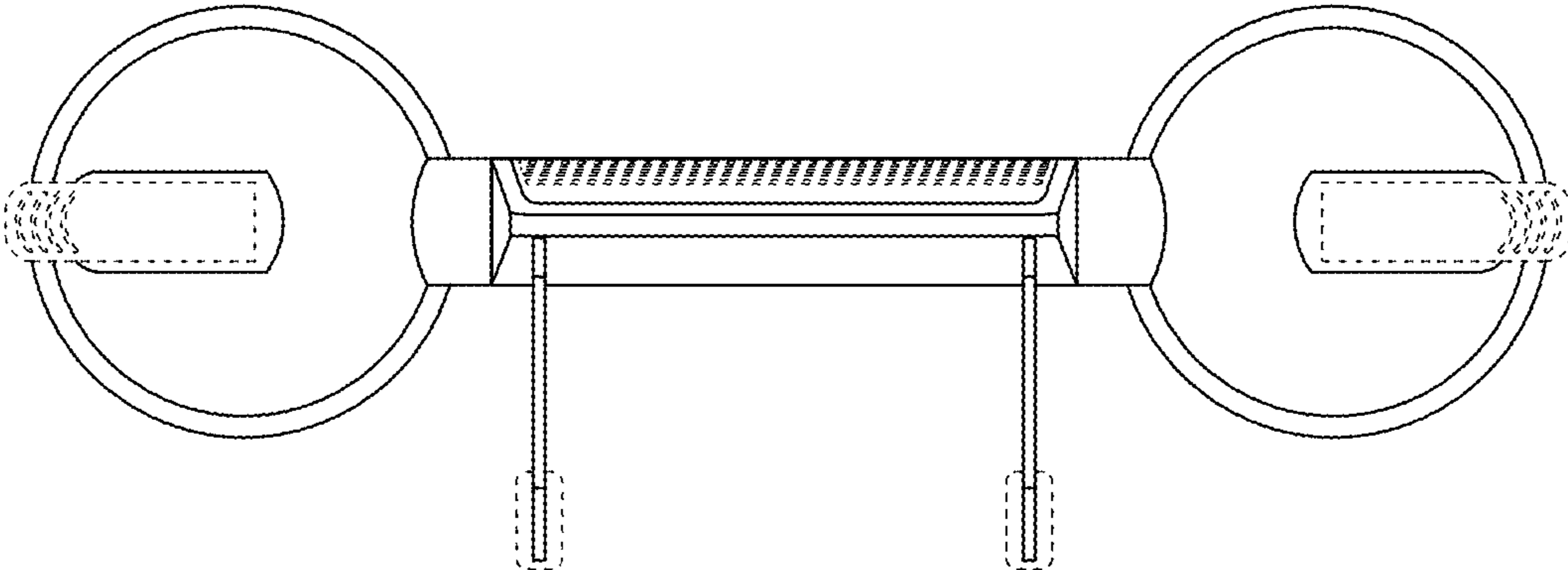


FIG. 6

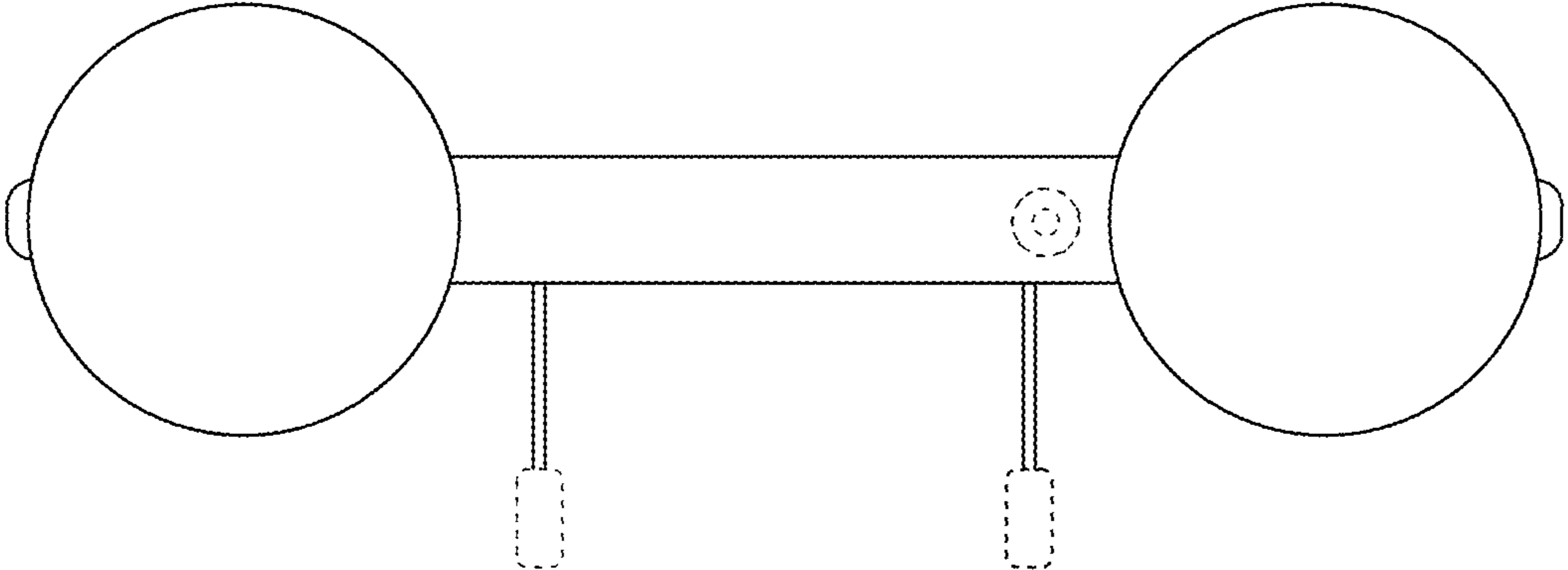


FIG. 7