



US00D975827S

(12) **United States Design Patent** (10) **Patent No.:** **US D975,827 S**
Seckiner (45) **Date of Patent:** **** Jan. 17, 2023**

(54) **DOUBLE BASIN SINK**
(71) Applicant: **Akgun Seckiner**, Alpharetta, GA (US)
(72) Inventor: **Akgun Seckiner**, Alpharetta, GA (US)
(**) Term: **15 Years**
(21) Appl. No.: **29/779,099**

D867,555 S 11/2019 Huang
D869,618 S 12/2019 Walther et al.
D871,562 S 12/2019 Parekh
(Continued)

FOREIGN PATENT DOCUMENTS

CA 115233 * 5/2007
CA 149276 1/2014
(Continued)

(22) Filed: **Apr. 16, 2021**
(51) **LOC (14) Cl.** **23-02**
(52) **U.S. Cl.**
USPC **D23/284**
(58) **Field of Classification Search**
USPC D23/284–286, 290, 293.1, 308, 499
CPC A47B 77/06; A47K 1/02; A47L 17/02;
E03C 1/14; E03C 1/18; E03C 1/182;
E03C 1/186
See application file for complete search history.

OTHER PUBLICATIONS

Elkay Quartz Classic ELG3322WH0 White Equal Double Bowl Top Mount Sink, announced Sep. 15, 2008[online], [site visited Oct. 5, 2022]. Available from internet, URL:<https://www.amazon.com/dp/B001G4XDJE?th=1> (Year: 2008).*
(Continued)

Primary Examiner — David G Muller
Assistant Examiner — Jamaal Rasheed
(74) *Attorney, Agent, or Firm* — Taylor English Duma

(56) **References Cited**

U.S. PATENT DOCUMENTS

D234,464 S * 3/1975 Stairs D23/290
D353,652 S 12/1994 Dannenberg
D358,457 S 5/1995 Dannenberg
D451,585 S 12/2001 Svendsen et al.
D464,410 S * 10/2002 Paredes D23/290
D498,831 S * 11/2004 Bayer D23/290
D499,800 S 12/2004 Trepanier
7,039,966 B1 * 5/2006 Cranston, Jr. E03C 1/0401
4/695
D586,445 S * 2/2009 Ziemann D23/290
D655,798 S 3/2012 Miller et al.
D670,364 S 11/2012 Miller et al.
D680,632 S * 4/2013 Eilmus D23/290
D716,420 S * 10/2014 Bomatter D23/290
9,173,487 B2 11/2015 Booth et al.
D767,740 S * 9/2016 Lilly D23/290
10,125,481 B2 11/2018 Booth et al.
D835,762 S * 12/2018 Levi D23/290
10,151,085 B2 12/2018 Chong et al.

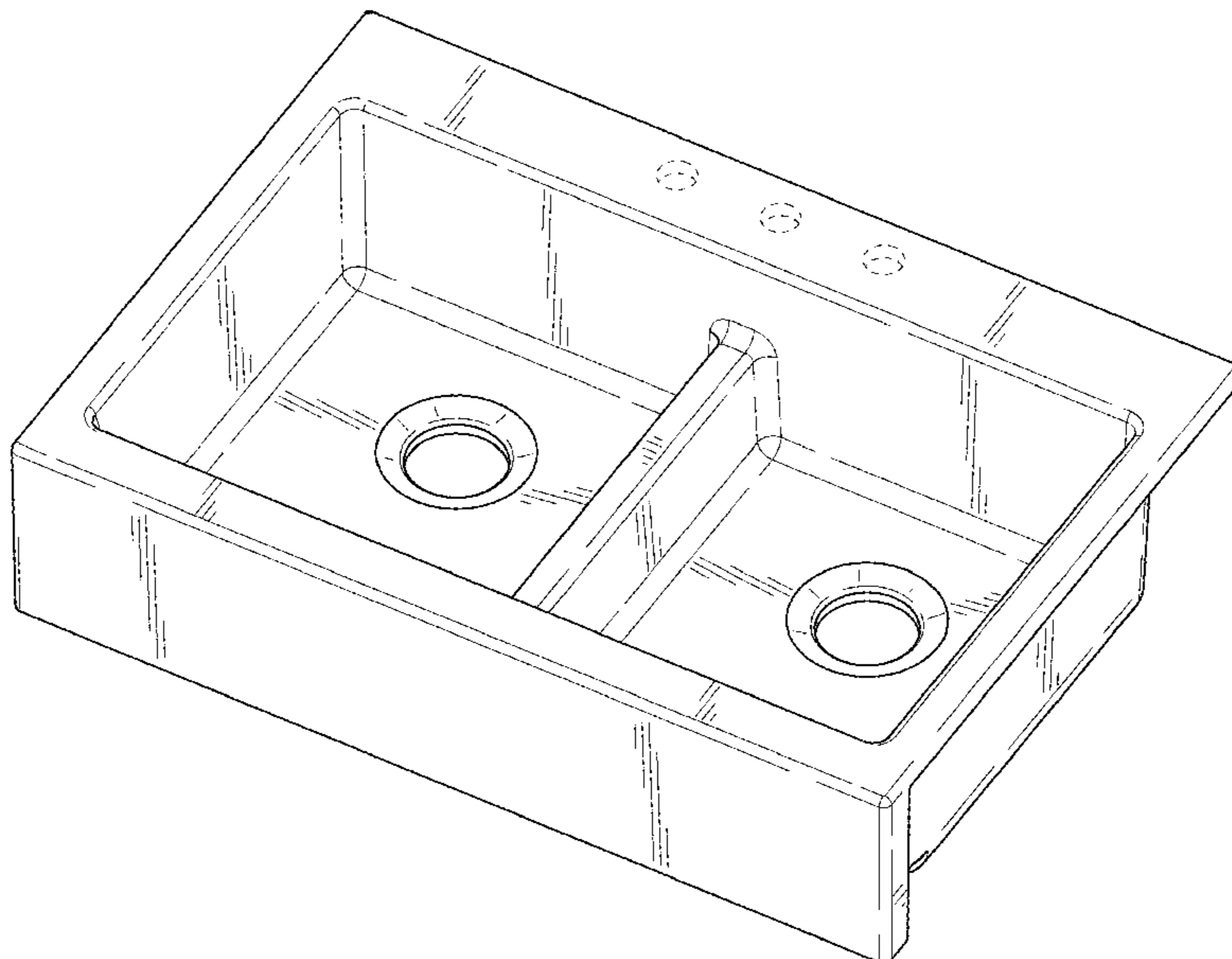
(57) **CLAIM**

I claim the ornamental design for a double basin sink, as shown and described.

DESCRIPTION

FIG. 1 is a top, front, right side perspective view of a double basin sink showing my new design;
FIG. 2 is a top, rear, left side perspective view thereof;
FIG. 3 is a top plan view thereof;
FIG. 4 is a bottom plan view thereof;
FIG. 5 is a front elevation view thereof;
FIG. 6 is a rear elevation view thereof;
FIG. 7 is a right side elevation view thereof; and,
FIG. 8 is a left side elevation view thereof.
The broken lines shown in the figures represent portions of the double basin sink that form no part of the claimed design.

1 Claim, 6 Drawing Sheets



(56)

References Cited

U.S. PATENT DOCUMENTS

D877,868 S * 3/2020 Schanzenbach D23/290
 D905,211 S 12/2020 Mei
 D918,352 S * 5/2021 Li D23/290
 D930,798 S 9/2021 Liang et al.
 D933,795 S * 10/2021 Osher D23/290
 D939,065 S 12/2021 Holzmann et al.
 D939,674 S 12/2021 Levi
 D945,575 S 3/2022 Levi
 D961,739 S 8/2022 Kuch et al.
 D961,741 S * 8/2022 Kuch D23/290
 2003/0204905 A1 * 11/2003 Ziemann E03C 1/18
 4/639
 2008/0148475 A1 * 6/2008 Lin A47L 17/02
 4/639
 2010/0077547 A1 * 4/2010 Tortorella E03C 1/18
 4/619
 2013/0263373 A1 * 10/2013 Miller E03C 1/18
 4/643
 2015/0230667 A1 * 8/2015 Palazzolo E03C 1/18
 4/654
 2015/0354188 A1 * 12/2015 Hocaoglu E03C 1/18
 4/633
 2017/0292256 A1 * 10/2017 Hocaoglu E03C 1/335
 2018/0187401 A1 7/2018 Chong et al.
 2018/0347164 A1 * 12/2018 Xu E03C 1/335
 2020/0102726 A1 4/2020 Miller
 2020/0102727 A1 4/2020 Li
 2021/0112978 A1 4/2021 Miller et al.
 2021/0332578 A1 10/2021 Miller et al.
 2022/0024082 A1 1/2022 Probst

FOREIGN PATENT DOCUMENTS

CA 142094 3/2014
 CA 147771 * 3/2014

CA 155819 * 8/2014
 CA 160163 * 8/2015
 WO D101433-001 6/2018

OTHER PUBLICATIONS

Karran Farmhouse Apron Front Quartz Composite 34 in. Double Bowl Kitchen Sink, announced Nov. 6, 2019[online], [site visited Oct. 5, 2022]. Available from internet, URL:<<https://www.amazon.com/Farmhouse-Quartz-Composite-Double-Kitchen/dp/B07GBC76SF>> (Year: 2019).*

The Ikea HAVSEN Apron Front Sink, posted Jan. 28, 2021 [online], [retrieved Oct. 5, 2022]. Retrieved from internet, <https://www.youtube.com/watch?v=9hgWUDokeZM> (on or around timestamp 2:38 into the video) (Year: 2021).*

Parker Quick-Fit Drop-in Farmhouse Fireclay 33.85 in. 3-Hole Double Bowl Kitchen Sink, announced Jun. 30, 2021[online], [site visited Oct. 5, 2022]. Available from internet, URL:<<https://www.amazon.com/Parker-Quick-Fit-Farmhouse-Fireclay-Kitchen/dp/B098BKZBTC>> (Year: 2021).*

33 Drop In Farmhouse Kitchen Sink, first available Sep. 7, 2022 [online], [site visited Sep. 7, 2022] . Available from internet, URL:<<https://www.amazon.com/dp/B08LR5249R?th=1>> (Year: 2021).

Elkay Quartz Classic ELG13322GY0 Dusk Gray Single Bowl Top Mount Sink, first available Apr. 22, 2015 [online], [site visited Sep. 7, 2022]. Available from internet, URL:<<https://www.amazon.com/Elkay-Quartz-Classic-ELG13322GYO-Single/dp/BOOVQKI7FS?th=1>> (Year: 2015).

Transolid, first available Jul. 10, 2018 [online], [site visited Sep. 8, 2022]. Available from internet, URL:<<https://www.amazon.com/dp/B07FDPFZBS>> (Year: 2018).

* cited by examiner

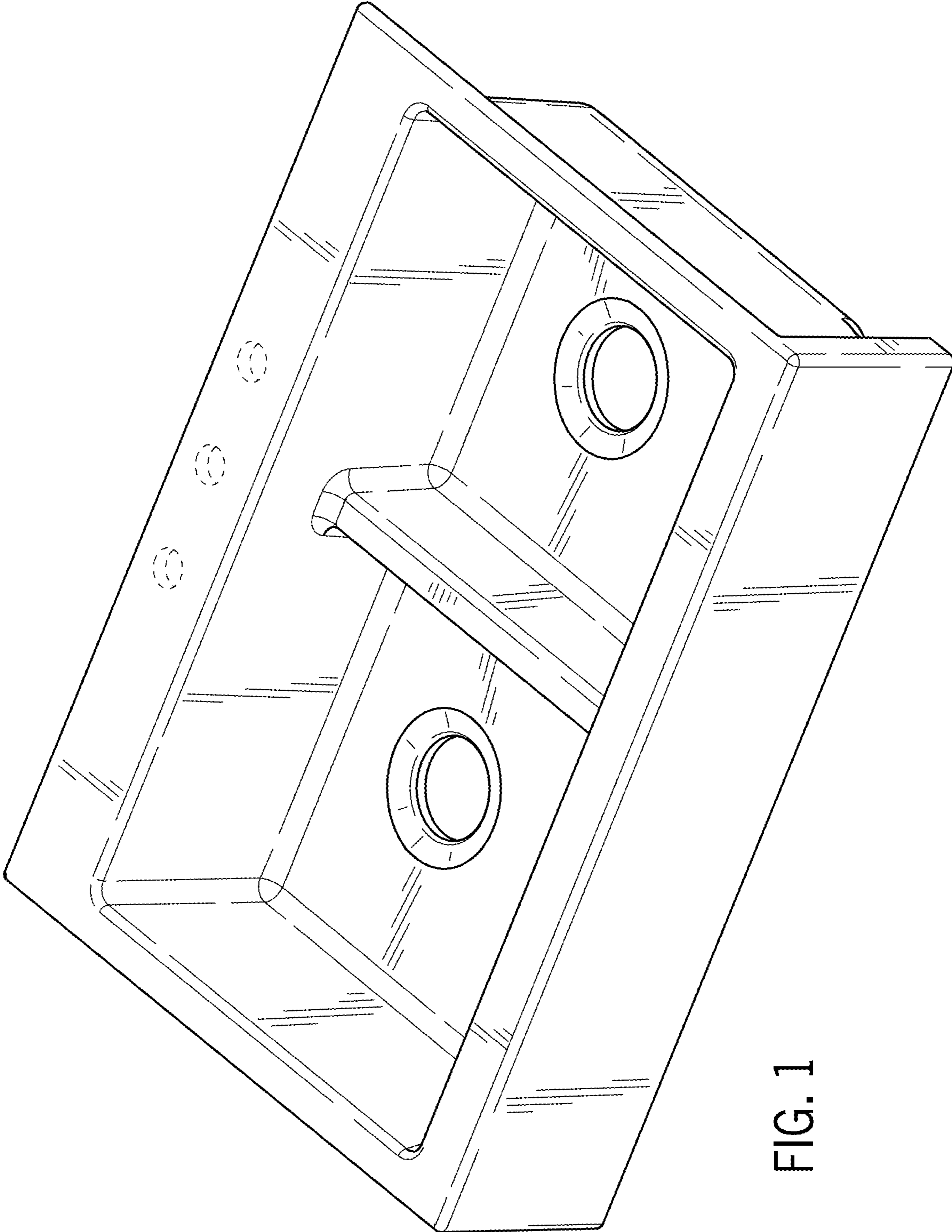


FIG. 1

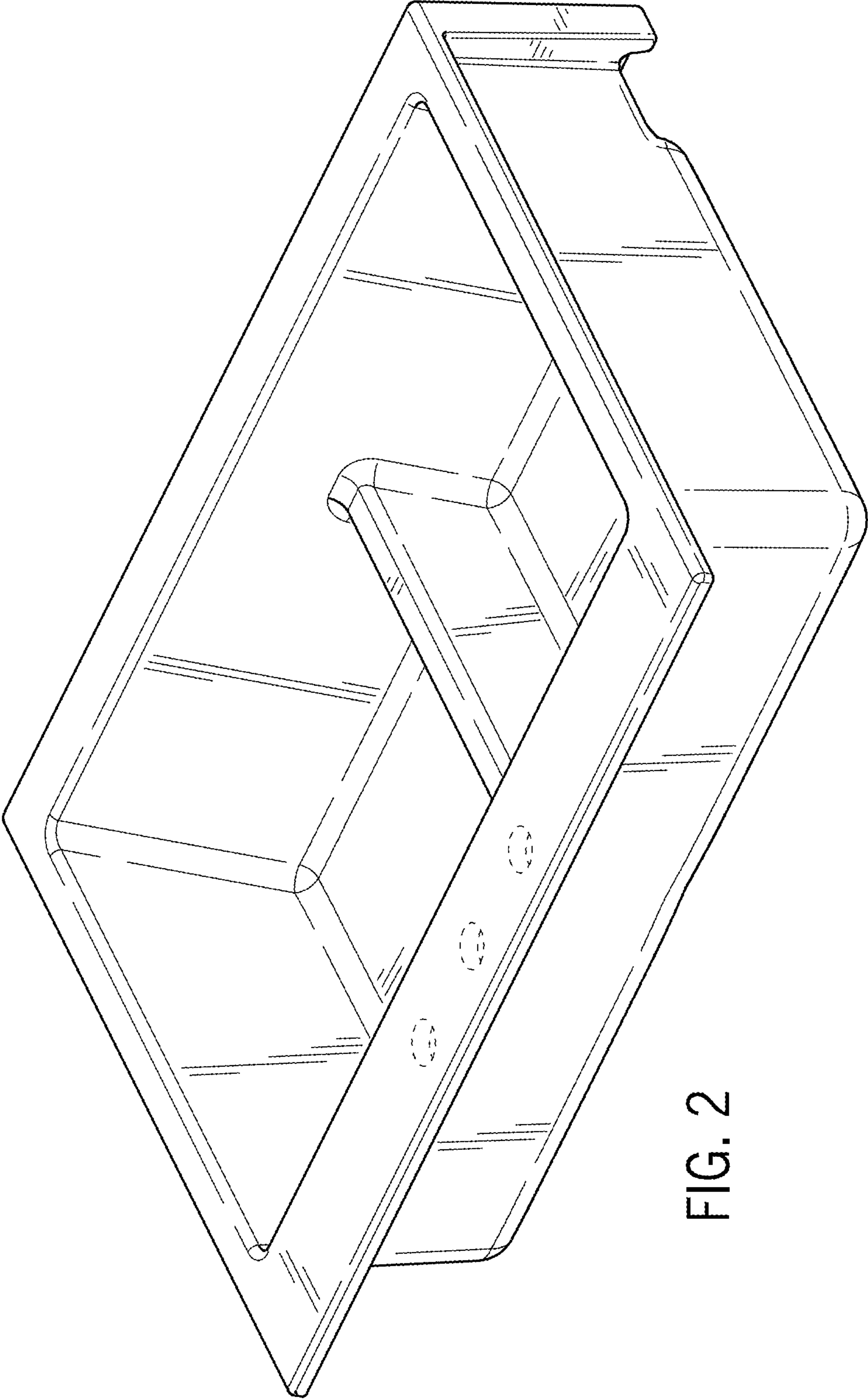


FIG. 2

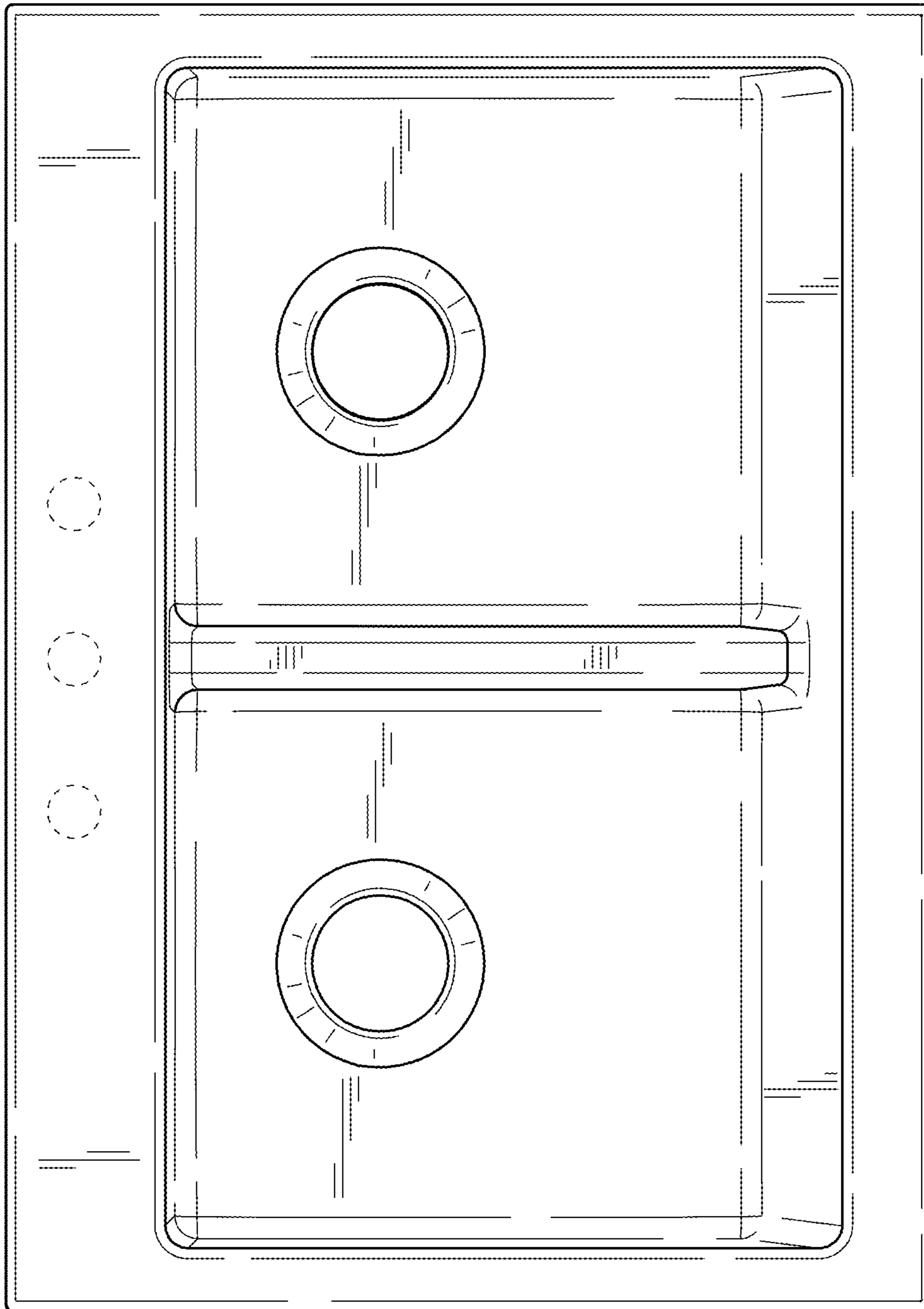


FIG. 3

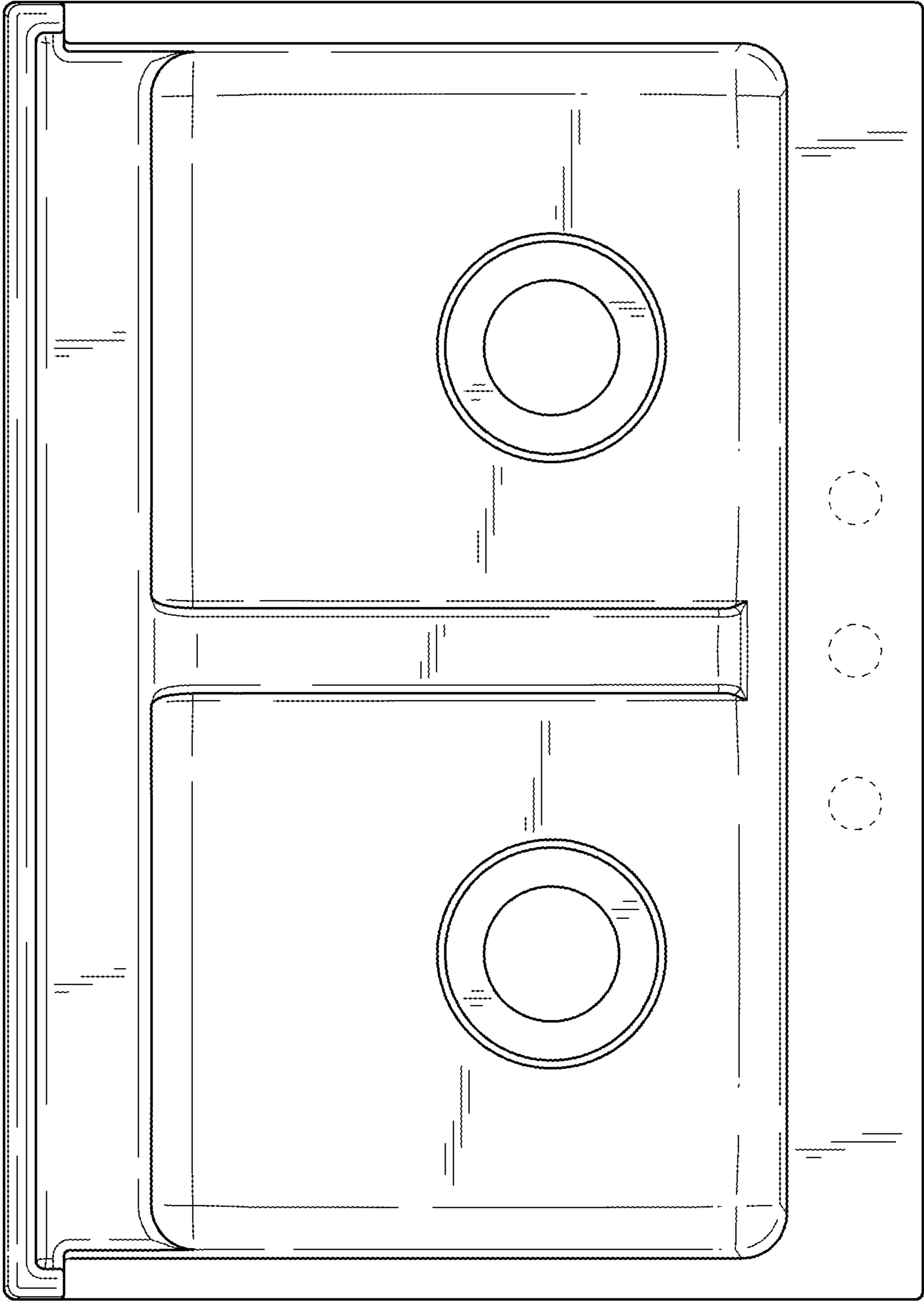


FIG. 4

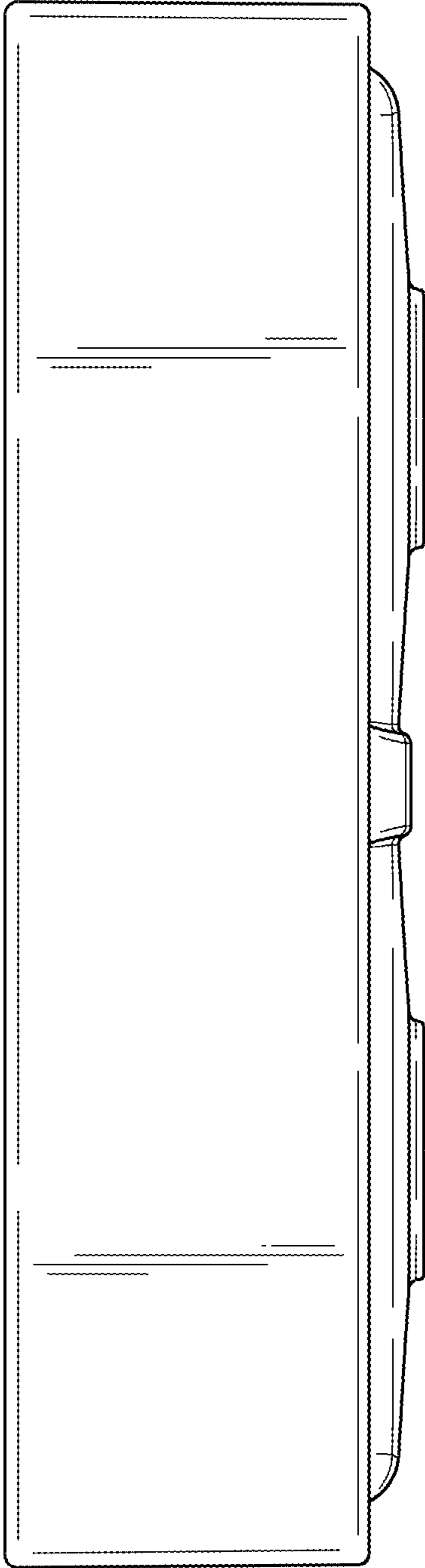


FIG. 5

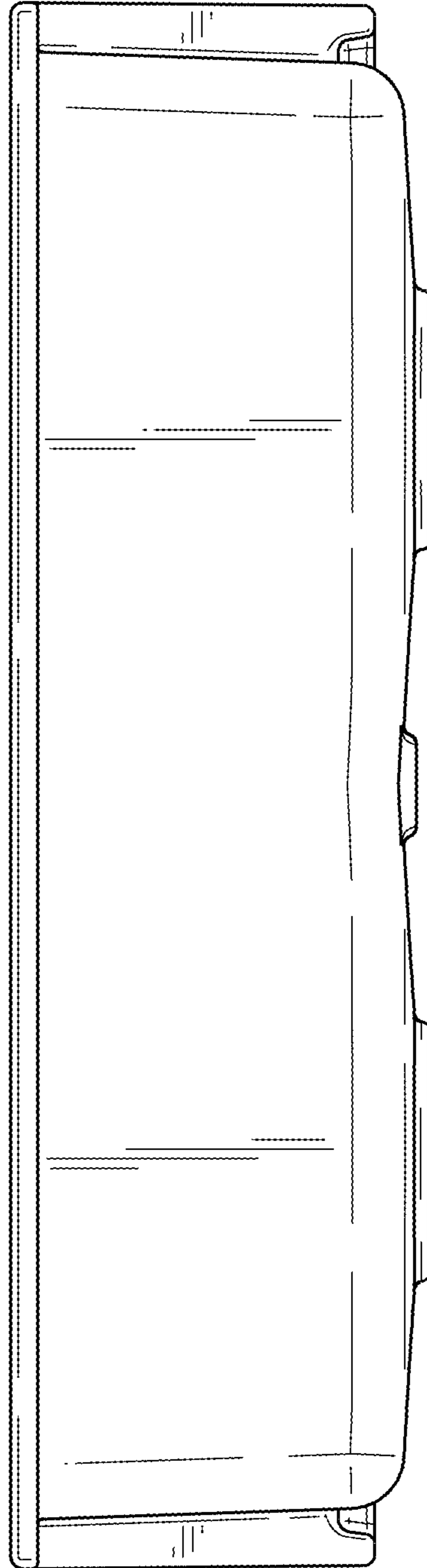


FIG. 6

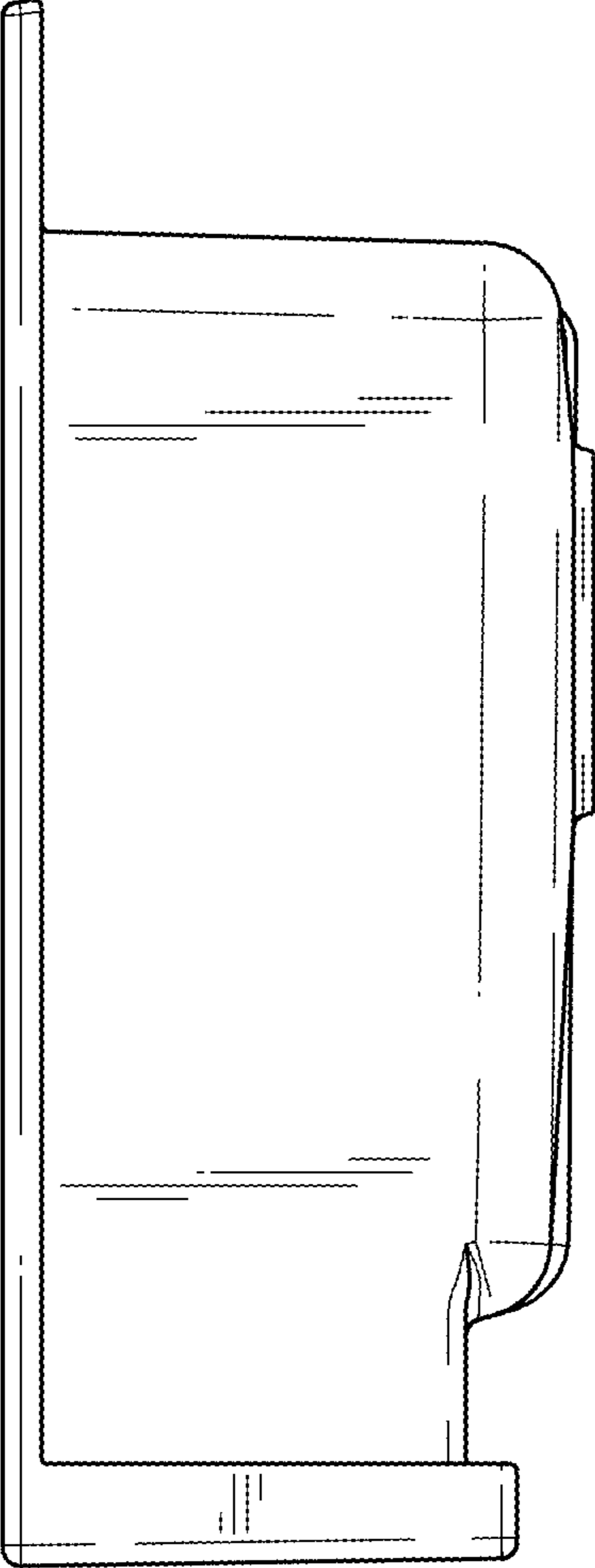


FIG. 7

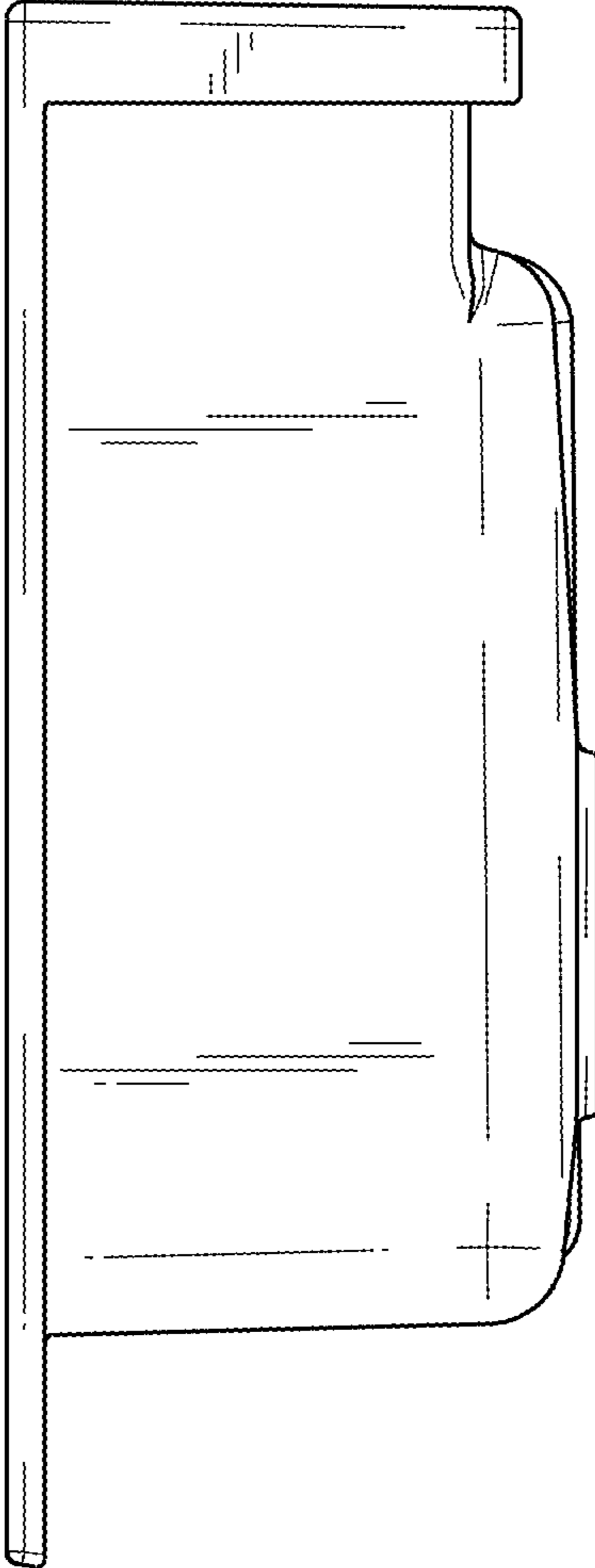


FIG. 8