



US00D975826S

(12) **United States Design Patent**
Seckiner

(10) **Patent No.:** **US D975,826 S**

(45) **Date of Patent:** **** Jan. 17, 2023**

(54) **SINGLE BASIN SINK**

D867,555 S * 11/2019 Huang D23/284
D869,618 S * 12/2019 Walther D23/284
D871,562 S 12/2019 Parekh

(Continued)

(71) Applicant: **Akgun Seckiner**, Alpharetta, GA (US)

(72) Inventor: **Akgun Seckiner**, Alpharetta, GA (US)

(**) Term: **15 Years**

CA 115233 5/2007
CA 149276 * 1/2014

(Continued)

(21) Appl. No.: **29/779,098**

FOREIGN PATENT DOCUMENTS

(22) Filed: **Apr. 16, 2021**

OTHER PUBLICATIONS

(51) **LOC (14) Cl.** **23-02**

(52) **U.S. Cl.**

USPC **D23/284**

(58) **Field of Classification Search**

USPC D23/284–286, 290, 293.1, 308, 499

CPC A47B 77/06; A47K 1/02; A47L 17/02;

E03C 1/14; E03C 1/18; E03C 1/182;

E03C 1/186

See application file for complete search history.

Elkay Quartz Classic ELG13322GY0 Dusk Gray Single Bowl Top Mount Sink, first available Apr. 22, 2015[online], [site visited Sep. 7, 2022]. Available from internet, URL:<<https://www.amazon.com/Elkay-Quartz-Classic-ELG13322GY0-Single/dp/B00VQKI7FS>> (Year: 2015).*

(Continued)

Primary Examiner — David G Muller

Assistant Examiner — Jamaal Rasheed

(74) *Attorney, Agent, or Firm* — Taylor English Duma

(56) **References Cited**

(57) **CLAIM**

U.S. PATENT DOCUMENTS

I claim the ornamental design for a single basin sink, as shown and described.

- D234,464 S 3/1975 Stairs
- D353,652 S * 12/1994 Dannenberg D23/290
- D358,457 S 5/1995 Dannenberg
- D451,585 S 12/2001 Svendsen et al.
- D464,410 S 10/2002 Paredes et al.
- D498,831 S 11/2004 Bayer et al.
- D499,800 S 12/2004 Trepanier
- 7,039,966 B1 5/2006 Cranston, Jr.
- D586,445 S 2/2009 Ziemann et al.
- D655,798 S * 3/2012 Miller D23/284
- D670,364 S 11/2012 Miller et al.
- D680,632 S 4/2013 Eilmus et al.
- D716,420 S 10/2014 Bomatter et al.
- 9,173,487 B2 11/2015 Booth et al.
- D767,740 S 9/2016 Lilly et al.
- 10,125,481 B2 11/2018 Booth et al.
- D835,762 S 12/2018 Levi
- 10,151,085 B2 * 12/2018 Chong A47K 1/04

DESCRIPTION

FIG. 1 is a top, front, right side perspective view of a single basin sink showing my new design;

FIG. 2 is a top, rear, left side perspective view thereof;

FIG. 3 is a top plan view thereof;

FIG. 4 is a bottom plan view thereof;

FIG. 5 is a front elevation view thereof;

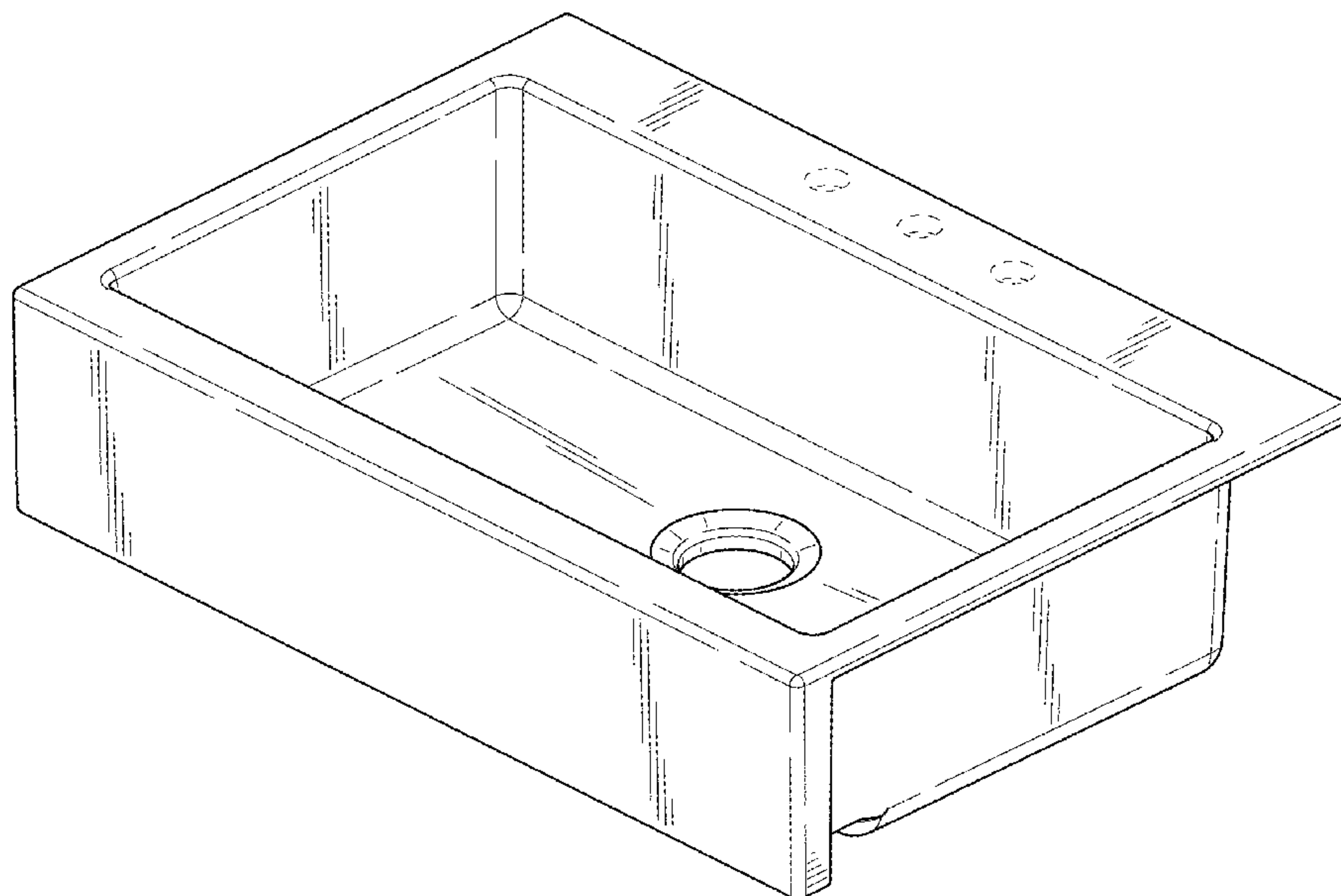
FIG. 6 is a rear elevation view thereof;

FIG. 7 is a right side elevation view thereof; and,

FIG. 8 is a left side elevation view thereof.

The broken lines shown in the figures represent portions of the single basin sink that form no part of the claimed design.

1 Claim, 6 Drawing Sheets



(56)

References Cited

U.S. PATENT DOCUMENTS

D877,868 S 3/2020 Schanzenbach et al.
 D905,211 S * 12/2020 Mei D23/284
 D918,352 S 5/2021 Li et al.
 D930,798 S * 9/2021 Liang D23/284
 D933,795 S 10/2021 Osher
 D939,065 S * 12/2021 Holzmann D23/284
 D939,674 S * 12/2021 Levi D23/284
 D945,575 S * 3/2022 Levi D23/284
 D961,739 S * 8/2022 Kuch D23/284
 D961,741 S 8/2022 Kuch et al.
 2003/0204905 A1 11/2003 Ziemann et al.
 2008/0148475 A1 6/2008 Lin
 2010/0077547 A1 4/2010 Tortorella
 2013/0263373 A1 10/2013 Miller et al.
 2015/0230667 A1 8/2015 Palazzolo et al.
 2015/0354188 A1 12/2015 Hocaoglu
 2017/0292256 A1 10/2017 Hocaoglu
 2018/0187401 A1 * 7/2018 Chong A47K 1/04
 2018/0347164 A1 12/2018 Xu
 2020/0102726 A1 * 4/2020 Miller E03C 1/33
 2020/0102727 A1 * 4/2020 Li E03C 1/335
 2021/0112978 A1 * 4/2021 Miller E03C 1/182
 2021/0332578 A1 * 10/2021 Miller E03C 1/18
 2022/0024082 A1 * 1/2022 Probst C08K 3/013

FOREIGN PATENT DOCUMENTS

CA 142094 * 3/2014
 CA 147771 3/2014

CA 155819 8/2014
 CA 160163 8/2015
 WO D101433-001 * 6/2018

OTHER PUBLICATIONS

33 Drop In Farmhouse Kitchen Sink , first available Sep. 7, 2022[online], [site visited Sep. 7, 2022]. Available from internet, URL:<<https://www.amazon.com/dp/B08LR5249R>> (Year: 2021).*

Transolid , first available Jul. 10, 2018[online], [site visited Sep. 8, 2022]. Available from internet, URL:<<https://www.amazon.com/dp/B07FDPFZBS>> (Year: 2018).*

Elkay Quartz Classic ELG3322BQ0 Equal Double Bowl Drop-in Sink, Bisque—Double Bowl Sinks, announced Sep. 15, 2008 [online], [site visited Sep. 7, 2022]. Available from internet, URL:<<https://www.amazon.com/dp/B001G4VU4O?th=1>> (Year: 2008).

Karran Farmhouse Apron Front Quartz Composite 34 in. Double Bowl Kitchen Sink, announced Nov. 6, 2019 [online], [site visited Oct. 5, 2022]. Available from internet, URL:<<https://www.amazon.com/Farmhouse-Quartz-Composite-Double-Kitchen/dp/B07GBC76SF>> (Year: 2019).

Parker Quick-Fit Drop-in Farmhouse Fireclay 33.85 in. 3-Hole Double Bowl Kitchen Sink with Drains, announced Jun. 30, 2021 [online], [site visited Oct. 5, 2022], Available from internet, URL:<<https://www.amazon.com/Parker-Quick-Fit-Farmhouse-Fireclay-Kitchen/dp/B098BKZBTC>> (Year: 2021).

The Ikea Havsen Apron Front Sink, posted Jan. 28, 2021 [online], [retrieved Oct. 5, 2022]. Retrieved from internet, <https://www.youtube.com/watch?v=9hgWUDokeZM> (on or around timestamp 2:38 into the video) (Year: 2021).

* cited by examiner

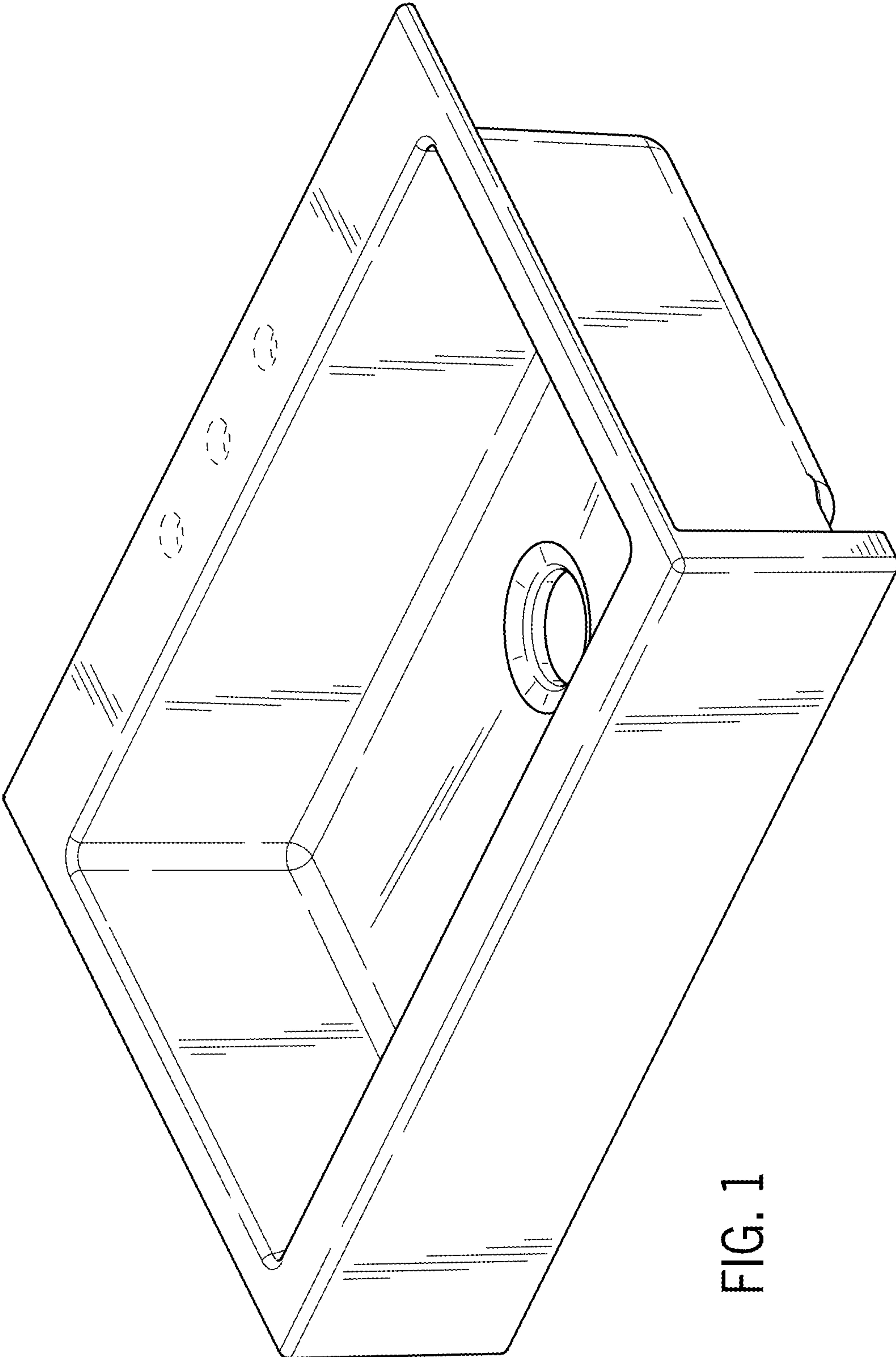


FIG. 1

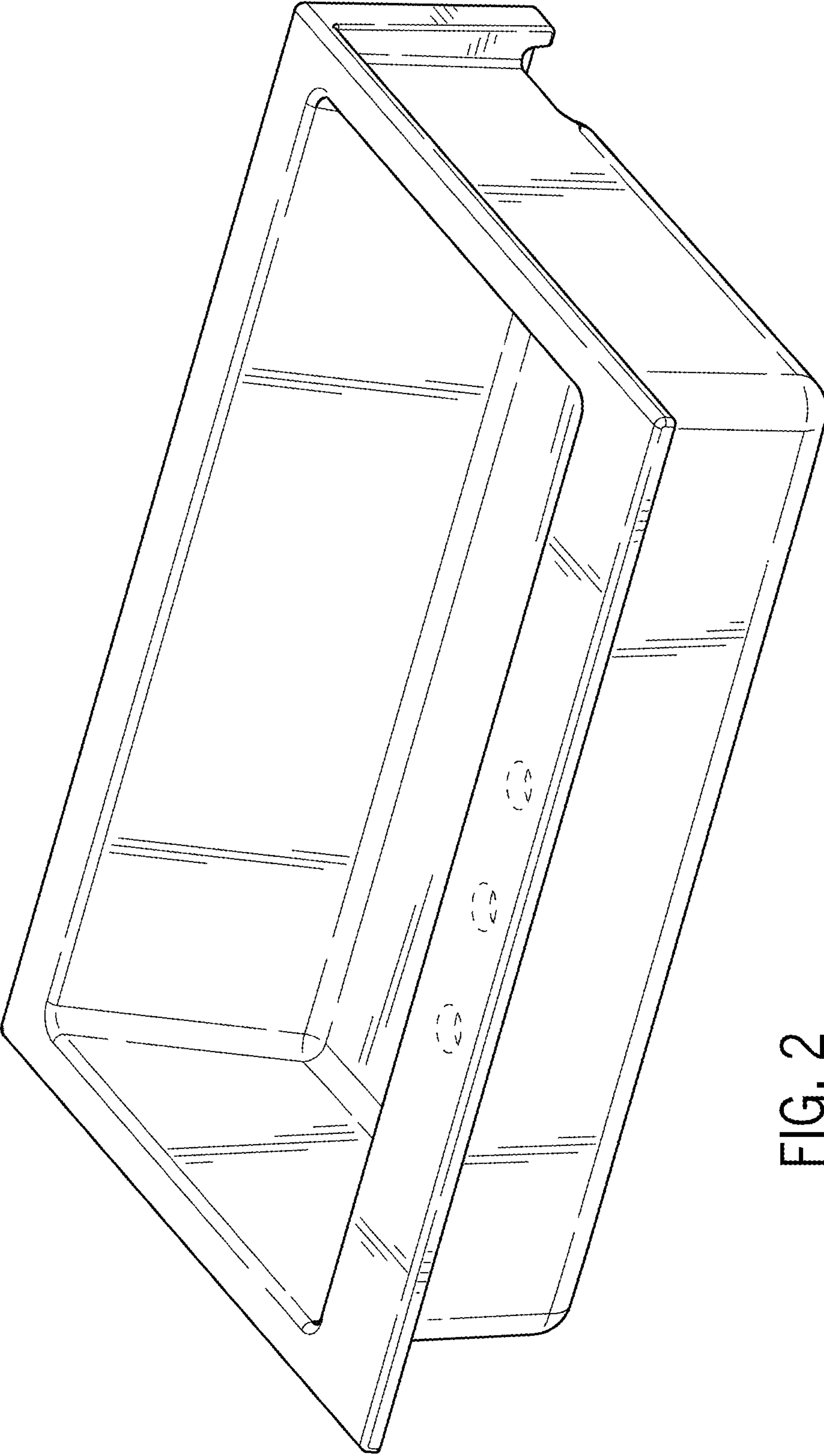


FIG. 2

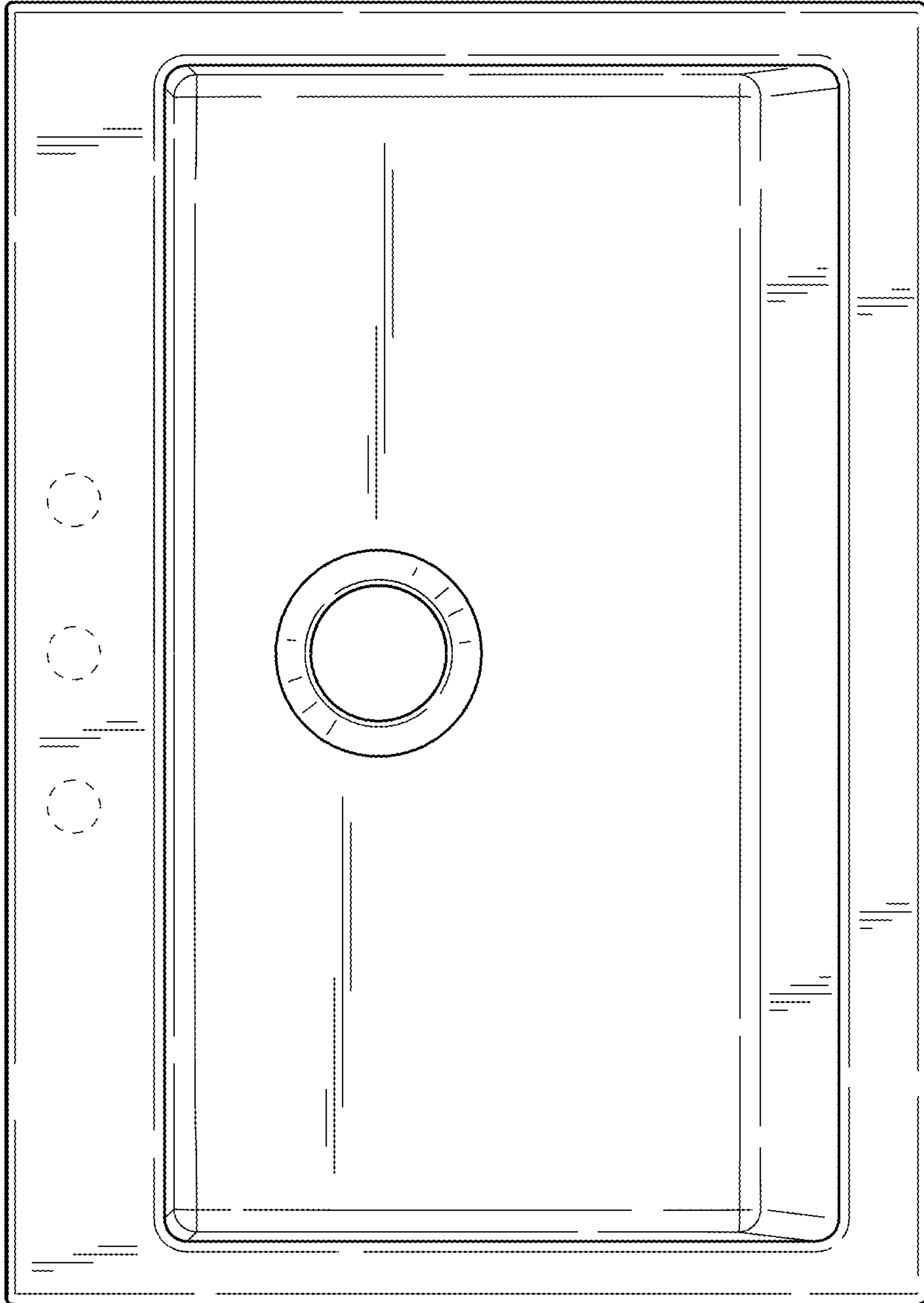


FIG. 3

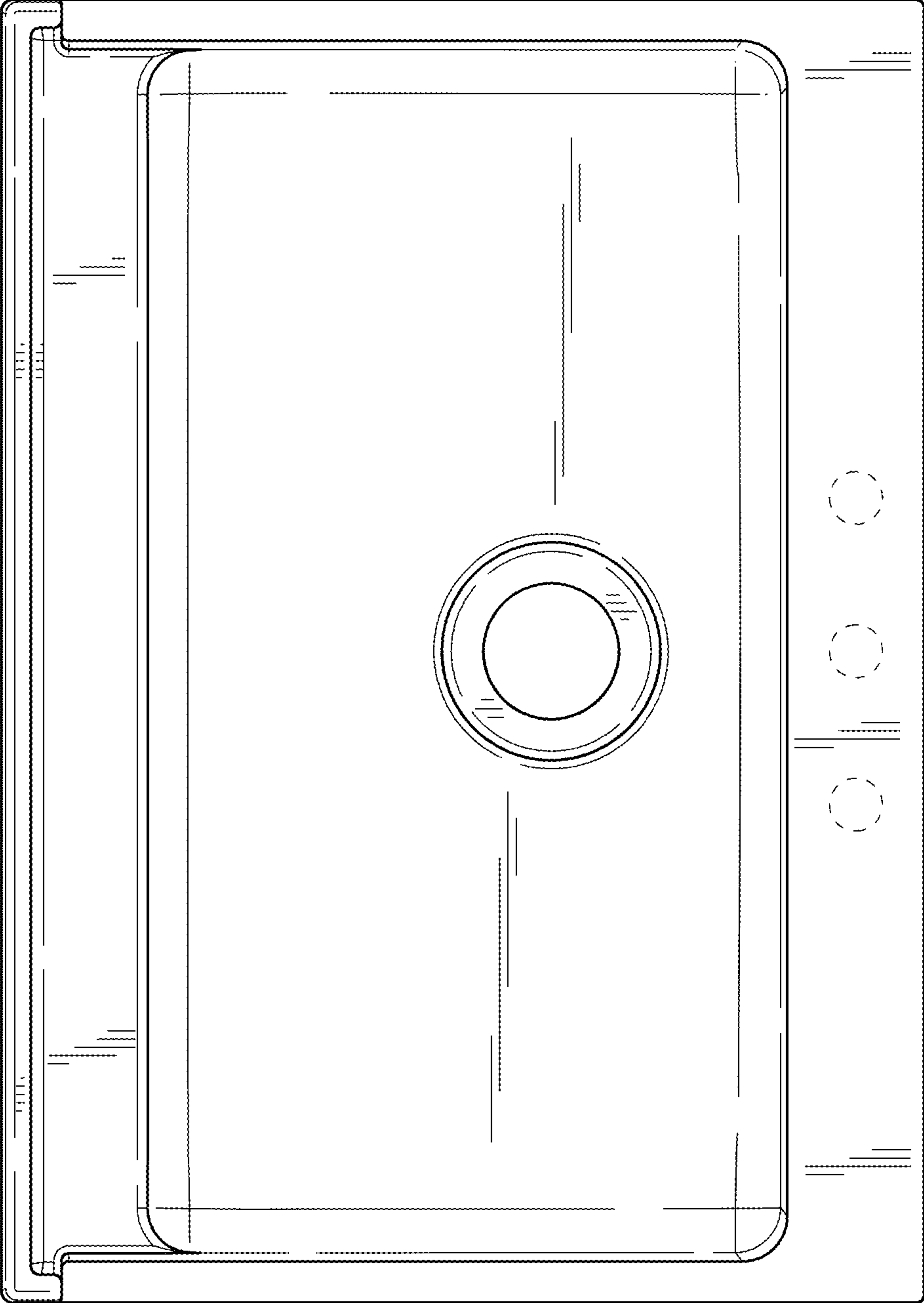


FIG. 4

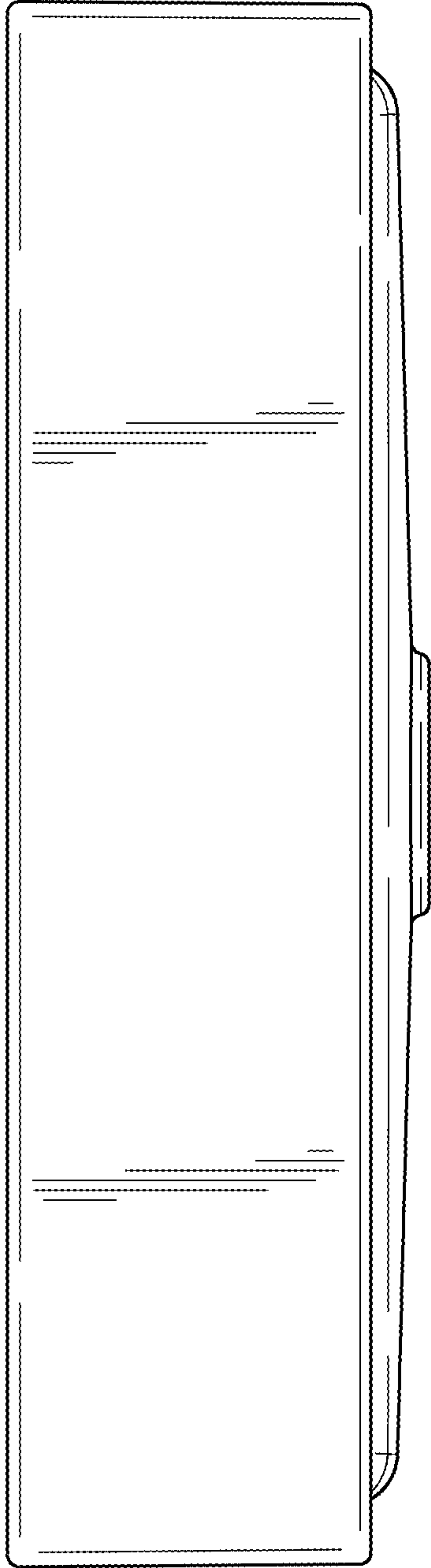


FIG. 5

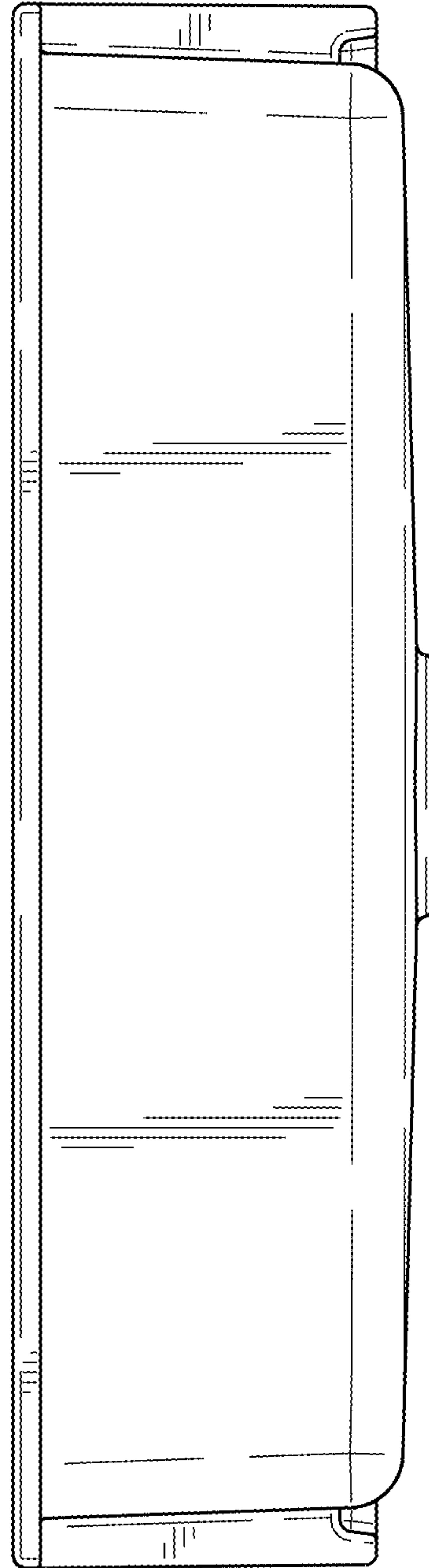


FIG. 6

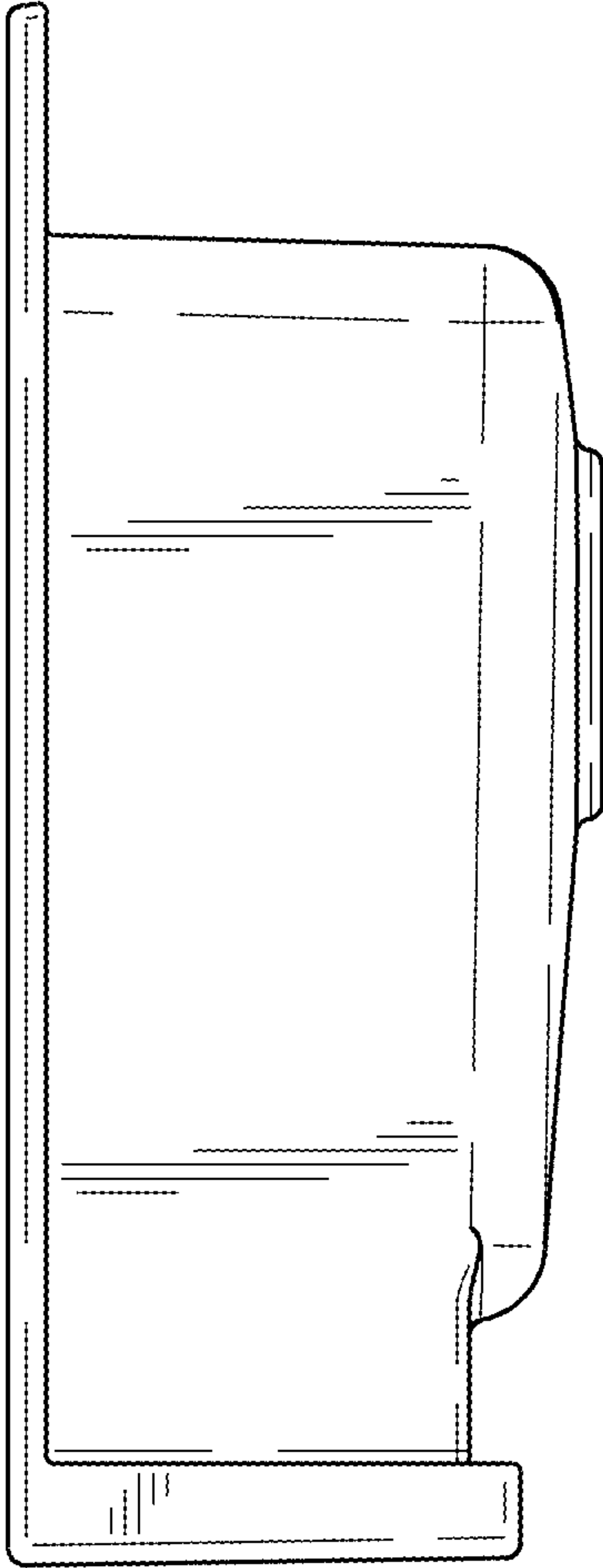


FIG. 7

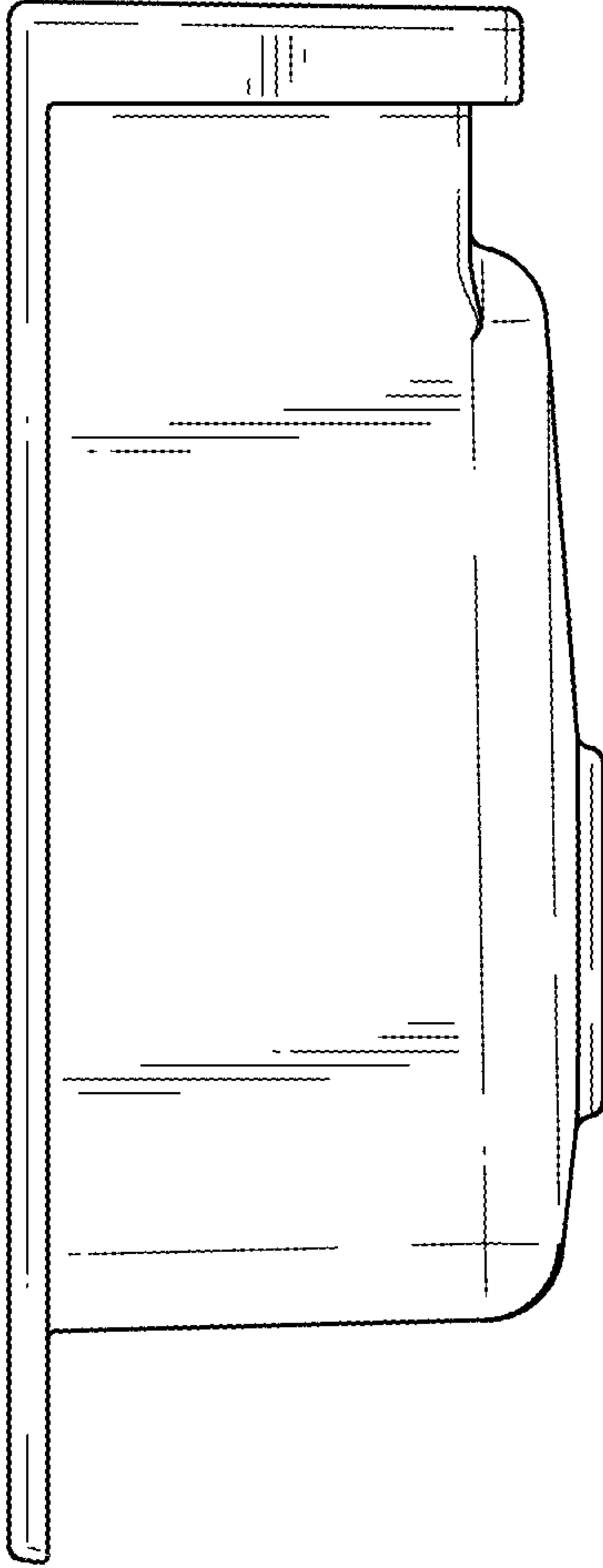


FIG. 8