



US00D975825S

(12) **United States Design Patent**
Yin

(10) **Patent No.:** **US D975,825 S**
(45) **Date of Patent:** **** Jan. 17, 2023**

(54) **DOWNSPOUT DIVERTER**

(71) Applicant: **Shenzhen Aichong Industry Co., Ltd,**
Shenzhen (CN)

(72) Inventor: **Aicheng Yin,** Changning (CN)

(**) Term: **15 Years**

(21) Appl. No.: **29/857,635**

(22) Filed: **Oct. 24, 2022**

(51) **LOC (14) Cl.** **23-01**

(52) **U.S. Cl.**
USPC **D23/267**

(58) **Field of Classification Search**
USPC D23/259, 267; D25/119
See application file for complete search history.

(56) **References Cited**

U.S. PATENT DOCUMENTS

- D252,702 S * 8/1979 Armistead D23/259
- 4,182,376 A * 1/1980 Nilsson F16L 47/32
137/561 A
- D288,230 S * 2/1987 Thatcher D23/263
- D292,934 S * 11/1987 Alberico D23/259
- D354,552 S * 1/1995 Weber D23/261
- D379,850 S * 6/1997 Nelson D23/259
- 5,709,051 A * 1/1998 Mazziotti E04D 13/08
52/12
- 6,024,127 A * 2/2000 Johnson E04D 13/08
52/16
- D447,543 S * 9/2001 Quin D23/259
- D616,970 S * 6/2010 Block D23/267
- 8,033,058 B2 * 10/2011 Block E04D 13/08
52/12
- D676,532 S * 2/2013 Meert D23/259
- 8,528,263 B2 * 9/2013 Schmidt E04D 13/08
52/16
- D779,642 S * 2/2017 Tesh D23/267
- D882,046 S * 4/2020 Schreiber D23/259

- D896,350 S * 9/2020 Warner D23/259
- 2011/0041416 A1 2/2011 Schmidt et al.
- 2011/0232766 A1* 9/2011 Bell E04D 13/08
52/16

(Continued)

FOREIGN PATENT DOCUMENTS

- GB 4021277 * 9/2011
- NZ 422524-0001 * 6/2017

OTHER PUBLICATIONS

Downspout Rainwater Collection Diverter Connector System Col-
ander with Filter; Earliest Review Jul. 31, 2022, visited Online Nov.
22, 2022; https://www.amazon.com/Downspout-Rainwater-Collection-Diverter-Connector/dp/B09YFQHTYK/ref=psdc_3238155011_t4_B06XB2RFMB?th=1 (Year: 2022).*

(Continued)

Primary Examiner — Amy C Wierenga
(74) *Attorney, Agent, or Firm* — Daniel M. Cohn;
Howard M. Cohn

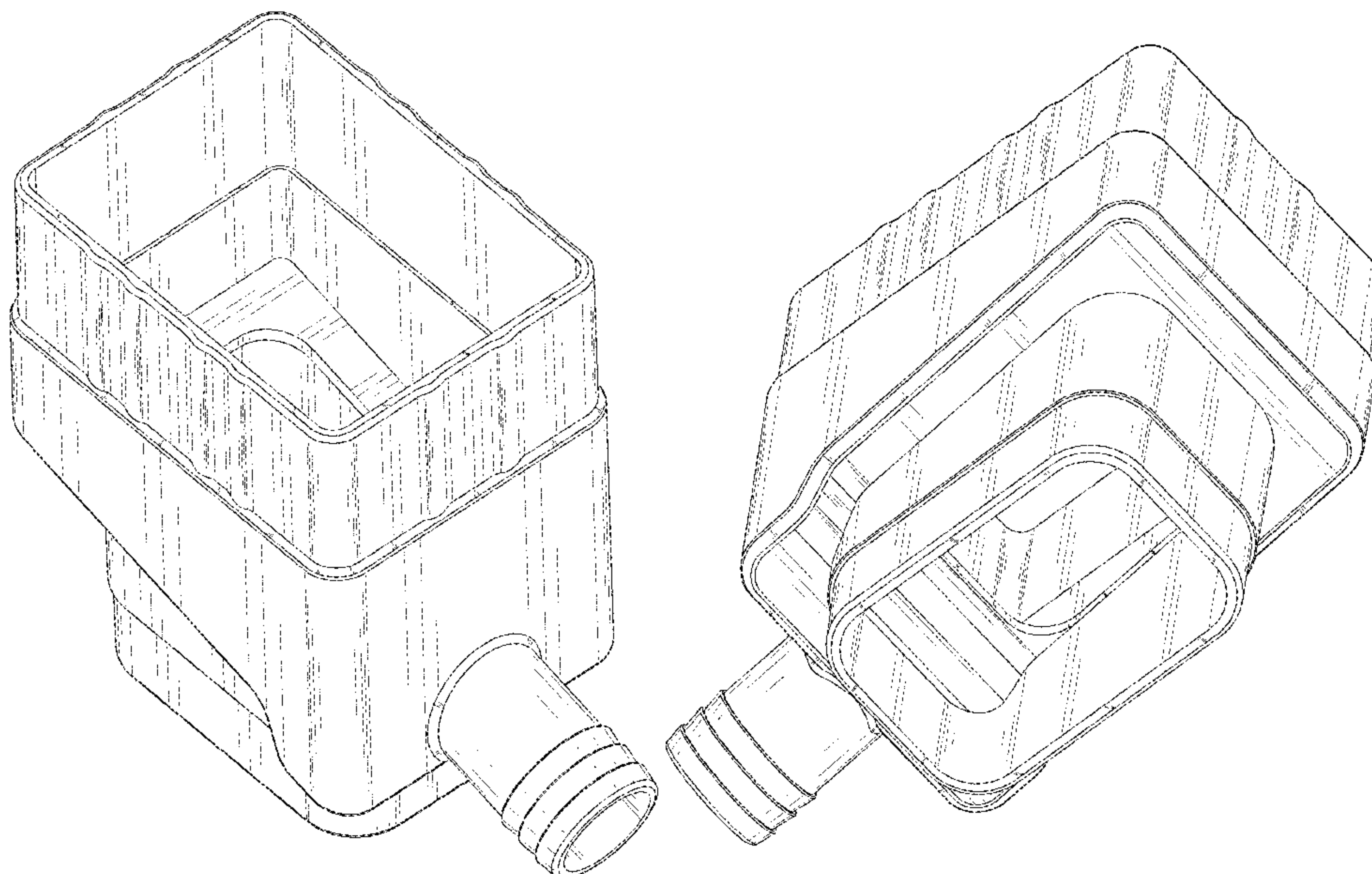
(57) **CLAIM**

The ornamental design for a downspout diverter, as shown
and described.

DESCRIPTION

FIG. 1 is a perspective view of a downspout diverter
showing my new design;
FIG. 2 is another perspective view thereof;
FIG. 3 is a front view thereof;
FIG. 4 is a back view thereof;
FIG. 5 is a left view thereof;
FIG. 6 is a right view thereof;
FIG. 7 is a top plan view thereof; and,
FIG. 8 is a bottom plan view of a downspout diverter as
shown.

1 Claim, 8 Drawing Sheets



(56)

References Cited

U.S. PATENT DOCUMENTS

2016/0033048 A1* 2/2016 Noah F16K 11/0525
137/625.45
2017/0002550 A1 1/2017 Johnson

OTHER PUBLICATIONS

Oatey Mystic Rainwater Collection System; Review Date Aug. 19, 2017, Visited Online Nov. 22, 2022; https://www.amazon.com/Oatey-Rainwater-Collection-Residential-Downspouts/dp/B003E1RJVU/ref=psdc_3238155011_t3_B06XB2RFMB?th=1 (Year: 2017).*

* cited by examiner

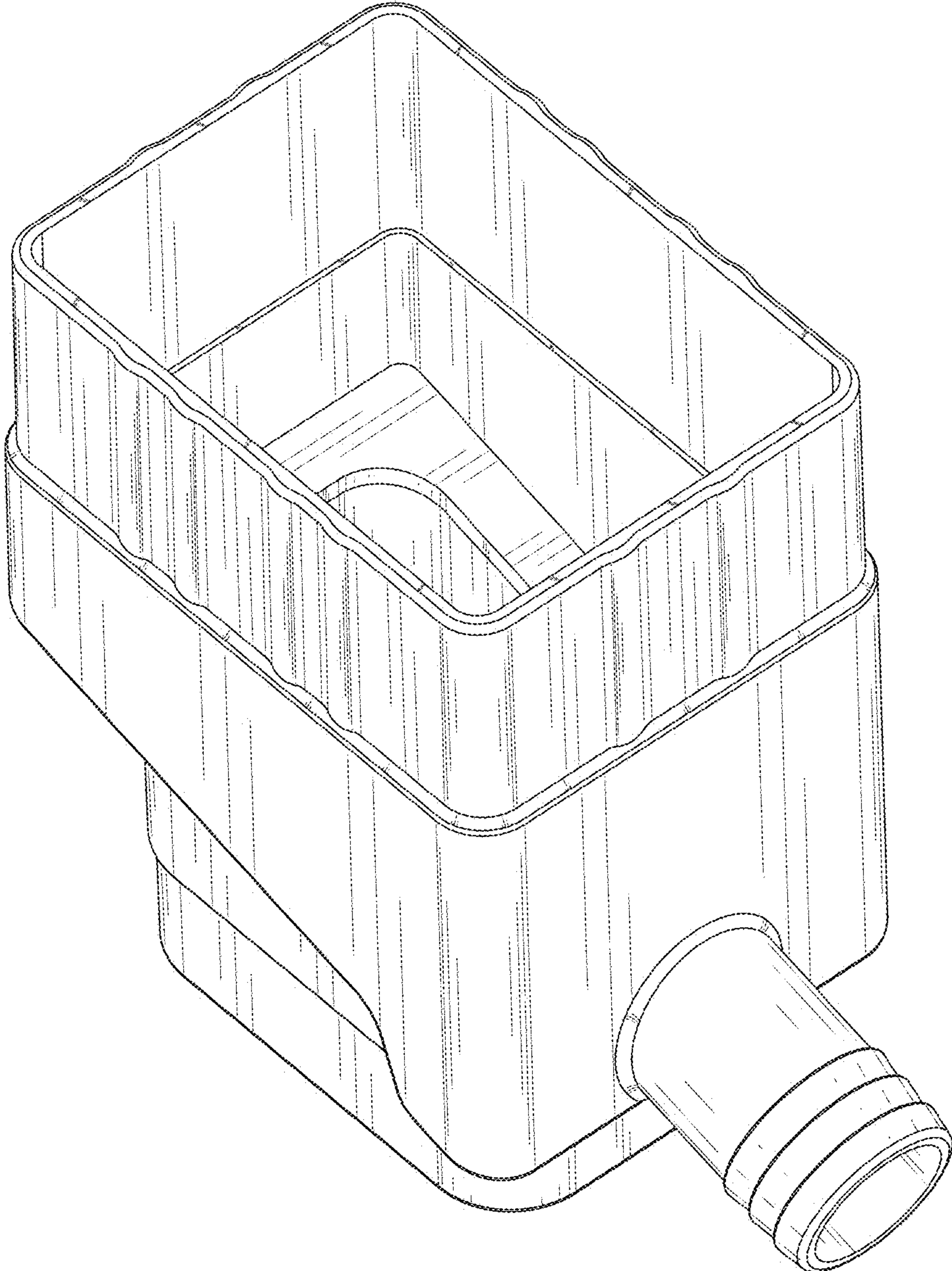


FIG. 1

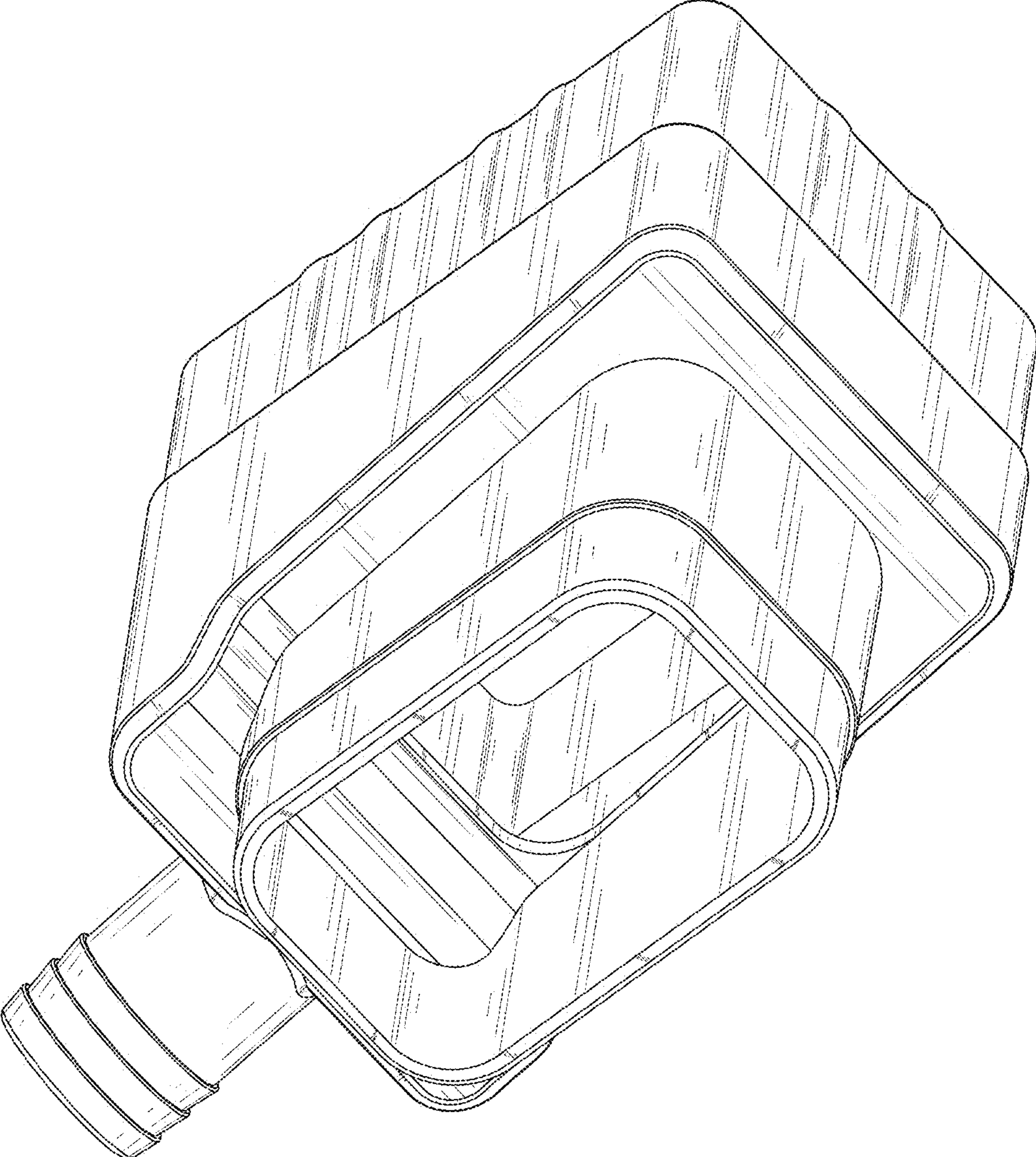


FIG.2

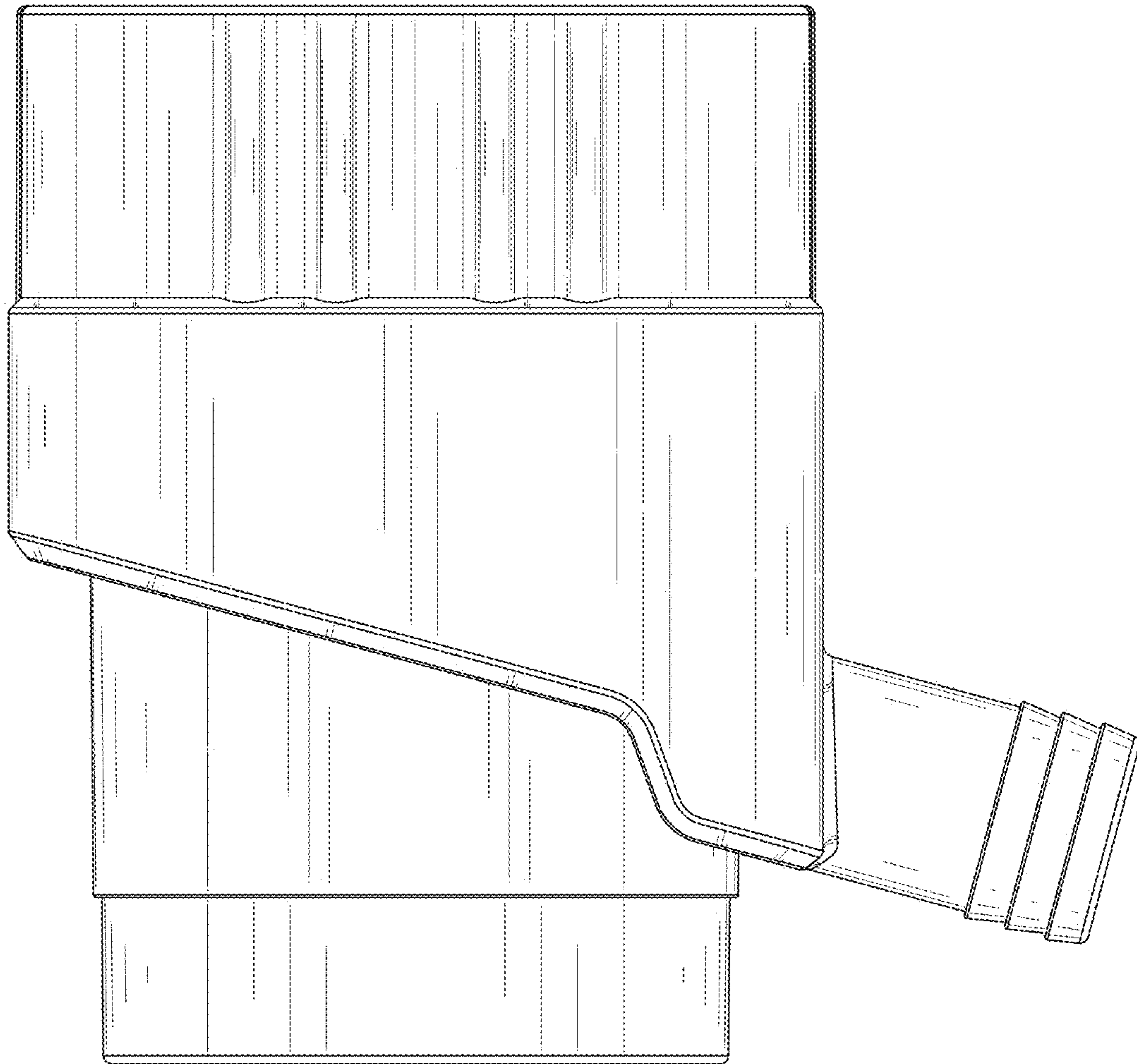


FIG.3

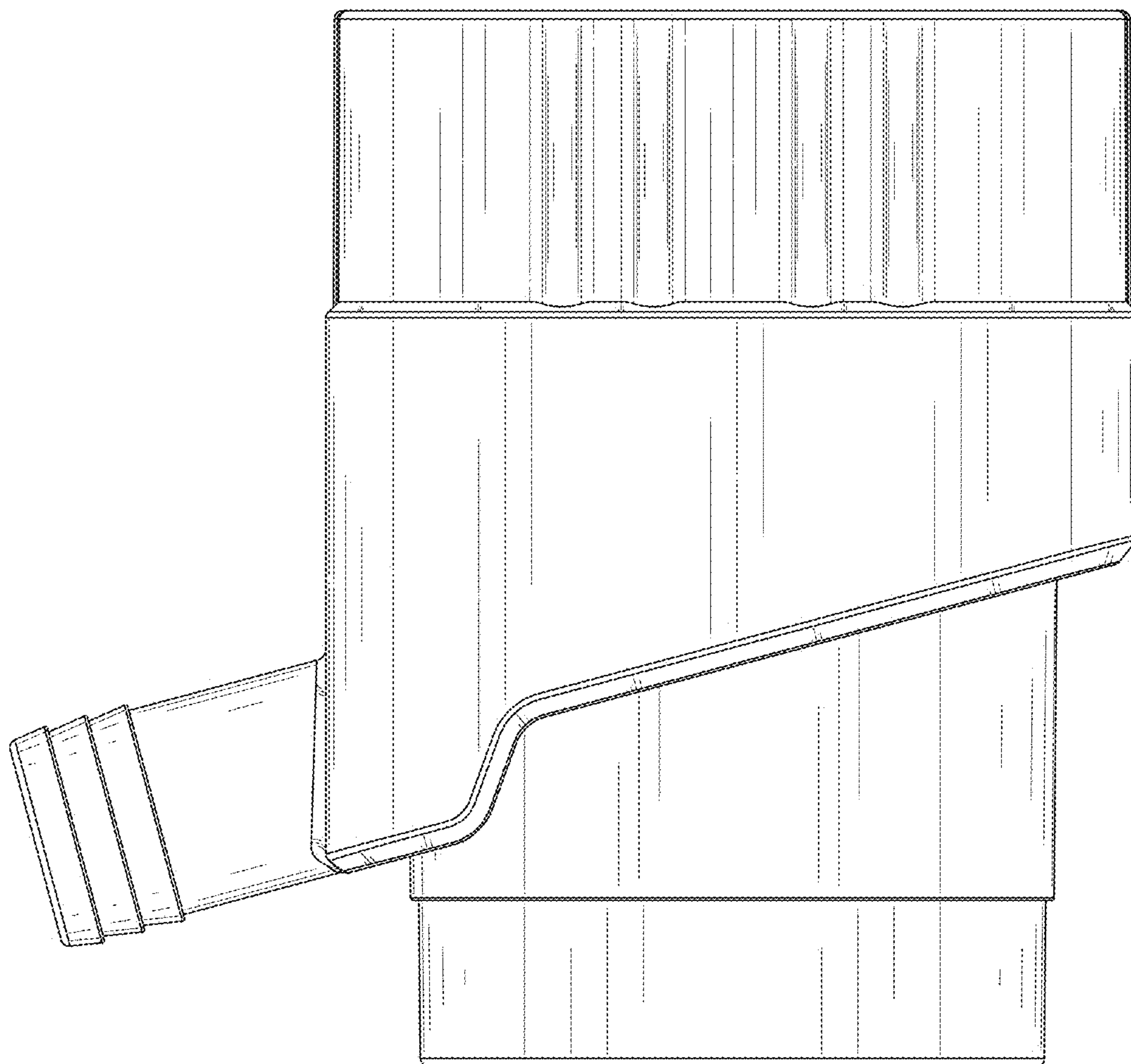


FIG.4

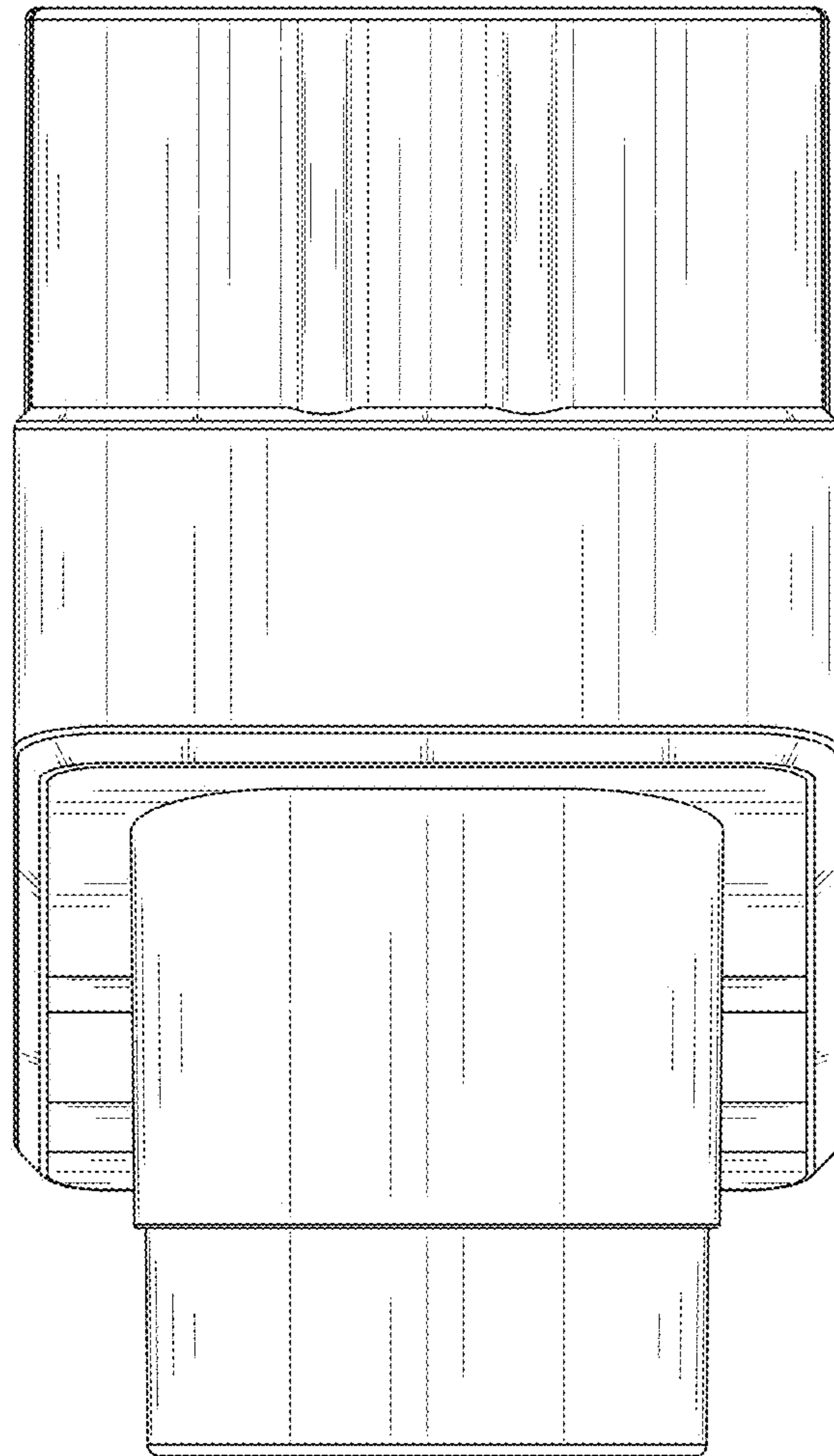


FIG. 5

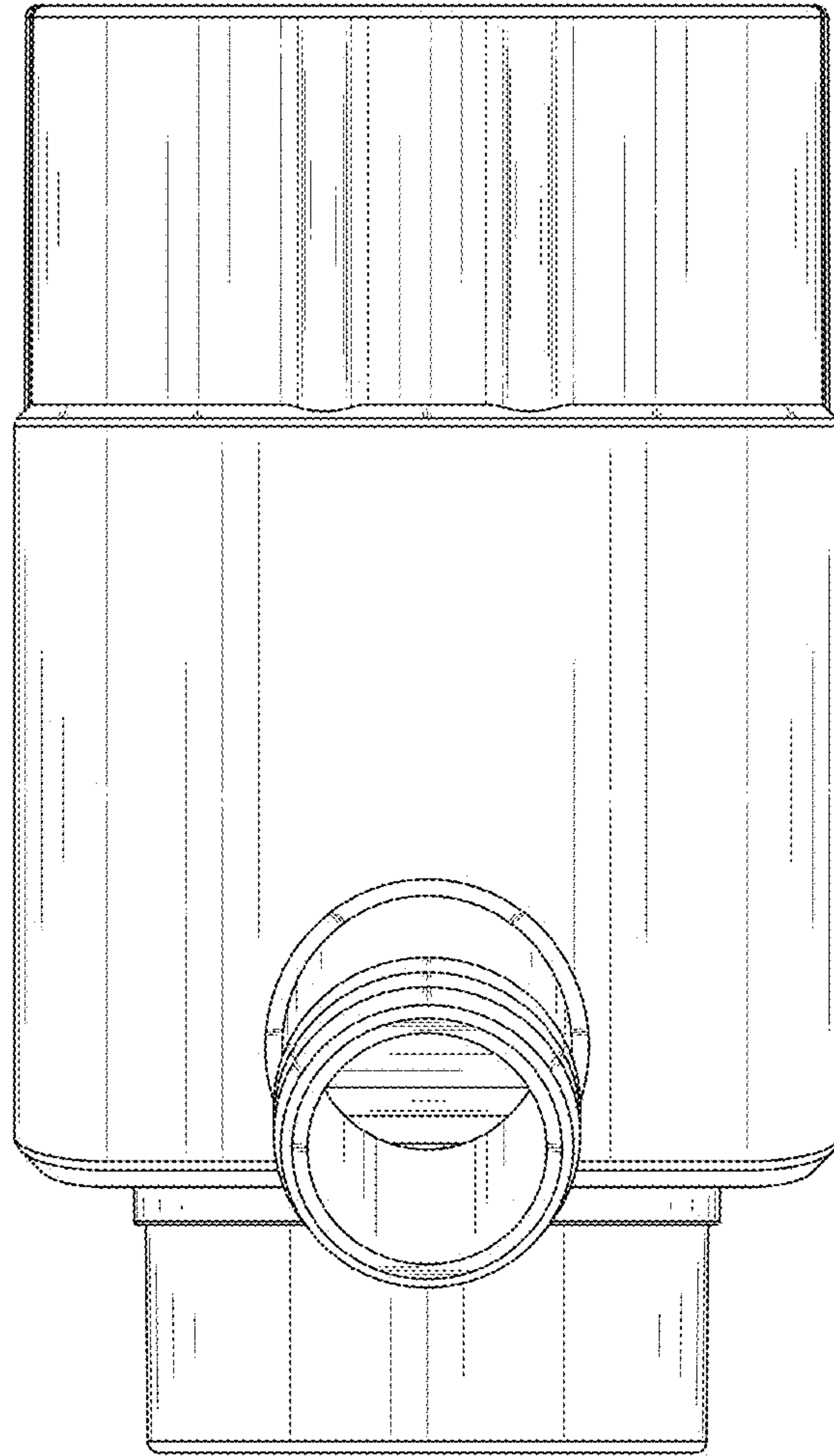


FIG.6

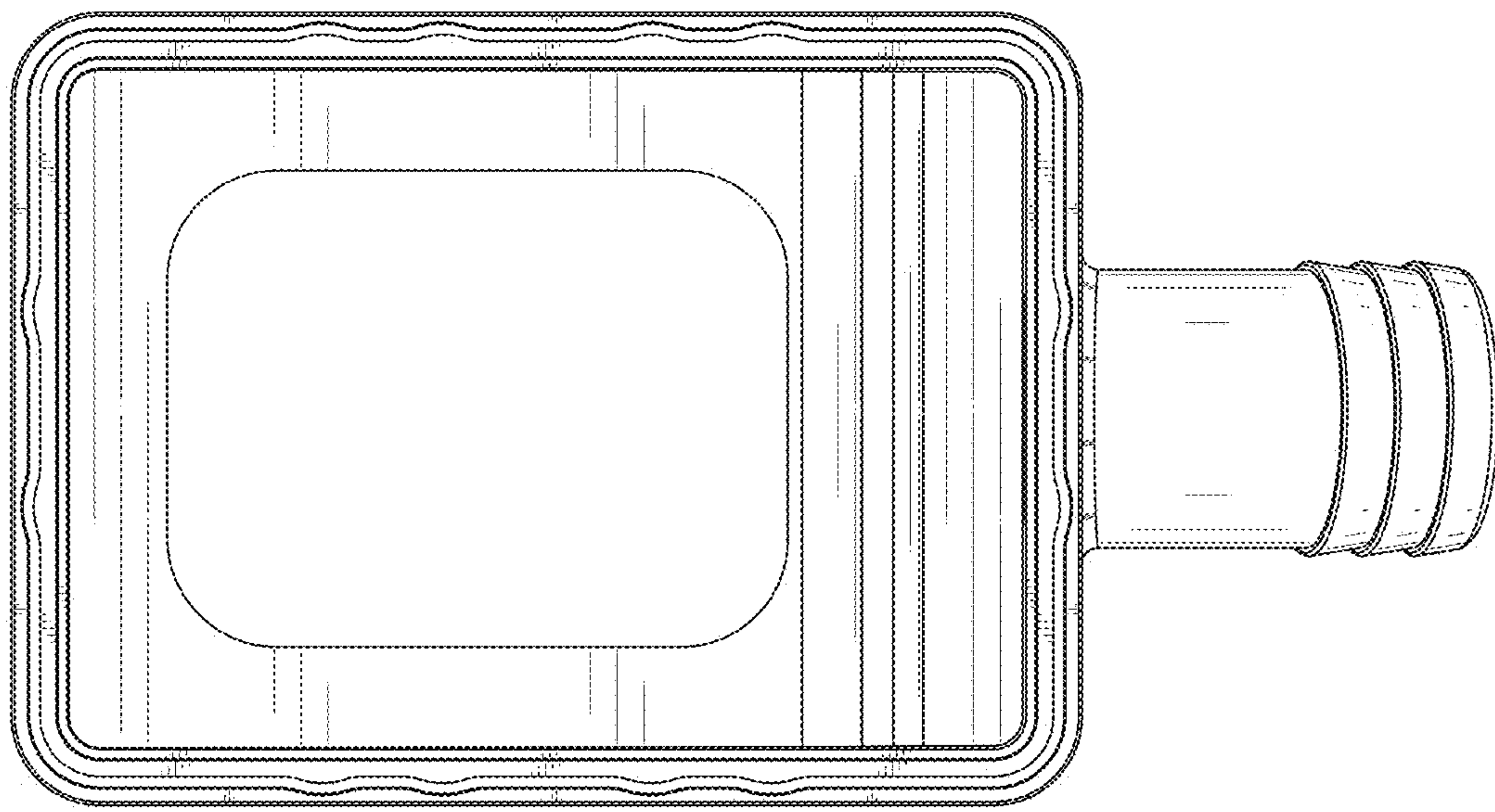


FIG.7

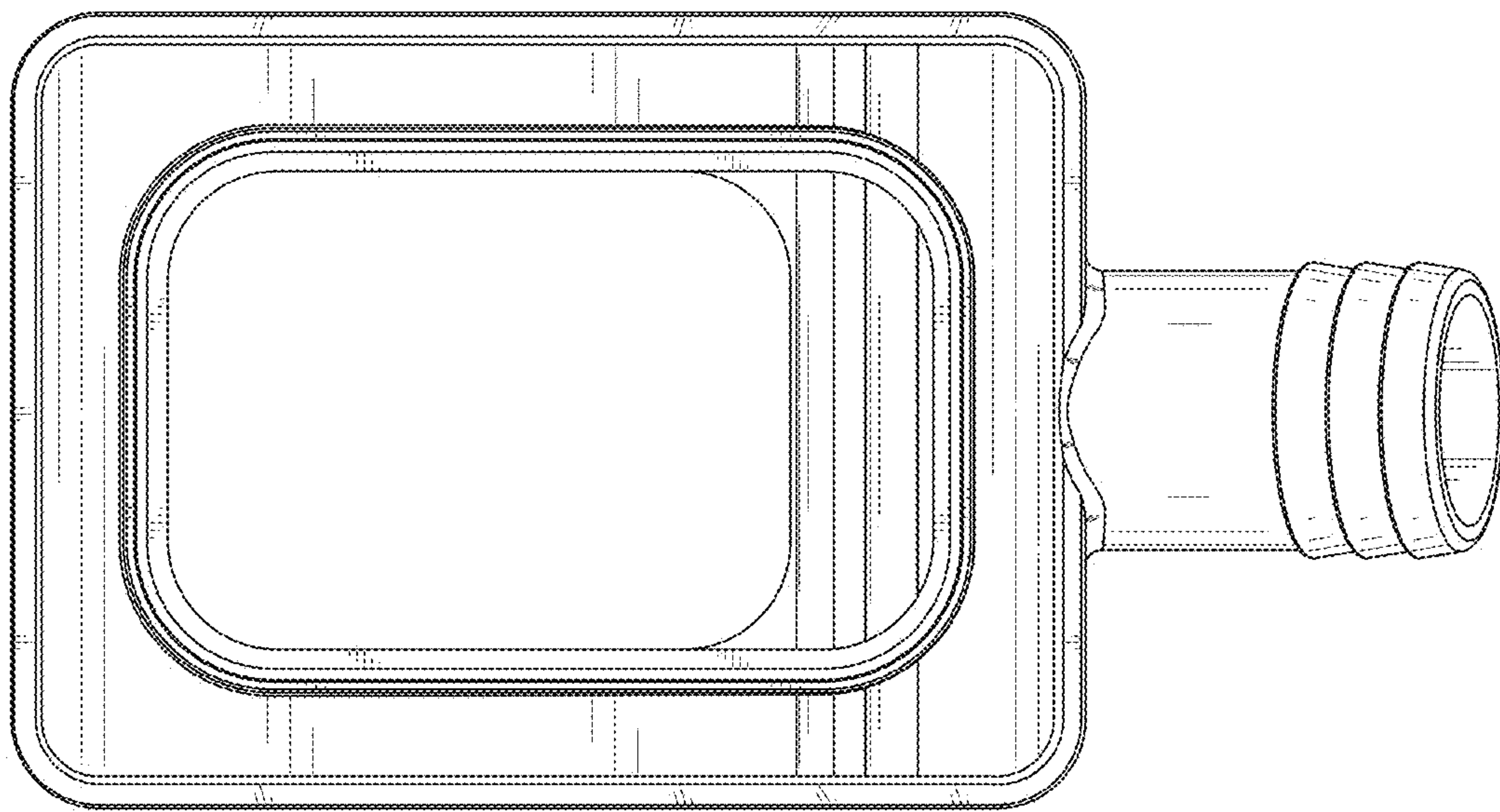


FIG. 8