



US00D975824S

(12) **United States Design Patent**
Feng

(10) **Patent No.:** **US D975,824 S**

(45) **Date of Patent:** **** Jan. 17, 2023**

(54) **FAUCET**

(71) Applicant: **Lijun Feng**, Suzhou (CN)

(72) Inventor: **Lijun Feng**, Suzhou (CN)

(**) Term: **15 Years**

(21) Appl. No.: **29/865,672**

(22) Filed: **Aug. 7, 2022**

(51) **LOC (14) Cl.** **23-01**

(52) **U.S. Cl.**
USPC **D23/238**

(58) **Field of Classification Search**
USPC D23/213, 214, 215, 223, 224, 226, 229,
D23/230, 238

CPC A61H 9/0021; A61H 33/00; B05B 1/00;
B05B 1/14; B05B 1/185; B05B 1/08;
B05B 1/02; B05B 1/26; B05B 12/002;
B05B 1/18; B05B 9/01

See application file for complete search history.

(56) **References Cited**

U.S. PATENT DOCUMENTS

D680,622 S *	4/2013	Berger	D23/238
D684,667 S *	6/2013	Yu	D23/238
D723,138 S *	2/2015	Ke	D23/238
D842,434 S *	3/2019	Jiang	D23/238
D842,435 S *	3/2019	Jiang	D23/238
D850,587 S *	6/2019	Chen	D23/238
D861,137 S *	9/2019	Chen	D23/255
D861,138 S *	9/2019	Chen	D23/255
D873,961 S	1/2020	Garland		
D873,962 S *	1/2020	Fang	D23/238
D895,069 S *	9/2020	Zhang	D23/238
10,774,935 B2 *	9/2020	Hoogendoorn	E03C 1/04
D912,213 S *	3/2021	Kuang	D23/238
D919,769 S *	5/2021	Garland	D23/255
D921,158 S *	6/2021	Cai	D23/238
D930,118 S	9/2021	Elser		
D931,415 S *	9/2021	Stoler	D23/238

D956,183 S *	6/2022	Yan	D23/238
D959,611 S *	8/2022	Yang	D23/238
D963,801 S *	9/2022	Chang	D23/241
D963,809 S *	9/2022	Feng	D23/255

OTHER PUBLICATIONS

KENES Waterfall Bathroom Faucet Brushed Nickel Bathroom Sink, Oct. 12, 2021, amazon.ca, Sep. 22, 2022, URL: <https://www.amazon.ca/dp/B09J899BBP/> (Year: 2021).*

BWE Vessel Sink Faucet Chrome with Drain Assembly Without, Aug. 27, 2021, amazon.ca, Sep. 22, 2022, URL: <https://www.amazon.ca/dp/B0986ZLL4J/> (Year: 2021).*

Bathroom Faucets with Waterfall Spout,Rustic Farmhouse, Apr. 2, 2021, amazon.ca, Sep. 22, 2022, URL: https://www.amazon.ca/dp/B091JYXQJC/ref=sspa_dk_detail_1?ie=UTF8&s=hi&sp_csd=d2lkZ2V0TmFtZT1zcF9kZXRhaWw&th=1 (Year: 2021).*

* cited by examiner

Primary Examiner — Keith J Wilson

(57) **CLAIM**

The ornamental design for a faucet, as shown and described.

DESCRIPTION

FIG. 1 is a perspective view of a faucet showing my new design;

FIG. 2 is another perspective view thereof;

FIG. 3 is a front elevational view thereof;

FIG. 4 is a rear elevational view thereof;

FIG. 5 is a left side elevational view thereof;

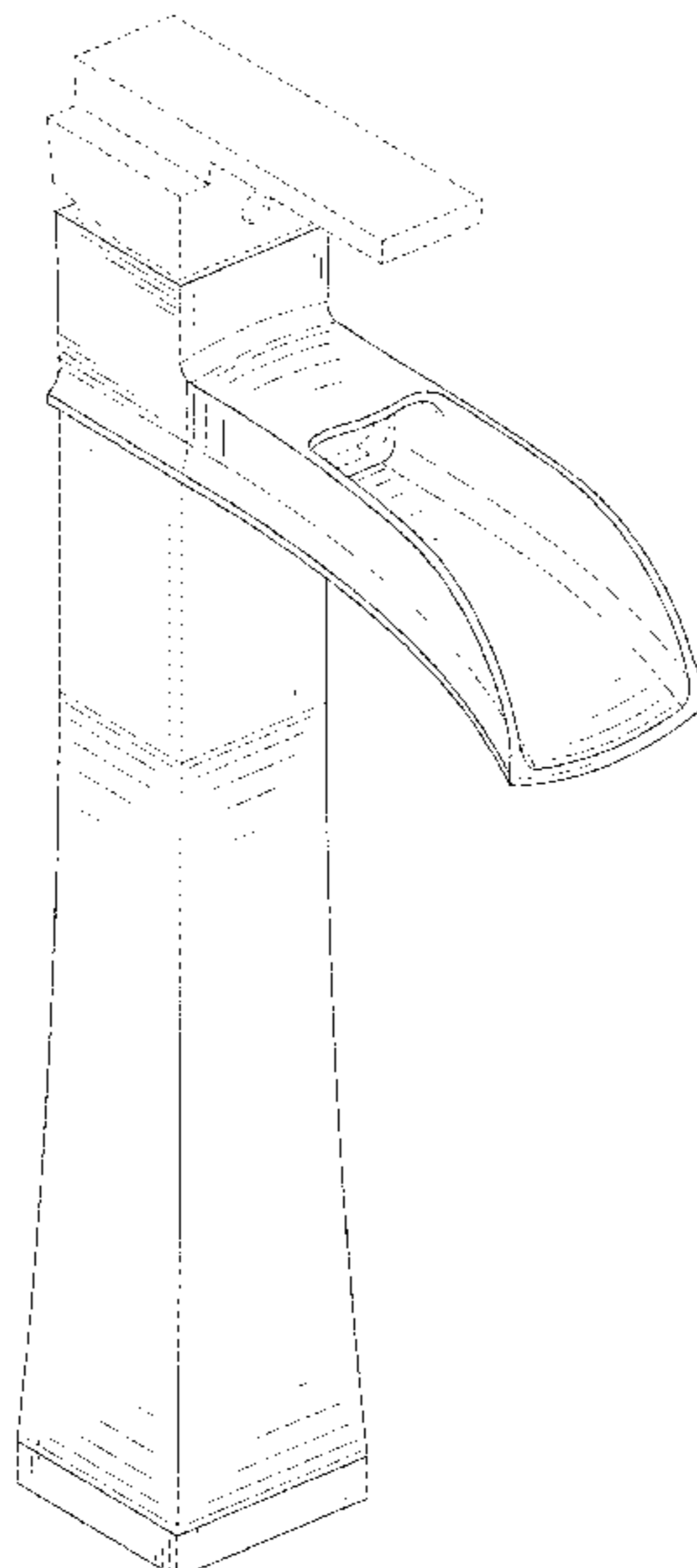
FIG. 6 is a right side elevational view thereof;

FIG. 7 is a top plan view thereof; and,

FIG. 8 is a bottom plan view thereof.

The broken lines in the drawings depict portions of the faucet that form no part of the claimed design.

1 Claim, 8 Drawing Sheets



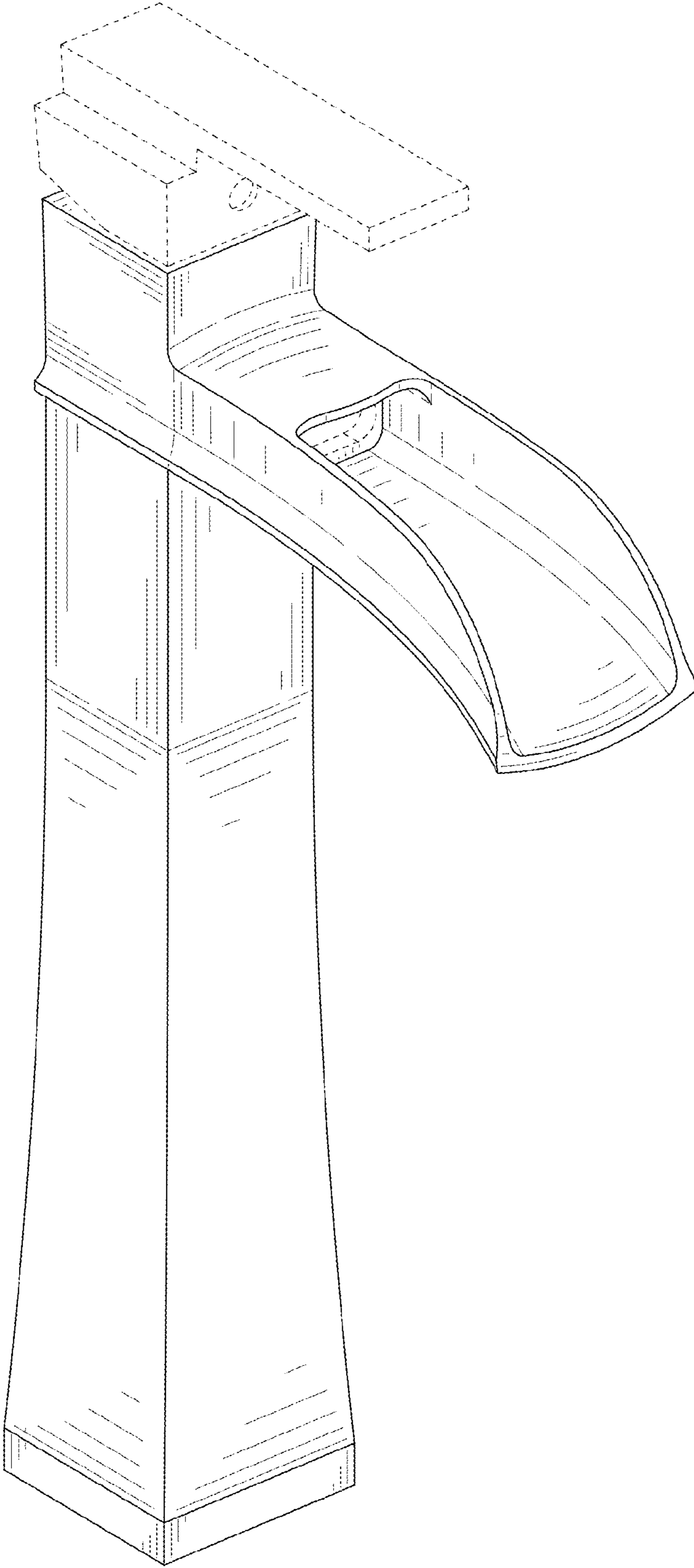


FIG. 1

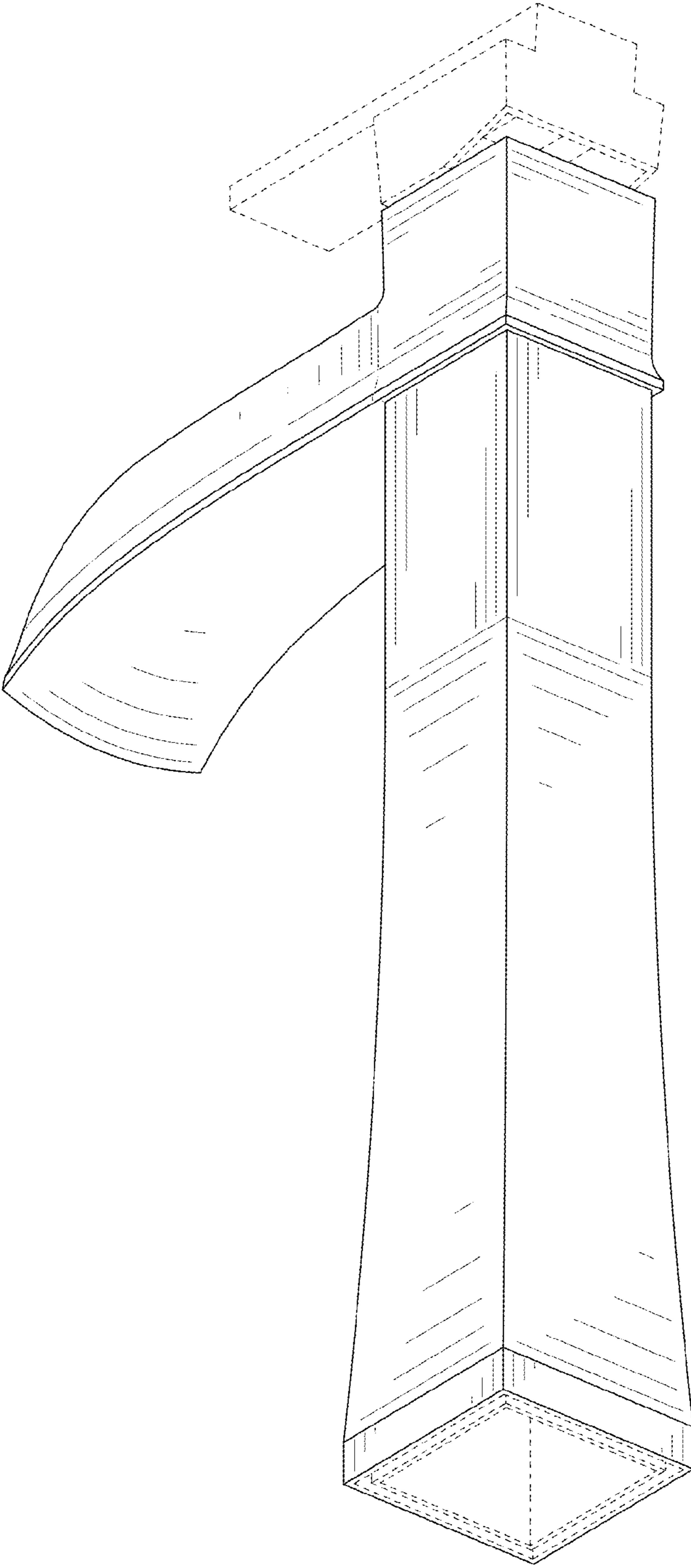


FIG. 2

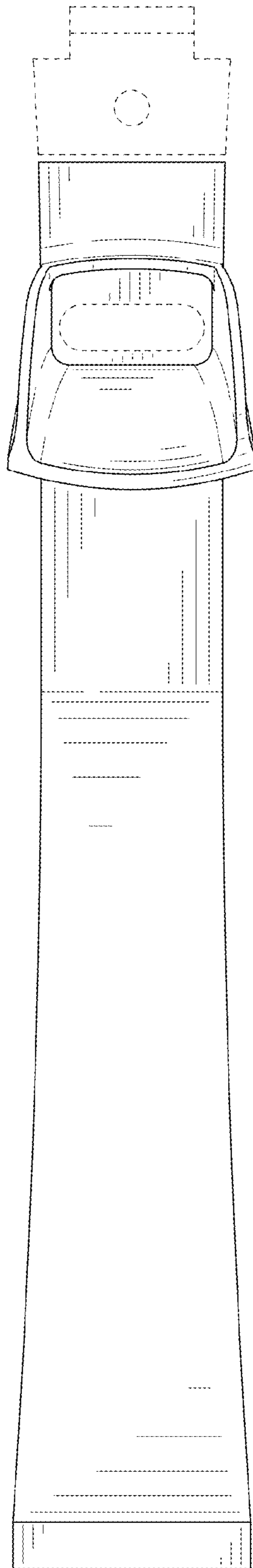


FIG. 3

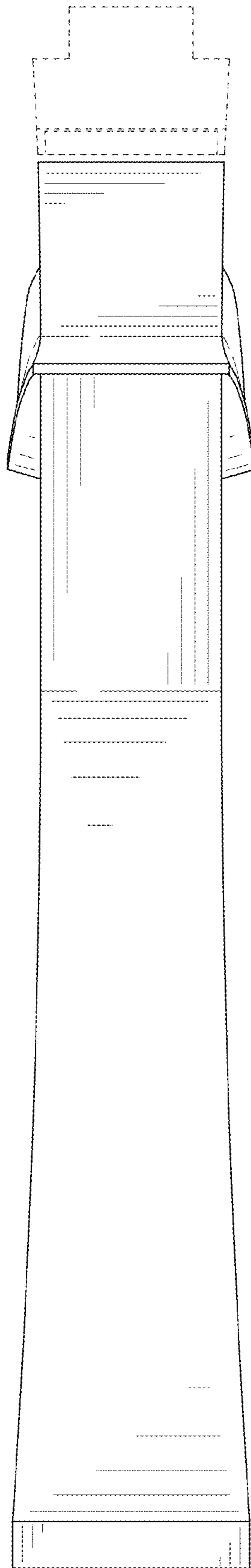


FIG. 4

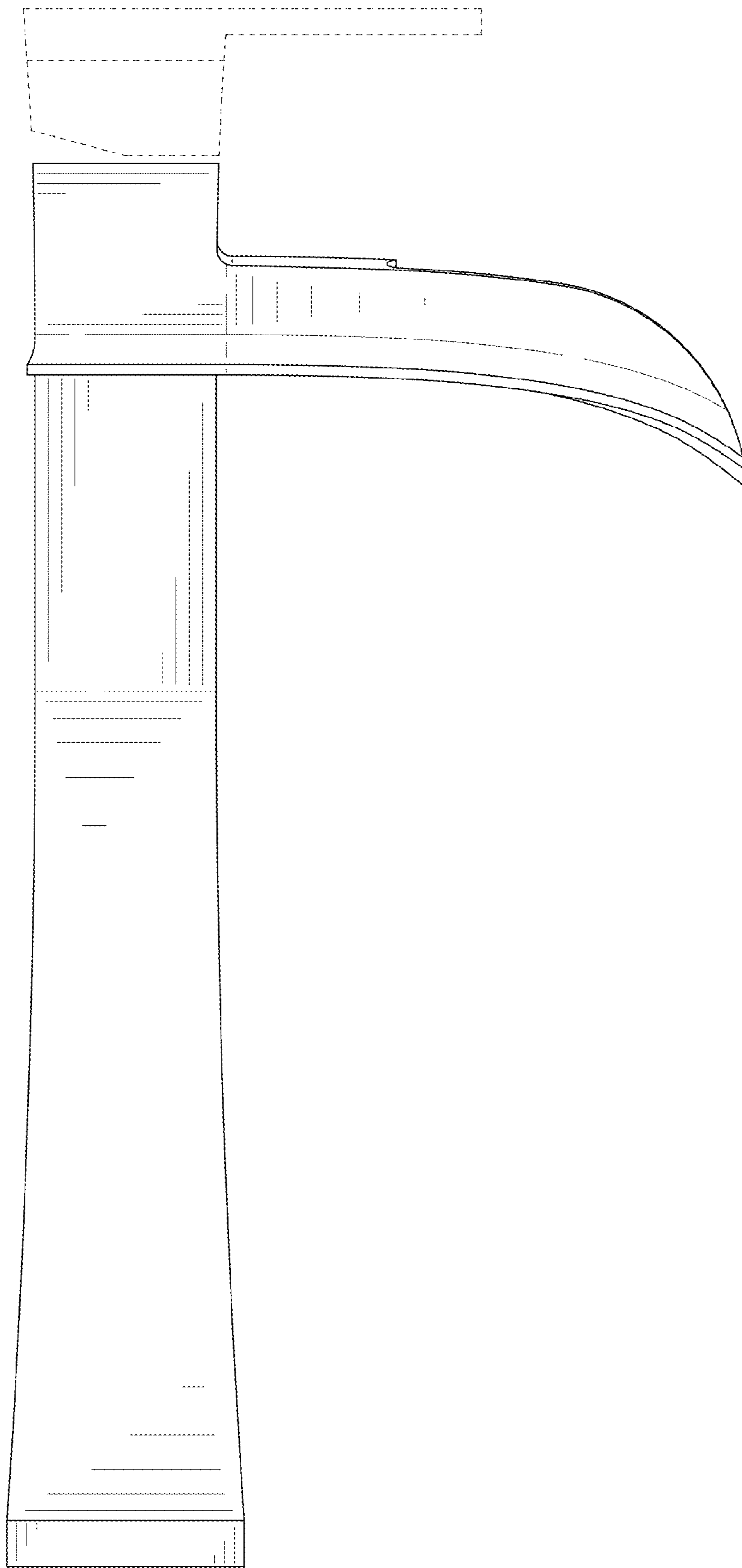


FIG. 5

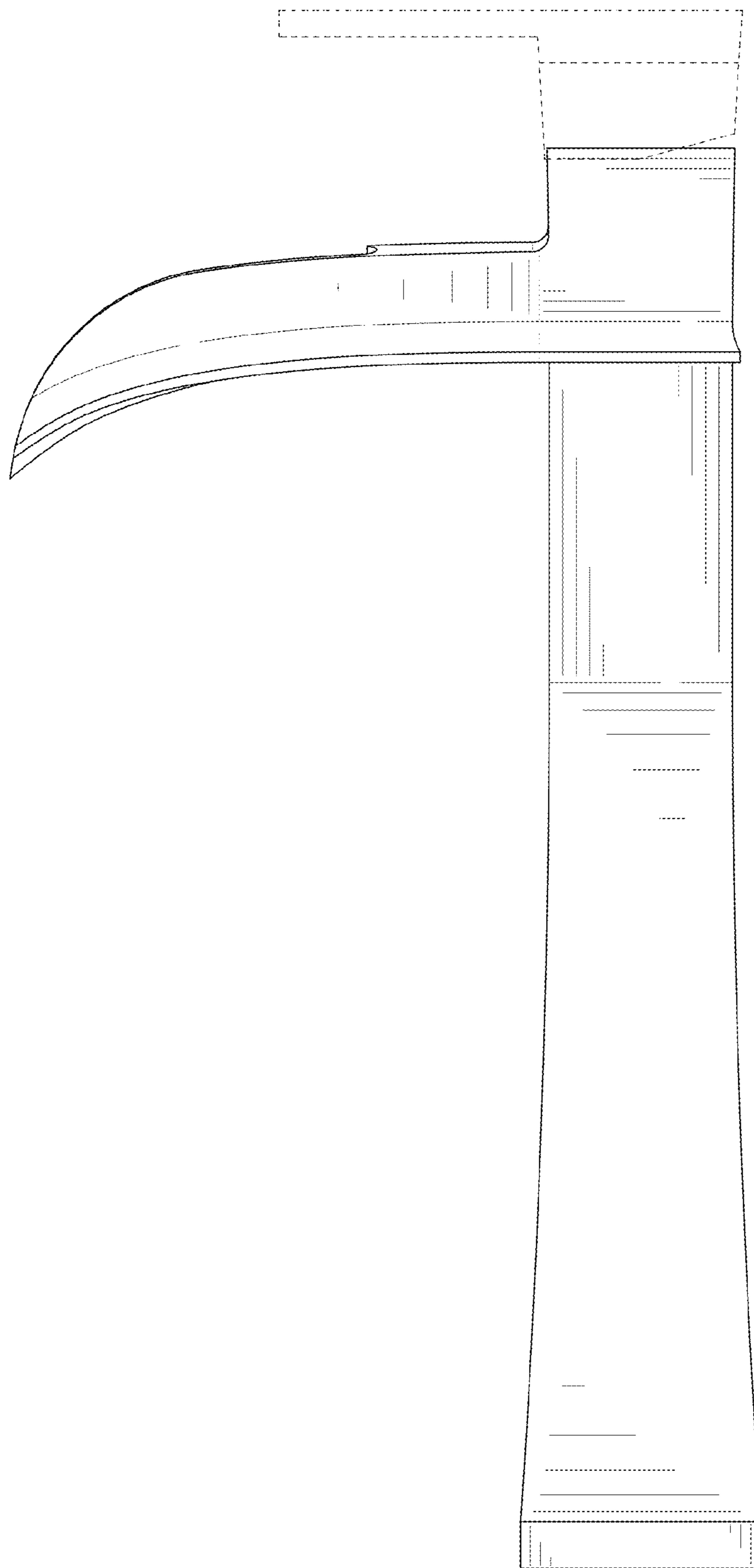


FIG. 6

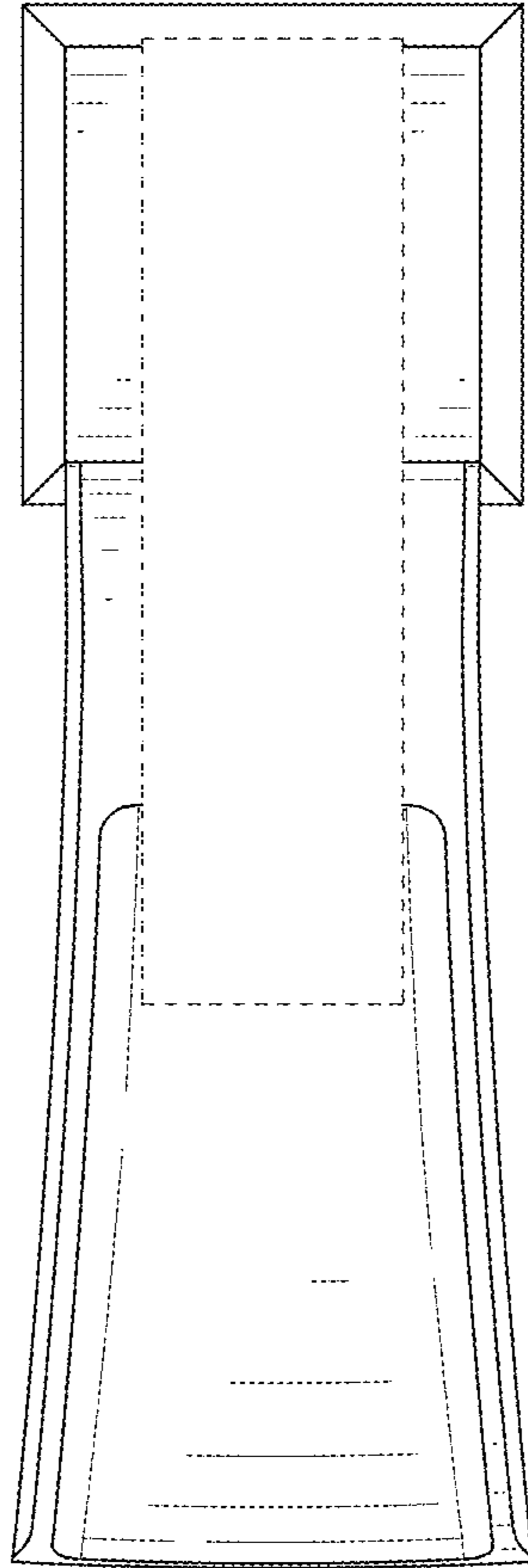


FIG. 7

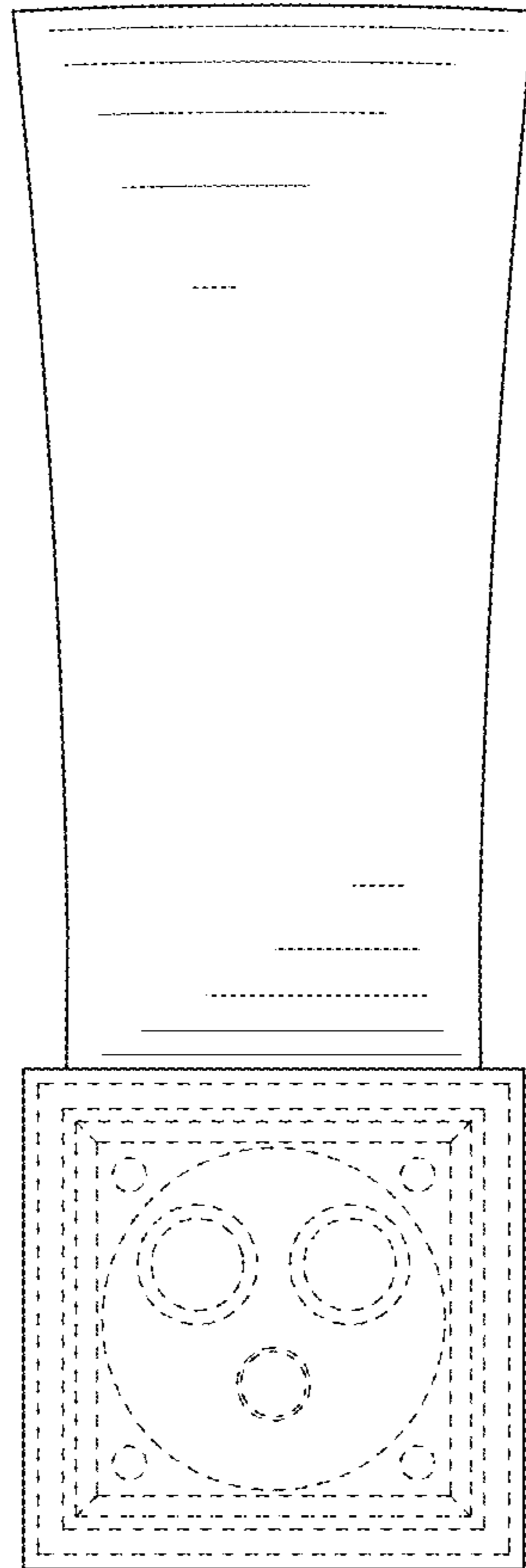


FIG. 8