



US00D975822S

(12) **United States Design Patent** (10) **Patent No.:** **US D975,822 S**
Fitzpatrick et al. (45) **Date of Patent:** **** Jan. 17, 2023**

(54) **PORTABLE WATER TREATMENT DEVICE**

7,540,167 B2 * 6/2009 Murphy B01D 5/0039
62/291
D621,903 S * 8/2010 Acernese D23/209
D811,518 S * 2/2018 Zarraonandia D23/206
D913,410 S * 3/2021 Casey D23/200
11,034,568 B2 * 6/2021 Gabrieli B67D 1/0061
D948,907 S * 4/2022 Carberry D7/306
2011/0147194 A1 * 6/2011 Kamen B01D 5/006
202/262

(71) Applicant: **Blu Technology, LLC**, Portage, MI (US)

(72) Inventors: **Pierce Q. Fitzpatrick**, Saline, MI (US); **Margaret A. Freel**, Grand Ledge, MI (US); **Timothy A. Gerber**, Louisville, KY (US); **Parrish F. Hanna**, Bloomfield Hills, MI (US); **Shabtai C. Hirshberg**, Oak Park, MI (US); **Hannah N. Sailer**, Hastings, MI (US); **John E. Sztykiel**, Lansing, MI (US); **Joni L. Sztykiel**, Lansing, MI (US); **Timothy R. Williams**, Charlotte, MI (US)

(Continued)

OTHER PUBLICATIONS

Culligan Matrix Solutions, Aug. 24, 2011, YouTube, site visited Jun. 13, 2022: <https://www.youtube.com/watch?v=o7E2SLvaP4I> (Year: 2011).*

(Continued)

(73) Assignee: **Blu Technology, LLC**, Portage, MI (US)

Primary Examiner — Jack Reickel
Assistant Examiner — Bobby W Jones, II
(74) *Attorney, Agent, or Firm* — Gardner, Linn, Burkhardt & Ondersma LLP

(**) Term: **15 Years**

(57) **CLAIM**

(21) Appl. No.: **29/774,211**

The ornamental design for a portable water treatment device, as shown and described.

(22) Filed: **Mar. 15, 2021**

(51) **LOC (14) Cl.** **23-01**

(52) **U.S. Cl.**
USPC **D23/207**

(58) **Field of Classification Search**
USPC D23/23, 200, 202, 207, 208, 209, 210, D23/365; D24/162; D7/306
CPC C02F 1/003; C02F 9/005; C02F 2201/006; C02F 2201/007; C02F 2307/10
See application file for complete search history.

DESCRIPTION

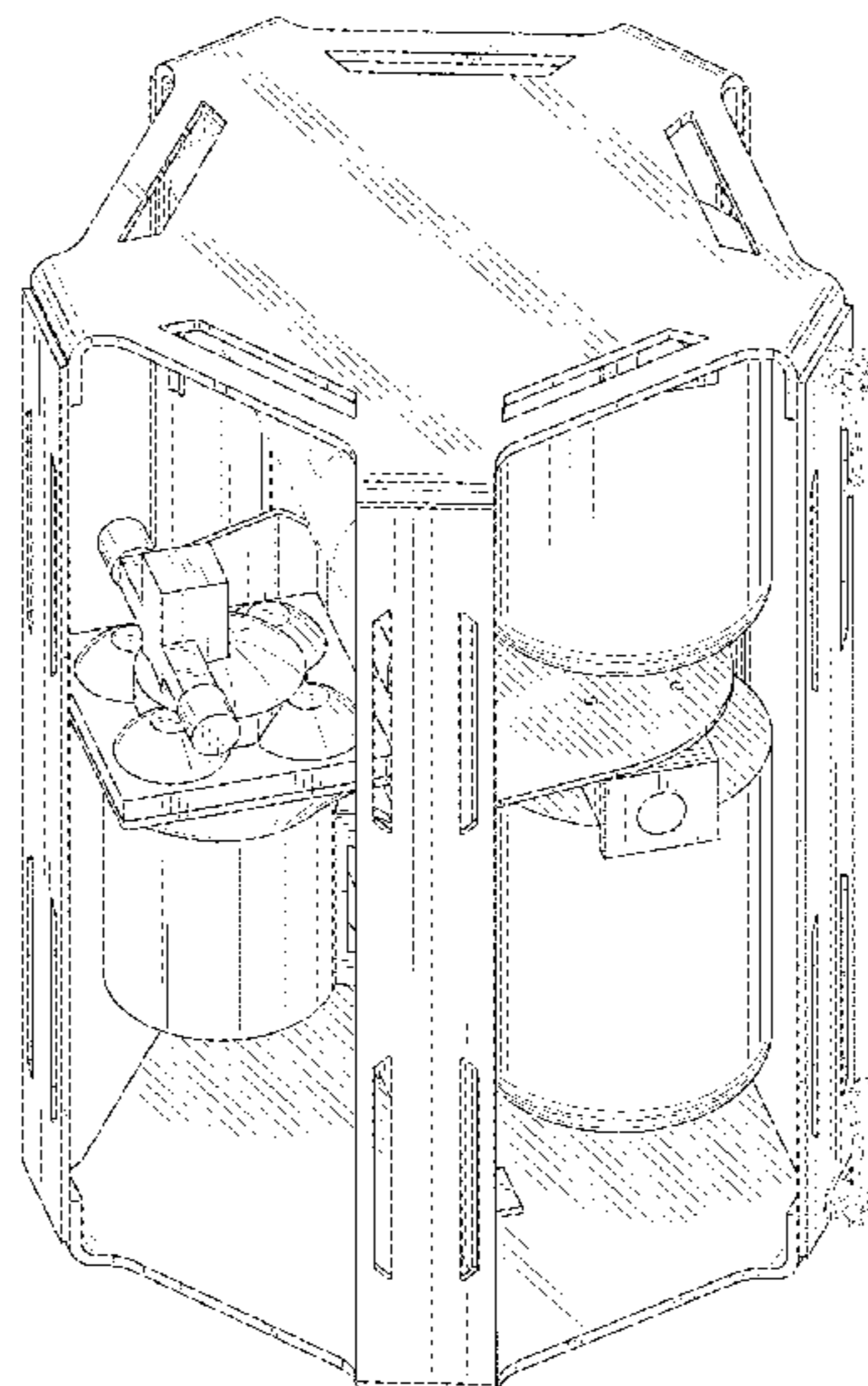
FIG. 1 is a top, right perspective view of a portable water treatment device embodying the new design;
FIG. 2 is a top, rear perspective view thereof;
FIG. 3 is a bottom, right perspective view thereof;
FIG. 4 is a front view thereof;
FIG. 5 is a rear view thereof;
FIG. 6 is a right view thereof;
FIG. 7 is a left view thereof;
FIG. 8 is a top view thereof; and,
FIG. 9 is a bottom view thereof.
FIGS. 1-9 show portion of the portable water treatment device in broken lines. The broken line portions form no part of the claimed design.

(56) **References Cited**

U.S. PATENT DOCUMENTS

D187,577 S * 3/1960 Smith D23/207
D316,739 S * 5/1991 Erickson D23/207
D490,496 S * 5/2004 Cook D23/207
D525,092 S * 7/2006 Ariaz D23/200

1 Claim, 9 Drawing Sheets



(56)

References Cited

U.S. PATENT DOCUMENTS

2018/0008915 A1* 1/2018 Chernov B01D 35/30
2021/0347663 A1* 11/2021 Qin C02F 1/325

OTHER PUBLICATIONS

Portable RO water purification system, Jun. 27, 2017, YouTube, site visited Jun. 13, 2022: <https://www.youtube.com/watch?v=8nysDweMPF0> (Year: 2017).*

* cited by examiner

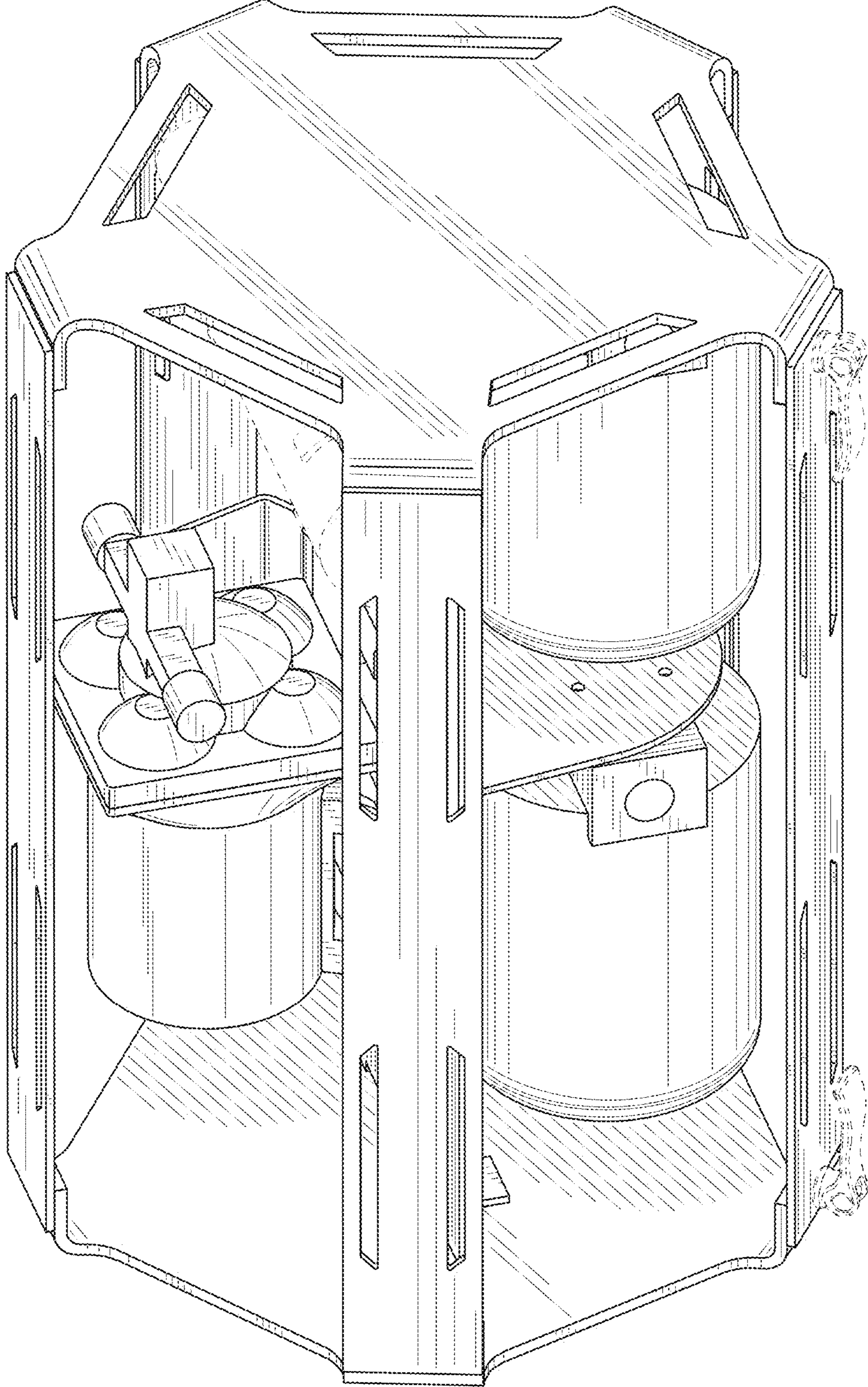


Fig. 1

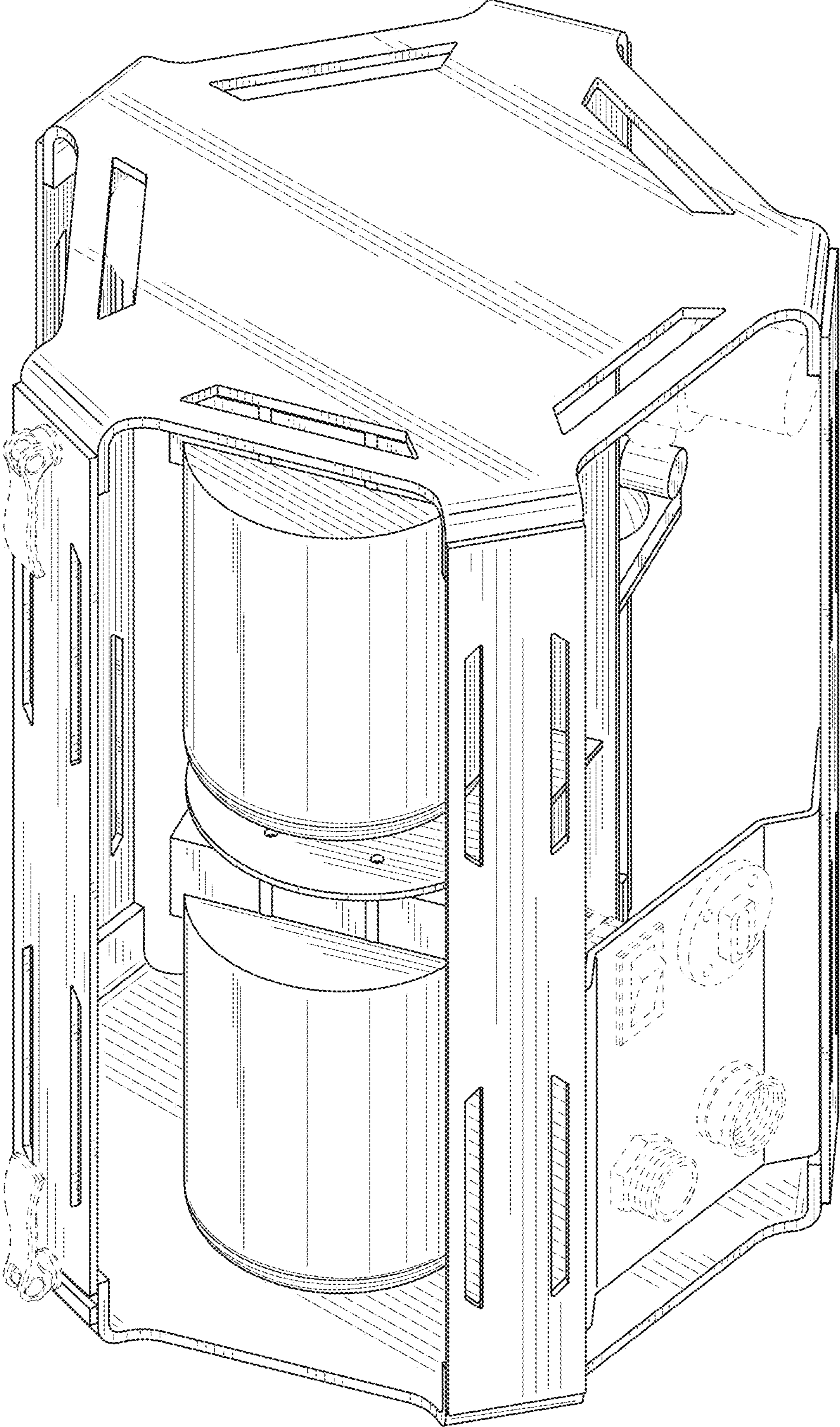


Fig. 2

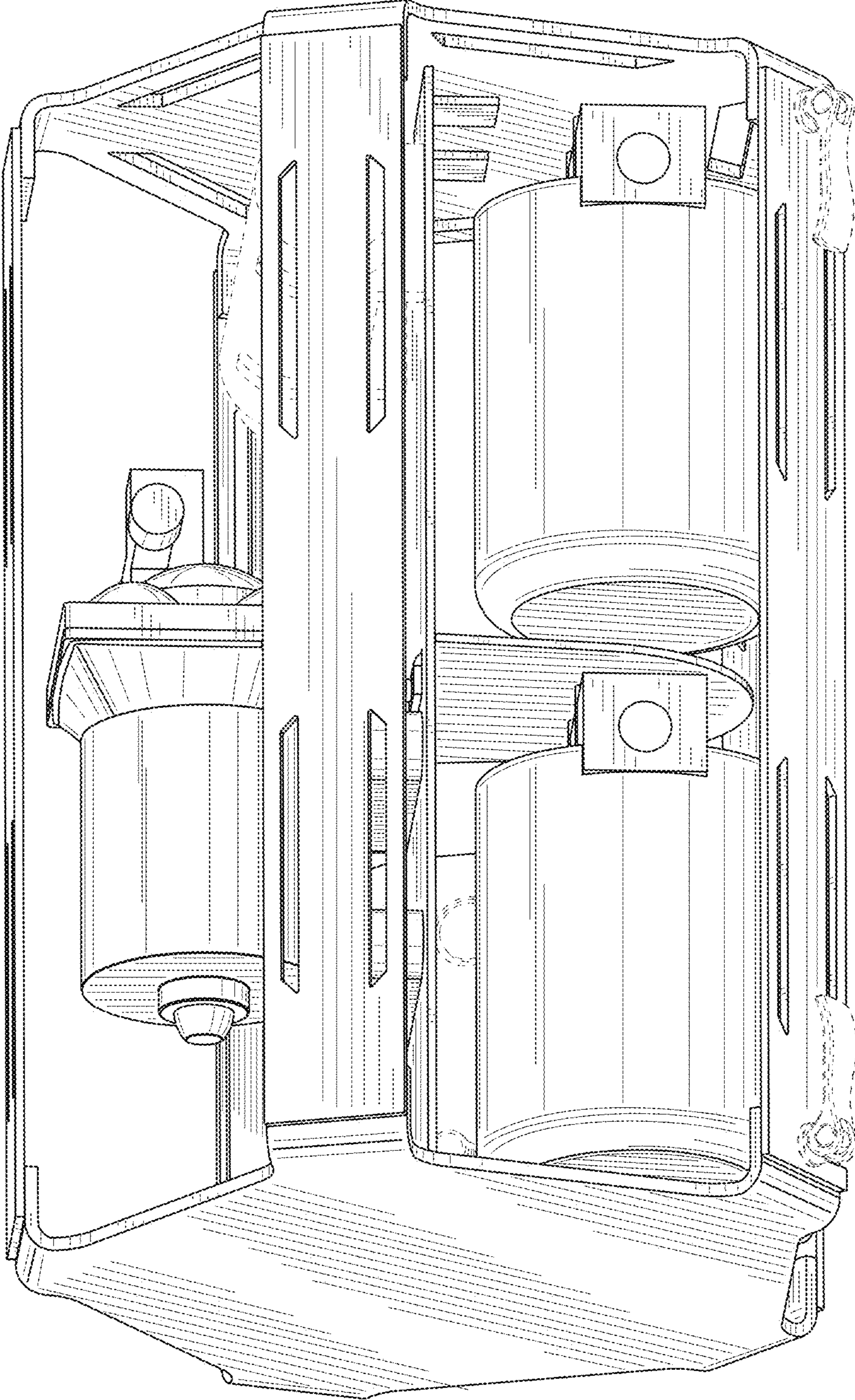


Fig. 3

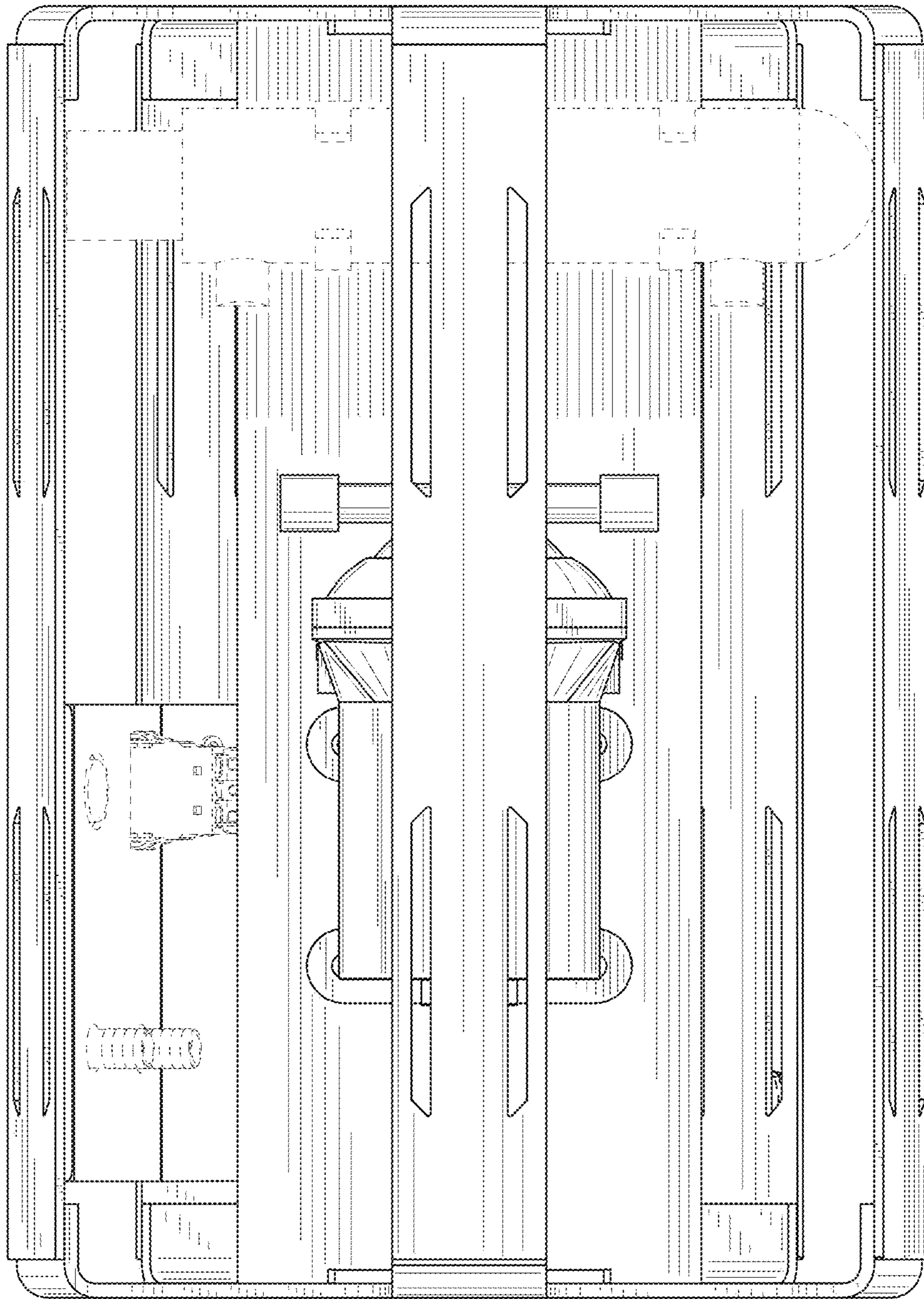


Fig. 4

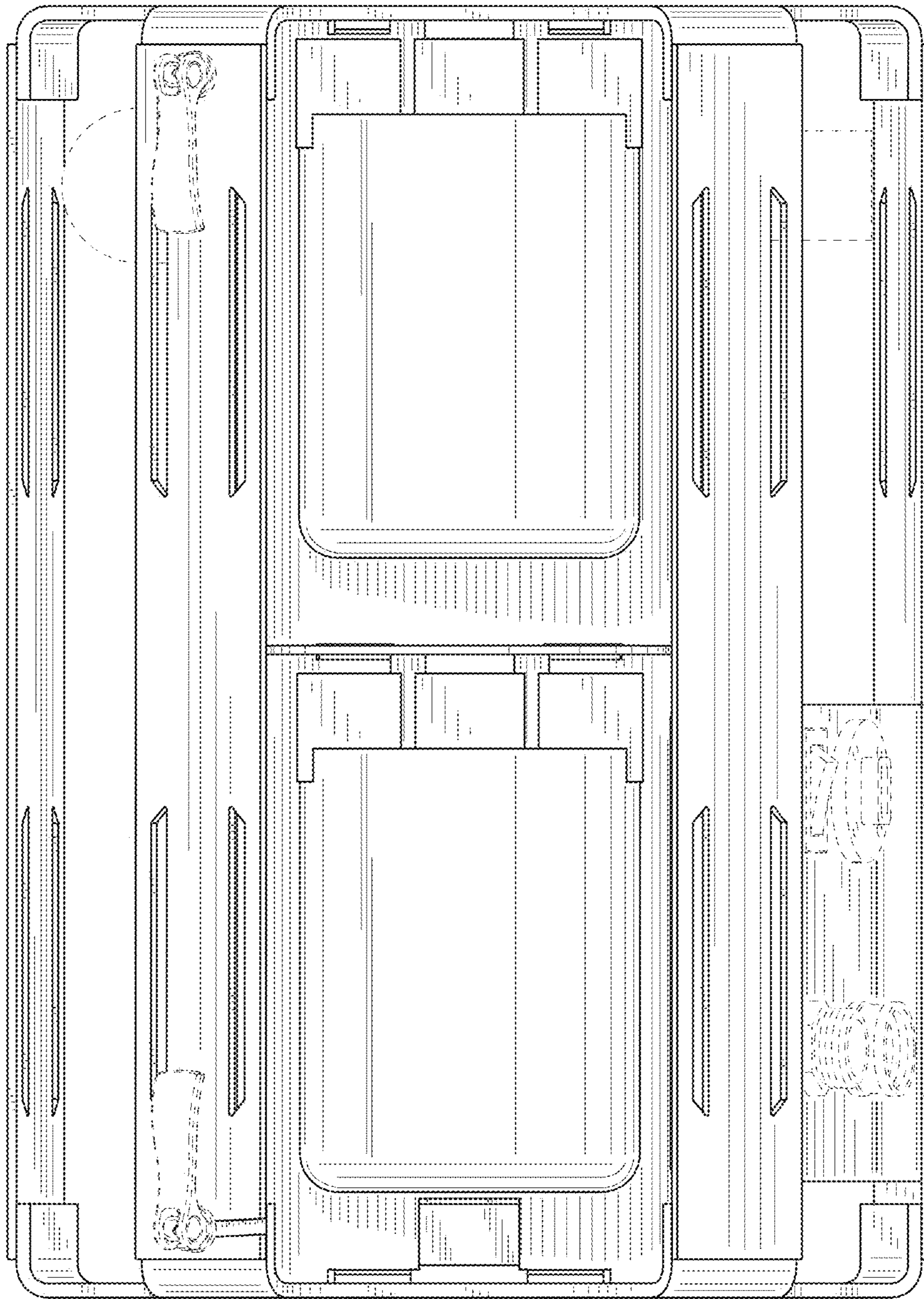


Fig. 5

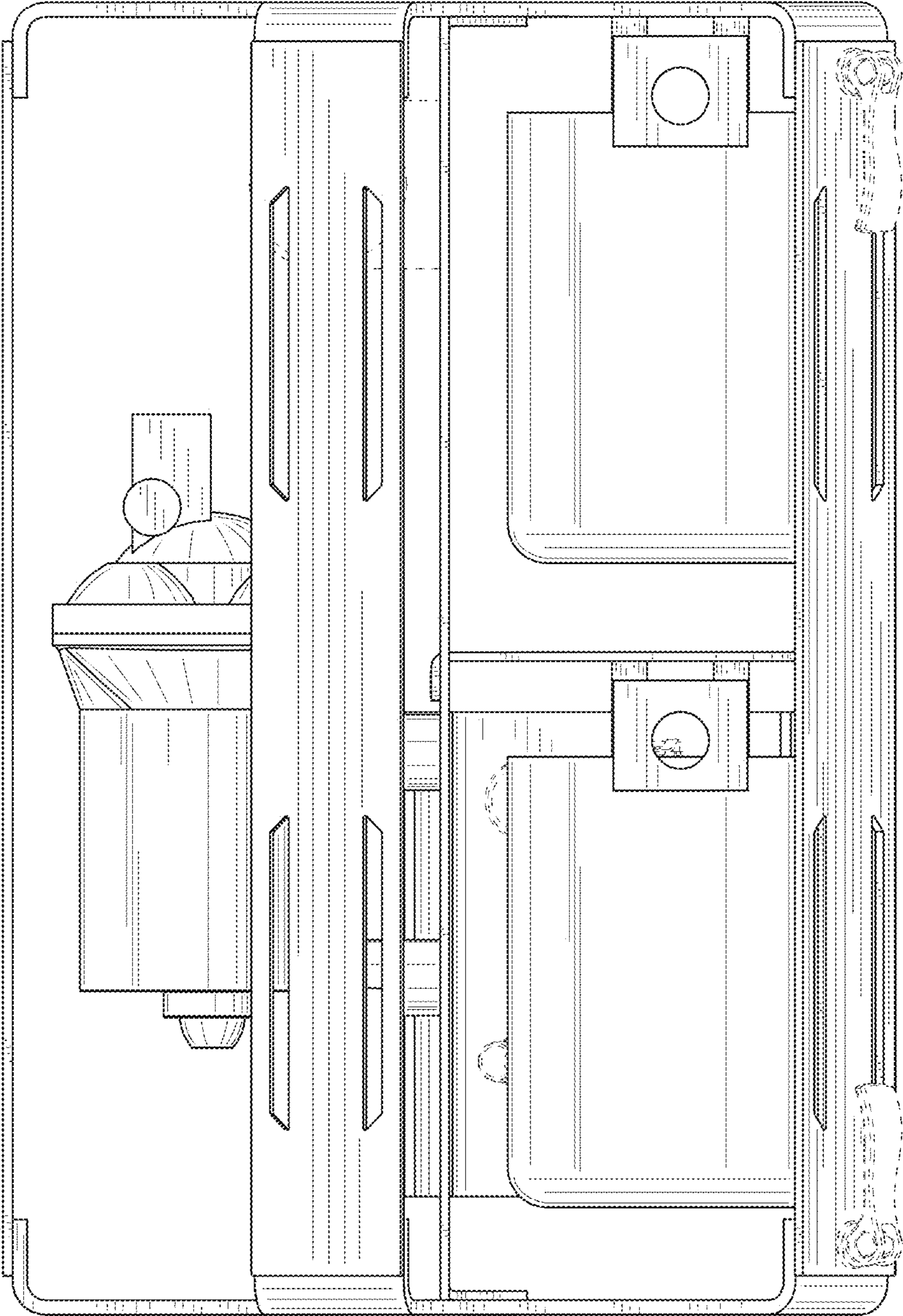


Fig. 6

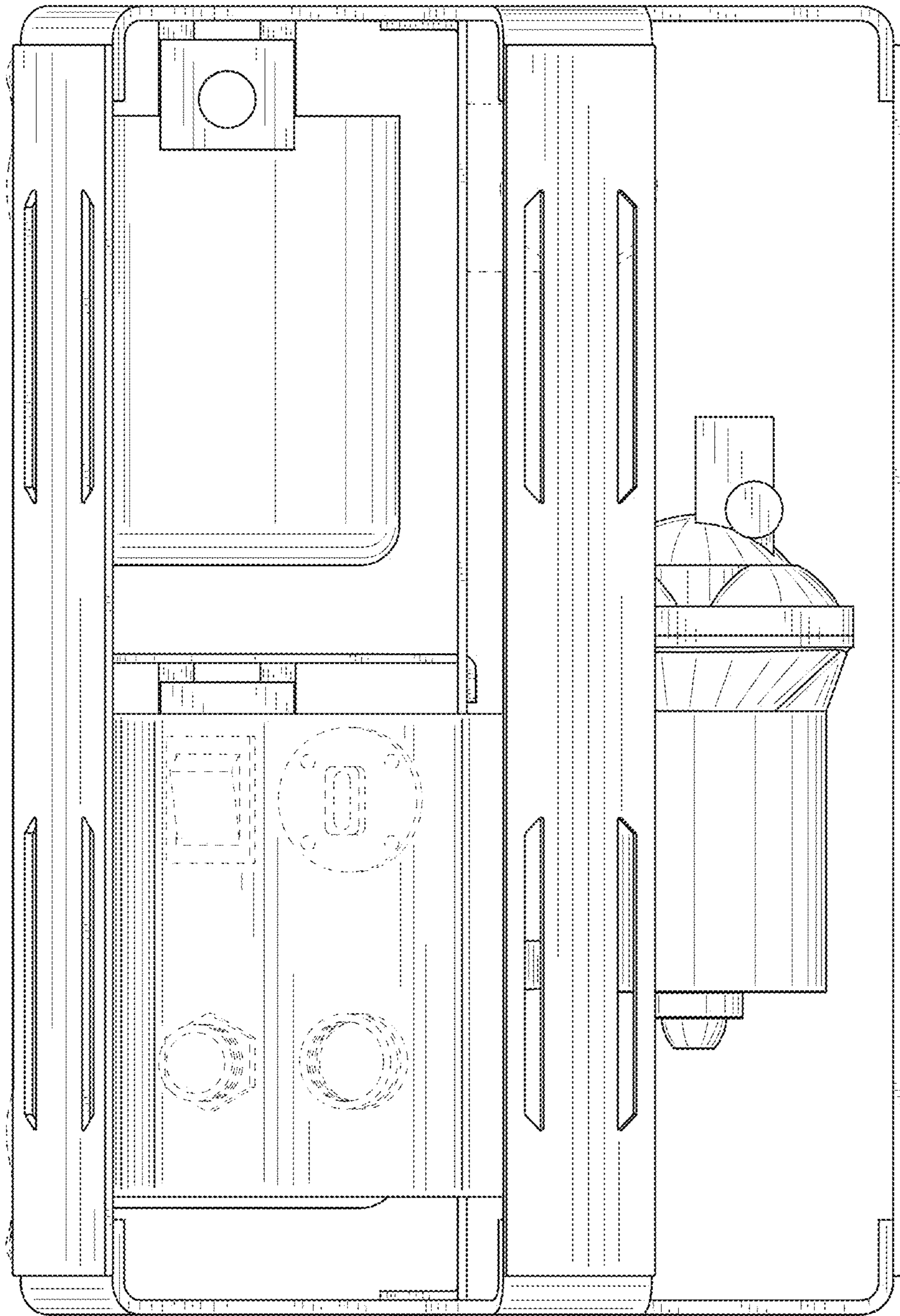


Fig. 7

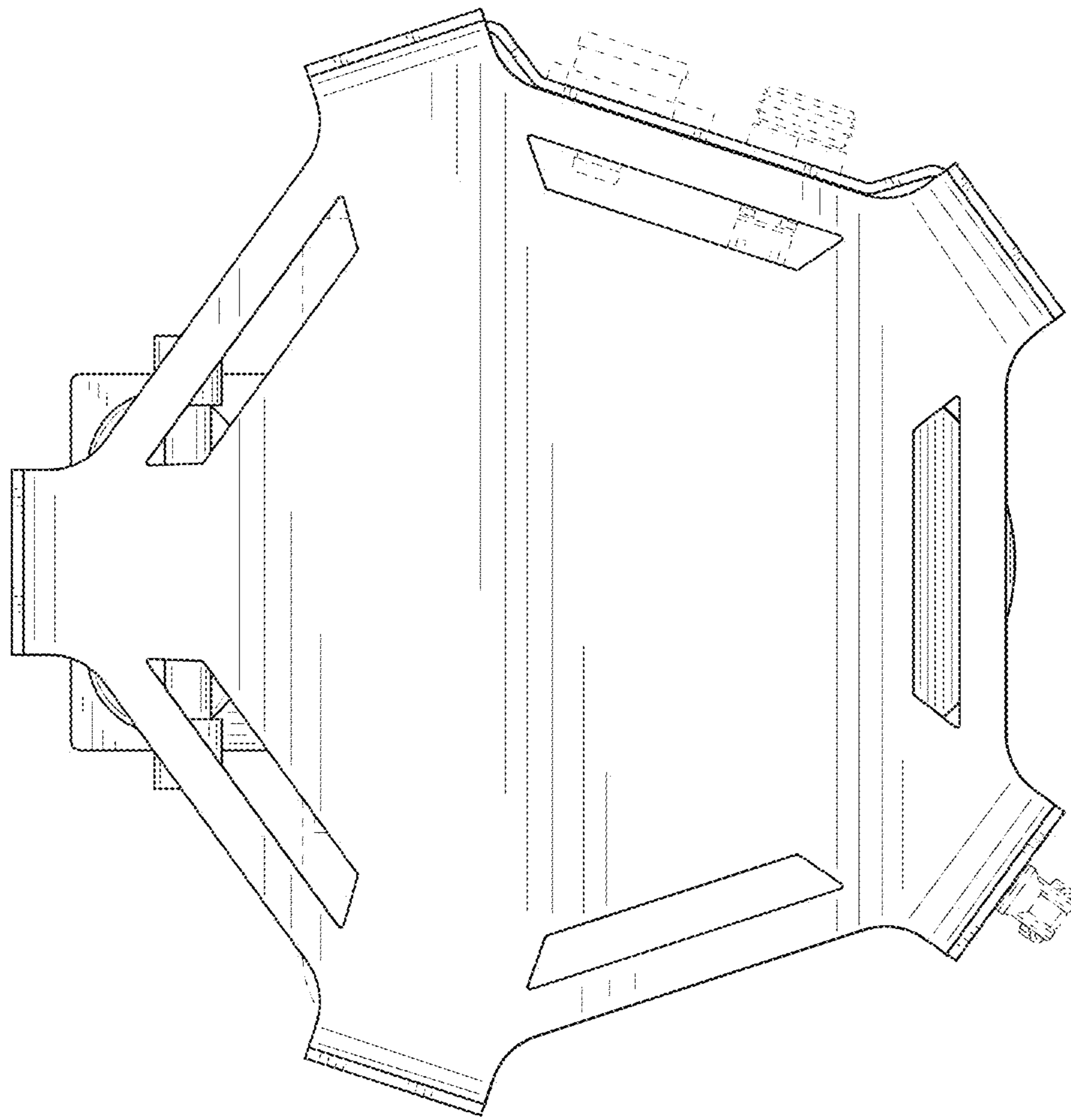


Fig. 8

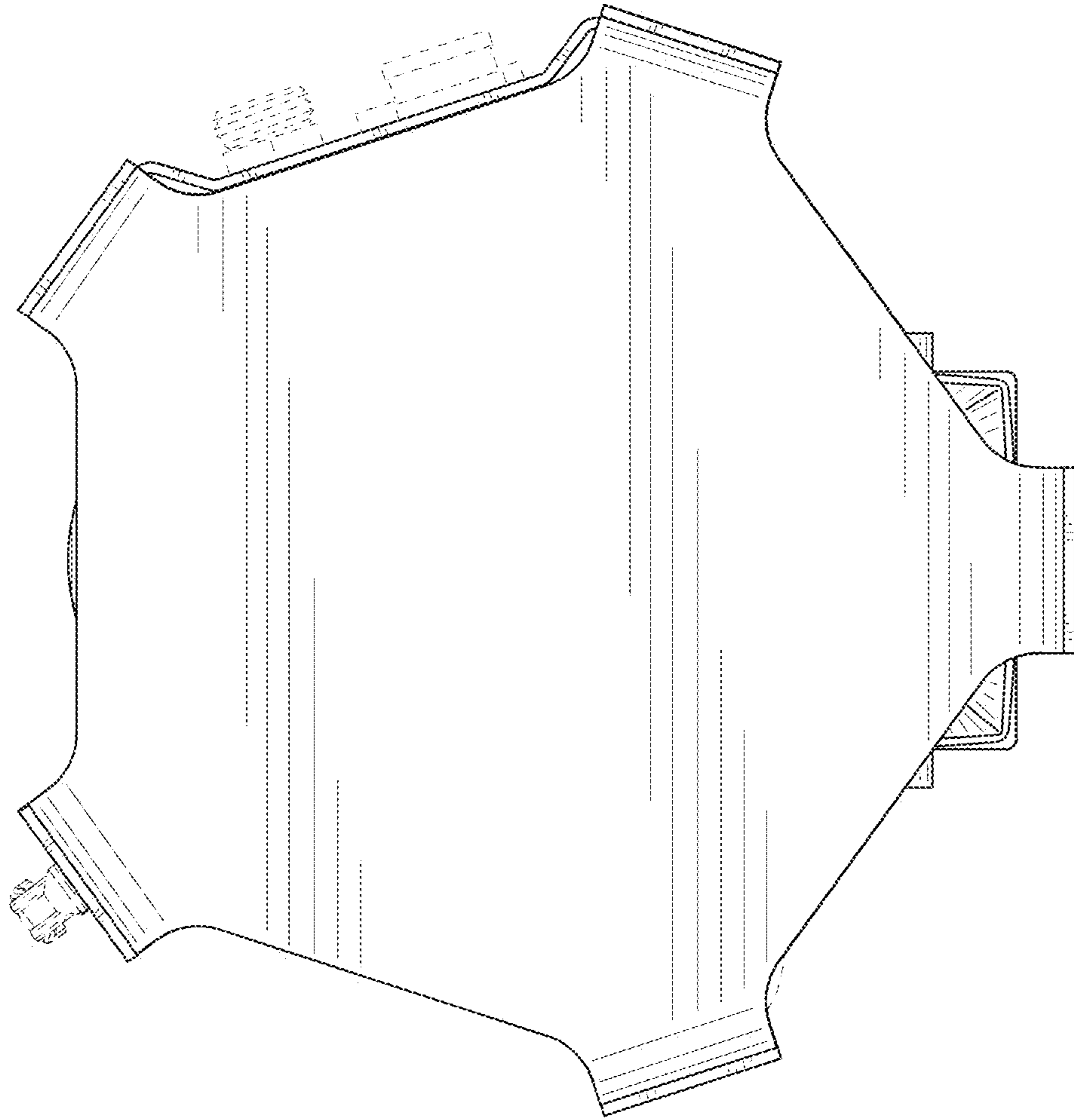


Fig. 9