



US00D975821S

(12) **United States Design Patent** (10) **Patent No.:** **US D975,821 S**
Kampf et al. (45) **Date of Patent:** **** Jan. 17, 2023**

(54) **TANK STAND** D858,695 S * 9/2019 Chen F17C 13/084
 D23/209
 (71) Applicant: **AMTROL LICENSING INC.**, West D934,987 S * 11/2021 Boulay D23/206
 Warwick, RI (US) D936,177 S * 11/2021 Boulay D23/206
 D946,222 S * 3/2022 Lin D32/25
 2004/0016855 A1* 1/2004 Berry F17C 13/084
 248/146
 (72) Inventors: **Christopher Kampf**, Moosup, CT 2006/0000839 A1 1/2006 Gremour et al.
 (US); **Jeffrey Neto**, Cumberland, RI 2011/0140412 A1* 6/2011 Manser F17C 13/084
 (US); **Ken Cerpovicz**, Warwick, RI 285/192
 (US); **Jody McKinley**, Mt. Vernon, OH 2018/0080607 A1 3/2018 Van Haaren et al.
 (US) 2020/0271276 A1* 8/2020 Aguiar F17C 13/00

(73) Assignee: **AMTROL LICENSING INC.**, West
 Warwick, RI (US)

(**) Term: **15 Years**

(21) Appl. No.: **29/715,004**

(22) Filed: **Nov. 27, 2019**

(51) **LOC (14) Cl.** **23-01**

(52) **U.S. Cl.**
 USPC **D23/206**

(58) **Field of Classification Search**
 USPC ... D23/206, 208, 211.1, 213, 214, 221, 303,
 D23/313, 352, 354, 499; D32/25, 54
 CPC A47B 91/005; B65D 25/24; F16K 35/10;
 F17C 13/084; F17C 13/06
 See application file for complete search history.

(56) **References Cited**

U.S. PATENT DOCUMENTS

D523,518 S * 6/2006 Moldenhauer D23/206
 D579,514 S * 10/2008 Kelps D23/206
 D658,267 S * 4/2012 Brockington D23/206
 D665,871 S * 8/2012 Coupe D23/206
 9,528,659 B2* 12/2016 Manser F17C 13/084
 D781,999 S * 3/2017 Salvati D23/206
 D786,398 S * 5/2017 Ligonesche D23/206
 D794,746 S * 8/2017 Kessler F17C 13/00
 D23/206
 D799,690 S * 10/2017 Kawamura F17C 13/084
 D23/499

OTHER PUBLICATIONS

Cameo Base found on Aug. 17, 2021 at <https://www.etrailer.com/Propane/Camco/CAM57236.html> (Year: 2016).*

* cited by examiner

Primary Examiner — Karen S Acker
Assistant Examiner — Jonathan E Fiencke
 (74) *Attorney, Agent, or Firm* — Tucker Ellis LLP

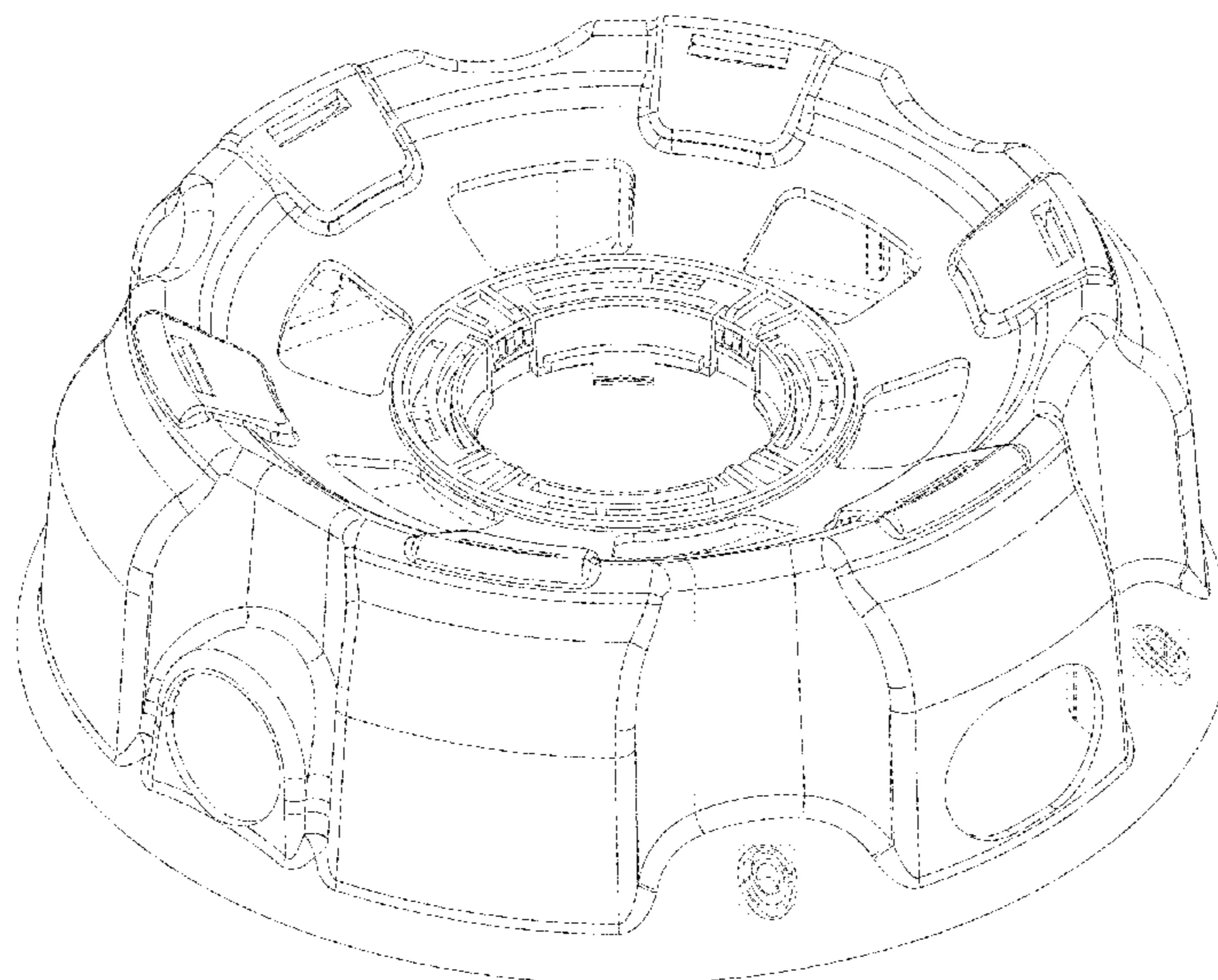
(57) **CLAIM**

The ornamental design for a tank stand, as shown and described.

DESCRIPTION

FIG. 1 is a perspective view of a tank stand showing a new design;
 FIG. 2 is a rear view thereof;
 FIG. 3 is a front view thereof;
 FIG. 4 is a left side view thereof;
 FIG. 5 is a right side view thereof;
 FIG. 6 is a top view thereof; and,
 FIG. 7 is a bottom view thereof.
 The broken lines show portions of the tank stand that form no part of the claimed design.

1 Claim, 7 Drawing Sheets



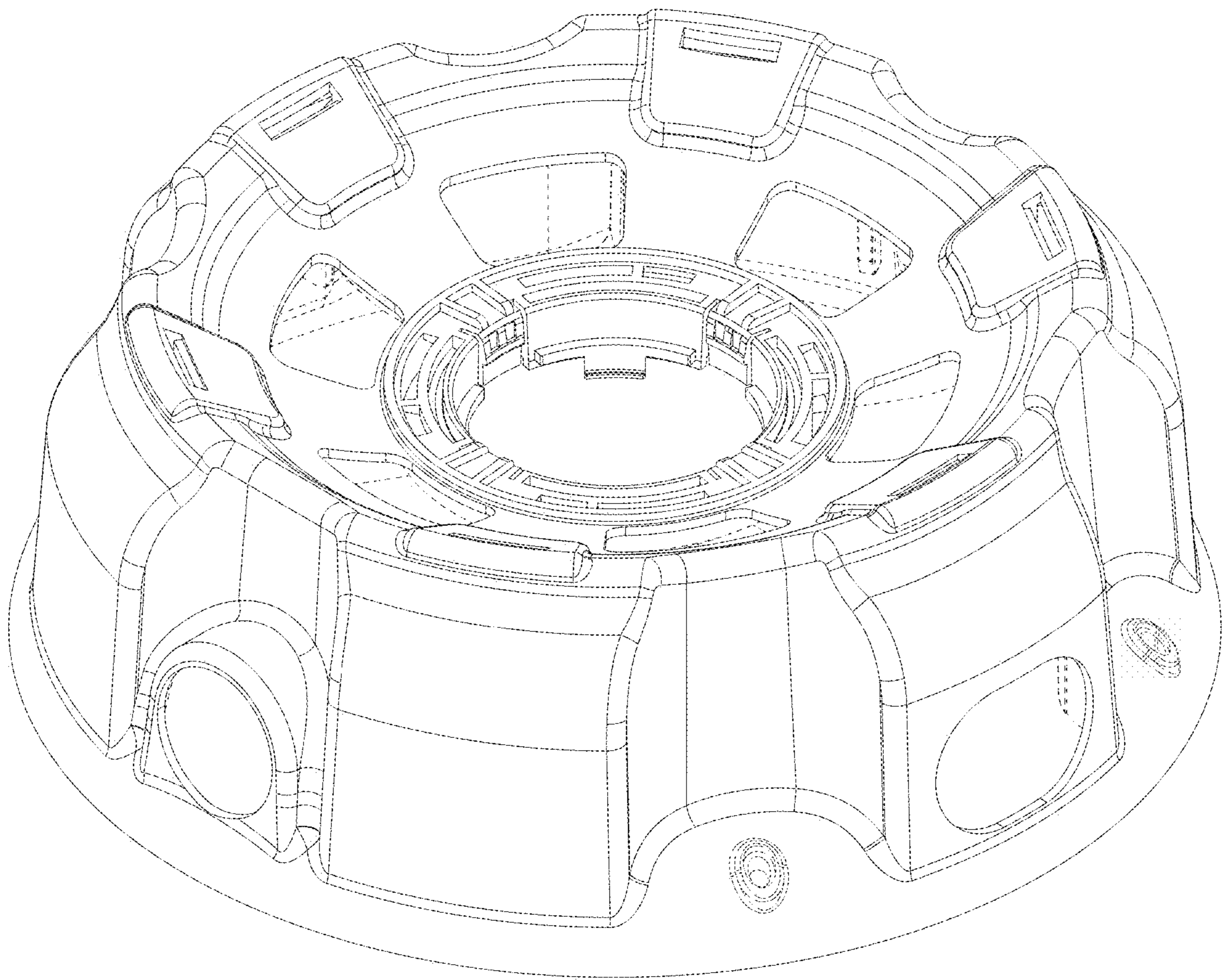


FIG.1

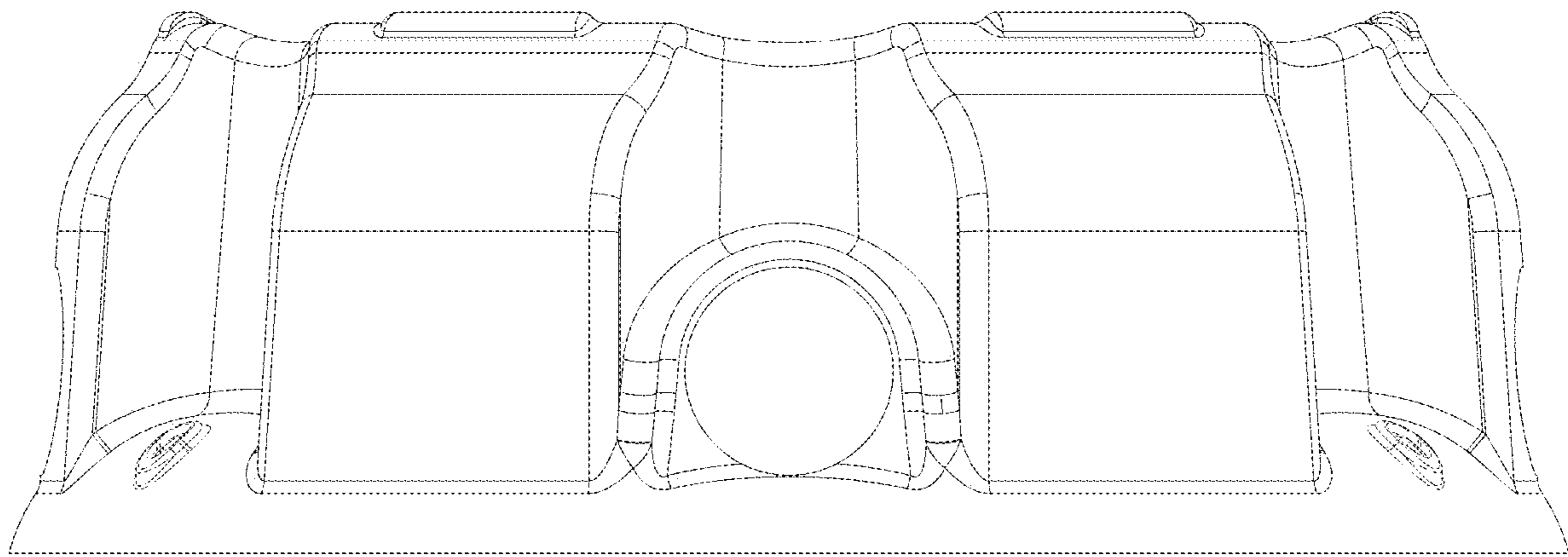


FIG.2

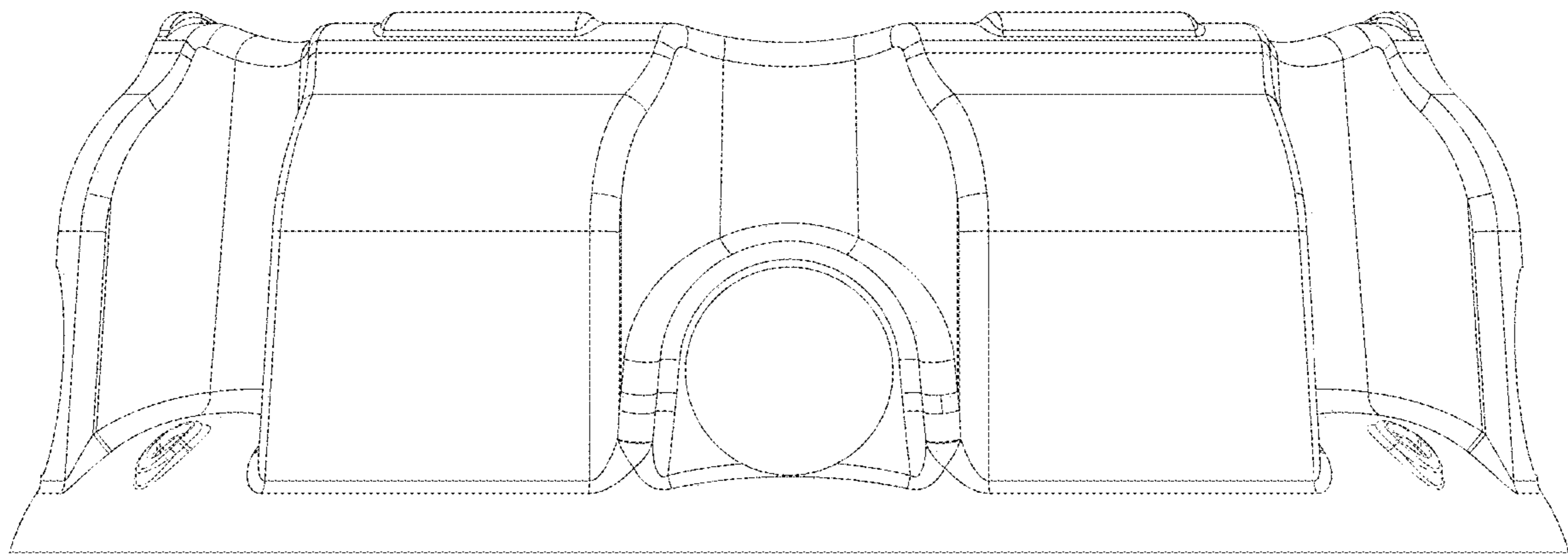


FIG.3

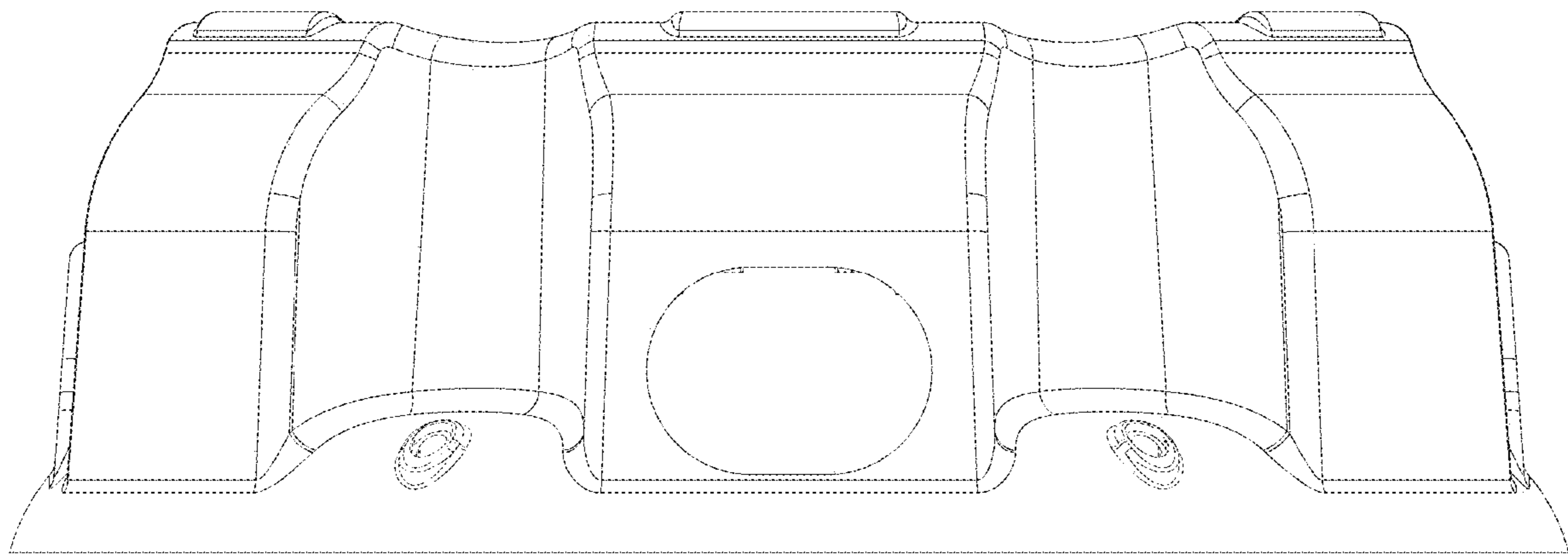


FIG.4

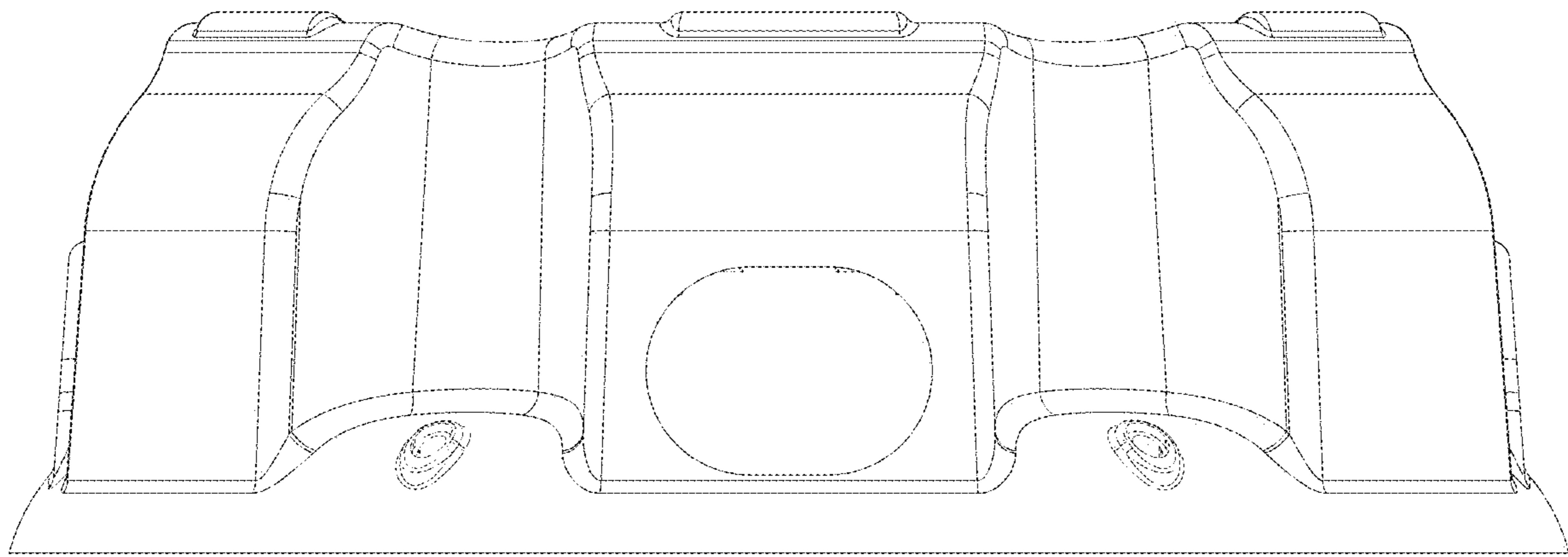


FIG.5

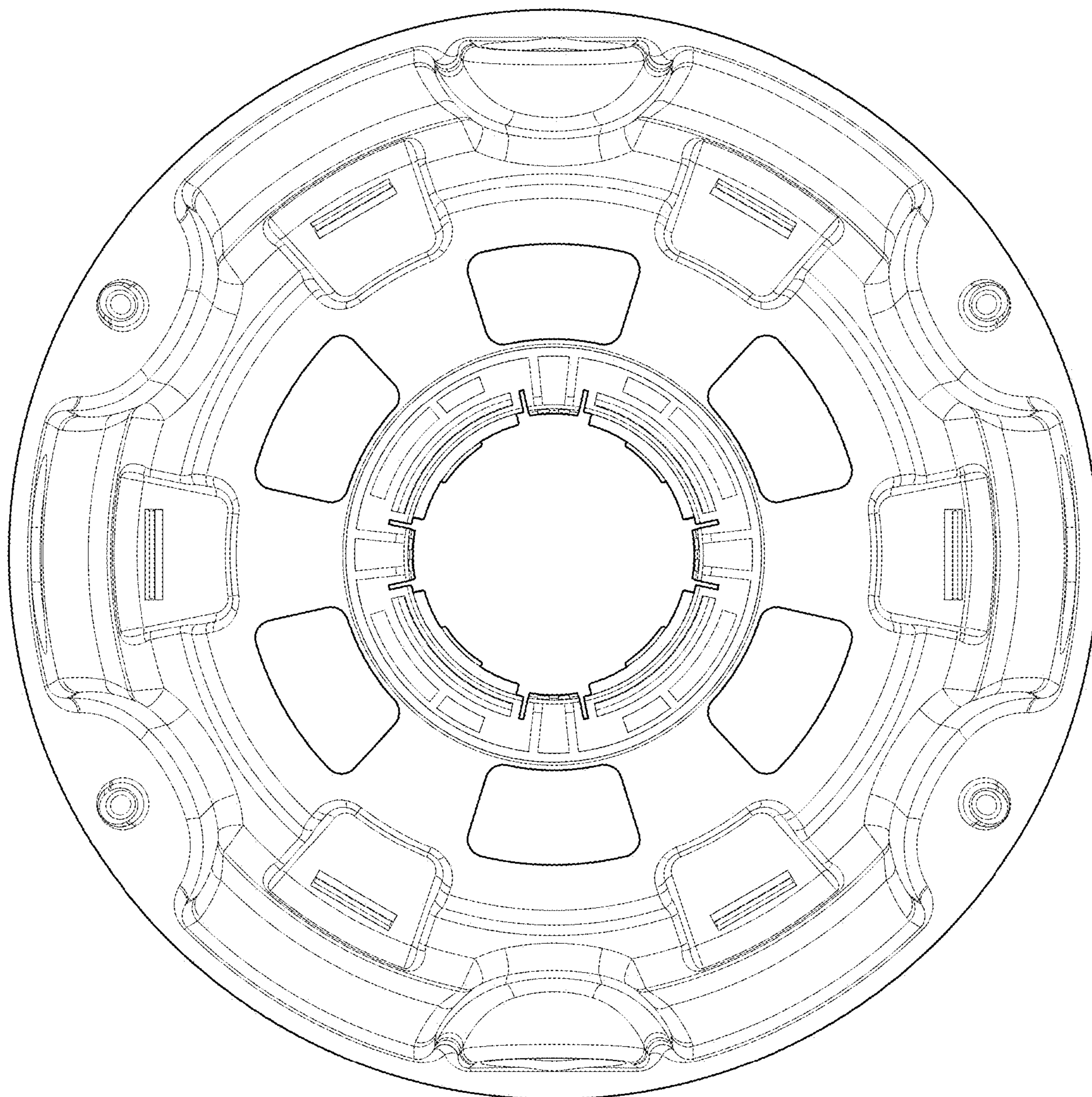


FIG.6

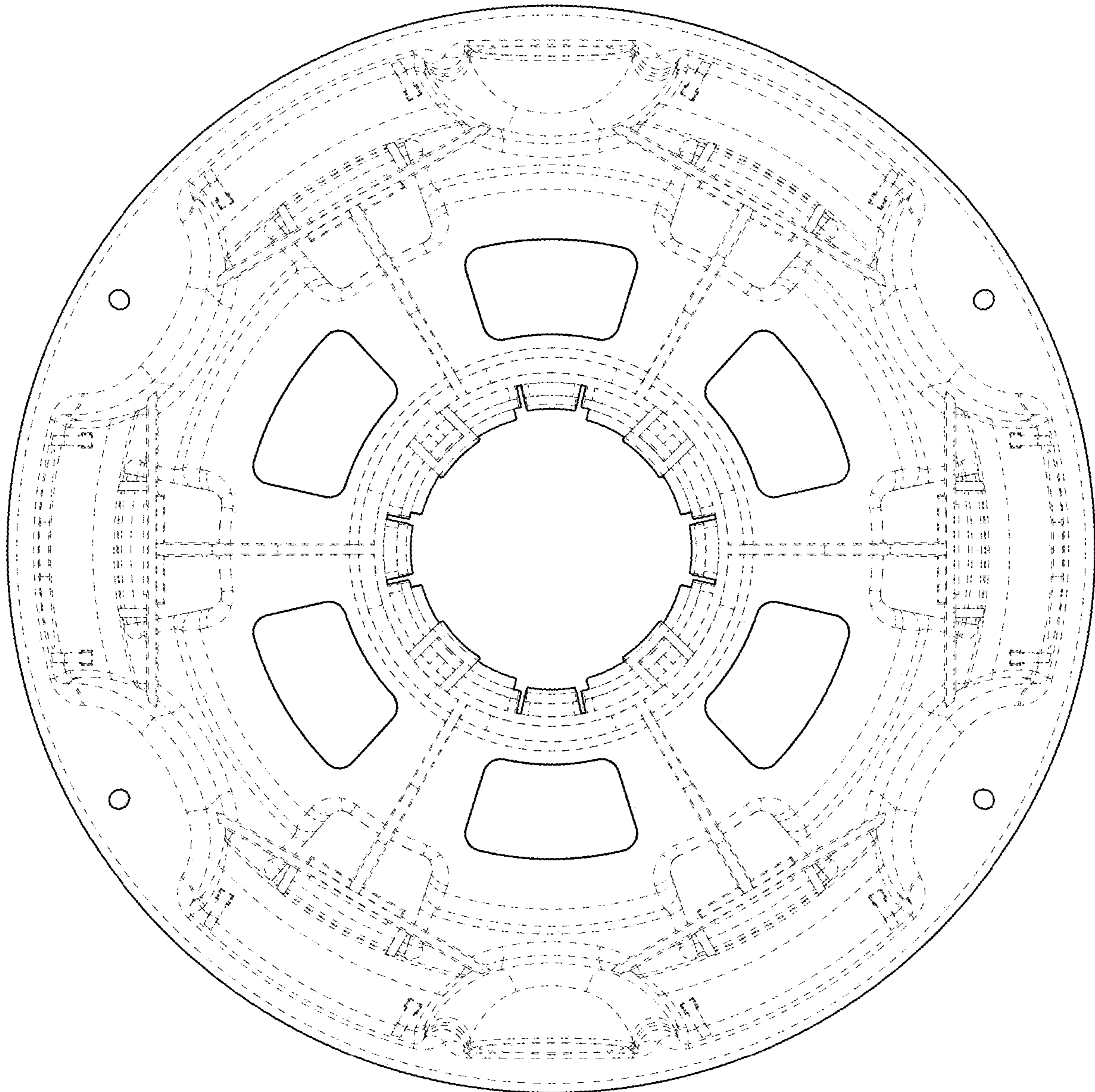


FIG.7