



US00D975819S

(12) **United States Design Patent**
Hanscom et al.

(10) **Patent No.:** **US D975,819 S**
(45) **Date of Patent:** **** Jan. 17, 2023**

- (54) **MURDER HORNET EXCLUDER**
- (71) Applicants: **Martin Hanscom**, Carlsbad, CA (US);
Eric Hanscom, Carlsbad, CA (US)
- (72) Inventors: **Martin Hanscom**, Carlsbad, CA (US);
Eric Hanscom, Carlsbad, CA (US)
- (**) Term: **15 Years**
- (21) Appl. No.: **29/739,086**
- (22) Filed: **Jun. 22, 2020**
- (51) **LOC (14) Cl.** **22-06**
- (52) **U.S. Cl.**
USPC **D22/122**
- (58) **Field of Classification Search**
USPC D22/119, 122; D25/48.8; 43/107, 114,
43/118-119, 124
CPC A01M 1/00; A01M 1/24
See application file for complete search history.

4,392,322 A *	7/1983	Kaveloski	A01M 1/02 43/118
D473,319 S *	4/2003	Martin	D25/48.8
D473,659 S *	4/2003	Martin	D25/48.8
D518,577 S *	4/2006	Bunting	D25/48.8
D535,406 S *	1/2007	Martin	D25/48.8
D562,465 S *	2/2008	Foreman	D25/48.8

* cited by examiner

Primary Examiner — Catherine R Oliver-Garcia
(74) *Attorney, Agent, or Firm* — Eric Hanscom

(57) **CLAIM**

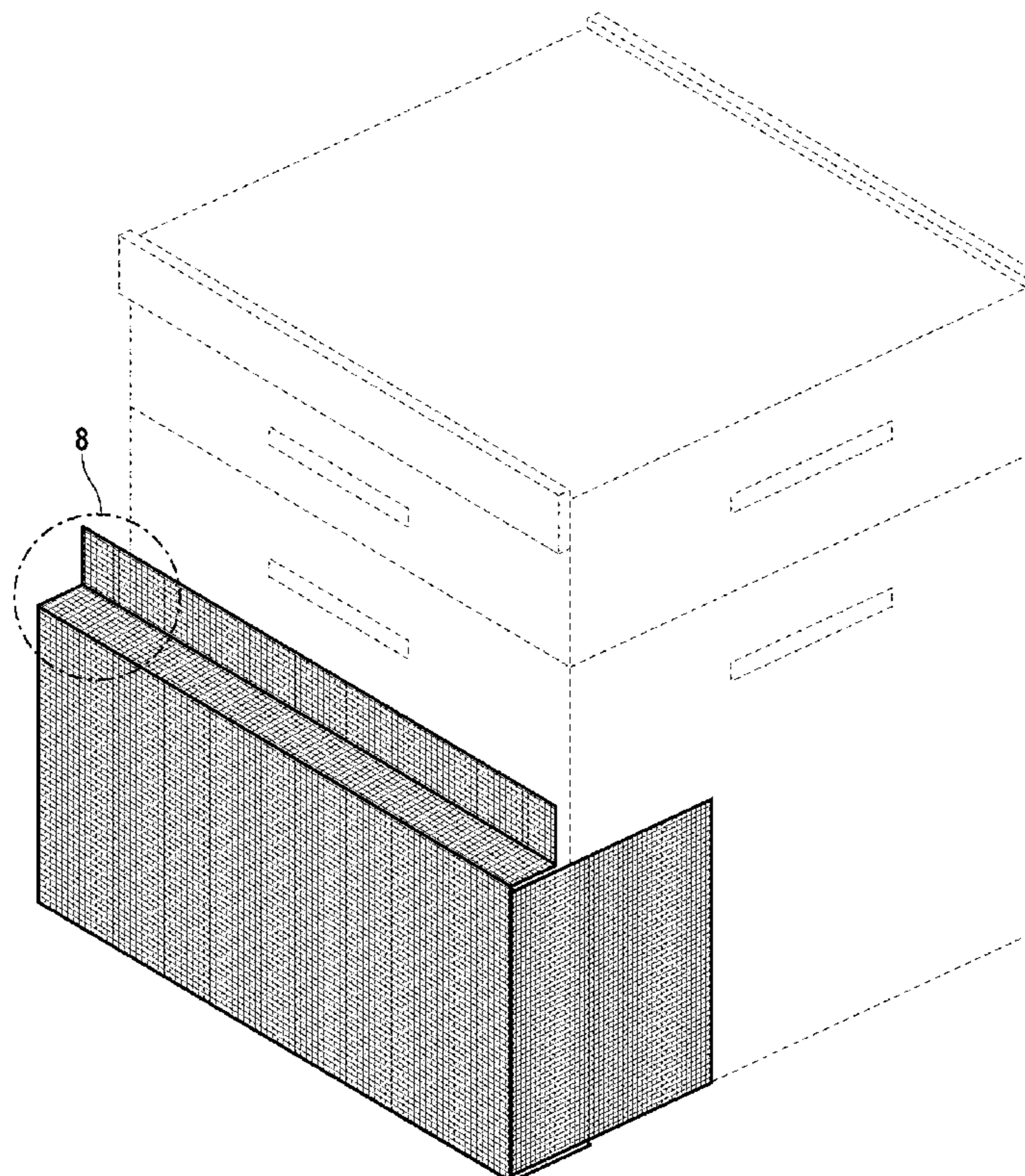
The ornamental design for a murder hornet excluder, as shown and described.

DESCRIPTION

FIG. 1 is a perspective view of a murder hornet excluder showing our new design, as it would appear attached to a honeybee hive;
 FIG. 2 is a front view thereof;
 FIG. 3 is a rear view thereof;
 FIG. 4 is a left-side view thereof;
 FIG. 5 is a right-side view thereof;
 FIG. 6 is a top view thereof;
 FIG. 7 is a bottom view thereof; and,
 FIG. 8 is a partial enlarged perspective view of the design shown in use.
 The dash-dot lines in FIG. 8 are for the purpose of depicting the boundary lines of the enlarged view and form no part of the claimed design.
 The broken line showing of a honeybee hive is included for the purpose of illustrating environmental structure only and forms no part of the claimed design.

- (56) **References Cited**
U.S. PATENT DOCUMENTS
- 441,287 A * 11/1890 Cox 43/119
- 554,122 A * 2/1896 Henry 43/119
- 568,185 A * 9/1896 Winslow 43/119
- 1,904,035 A * 4/1933 Webster E06B 9/52
160/12
- 3,077,050 A * 2/1963 Makara A01M 1/223
43/119

1 Claim, 7 Drawing Sheets



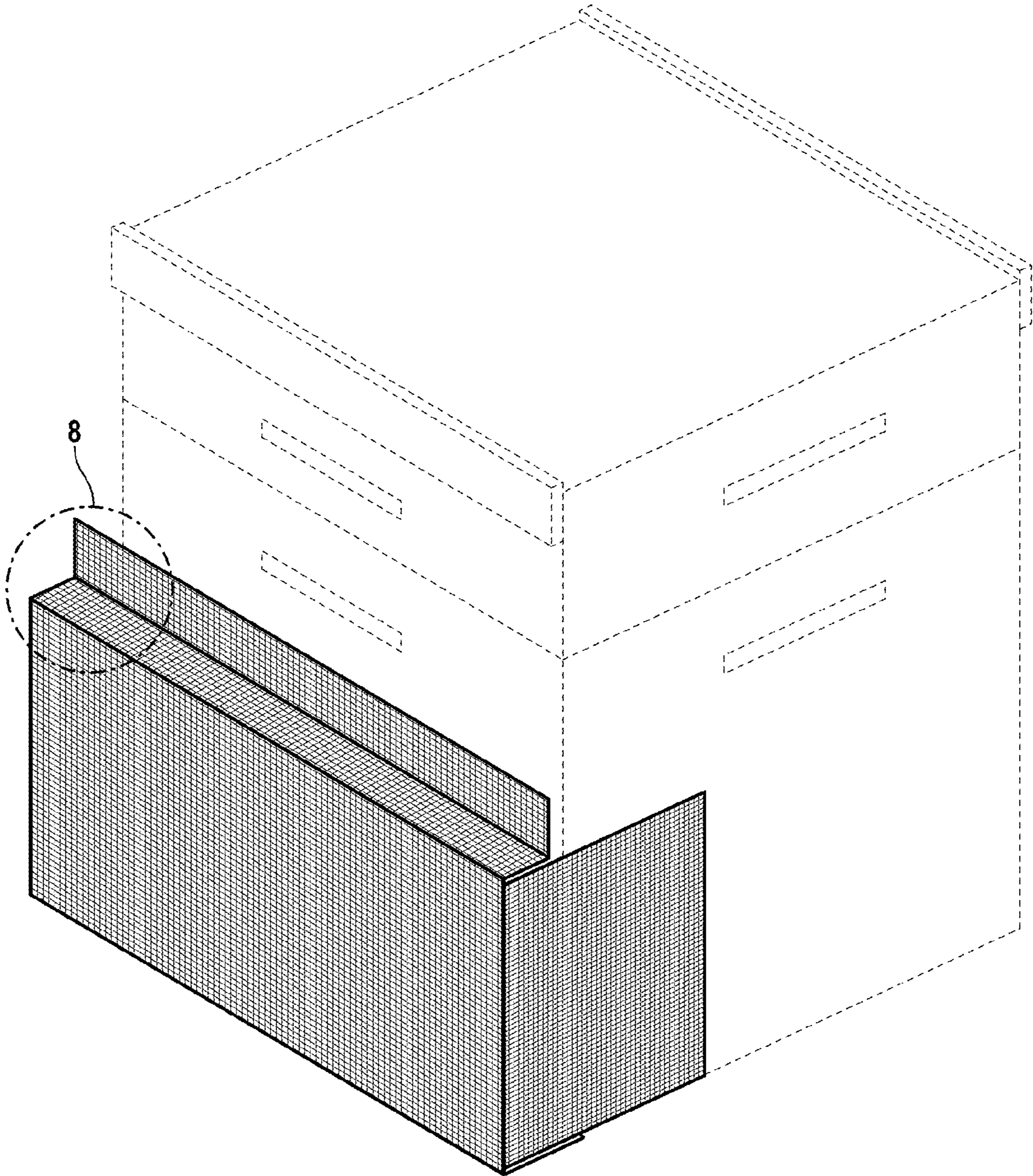


FIG. 1

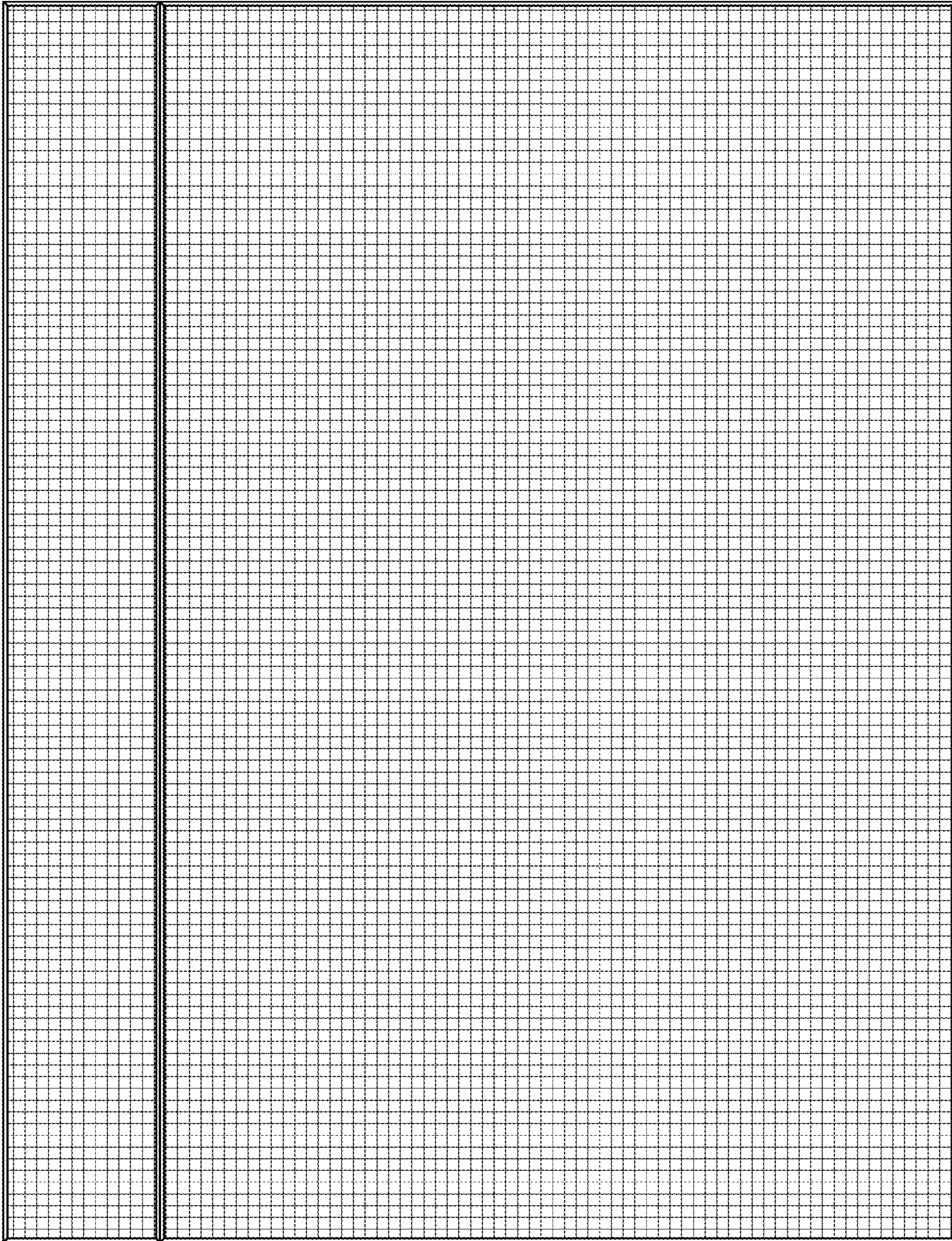


FIG. 2

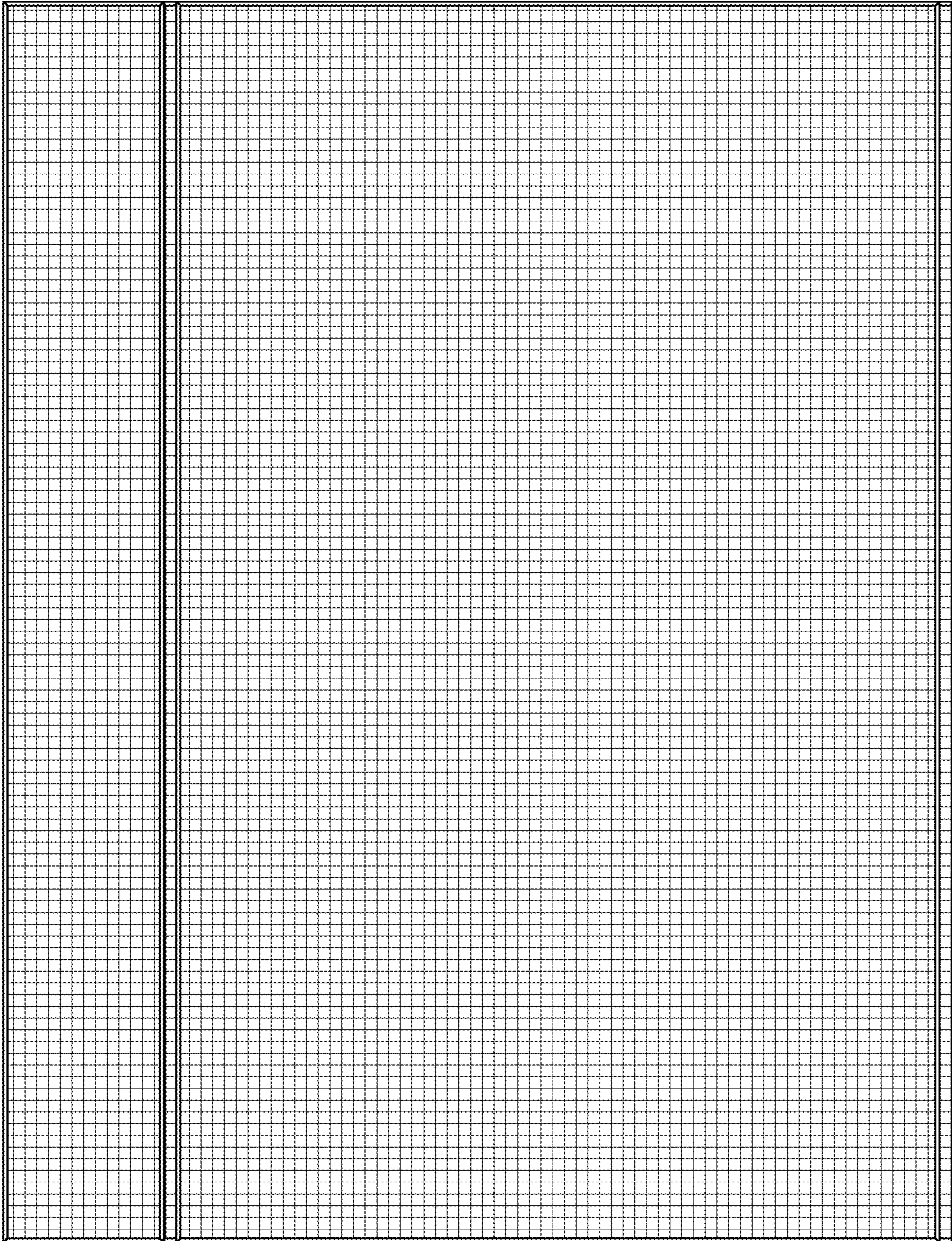


FIG. 3

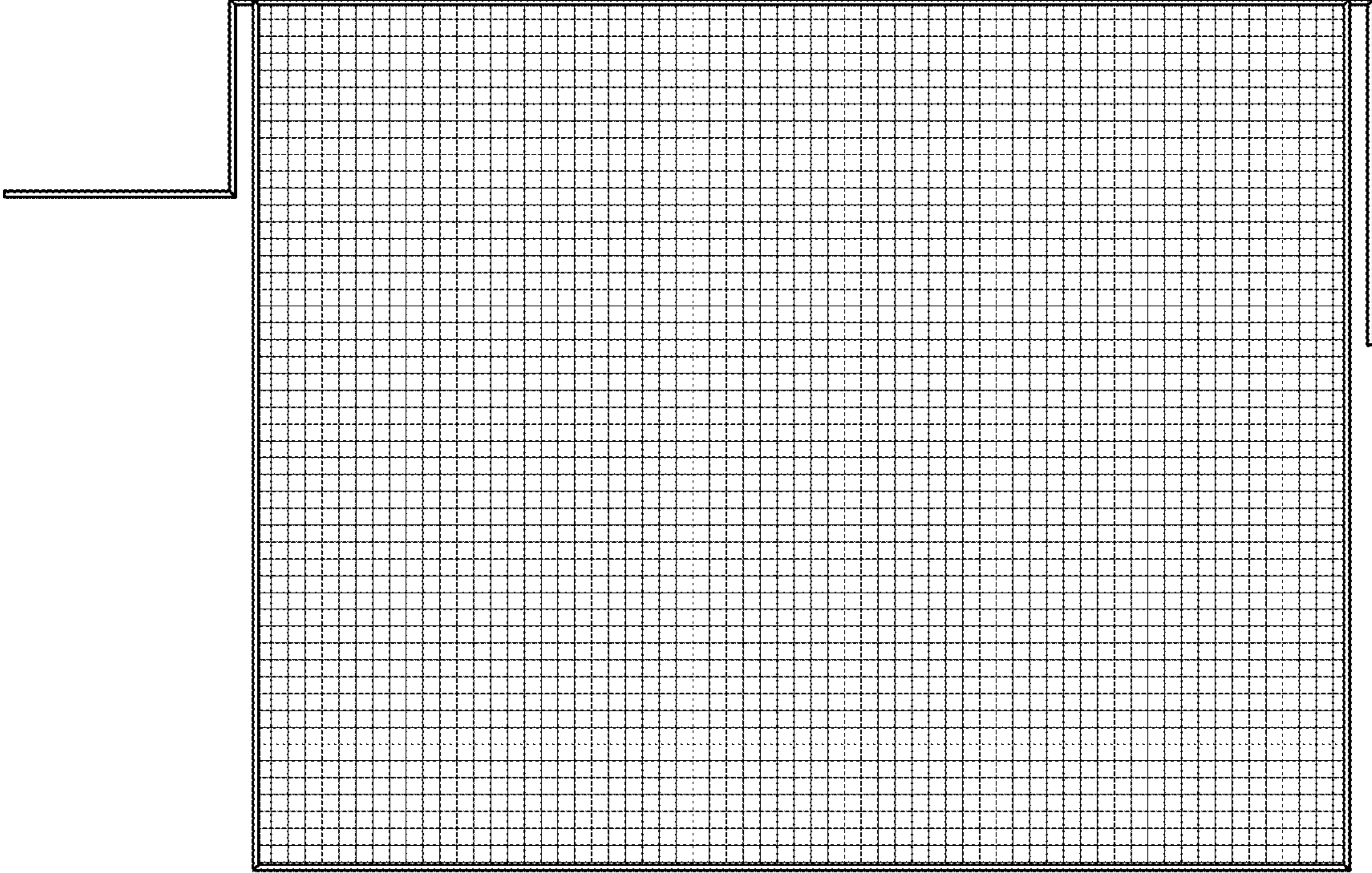


FIG. 5

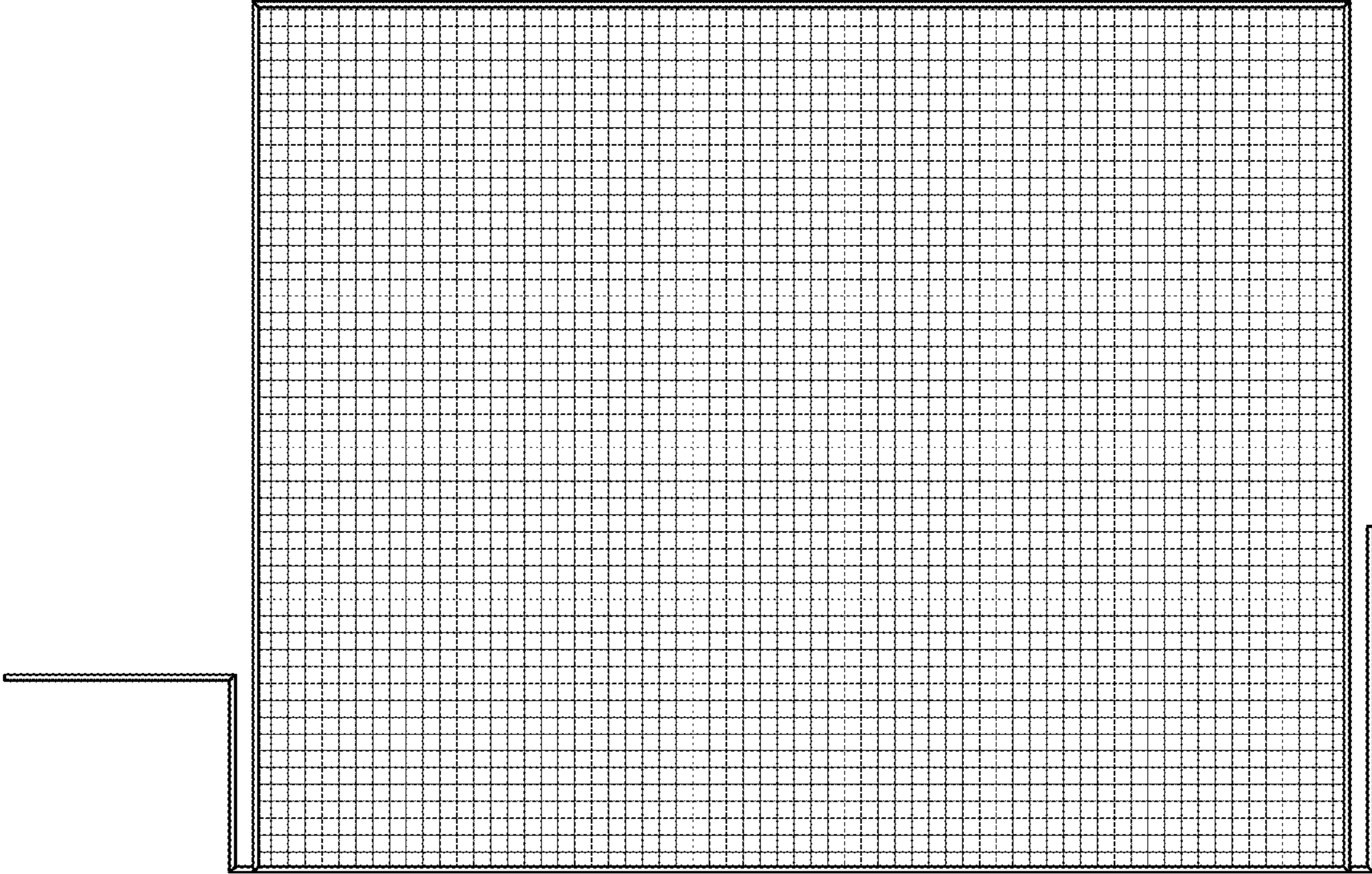


FIG. 4

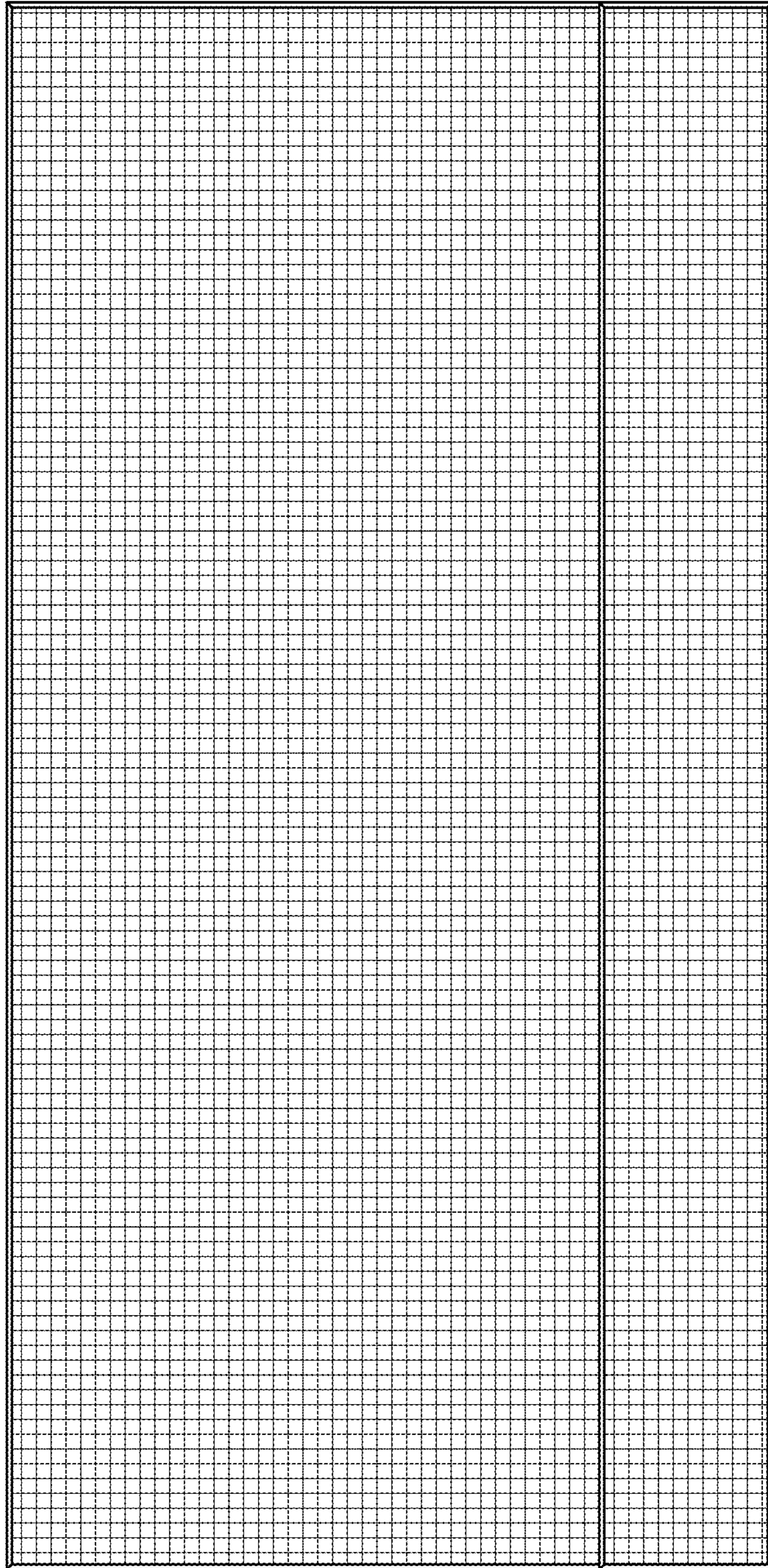


FIG. 6

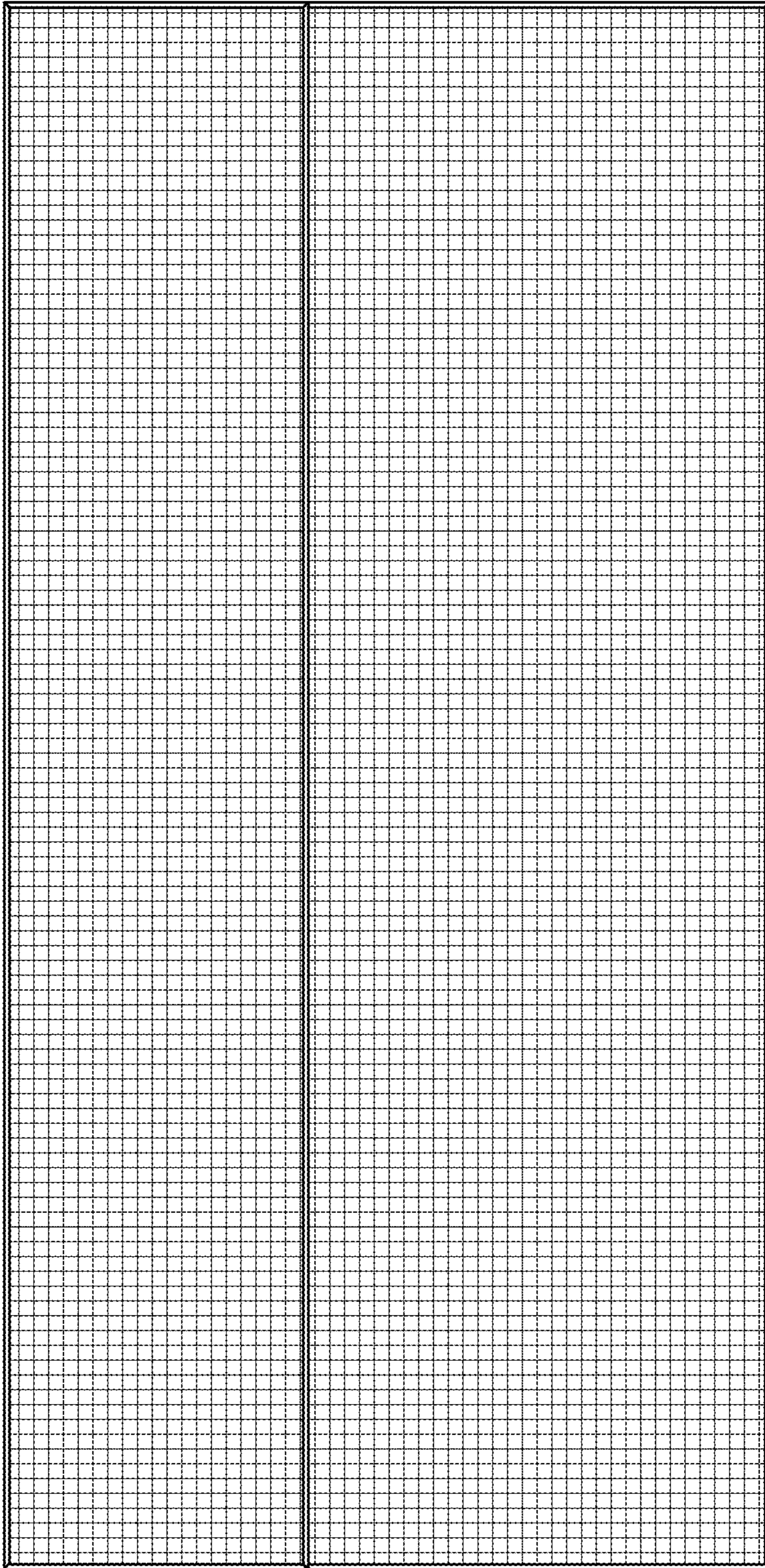


FIG. 7

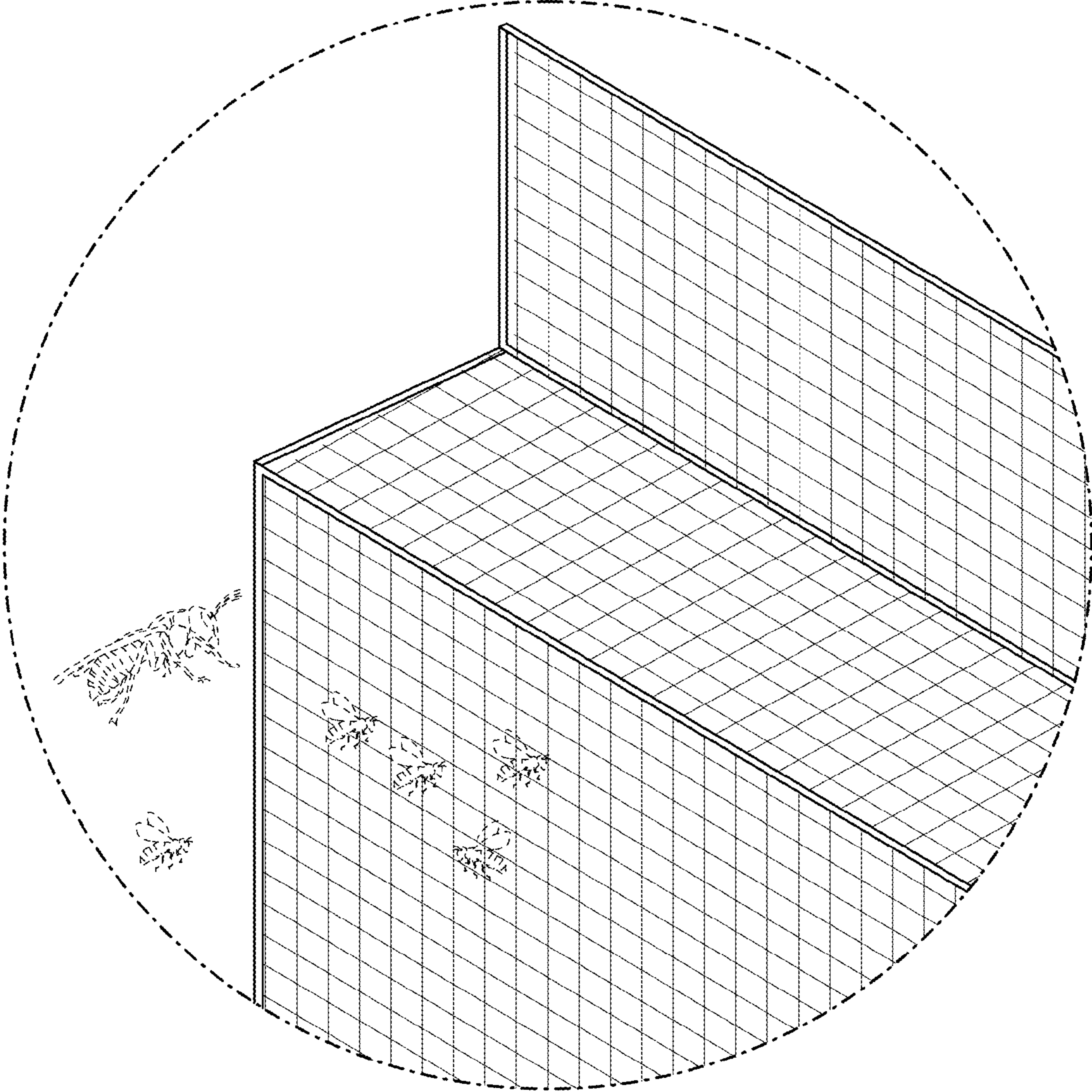


FIG. 8