



US00D975818S

(12) **United States Design Patent**
Hamilton et al.

(10) **Patent No.:** **US D975,818 S**

(45) **Date of Patent:** **** Jan. 17, 2023**

(54) **GUN SIGHT DEVICE**

D881,320 S * 4/2020 Larsson D22/109
D906,465 S * 12/2020 Horton D22/109
11,391,904 B2 * 7/2022 Heath G02B 5/32

(Continued)

(71) Applicants: **David M. Hamilton**, Barneveld, WI (US); **Rob Morell**, Barneveld, WI (US); **Michael Rosen**, Barneveld, WI (US); **Fred Collin**, Ann Arbor, MI (US)

FOREIGN PATENT DOCUMENTS

(72) Inventors: **David M. Hamilton**, Barneveld, WI (US); **Rob Morell**, Barneveld, WI (US); **Michael Rosen**, Barneveld, WI (US); **Fred Collin**, Ann Arbor, MI (US)

CA 198100 * 5/2022
HK 2016804-0001 * 1/2021

(Continued)

(73) Assignee: **SHELTERED WINGS, INC.**, Barneveld, WI (US)

VortexOptics, Online Product Page. Date: Nov. 16, 2020. Date Accessed: Aug. 10, 2022. Accessed on the Internet URL: <https://vortexoptics.com/vortex-amg-uh1.gen2-holographic-sight.html> (Year: 2020).*

(Continued)

(**) Term: **15 Years**

(21) Appl. No.: **29/727,275**

Primary Examiner — S. Bryan Reinholdt, Jr.

(22) Filed: **Mar. 10, 2020**

Assistant Examiner — Kaitlan N Oliver

(51) **LOC (14) Cl.** **22-01**

(74) *Attorney, Agent, or Firm* — Husch Blackwell LLP

(52) **U.S. Cl.**
USPC **D22/109**

(57) **CLAIM**

(58) **Field of Classification Search**
USPC D22/108, 109
CPC F41G 1/00; F41G 1/32
See application file for complete search history.

The ornamental design for a gun sight device, as shown and described.

DESCRIPTION

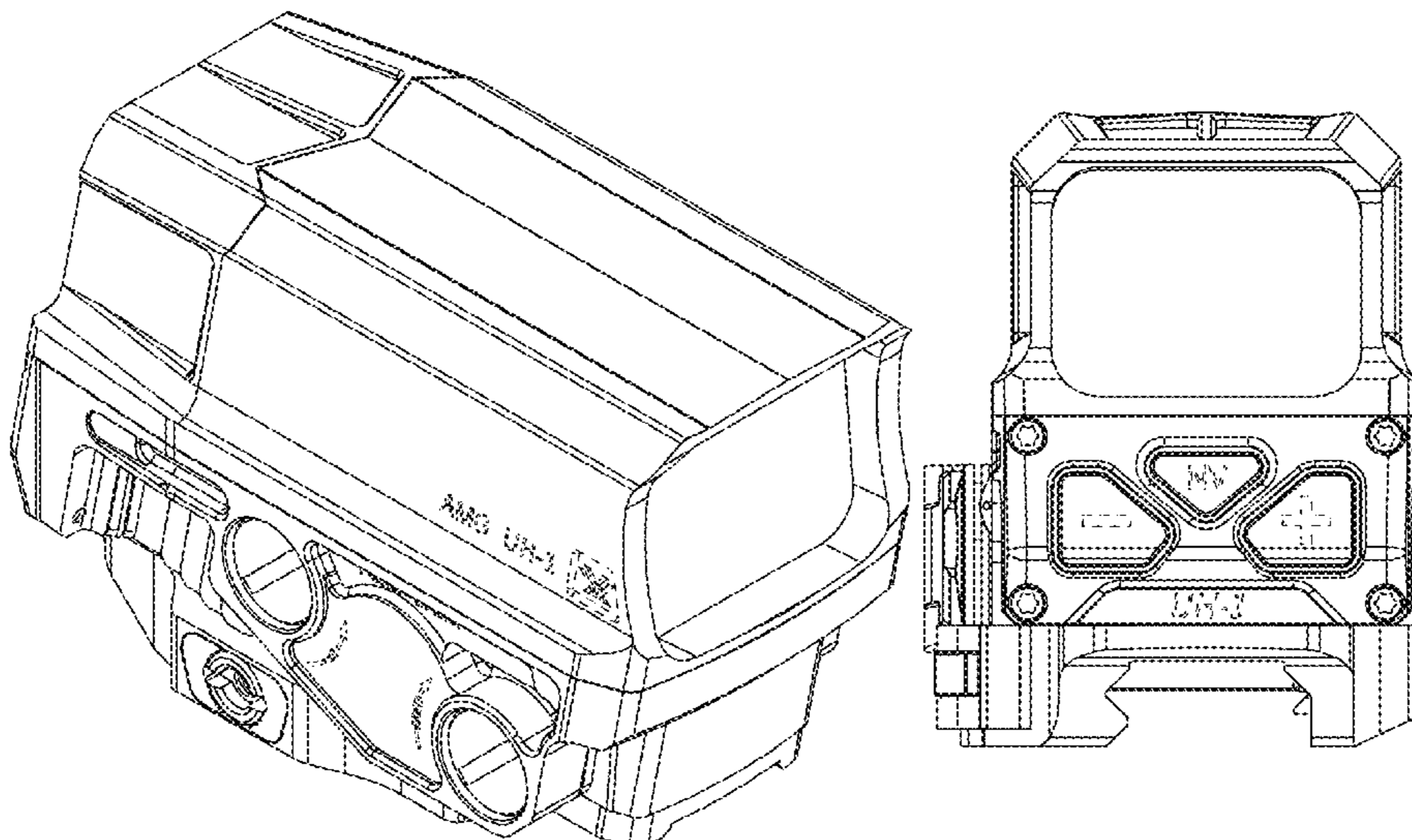
(56) **References Cited**

U.S. PATENT DOCUMENTS

D378,936 S * 4/1997 DePaoli D22/109
D662,566 S * 6/2012 Estes D22/109
D704,296 S * 5/2014 Cheng D22/109
D730,477 S * 5/2015 Huynh D22/109
D733,832 S * 7/2015 Crispin D22/109
D747,431 S * 1/2016 Cheng D22/109
D784,480 S * 4/2017 Oz D22/109
D810,854 S * 2/2018 Lapham, IV D22/109
D847,292 S * 4/2019 Hoff D22/109
D856,459 S * 8/2019 Hamilton D22/109
D875,875 S * 2/2020 Jung D22/109
D881,319 S * 4/2020 Larsson D22/109

FIG. 1 is a front top perspective view of a gun sight device showing our new design;
FIG. 2 is a front elevation view thereof;
FIG. 3 is a rear elevation view thereof;
FIG. 4 is a right elevation view thereof;
FIG. 5 is a left elevation view thereof;
FIG. 6 is a top plan view thereof;
FIG. 7 is a bottom plan view thereof;
FIG. 8 is a front bottom perspective view thereof; and,
FIG. 9 is a rear top perspective view thereof.
The broken lines in the drawings depict portions of the gun sight device that form no part of the claimed design.

1 Claim, 5 Drawing Sheets



(56)

References Cited

U.S. PATENT DOCUMENTS

2016/0033232 A1* 2/2016 Cheng F41G 1/345
42/114
2016/0102943 A1* 4/2016 Teetzel F41G 11/003
42/113
2016/0313089 A1* 10/2016 Collin F41G 1/30
2018/0292168 A1* 10/2018 Borrico F41G 1/30
2021/0157119 A1* 5/2021 Heath F41G 1/30
2021/0157267 A1* 5/2021 Heath G02B 27/34

FOREIGN PATENT DOCUMENTS

KR 301153349.00 * 3/2022
NZ 428008-0001 * 3/2020
TW 214540-0001 * 10/2021

OTHER PUBLICATIONS

New Vortex UH-1 "Huey" Gen 2, Eotech killer?!, YouTube-Garand
Thumb Channel Publication Date: Aug. 4, 2020. Date Accessed:
Aug. 10, 2022. Accessed on the YouTube URL: <https://www.youtube.com/watch?v=gcLAdkDSIEQ> (Year: 2020).*

* cited by examiner

FIG. 1

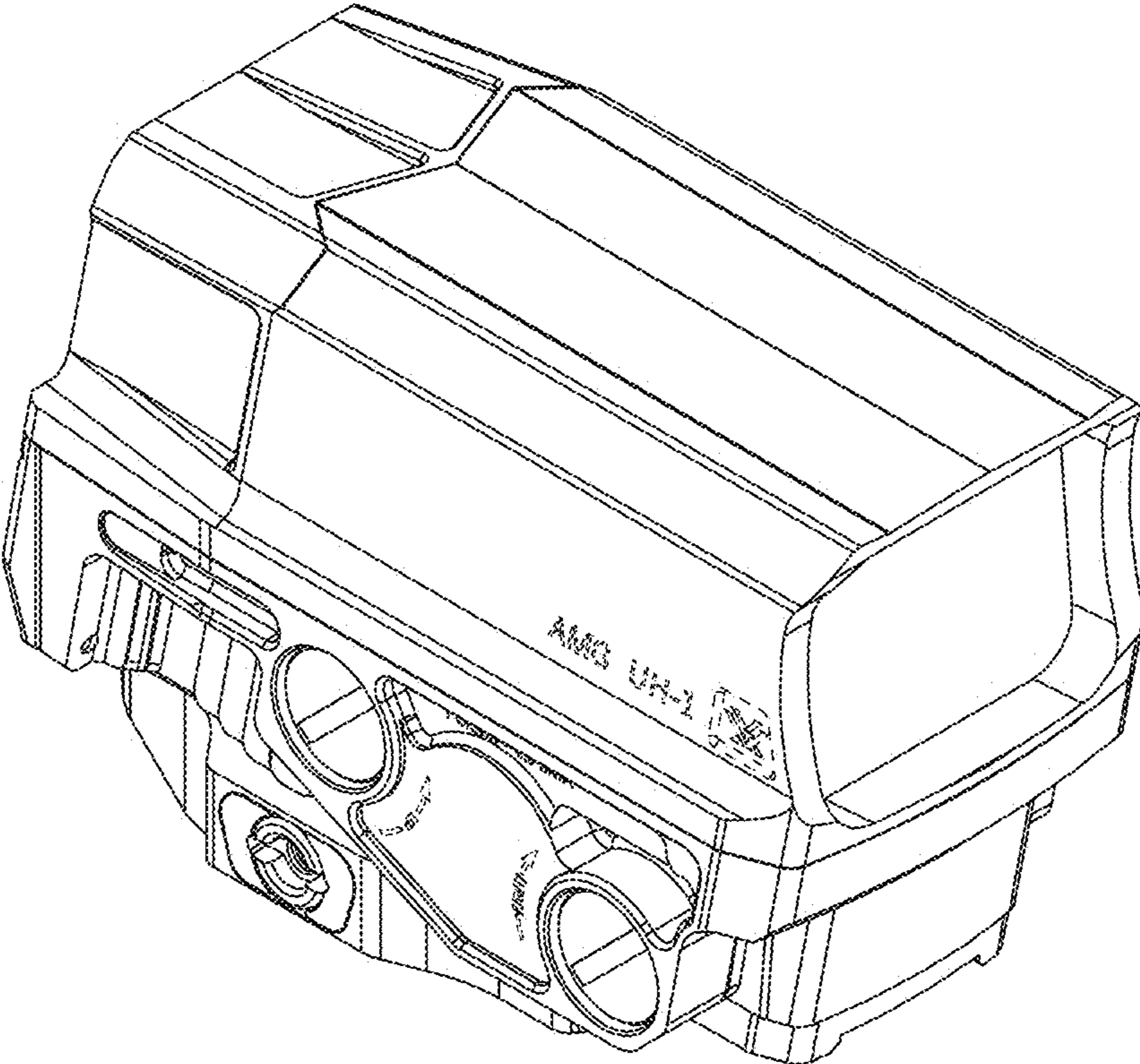


FIG. 2

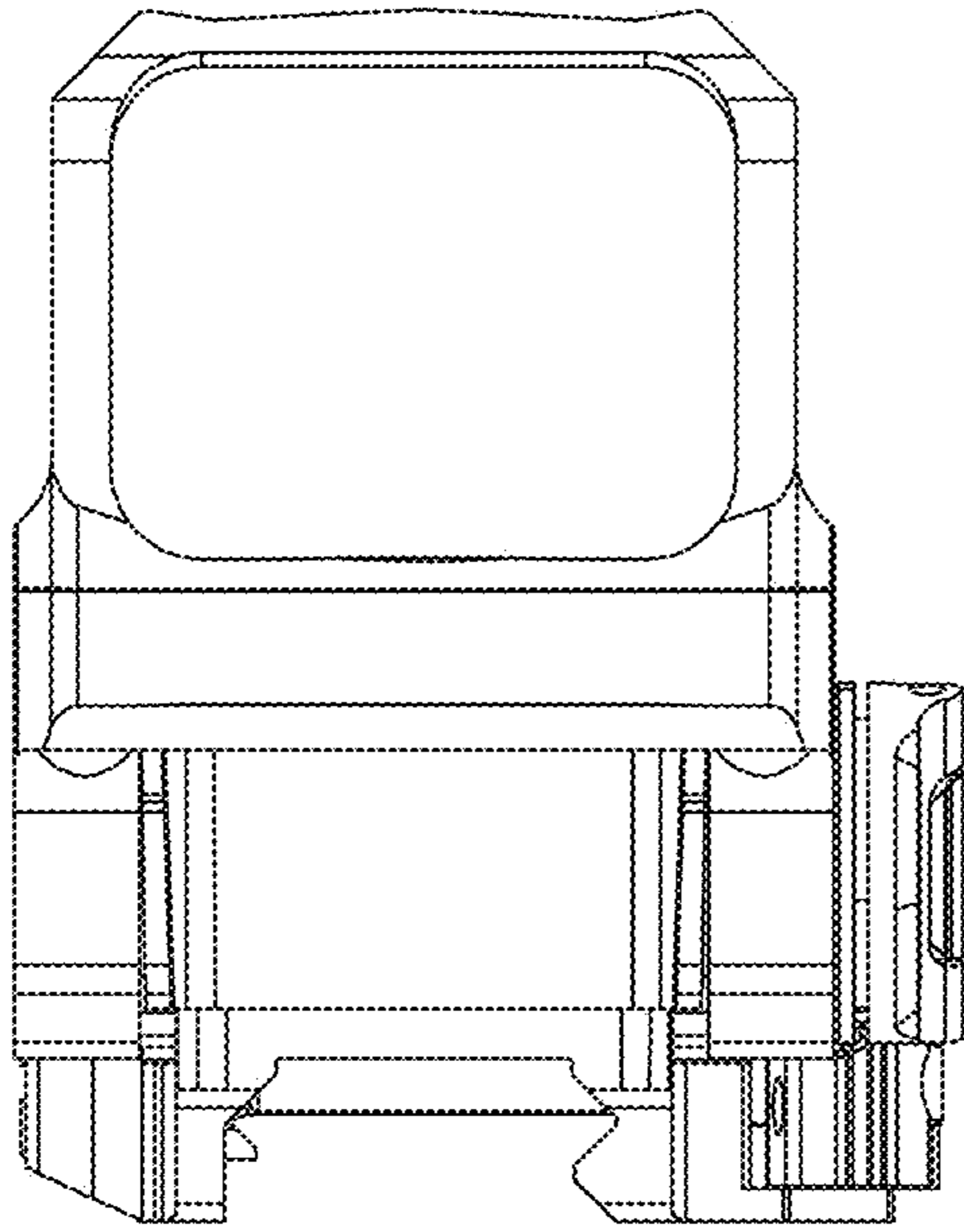


FIG. 3

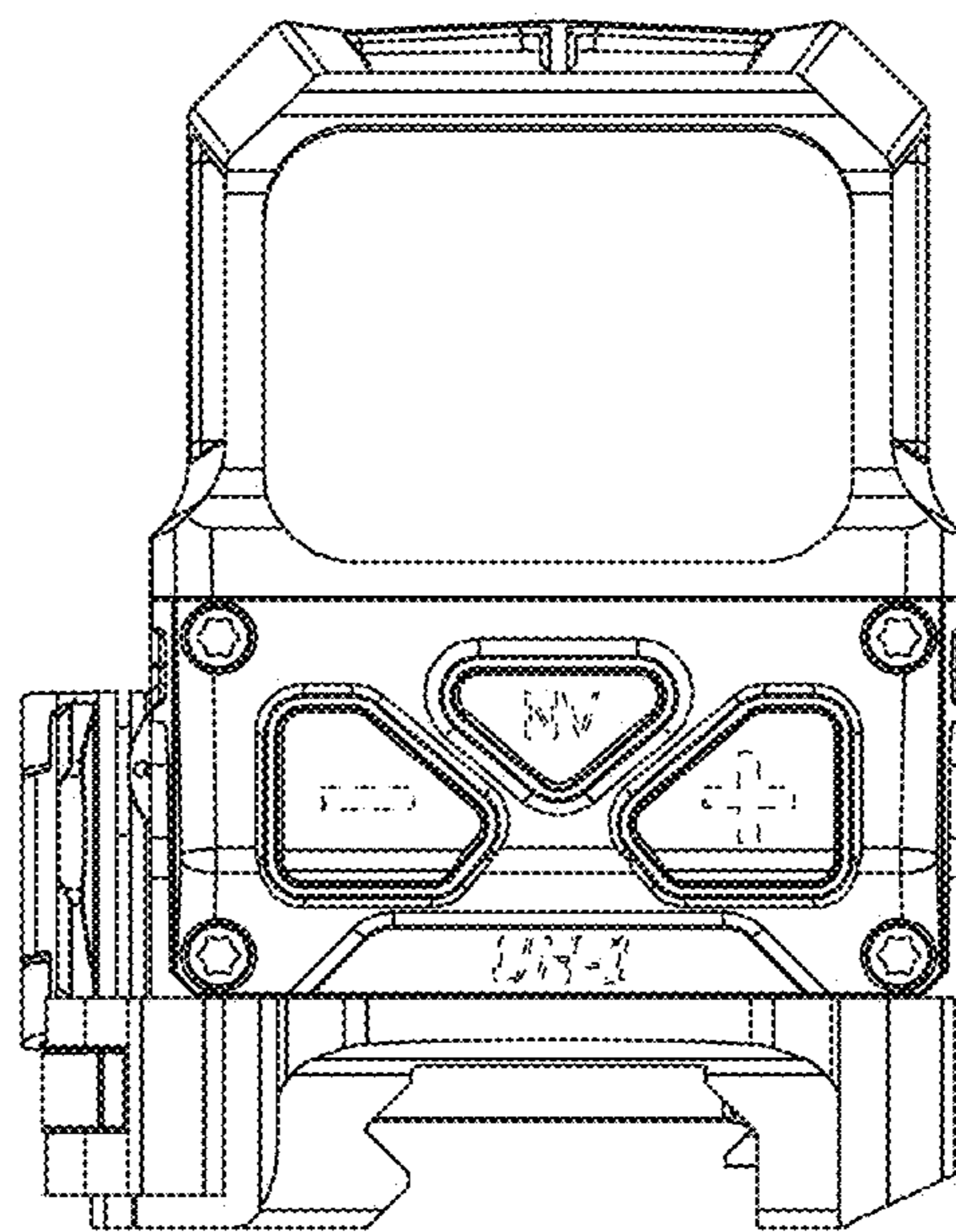


FIG. 4

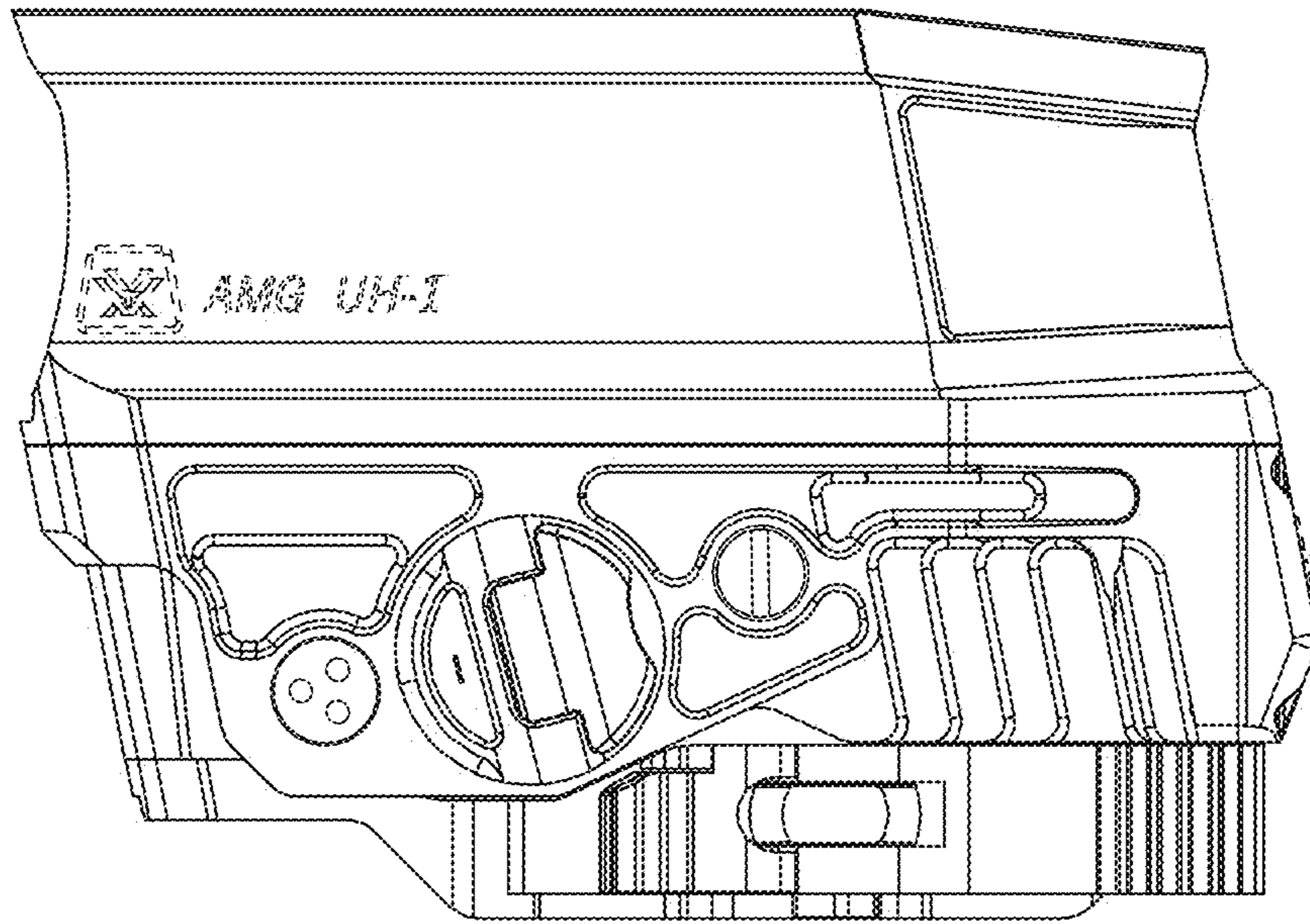


FIG. 5

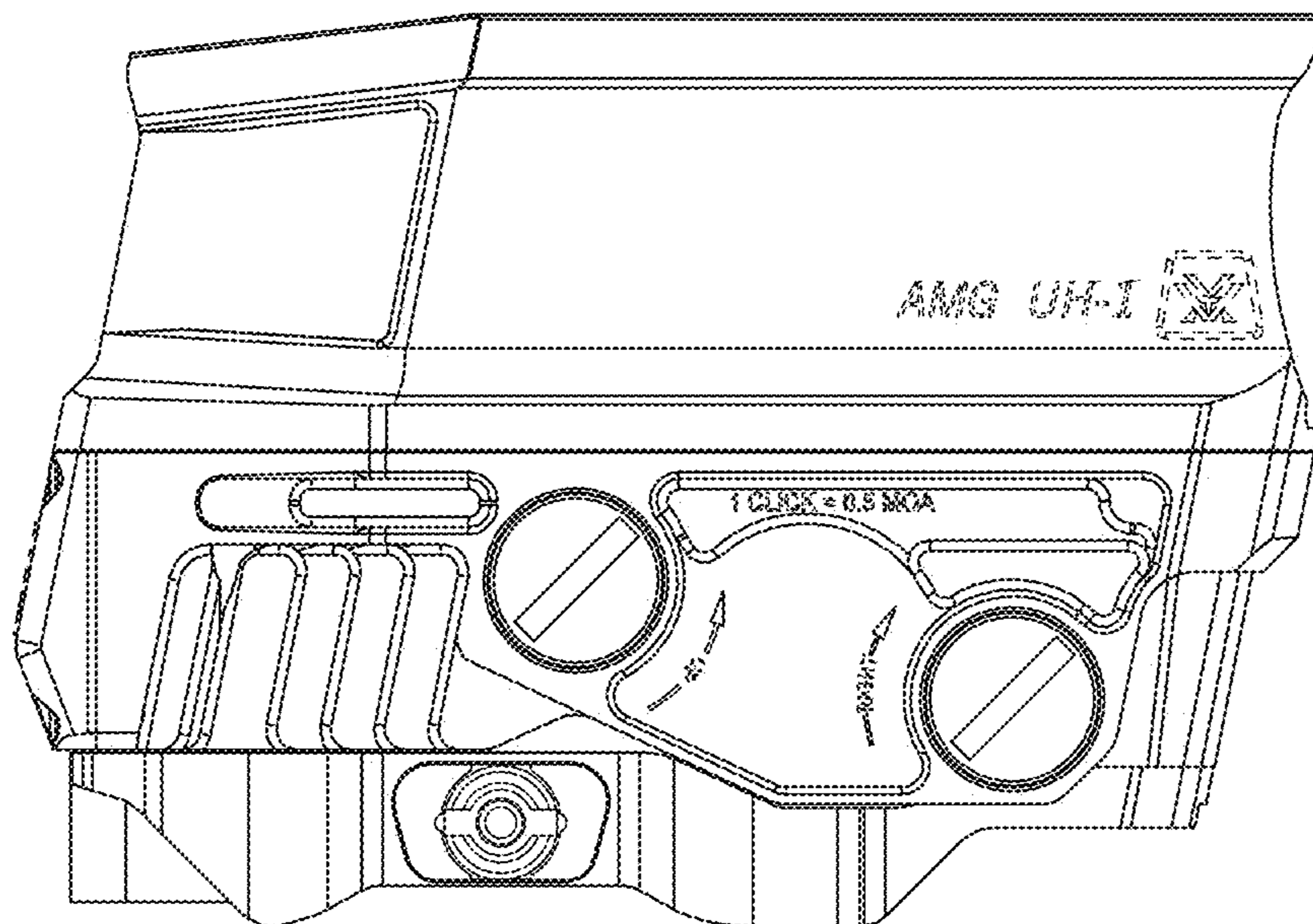


FIG. 6

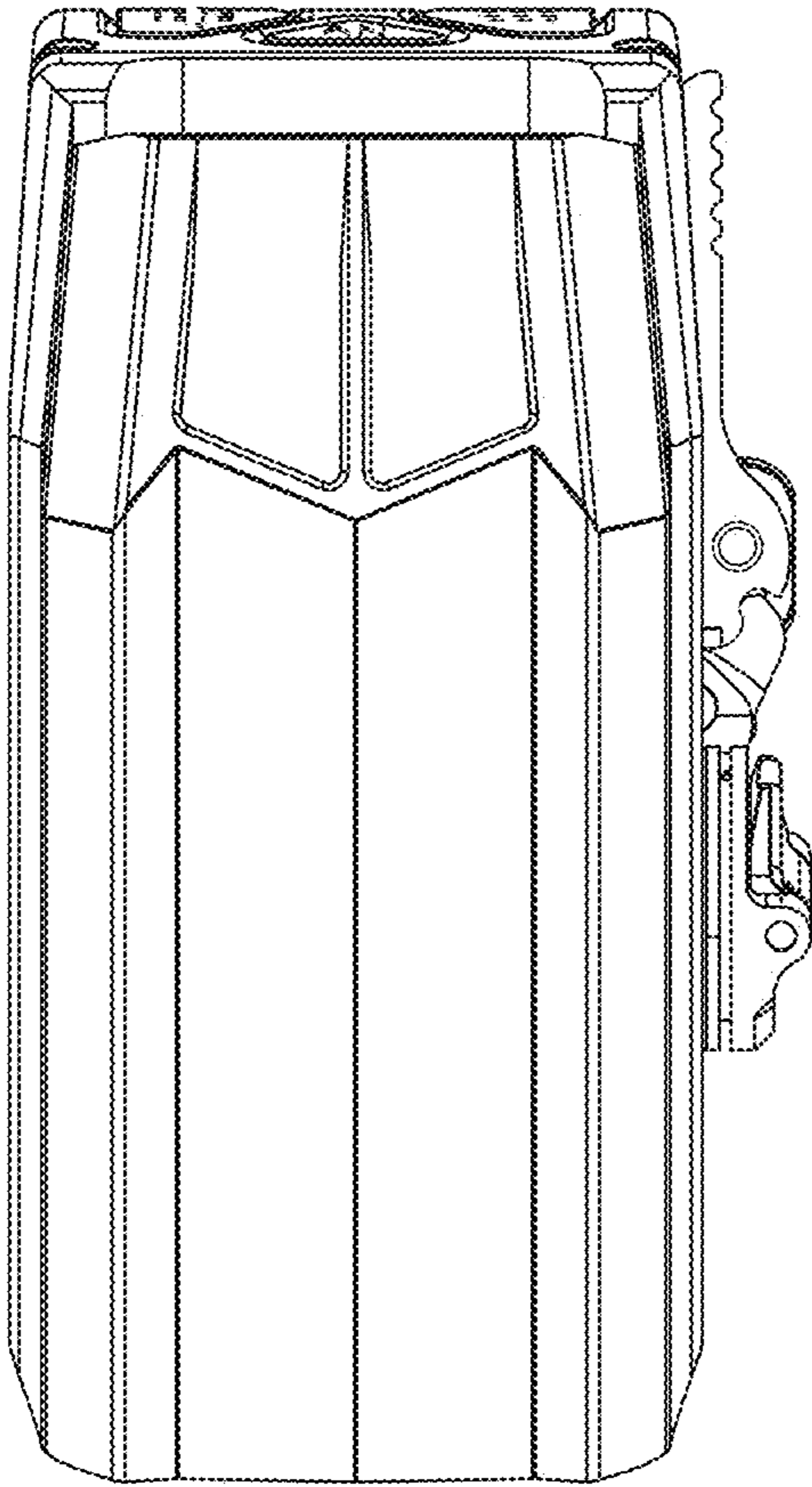


FIG. 7

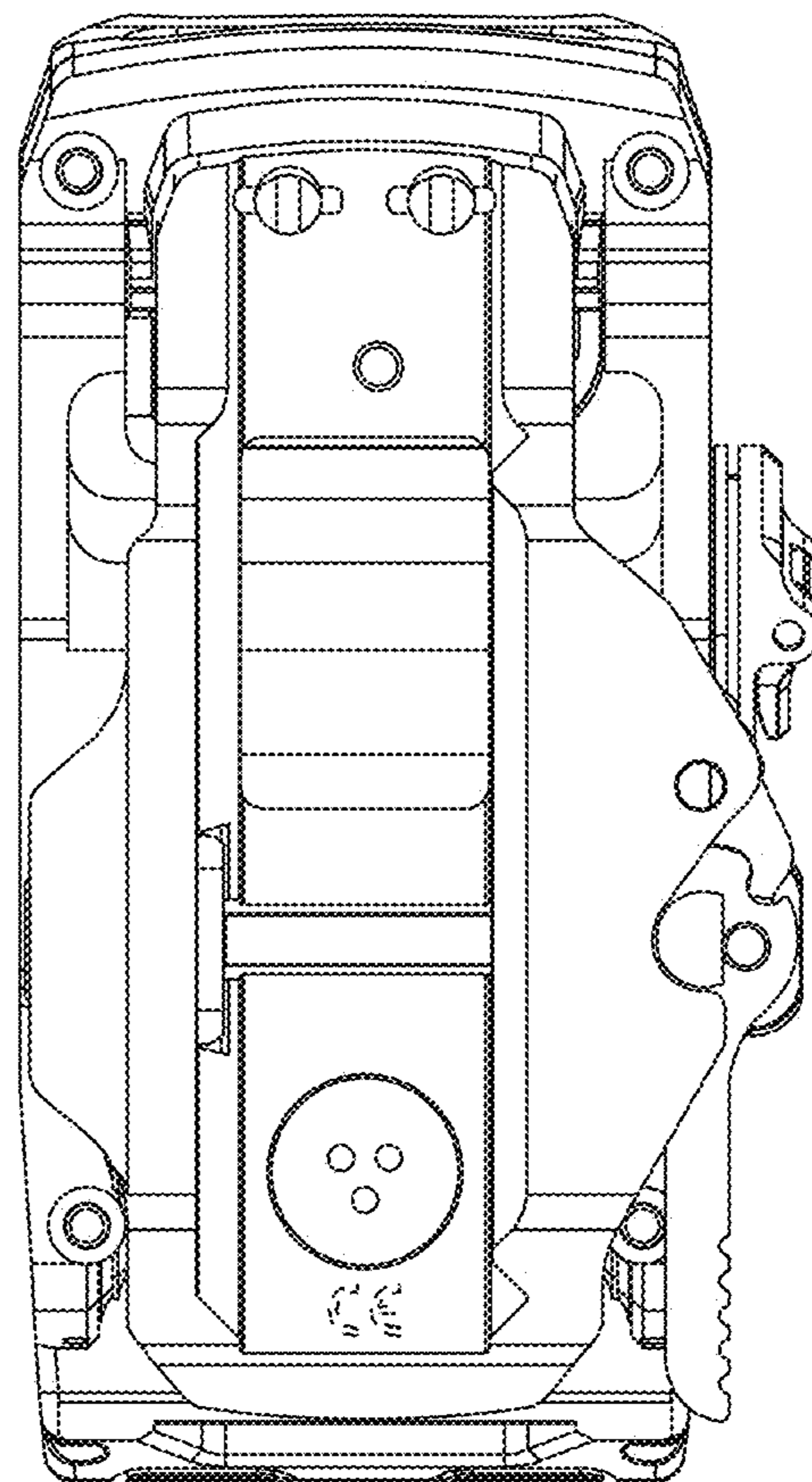


FIG. 8

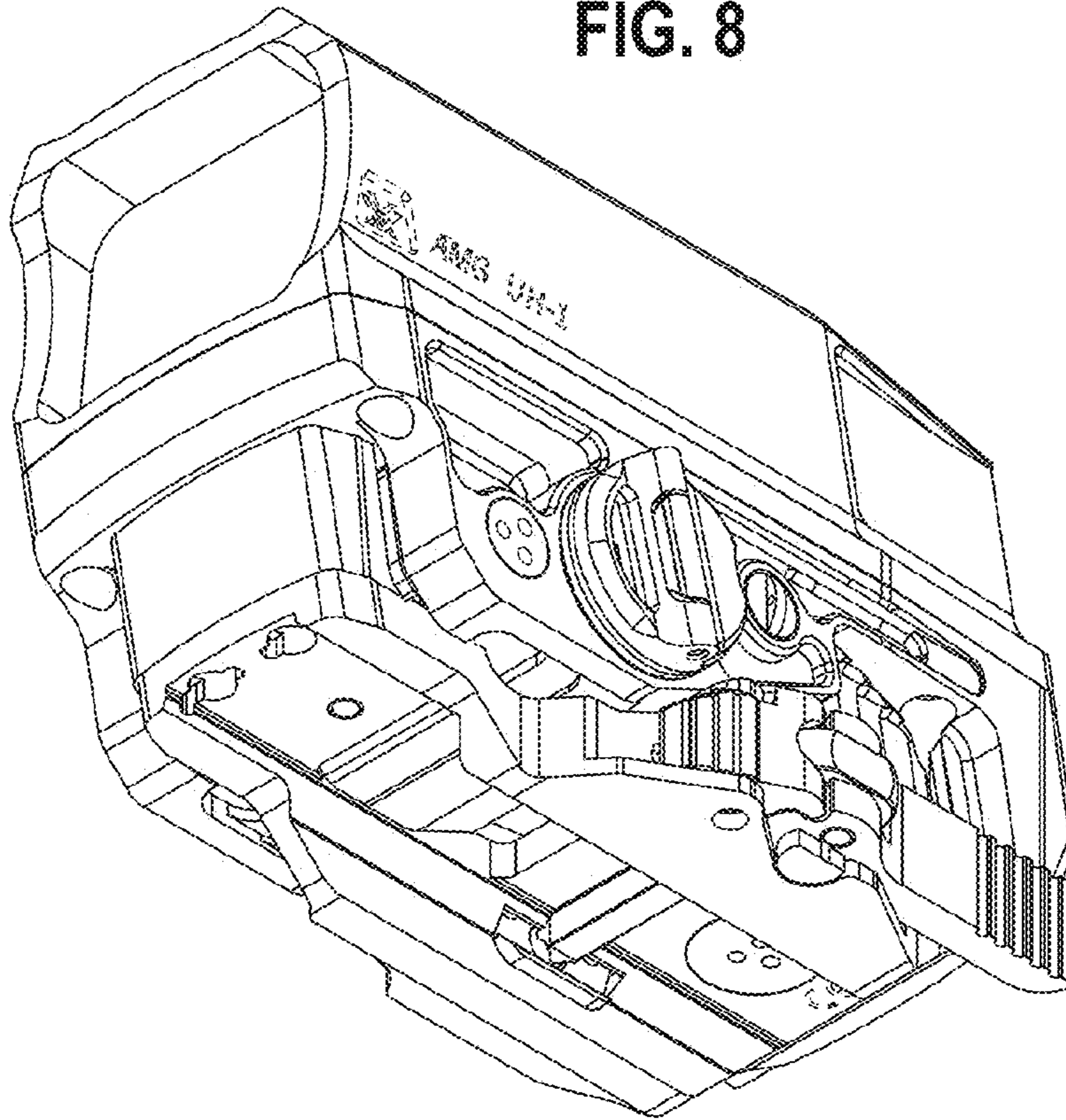


FIG. 9

