



US00D975817S

(12) **United States Design Patent**  
**Parrish**

(10) **Patent No.:** **US D975,817 S**  
(45) **Date of Patent:** **\*\* Jan. 17, 2023**

(54) **FLAT VERTICAL FIREARM GRIP**

(71) Applicant: **Colby David Parrish**, Clovis, NM (US)

(72) Inventor: **Colby David Parrish**, Clovis, NM (US)

(\*\*) Term: **15 Years**

(21) Appl. No.: **29/846,396**

(22) Filed: **Jul. 15, 2022**

(51) **LOC (14) Cl.** ..... **22-01**

(52) **U.S. Cl.**  
USPC ..... **D22/108**

(58) **Field of Classification Search**  
USPC ..... D22/100, 101, 108  
CPC ..... F41C 23/16; F41C 23/14  
See application file for complete search history.

(56) **References Cited**

**U.S. PATENT DOCUMENTS**

7,900,390	B2	3/2011	Moody	
8,151,504	B1	4/2012	Aiston	
8,215,047	B2	7/2012	Ash	
8,720,098	B2	5/2014	Burress	
D722,125	S	2/2015	Zayatz	
D733,830	S *	7/2015	Chvala	F41C 23/10
				D22/108
D745,628	S *	12/2015	Barfoot	D22/108
D745,629	S	12/2015	Barfoot	
D804,604	S *	12/2017	Shelton	D22/108
D814,594	S *	4/2018	Saadon	D22/108
10,018,446	B2	7/2018	Derousse	
D826,361	S *	8/2018	Cheng	D22/108
D854,644	S *	7/2019	Shelton	D22/108
D873,369	S *	1/2020	Shelton	D22/108
D876,572	S *	2/2020	Ding	D22/108
2010/0139144	A1	6/2010	Fitzpatrick	
2015/0300775	A1 *	10/2015	Combs	F41A 35/06
				42/72
2016/0245616	A1 *	8/2016	Derousse	F41C 23/16

**OTHER PUBLICATIONS**

“Worker Angled Foregrip” [online]. foamblastshop.com [Retrieved on Sep. 10, 2022]. Retrieved from the Internet: <https://foamblastshop.com/product/worker-angled-foregrip/>.\*

(Continued)

*Primary Examiner* — Mojtaba Tehrani

(74) *Attorney, Agent, or Firm* — Peacock Law P.C.; Justin R. Jackson

(57) **CLAIM**

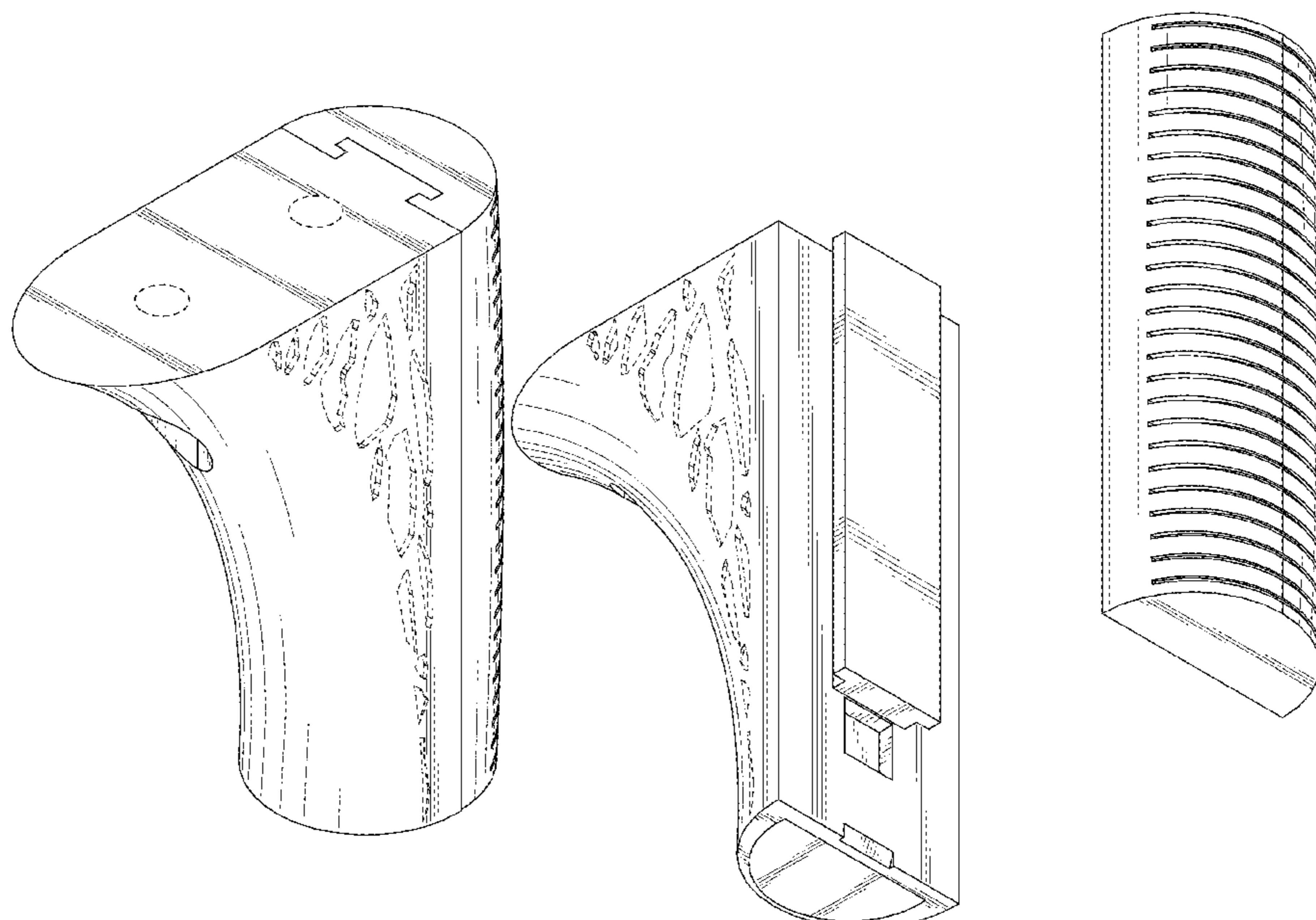
The ornamental design for a flat vertical firearm grip, as shown and described.

**DESCRIPTION**

FIG. 1 is a top front perspective view of a flat vertical firearm grip showing my new design;  
 FIG. 2 is a bottom rear perspective view thereof;  
 FIG. 3 is a front elevational view thereof;  
 FIG. 4 is a rear elevational view thereof;  
 FIG. 5 is a right elevational view thereof;  
 FIG. 6 is a left elevational view thereof;  
 FIG. 7 is a top plan view thereof;  
 FIG. 8 is a bottom plan view thereof;  
 FIG. 9 is a cross sectional view taken along line 9-9 shown in FIG. 4;  
 FIG. 10 is a reduced exploded top front perspective view thereof; and,  
 FIG. 11 is a reduced exploded bottom rear perspective view thereof.

The broken line showing decorative patterns in FIGS. 1, 2, 5, 6, 10 and 11 and mounting holes in FIGS. 1 and 7-10 is included for the purpose of illustrating environmental structure and forms no part of the claimed design.

**1 Claim, 11 Drawing Sheets**



(56)

**References Cited**

OTHER PUBLICATIONS

“Angled Vertical Grip with Cable Management—Long or Short (Picatinny)” [online]. strikeindustries.com [Retrieved on Sep. 10, 2022]. Retrieved from the Internet: <<https://www.strikeindustries.com/si-ar-cmag-rail.html>>.\*

“SVG, M-LOK” [online]. slateblackindustries.com [Retrieved on Sep. 10, 2022]. Retrieved from the Internet: <<https://www.slateblackindustries.com/vfg-m-lok.html>>.\*

“MGPCQB Python Vertical Grip” [online]. dlptactical.com [Retrieved on Sep. 10, 2022]. Retrieved from the Internet: <<https://www.dlptactical.com/products/mgpcqb-python-vertical-grip>>.\*

GripStop—Standard Length M-LOK, Retrieved from Internet, 2013 <URL: <https://truenorth-usa.com/product/gripstop-standard-length-m-lok/>>.

\* cited by examiner

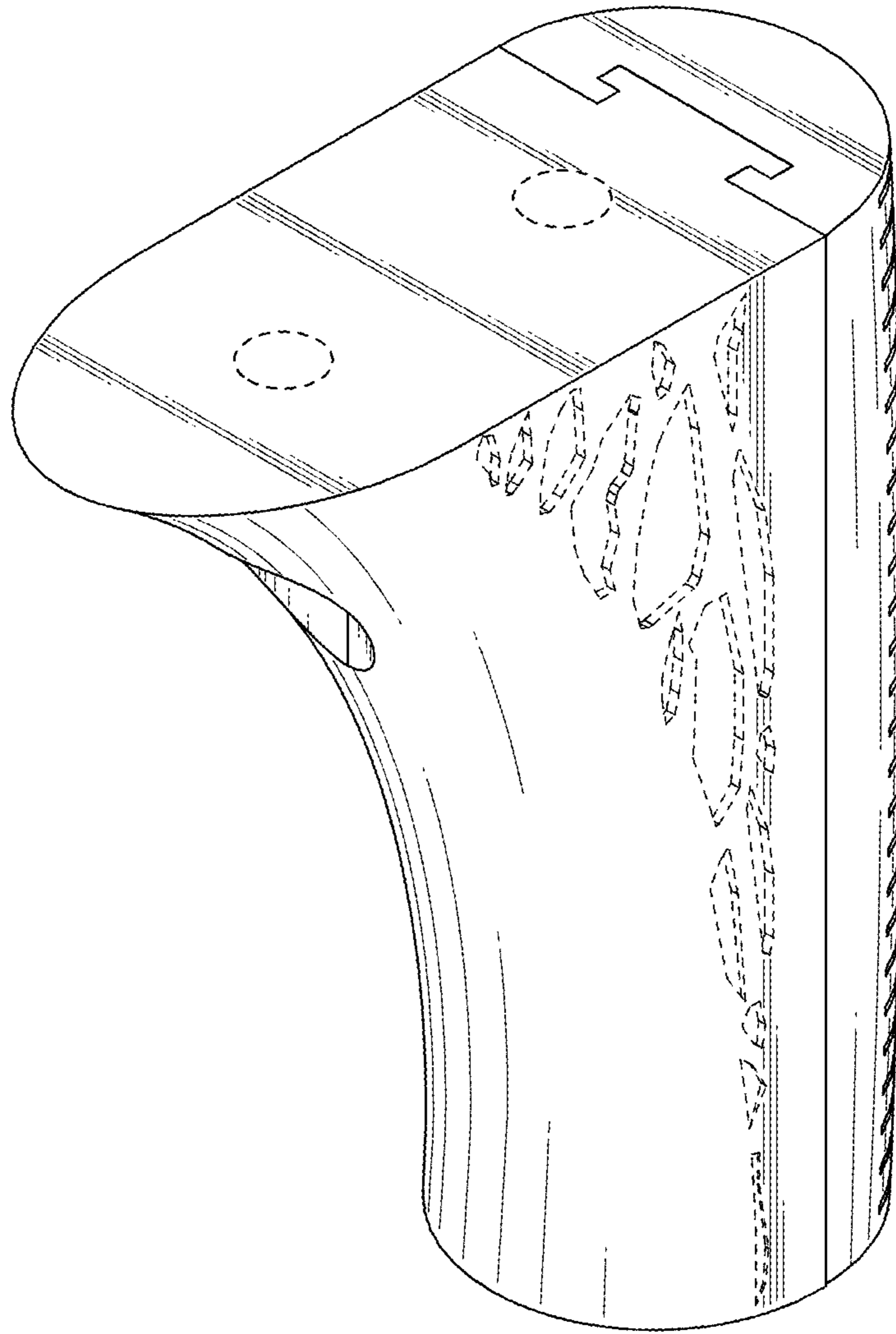


FIG. 1

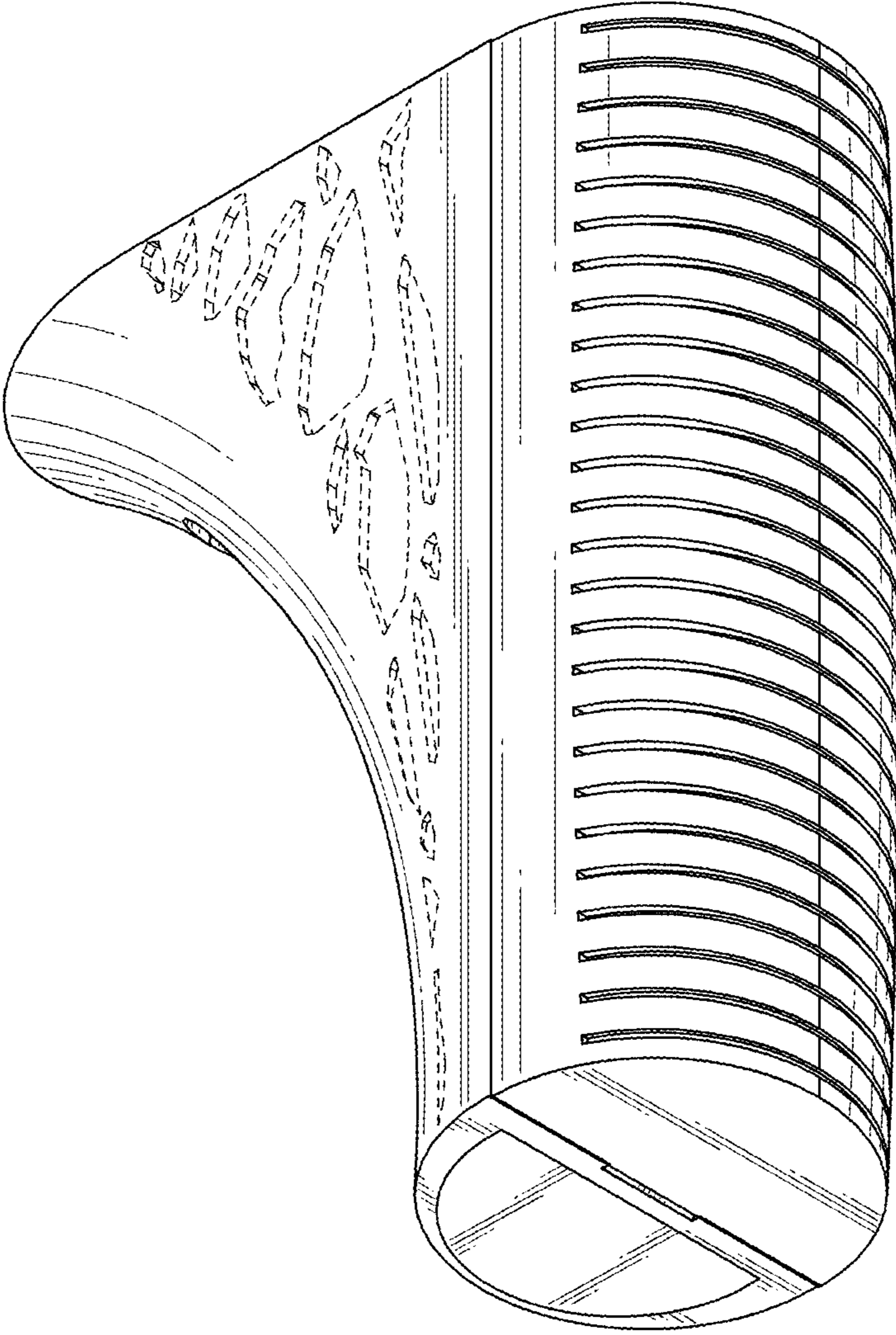


FIG. 2

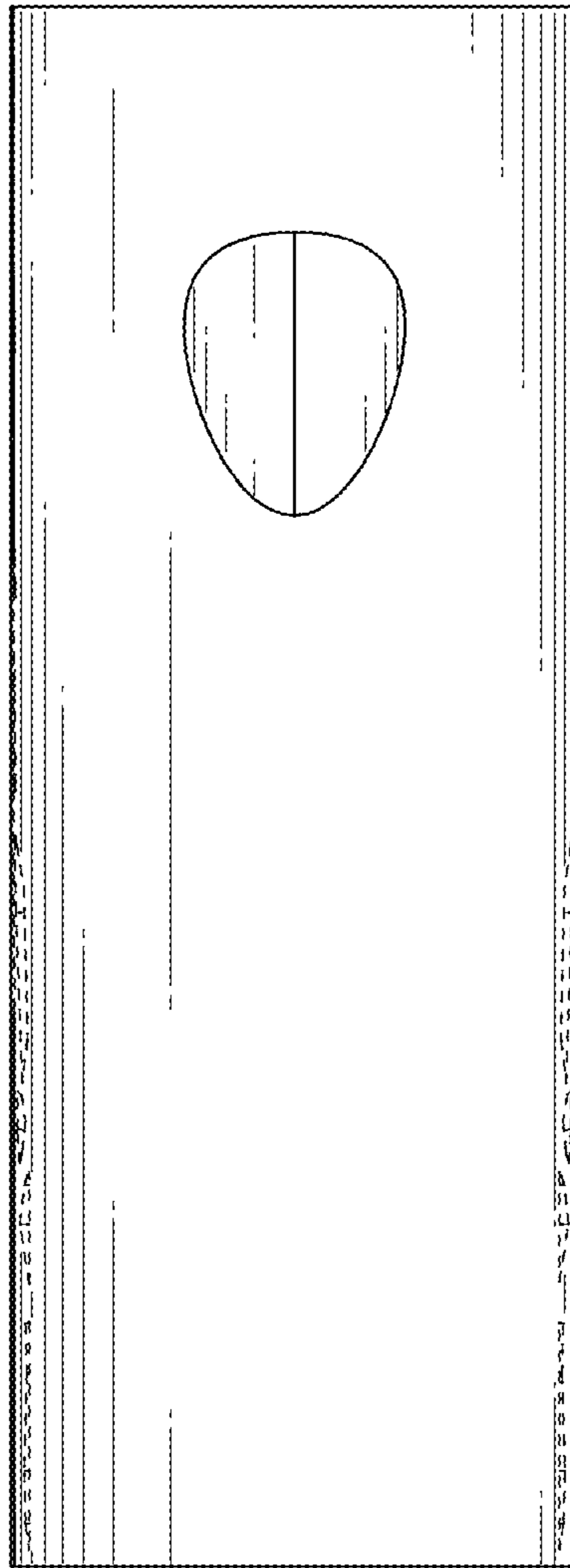


FIG. 3

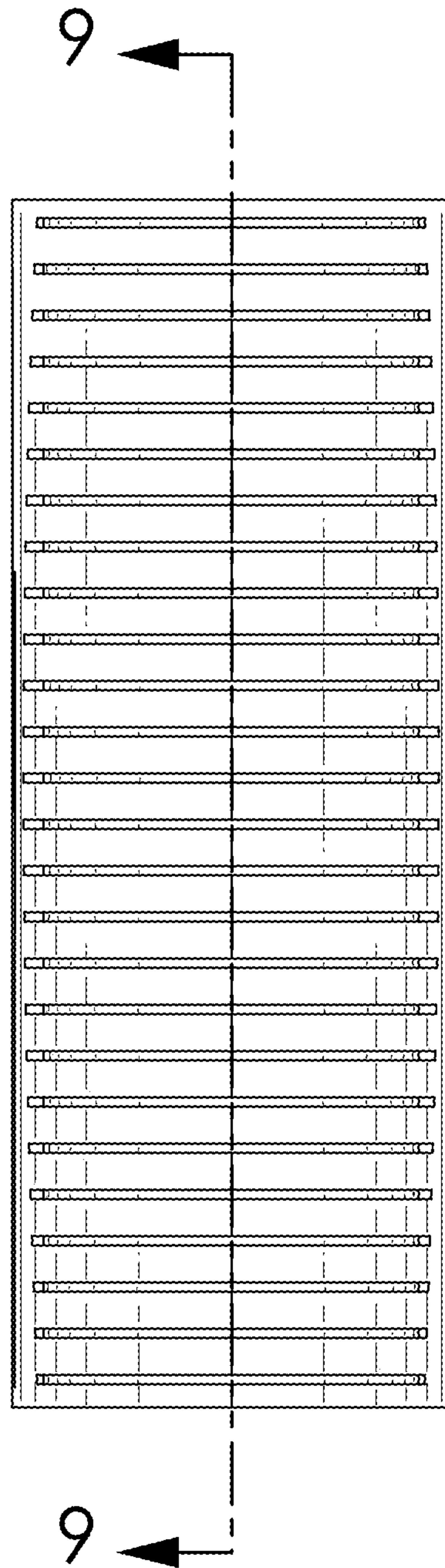


FIG. 4

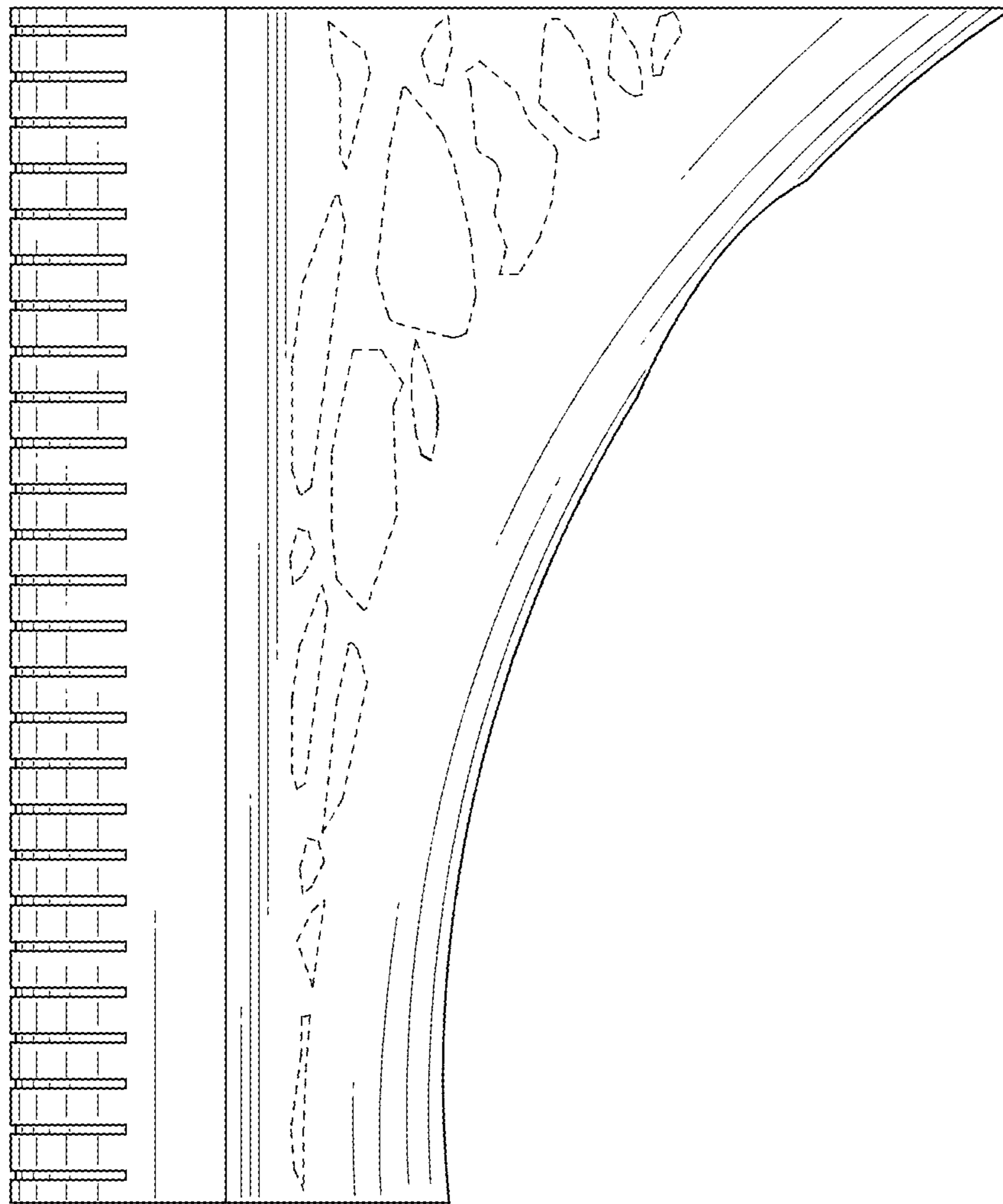


FIG. 5

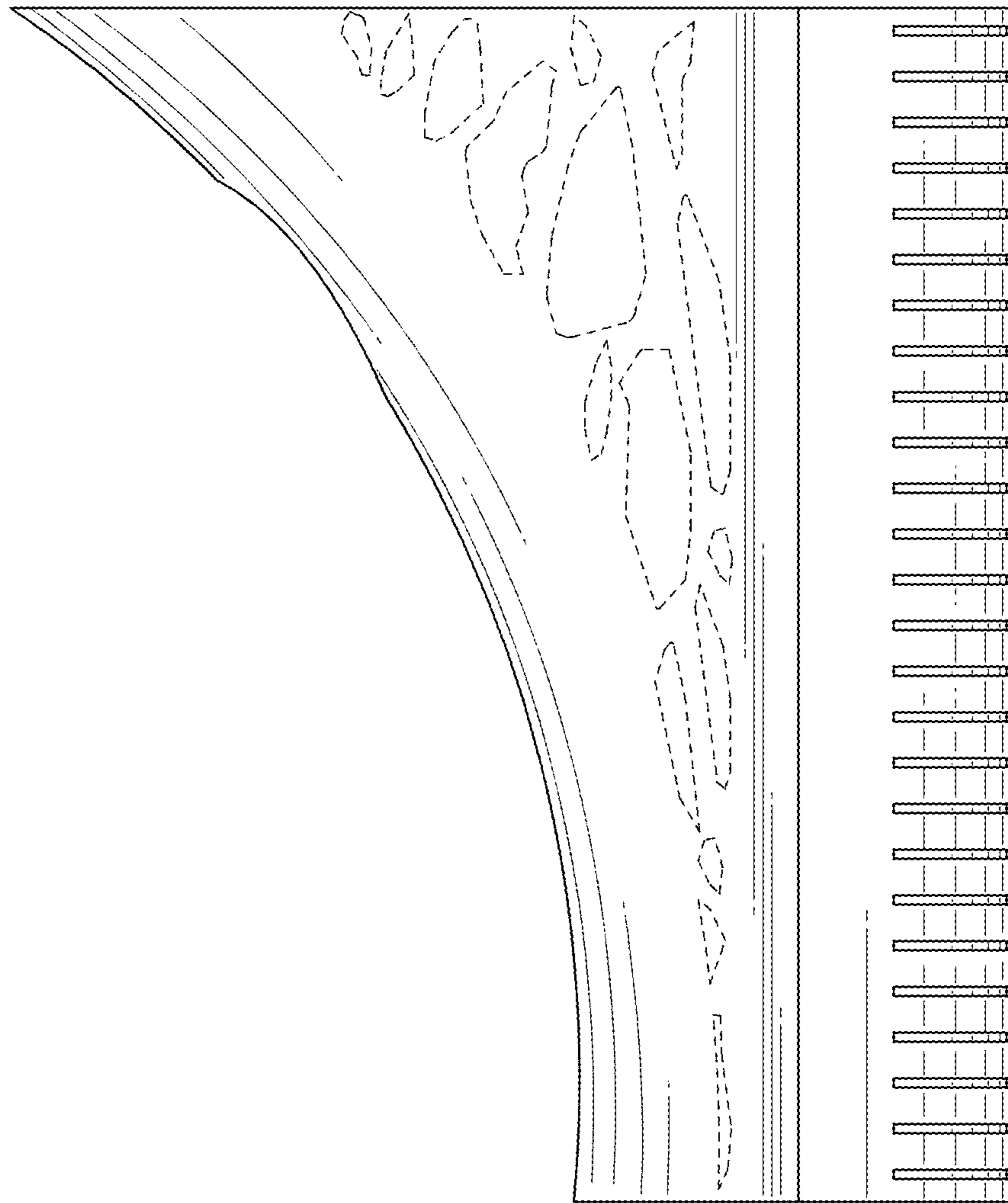


FIG. 6



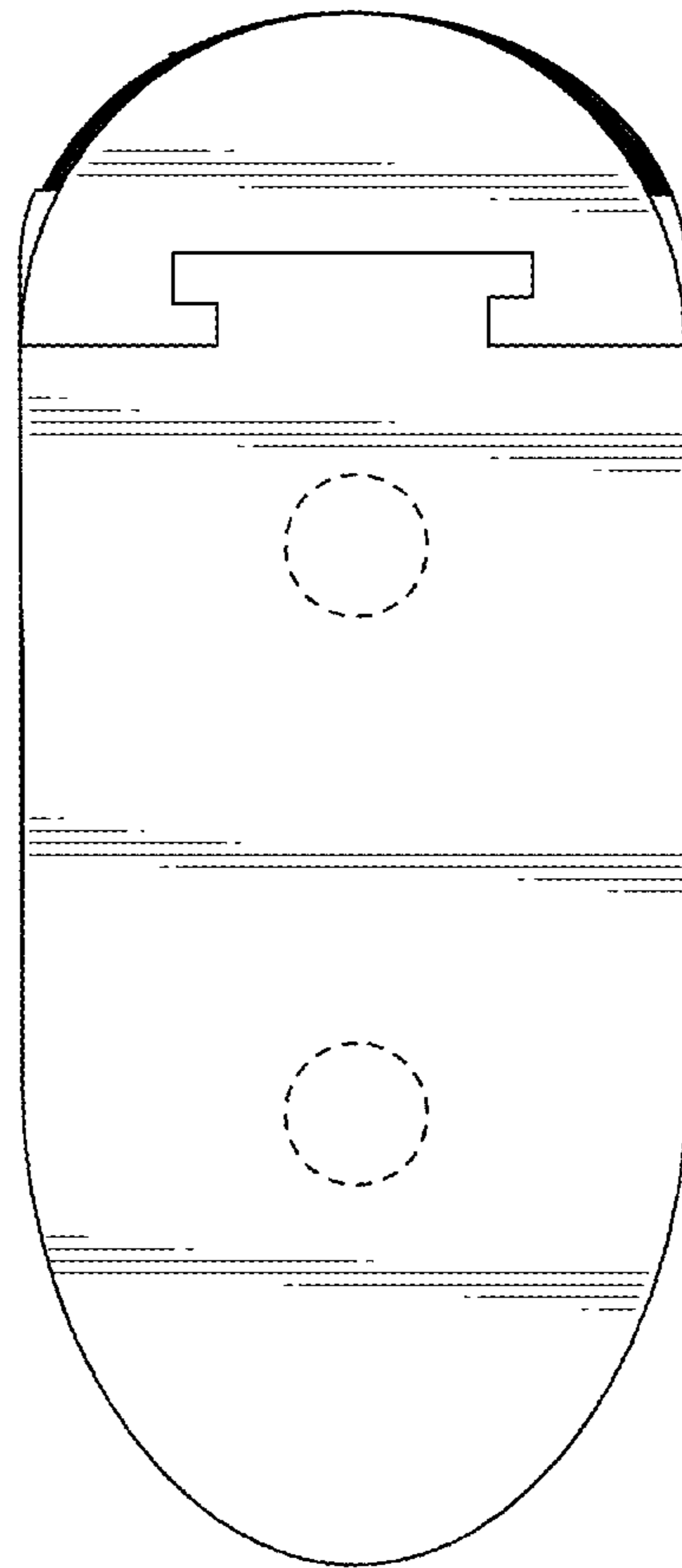


FIG. 7

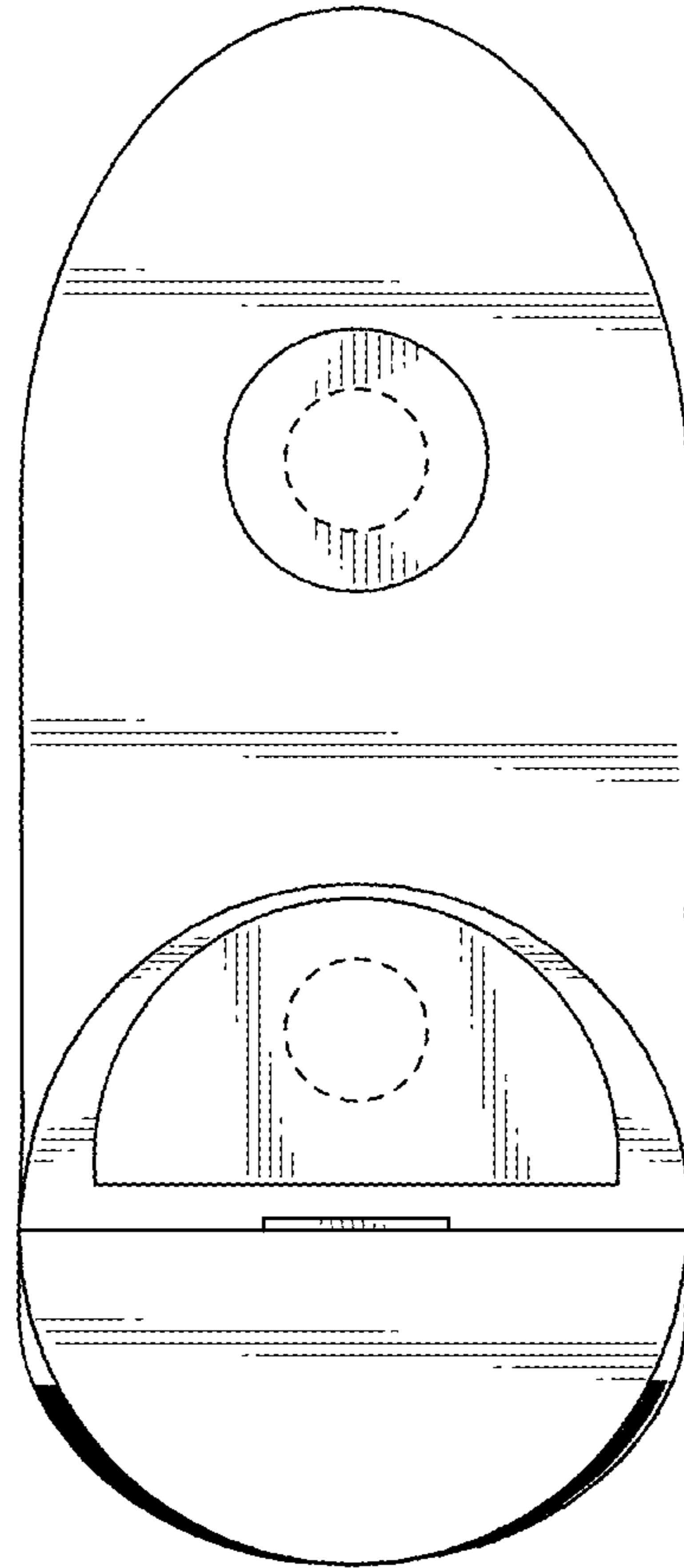


FIG. 8

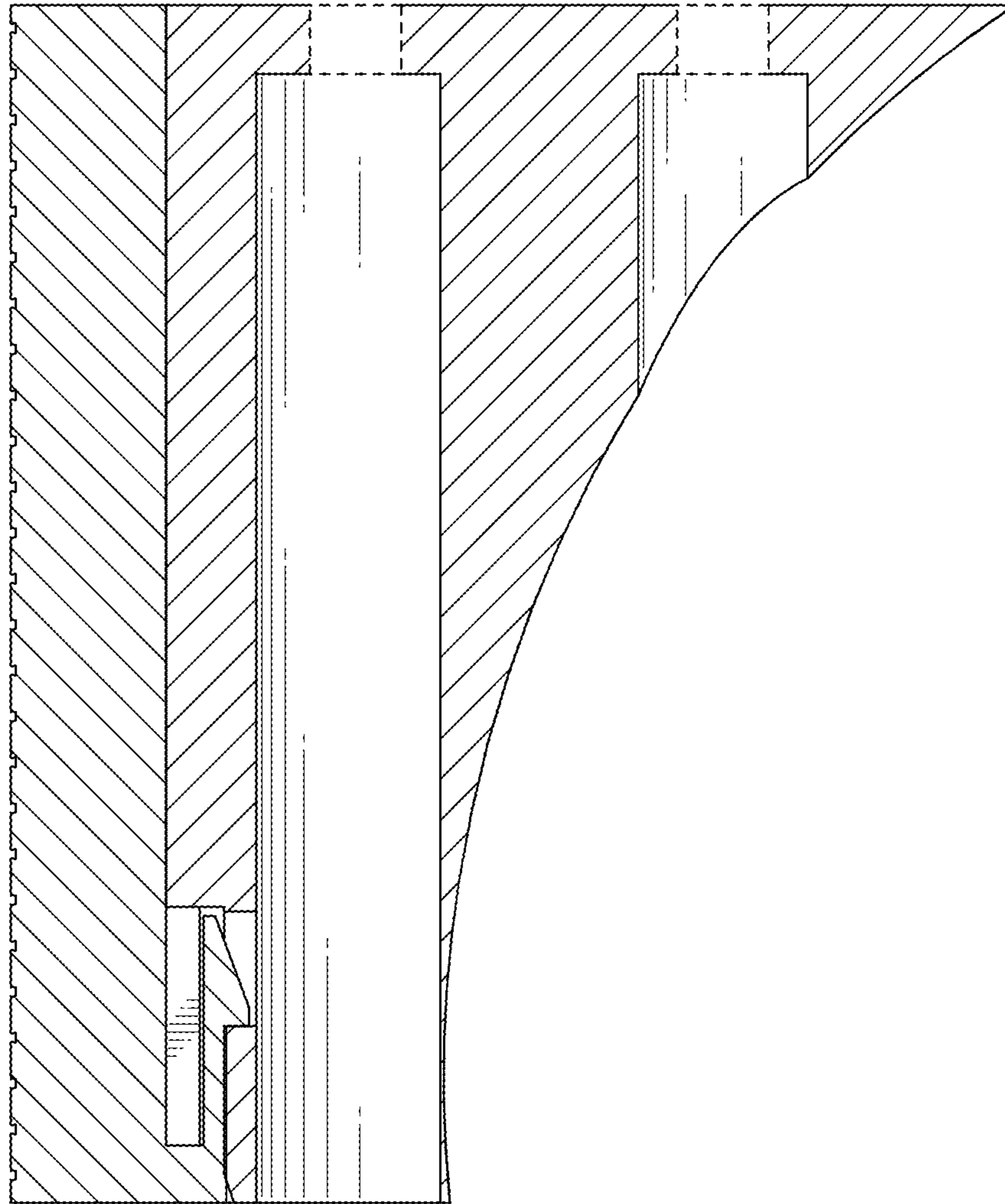


FIG. 9

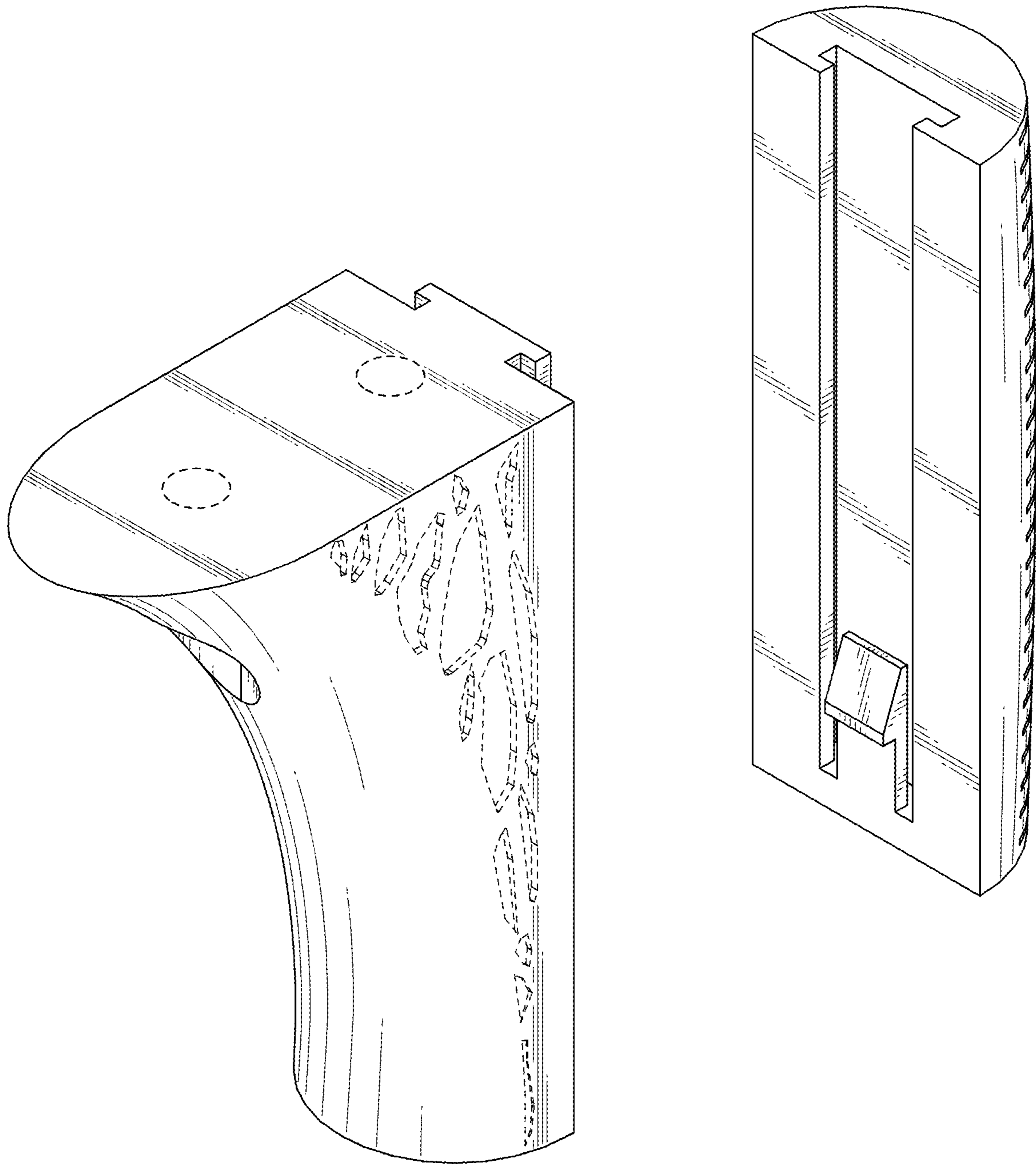


FIG. 10

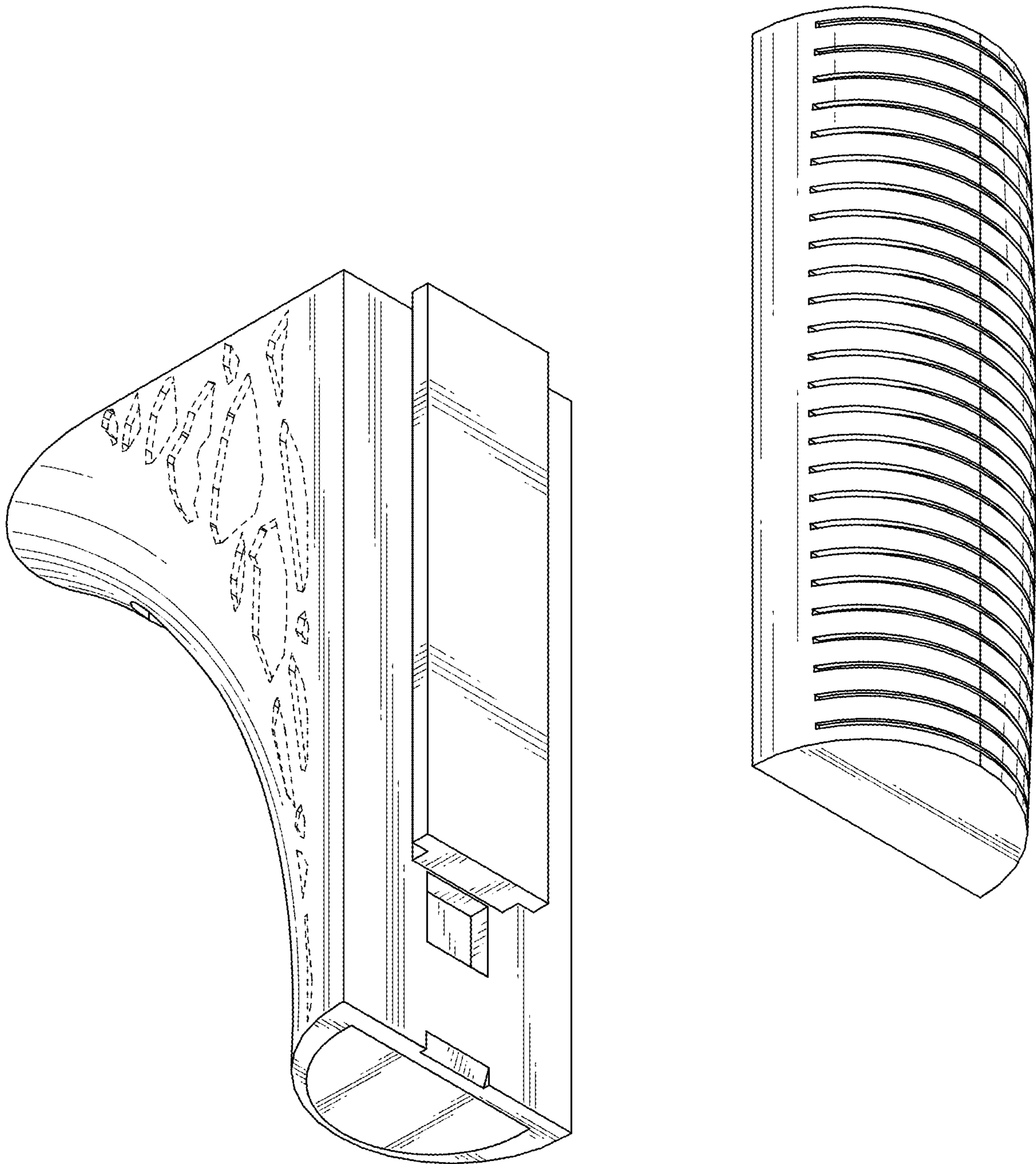


FIG. 11