



US00D975815S

(12) **United States Design Patent**  
**Ding**

(10) **Patent No.:** **US D975,815 S**  
(45) **Date of Patent:** **\*\* Jan. 17, 2023**

(54) **TUMBLE MAT**

(71) Applicant: **Haiqin Ding**, Wuhu (CN)

(72) Inventor: **Haiqin Ding**, Wuhu (CN)

(\*\*) Term: **15 Years**

(21) Appl. No.: **29/763,429**

(22) Filed: **Dec. 22, 2020**

(51) **LOC (14) Cl.** ..... **21-02**

(52) **U.S. Cl.**  
USPC ..... **D21/797**

(58) **Field of Classification Search**  
USPC ..... D6/605, 361, 604; D21/797, 804, 803,  
D21/805, 809  
CPC ..... A47C 27/087; A47C 7/021; E04H 4/14  
See application file for complete search history.

(56) **References Cited**

U.S. PATENT DOCUMENTS

D291,586 S *	8/1987	Bourret	.....	D6/583
D544,281 S *	6/2007	Appleby	.....	D6/582
D584,012 S *	12/2008	Abernathy	.....	D6/601
9,211,437 B2 *	12/2015	Soba	.....	A63B 21/151
D759,773 S *	6/2016	Miller	.....	D21/797
D785,105 S *	4/2017	Armitage	.....	D21/686
D797,877 S *	9/2017	Ho	.....	D21/797
D799,625 S *	10/2017	Chen	.....	D21/797
D801,450 S *	10/2017	Lien	.....	D21/797
D805,811 S *	12/2017	Armitage	.....	D6/582
D840,717 S *	2/2019	Lu	.....	D6/582
D844,730 S *	4/2019	Fischer	.....	D21/797
D846,665 S *	4/2019	DeRaimo	.....	D21/686
D881,601 S *	4/2020	Green	.....	D6/582
D887,506 S *	6/2020	Chen	.....	D21/686
D894,298 S *	8/2020	Gonzales	.....	D21/698
D898,458 S *	10/2020	Huang	.....	D6/604
D899,150 S *	10/2020	Cheng	.....	D6/605
D900,495 S *	11/2020	Zhou	.....	D6/361
D917,207 S *	4/2021	Yin	.....	D6/605

D923,973 S *	7/2021	Yuan	.....	D6/604
D935,209 S *	11/2021	Wang	.....	D6/361
D938,191 S *	12/2021	Xia	.....	D6/588
D942,185 S *	2/2022	Liang	.....	D6/604
D950,982 S *	5/2022	Lee	.....	D6/604
2015/0314844 A1 *	11/2015	Sellmeyer	.....	B63C 9/30 441/125

FOREIGN PATENT DOCUMENTS

GB 6075086 \* 10/2019

OTHER PUBLICATIONS

“Murtisol 34ft Inflatable Gymnastics Training Mats” Apr. 13, 2020, Amazon, site visited Jun. 17, 2022: <https://amzn.to/3N2riBt> (Year: 2020).\*

“AIRTRACK Shop Inflatable Gymnastics Mat” Sep. 5, 2019, Amazon, site visited Jun. 17, 2022: <https://amzn.to/3zJYUkj> (Year: 2019).\*

“EZ Glam 10ft/13ft/16ft/20ft Air Mat” Jun. 21, 2018, Amazon, site visited Jun. 17, 2022: <https://amzn.to/3xWfTif> (Year: 2018).\*

\* cited by examiner

*Primary Examiner* — Jack Reickel  
*Assistant Examiner* — Salamah Jordan  
(74) *Attorney, Agent, or Firm* — Xiaofang Zhong

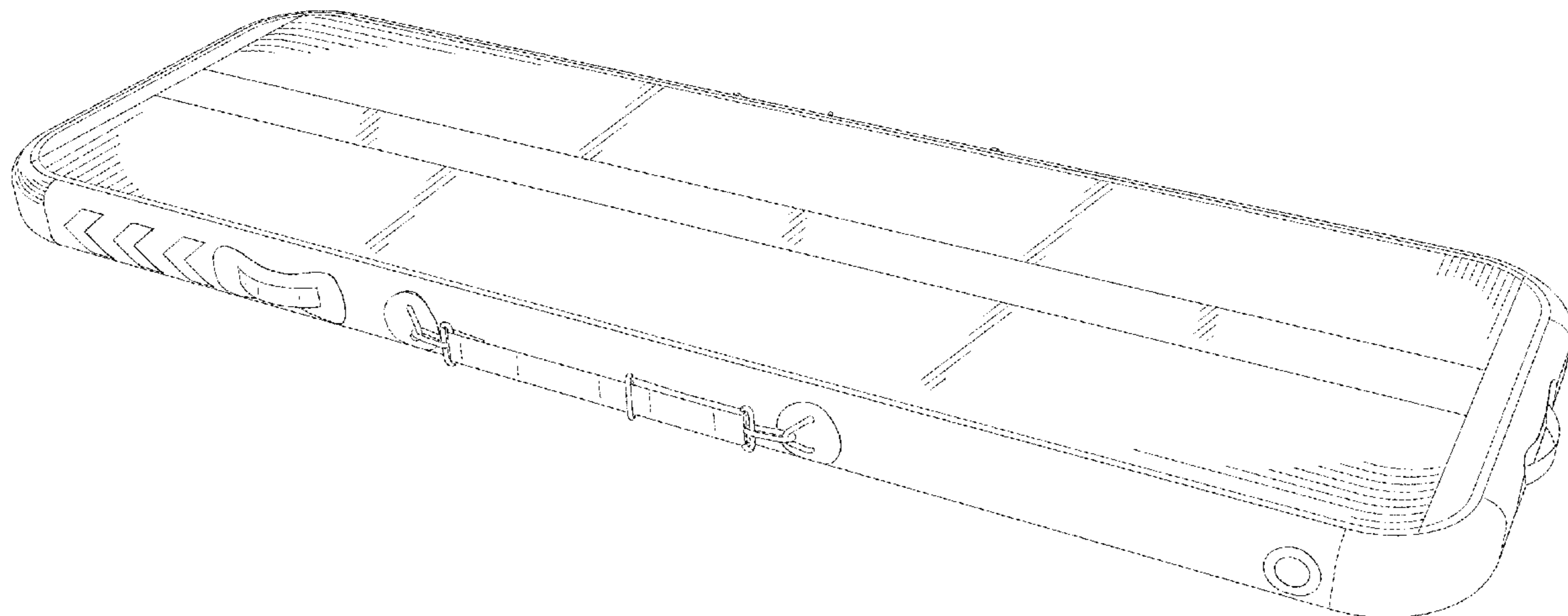
(57) **CLAIM**

The ornamental design for a tumble mat, as shown and described.

**DESCRIPTION**

FIG. 1 is a perspective view of a tumble mat showing my new design;  
FIG. 2 is a left-side elevational view thereof;  
FIG. 3 is a right-side elevational view thereof;  
FIG. 4 is a top plan view thereof;  
FIG. 5 is a bottom plan view thereof;  
FIG. 6 is a front elevational view thereof; and,  
FIG. 7 is a back elevational view thereof.

**1 Claim, 5 Drawing Sheets**



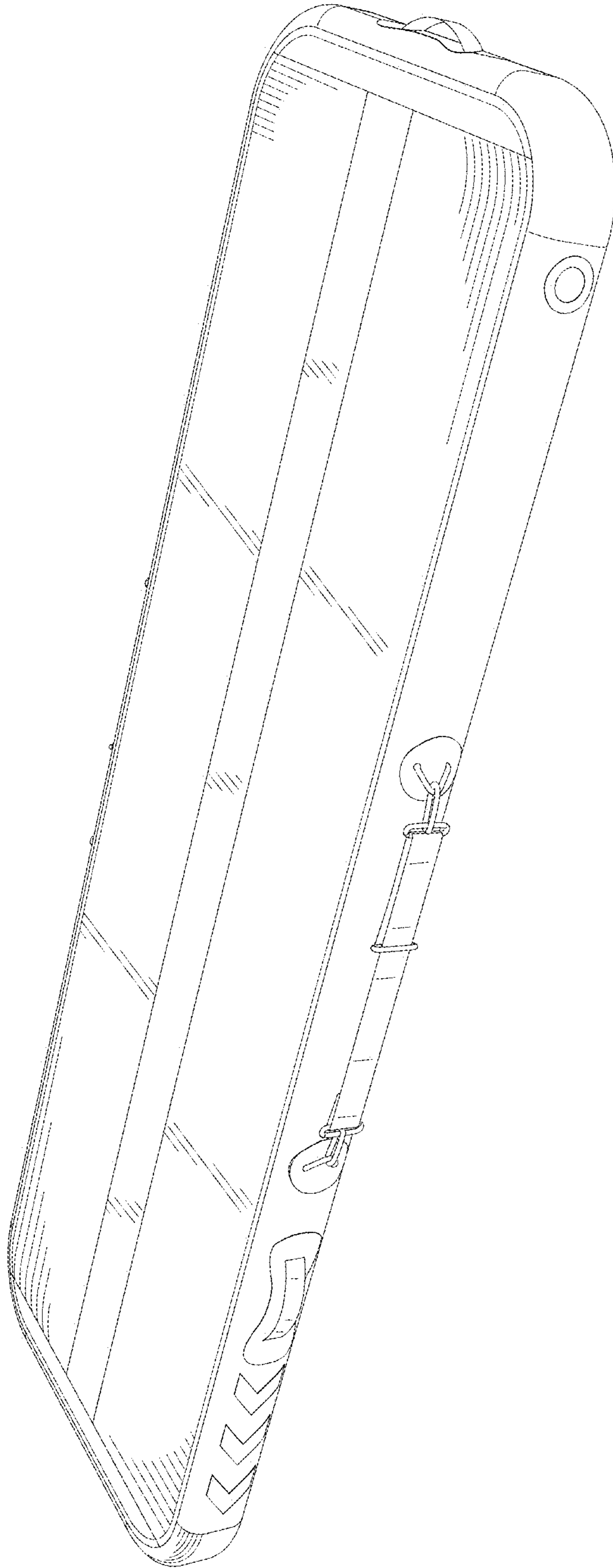


FIG. 1

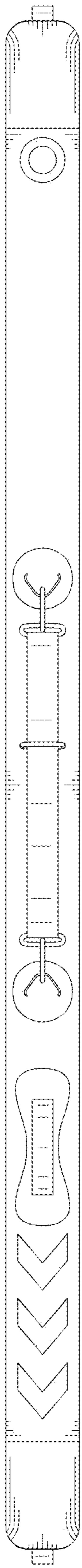


FIG. 2

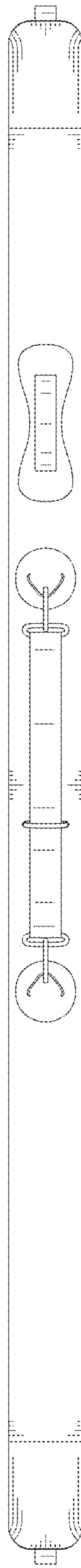


FIG. 3

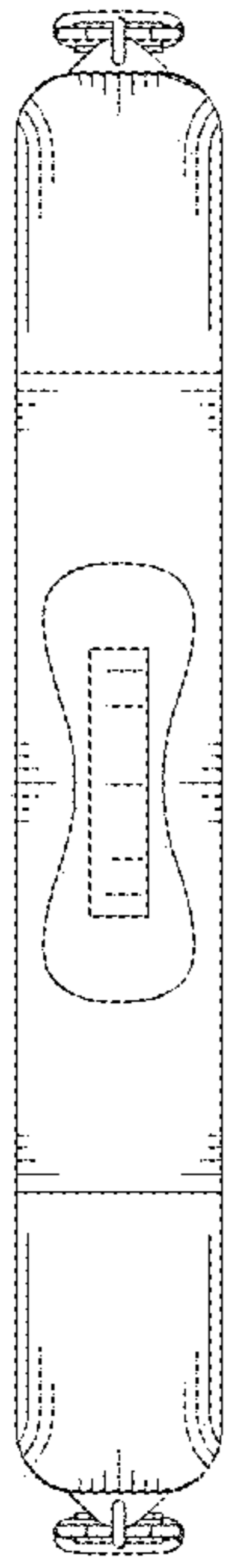


FIG. 4

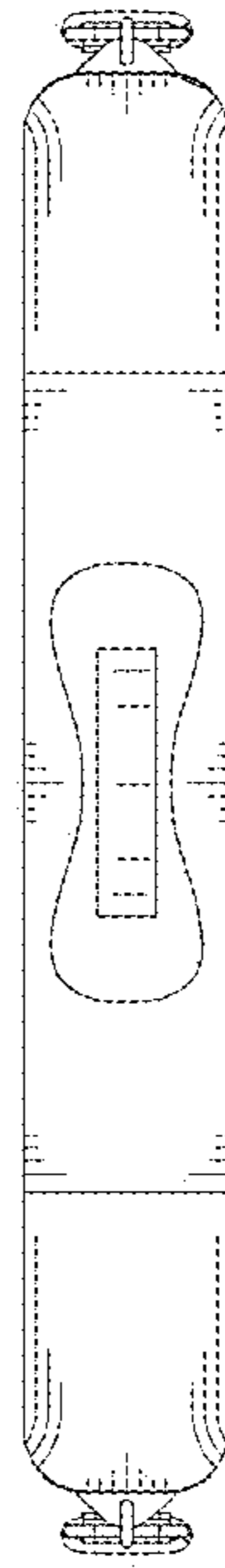


FIG. 5

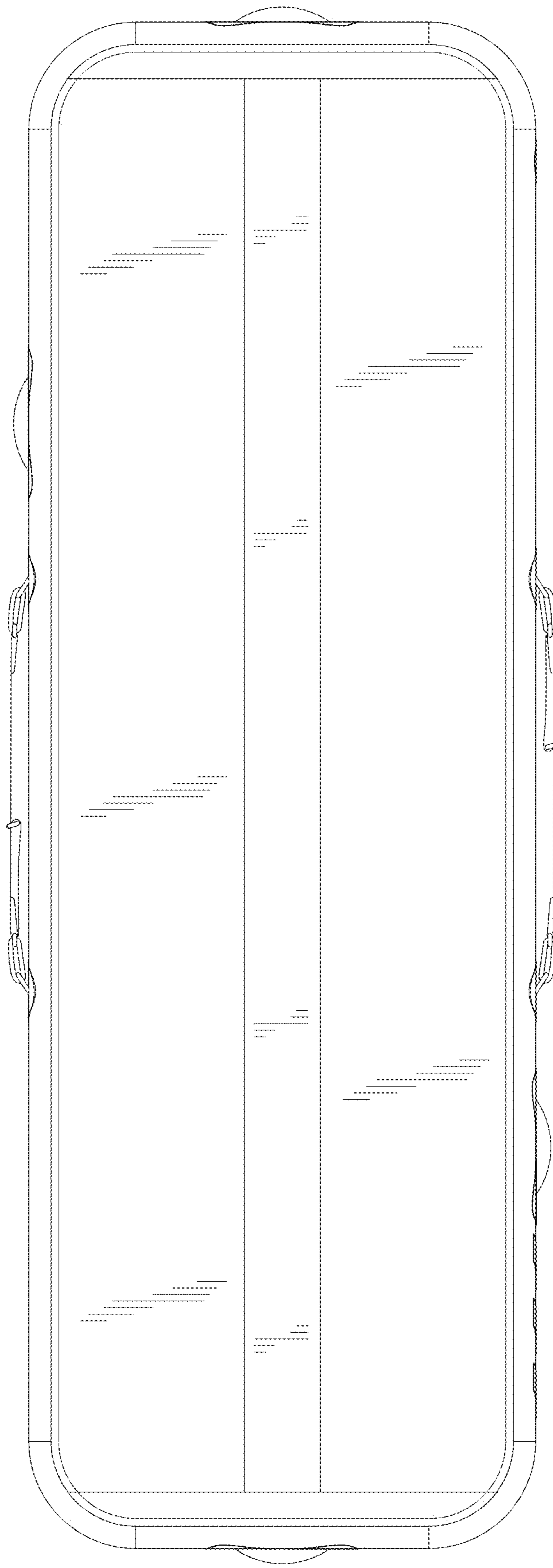


FIG. 6

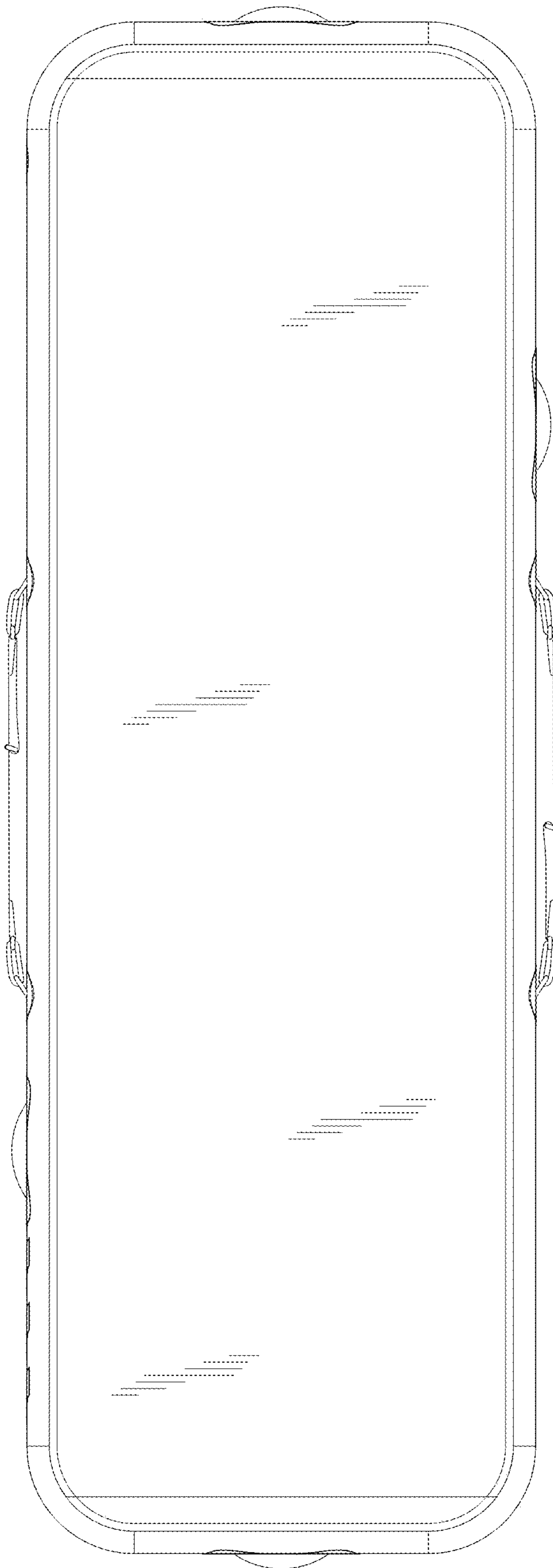


FIG. 7