



US00D975814S

(12) **United States Design Patent** (10) **Patent No.:** **US D975,814 S**
Saurman (45) **Date of Patent:** **** Jan. 17, 2023**

(54) **BRIDGE FOR A POOL CUE**
(71) Applicant: **Jeffrey Saurman**, Somerdale, NJ (US)
(72) Inventor: **Jeffrey Saurman**, Somerdale, NJ (US)
(**) Term: **15 Years**
(21) Appl. No.: **29/730,929**
(22) Filed: **Apr. 9, 2020**
(51) **LOC (14) Cl.** **21-01**
(52) **U.S. Cl.**
USPC **D21/782**
(58) **Field of Classification Search**
USPC D13/168; D21/385, 386, 726, 753, 782,
D21/796
CPC A63D 15/105; A63D 15/10; A63D 15/06;
A63D 15/00; F41A 23/06
See application file for complete search history.

D431,949 S 10/2000 Nesch
6,267,685 B1 * 7/2001 Cannon A63D 15/105
473/42
D485,319 S * 1/2004 Keller D21/782
6,929,555 B2 8/2005 Morton
D534,610 S * 1/2007 Weinstein D21/782
D588,216 S * 3/2009 Manneraak D21/753
D627,412 S * 11/2010 Bruce D21/782
D652,881 S * 1/2012 Reddy D21/753

(Continued)

OTHER PUBLICATIONS

Zxazx 3 Pieces Non-Slip Billiard Snooker Pool Cue Bridge, first available, Jan. 16, 2021, www.amazon.com [online], site visited [Mar. 2, 2022], Available from internet URL: https://amzn.to/3sDWxLW (Year: 2021).*

(Continued)

Primary Examiner — Jack Reickel
Assistant Examiner — Salamah Jordan
(74) *Attorney, Agent, or Firm* — Suzanne Kikel, Patent Agent

(56) **References Cited**

U.S. PATENT DOCUMENTS

879,052 A * 2/1908 Jeranek F41A 23/06
74/564
898,345 A * 9/1908 Farnham A63D 15/105
473/42
2,817,525 A 12/1957 Niemann
4,053,153 A * 10/1977 Josenhans A63D 15/105
473/43
4,120,494 A 10/1978 Roe
4,149,718 A * 4/1979 Russo A63D 15/105
D291,466 S 8/1987 Taube
4,907,799 A * 3/1990 Danner A63D 15/105
4,953,860 A * 9/1990 Ames A63D 15/105
5,238,457 A * 8/1993 Triplett A63D 15/105
473/42
D346,636 S 5/1994 Bechtel
D356,137 S 3/1995 Hull et al.
5,449,325 A * 9/1995 Dransfield A63D 15/105
5,645,490 A 7/1997 Lodrick
5,846,137 A 12/1998 Tremblay
5,853,333 A * 12/1998 Patterson A63D 15/105

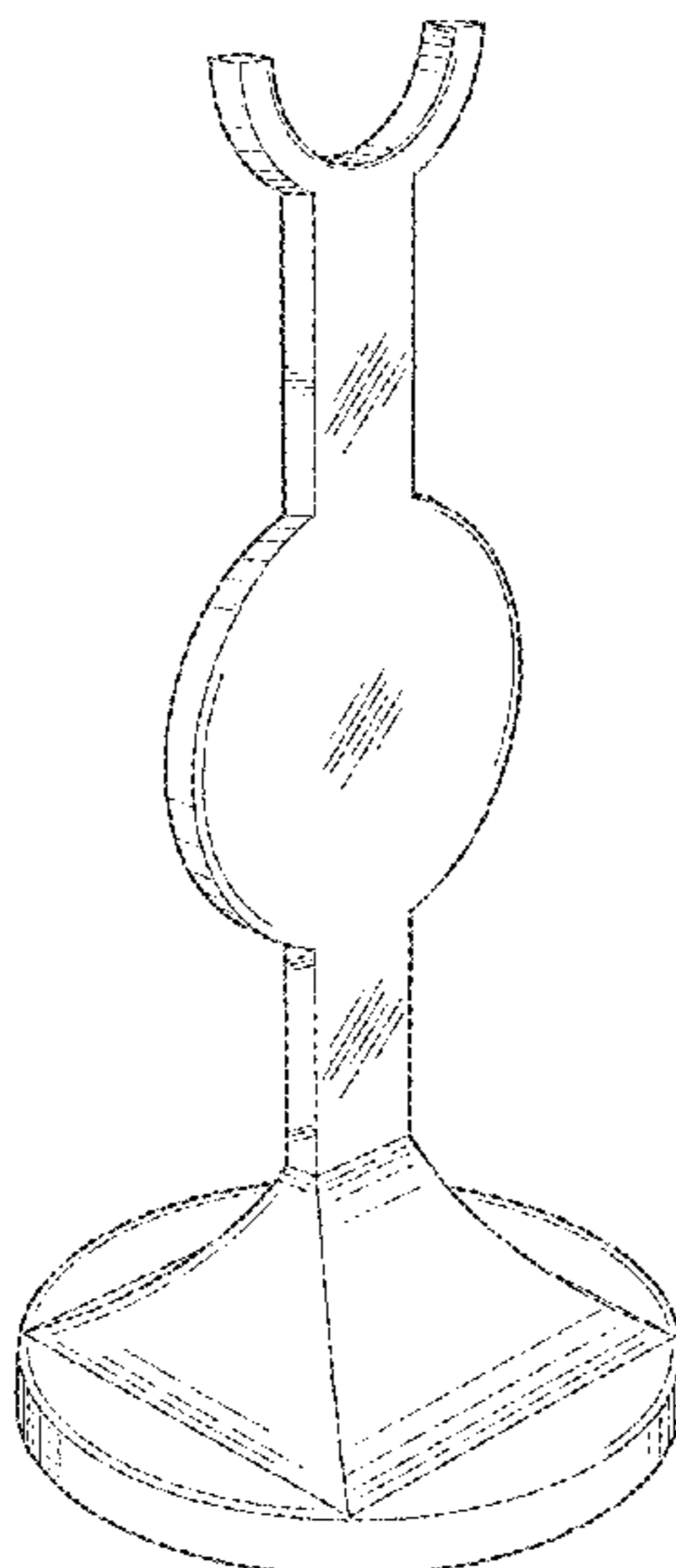
(57) **CLAIM**

The ornamental design for a bridge for a pool cue, as shown and described.

DESCRIPTION

FIG. 1 is a front perspective view of a bridge for a pool cue, showing my new design.
FIG. 2 is a left side view thereof.
FIG. 3 is a right-side view thereof.
FIG. 4 is a front view thereof.
FIG. 5 is a rear view thereof.
FIG. 6 is a top view thereof; and,
FIG. 7 is a bottom view thereof.
The broken line areas show portions of the bridge for a pool cue that form no part of the claimed design.

1 Claim, 6 Drawing Sheets



(56)

References Cited

U.S. PATENT DOCUMENTS

9,539,492 B1 * 1/2017 Eager A63D 15/006
D800,858 S * 10/2017 D'Ambrosio D21/386
10,625,143 B1 * 4/2020 Kirk A63D 15/105
2006/0030417 A1 2/2006 Evans et al.
2010/0311511 A1 12/2010 Crump et al.
2011/0070959 A1 * 3/2011 Wylie A63D 15/105
473/2
2018/0304144 A1 * 10/2018 Manou A63D 15/105
2022/0258034 A1 * 8/2022 Webb A63D 15/105

OTHER PUBLICATIONS

“Alomejor 6pcs Billiards Snooker Cue” Jan. 31, 2019, Amazon, site visited Sep. 1, 2022: <https://amzn.to/3Rrzt4E> (Year: 2019).*

“TGA” Mar. 22, 2019, Amazon, site visited Sep. 1, 2022: <https://amzn.to/3B8oP5E> (Year: 2019).*

“Shifty Bridge—3 Wheel” Dec. 15, 2018, PoolDawg, site visited Sep. 2, 2022: <https://www.pooldawg.com/gift-guide/gift-ideas-under-50/shifty-bridge-3-wheel> (Year: 2018).*

* cited by examiner

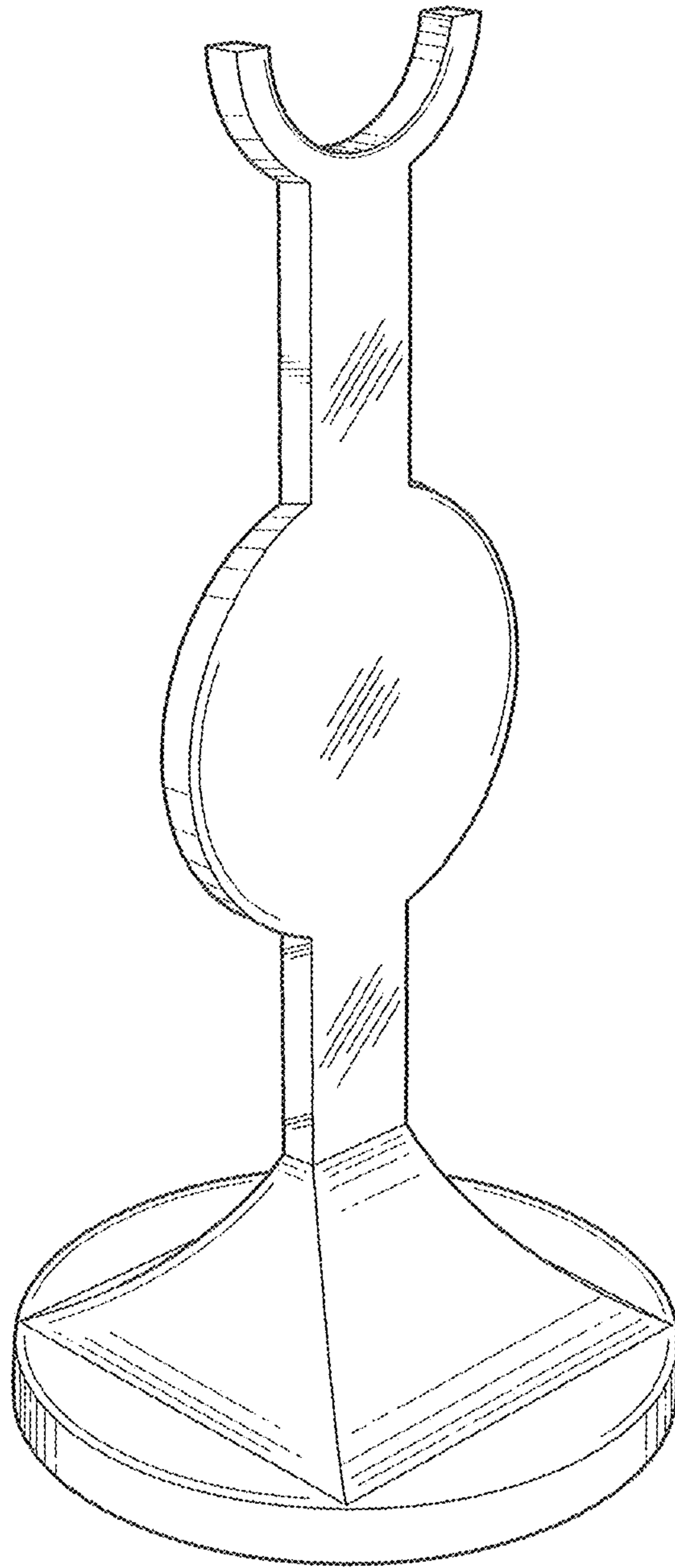


FIG. 1

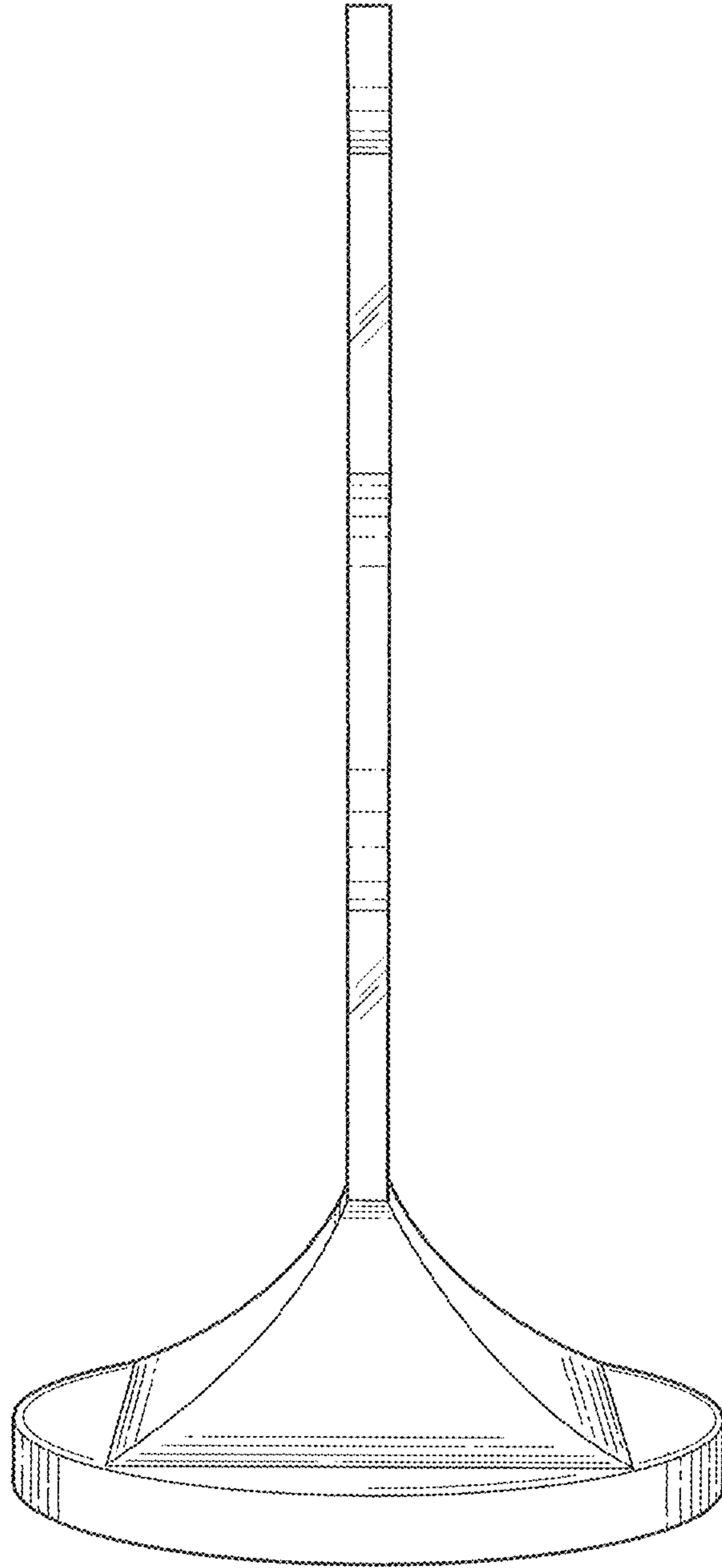


FIG. 2

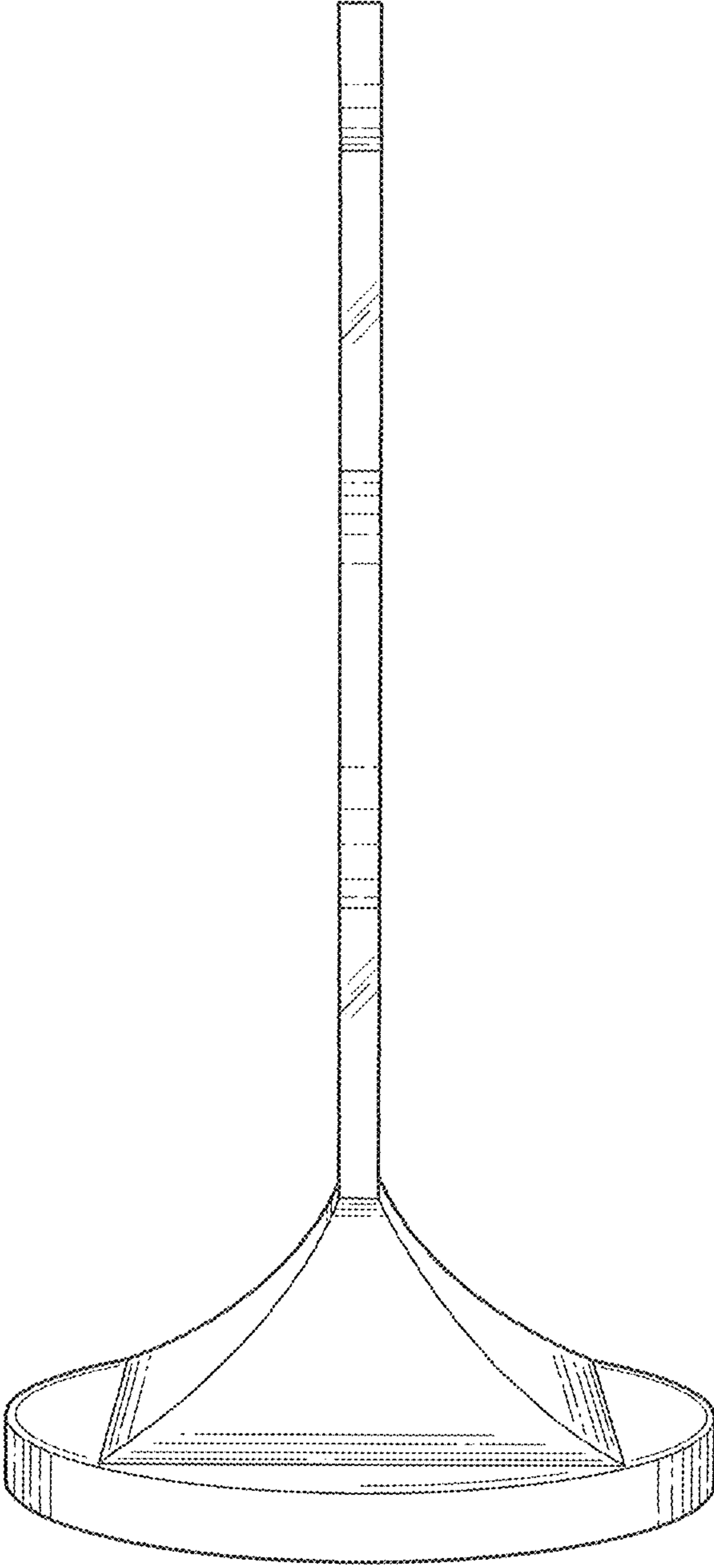


FIG. 3

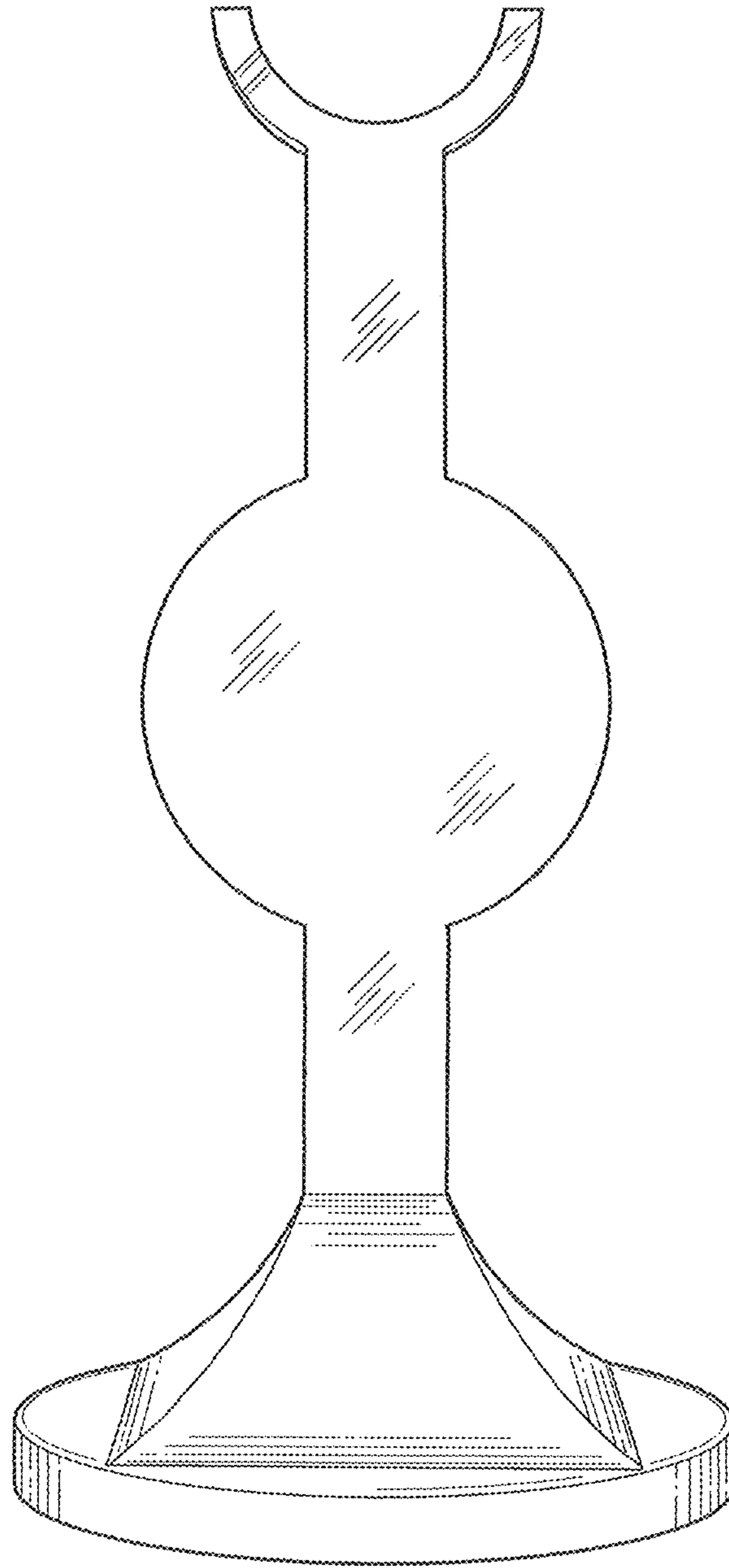


FIG. 4

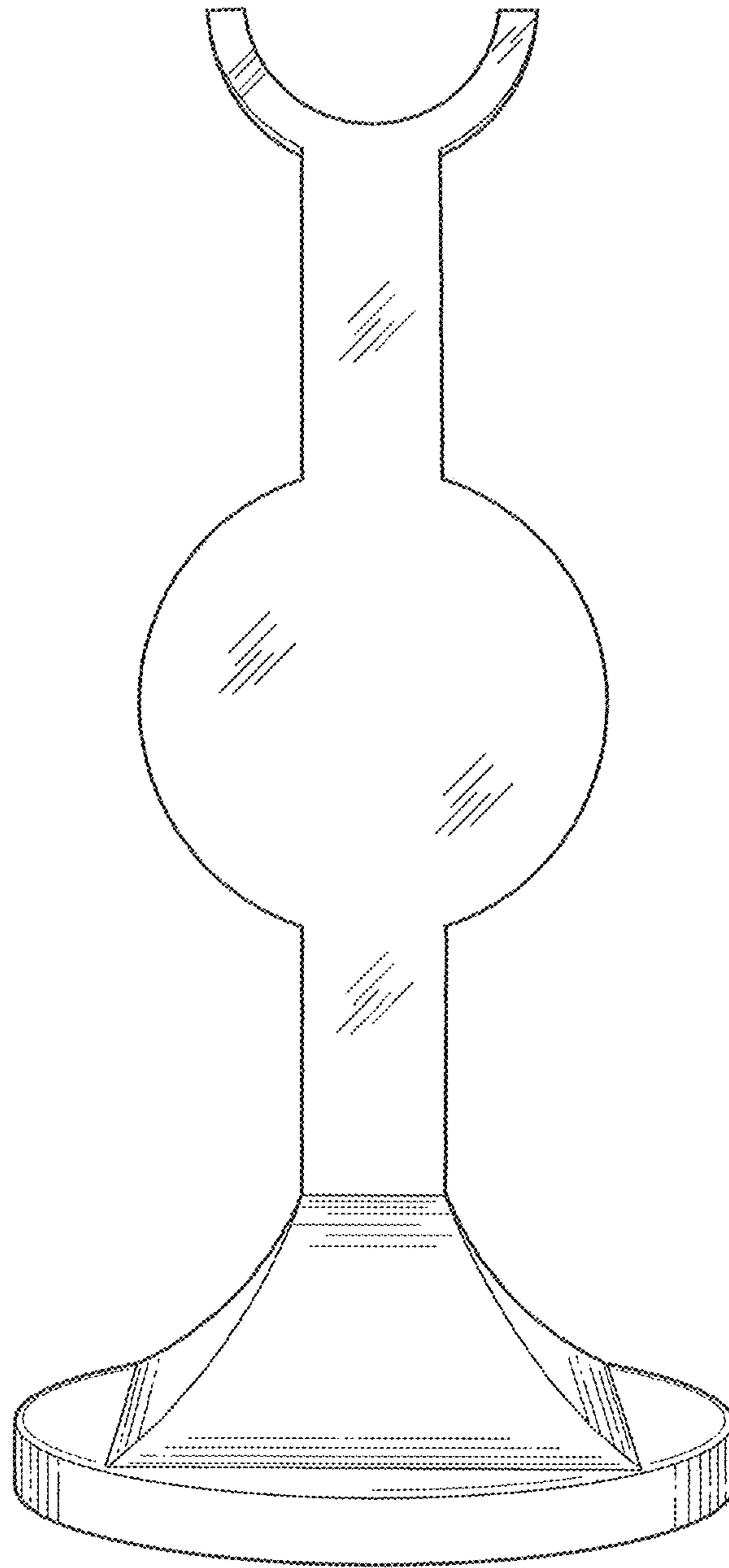


FIG. 5

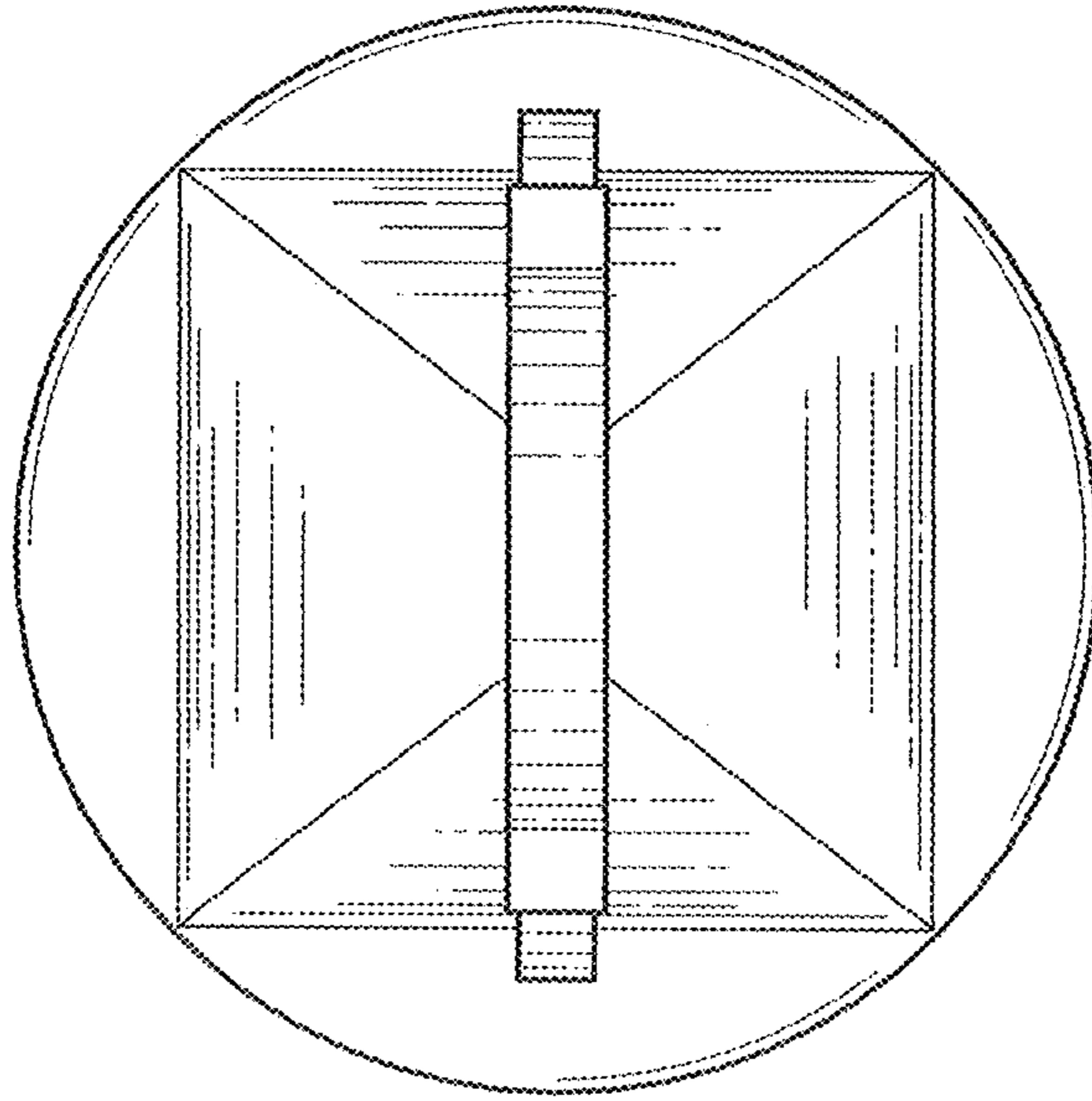


FIG. 6

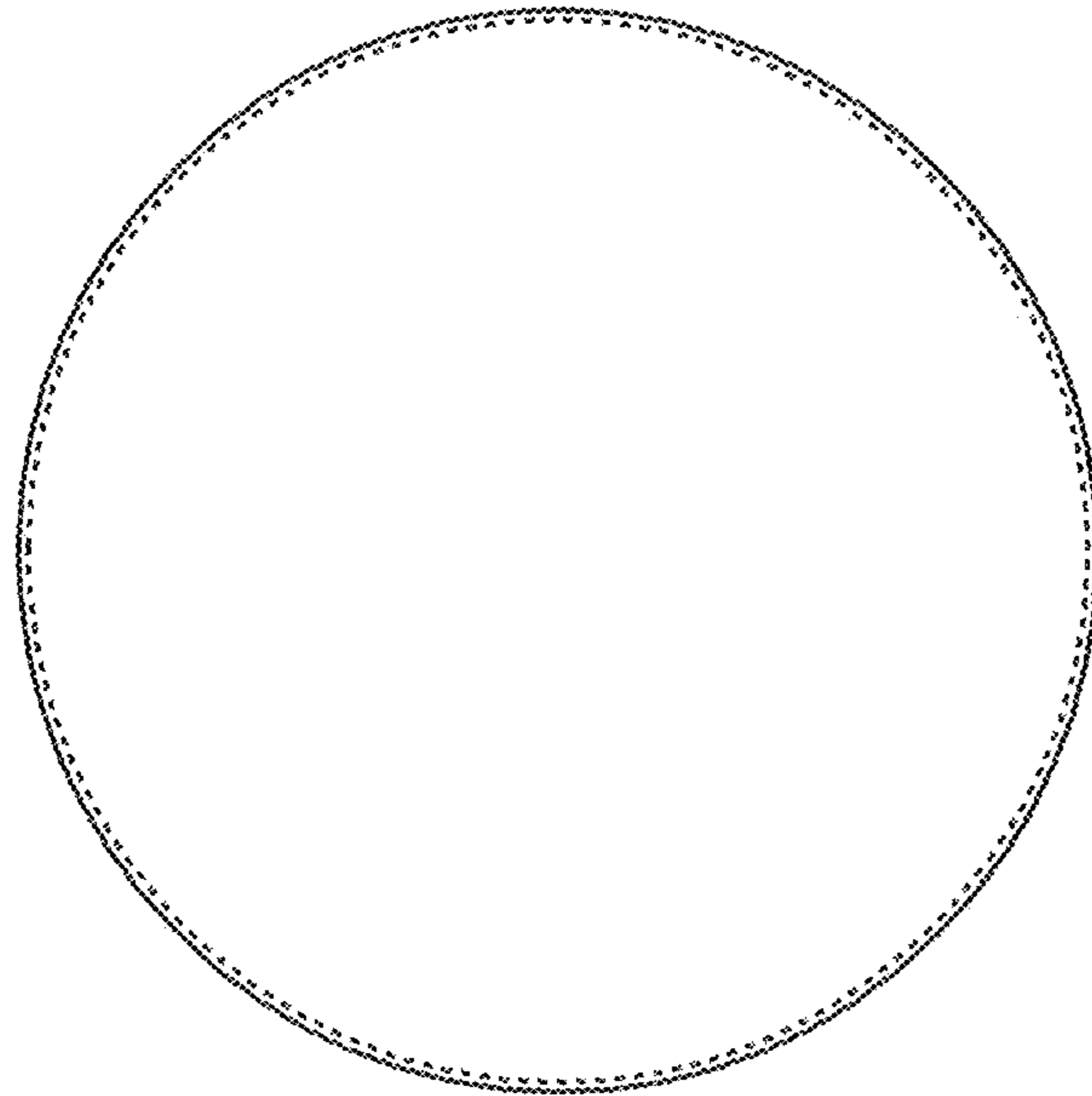


FIG. 7