



US00D975812S

(12) **United States Design Patent**
Donaghue

(10) **Patent No.:** **US D975,812 S**

(45) **Date of Patent:** **** Jan. 17, 2023**

- (54) **GOLF CLUB HEAD**
- (71) Applicant: **Point-N-Putt Pty. Ltd., Deakin (AU)**
- (72) Inventor: **Paul Joseph Donaghue, Canberra (AU)**
- (73) Assignee: **Point-N-Putt Pty. Ltd., Deakin (AU)**
- (**) Term: **15 Years**

5,524,890 A *	6/1996	Kim	A63B 60/50 473/331
5,762,566 A *	6/1998	King	A63B 53/04 473/328
D524,889 S *	7/2006	Yu	D21/747
7,618,330 B2 *	11/2009	Krewalk	A63B 53/04 473/328
D698,880 S *	2/2014	Donaghue	D21/747
D791,894 S *	7/2017	Oyler	D21/752
D957,554 S *	7/2022	Bilous	D21/747

(21) Appl. No.: **29/781,091**

(22) Filed: **Apr. 28, 2021**

(30) **Foreign Application Priority Data**

Nov. 18, 2020 (AU) 202016286

(51) **LOC (14) Cl.** **21-02**

(52) **U.S. Cl.**
USPC **D21/750**

(58) **Field of Classification Search**
USPC D21/759, 789, 747, 750, 733, 736
See application file for complete search history.

(56) **References Cited**

U.S. PATENT DOCUMENTS

1,089,881 A *	3/1914	Taylor, Jr.	A63B 60/52 473/328
D212,293 S *	9/1968	Brown, Jr.	473/328
3,719,359 A *	3/1973	Evans	A63B 60/00 473/328
3,830,503 A *	8/1974	Consoli	A63B 53/04 473/328
5,213,329 A *	5/1993	Okumoto	A63B 53/04 473/328
5,280,911 A *	1/1994	Katayama	A63B 53/047 473/328

OTHER PUBLICATIONS

Protouch, announced Apr. 28, 2020 [online], [site visited Oct. 25, 2022]. Available on internet, URL:https://www.google.com/search?rlz=1C1GCEB_enUS921US921&hl=en-US&tbs=cdr:1,cd_min:04/28/2020,cd_max:04/27/2021&q=protouch+56+degree+sand+wedges&sa=X&ved=2ahUKEwjv17Dgzlv7AhVKGIlkFHdu7C4kQ7xYoAHoECCkQAQ&biw=1920&bih=1057&dpr=1 (Year: 2020).*

* cited by examiner

Primary Examiner — Khawaja Anwar

Assistant Examiner — Julice Seung Eun Oum

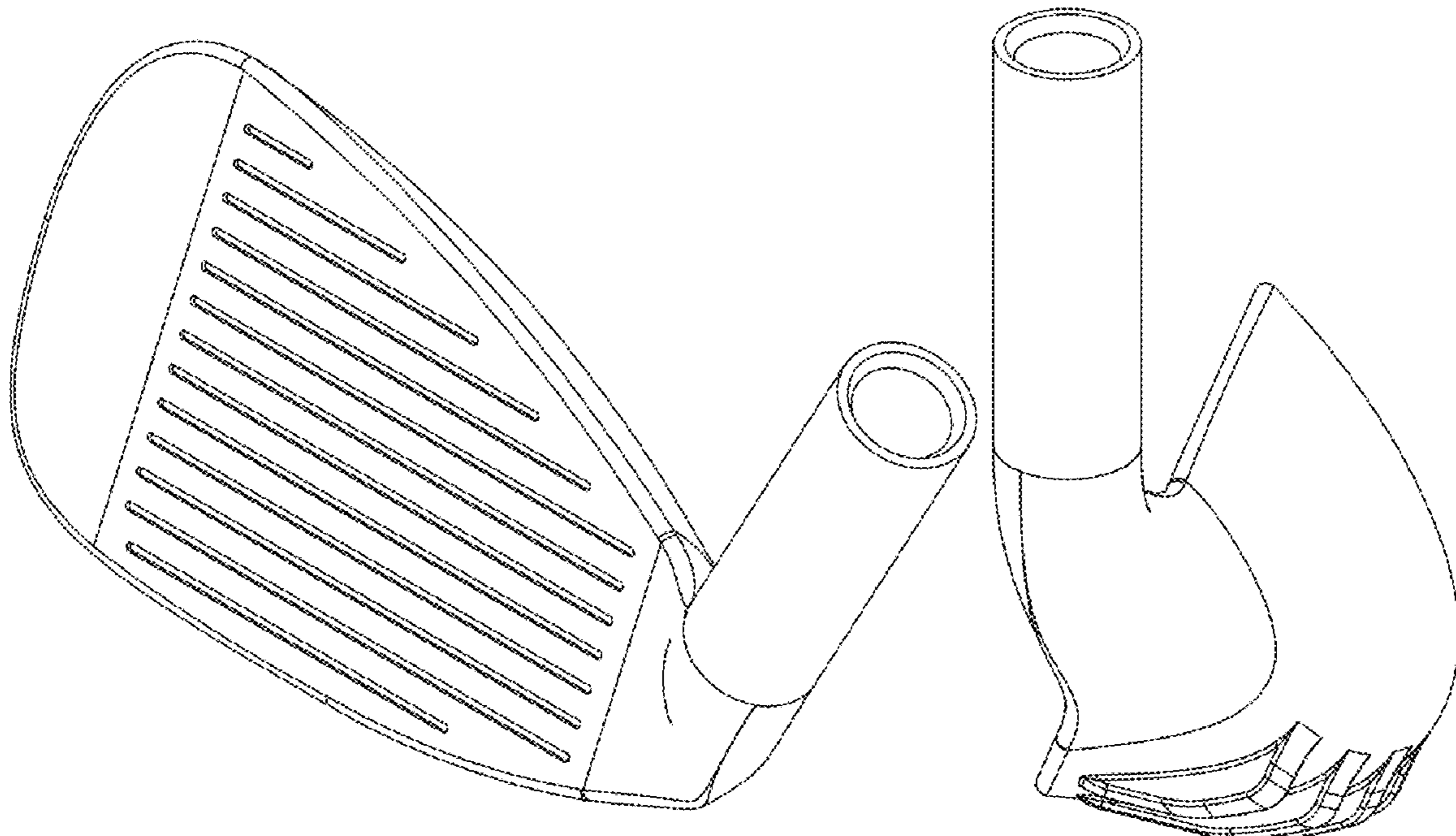
(57) **CLAIM**

The ornamental design for a golf club head, as shown and described.

DESCRIPTION

FIG. 1 is a perspective view of the new ornamental design. FIG. 2 is a front view of the design of FIG. 1. FIG. 3 is a right side view of the design of FIG. 1. FIG. 4 is a left side view of the design of FIG. 1. FIG. 5 is a top view of the design of FIG. 1. FIG. 6 is a bottom view of the design of FIG. 1; and, FIG. 7 is a rear view of the design of FIG. 1.

1 Claim, 7 Drawing Sheets



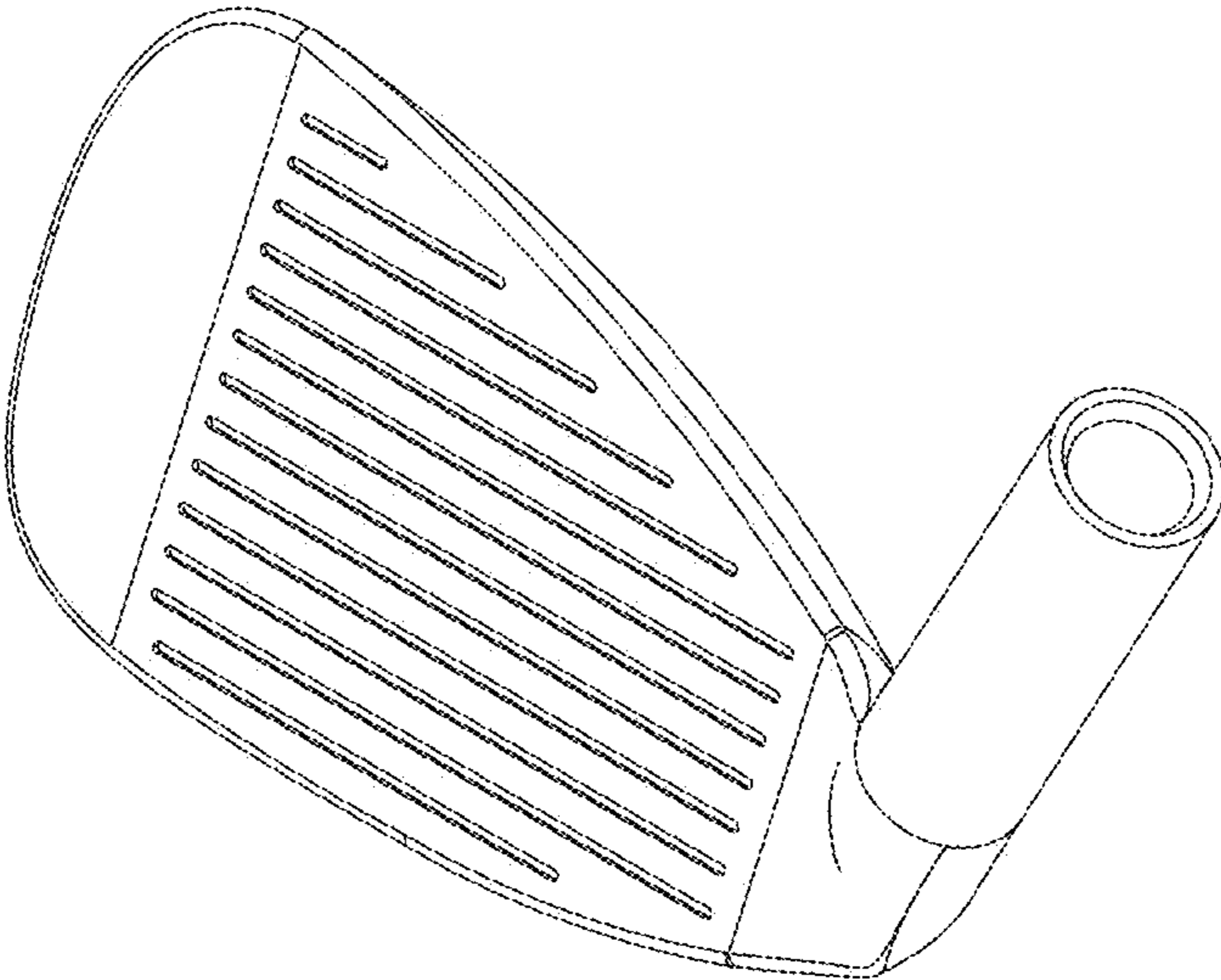


Fig 1

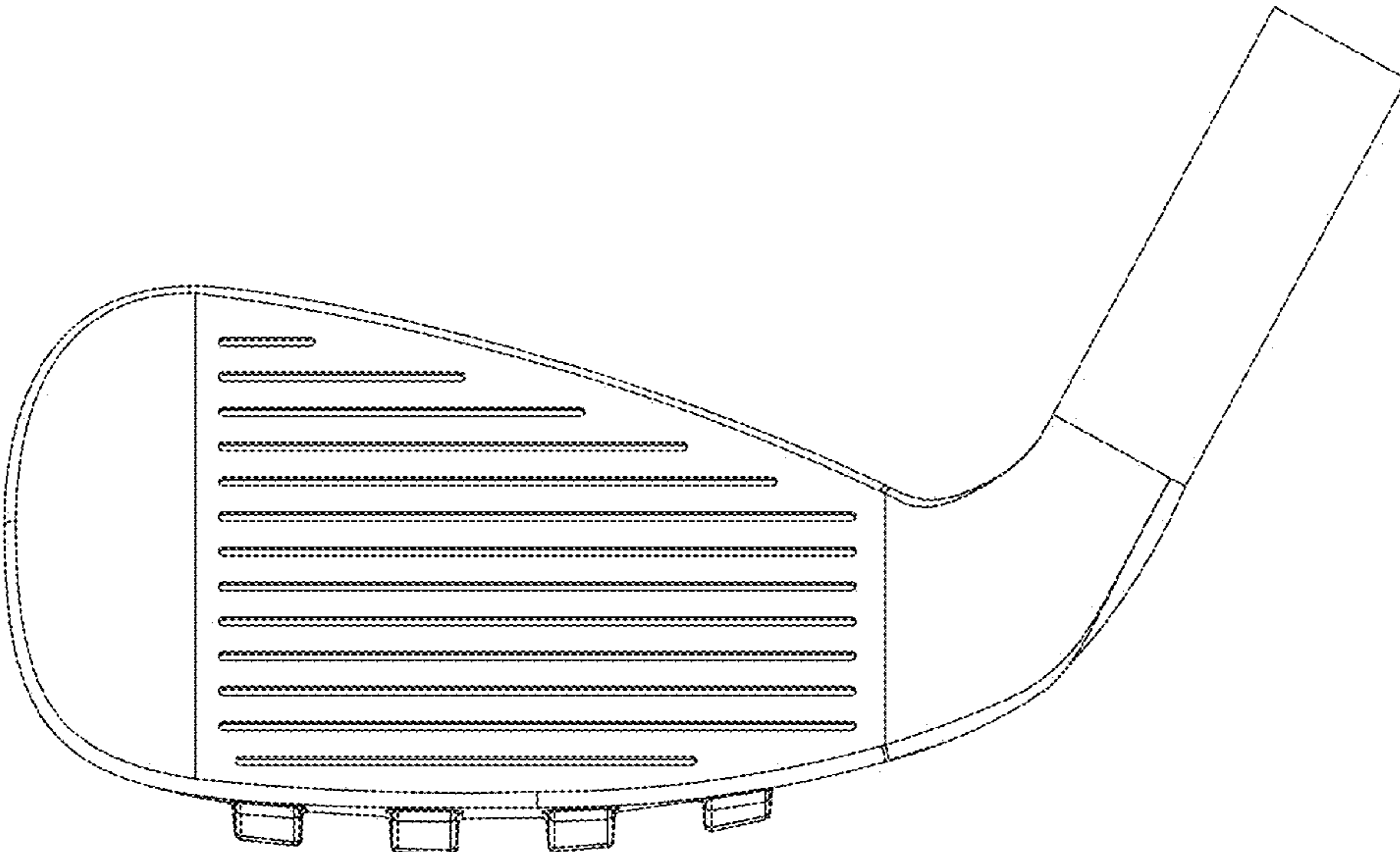


Fig 2

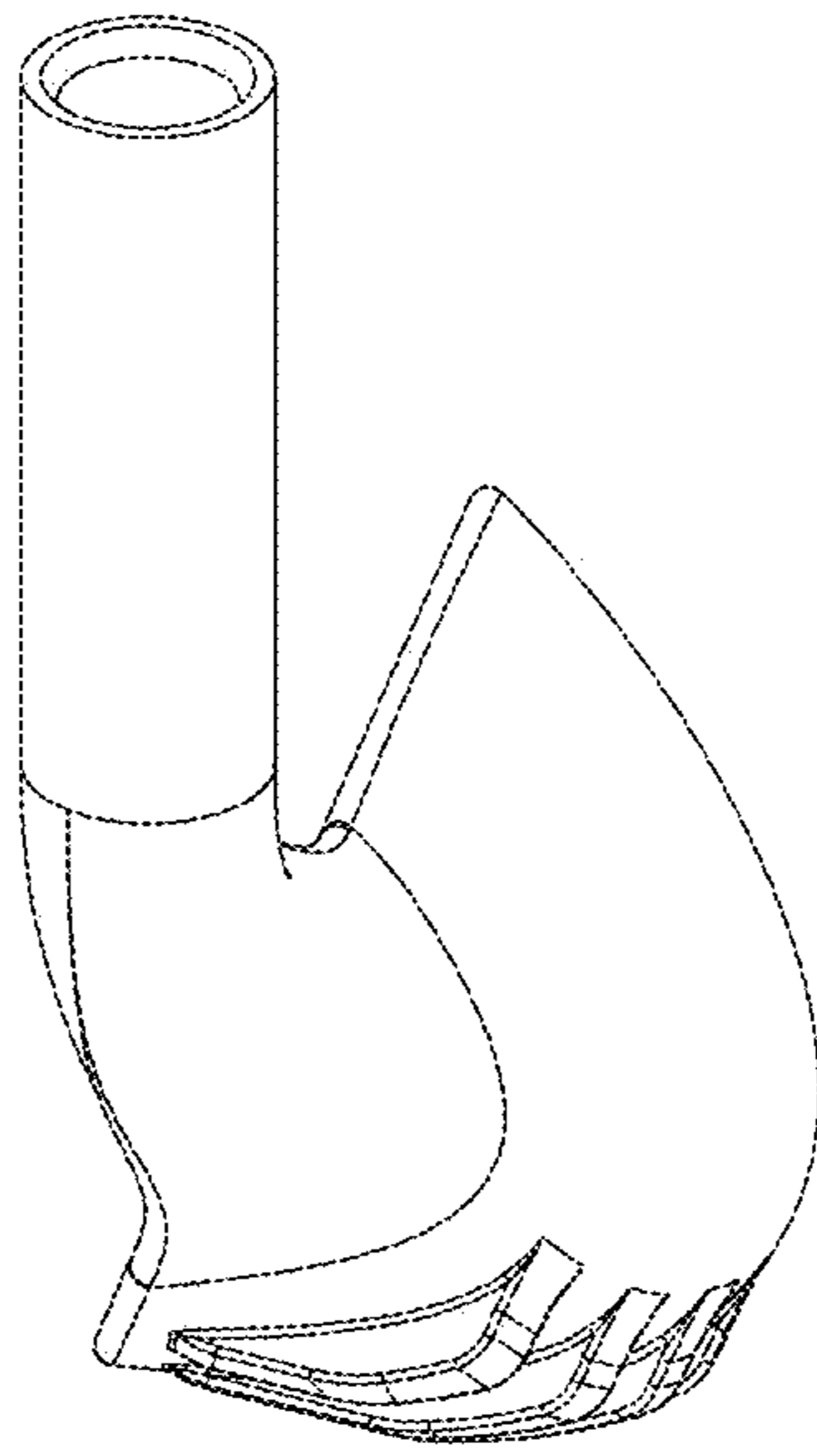


Fig 3

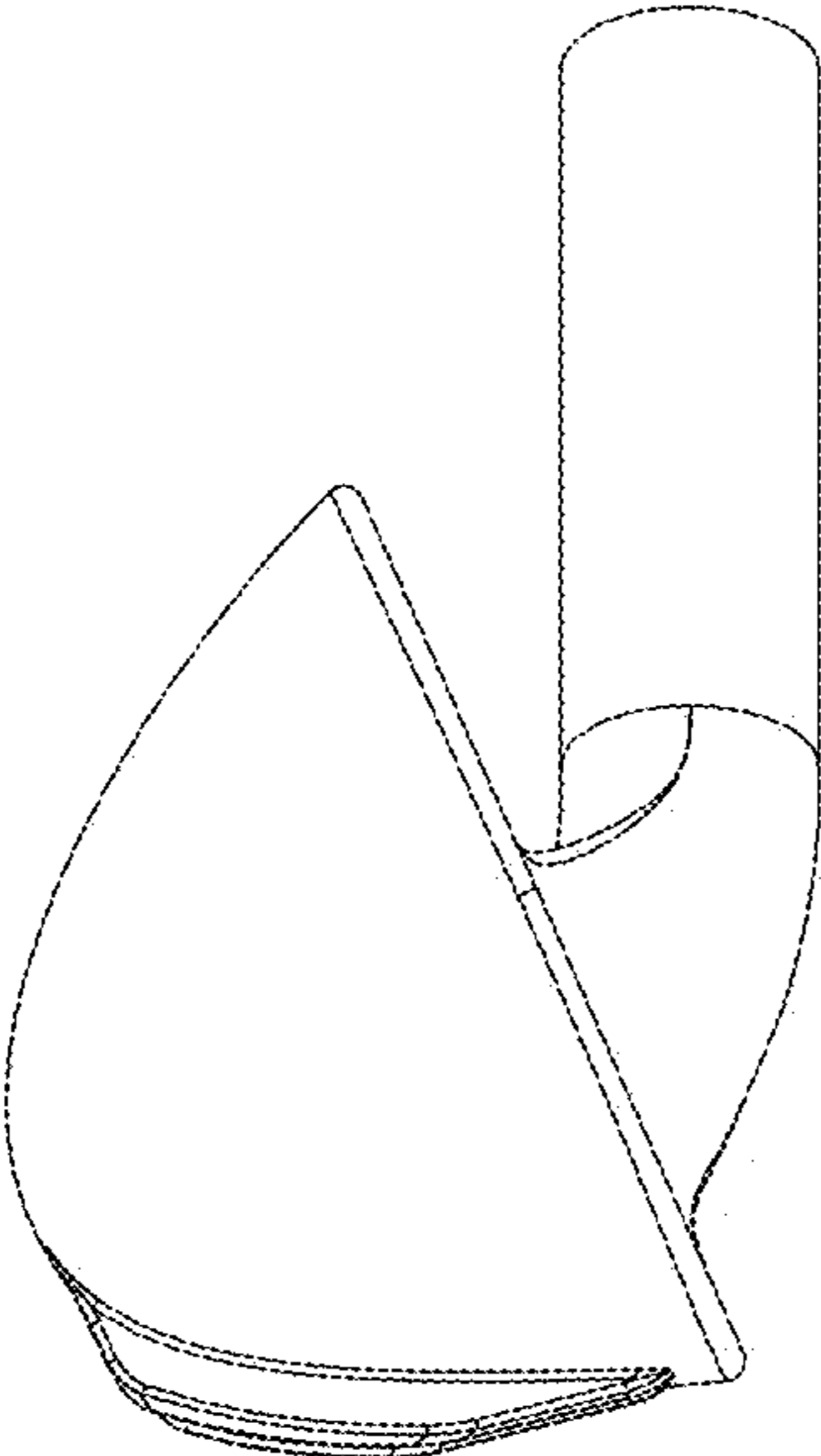


Fig 4

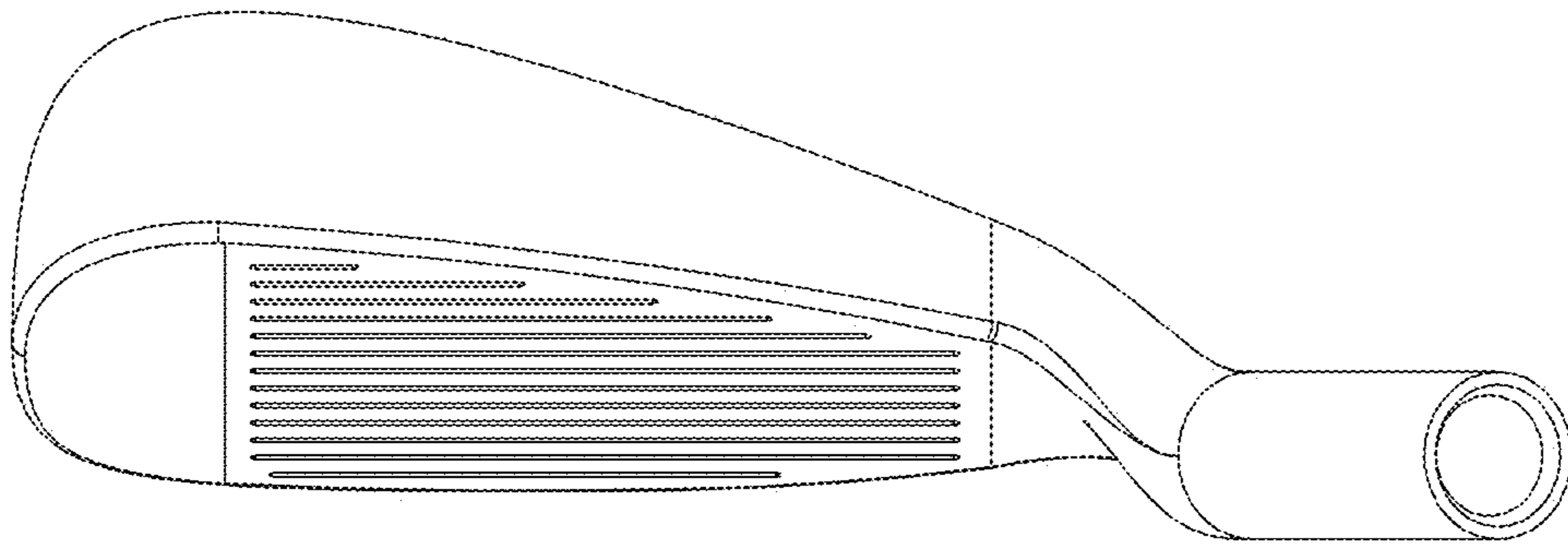


Fig 5

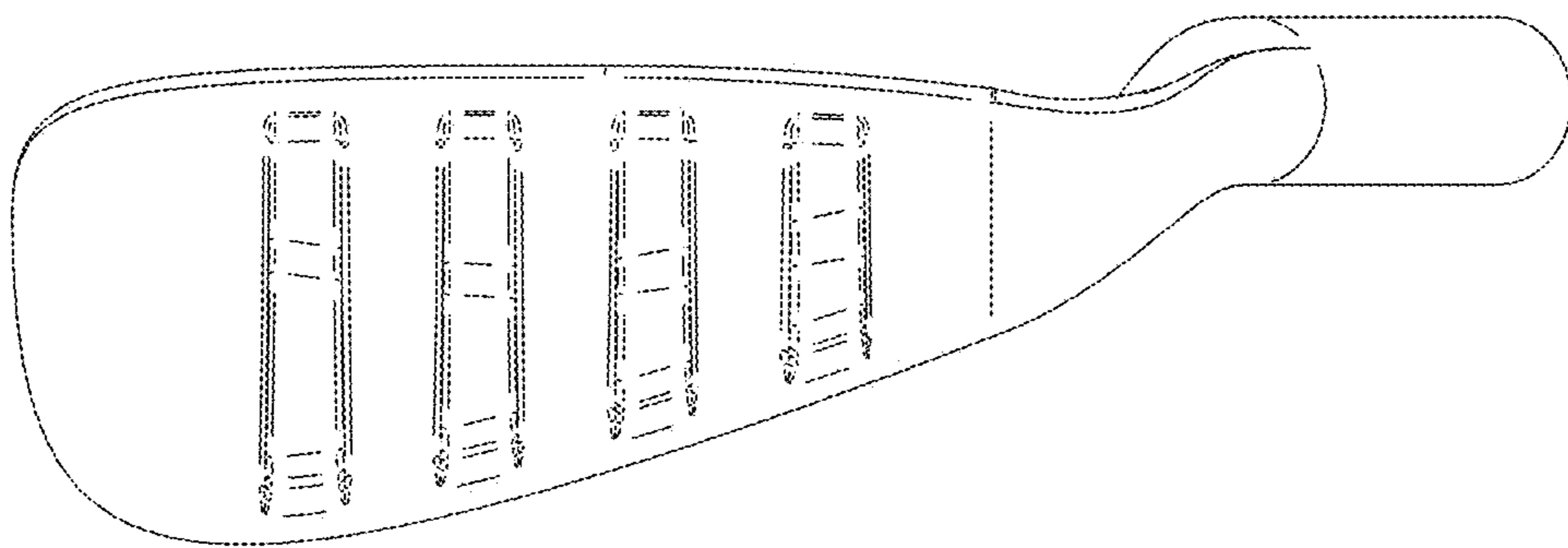


Fig 6

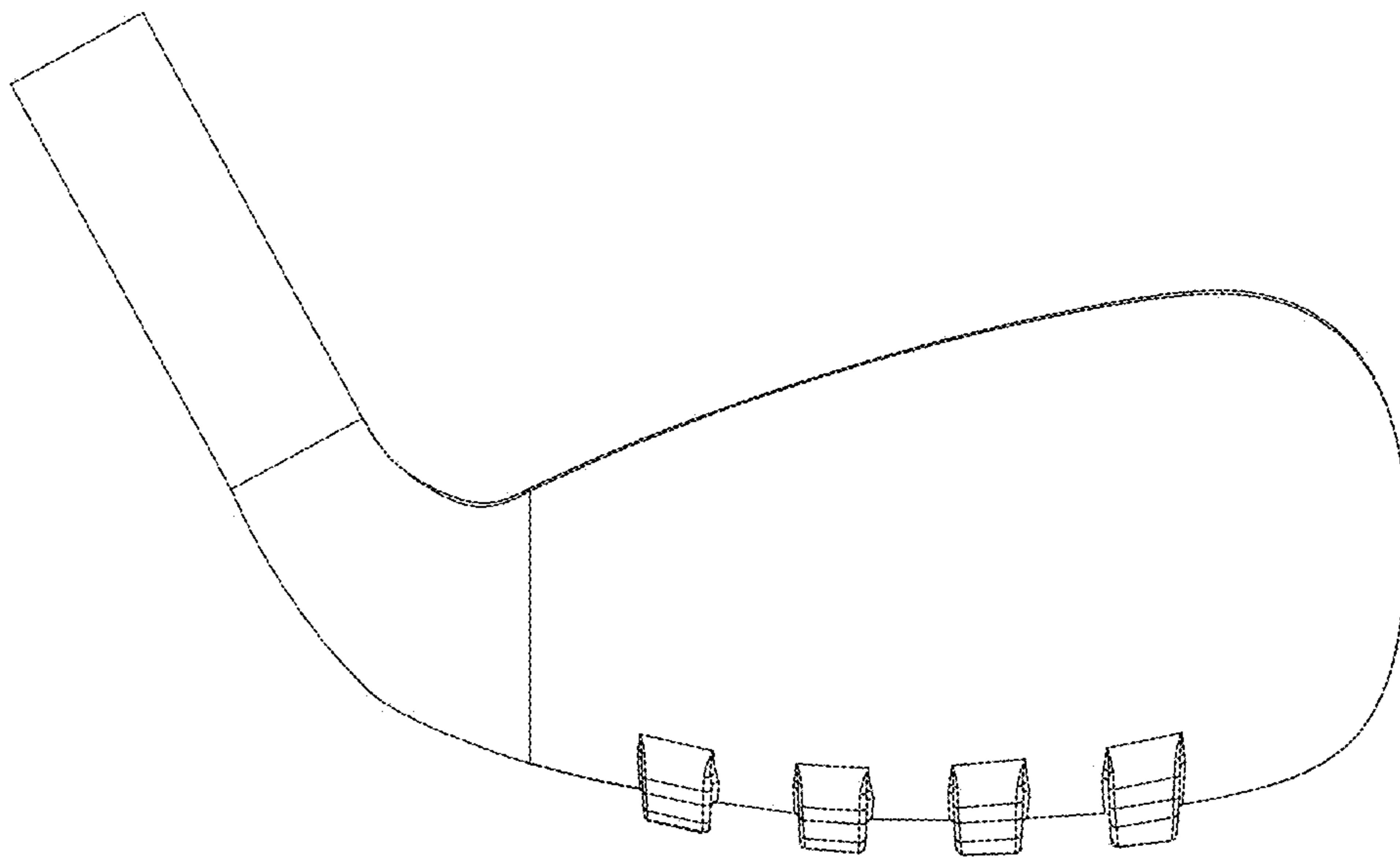


Fig 7