



US00D975811S

(12) **United States Design Patent** (10) **Patent No.:** **US D975,811 S**
Toulon et al. (45) **Date of Patent:** **** *Jan. 17, 2023**

- (54) **PUTTER HEAD** 9,033,812 B2 * 5/2015 Solheim A63B 53/007
473/409
- (71) Applicant: **Callaway Golf Company**, Carlsbad, CA (US) D796,597 S * 9/2017 Serrano D21/736
9,925,434 B2 * 3/2018 Solheim A63B 53/007
D817,425 S * 5/2018 Toulon D21/759
D837,315 S * 1/2019 Rollinson D21/743
D860,351 S * 9/2019 Rollinson D21/743
D865,090 S * 10/2019 Rollinson D21/743
D869,581 S * 12/2019 Aguilar D21/743
10,632,351 B2 * 4/2020 Solheim A63B 53/0487
D898,845 S * 10/2020 Clarke D21/743
D907,147 S * 1/2021 Agrella D21/743
D928,260 S * 8/2021 Serrano D21/743
D930,096 S * 9/2021 Higdon D21/743
- (72) Inventors: **Sean Toulon**, Vista, CA (US); **Luke Williams**, Carlsbad, CA (US); **Patrick Dawson**, San Diego, CA (US); **Gioacchino Glorioso**, Oceanside, CA (US)
- (73) Assignee: **Topgolf Callaway Brands Corp.**, Carlsbad, CA (US)

(*) Notice: This patent is subject to a terminal disclaimer.

(**) Term: **15 Years**

(21) Appl. No.: **29/761,186**

(22) Filed: **Dec. 7, 2020**

(51) **LOC (14) Cl.** **21-02**

(52) **U.S. Cl.**
USPC **D21/736**

(58) **Field of Classification Search**
USPC D21/736-746, 759
CPC A63B 53/00; A63B 53/04; A63B 53/007;
A63B 53/065; A63B 53/0487; A63B
60/00; A63B 60/46

See application file for complete search history.

(56) **References Cited**

U.S. PATENT DOCUMENTS

- D207,227 S * 3/1967 Solheim D21/739
- D239,951 S * 5/1976 Carrier D21/742
- D389,207 S * 1/1998 Cameron D21/742
- D498,276 S * 11/2004 Schweigert D21/743
- D638,892 S * 5/2011 Hettinger D21/743
- D688,339 S * 8/2013 Hilton D21/736
- D689,574 S * 9/2013 Rollinson D21/743

OTHER PUBLICATIONS

Callaway putters google search; google.com; Jun. 1, 2022.*
Callaway golf; <https://www.callawaygolf.com/clubs/odyssey-putters/tri-hot-5k/>; Jun. 1, 2022.*

* cited by examiner

Primary Examiner — Mitchell I. Siegel

(74) *Attorney, Agent, or Firm* — Rebecca Hanovice;
Michael A. Catania; Sonia Lari

(57) **CLAIM**

The ornamental design for a putter head, as shown and described.

DESCRIPTION

FIG. 1 is a top perspective view of the putter head claimed herein;

FIG. 2 is a rear elevational view thereof;

FIG. 3 is a front elevational view thereof;

FIG. 4 is a right side elevational view thereof;

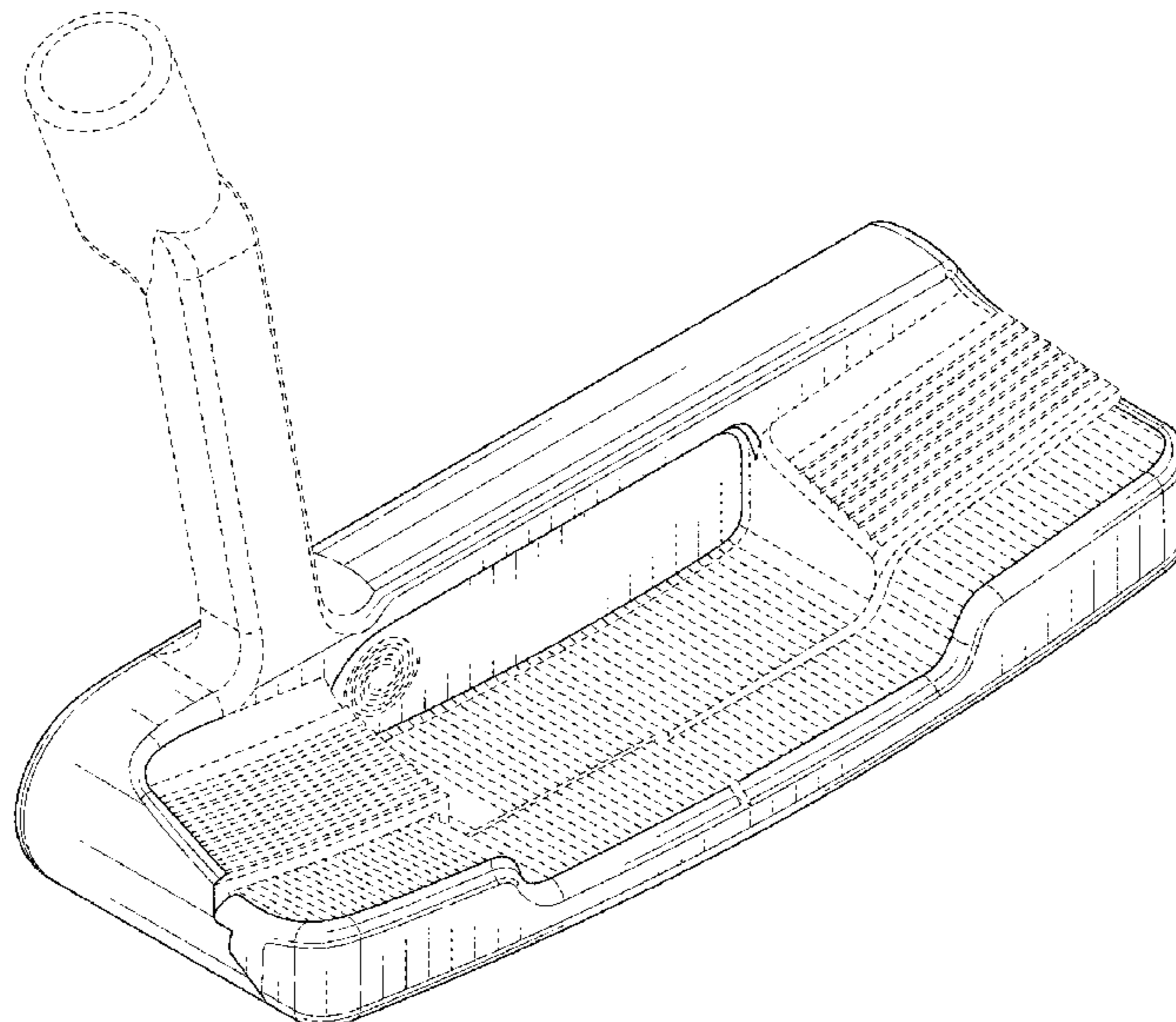
FIG. 5 is a left side elevational view thereof;

FIG. 6 is a top plan view thereof; and,

FIG. 7 is a bottom plan view thereof.

The broken lines shown form no part of the claimed design.

1 Claim, 5 Drawing Sheets



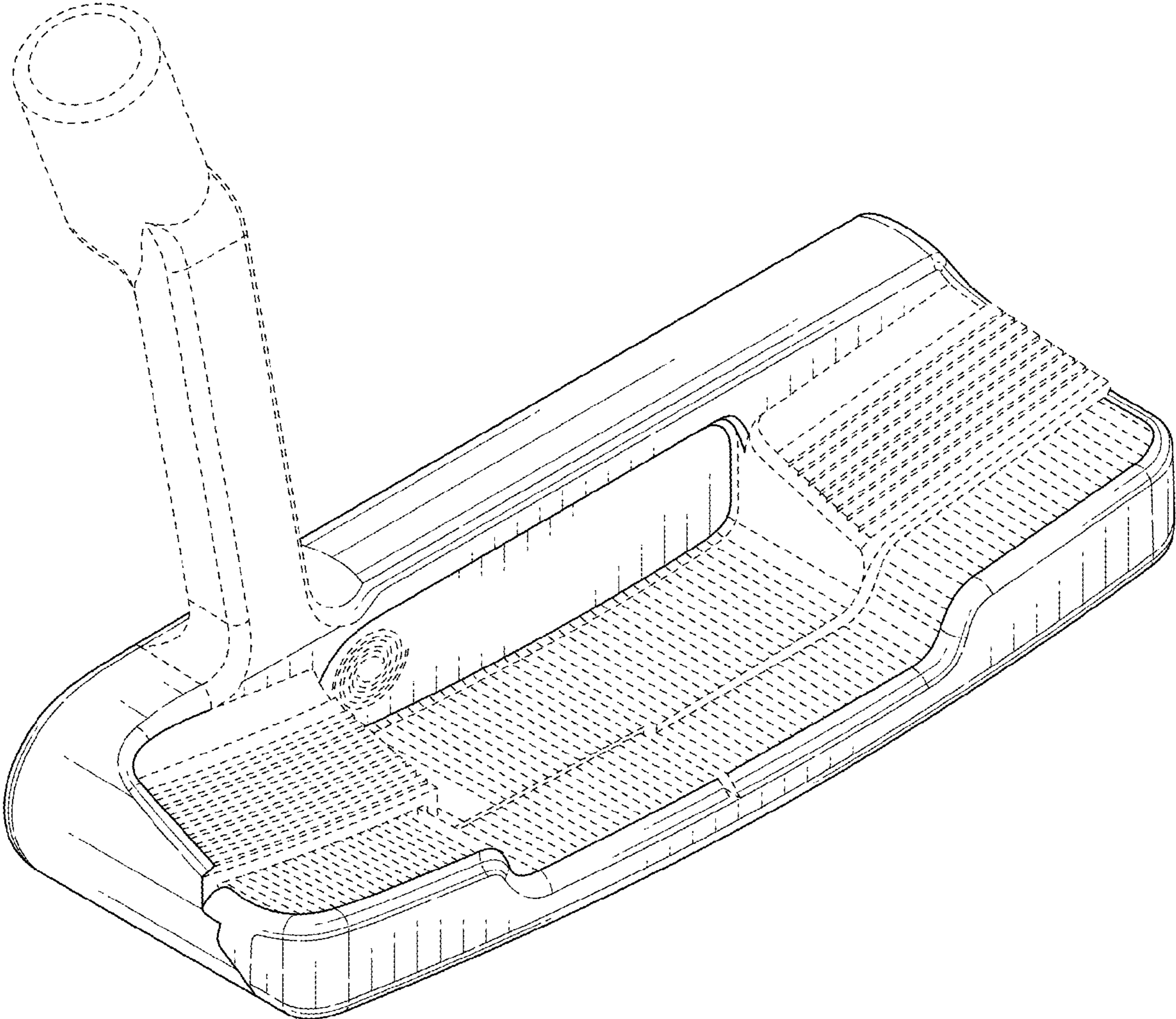


FIG. 1

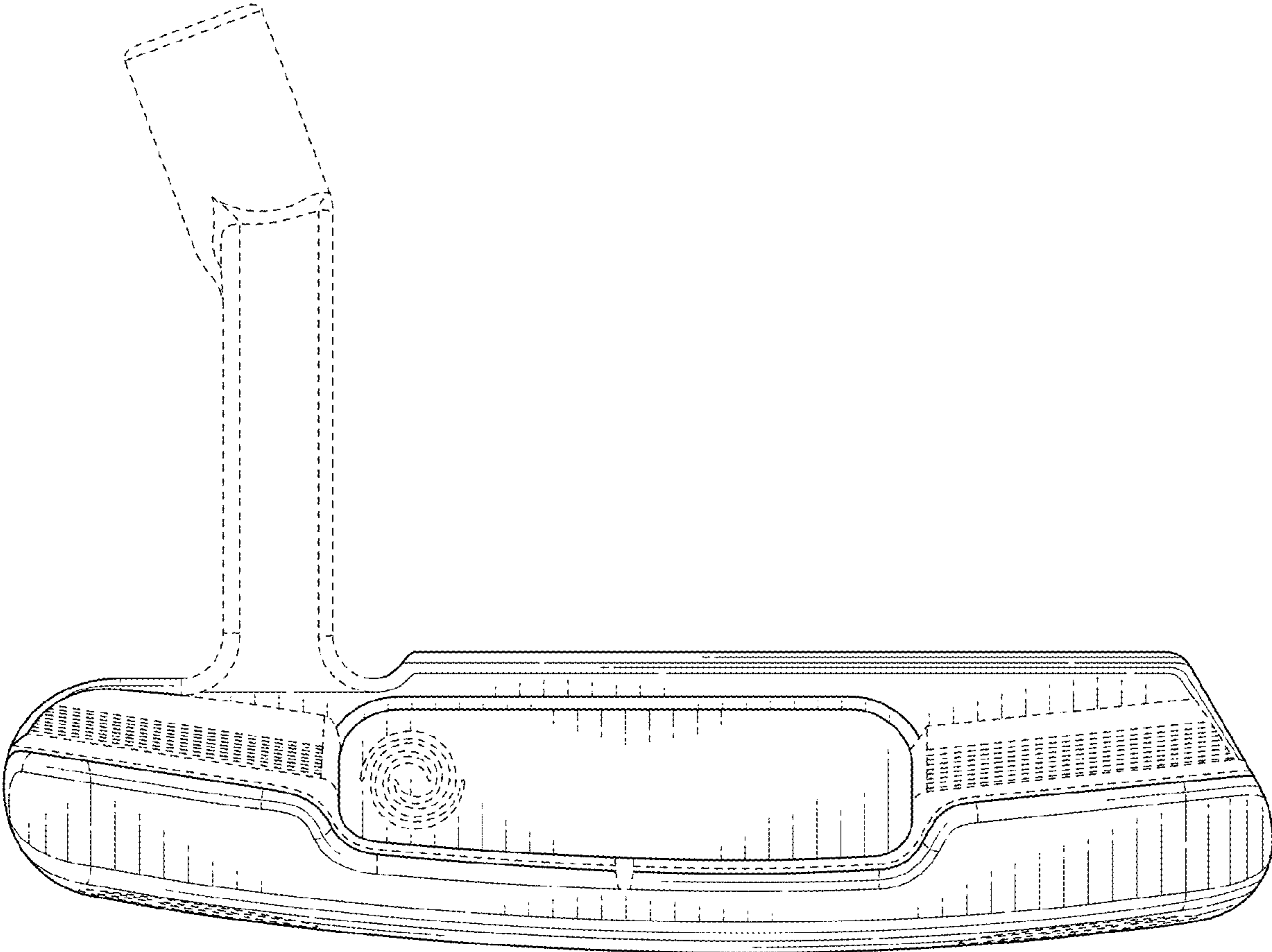


FIG. 2

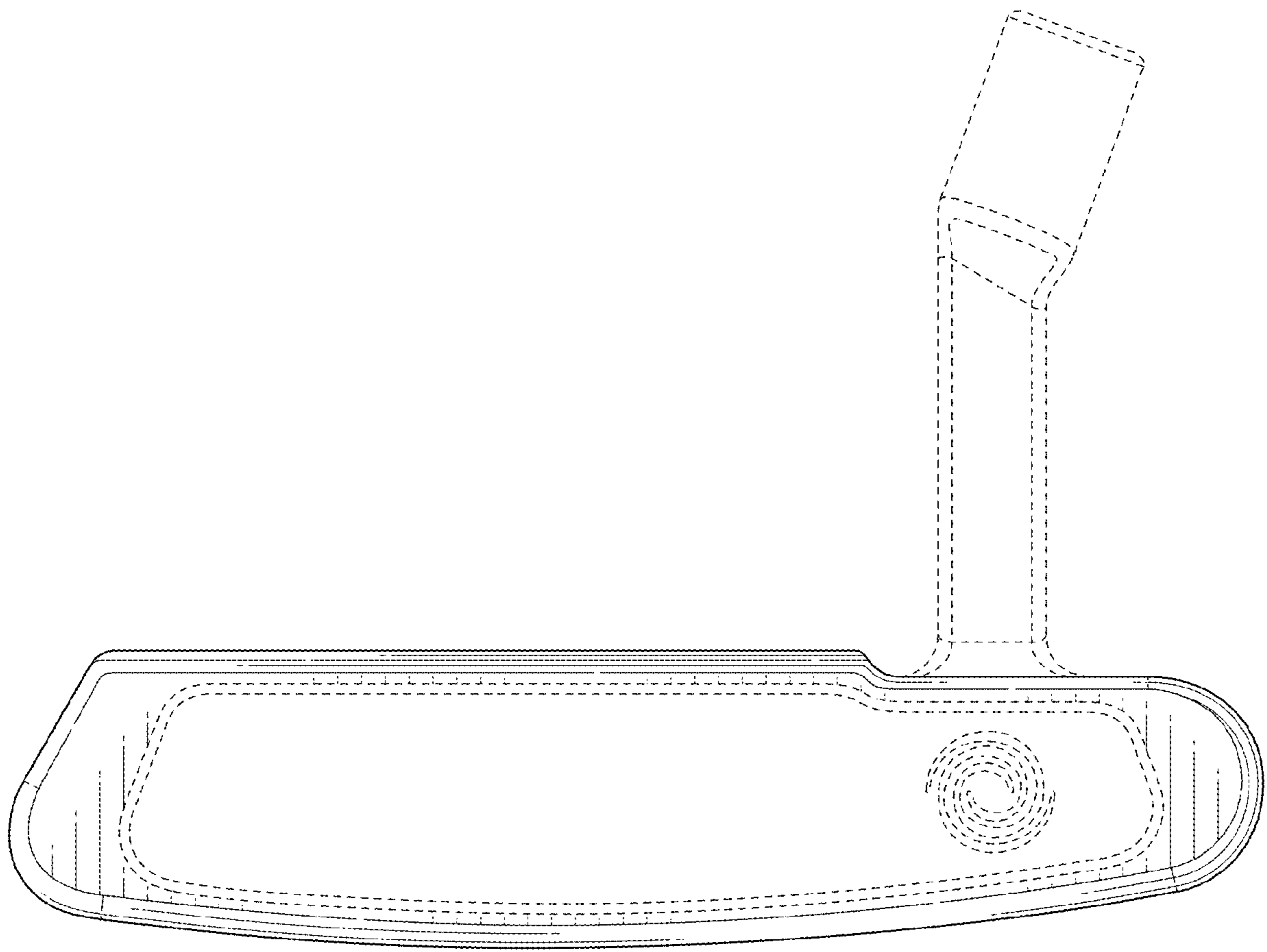


FIG. 3

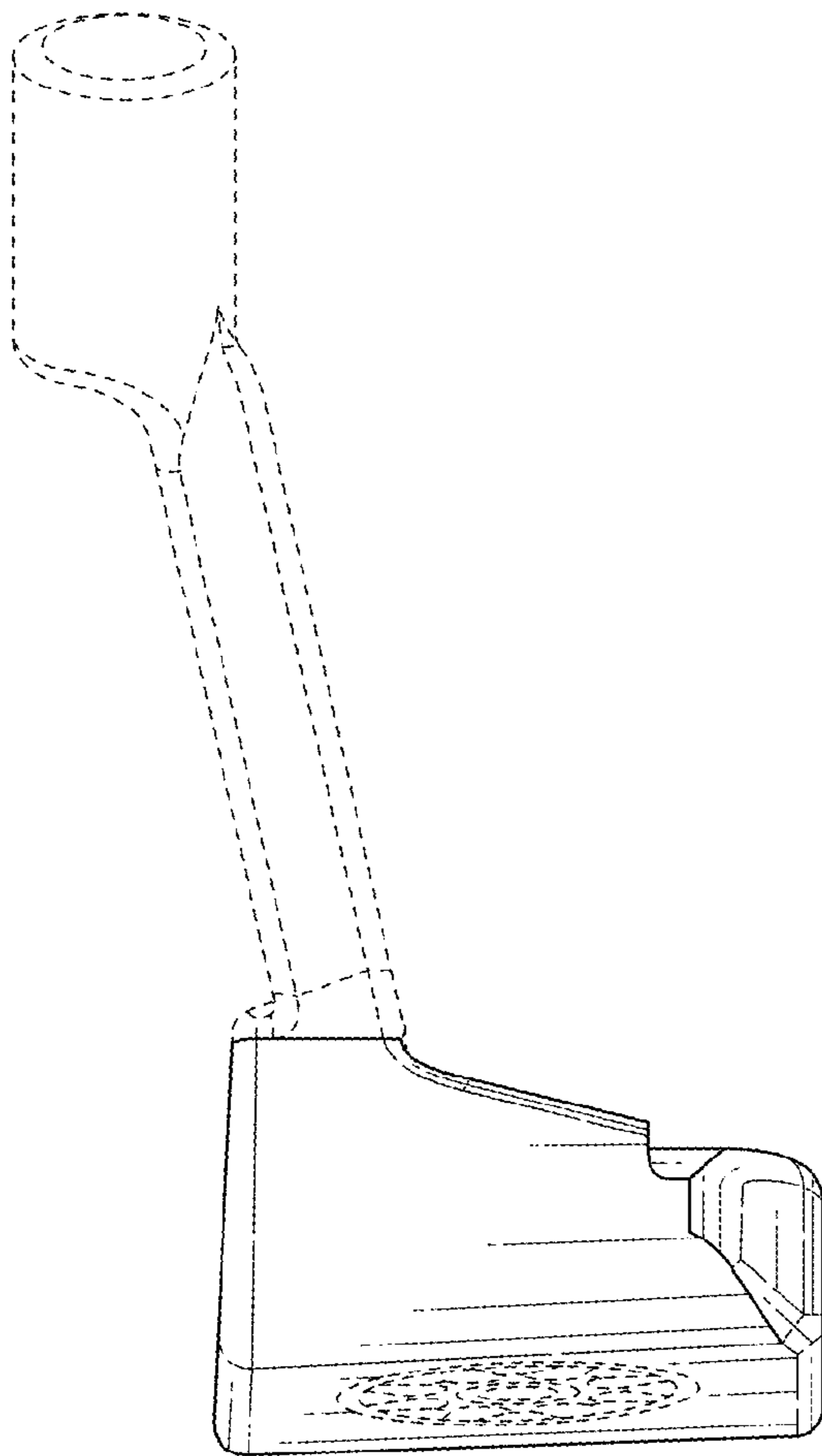


FIG. 4

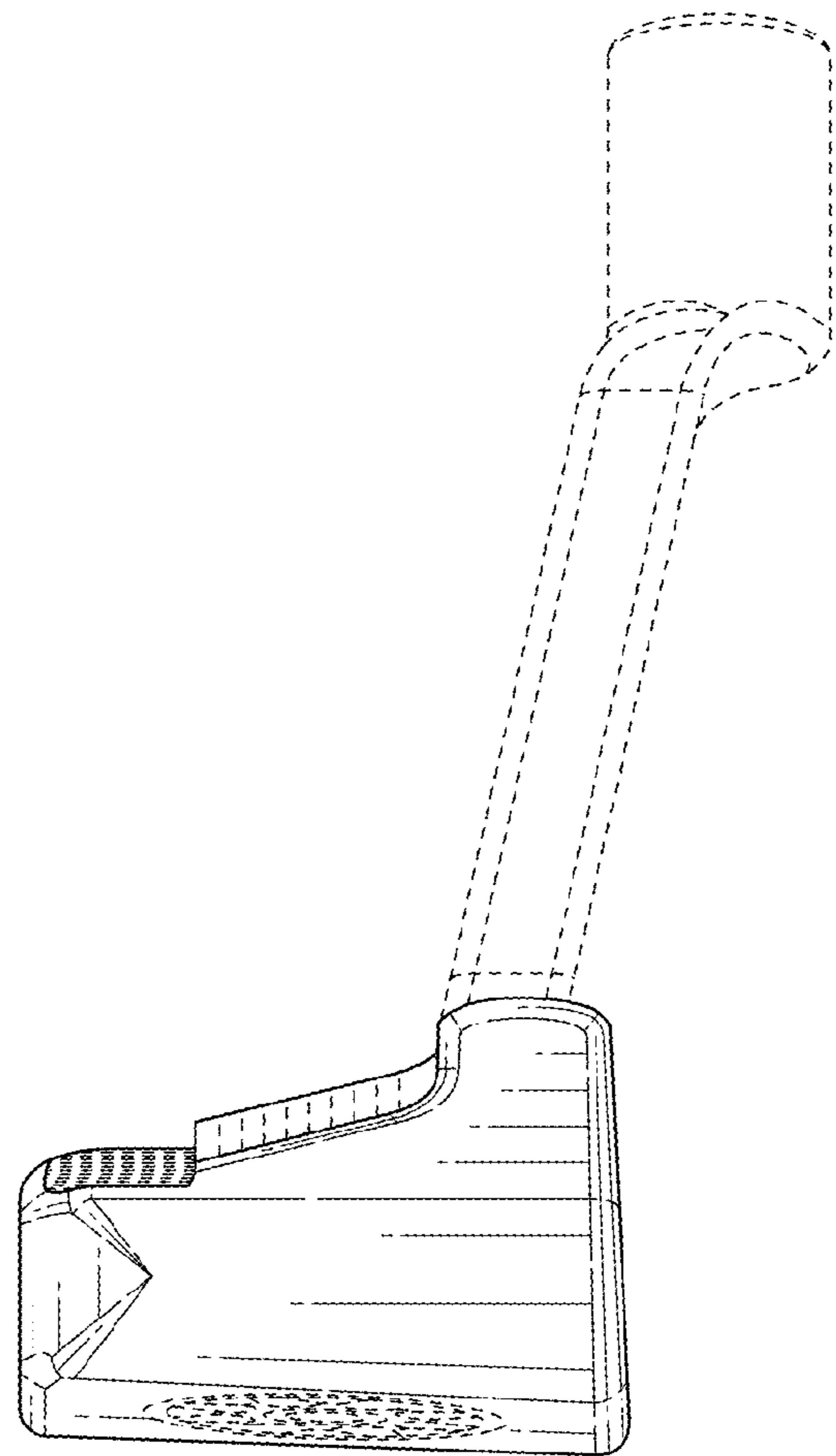


FIG. 5

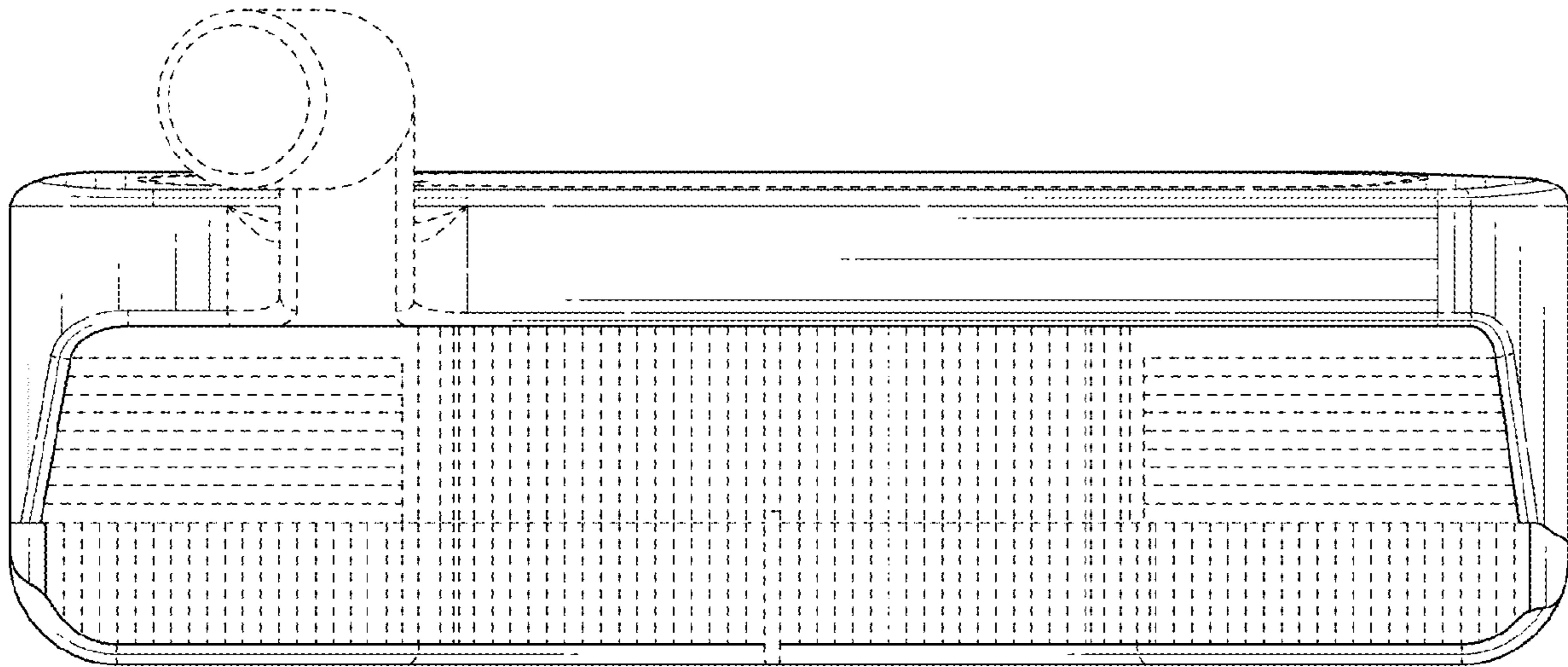


FIG. 6

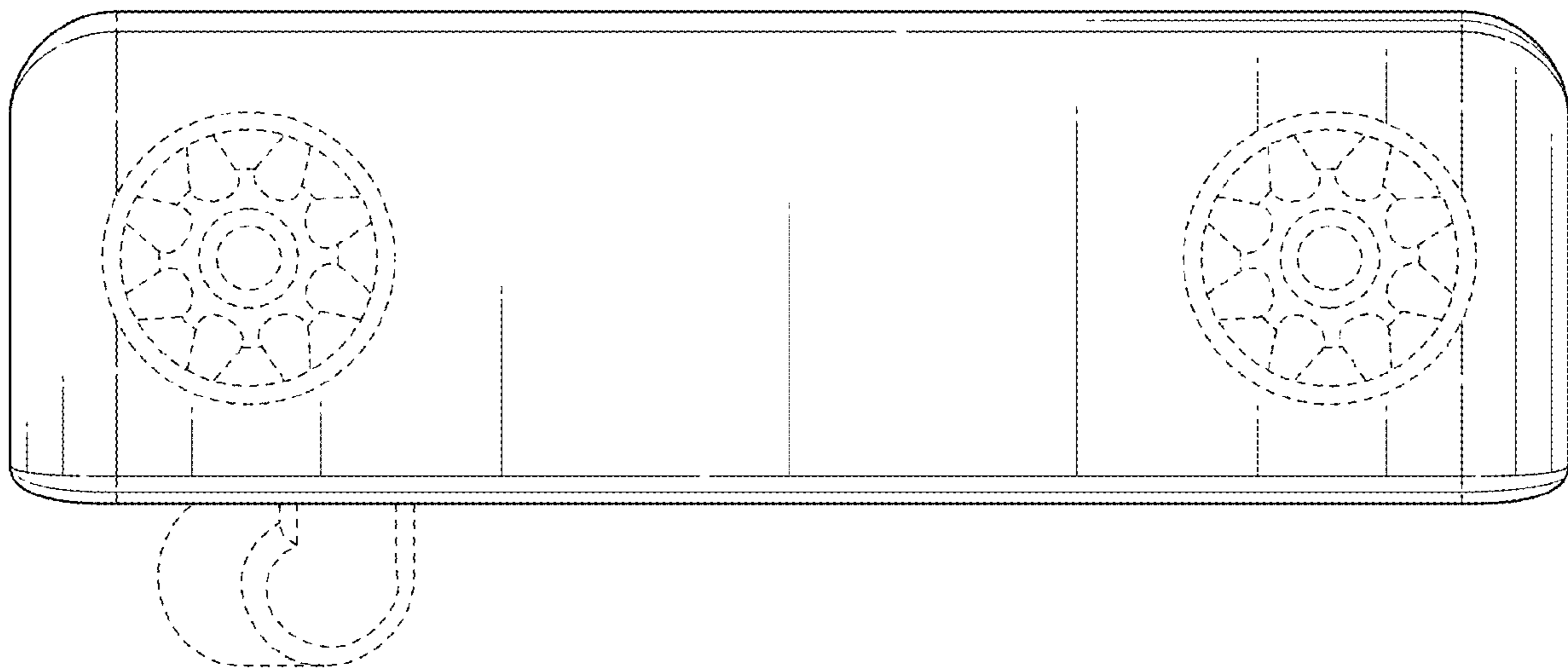


FIG. 7