



US00D975809S

(12) **United States Design Patent**
Chen

(10) **Patent No.:** **US D975,809 S**
(45) **Date of Patent:** **** Jan. 17, 2023**

(54) **ELLIPTIC GRIP**
(71) Applicant: **Anhui Gravity Zhizao Fitness Technology Co., Ltd, Hefei (CN)**
(72) Inventor: **Zhidong Chen, Hefei (CN)**
(73) Assignee: **ANHUI GRAVITY ZHIZAO FITNESS TECHNOLOGY CO., LTD, Hefei (CN)**
(**) Term: **15 Years**
(21) Appl. No.: **29/782,308**

8,220,360 B2 * 7/2012 Li B62K 21/26
D669,142 S * 10/2012 Mattern D21/680
D669,945 S * 10/2012 Russo D21/682
D696,923 S * 1/2014 Ichikawa D8/303
D721,773 S * 1/2015 Marooth D21/694
D739,484 S * 9/2015 Kaye D21/694
D775,926 S * 1/2017 Atkins D8/303
9,901,771 B1 * 2/2018 Silver A63B 71/00
D812,700 S * 3/2018 Silver D21/694
D822,772 S * 7/2018 Jorgenson D24/211
10,335,628 B1 * 7/2019 Scarpa A63B 21/00061
D867,492 S * 11/2019 Didia D21/694
D899,888 S * 10/2020 Xu D8/303
D965,710 S * 10/2022 Xu D21/682
2012/0208683 A1 * 8/2012 Hartman A63B 23/12
(Continued)

(22) Filed: **May 6, 2021**
(30) **Foreign Application Priority Data**
Apr. 2, 2021 (CN) 202130186002.5
(51) **LOC (14) Cl.** **21-02**
(52) **U.S. Cl.**
USPC **D21/694**
(58) **Field of Classification Search**
USPC D6/552; D21/662, 667-682, 685, 686,
D21/692, 694, 691, 683, 684, 756, 49;
D24/214, 215; D30/160
CPC . A63B 21/0724; A63B 21/0726; A63B 23/16;
A63B 21/0442; A63B 21/0552; A63B
60/08; A63B 21/4035; A63B 53/14; A63B
21/00061; A63B 23/1218; A63B 60/10;
A63B 23/12; B62K 21/26; B25G 1/10;
H01L 21/6704
See application file for complete search history.

(56) **References Cited**
U.S. PATENT DOCUMENTS
D403,035 S * 12/1998 MacPherson D21/684
6,080,092 A * 6/2000 Cercone H01L 21/6704
D616,950 S * 6/2010 Hersee D8/303
D637,244 S * 5/2011 Davis D21/662

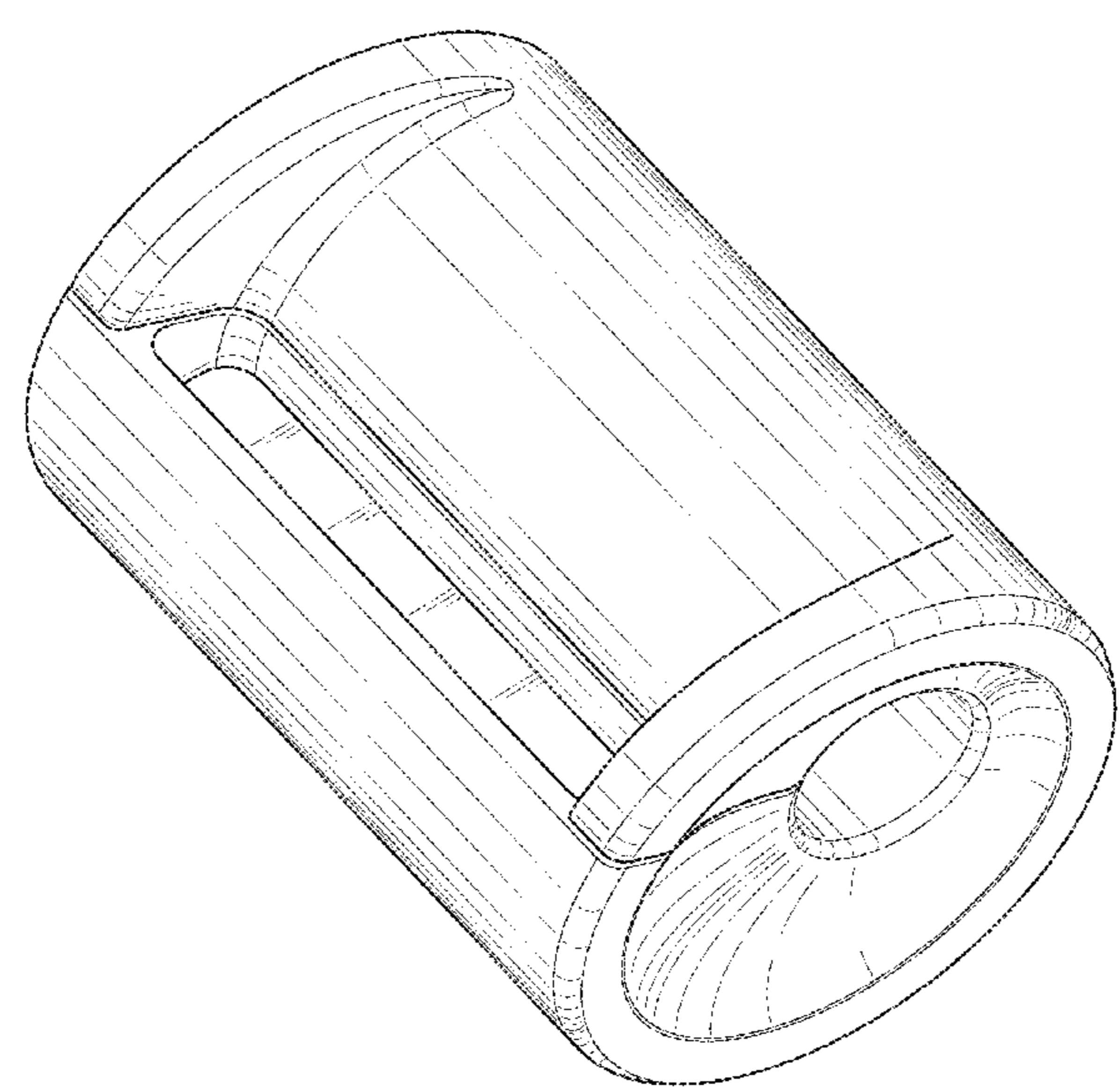
OTHER PUBLICATIONS
“Fat Gripz” Jun. 2012, Rogue Fitness, site visited Oct. 18, 2022:
<https://bit.ly/3CltsD2> (Year: 2012).*
(Continued)

Primary Examiner — Jennifer L Rempfer
Assistant Examiner — Salamah Jordan
(74) *Attorney, Agent, or Firm* — Bayramoglu Law Offices LLC

(57) **CLAIM**
The ornamental design for an elliptic grip, as shown and described.

DESCRIPTION
FIG. 1 is a perspective view of an elliptic grip showing my new design;
FIG. 2 is a left side view thereof;
FIG. 3 is a right side view thereof;
FIG. 4 is a front view thereof;
FIG. 5 is a rear view thereof; and,
FIG. 6 is a bottom view thereof, a top view being a mirror image of the bottom view.

1 Claim, 6 Drawing Sheets



(56)

References Cited

U.S. PATENT DOCUMENTS

2013/0045816 A1* 2/2013 Lewis A63B 60/10
2013/0196824 A1* 8/2013 Ross A63B 23/1218
2014/0274614 A1* 9/2014 Newman A63B 21/4035
2015/0251306 A1* 9/2015 Paul B25G 1/10
2019/0159714 A1* 5/2019 Nagasu A63B 24/0062
2021/0052938 A1* 2/2021 Rabiner A63B 21/4035
2021/0154542 A1* 5/2021 Sliepka A63B 53/14
2021/0154546 A1* 5/2021 Sliepka A63B 60/08
2021/0205657 A1* 7/2021 Lewis, Jr. A63B 21/4035
2022/0096904 A1* 3/2022 Chen A63B 60/08
2022/0126162 A1* 4/2022 Jones A63B 21/0552
2022/0134176 A1* 5/2022 Alford A63B 21/0442

OTHER PUBLICATIONS

“3 Must-Do Exercises” Jan. 9, 2020, Youtube, site visited Oct. 18, 2022: <https://www.youtube.com/watch?v=trbc8RSgUow> (Year: 2020).*

“Iadumo Barbell Grips” Mar. 8, 2019, Amazon, site visited Oct. 18, 2022: <https://amzn.to/3EQyL64> (Year: 2019).*

“Hikeen Thick Bar Dumbbell Grips” Feb. 19, 2022, Amazon, site visited Oct. 18, 2022: <https://amzn.to/3eDckIB> (Year: 2022).*

* cited by examiner

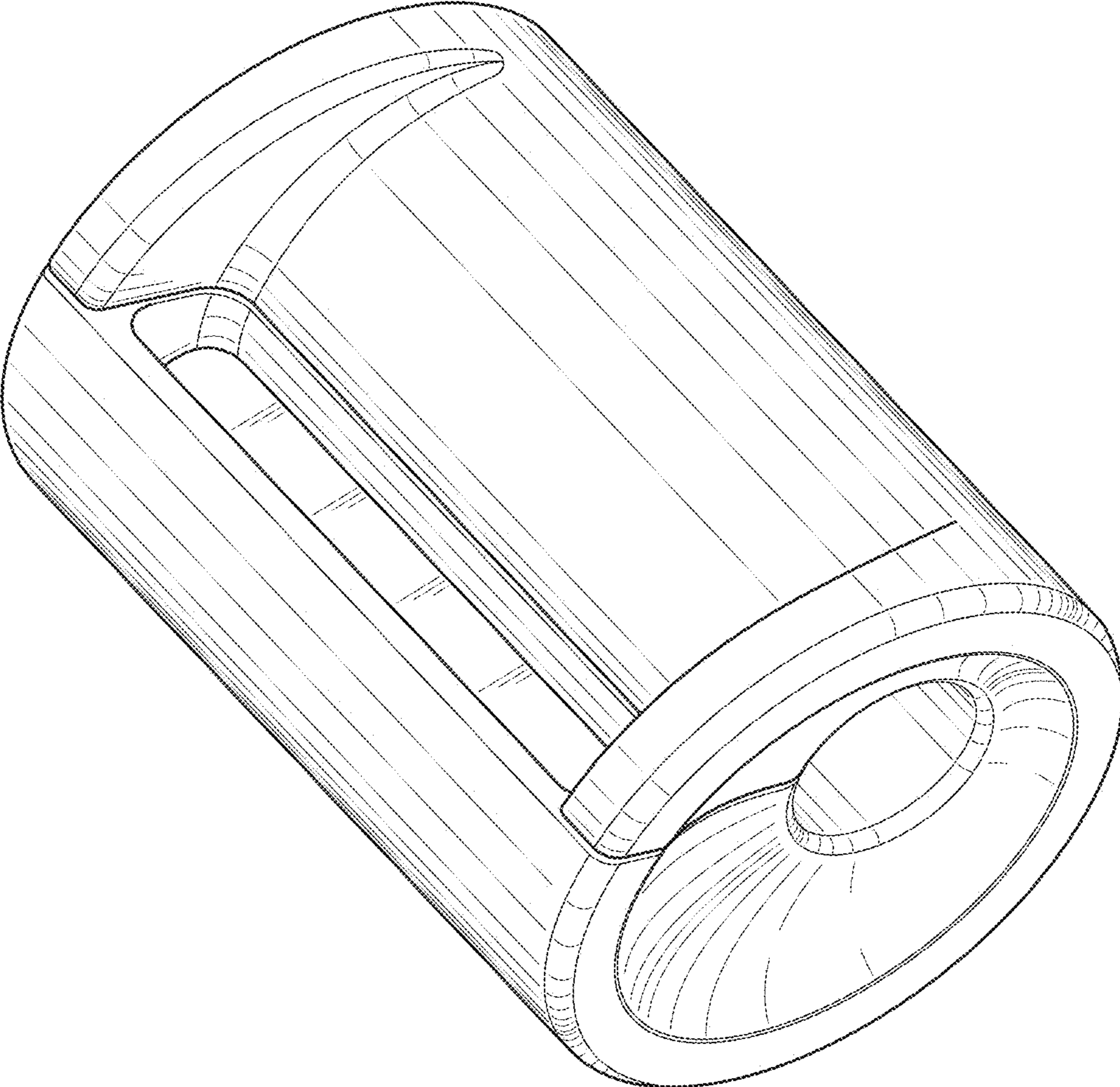


Fig. 1

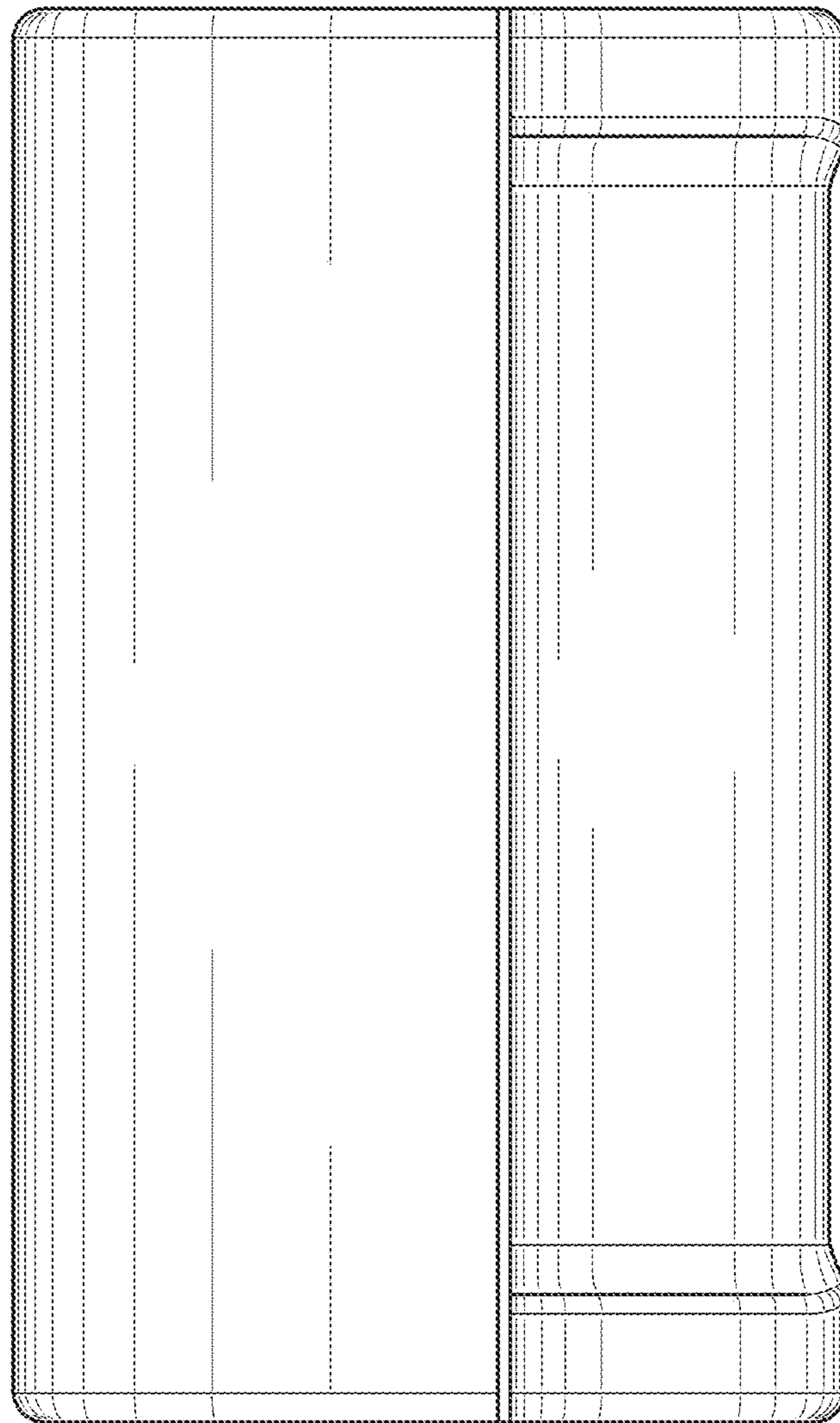


Fig. 2

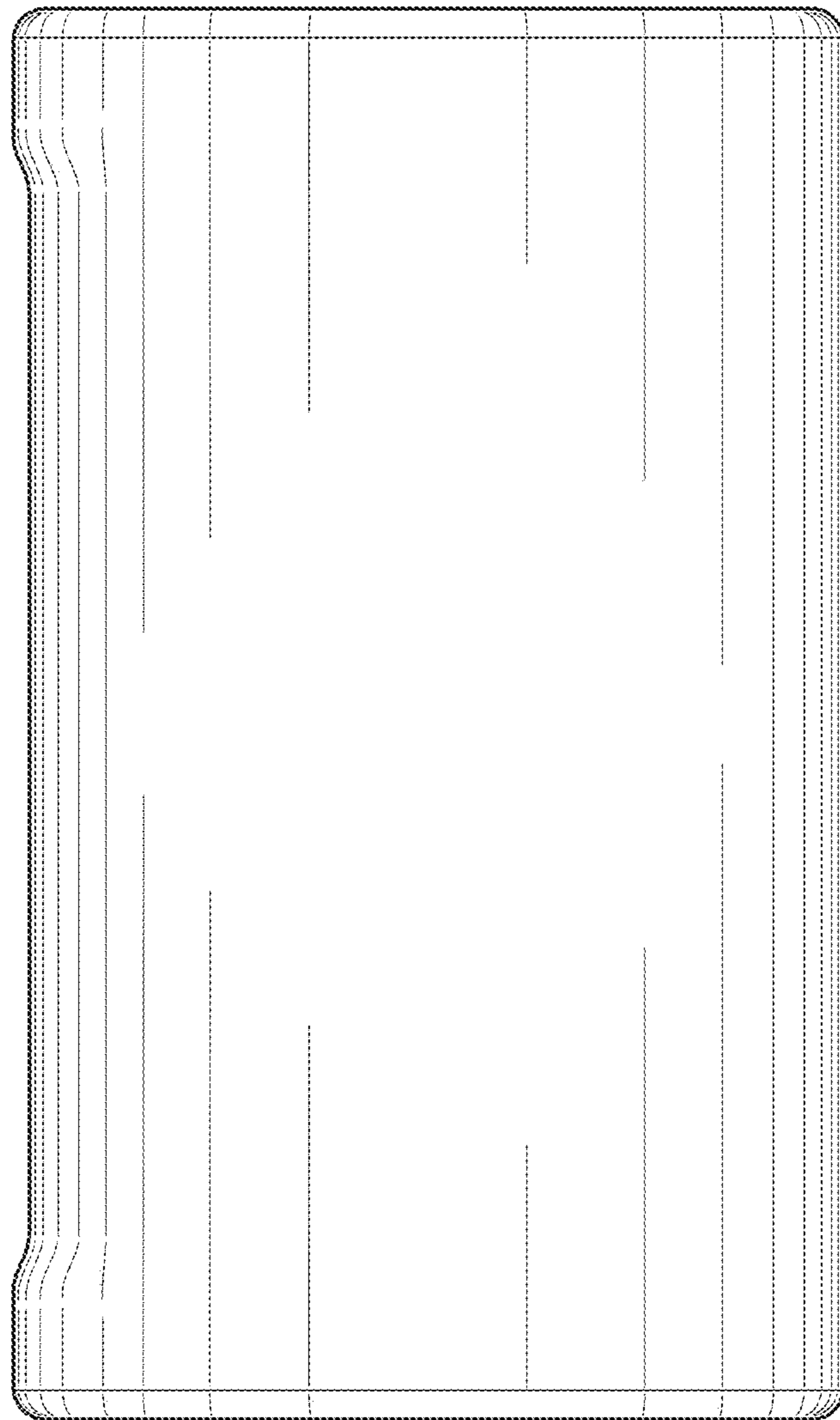


Fig. 3

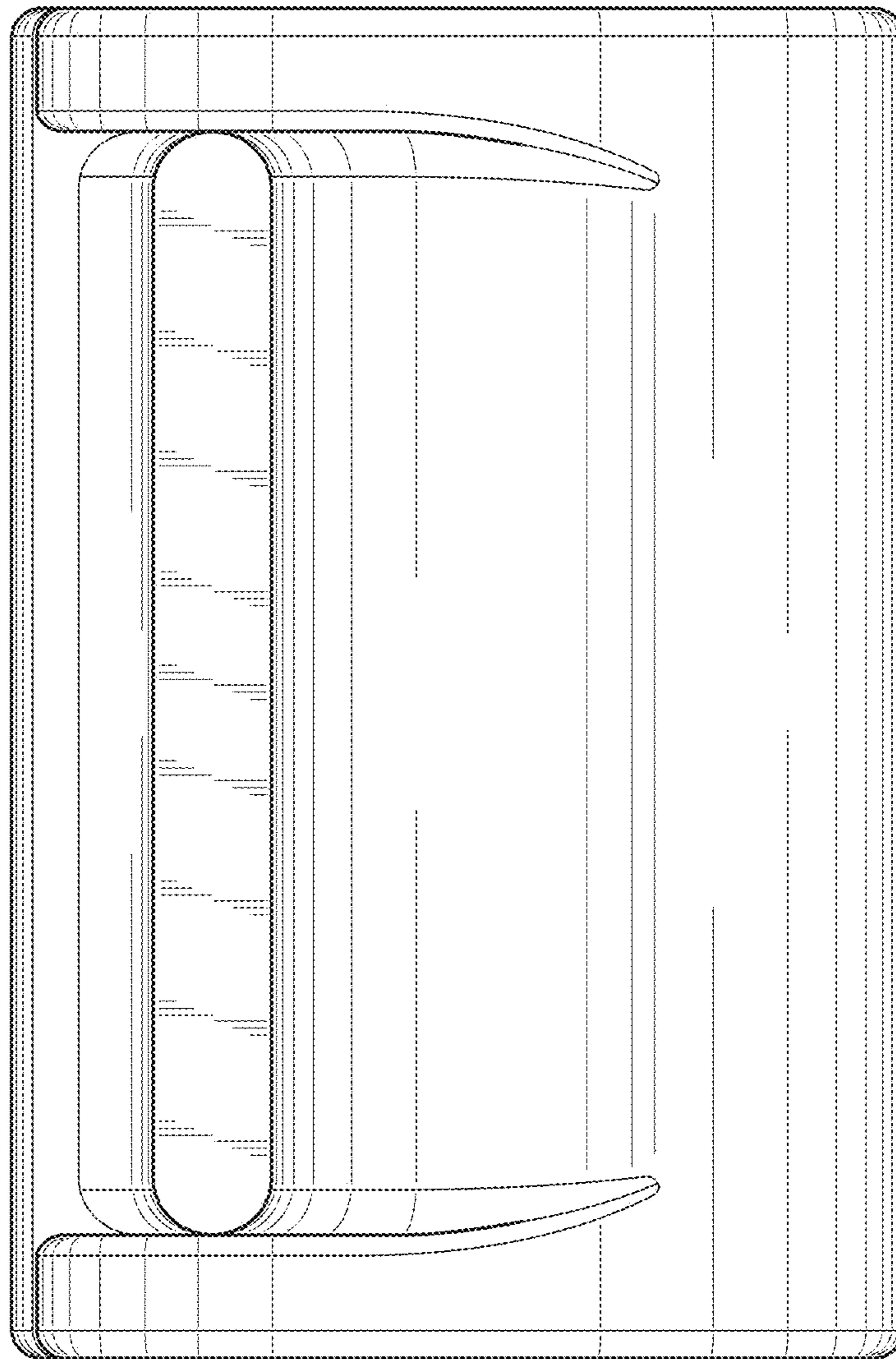


Fig. 4

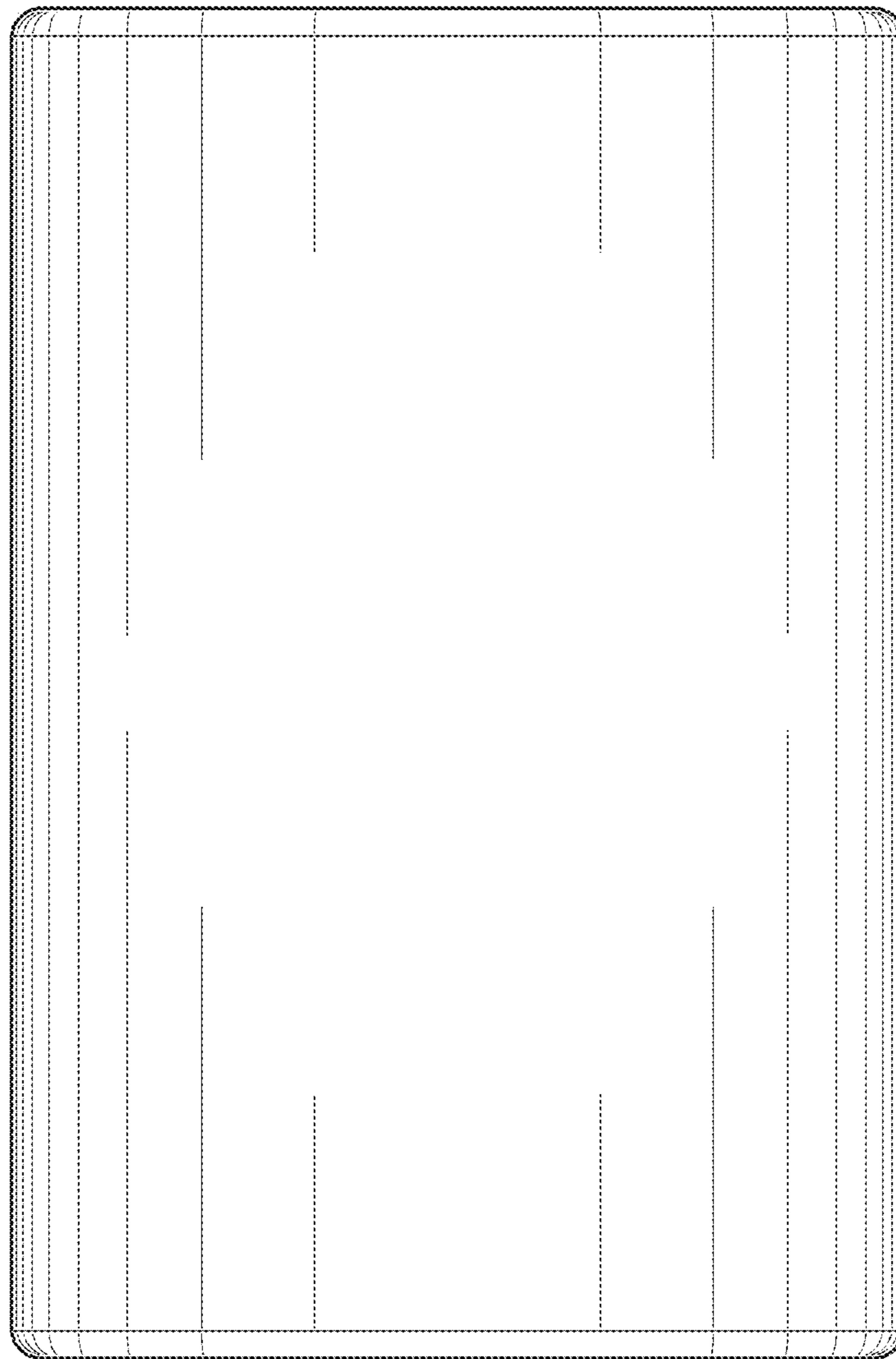


Fig. 5

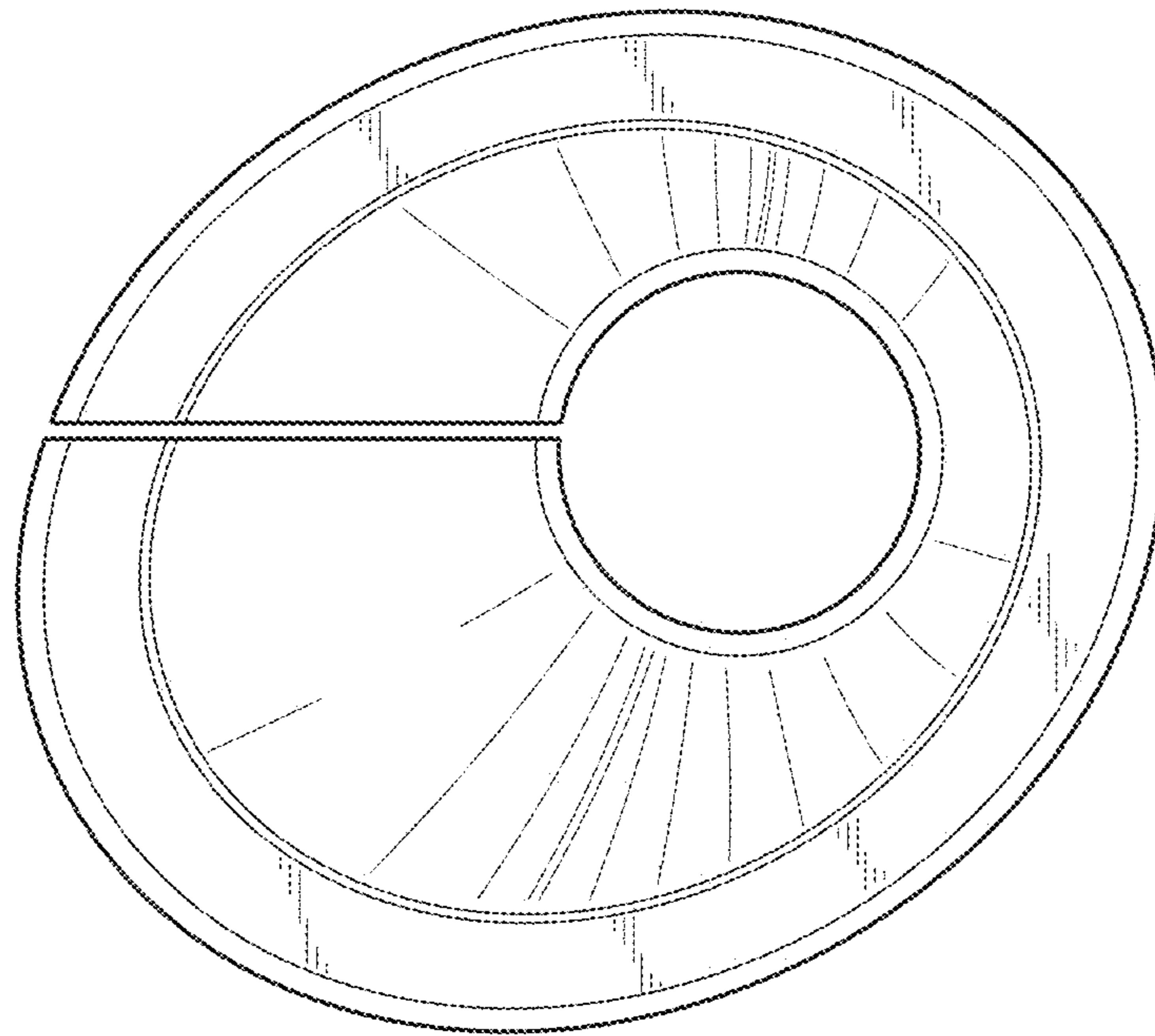


Fig. 6