



US00D975808S

(12) **United States Design Patent**
Peng

(10) **Patent No.:** **US D975,808 S**
(45) **Date of Patent:** **** Jan. 17, 2023**

(54) **EXERCISING APPARATUS**

(71) Applicant: **Yanhong Peng**, Hunan Province (CN)

(72) Inventor: **Yanhong Peng**, Hunan Province (CN)

(*) Notice: Patent file contains an affidavit/declaration under 37 CFR 1.130(b).

(**) Term: **15 Years**

(21) Appl. No.: **29/840,813**

(22) Filed: **Jun. 1, 2022**

(51) **LOC (14) Cl.** **21-02**

(52) **U.S. Cl.**
USPC **D21/692**

(58) **Field of Classification Search**
USPC D21/685, 693, 698, 771, 773, 774, 753,
D21/756, 807, 692, 679, 686, 673, 681,
D21/682, 691, 694, 662, 797, 665, 683,
D21/684, 677; D24/190

See application file for complete search history.

(56) **References Cited**

U.S. PATENT DOCUMENTS

4,909,505	A *	3/1990	Tee	A63B 21/0552
					482/121
D399,910	S *	10/1998	Eckmann	D21/682
D403,036	S *	12/1998	Ashcraft	D21/686
D437,623	S *	2/2001	Ormsby	D30/153
D566,797	S *	4/2008	Yewdall	D21/687
D784,471	S *	4/2017	Labonte	D21/771
D798,972	S *	10/2017	Wallace	D21/692
D805,141	S *	12/2017	Nicoud	D21/684
9,987,512	B1 *	6/2018	Romfo	A63B 21/4043
D829,286	S	9/2018	Bae		
D877,825	S *	3/2020	Hodes	D21/682
D891,539	S *	7/2020	Sun	D21/681

D911,464	S *	2/2021	Lu	D21/692
2014/0302971	A1 *	10/2014	Vining, III	A63B 23/0355
					482/129
2016/0346589	A1 *	12/2016	Emick	A63B 21/0628

OTHER PUBLICATIONS

KKH, announced Jan. 27, 2021 [online], [site visited Jul. 22, 2022], Available on internet, URL: [https://www.amazon.com/KKH-Ergonomic-Non-Slip-Attachment-Exercise/dp/B08V57DWCF/ref=\(Year: 2021\).*](https://www.amazon.com/KKH-Ergonomic-Non-Slip-Attachment-Exercise/dp/B08V57DWCF/ref=(Year: 2021).*)

* cited by examiner

Primary Examiner — Khawaja Anwar
Assistant Examiner — Julice Seung Eun Oum

(57) **CLAIM**

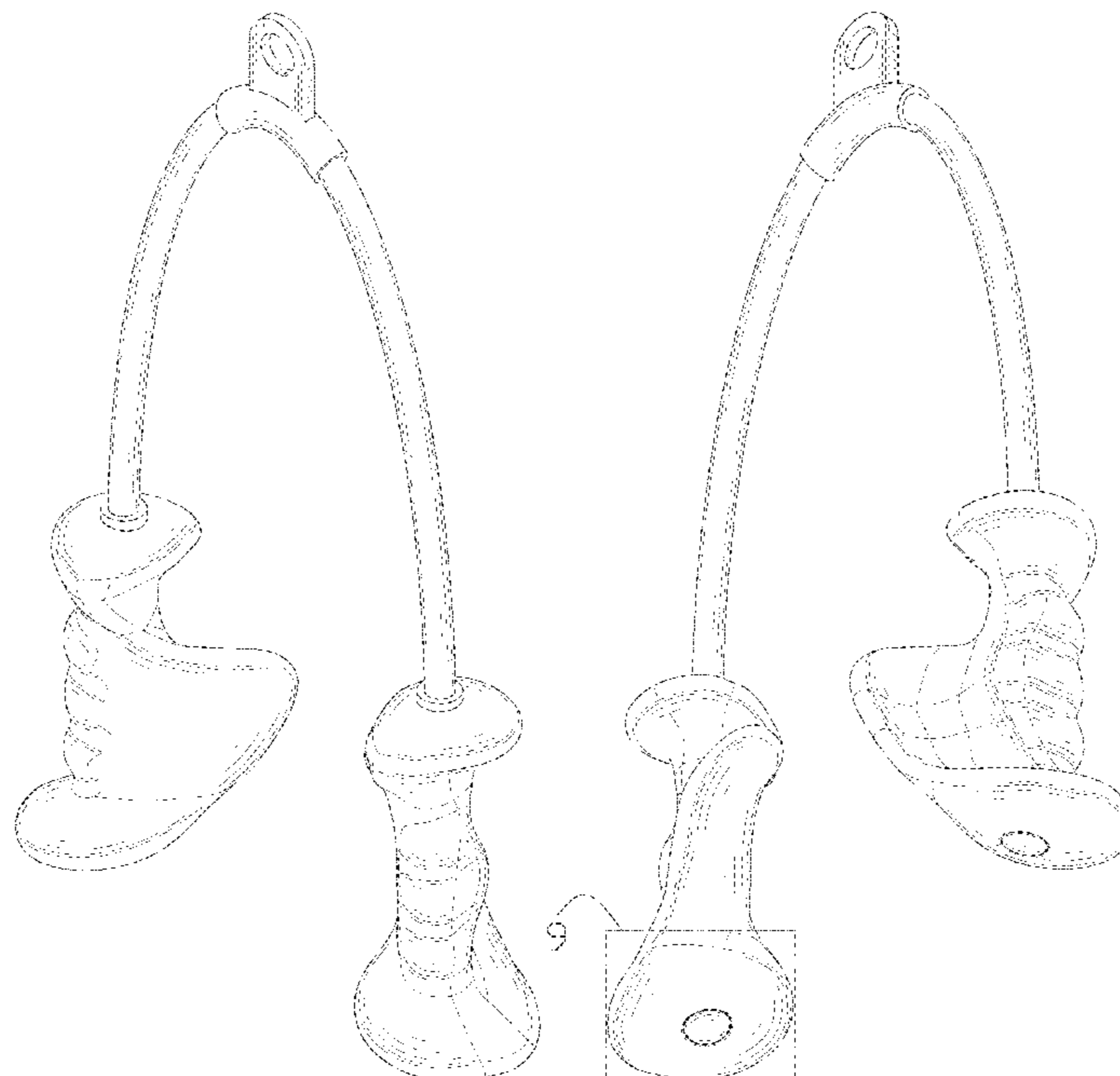
The ornamental design for an exercising apparatus, as shown and described.

DESCRIPTION

FIG. 1 is a front and top perspective view of an exercising apparatus, showing my new design;
FIG. 2 is a rear and bottom perspective view thereof;
FIG. 3 is a front elevation view thereof;
FIG. 4 is a rear elevation view thereof;
FIG. 5 is a left side elevation view thereof;
FIG. 6 is a right side elevation view thereof;
FIG. 7 is atop plan view thereof;
FIG. 8 is a bottom plan view thereof; and,
FIG. 9 is an enlarged view of a portion indicated with numeric 9 in FIG. 2.

The dash dot dash lines in FIGS. 2 and 9 are for the purpose of depicting the boundary lines of the enlarged view and form no part of the claimed design.

1 Claim, 9 Drawing Sheets



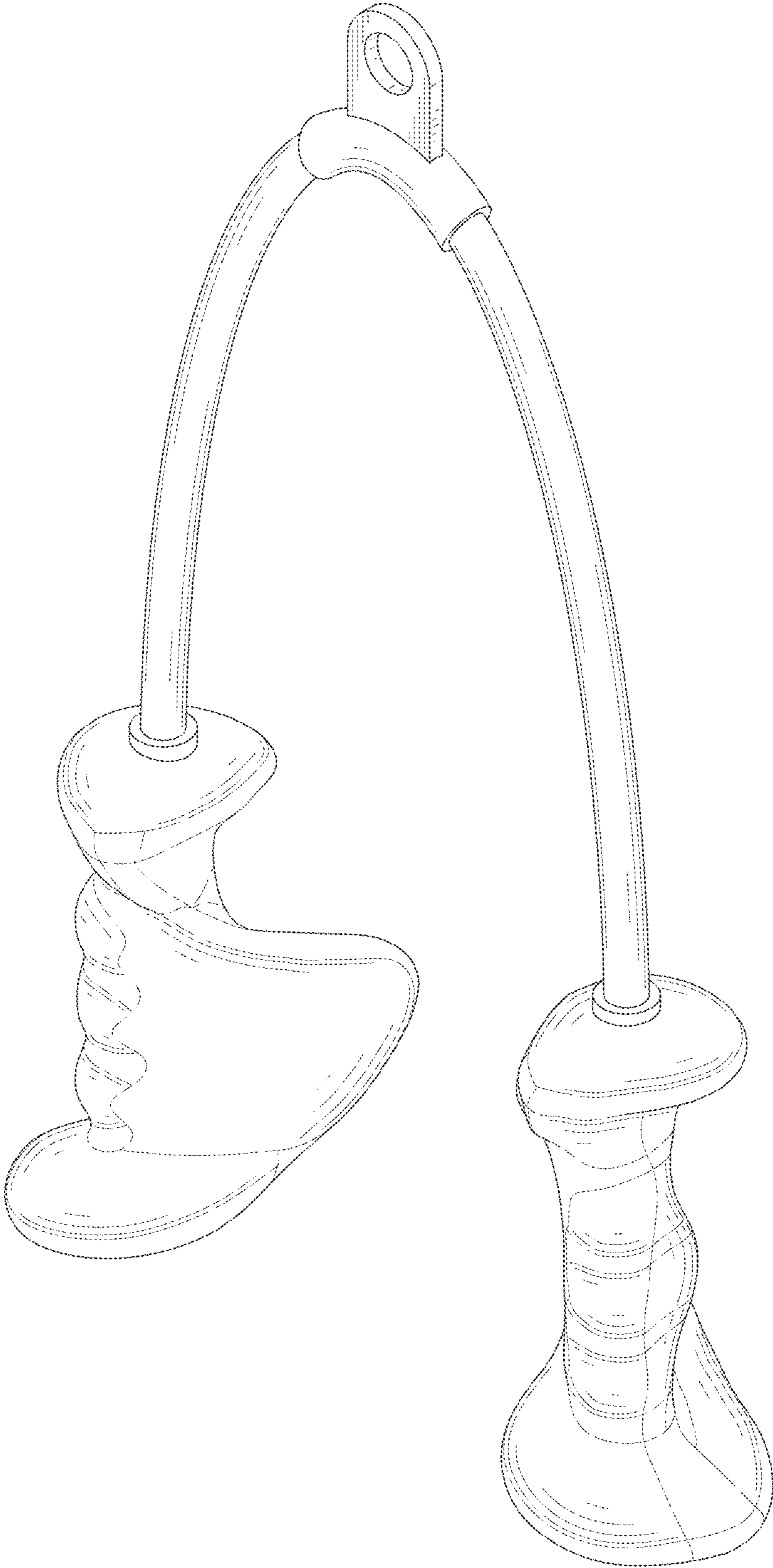


FIG. 1

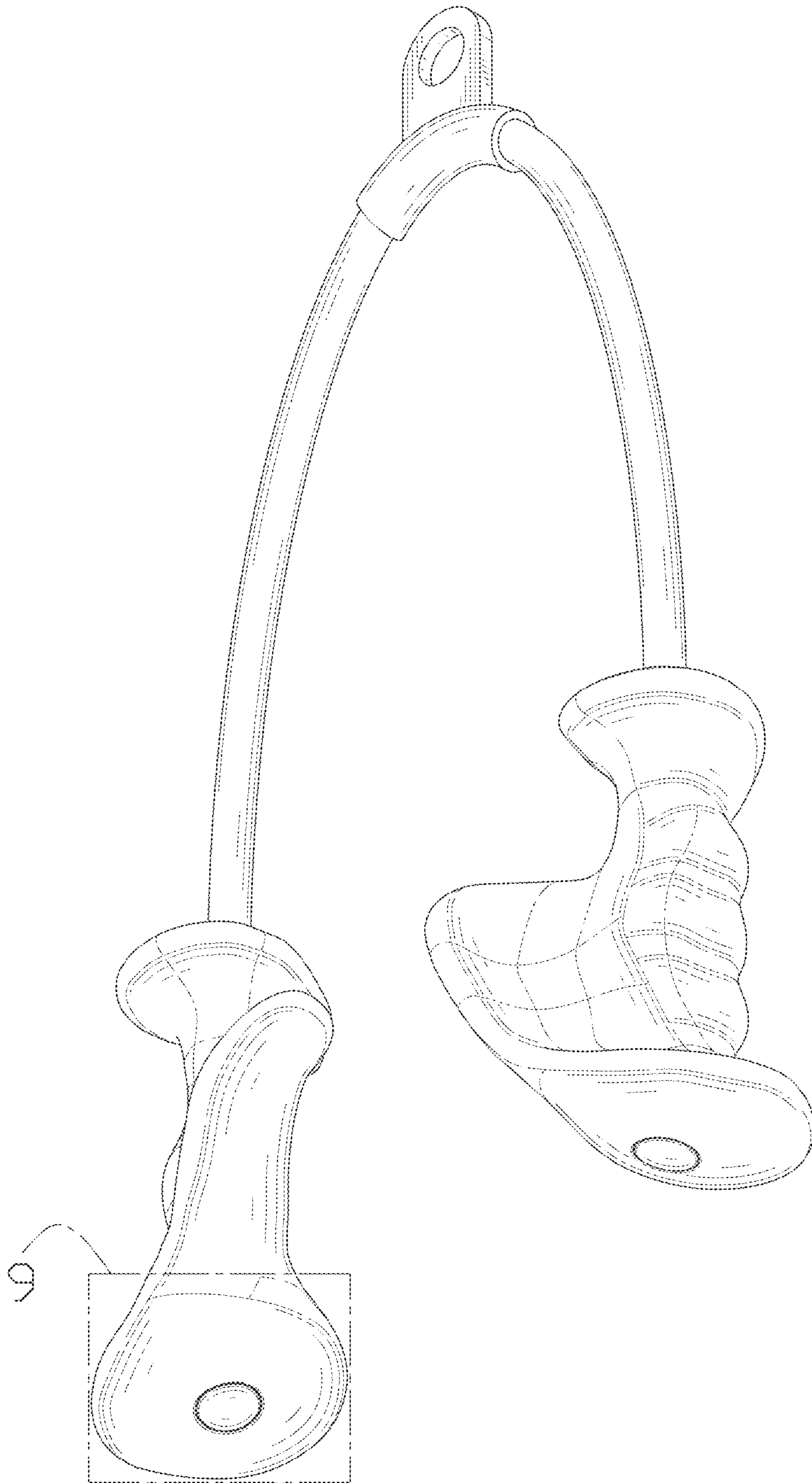


FIG. 2

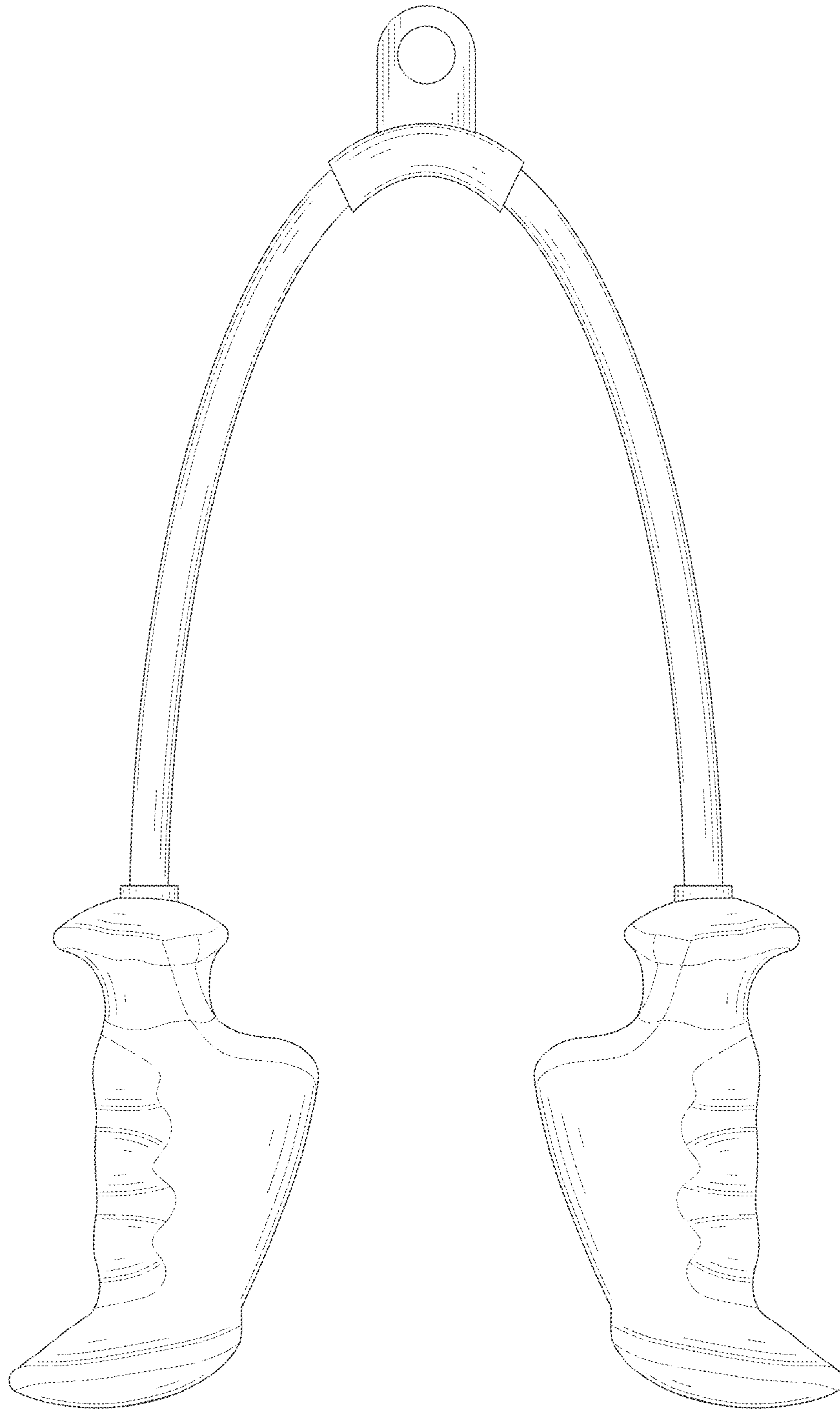


FIG. 3

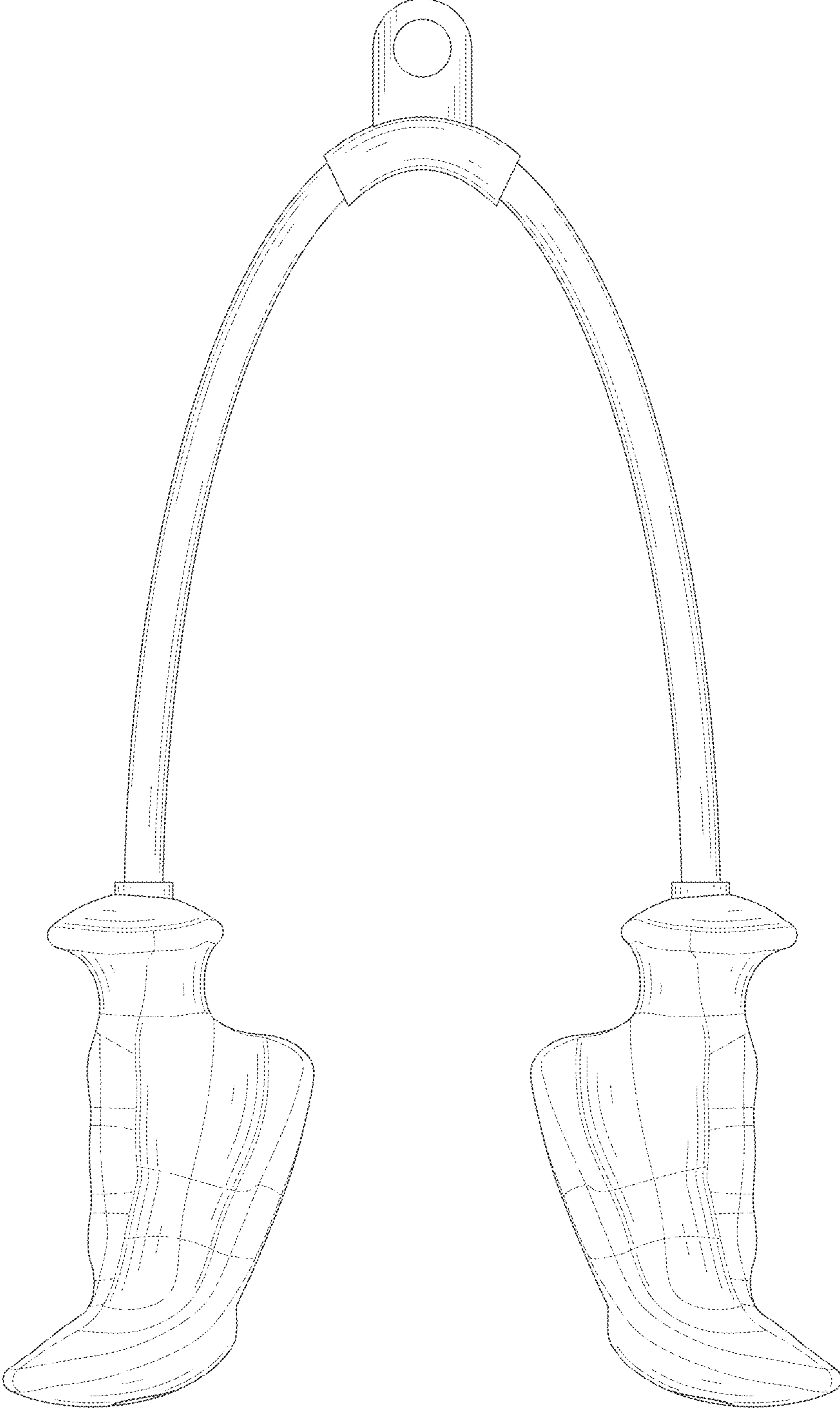


FIG. 4

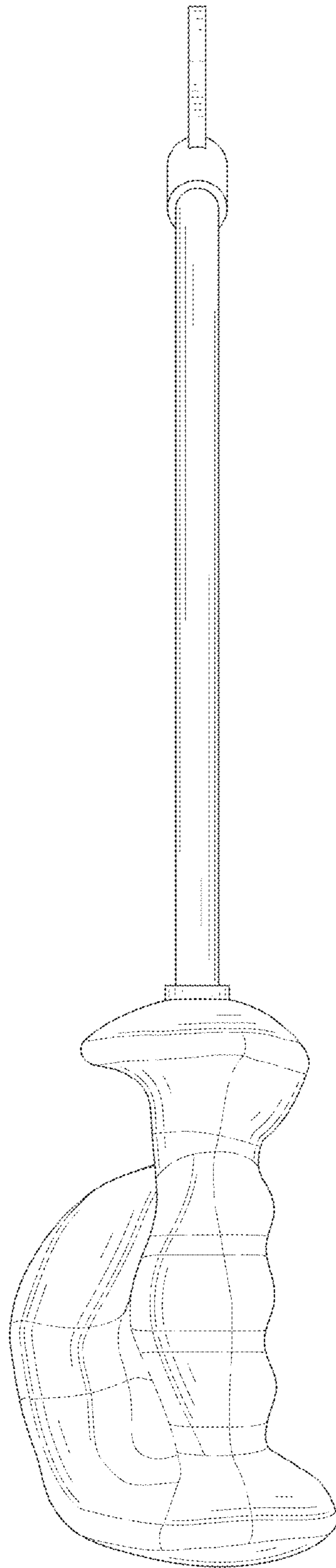


FIG. 5

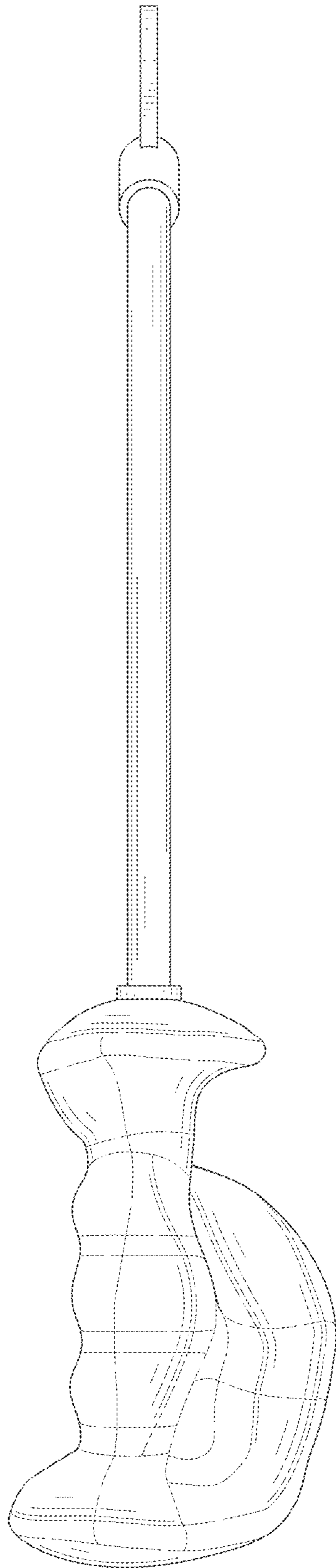


FIG. 6

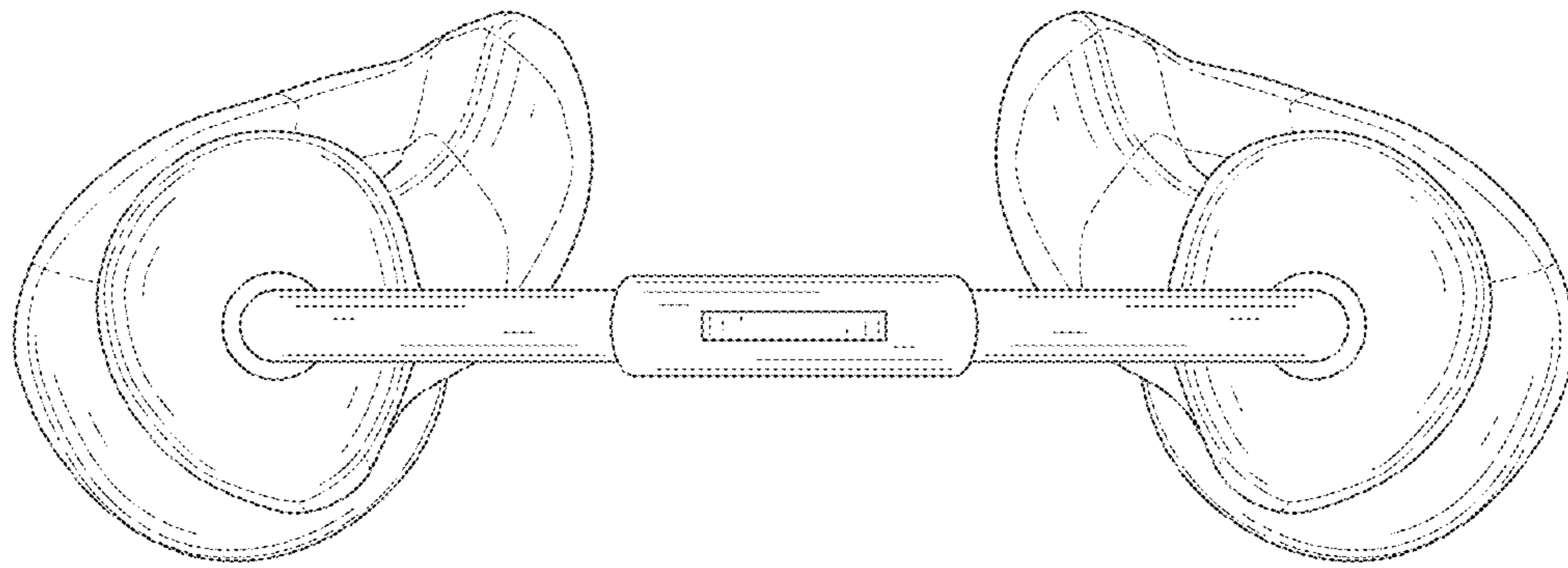


FIG. 7

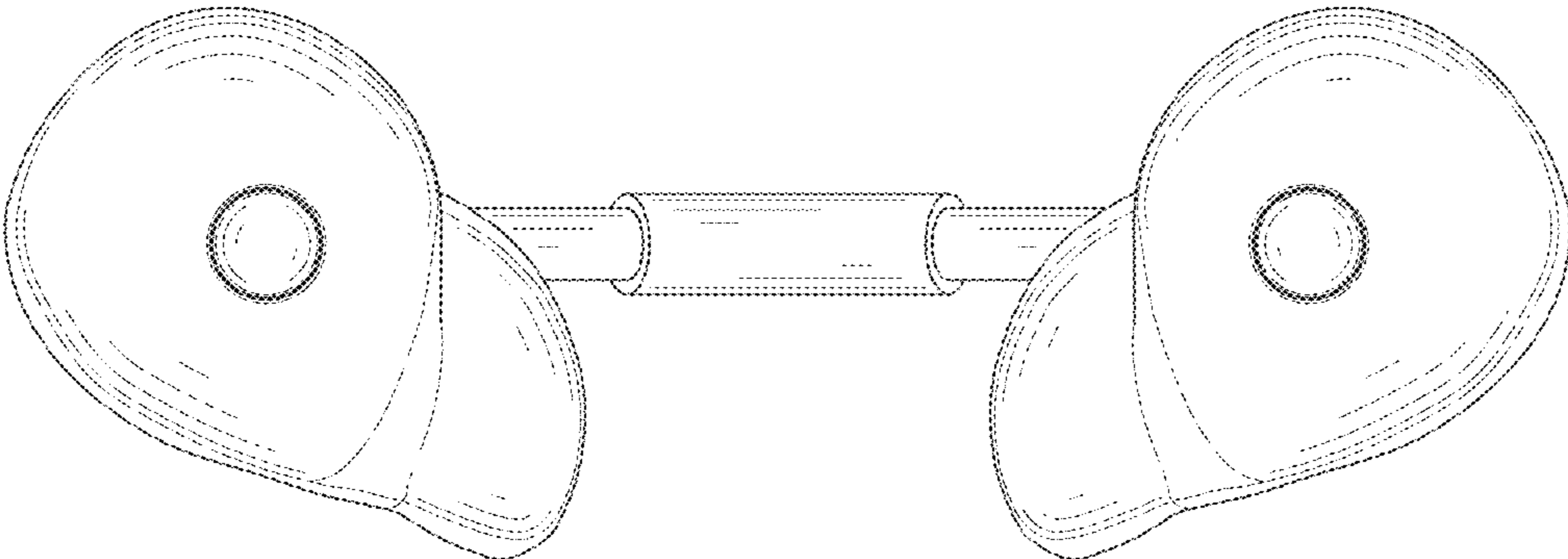


FIG. 8

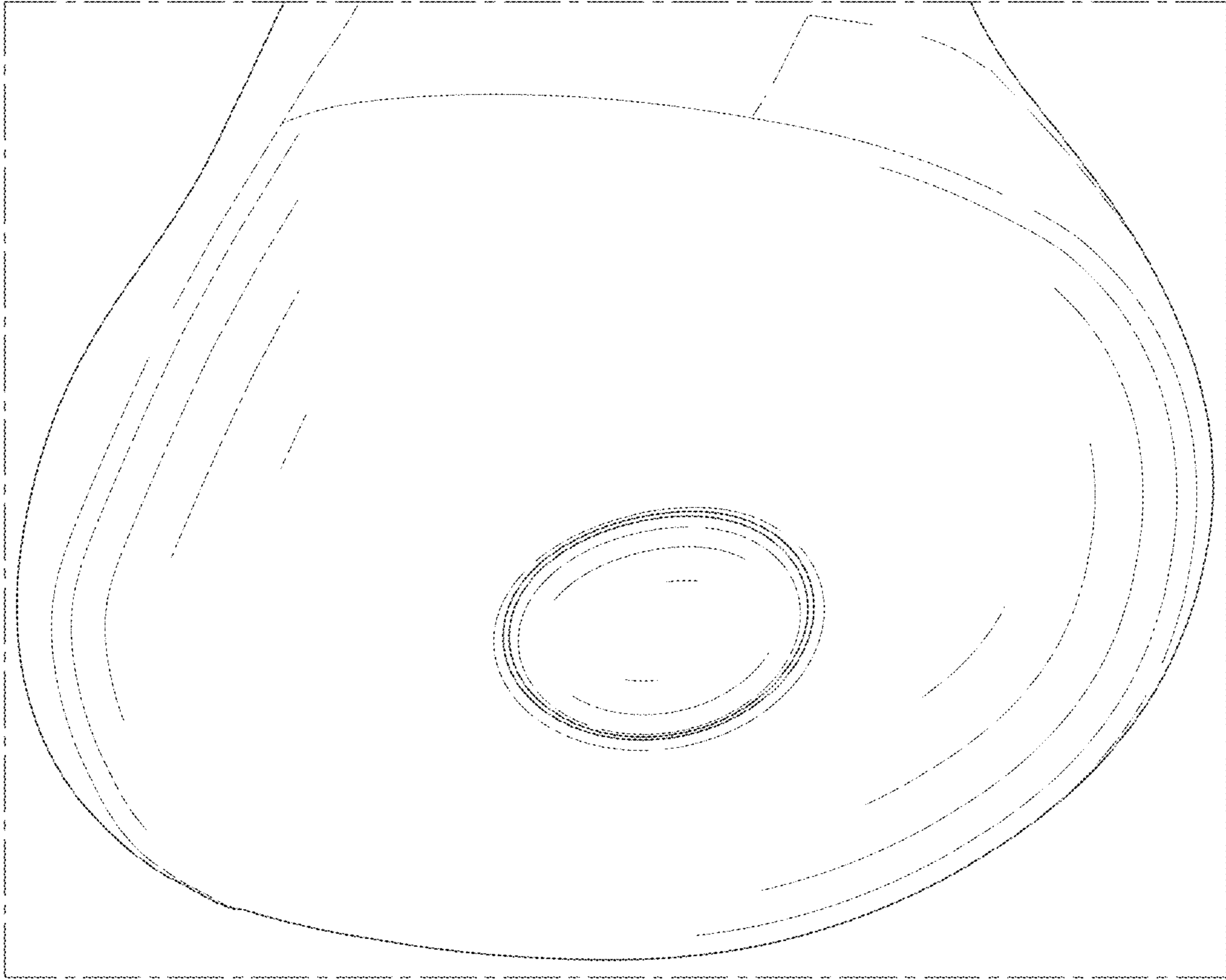


FIG. 9