



US00D975807S

(12) **United States Design Patent** (10) **Patent No.:** **US D975,807 S**
Ballina (45) **Date of Patent:** **** Jan. 17, 2023**

(54) **YOGA BACK ROLLER**
(71) Applicant: **Clare Joy Ballina**, Doncaster (AU)
(72) Inventor: **Clare Joy Ballina**, Doncaster (AU)
(**) Term: **15 Years**
(21) Appl. No.: **29/776,484**

D567,951 S * 4/2008 Fink A61H 15/00
D24/200
D567,953 S 4/2008 Fink
D608,900 S * 1/2010 Giraud A61H 1/0292
D24/231
D749,702 S * 2/2016 Rohn D23/259
D789,152 S * 6/2017 Wall D7/584
9,968,513 B1 * 5/2018 Marton A61H 23/0263
D848,555 S 5/2019 Chang
(Continued)

(22) Filed: **Mar. 30, 2021**
(51) **LOC (14) Cl.** **21-02**
(52) **U.S. Cl.**
USPC **D21/691**

FOREIGN PATENT DOCUMENTS

GB 6212802 * 6/2022

(58) **Field of Classification Search**
USPC D21/307, 338, 386, 390, 392, 393, 395,
D21/478, 479, 308, 362, 487, 488, 525,
D21/688, 691, 686, 687, 689, 694;
D7/554.1, 554.2, 554.3, 554, 584-588;
D24/106, 171, 200, 211, 212, 213, 214,
D24/215, 231; D30/160, 119; D6/596,
D6/601, 606; D8/397, 399
CPC . A63B 21/0552; A63B 23/0211; A63B 23/12;
A63B 21/0557; A63B 21/0004; A63B
22/20; A61H 15/00; A61H 15/02; A61H
15/0092; A61H 15/0014; A61H 15/0007;
A61H 15/0042; A61H 15/0064; A61H
1/00; A61H 1/001; A61H 1/0237; A61H
1/0244; A61H 1/0292; A61H 2201/1253;
A61H 2201/1284; A61H 2201/169; A61H
2201/0107; A61H 2201/0103; A61N 5/06
See application file for complete search history.

OTHER PUBLICATIONS

Chirp Wheel 6" Deep Tissue, available on gochirp.com, oldest customer review May 28, 2019, [site visited Oct. 12, 2022], URL: <https://gochirp.com/products/chirp-wheel-6-deep-tissue?variant=39383723835415> (Year: 2019).*
(Continued)

Primary Examiner — Dana K Weiland
Assistant Examiner — Emily Anna Saunders
(74) *Attorney, Agent, or Firm* — Eric Karich; Karich & Associates

(57) **CLAIM**

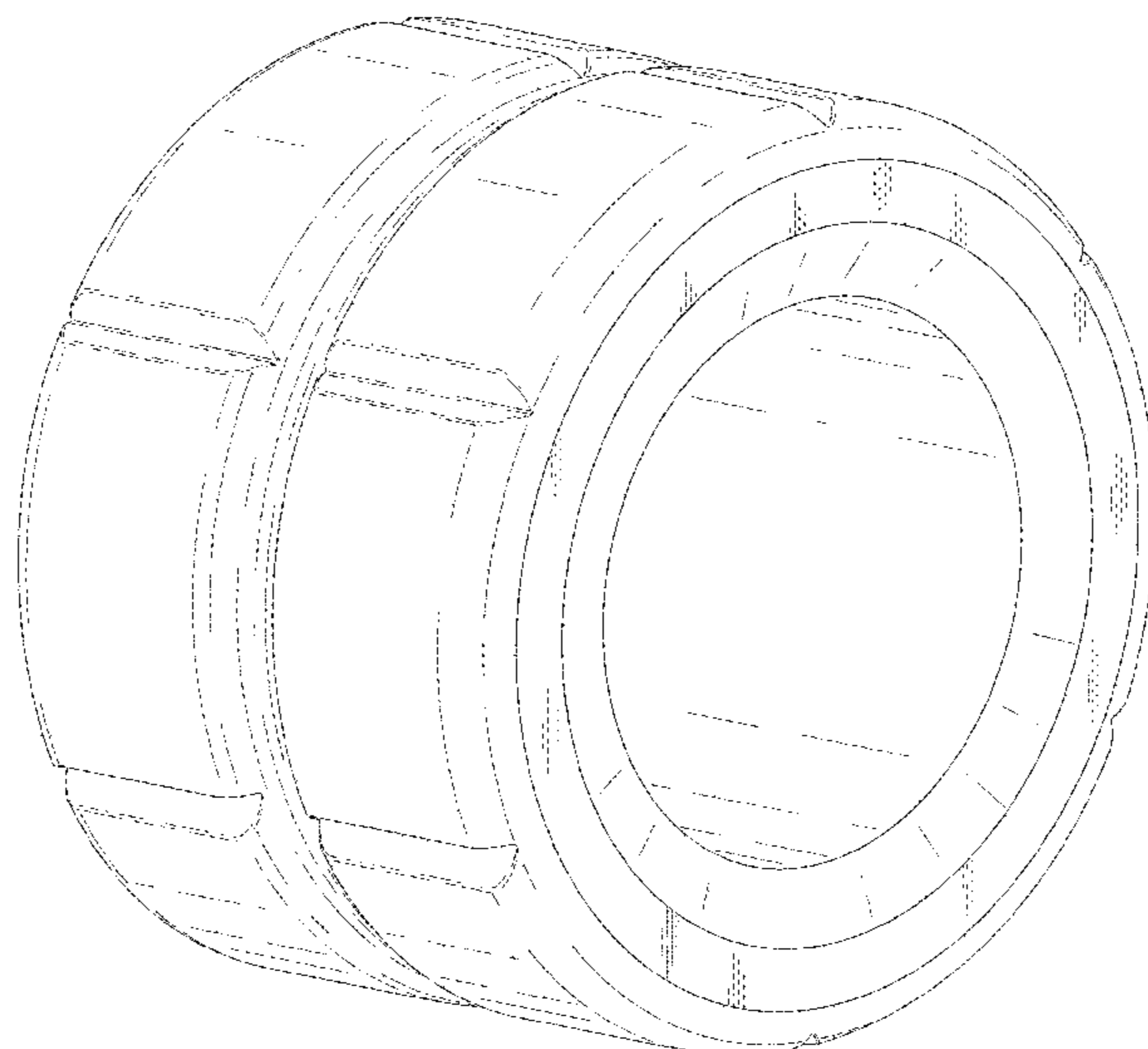
The ornamental design for a yoga back roller, as shown and described.

DESCRIPTION

FIG. 1 is a perspective view of a yoga back roller, showing the new design;
FIG. 2 is a front elevation view thereof;
FIG. 3 is a rear elevation view thereof;
FIG. 4 is a left side elevation view thereof;
FIG. 5 is a right side elevation view thereof;
FIG. 6 is a top plan view thereof; and,
FIG. 7 is a bottom plan view thereof.

(56) **References Cited**
U.S. PATENT DOCUMENTS
D121,371 S * 7/1940 Hammond D9/756
6,037,544 A * 3/2000 Lee H02G 15/117
174/92
7,250,032 B2 7/2007 Fink
D563,557 S * 3/2008 Fink A61H 1/00
D24/211

1 Claim, 7 Drawing Sheets



(56)

References Cited

U.S. PATENT DOCUMENTS

D883,503 S * 5/2020 Pasquale D24/211
2006/0149174 A1 * 7/2006 Fink A61H 1/0292
601/134
2015/0080774 A1 * 3/2015 Olaya A61H 15/00
601/121
2015/0190304 A1 * 7/2015 Lawrie A61H 15/0092
601/118
2020/0276078 A1 * 9/2020 Ploss A61H 1/00

OTHER PUBLICATIONS

Inviguri Roller Yoga Wheel, available on Amazon.com, date first available Sep. 1, 2021, oldest customer review Oct. 5, 2020, [site visited Oct. 12, 2022], URL: <https://www.amazon.com/dp/B096ZXMKMR> (Year: 2020).*

Chirp Wheel 10" Firm, available on gochirp.com, oldest customer review May 29, 2019, [site visited Oct. 12, 2022], URL: <https://gochirp.com/products/chirp-wheel-10-firm?variant=39383716659223> (Year: 2022).*

* cited by examiner

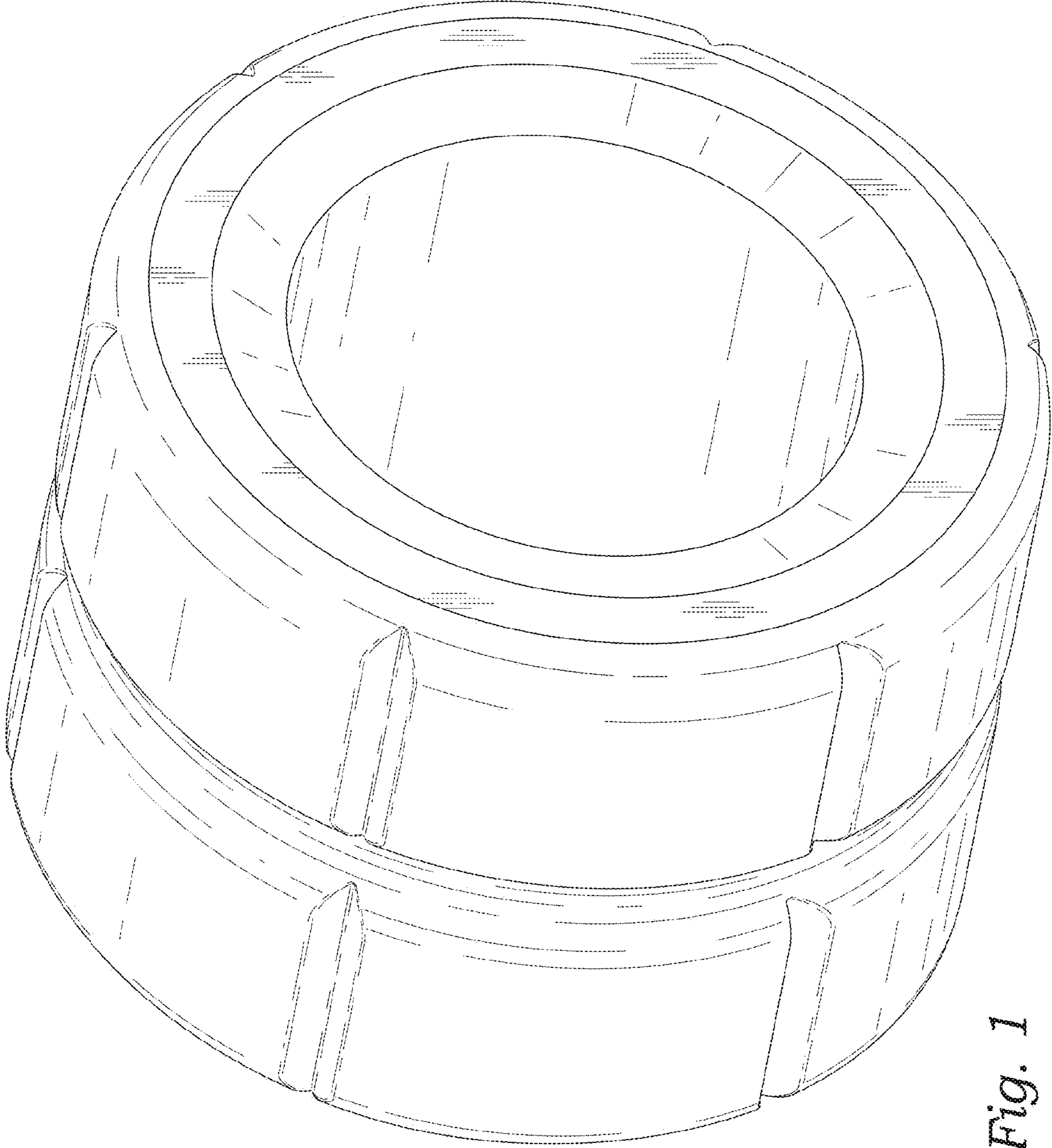


Fig. 1

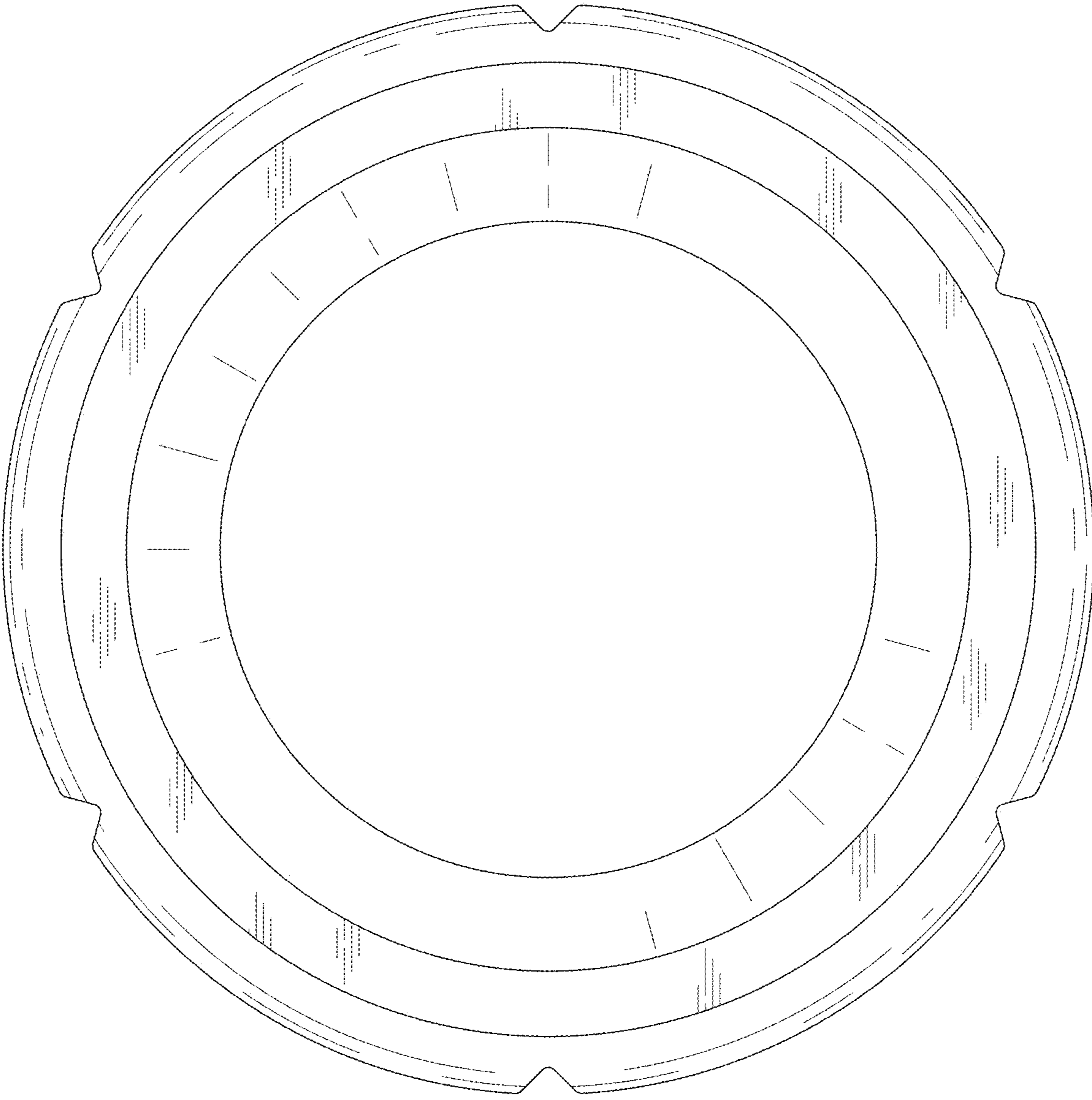


Fig. 2

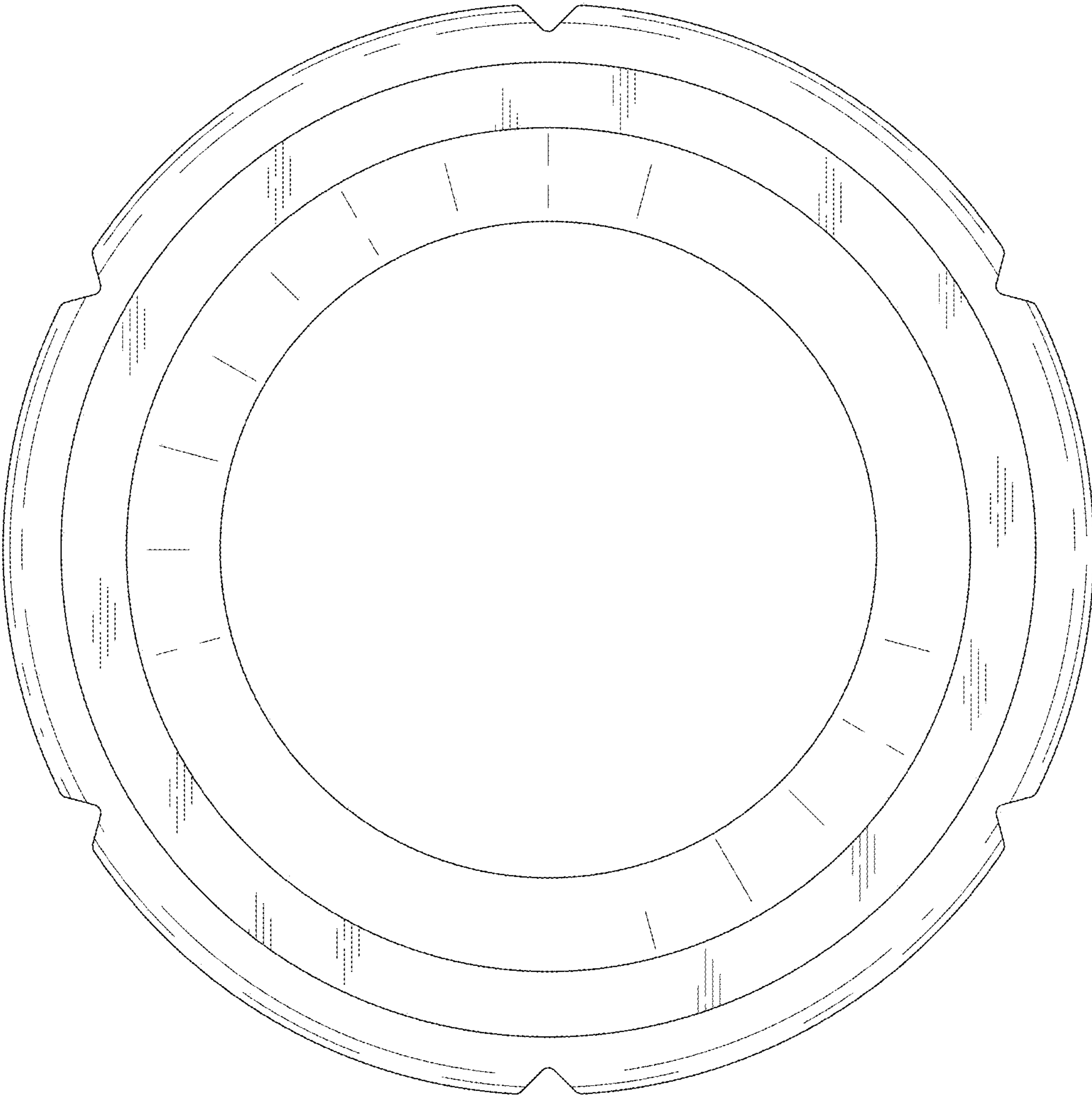


Fig. 3

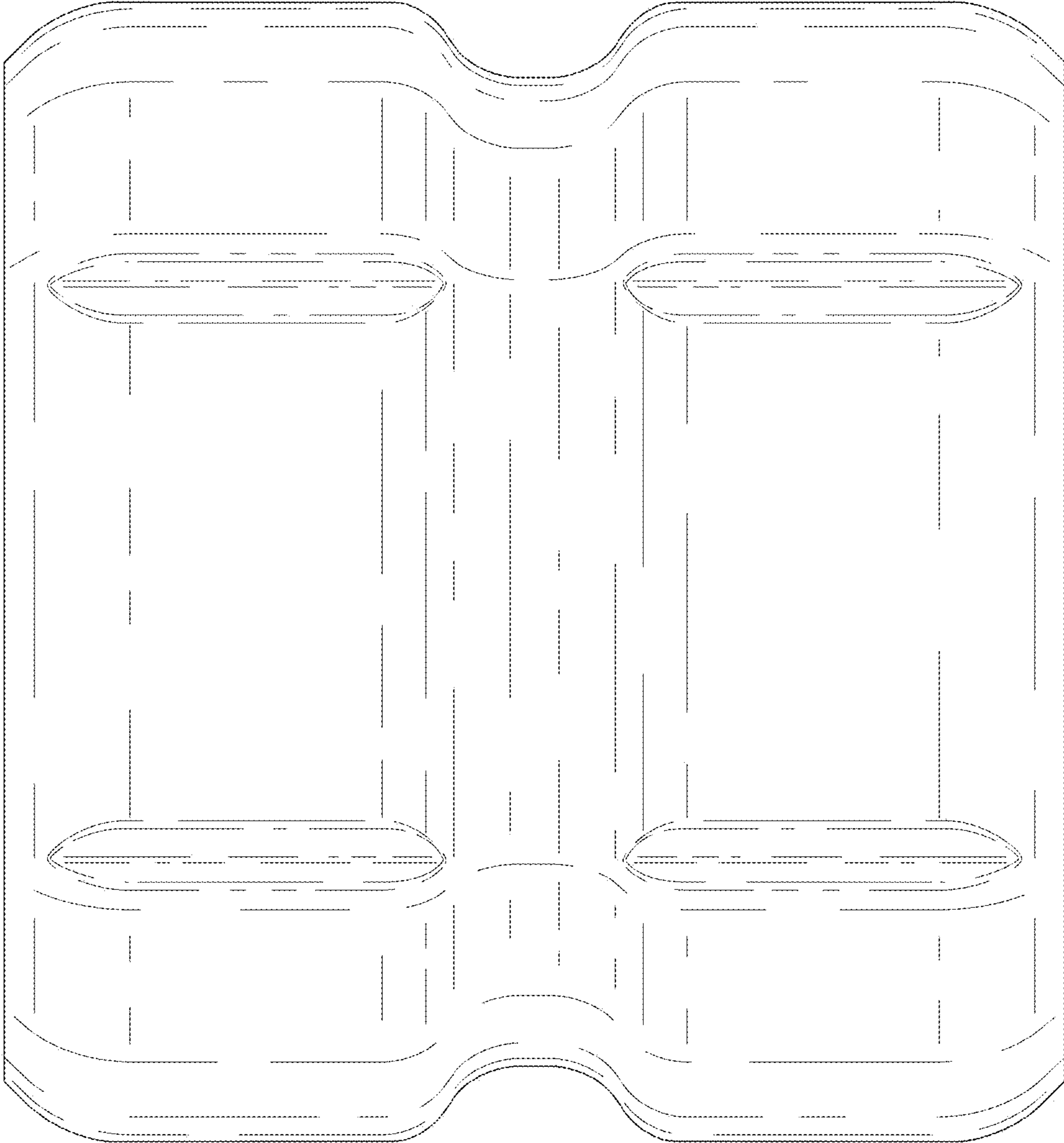


Fig. 4

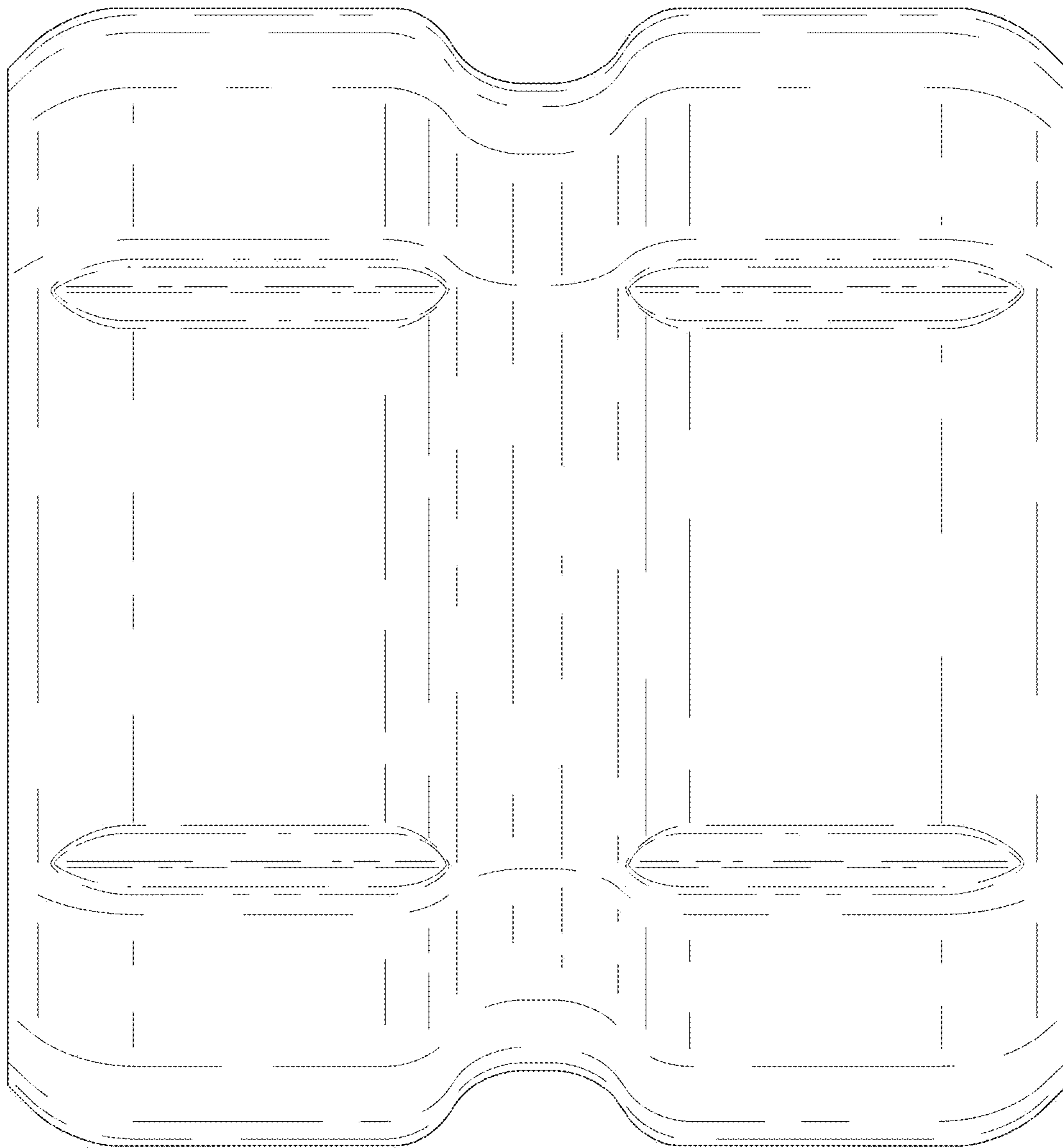


Fig. 5

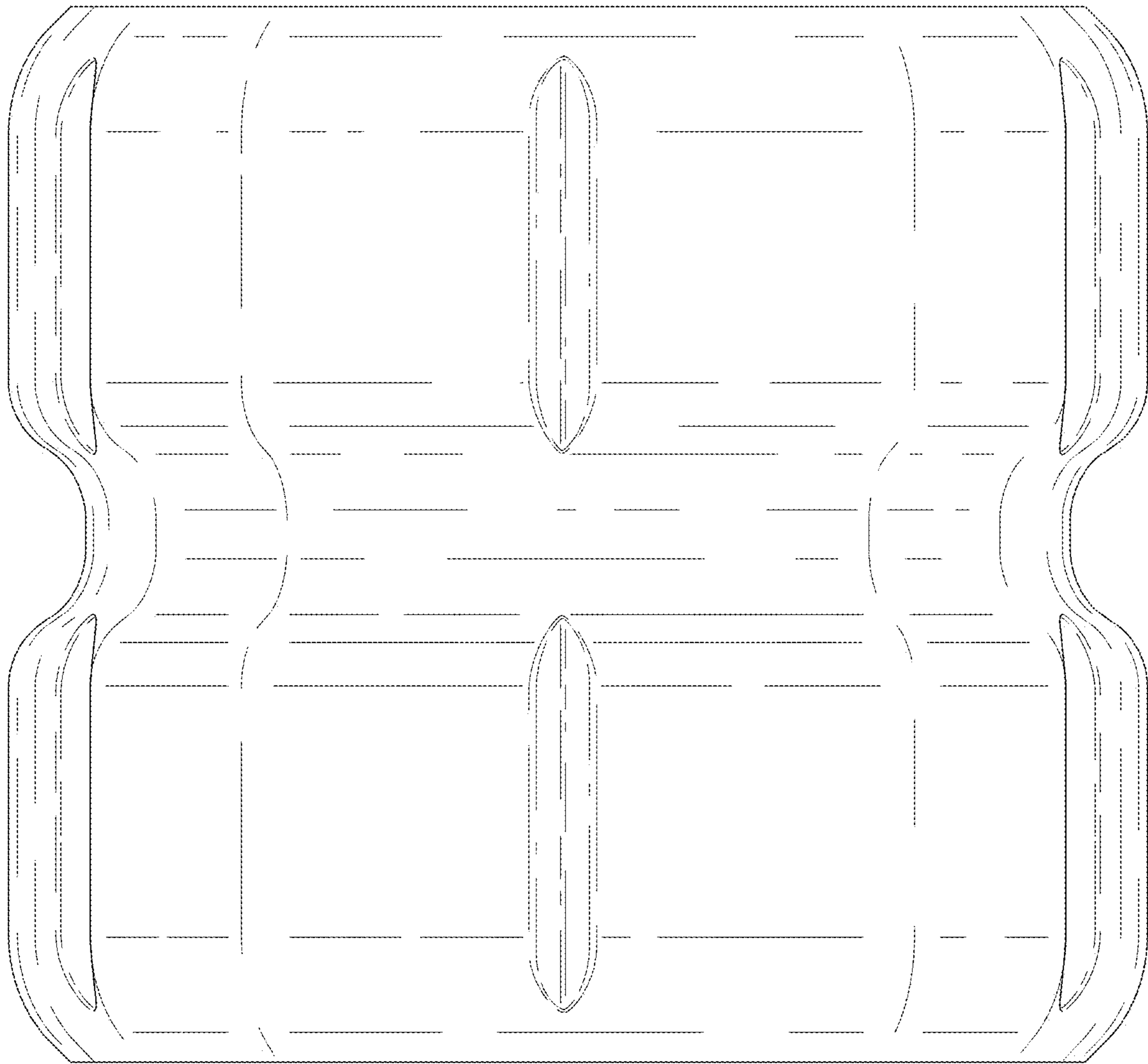


Fig. 6

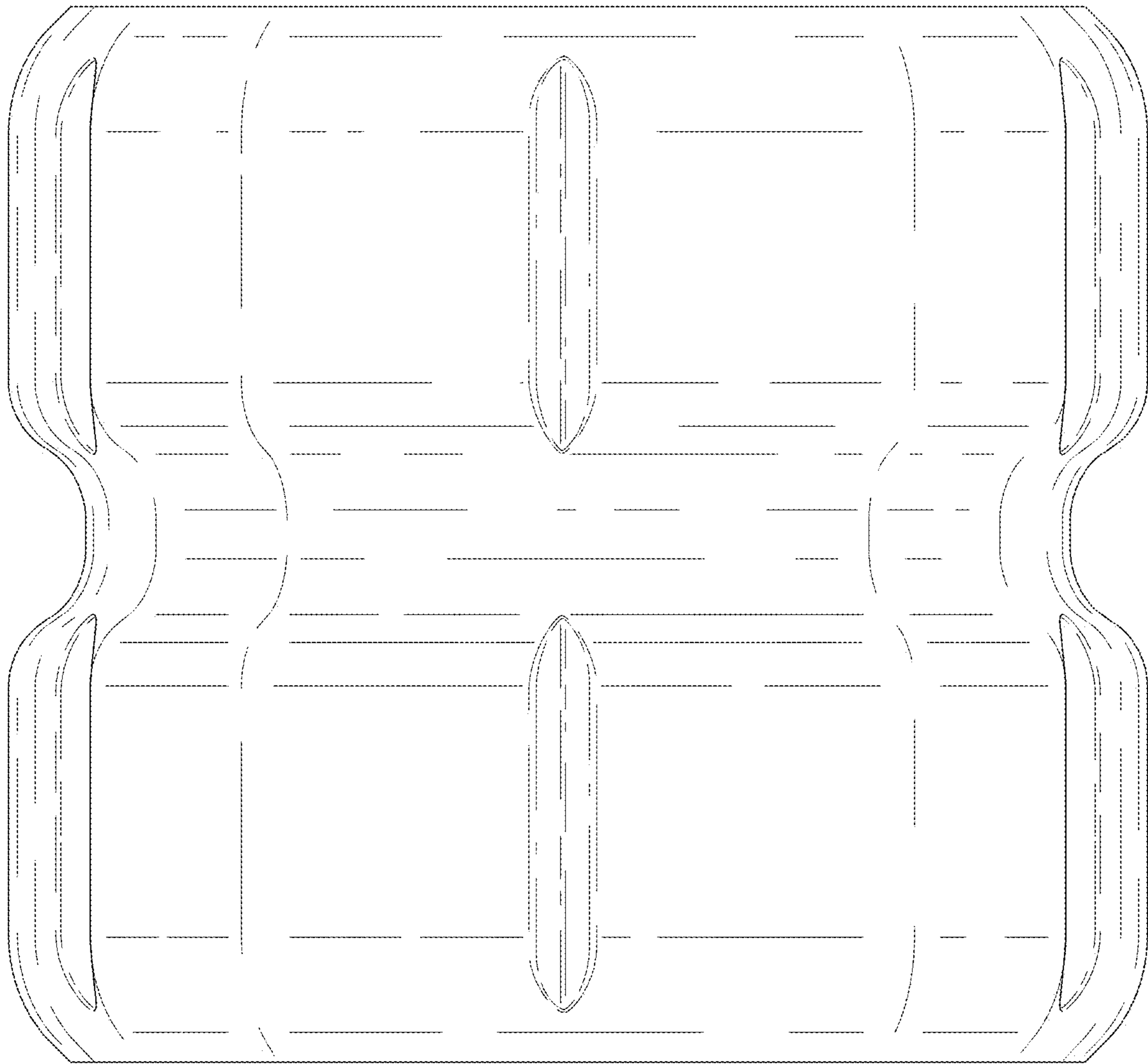


Fig. 7