



US00D975806S

(12) **United States Design Patent**
Zhang

(10) **Patent No.:** **US D975,806 S**

(45) **Date of Patent:** **** Jan. 17, 2023**

(54) **BALANCE BOARD**

(71) Applicant: **Xianhu Zhang**, Hefei (CN)

(72) Inventor: **Xianhu Zhang**, Hefei (CN)

(**) Term: **15 Years**

(21) Appl. No.: **29/828,048**

(22) Filed: **Feb. 24, 2022**

(51) **LOC (14) Cl.** **21-02**

(52) **U.S. Cl.**
USPC **D21/688**

(58) **Field of Classification Search**

USPC D21/662, 694, 692, 679, 680, 684, 686,
D21/688

See application file for complete search history.

(56) **References Cited**

U.S. PATENT DOCUMENTS

D779,000 S	2/2017	Oison	
D786,369 S	5/2017	Choi	
D798,397 S *	9/2017	Bellevue	D21/686
D827,061 S *	8/2018	Trenkle	D21/688
D878,499 S *	3/2020	Melgoza	D21/688
D910,125 S *	2/2021	Liu	D21/688
D916,218 S *	4/2021	Lu	D21/688
D942,565 S *	2/2022	Hu	D21/688
D946,095 S *	3/2022	Hunt	D21/686
D955,513 S *	6/2022	Zhou	D21/688

OTHER PUBLICATIONS

Yes4All, announced 2014 [online], [site visited Sep. 22, 2022]. Available on internet, url:https://www.amazon.com/Yes4All-Wobble-Balance-Standing-Anti-Fatigue/dp/B085XSB71V/ref (Year: 2014).*

Strong Tek, announced 2018 [online], [site visited Sep. 22, 2022]. Available on internet, url:https://www.amazon.com/StrongTek-Anti-Fatigue-Accessory-Exerciser-Balancing/dp/B07FNBFK9V/ref (Year: 2018).*

Serene Life Store, announced 2018 [online], [site visited Sep. 22, 2022]. Available on internet, url:https://www.amazon.com/Wobbly-Wooden-Anti-Fatigue-Mat/dp/B09M8RC4JL/ref (Year: 2018).*

* cited by examiner

Primary Examiner — Khawaja Anwar

Assistant Examiner — Julice Seung Eun Oum

(57) **CLAIM**

The ornamental design for a balance board, as shown and described.

DESCRIPTION

FIG. 1 is a perspective view of a balance board showing my new design;

FIG. 2 is another perspective view thereof;

FIG. 3 is a front elevational view thereof;

FIG. 4 is a rear elevational view thereof;

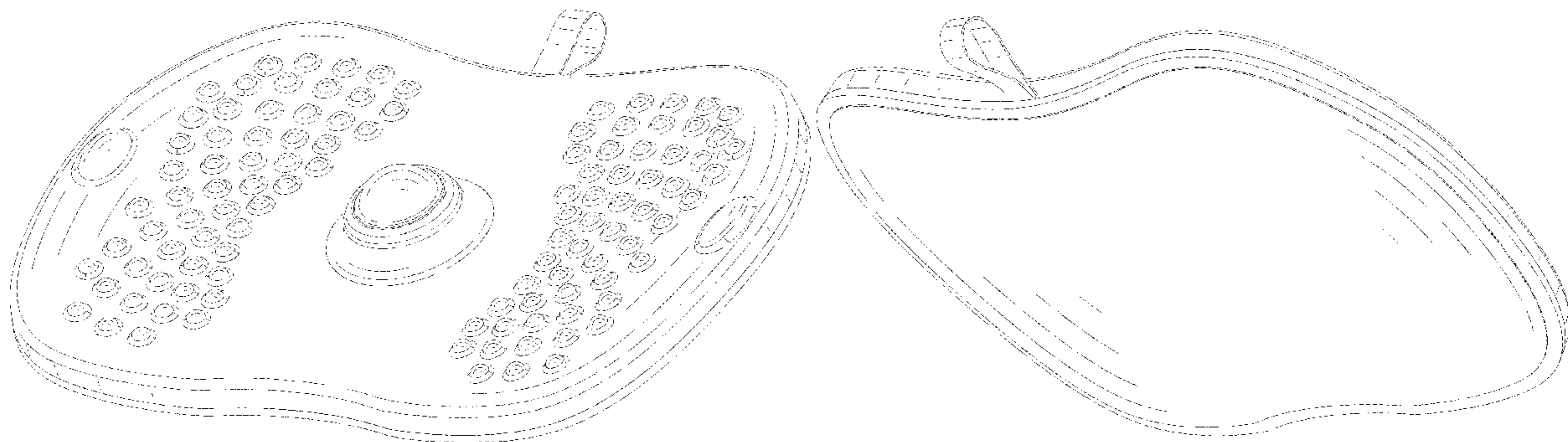
FIG. 5 is a left side elevational view thereof;

FIG. 6 is a right side elevational view thereof;

FIG. 7 is a top plan view thereof; and,

FIG. 8 is a bottom plan view thereof.

1 Claim, 8 Drawing Sheets



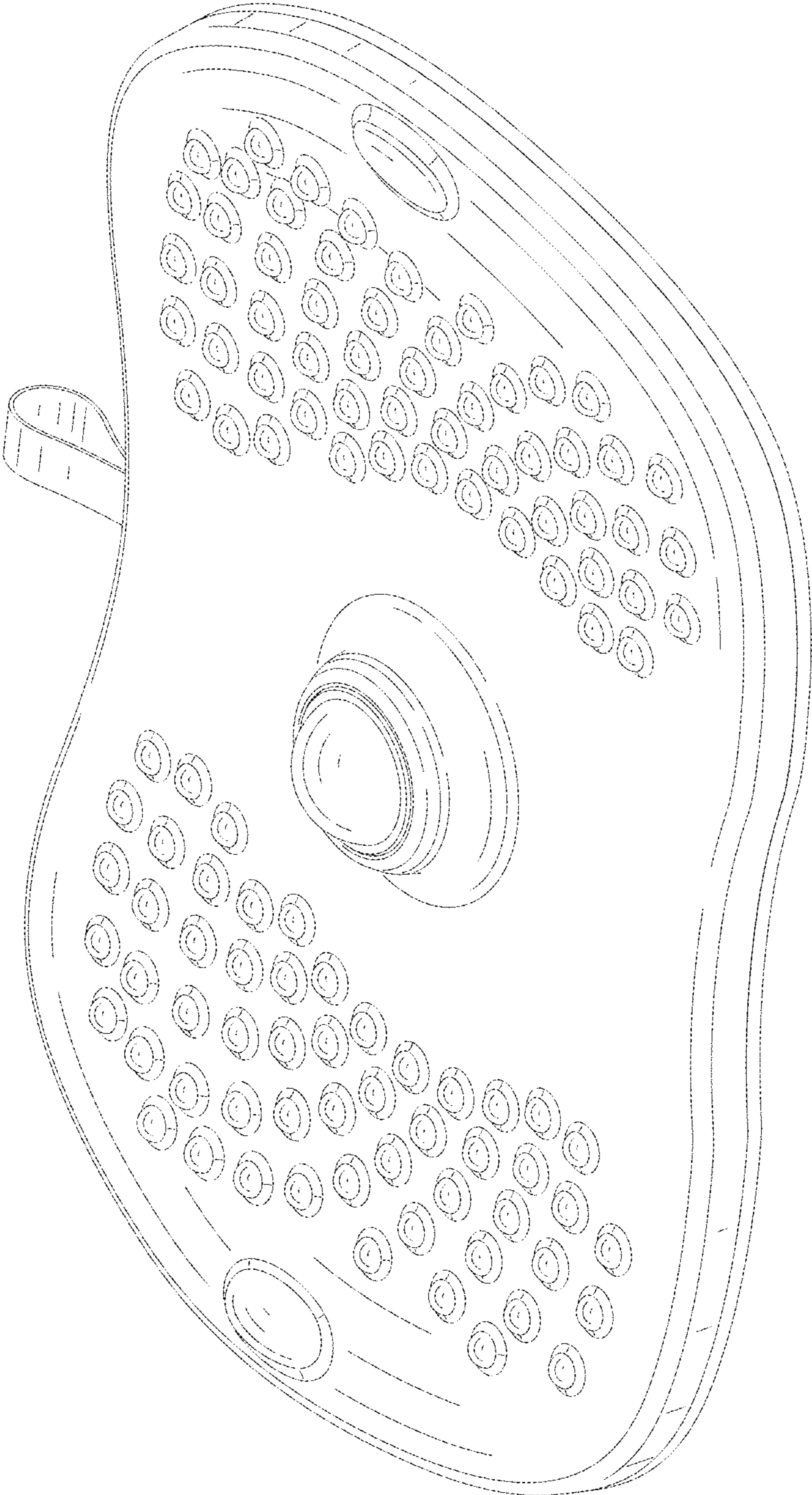


FIG. 1

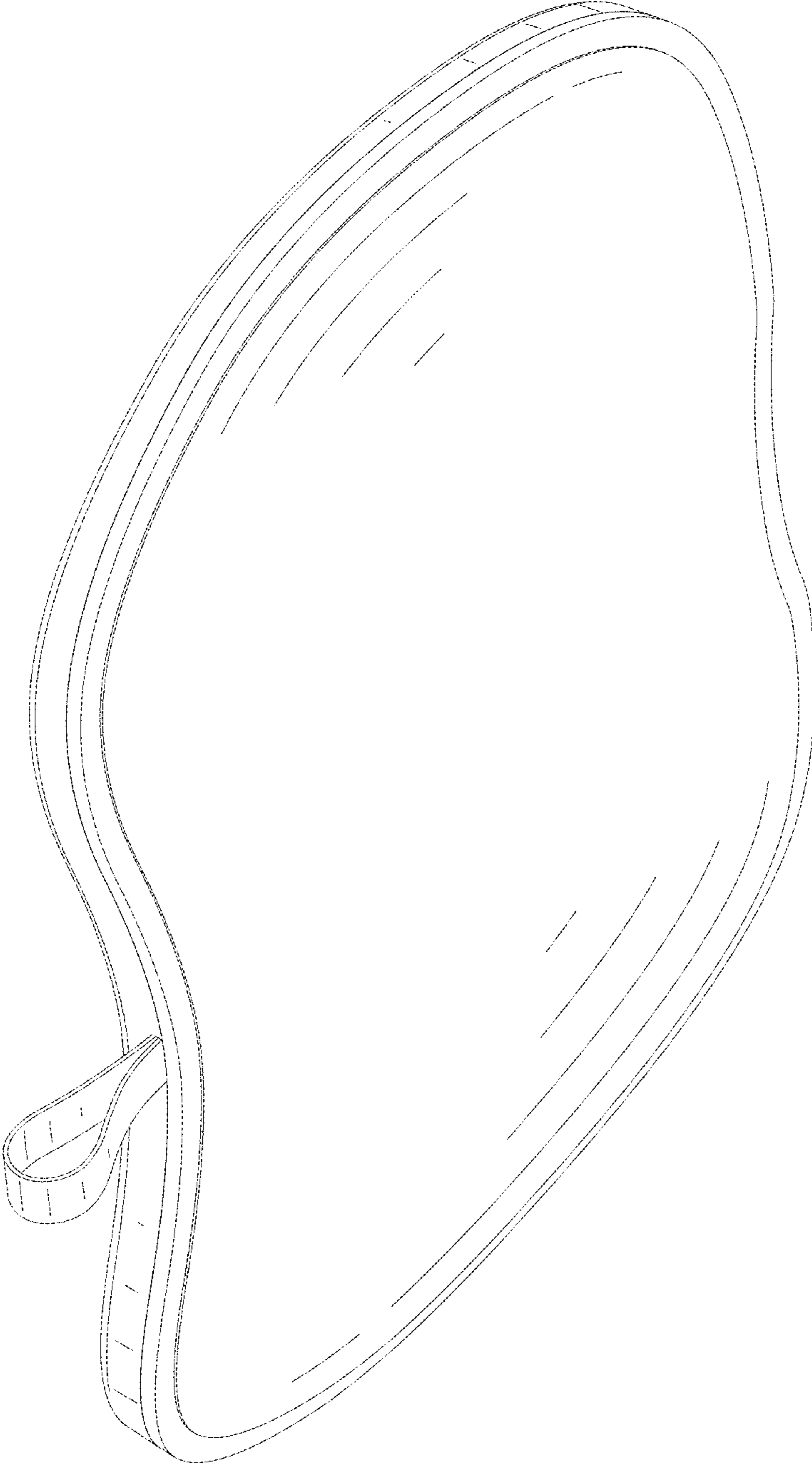


FIG. 2

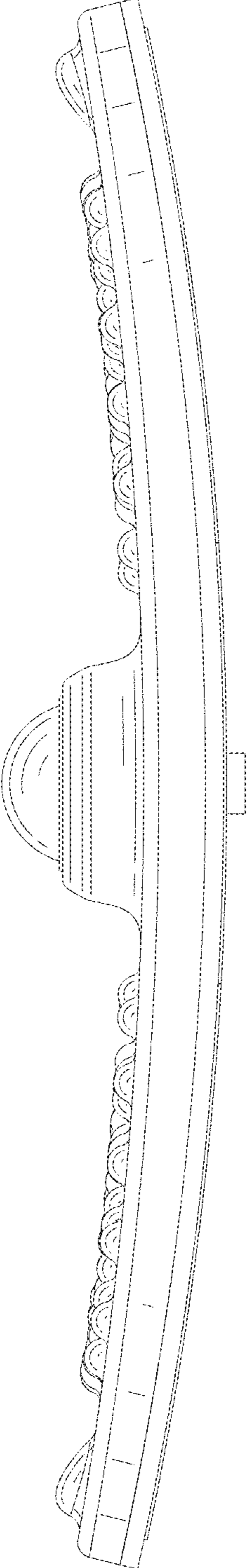


FIG. 3

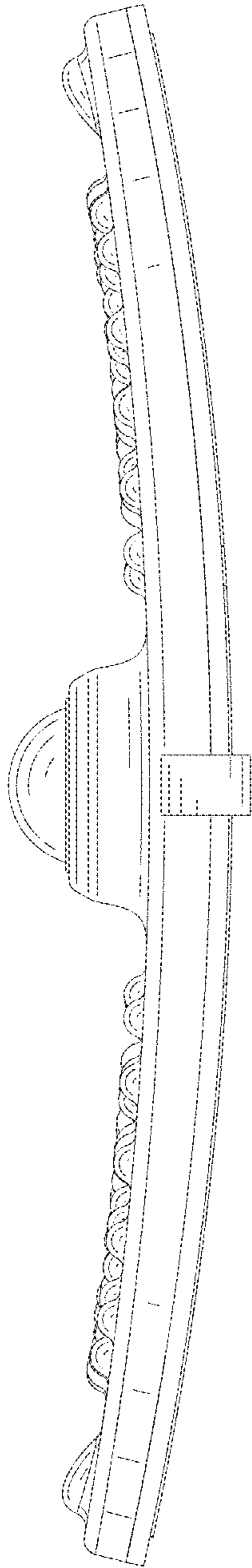


FIG. 4

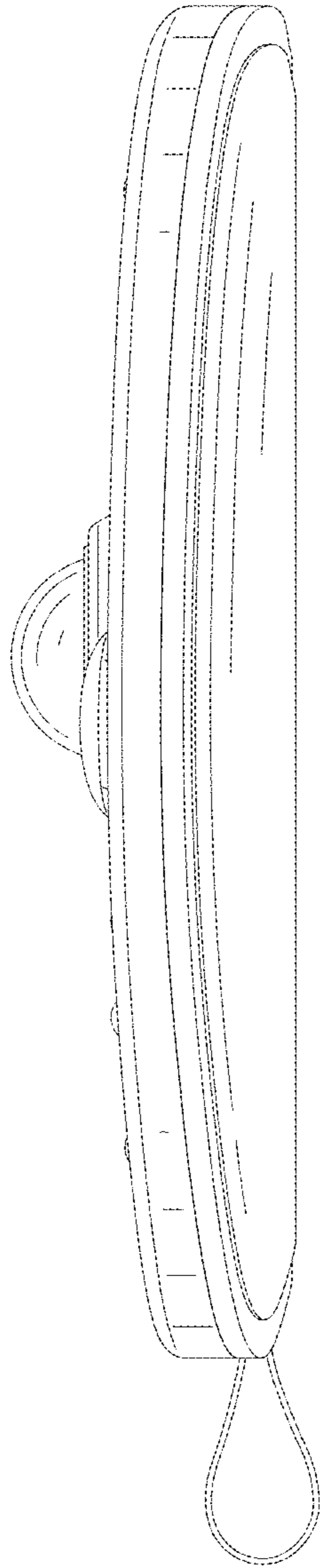


FIG. 5

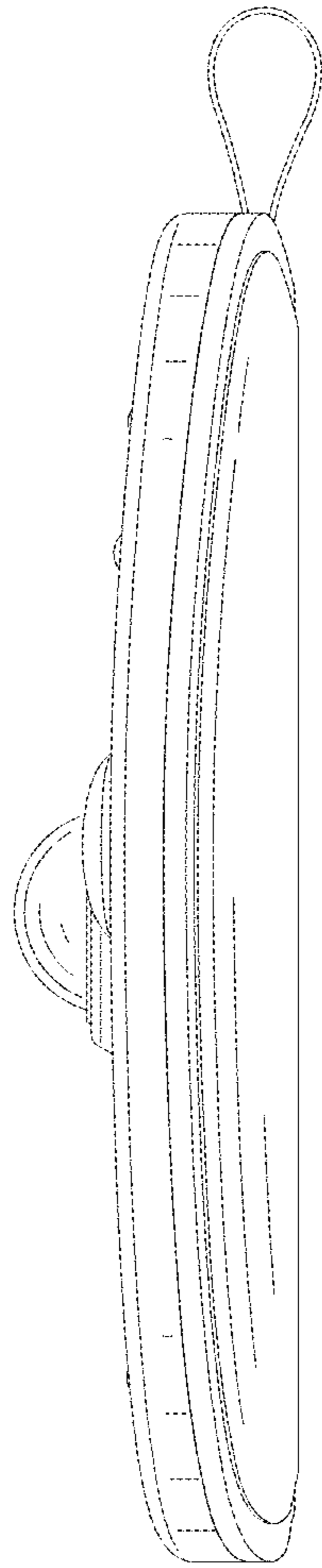


FIG. 6

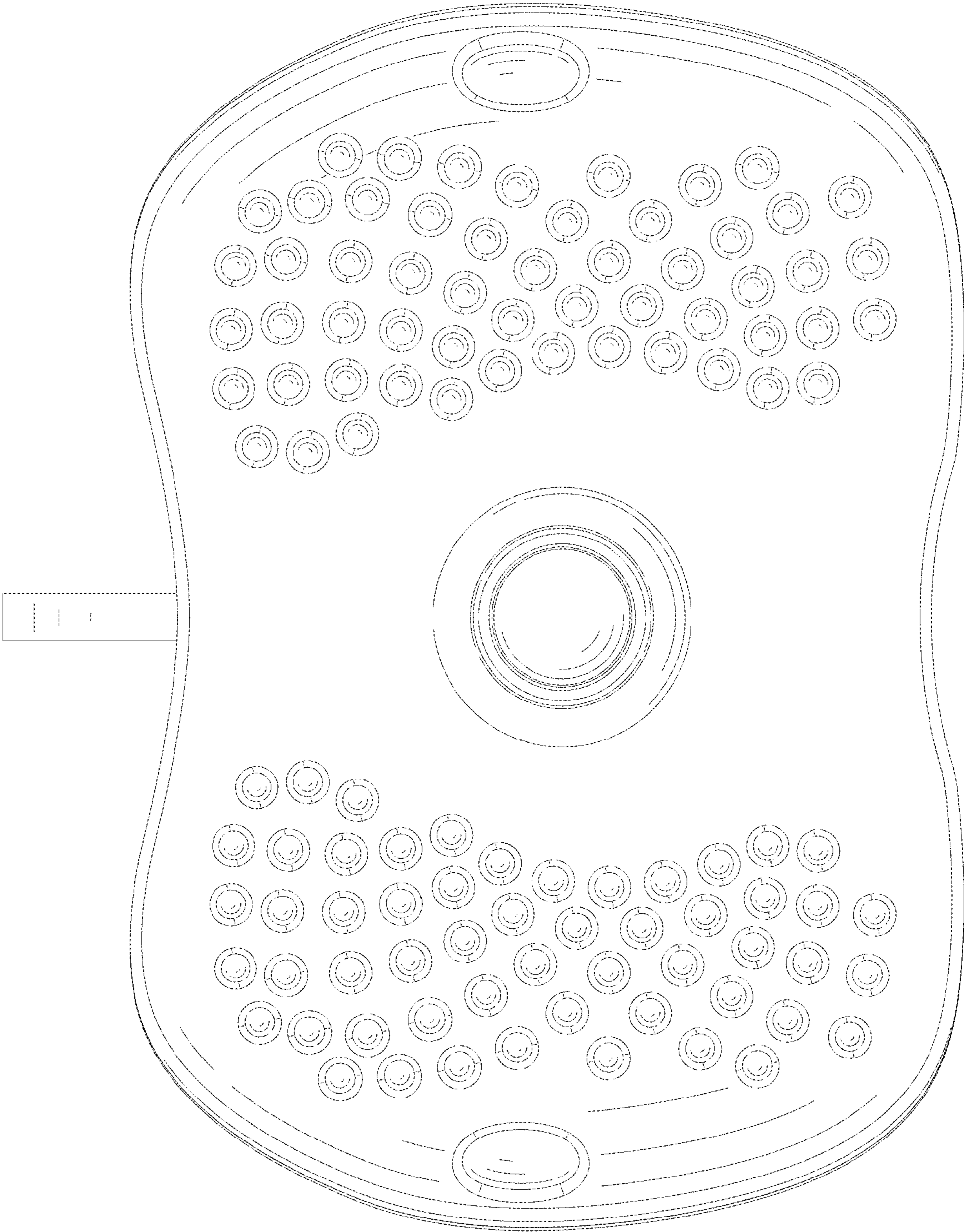


FIG. 7

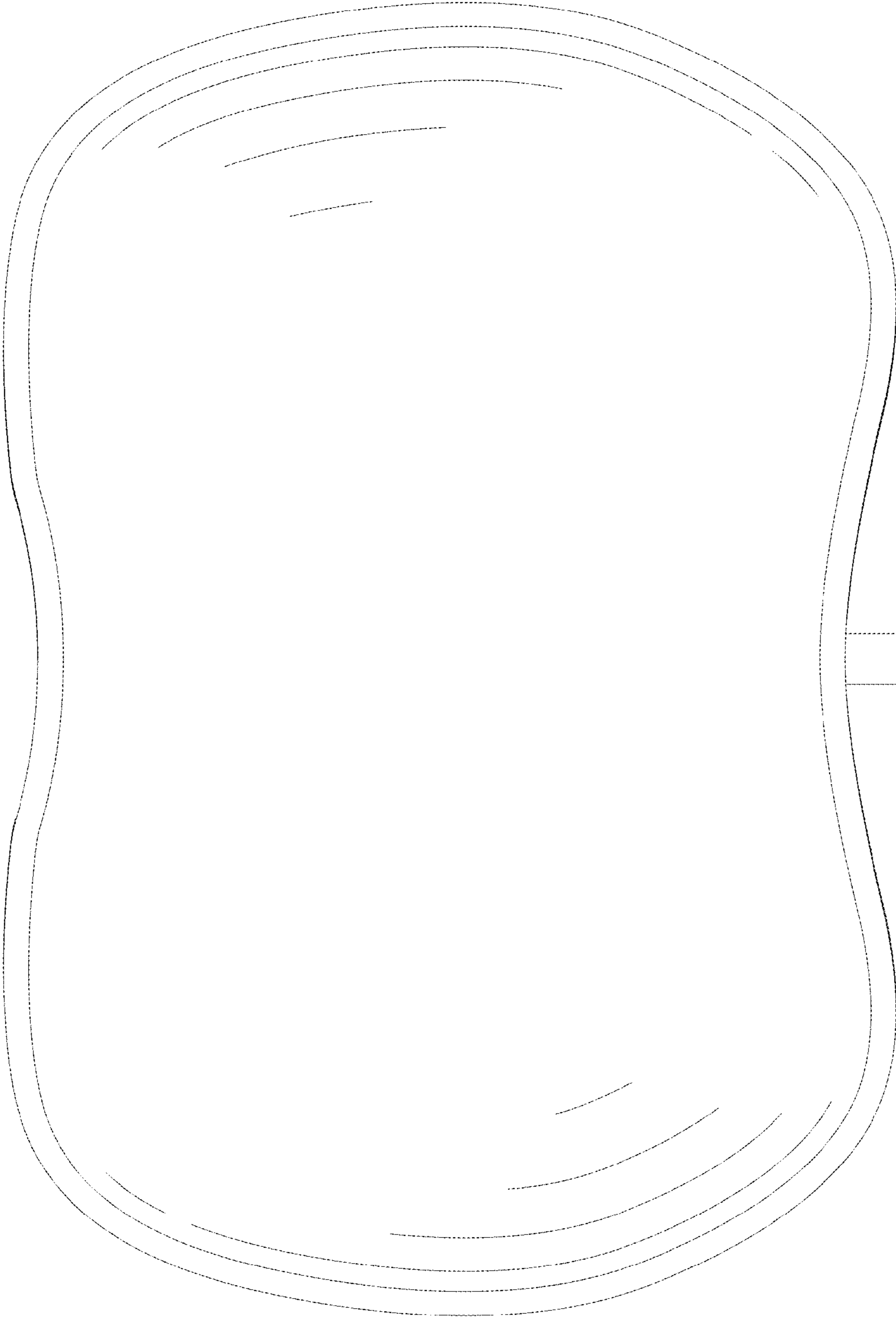


FIG. 8