



US00D975805S

(12) **United States Design Patent** (10) **Patent No.:** **US D975,805 S**
Jaquish et al. (45) **Date of Patent:** **** Jan. 17, 2023**

(54) **EXERCISE APPARATUS**
(71) Applicant: **Jaquish Biomedical Corporation**,
Nevada City, CA (US)

3,193,288 A 7/1965 Vell
3,785,644 A 1/1974 Bradley
3,910,573 A 10/1975 Jamba
(Continued)

(72) Inventors: **John Paul Jaquish**, Nevada City, CA
(US); **Paul Edward Jaquish**, Nevada
City, CA (US); **Henry David Alkire**,
Nevada City, CA (US)

FOREIGN PATENT DOCUMENTS

EP 2764896 A1 8/2014
KR 10200000 5/2000

(73) Assignee: **Jaquish Biomedical Corporation**,
Nevada City, CA (US)

OTHER PUBLICATIONS

Dasking, announced 2021 [online], [site visited Jul. 22, 2022].
Available on internet. URL: <https://www.amazon.com/DASKING-Detachable-Resistance-Workout-Exercise/dp/B09GVBG878/ref=Year:2021>.*

(**) Term: **15 Years**

(Continued)

(21) Appl. No.: **29/841,052**

(22) Filed: **Jun. 2, 2022**

Primary Examiner — Khawaja Anwar
Assistant Examiner — Julice Seung Eun Oum
(74) *Attorney, Agent, or Firm* — Morgan, Lewis &
Bockius LLP

Related U.S. Application Data

(63) Continuation of application No. 29/730,897, filed on
Apr. 9, 2020, now Pat. No. Des. 958,386, which is a
continuation of application No. 29/681,204, filed on
Feb. 22, 2019, now Pat. No. Des. 914,113.

(57) **CLAIM**

The ornamental design for an exercise apparatus, as shown
and described.

(51) **LOC (14) Cl.** **21-02**

DESCRIPTION

(52) **U.S. Cl.**
USPC **D21/679**

(58) **Field of Classification Search**
USPC D21/685, 693, 698, 771, 773, 774, 753,
D21/756, 807, 692, 679, 686, 673, 681,
D21/682, 691, 694, 662, 797, 665, 683,
D21/684, 677; D24/190
See application file for complete search history.

FIG. 1 is a perspective view of an exercise apparatus
showing our new design;
FIG. 2 is a front view of the design of FIG. 1;
FIG. 3 is a back view of the design of FIG. 1;
FIG. 4 is a top view of the design of FIG. 1;
FIG. 5 is a bottom view of the design of FIG. 1;
FIG. 6 is a first side view of the design of FIG. 1;
FIG. 7 is a second side view of the design of FIG. 1; and,
FIG. 8 is a cross-sectional view taken along lines 8-8 of FIG.
7.

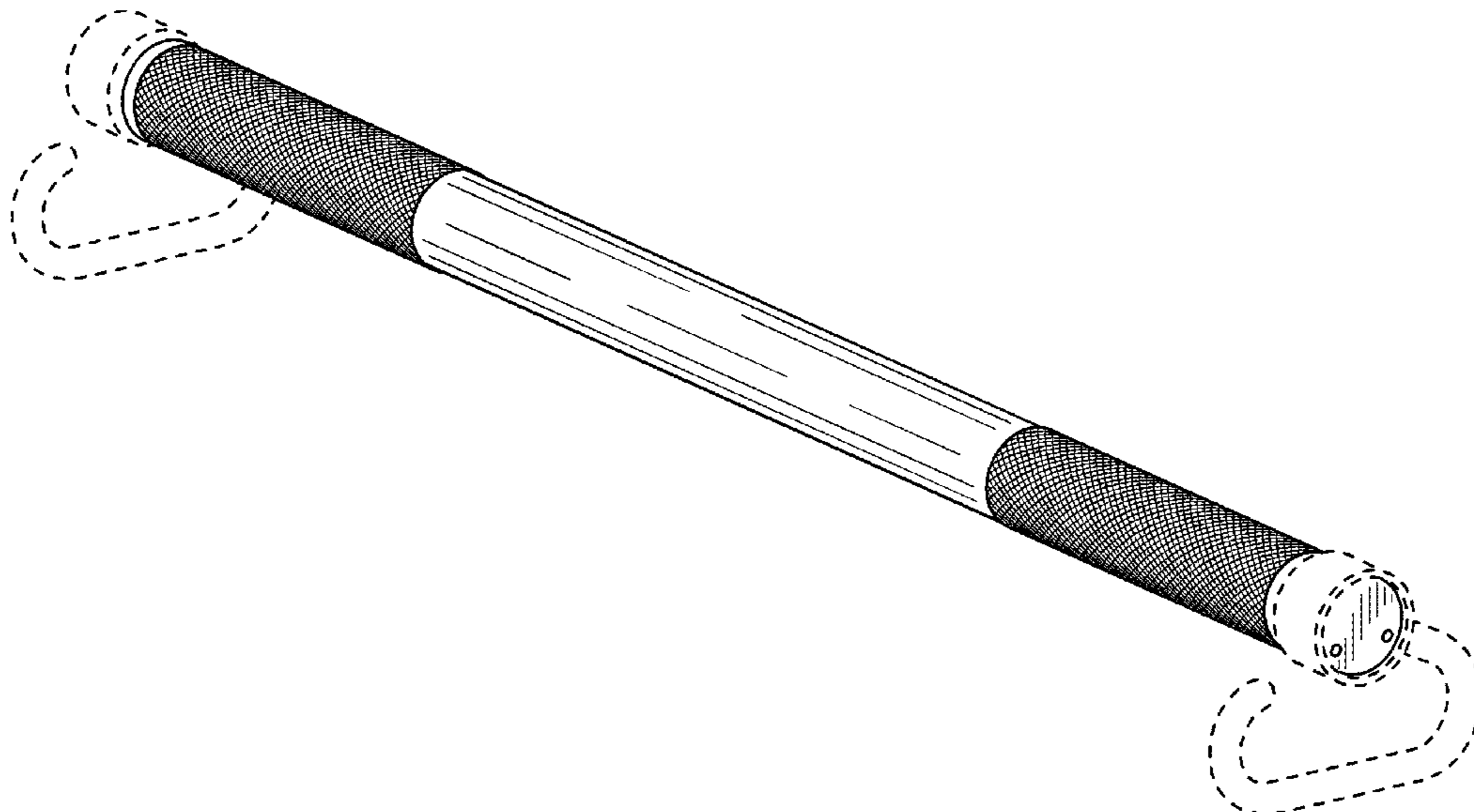
(56) **References Cited**

U.S. PATENT DOCUMENTS

1,019,861 A 3/1912 Titus
D162,337 S * 3/1951 O’Gatty D8/367
3,117,781 A 1/1964 Vargo

The broken lines shown in the figures are for the purpose of
illustrating portions of the exercise apparatus, which form
no part of the claimed design.

1 Claim, 7 Drawing Sheets



(56)

References Cited

U.S. PATENT DOCUMENTS

4,200,281 A 4/1980 Wang
 4,257,592 A 3/1981 Jones
 D263,327 S * 3/1982 Cooper D21/679
 4,441,707 A 4/1984 Bosch
 D287,283 S 12/1986 Johnson
 D289,538 S 4/1987 Wilson
 D309,933 S 8/1990 Brown, Jr.
 D320,428 S 10/1991 Rust
 D330,057 S 10/1992 Saunders
 D330,234 S 10/1992 Saunders
 D330,235 S 10/1992 Traetta
 5,154,678 A 10/1992 Adamczyk
 5,178,596 A 1/1993 McIntire
 5,197,934 A 3/1993 Wirtz
 5,213,554 A 5/1993 Goldstein
 D337,362 S 7/1993 Goldstein
 5,226,865 A 7/1993 Chin
 D339,179 S 9/1993 Wilkinson
 D339,619 S 9/1993 Bugnaski
 D342,298 S 12/1993 Schnabel, Jr.
 D342,771 S 12/1993 Tandberg
 D349,540 S 8/1994 Hand
 D353,419 S 12/1994 Sprague
 D353,637 S 12/1994 Huang
 5,472,390 A 12/1995 Faye
 D365,861 S 1/1996 Moss, Jr.
 D369,627 S * 5/1996 Thor D10/119.3
 5,514,058 A 5/1996 Buoni
 D371,176 S 6/1996 Furner
 5,540,642 A 7/1996 Sprague
 5,645,511 A 7/1997 Le Roux
 5,653,665 A 8/1997 Neeley
 5,688,213 A 11/1997 Recker
 D388,848 S * 1/1998 Sontz D21/679
 5,746,687 A 5/1998 Vial
 5,776,041 A 7/1998 Fisher
 5,885,196 A 3/1999 Gvoich
 D408,555 S 4/1999 Albrecht
 6,203,476 B1 3/2001 Wang et al.
 6,280,366 B1 8/2001 Hsieh
 D474,818 S 5/2003 Yu
 D482,748 S 11/2003 Flynt
 D495,379 S 8/2004 Dubus
 D519,172 S 4/2006 Penat
 7,052,449 B2 5/2006 Chen
 D526,367 S * 8/2006 Loccarini D21/679
 7,175,574 B2 2/2007 Carmel et al.
 D542,867 S 5/2007 Teruo
 D556,841 S 12/2007 Oates
 D564,604 S 3/2008 Mikail
 7,387,599 B1 6/2008 Hsu
 D583,883 S 12/2008 Thomas
 D590,457 S 4/2009 Mishan
 7,578,775 B2 8/2009 Terry
 7,601,101 B2 10/2009 Jackson
 D604,374 S 11/2009 Bizzell
 D610,638 S 2/2010 Friess
 D626,607 S 11/2010 Kim
 D633,155 S * 2/2011 Brun D21/679
 7,922,624 B1 4/2011 Fairhurst
 D655,356 S 3/2012 Sandman
 D657,008 S 4/2012 Markovic
 D670,345 S 11/2012 Guarrasi
 D680,599 S 4/2013 Orenstein
 D681,138 S 4/2013 Hodgkins
 D681,750 S 5/2013 Meyer-Hayoz
 D682,374 S 5/2013 Wilkinson
 D694,348 S 11/2013 Rankin
 D695,367 S 12/2013 Lovegrove
 8,870,722 B2 10/2014 Kassel
 D717,381 S 11/2014 Orenstein
 D723,637 S 3/2015 Mercado
 D724,163 S 3/2015 Kelley
 D733,226 S 6/2015 Abbate
 D739,481 S 9/2015 Glickfield

D748,744 S 2/2016 Hansen
 D748,745 S 2/2016 Hansen
 9,254,405 B1 2/2016 Black
 D764,607 S 8/2016 Beckford
 D778,374 S 2/2017 Jaquish
 D785,106 S 4/2017 Panes
 D785,731 S 5/2017 Stack
 D798,396 S * 9/2017 Agate D21/679
 D802,153 S 11/2017 Kelly
 D804,590 S 12/2017 Hillson
 D806,806 S 1/2018 Chen
 D825,696 S 8/2018 Mercenari Uribe
 D825,697 S 8/2018 Mercenari Uribe
 D834,115 S 11/2018 Gilbert
 D842,940 S 3/2019 Harden
 D849,857 S 5/2019 Tartell
 D853,505 S 7/2019 Toueg
 D854,635 S 7/2019 Dunahay
 D855,718 S 8/2019 Hsu
 D864,316 S 10/2019 Brown
 D865,084 S 10/2019 Croxton
 D875,194 S 2/2020 Zhou
 10,744,363 B1 8/2020 Jaquish
 D902,834 S 11/2020 Kern
 D919,019 S 5/2021 Jaquish
 D921,134 S 6/2021 Jaquish
 D925,666 S 7/2021 Jaquish
 D932,569 S * 10/2021 Joung D21/679
 D934,355 S * 10/2021 Behar D21/679
 D934,356 S * 10/2021 Behar D21/679
 2002/0137609 A1 9/2002 Rosati
 2005/0101453 A1 5/2005 Jeneve
 2005/0239617 A1 10/2005 Tenaglia
 2006/0128540 A1 6/2006 Engle
 2007/0207903 A1 9/2007 Csabai
 2007/0207905 A1 9/2007 Winston
 2009/0093349 A1 4/2009 Cooper
 2010/0227747 A1 * 9/2010 Cook A63B 21/4035
 482/112
 2011/0207583 A1 8/2011 Elpers
 2011/0256987 A1 10/2011 Lepore
 2014/0228180 A1 8/2014 Walker
 2014/0287889 A1 * 9/2014 Grace A63B 21/0783
 482/106
 2014/0336019 A1 11/2014 Vilella
 2015/0367159 A1 12/2015 Harris
 2016/0199689 A1 7/2016 Irwin
 2017/0080284 A1 3/2017 Hillson
 2018/0236299 A1 8/2018 Warriner
 2019/0069650 A1 3/2019 Walker
 2019/0217147 A1 7/2019 Garcia
 2020/0269080 A1 * 8/2020 Jaquish A63B 21/00065

OTHER PUBLICATIONS

Bryant, announced 2022 [online], [site visited Jul. 22, 2022]. Available on internet, URL: [https://www.amazon.com/Bryant-Resistance-Exercise-Strength-Equipment/dp/B0B1PLXDZ8/ref\(Year: 2022\).](https://www.amazon.com/Bryant-Resistance-Exercise-Strength-Equipment/dp/B0B1PLXDZ8/ref(Year: 2022).)*
 Inonix, announced 2021 [online], [site visited Jul. 22, 2022]. Available on internet, URL: [https://www.amazon.com/INONIX-Resistance-Workout-Exercise-Deadlift/dp/B09MFB8ZRJ/ref\(Year: 2021\).](https://www.amazon.com/INONIX-Resistance-Workout-Exercise-Deadlift/dp/B09MFB8ZRJ/ref(Year: 2021).)*
 International Design Application No. 35/001,051, filed Jul. 15, 2015.
 U.S. Appl. No. 29/515,595, filed May 7, 2020.
 U.S. Appl. No. 29/733,956, filed May 7, 2020.
 U.S. Appl. No. 29/733,965, filed May 7, 2020.
 U.S. Appl. No. 29/734,014, filed May 8, 2020.
 U.S. Appl. No. 29/734,015, filed May 8, 2020.
 U.S. Appl. No. 29/734,055, filed May 8, 2020.
 U.S. Appl. No. 29/734,056, filed May 8, 2020.
 U.S. Appl. No. 29/734,057, filed May 8, 2020.
 U.S. Appl. No. 29/734,091, filed May 8, 2020.
 U.S. Appl. No. 29/734,092, filed May 8, 2020.
 U.S. Appl. No. 29/681,204, filed Feb. 22, 2019.

(56)

References Cited

OTHER PUBLICATIONS

U.S. Appl. No. 29/721,688, filed Jan. 22, 2020.
U.S. Appl. No. 29/721,690, filed Jan. 22, 2020.
U.S. Appl. No. 29/730,874, filed Apr. 9, 2020.
U.S. Appl. No. 29/730,876, filed Apr. 9, 2020.
U.S. Appl. No. 29/730,897, filed Apr. 9, 2020.
U.S. Appl. No. 29/712,411, filed Nov. 7, 2019.
GoFit bar, announced 2016 [online], [site visited May 3, 2021]. Available on internet:[https://www.amazon.com/Go Fit-RAB-Resistance-Traini ng-Bar/dp/B01MTM7 N 97/ref=sr131?dchild=1 &keywords=exercise+bar+with+hook&qid=1619657583&s=sporting-goods&sr=1-31](https://www.amazon.com/Go-Fit-RAB-Resistance-Training-Bar/dp/B01MTM7N97/ref=sr131?dchild=1&keywords=exercise+bar+with+hook&qid=1619657583&s=sporting-goods&sr=1-31) (Year: 2016).
Jaquishbiomedical, “GH Accelerator”, Nov. 13, 2019. <https://www.jaquishbionmedical.com/products/gh-accelerator/#reviews>. Shown on p. 1. (Year: 2019).
Jaquishbiomedical, “X Bar Elite”, Apr. 20, 2020. <https://www.jaquishbiomedical.com/products/>. Shown on p. 1. (Year 2020).
Youtube, “Introducing the GHAccelerator”, Nov. 12, 2018. <https://www.youtube.com/watch?v=IL-CahGcpO1>. Shown at the 2:00 minute mark. (Year: 2018).

* cited by examiner

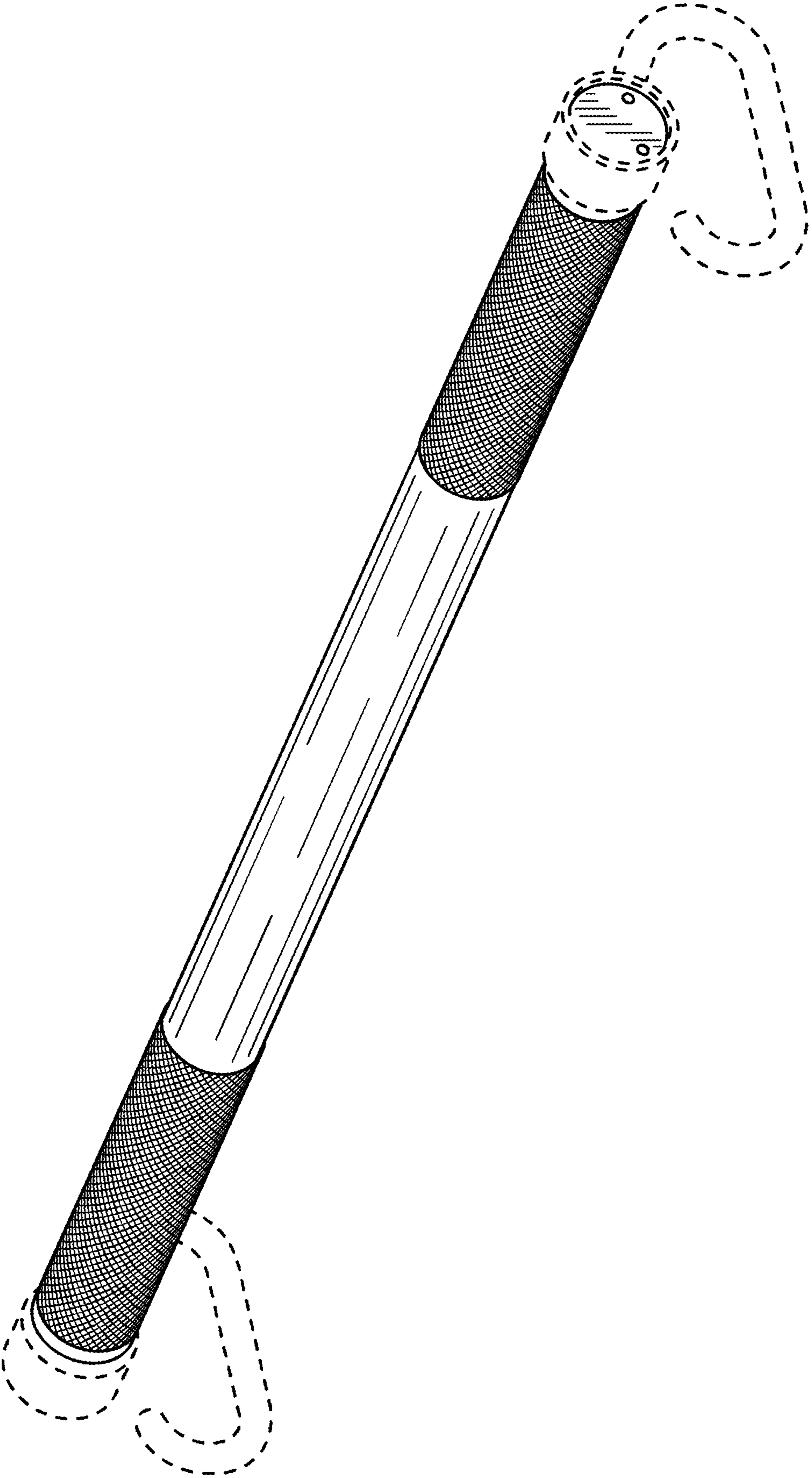


FIG. 1

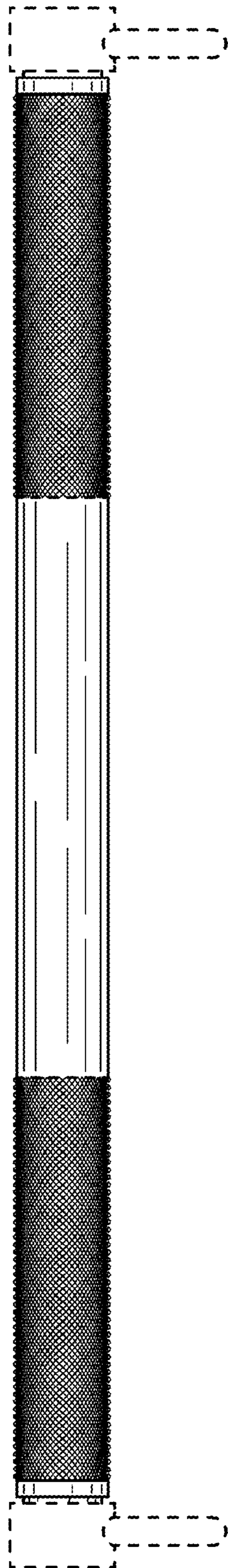


FIG. 2

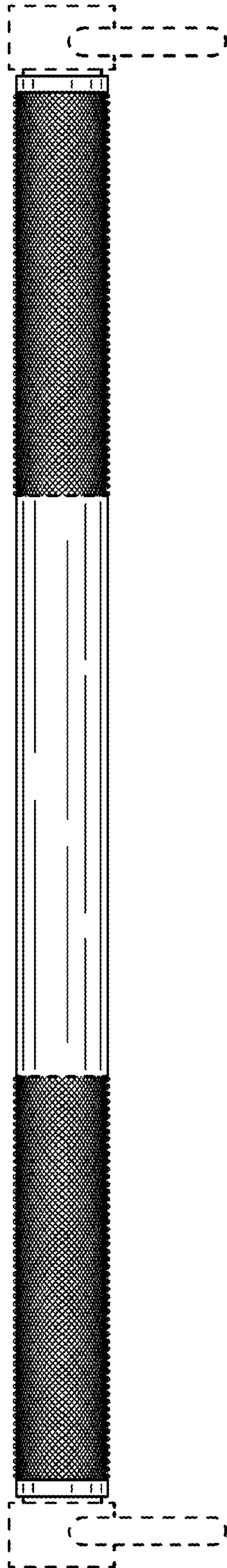


FIG. 3

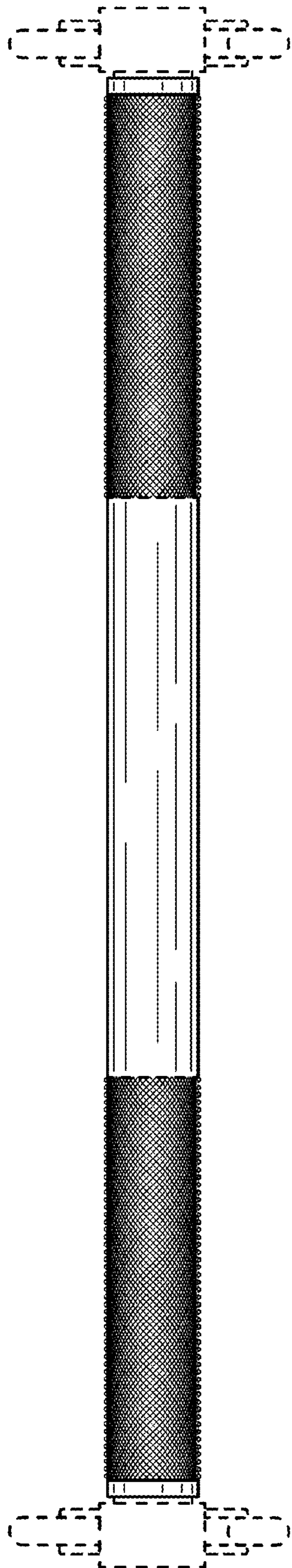


FIG. 4

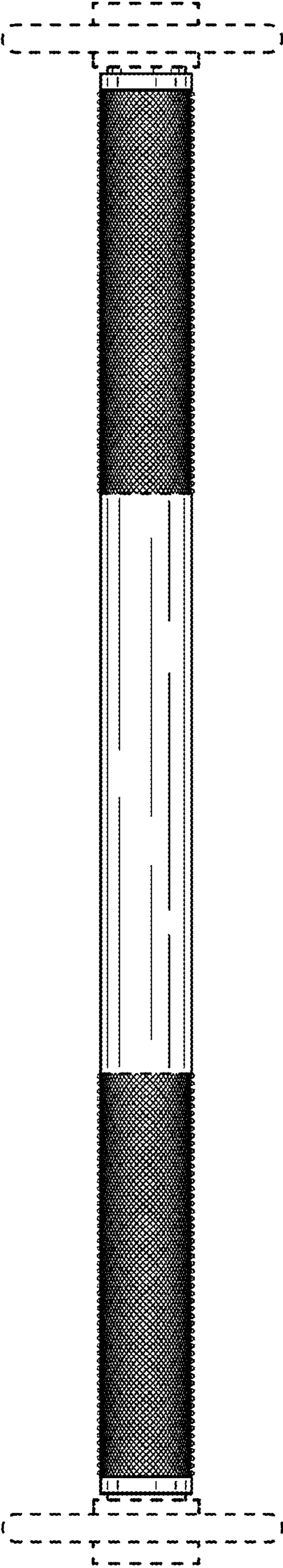


FIG. 5

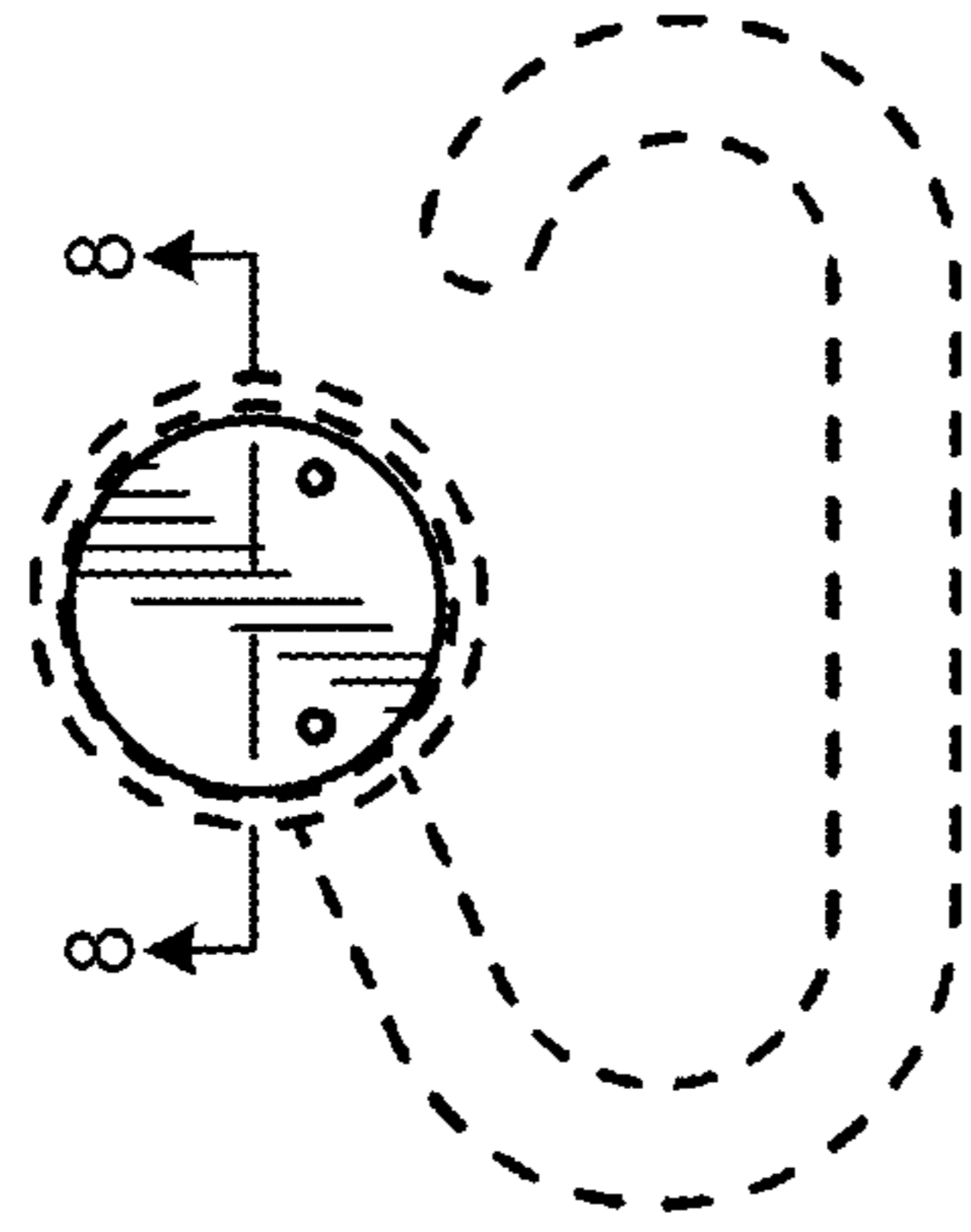


FIG. 6

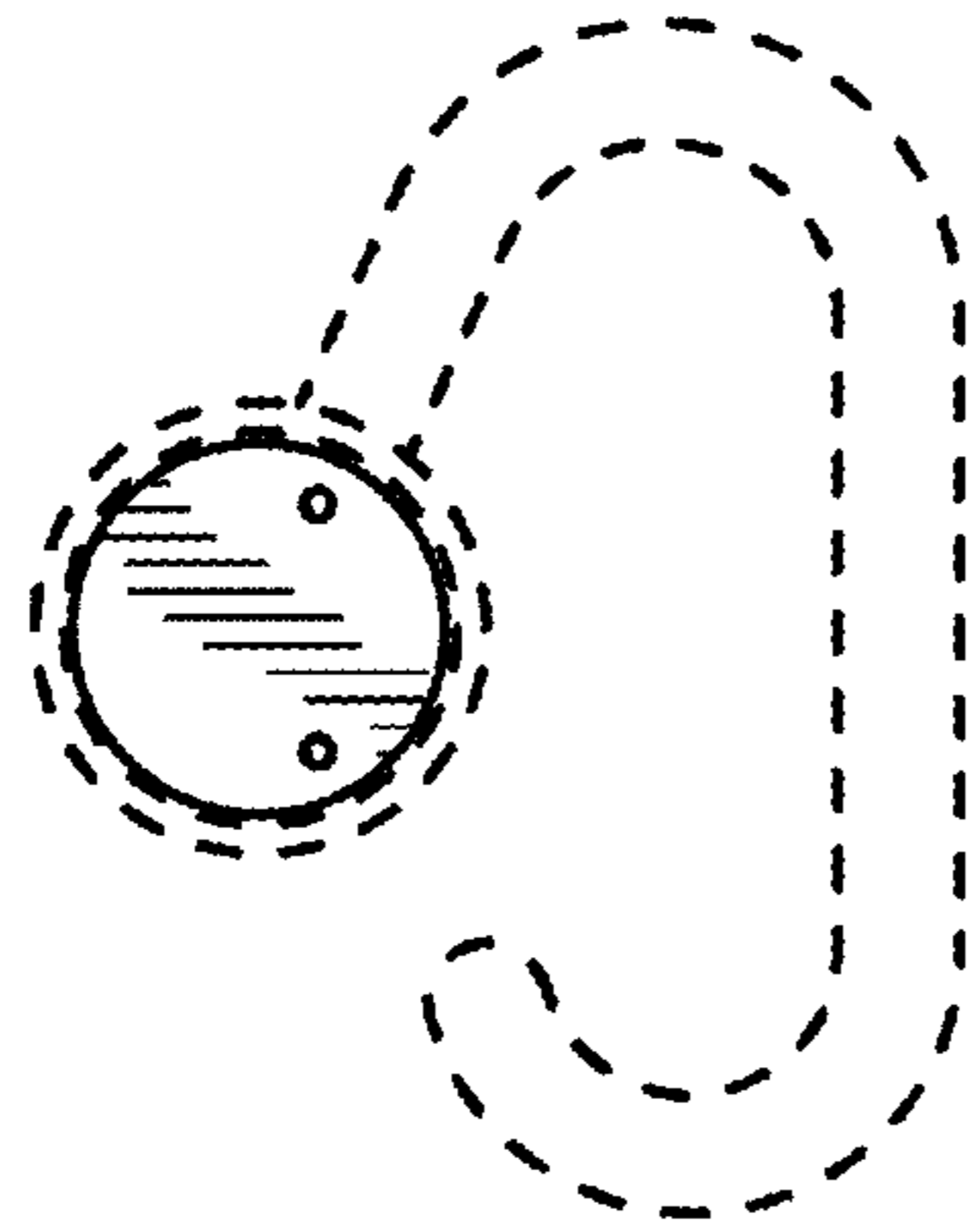


FIG. 7

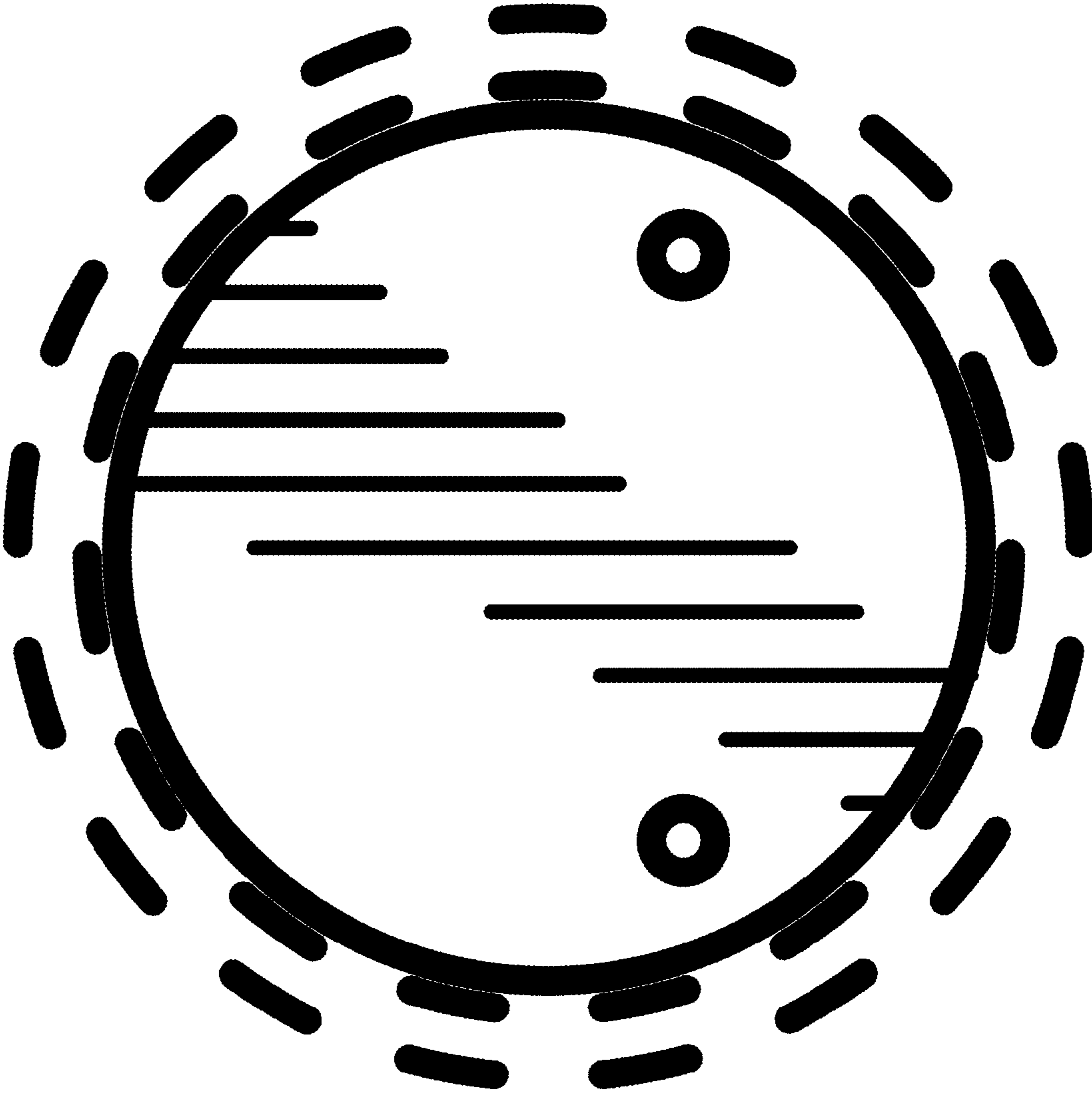


FIG. 8